

GTB LE

1:8 SCALE 4WD ELECTRIC TOURINGCAR



Team

Notice

Thank you for purchasing this GT8LE Touring Car by Team C. This manual shows instructions and tips to built and maintain your GT8LE. Please take some time to read through to get familiar with the shown steps.

We continually improve our products, due to that, actual parts may be different to the illustrations. Please check our website for the latest versions manuals and tips before you start to built this model.

This manual is written in english language only. If you need a manual in your language please visit our website or contact your distributor!

Diese Anleitung wurde in englischer Sprache verfasst. Sollten sie eine Anleitung in ihrer Sprache benötigen, besuchen sie unsere website oder kontaktieren sie ihren Vertriebsagenten.

Questo manuale è stato scritto in inglese. Se avete bisogno del manuale nella tua lingua, si prega di visitare il nostro sito web o contattate il proprio distributore.

Este manual está escrito en Inglés. Si necesita el manual en su idioma, por favor visite nuestro sitio web o contacte con su distribuidor.

Ce manuel est écrit en langue anglaise. Si vous avez besoin d'un manuel dans votre langue s'il vous plaît visitez notre site web ou contactez votre distributeur!

Deze handleiding is geschreven in het Engels taal beschikbaar. Als u een handleiding in uw eigen taal kunt u terecht op onze website of neem contact op met uw distributeur!

General Information

THIS IS NOT A TOY!

Not suitable for children under 14 years of age without adult supervision.

This is a high performance vehicle, for safety reason don't run on public streets, in crowded areas, environmentally areas or near children or animals.

This model contains rotating parts and parts which become hot during operation. Care must be taken to avoid damage or injuries.

This product may require some assembly and routine maintenance.

This product is covered by warranty based on material defectives. Crash damage or maintenance failures are not covered under warranty.

Batteries should be used in good condition only, and need to be fully charged.

Nitro models should be driven outside of buildings only. Inhaling exhaust gases could cause health damage.

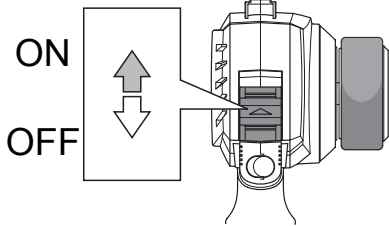
Keep chemicals stored out of the range of small children.

Make sure your model and equipment is in perfect condition before you use it, to ensure safety and fun while driving.

Transmitter Preparation

调整遥控器

Power Switch
电源



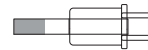
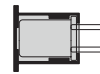
Antenna
天线

Extend the antenna to the maximum Length for best performance
天线拉的越长性能越好

27MHz Transmitter Crystal (TX)
27MHz 发射机晶片 (TX)

Transmitter crystal (TX)
发射机晶片

Receiver crystal (RX)
接收机晶片




The crystal can be replaced to change frequencies.
Note: You must also change receiver crystals!
Do not use AM crystals

更换晶片可以改变频率
注意：你也必须改变接收机晶片！

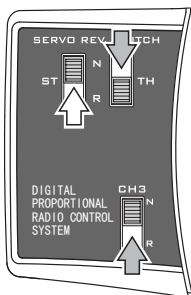
Battery Level Indicator
电池标准指示灯

 Good Batteries
标准的电池

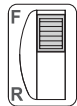
 Low Batteries (Light Blinks)
低电的电池 (电灯闪烁)

Reverse Switch
反向开关

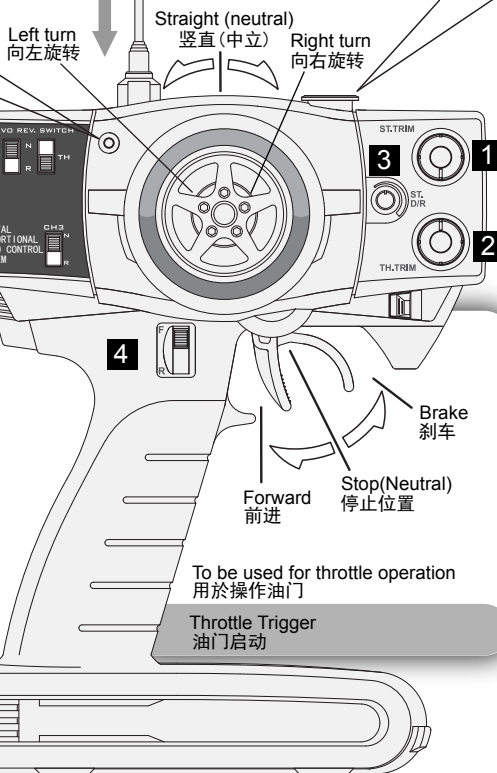
! Servo Factory Settings
! 工厂安装 (当转向/油门反向时调整用)



4 3ch Switch
第三动作开关



This switch is used for optional parts.
这个开关用于选择部分



1 Steering Trim
方向调整



To be used for trimming the steering operation
用于调整转向中立点

2 Throttle Trim
油门/后退 (刹车) 调整



To be used for trimming the throttle operation
用于调整油门中立点

3 Steering Dual Rate
转向舵角量



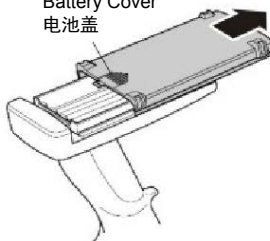
To be used to adjust steering servo throw
用来调整转向伺服

Transmitter Battery Installation
遥控器电池安装

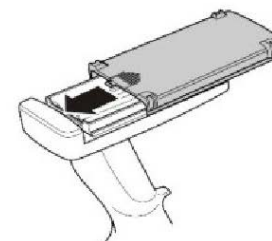
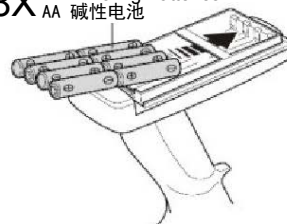
Open battery cover at the bottom of transmitter.
Install batteries. Follow the direction of batteries
designated in the inside of battery box.

在遥控器的底部打开电池盖子，安装电池。
跟随电池的指示在电池盒里面指定

Battery Cover
电池盖



8X AA Alkaling Batteries
AA 碱性电池

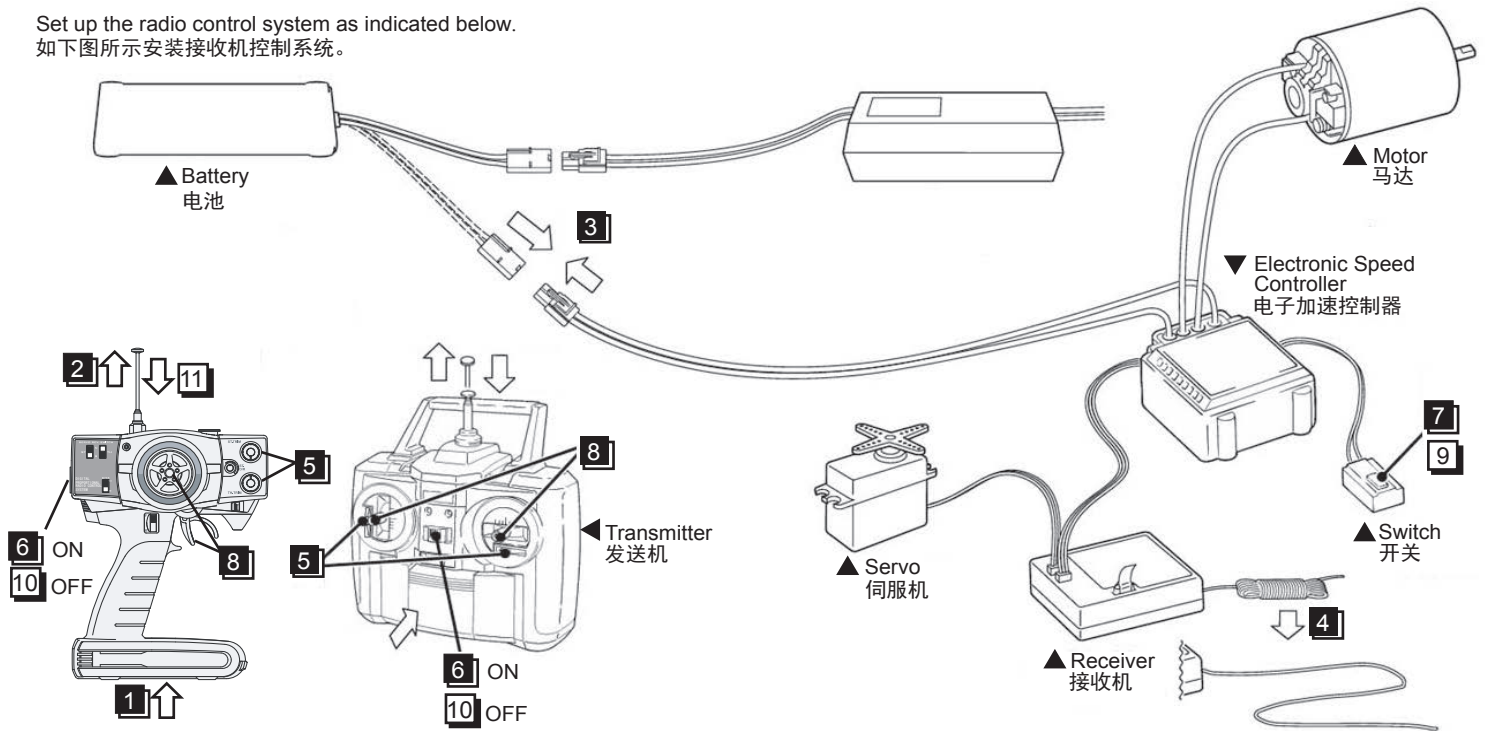


Transmitter Preparation

调整遥控器

A new Ni-MH battery must be charged before it is used. Refer to the charger instruction manual for charging.
 在使用之前，一个新电池必须先充电。详情请参考充电器说明书。

Set up the radio control system as indicated below.
 如下图所示安装接收机控制系统。



● Start

- 1 Install batteries.(Transmitter)
- 2 Extend the antenna.(Transmitter)
- 3 Connect the battery
- 4 Extend the antenna.(Receiver)
- 5 Center the trims.
- 6 Switch on.(Transmitter)
- 7 Switch on.(Receiver)
- 8 Make sure the servos are in command.

● Finish

- 9 Switch off.(Receiver)
- 10 Switch off.(Transmitter)
- 11 Retract the antenna(Transmitter)

● 开始

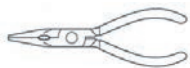
- 1 安装电池(发送机)
- 2 拉出天线(发送机)
- 3 连接电池
- 4 拉出天线(接收机)
- 5 中心对整齐
- 6 开关(发送机)
- 7 开关(接收机)
- 8 确定控制伺服机

● 结束

- 9 关闭开关(接收机)
- 10 关闭开关(发送机)
- 11 收回天线(发送机)

Tools required 组装需要的工具

- Needle Nose Pliers
尖嘴钳



- Awl
锥



- Grease
润滑油



- Screw Cement
螺丝胶水



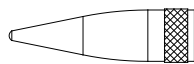
- H162
Instant Glue
瞬间胶水



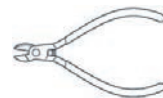
- Differential Grease
差速油



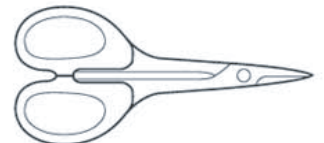
- H154
Body Reamer
车壳绞刀



- Wire Cutters
钢丝钳



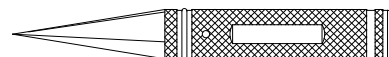
- H096
ROUND CUTTER
剪刀



- Hex Wrench
六角扳手



- Hex Wrench
十字套筒



- Sharp Hobby knife
美工刀

No need to pre-drill precise holes
 (1mm to 15mm) can be drilled
 可以对预钻的孔准确的钻1mm-15mm



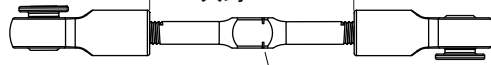
For trimming bodies!
 用于修剪车壳!

1 Servo Saver Turnbuckle
伺服拉杆

Bag-A

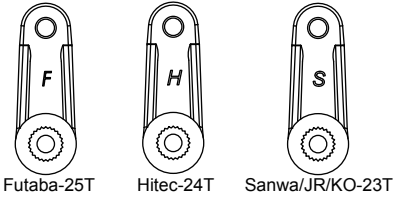
1:1

Approx. 27mm
大约27mm

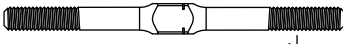


▲ Projection. Note direction
注意方向

Select the servo horn matching the servo being used.
根据伺服机选择伺服臂

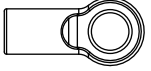


TG8019 3x45 Turnbuckle
3x45 拉杆



.....1

T08760 5.8 Ball End
5.8 球头座



.....2

T08759 5.8 Ball stud
5.8 球头



.....2

T08666 M3 Nylon Nut
M3 尼龙螺母

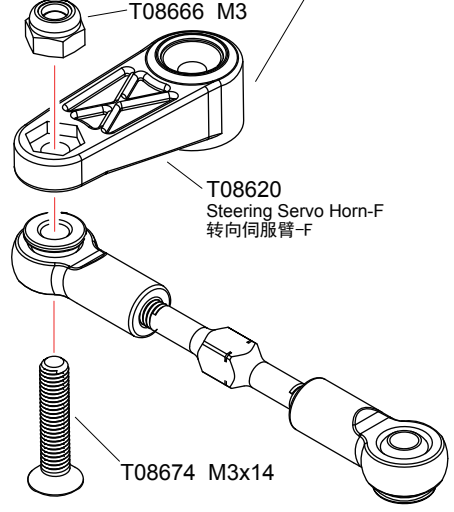
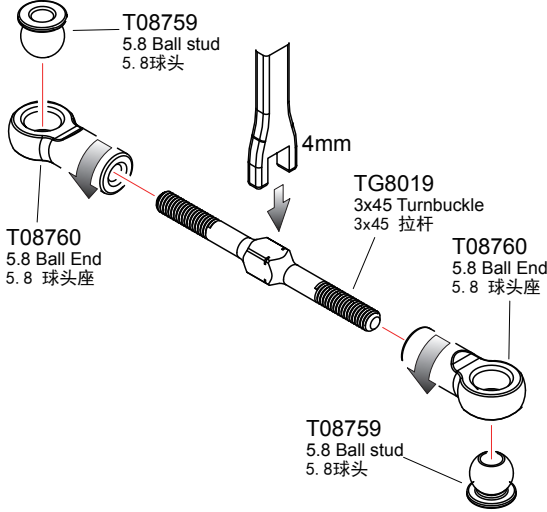


.....1

T08674 M3x14 Screw
M3x14 螺丝



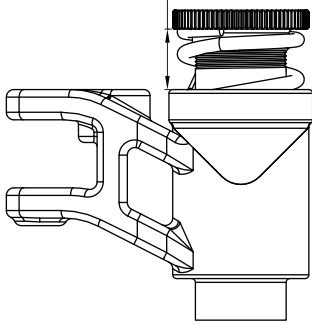
.....1



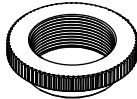
2 Buffer
缓冲

Bag-A

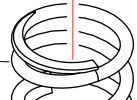
Approx. 8mm
大约8mm



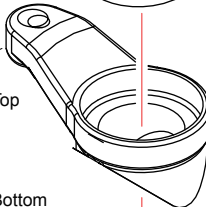
T08650 Servo Saver Nut
缓冲螺母



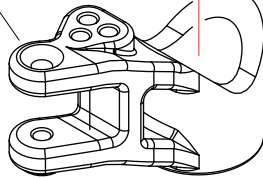
T08650 Servo Saver Spring
缓冲弹簧



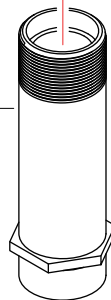
T08762 Servo Saver-Top
缓冲座-上



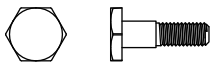
T08762 Servo Saver-Bottom
缓冲座-下



T08650 Servo Saver Body
缓冲筒身



T08651 Buffer Screw
缓冲螺丝



.....2

T02081 3x7x0.8 Washer
3x7x0.8 垫片



.....2

T08666 M3 Nylon Nut
M3 尼龙螺母

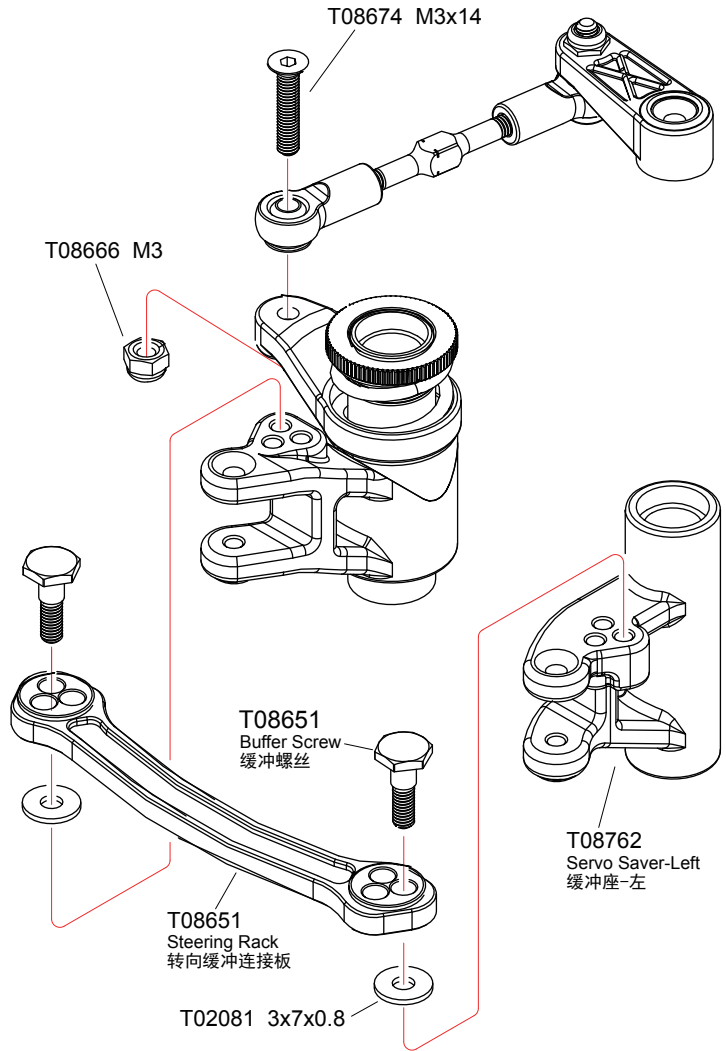


.....1

T08674 M3x14 Screw
M3x14 螺丝

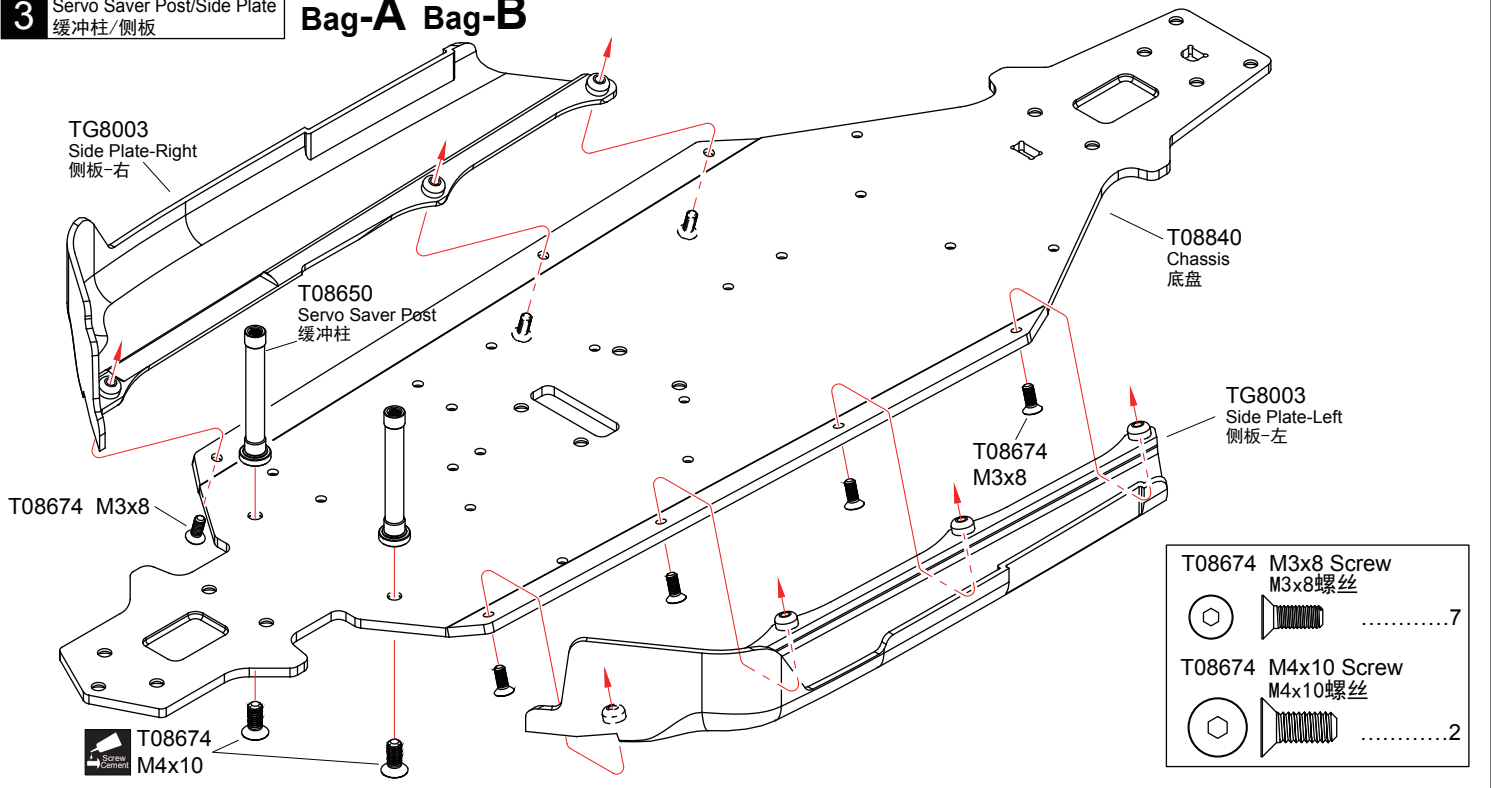


.....1



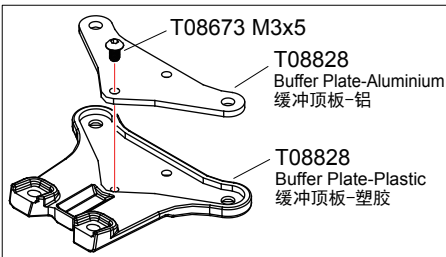
3 Servo Saver Post/Side Plate
缓冲柱/侧板

Bag-A Bag-B

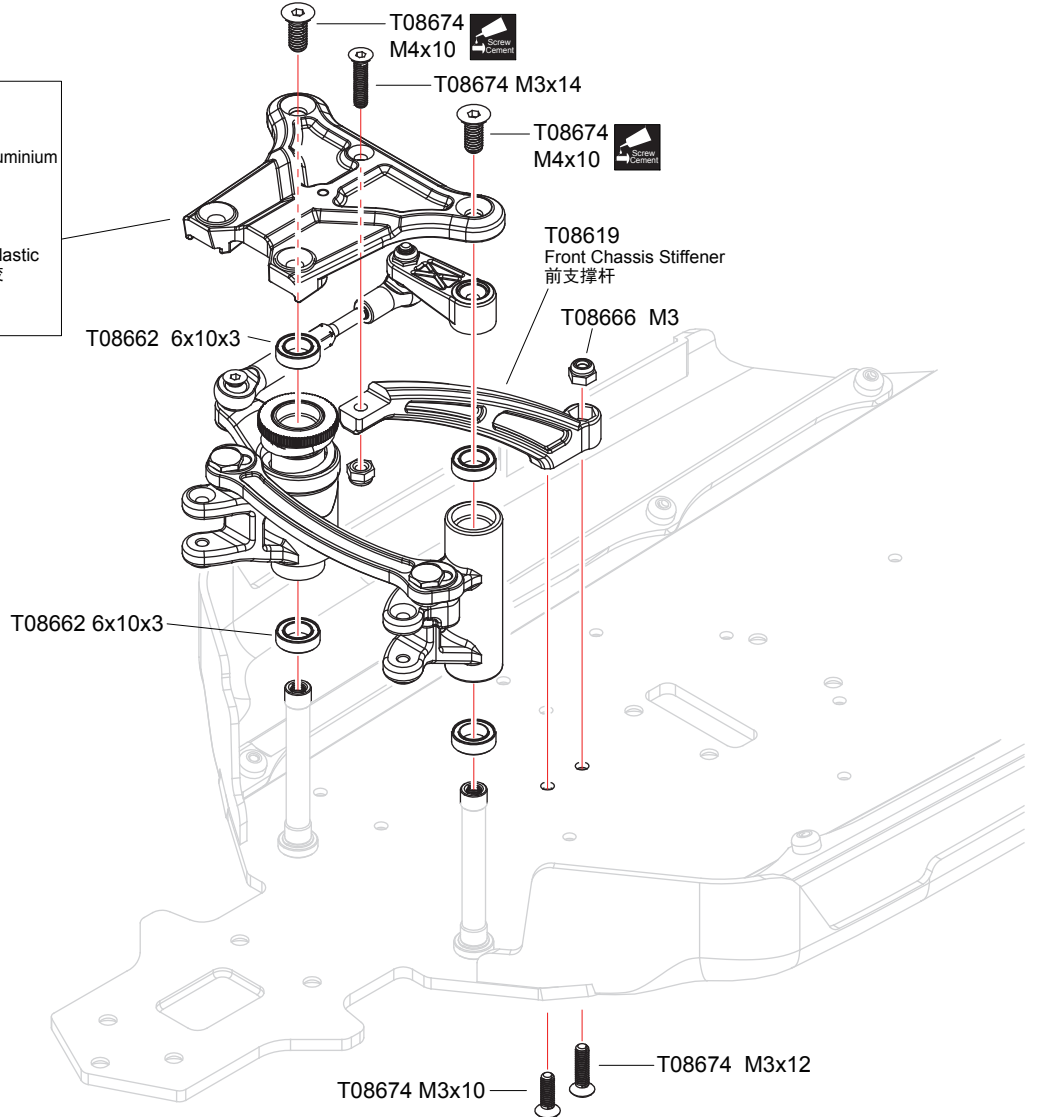


4 Buffer
缓冲

Bag-A



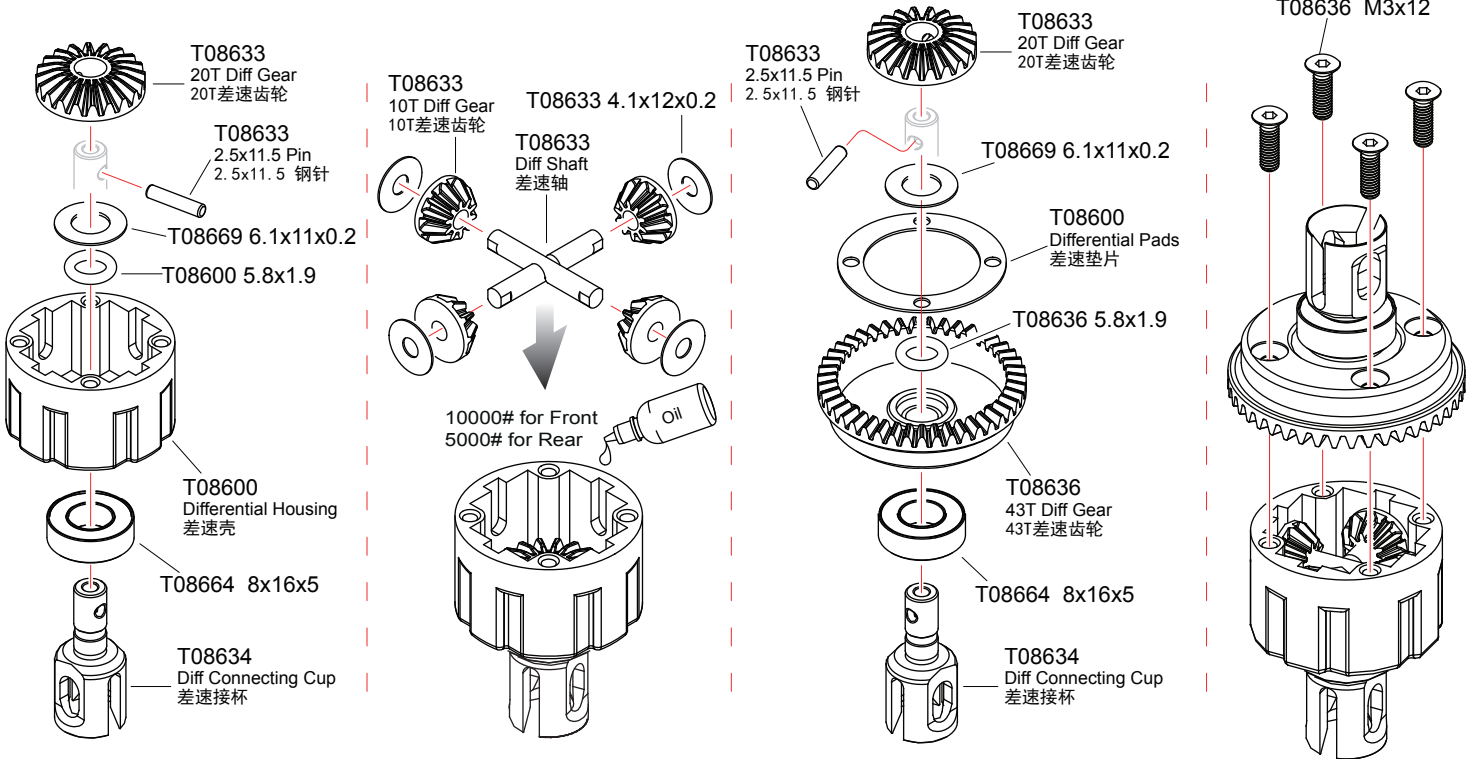
- | | |
|-----------------------------------------|--------|
| T08673 M3x5 Screw
M3x5 螺丝 |1 |
| T08674 M3x10 Screw
M3x10 螺丝 |1 |
| T08674 M3x12 Screw
M3x12 螺丝 |1 |
| T08674 M3x14 Screw
M3x14 螺丝 |1 |
| T08674 M4x10 Screw
M4x10 螺丝 |2 |
| T08662 6x10x3 Ball Bearing
6x10x3 轴承 |4 |
| T08666 M3 Nylon Nut
M3 尼龙螺母 |2 |



Apply threadlocker(screw cement)
打螺丝胶水

5 Front/Rear Differential
前/后差速器

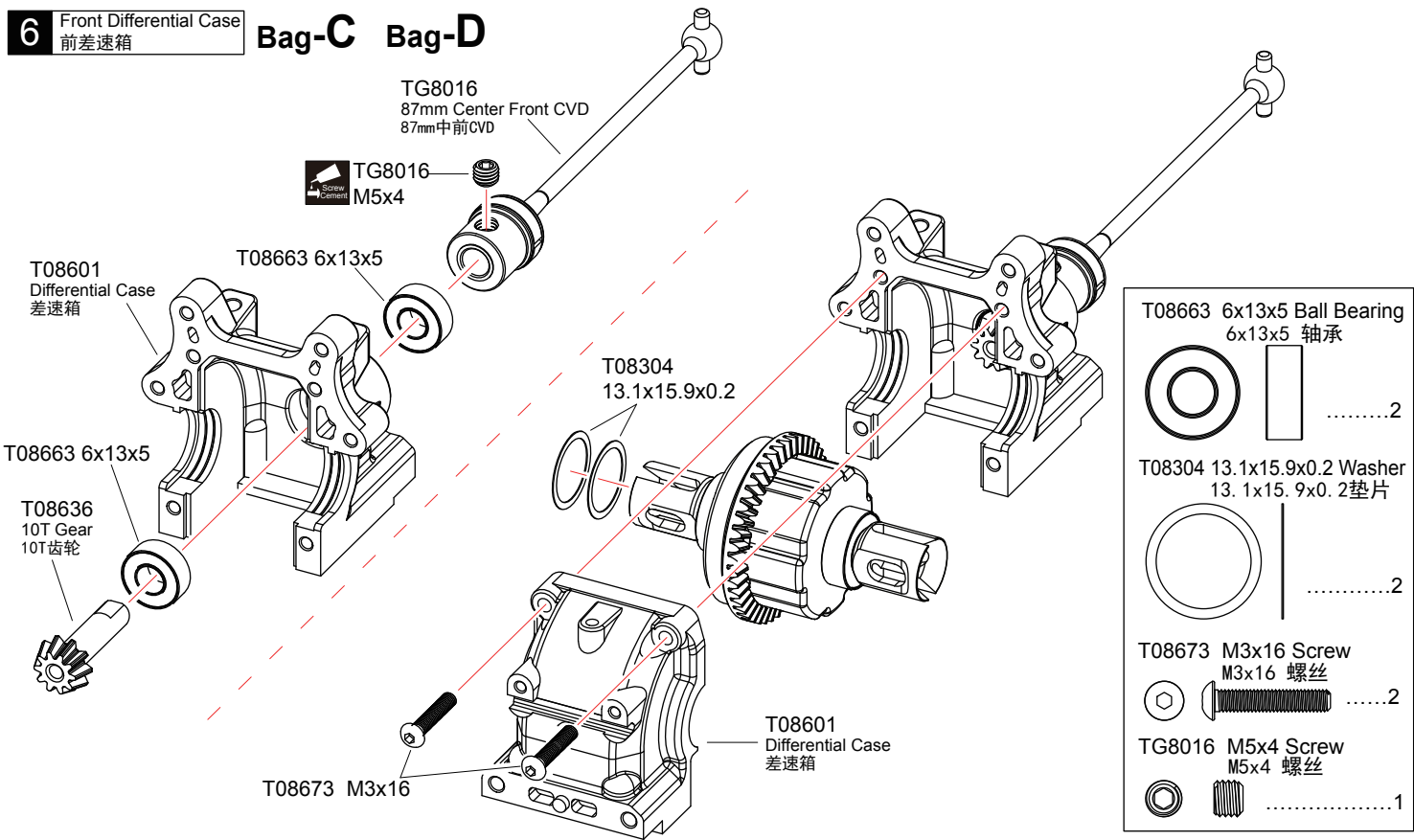
x2 Bag-C



T08600/T08636 5.8x1.9 O-Ring 5.8x1.9 O环	T08633 4.1x12x0.2 Washer 4.1x12x0.2垫片	T08669 6.1x11x0.2 Washer 6.1x11x0.2垫片	T08664 8x16x5 Ball Bearing 8x16x5 轴承	T08636 M3x12 Screw M3x12螺丝
.....
4	8	4	4	8

6 Front Differential Case
前差速箱

Bag-C **Bag-D**

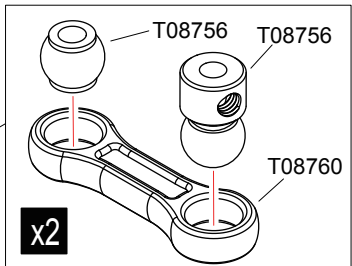
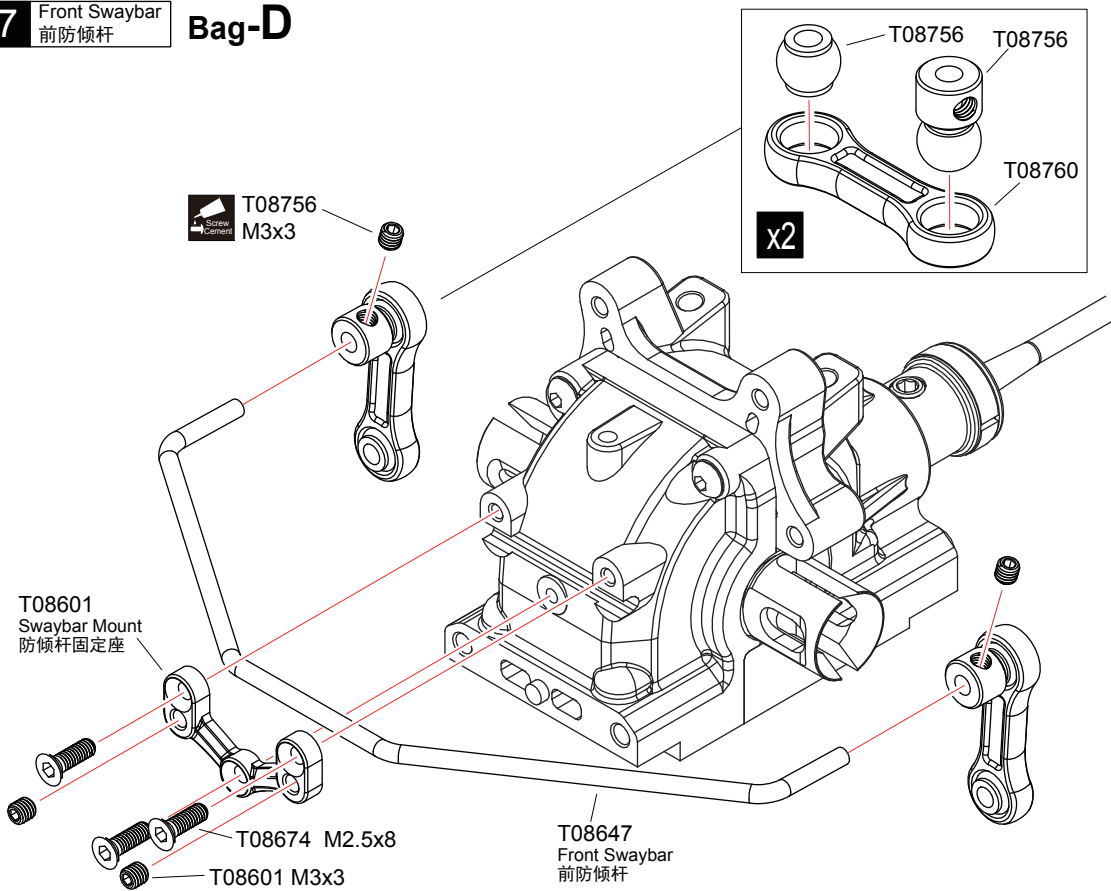


T08663 6x13x5 Ball Bearing 6x13x5 轴承	T08304 13.1x15.9x0.2 Washer 13.1x15.9x0.2垫片	T08673 M3x16 Screw M3x16 螺丝	TG8016 M5x4 Screw M5x4 螺丝
.....
2	2	2	1

Apply threadlocker(screw cement)
打螺丝胶

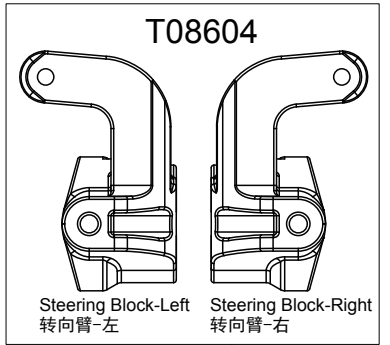
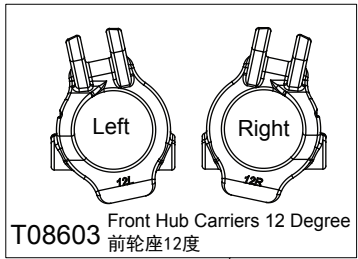
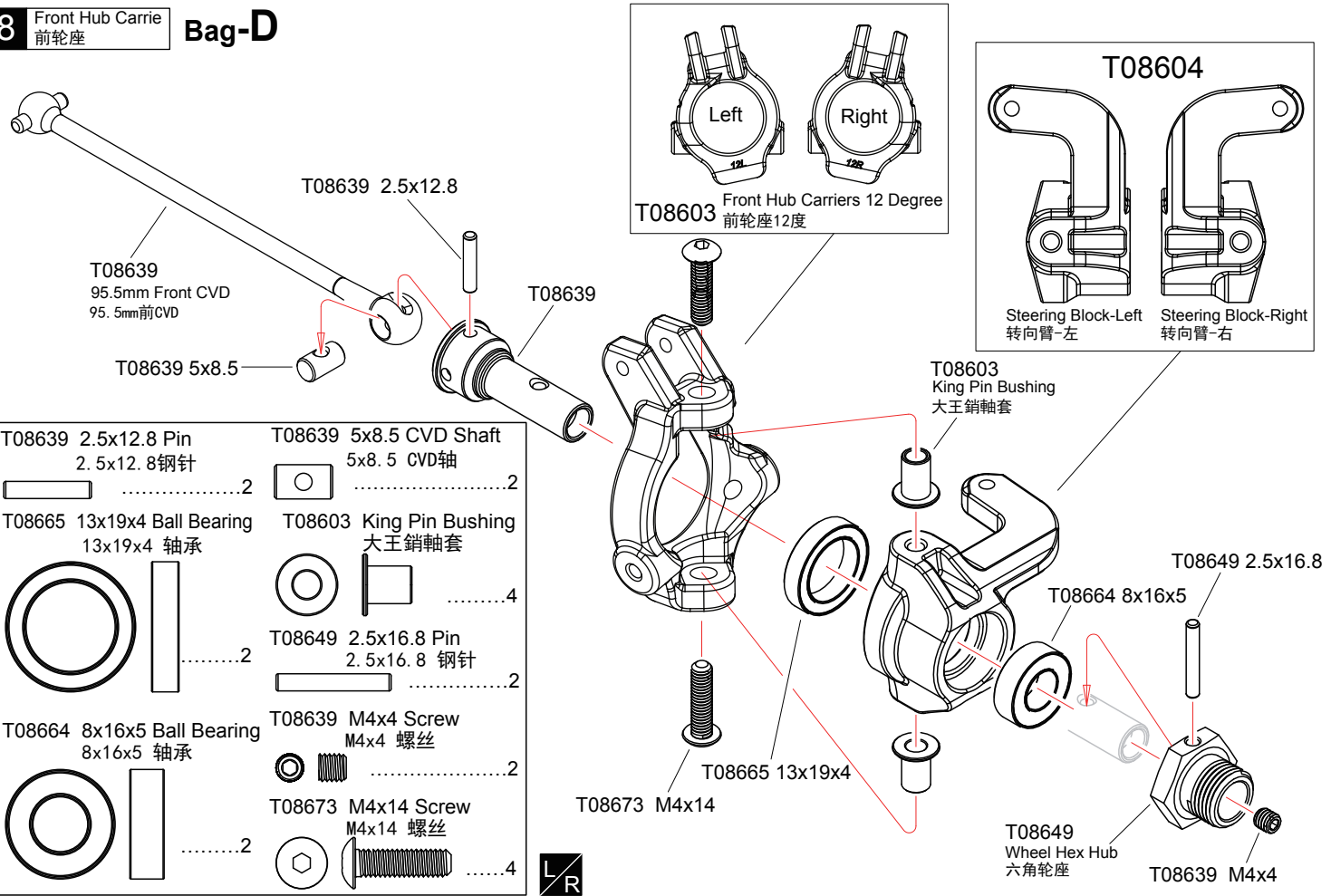
x2 Assemble as many times as specified
需组装数量

7 Front Swaybar 前防倾杆 Bag-D



T08674	M2.5x8 Screw M2.5x8螺丝	3
T08601/T08756	M3x3 Screw M3x3螺丝	4
T08756	6.8 Ball stud 6.8球头	2
T08755	6.8 Ball stud 6.8球头	2
T08760	6.8 Ball End 6.8球头座	2

8 Front Hub Carrie 前轮座 Bag-D



T08639	2.5x12.8 Pin 2.5x12.8钢针	2
T08665	13x19x4 Ball Bearing 13x19x4 轴承	2
T08664	8x16x5 Ball Bearing 8x16x5 轴承	2
T08639	5x8.5 CVD Shaft 5x8.5 CVD轴	2
T08603	King Pin Bushing 大王销轴套	4
T08649	2.5x16.8 Pin 2.5x16.8 钢针	2
T08639	M4x4 Screw M4x4 螺丝	2
T08673	M4x14 Screw M4x14 螺丝	4



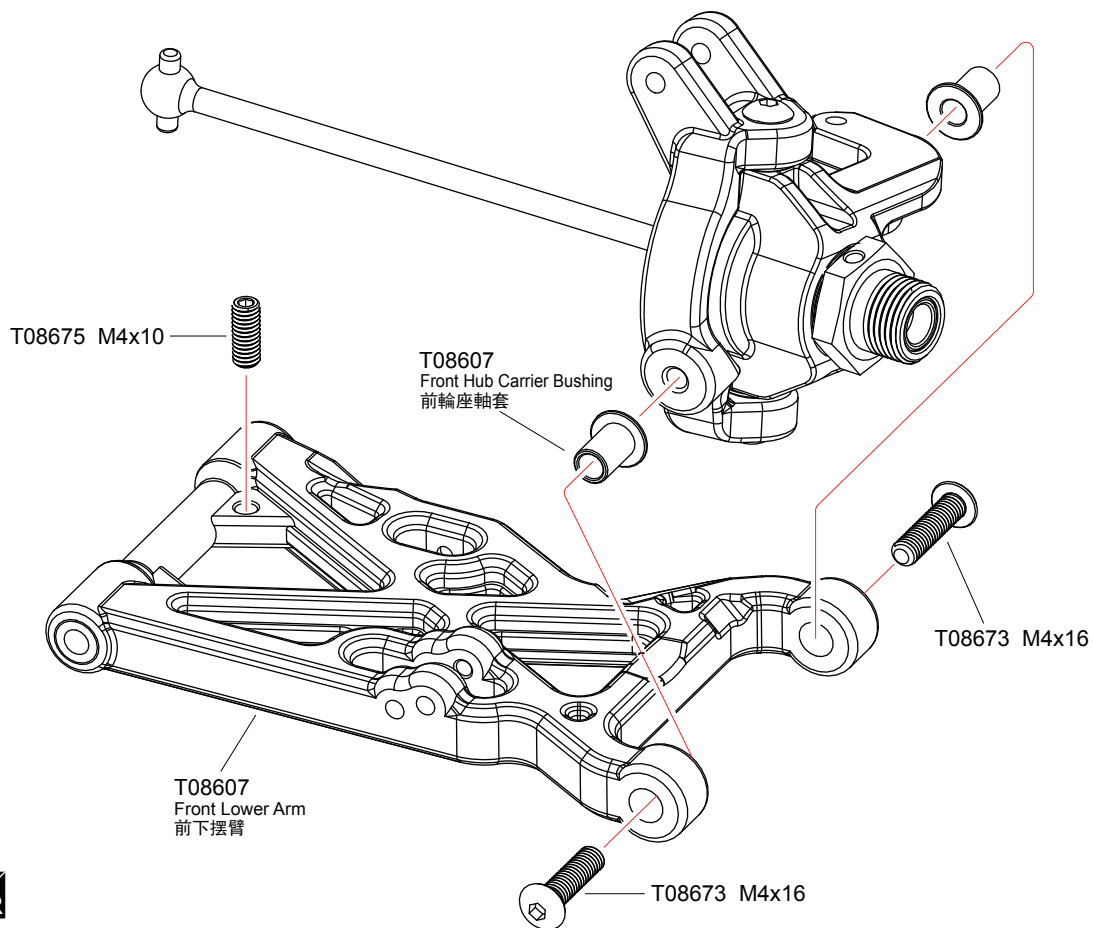
Apply threadlocker(screw cement)
打螺丝胶

x2 Assemble as many times as specified
需组装数量

Assemble both Left and Right
组装左和右

9 Front Hub Carri
前轮座

Bag-D

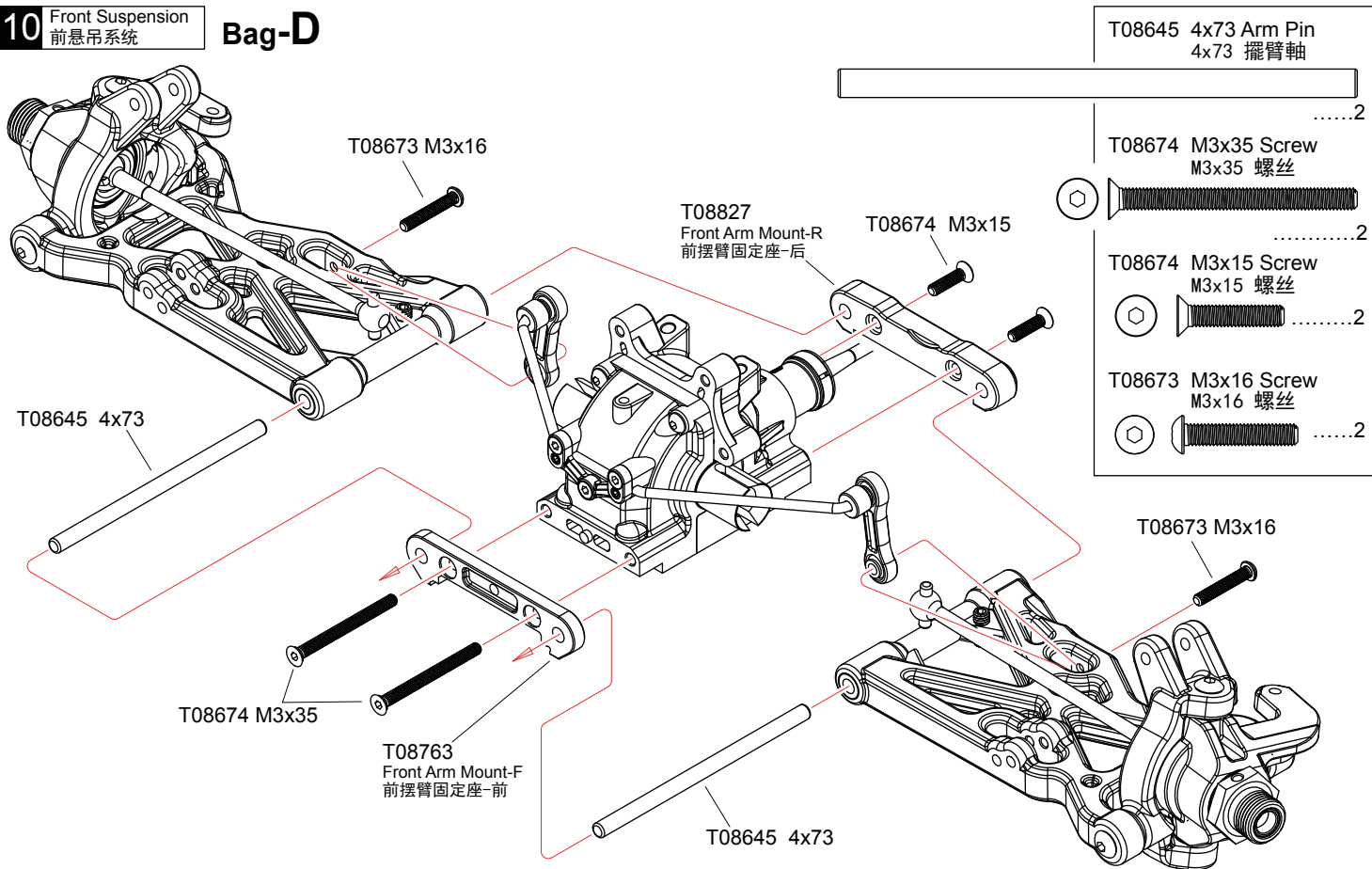


- T08675 M4x10 Screw
M4x10 螺丝2
- T08607 Front Hub Carrier Bushing
前轮座轴套4
- T08673 M4x16 Screw
M4x16 螺丝4



10 Front Suspension
前悬吊系统

Bag-D

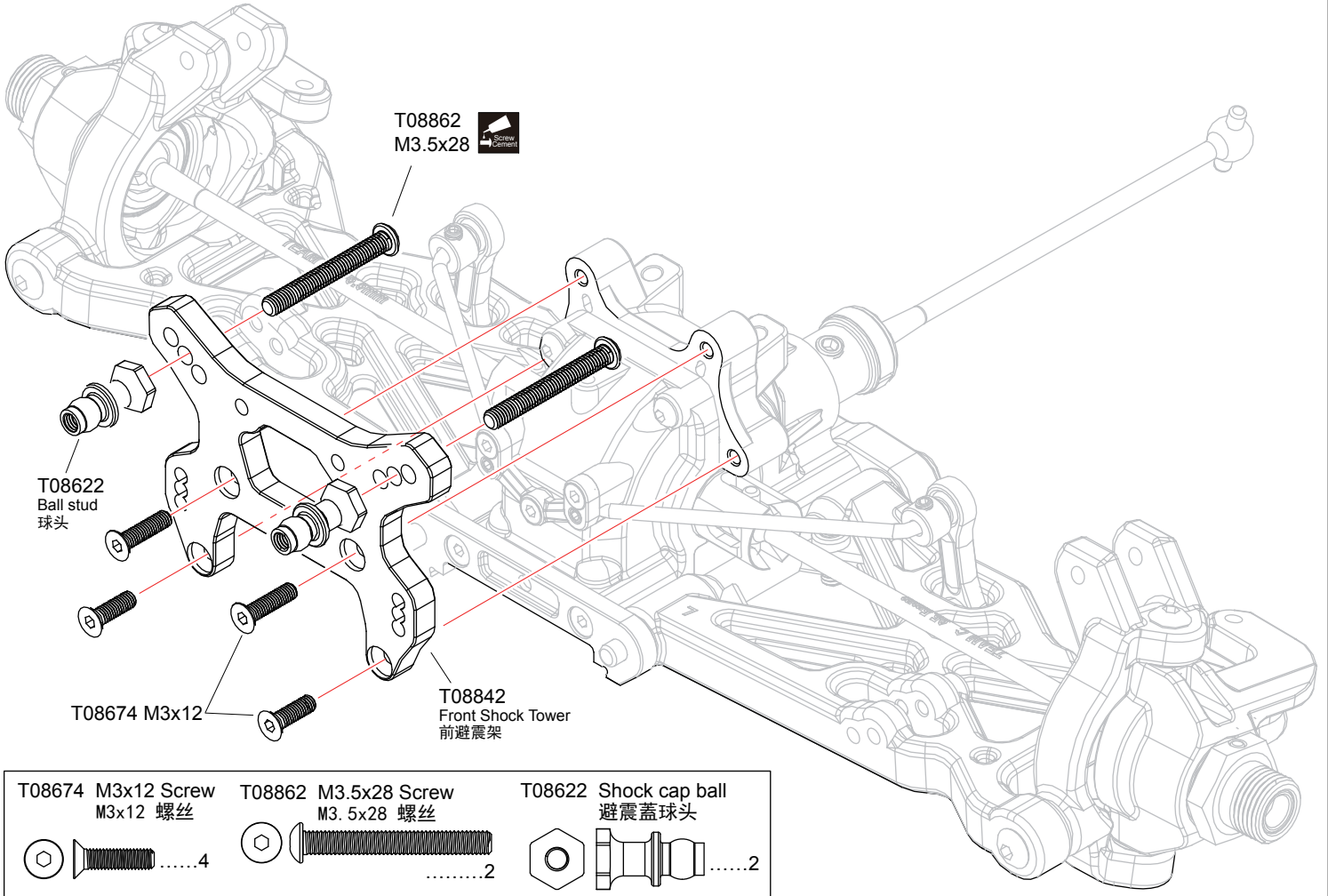


- T08645 4x73 Arm Pin
4x73 摆臂轴2
- T08674 M3x35 Screw
M3x35 螺丝2
- T08674 M3x15 Screw
M3x15 螺丝2
- T08673 M3x16 Screw
M3x16 螺丝2

LR Assemble both Left and Right
组装左和右

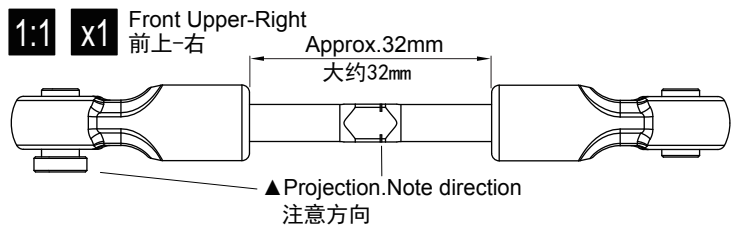
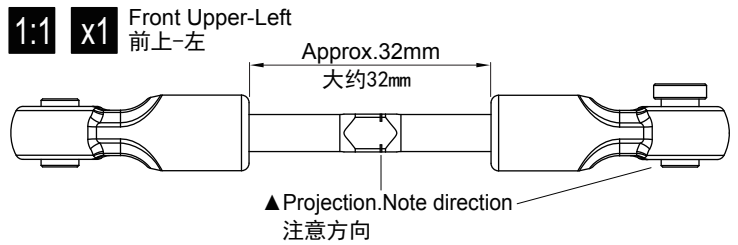
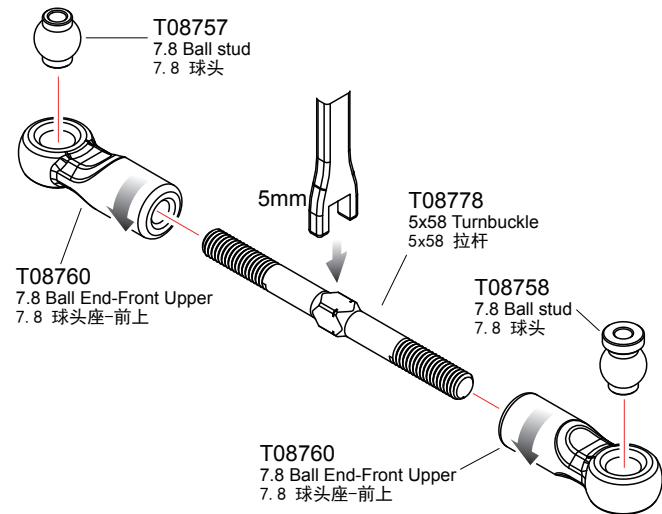
11 Front Shock Tower
前避震架

Bag-D



12 Front Upper Turnbuckle
前上拉杆

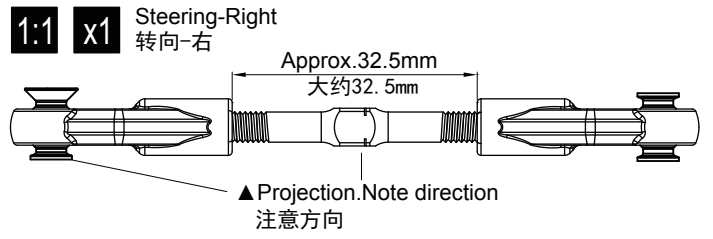
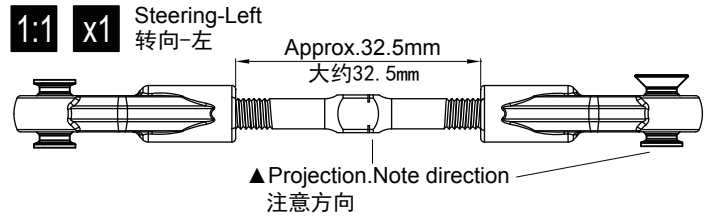
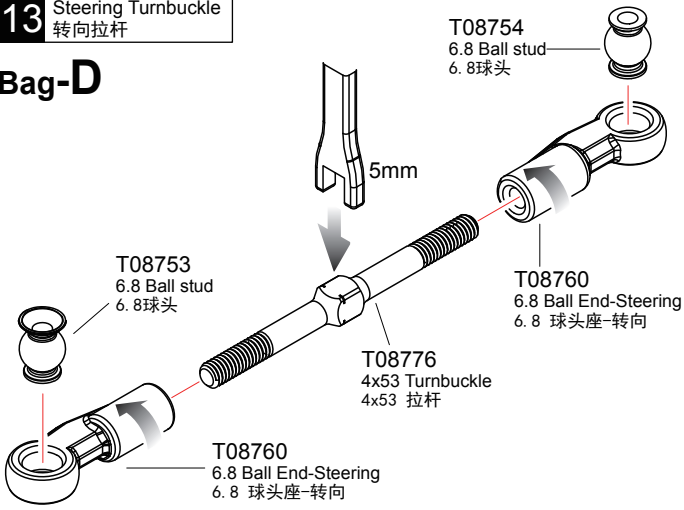
Bag-D



T08778 5x58 Turnbuckle 5x58 拉杆	T08758 7.8 Ball stud 7.8 球头	T08757 7.8 Ball stud 7.8 球头	T08760 7.8 Ball End-Front Upper 7.8 球头座-前上
.....2224

13 Steering Turnbuckle
转向拉杆

Bag-D

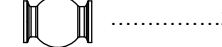
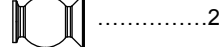
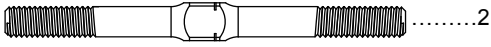


T08776 4x53 Turnbuckle
4x53 拉杆

T08753 6.8 Ball stud
6.8球头

T08754 6.8 Ball stud
6.8球头

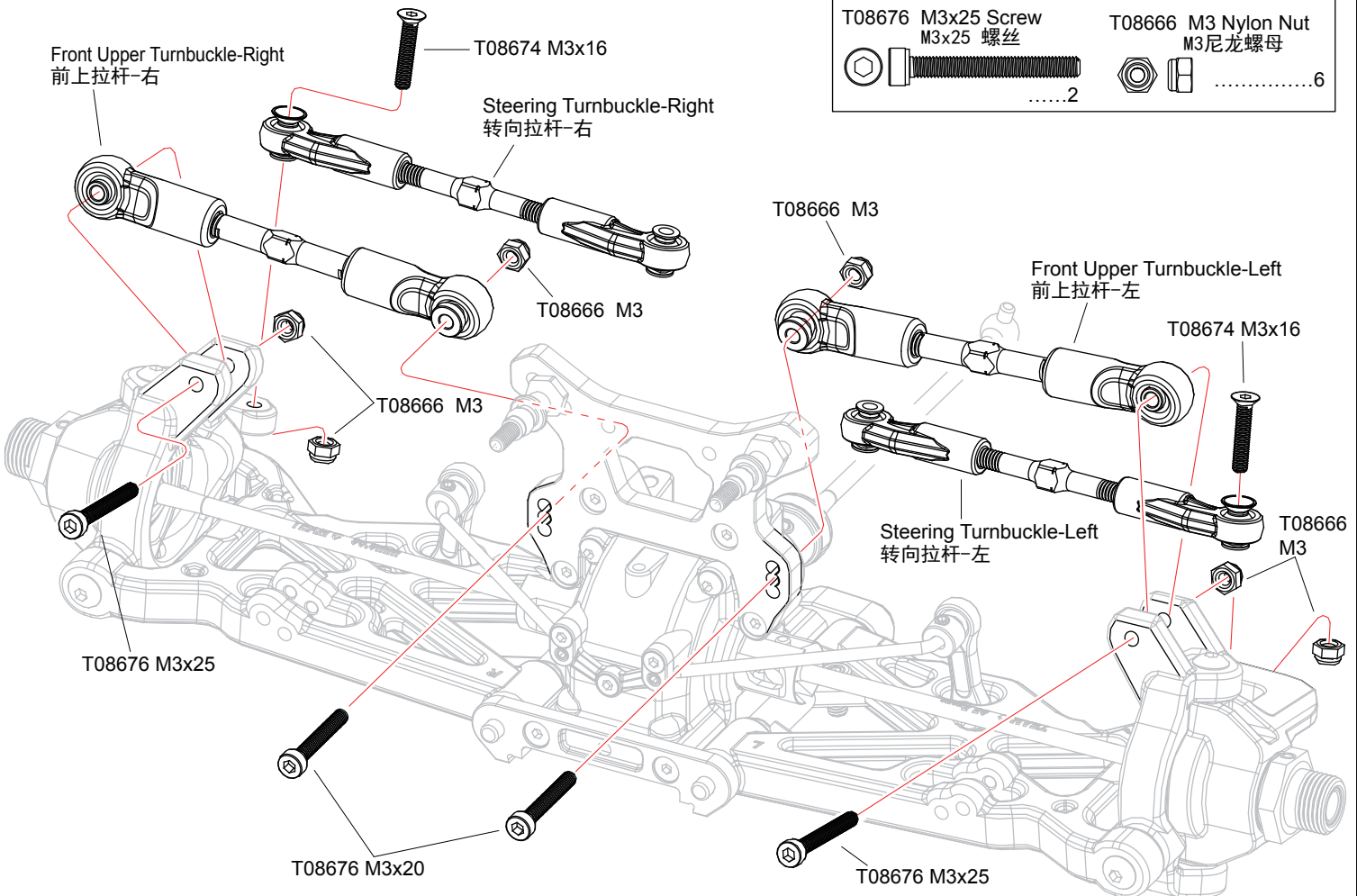
T08760 6.8 Ball End-Steering
6.8球头座-转向



14 Front Upper/Steering Turnbuckle
前上/转向拉杆

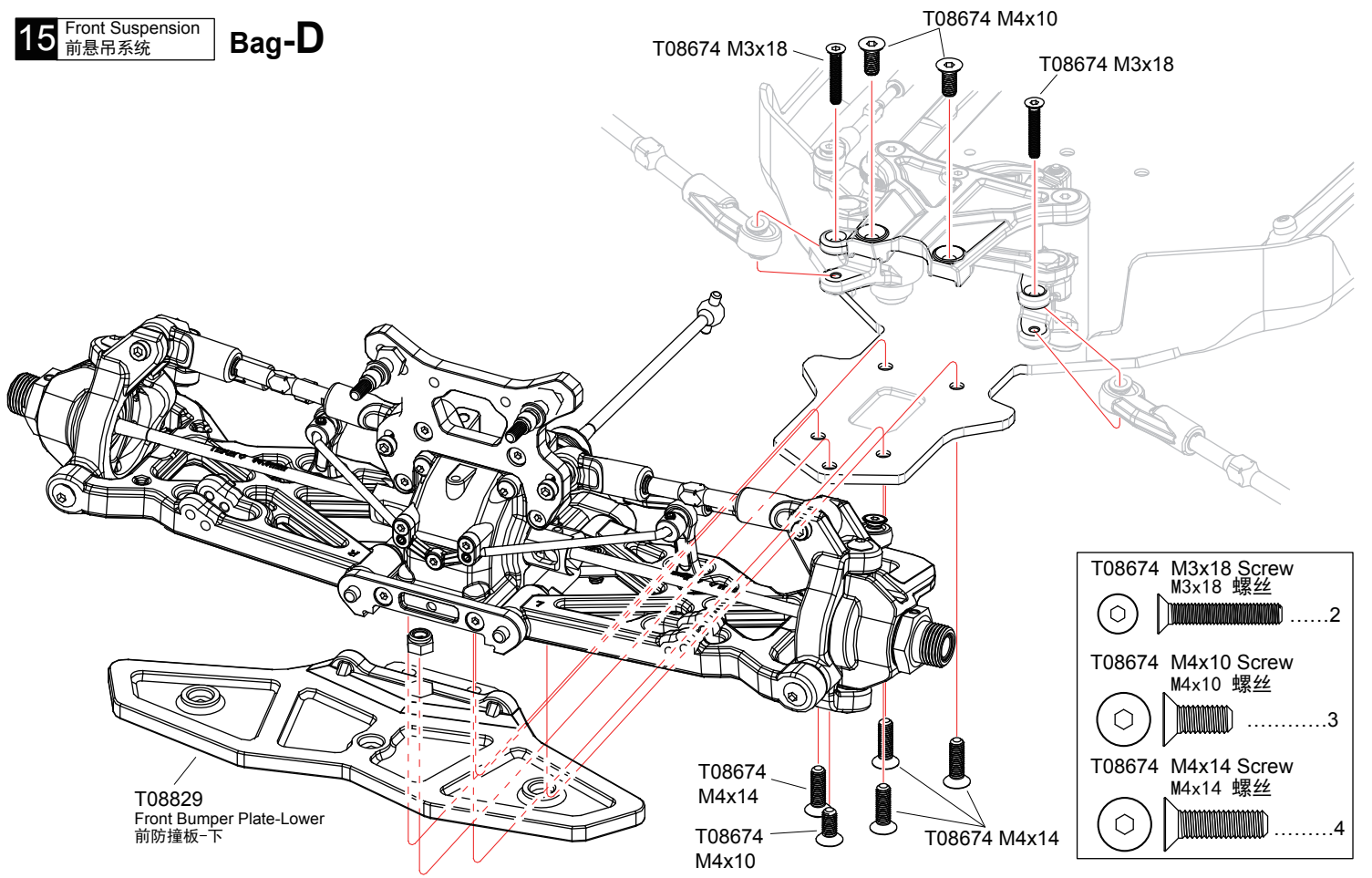
Bag-D

T08676 M3x20 Screw M3x20 螺丝	T08674 M3x16 Screw M3x16 螺丝
.....
.....22
T08676 M3x25 Screw M3x25 螺丝	T08666 M3 Nylon Nut M3尼龙螺母
.....
.....26



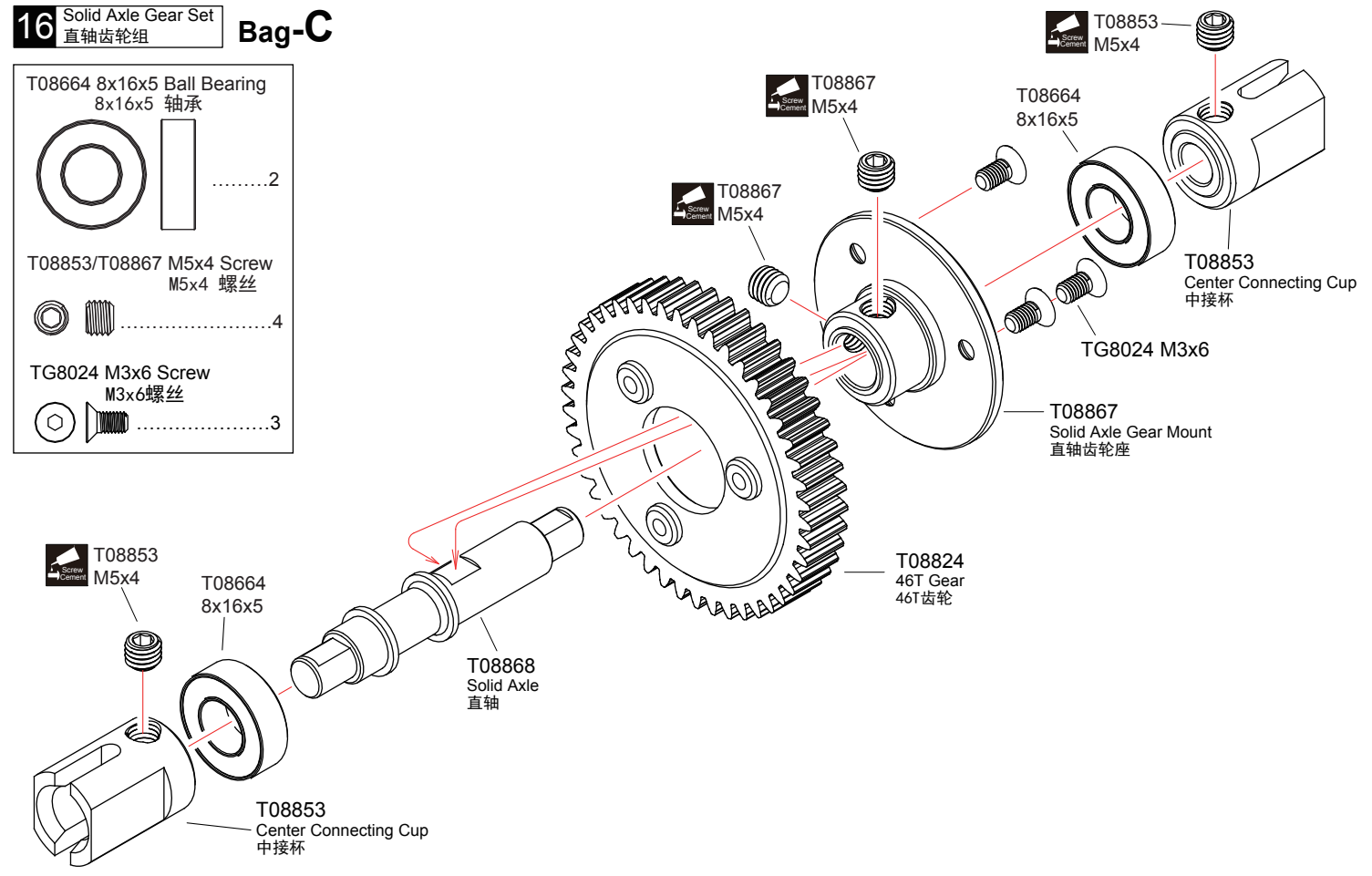
15 Front Suspension
前悬吊系统

Bag-D



16 Solid Axle Gear Set
直轴齿轮组

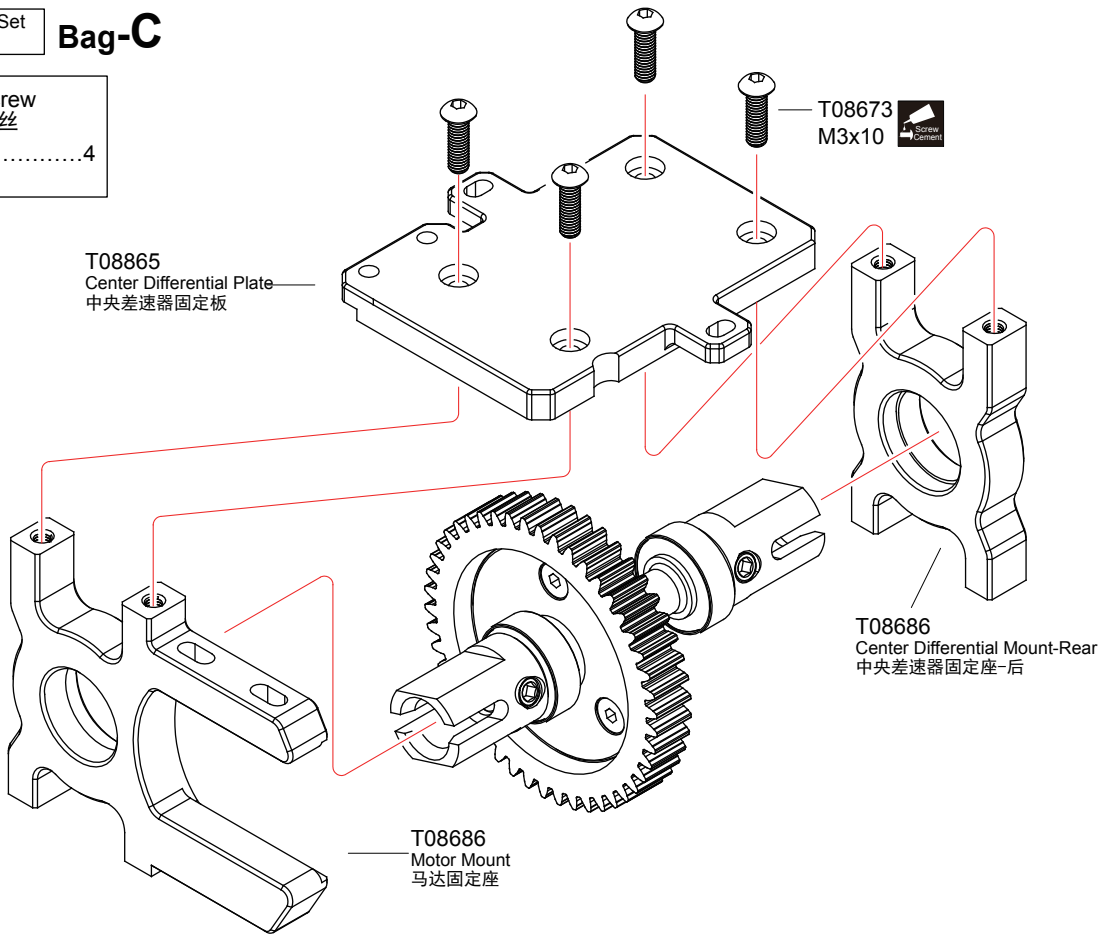
Bag-C



Apply threadlocker(screw cement)
打螺丝胶水

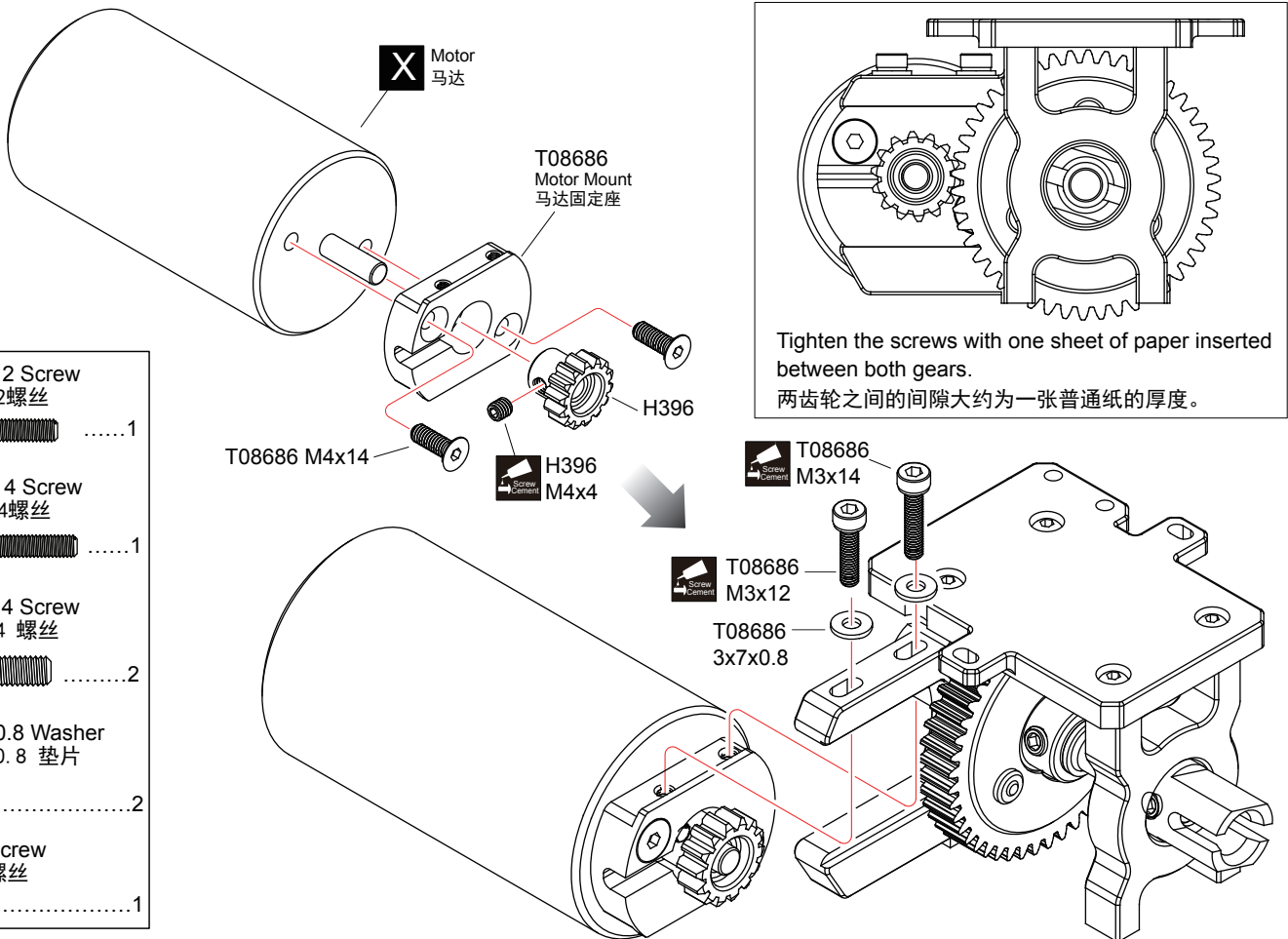
17 Solid Axle Gear Set
直轴齿轮组 **Bag-C**


- T08673 M3x10 Screw
M3x10 螺丝4
- 



18 Motor
马达 **Bag-C**

- T08686 M3x12 Screw
M3x12螺丝1
- T08686 M3x14 Screw
M3x14螺丝1
- T08686 M4x14 Screw
M4x14 螺丝2
- T08686 3x7x0.8 Washer
3x7x0.8 垫片2
- H396 M4x4 Screw
M4x4 螺丝1

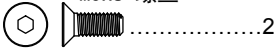


 Apply threadlocker(screw cement)
打螺丝胶水

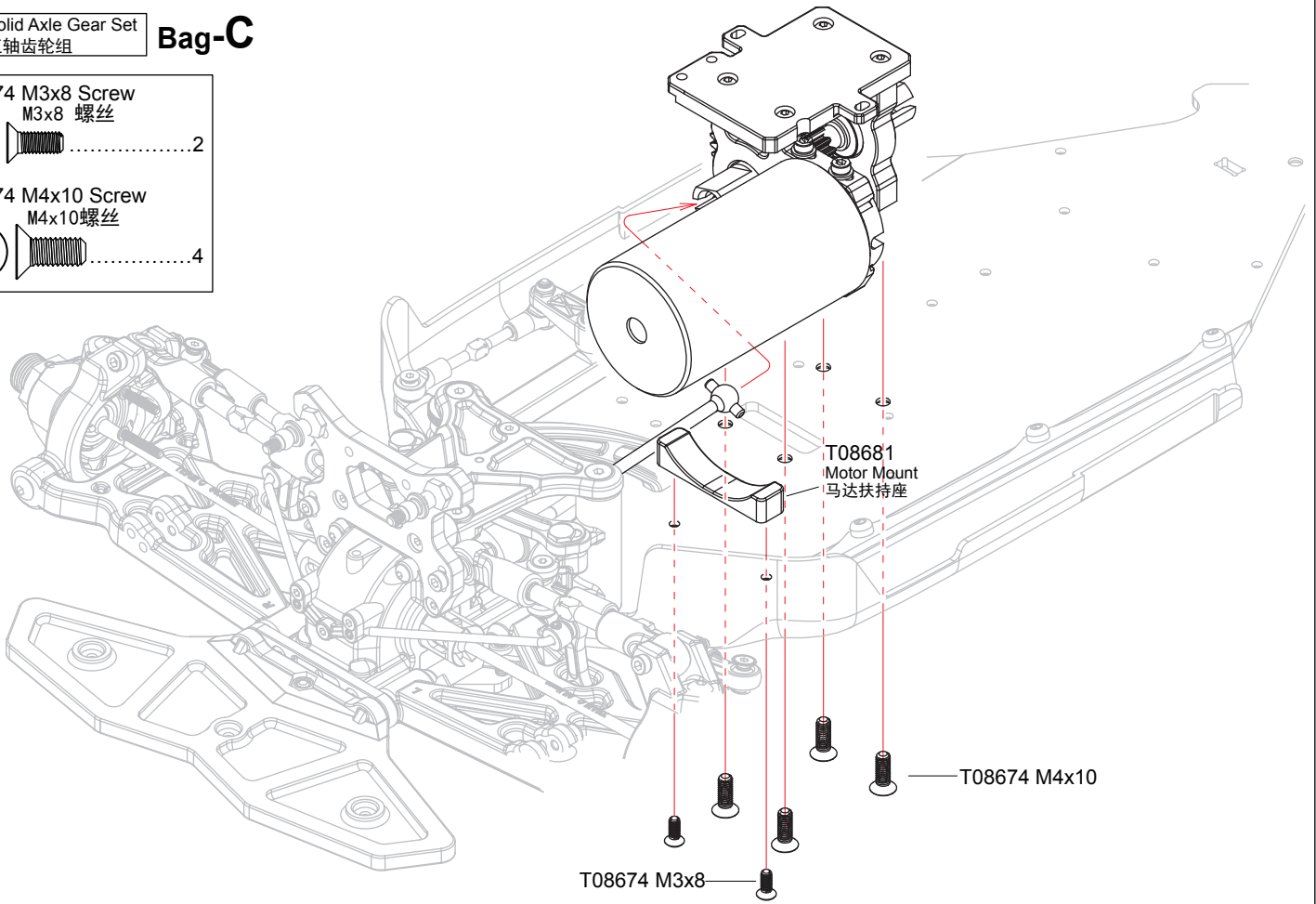
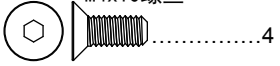
 Must be purchased separately
需另购物品

19 Solid Axle Gear Set
直轴齿轮组 **Bag-C**

T08674 M3x8 Screw
M3x8 螺丝



T08674 M4x10 Screw
M4x10 螺丝



20 Rear Differential Case
后差速箱

Bag-C Bag-E

T08849
128mm Center Rear CVD
128mm中后CVD

T08849
M5x4

T08601
Differential Case
差速箱

T08663
6x13x5

T08663
6x13x5

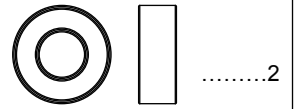
T08636
10T Gear
10T齿轮

T08304
13.1x15.9x0.2

T08601
Differential Case
差速箱

T08673 M3x16

T08663 6x13x5 Ball Bearing
6x13x5 轴承



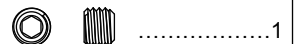
T08304 13.1x15.9x0.2 Washer
13.1x15.9x0.2 垫片



T08673 M3x16 Screw
M3x16 螺丝



T08849 M5x4 Screw
M5x4 螺丝

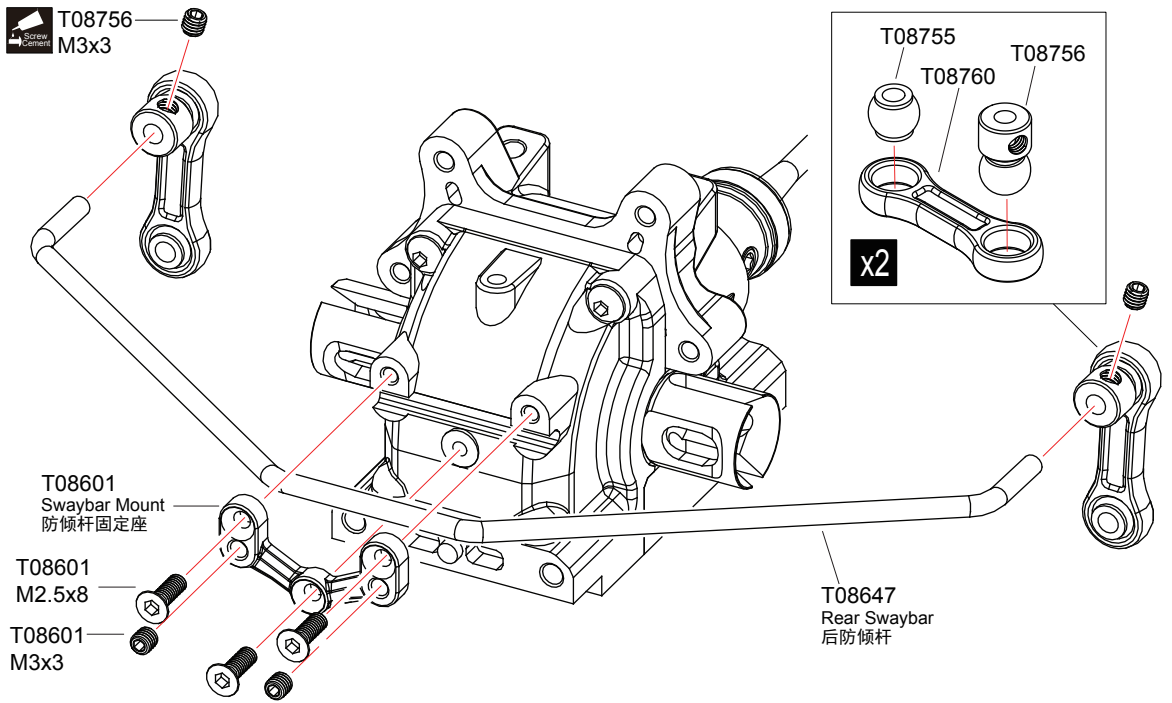


Apply threadlocker(screw cement)
打螺丝胶水

21 Rear Swaybar
后防倾杆

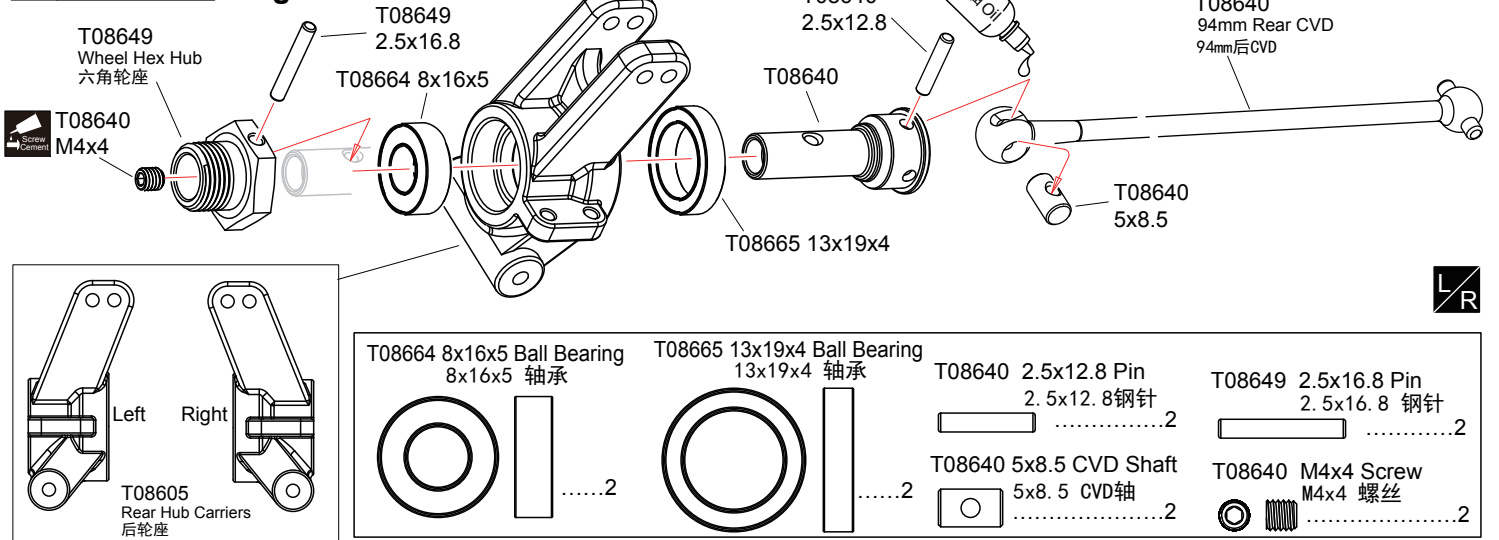
Bag-E

- T08601/T08756 M3x3 Screw
M3x3 螺丝 4
- T08601 M2.5x8 Screw
M2.5x8 螺丝 3
- T08756 6.8 Ball stud-Swaybar
6.8 球头-防倾杆 2
- T08755 6.8 Ball stud-Swaybar
6.8 球头-防倾杆 2



22 Rear Hub Carrie
后轮座

Bag-E

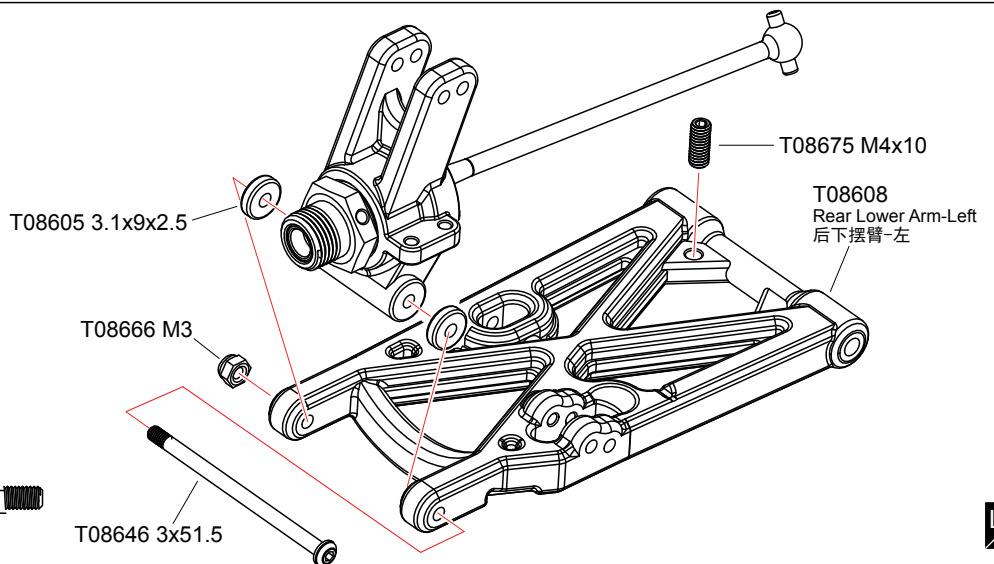


- T08664 8x16x5 Ball Bearing
8x16x5 轴承 2
- T08665 13x19x4 Ball Bearing
13x19x4 轴承 2
- T08640 2.5x12.8 Pin
2.5x12.8 钢针 2
- T08649 2.5x16.8 Pin
2.5x16.8 钢针 2
- T08640 5x8.5 CVD Shaft
5x8.5 CVD轴 2
- T08640 M4x4 Screw
M4x4 螺丝 2

23 Rear Hub Carrie
后轮座

Bag-E

- T08666 M3 Nylon Nut
M3 尼龙螺母 2
- T08675 M4x10 Screw
M4x10 螺丝 2
- T08605 3.1x9x2.5 Plastic Washer
3.1x9x2.5 垫片 4
- T08646 3x51.5 Arm Pin
3x51.5 摆臂轴 2



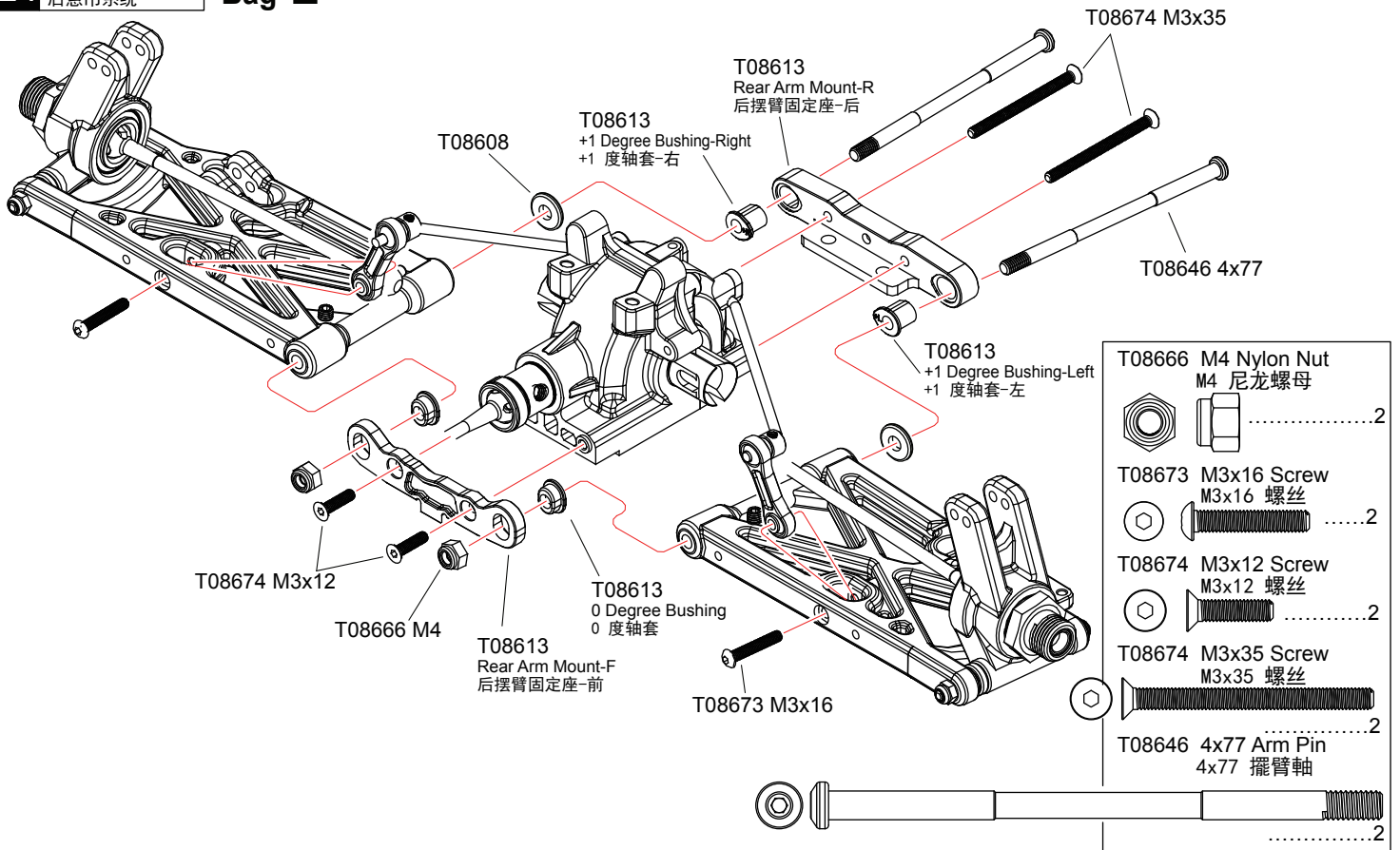
Apply threadlocker(screw cement)
打螺丝胶水

Assemble both Left and Right
组装左和右

x2 Assemble as many times as specified
需组装数量

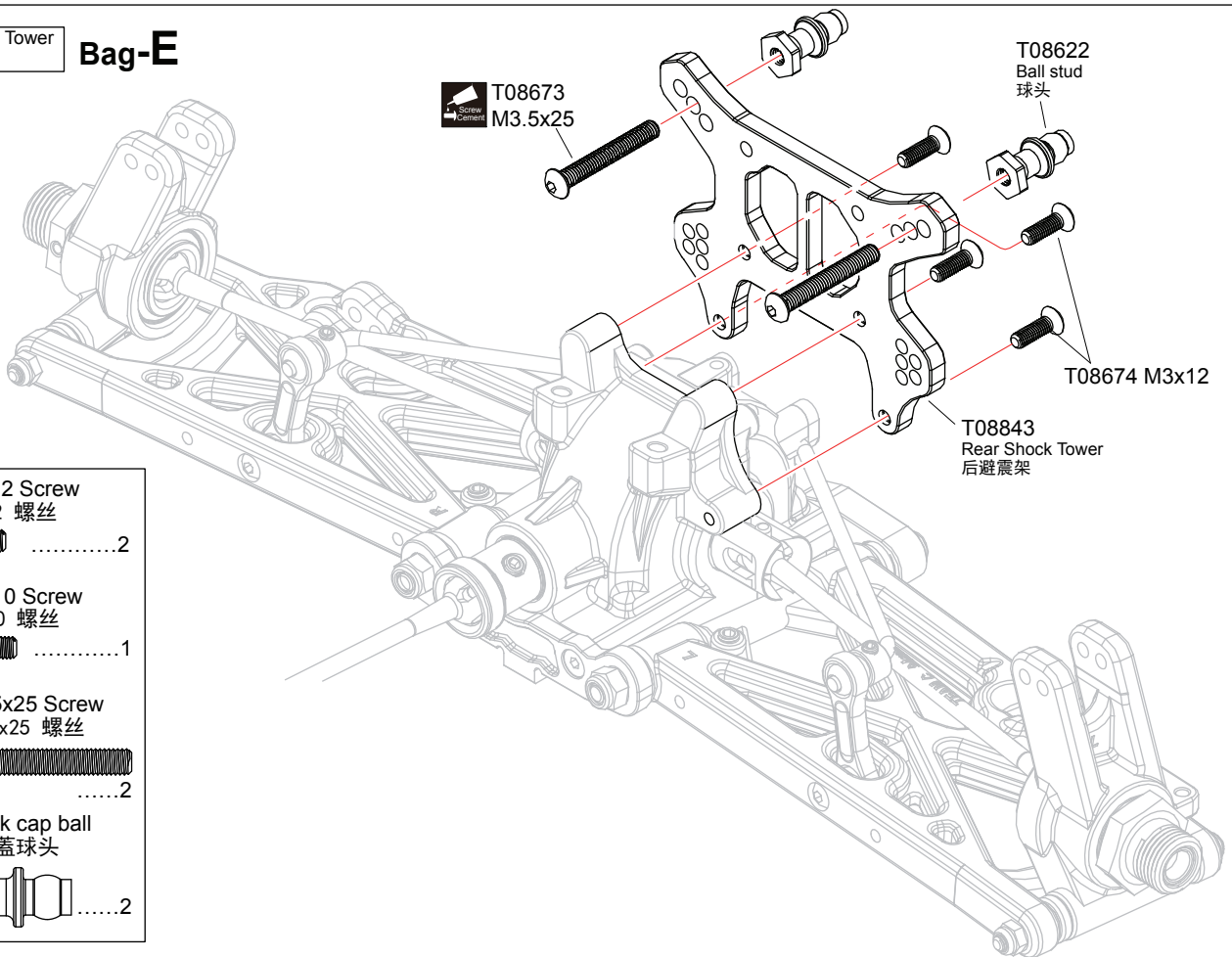
24 Rear Suspension
后悬吊系统

Bag-E



25 Rear Shock Tower
后避震架

Bag-E

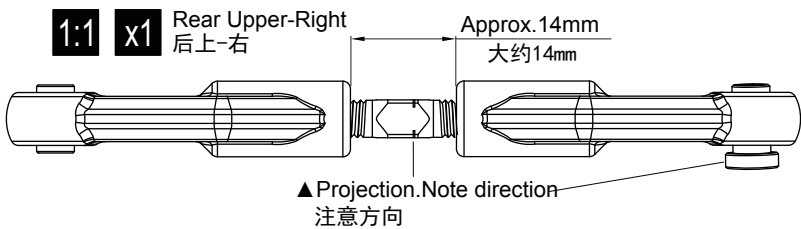
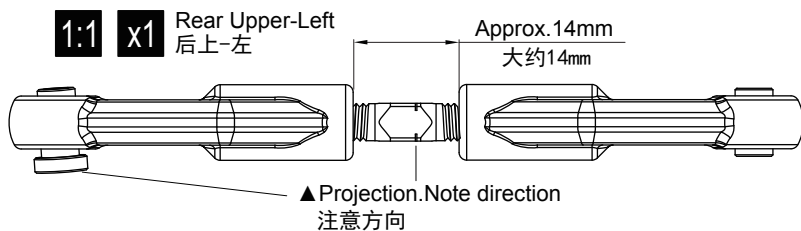
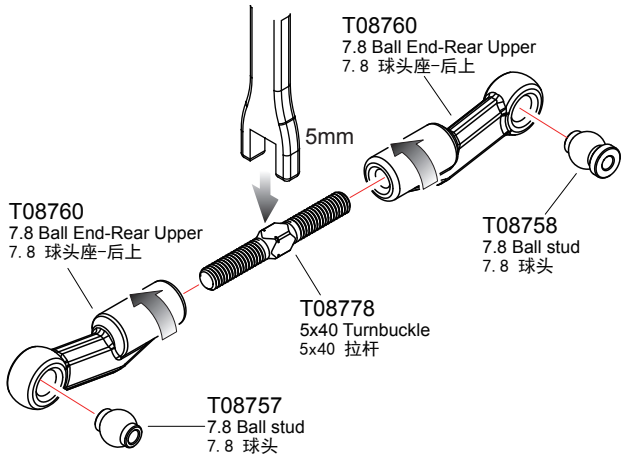


- T08674 M3x12 Screw
M3x12 螺丝2
- T08673 M3x10 Screw
M3x10 螺丝1
- T08673 M3.5x25 Screw
M3.5x25 螺丝2
- T08622 Shock cap ball
避震盖球头2

Apply threadlocker(screw cement)
打螺丝胶水

26 Rear Upper Turnbuckle
后上拉杆

Bag-E

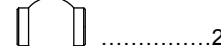
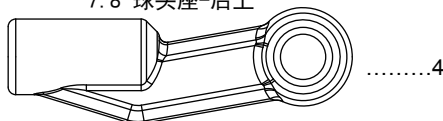


T08778 5x40 Turnbuckle
5x40 拉杆

T08760 7.8 Ball End-Rear Upper
7.8 球头座-后上

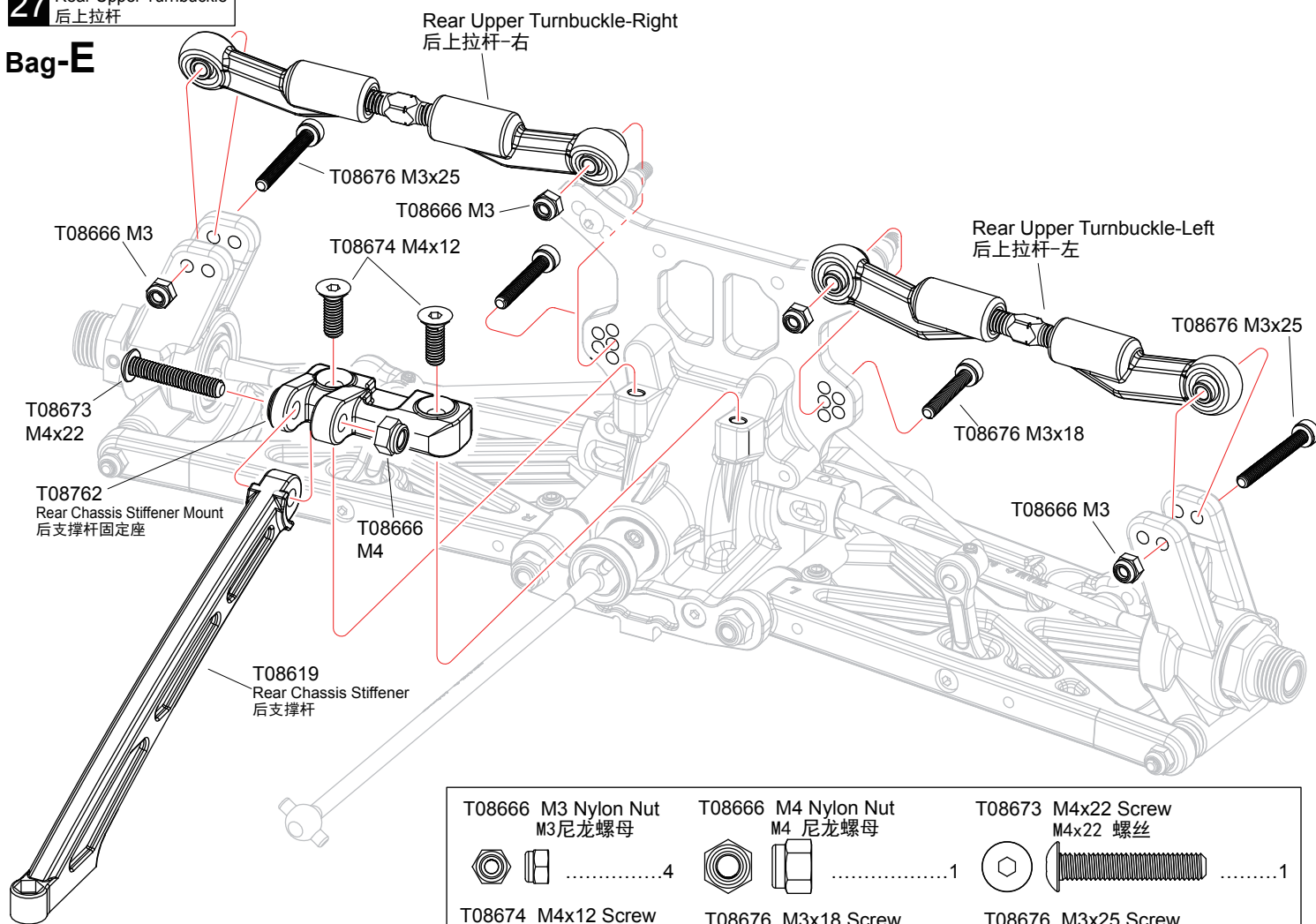
T08758 7.8 Ball stud
7.8 球头

T08757 7.8 Ball stud
7.8 球头



27 Rear Upper Turnbuckle
后上拉杆

Bag-E



T08666 M3 Nylon Nut
M3 尼龙螺母

T08666 M4 Nylon Nut
M4 尼龙螺母

T08673 M4x22 Screw
M4x22 螺丝



T08674 M4x12 Screw
M4x12 螺丝

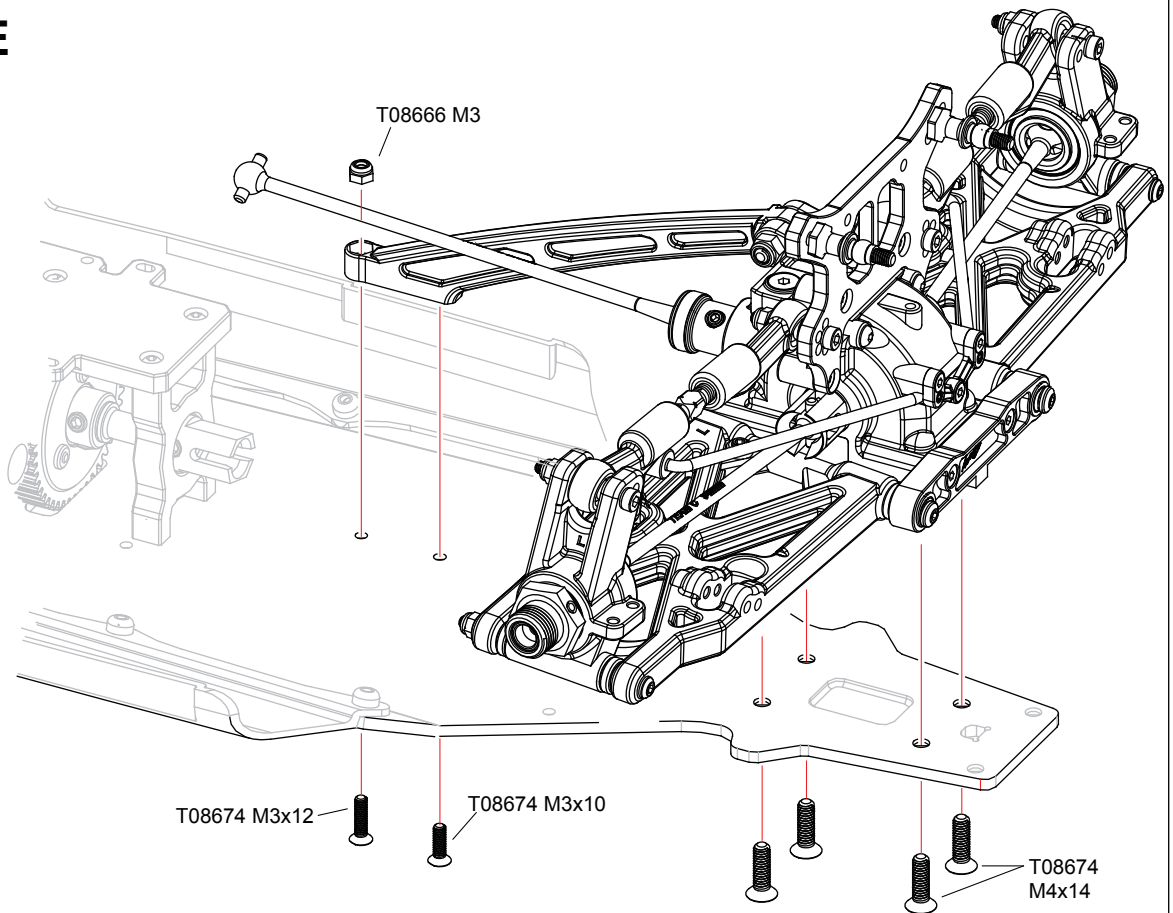
T08676 M3x18 Screw
M3x18 螺丝



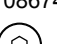

T08676 M3x25 Screw
M3x25 螺丝



28 Rear Suspension
后悬吊系统

Bag-E


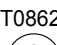
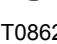



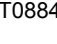
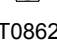


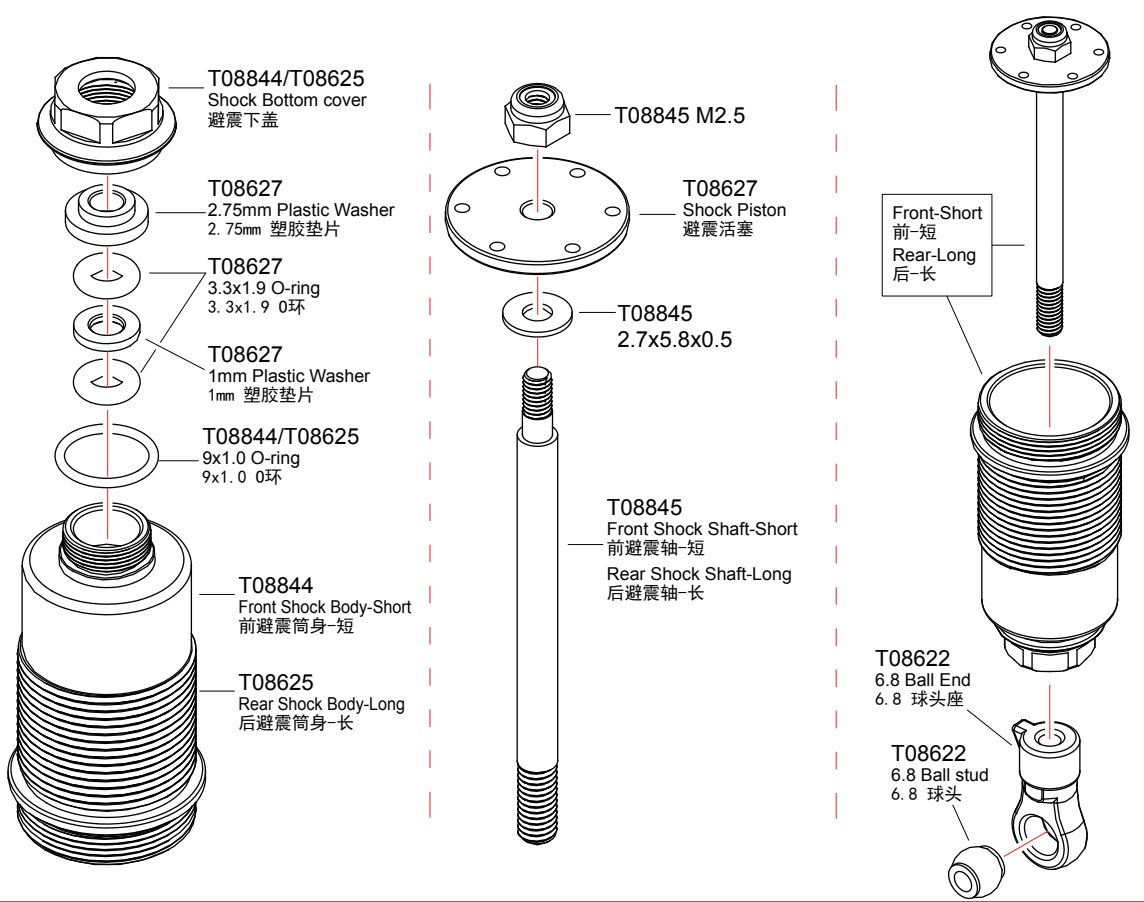
- T08666 M3 Nylon Nut
M3尼龙螺母
1
- T08674 M3x10 Screw
M3x10螺丝
1
- T08674 M3x12 Screw
M3x12 螺丝
1
- T08674 M4x14 Screw
M4x14螺丝
4

29 Shock
避震器

Bag-F

F/R **x2**

- T08627 2.75mm Plastic Washer
2.75mm 塑胶垫片
4
- T08627 1mm Plastic Washer
1mm 塑胶垫片
4
- T08627 3.3x1.9 O-ring
3.3x1.9 O环
8
- T08844/T08625 9x1.0 O-ring
9x1.0 O环
4
- T08845 2.7x5.8x0.5 Washer
2.7x5.8x0.5 垫片
4
- T08845 M2.5 Nylon Nut
M2.5 尼龙螺母
4
- T08622 6.8 Ball stud
6.8 球头
4
- T08622 6.8 Ball End
6.8 球头座
4



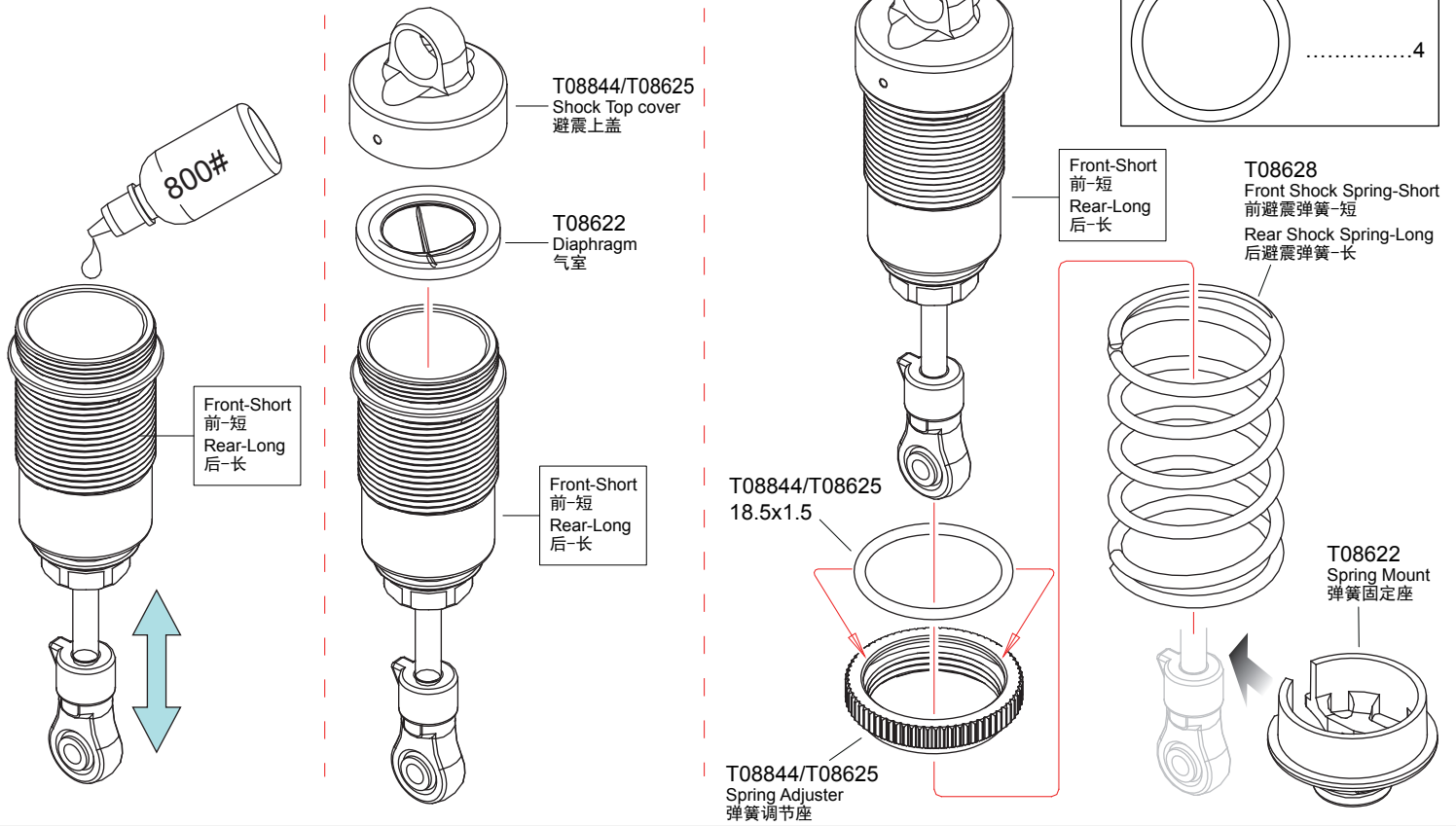
F/R Assemble both Front and Rear
组装前和后

x2 Assemble as many times as specified
需组装数量

30 Shock
避震器

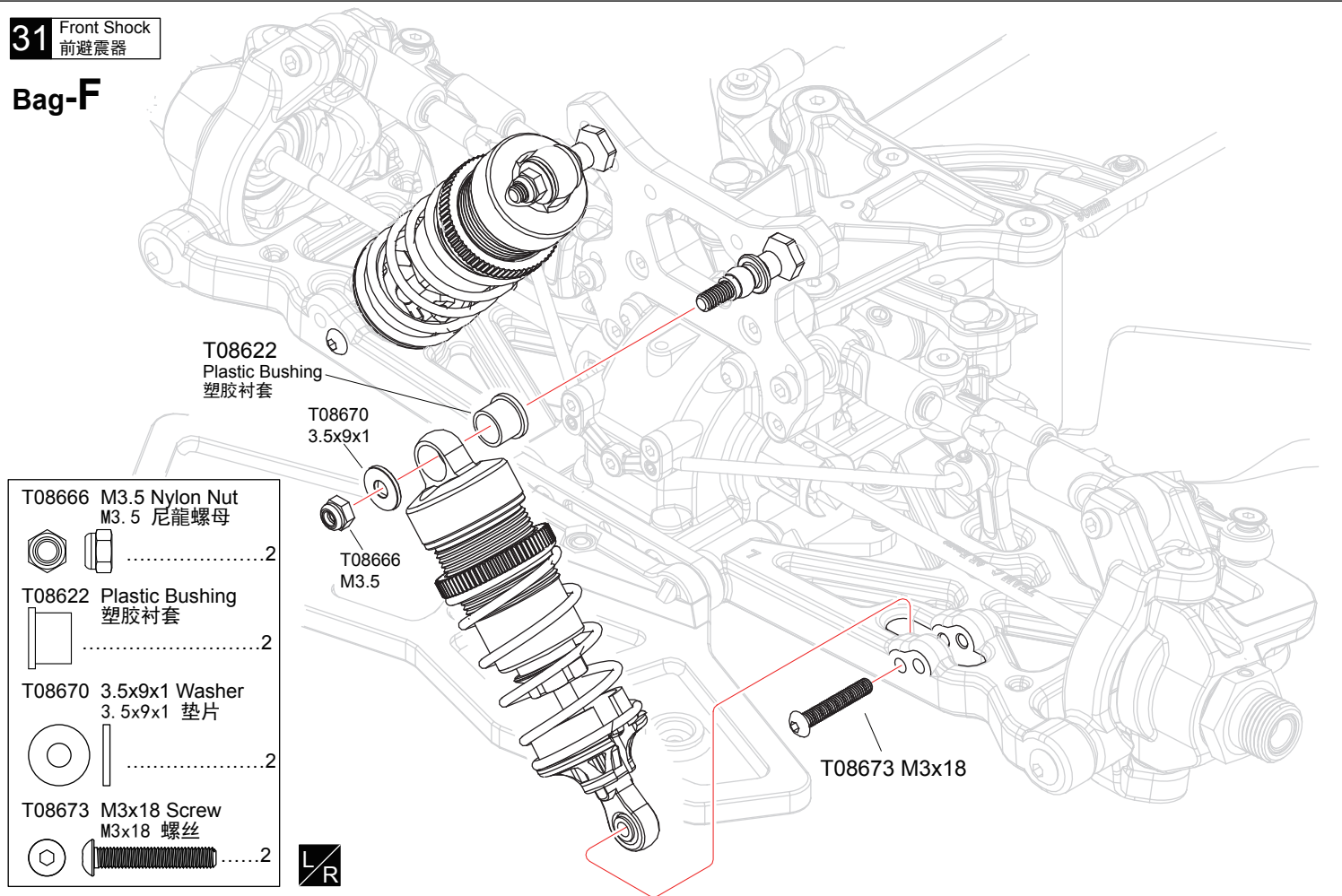
Bag-F

F/R **x2**



31 Front Shock
前避震器

Bag-F

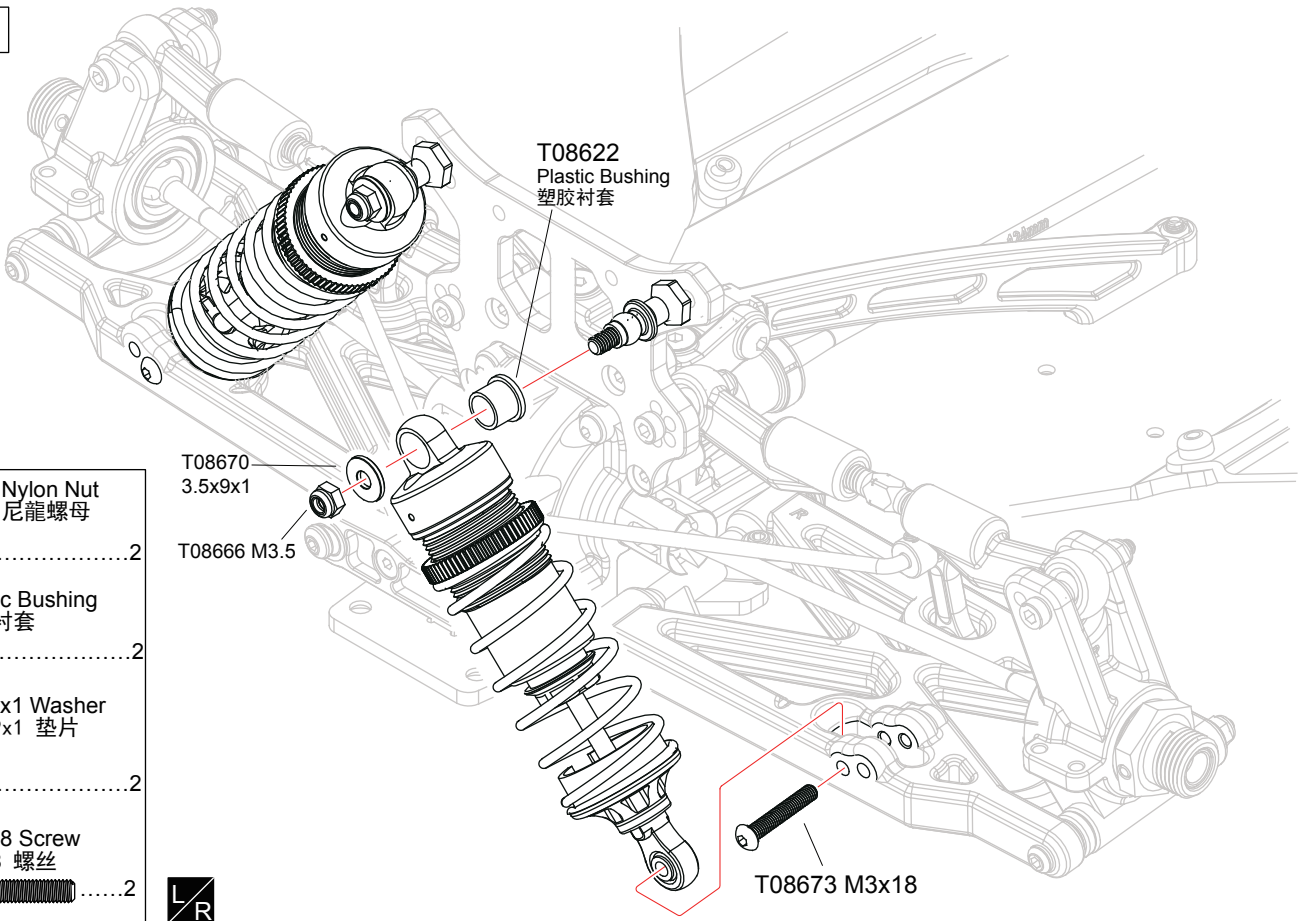


F/R Assemble both Front and Rear
组装前和后

x2 Assemble as many times as specified
需组装数量

32 Rear Shock
后避震器

Bag-F

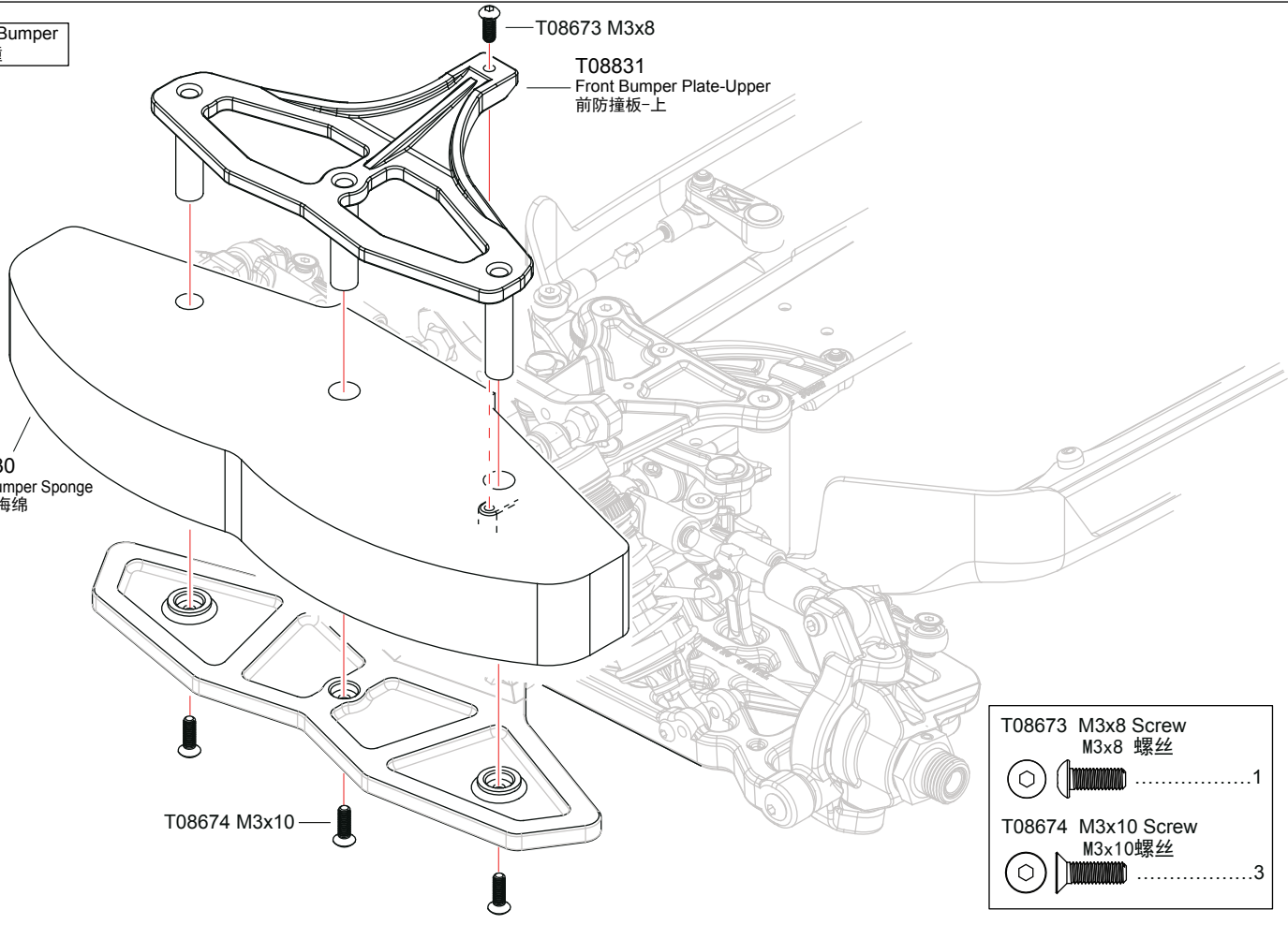


- T08666 M3.5 Nylon Nut
M3.5 尼龍螺母 2
- T08622 Plastic Bushing
塑膠衬套 2
- T08670 3.5x9x1 Washer
3.5x9x1 垫片 2
- T08673 M3x18 Screw
M3x18 螺丝 2



33 Front Bumper
前防撞

Bag-G

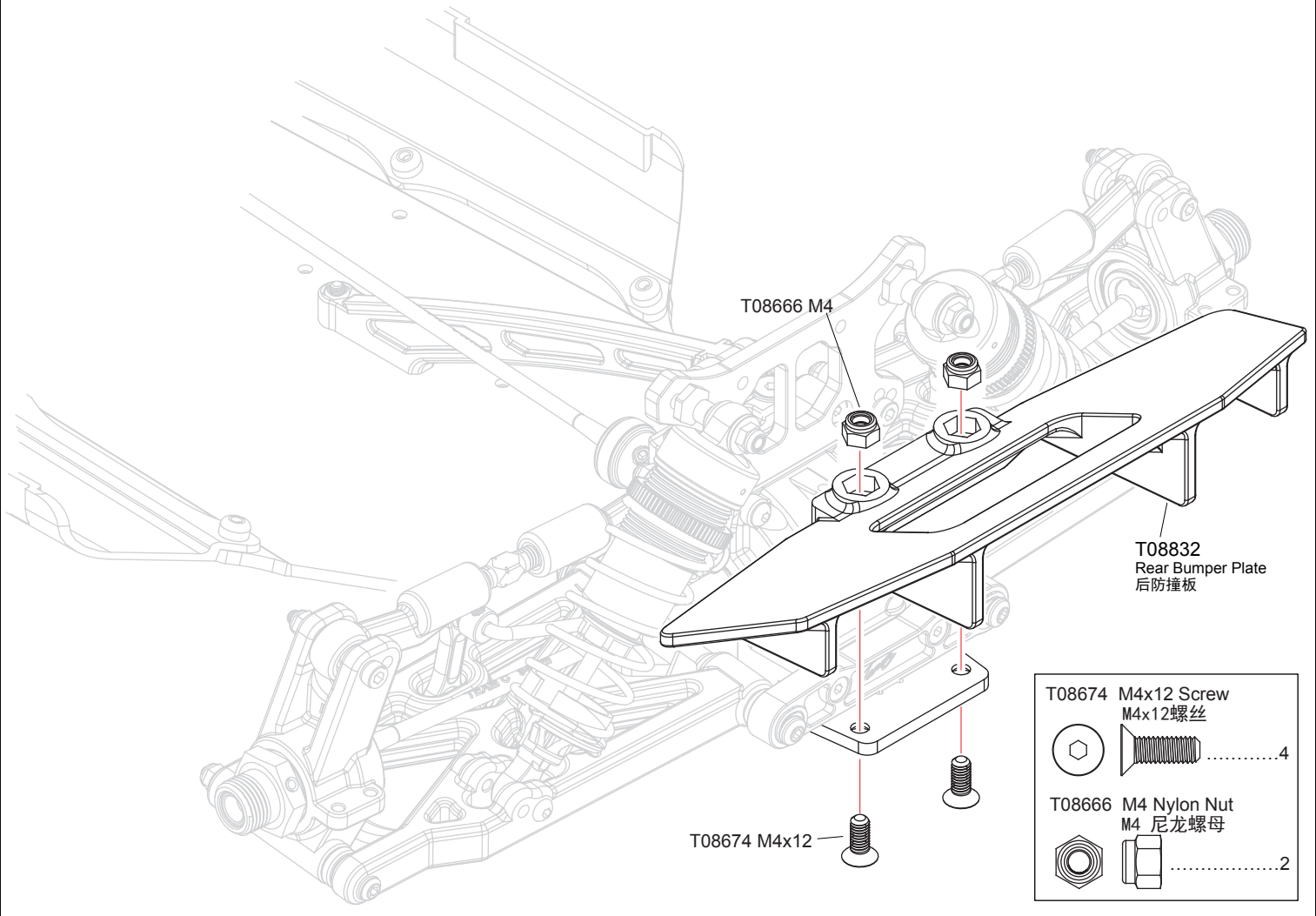


- T08673 M3x8 Screw
M3x8 螺丝 1
- T08674 M3x10 Screw
M3x10 螺丝 3

Assemble both Left and Right
组装左和右

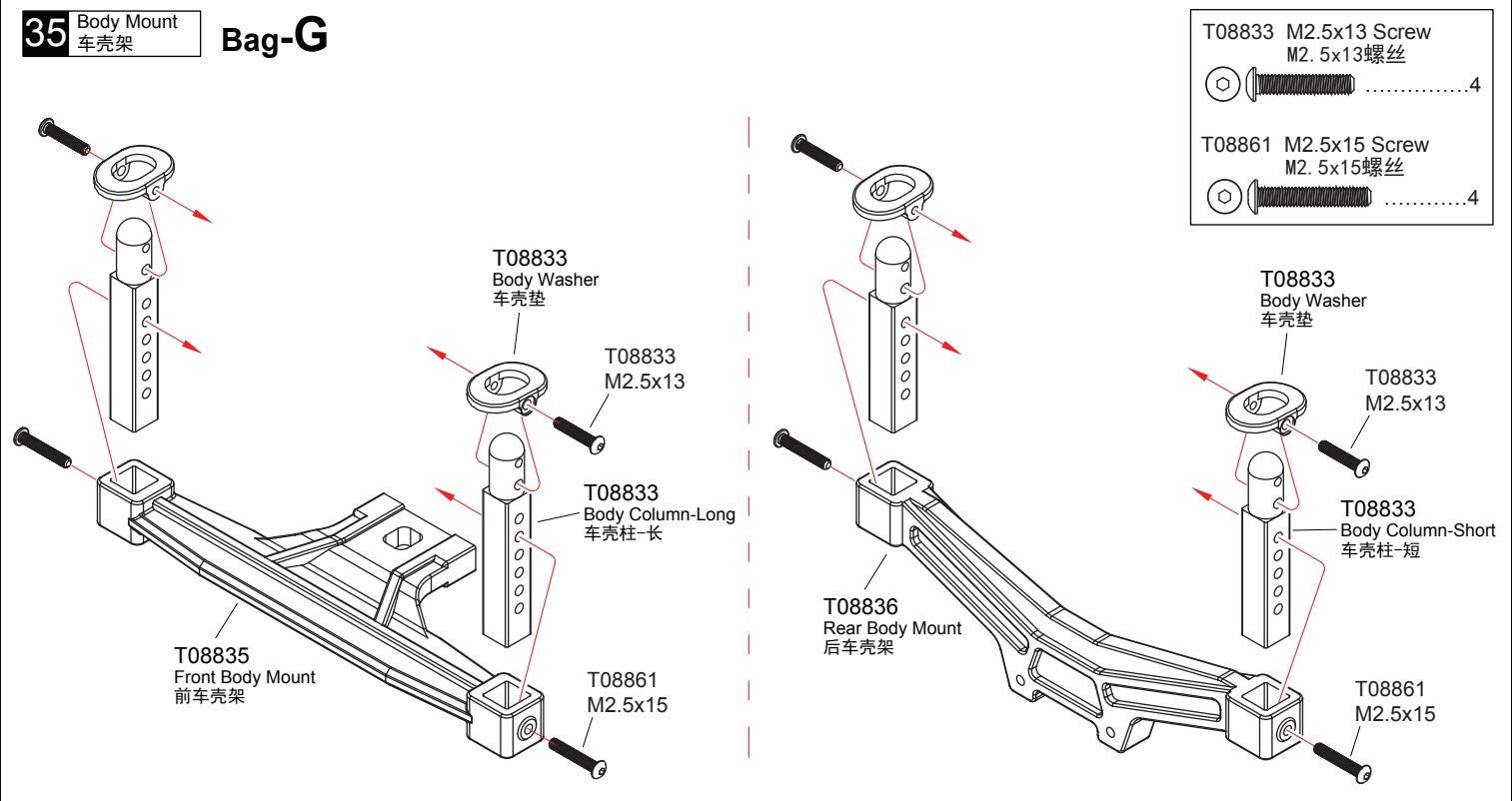
34 Rear Bumper Plate
后防撞板

Bag-G



35 Body Mount
车壳架

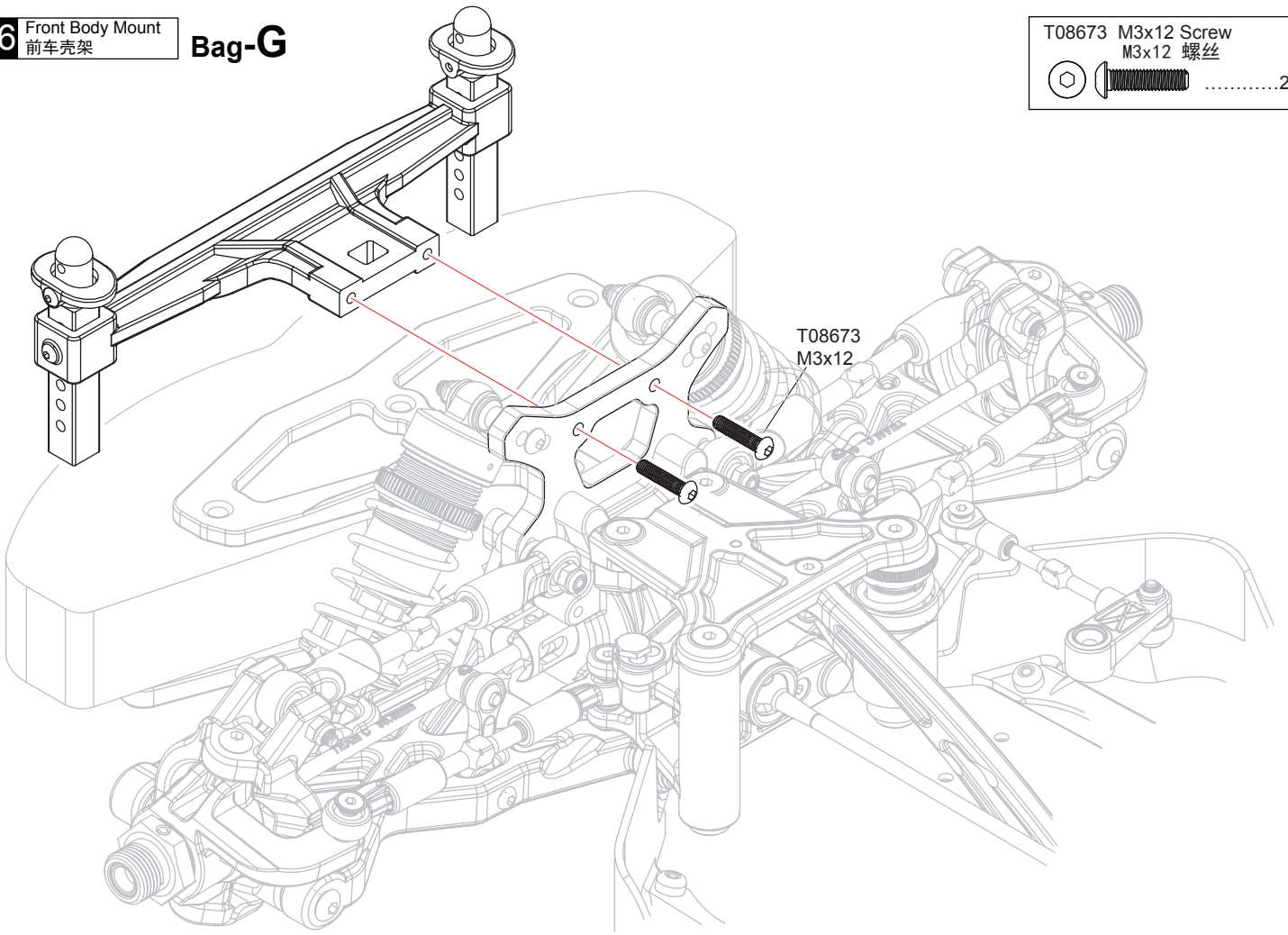
Bag-G



36 Front Body Mount
前车壳架

Bag-G

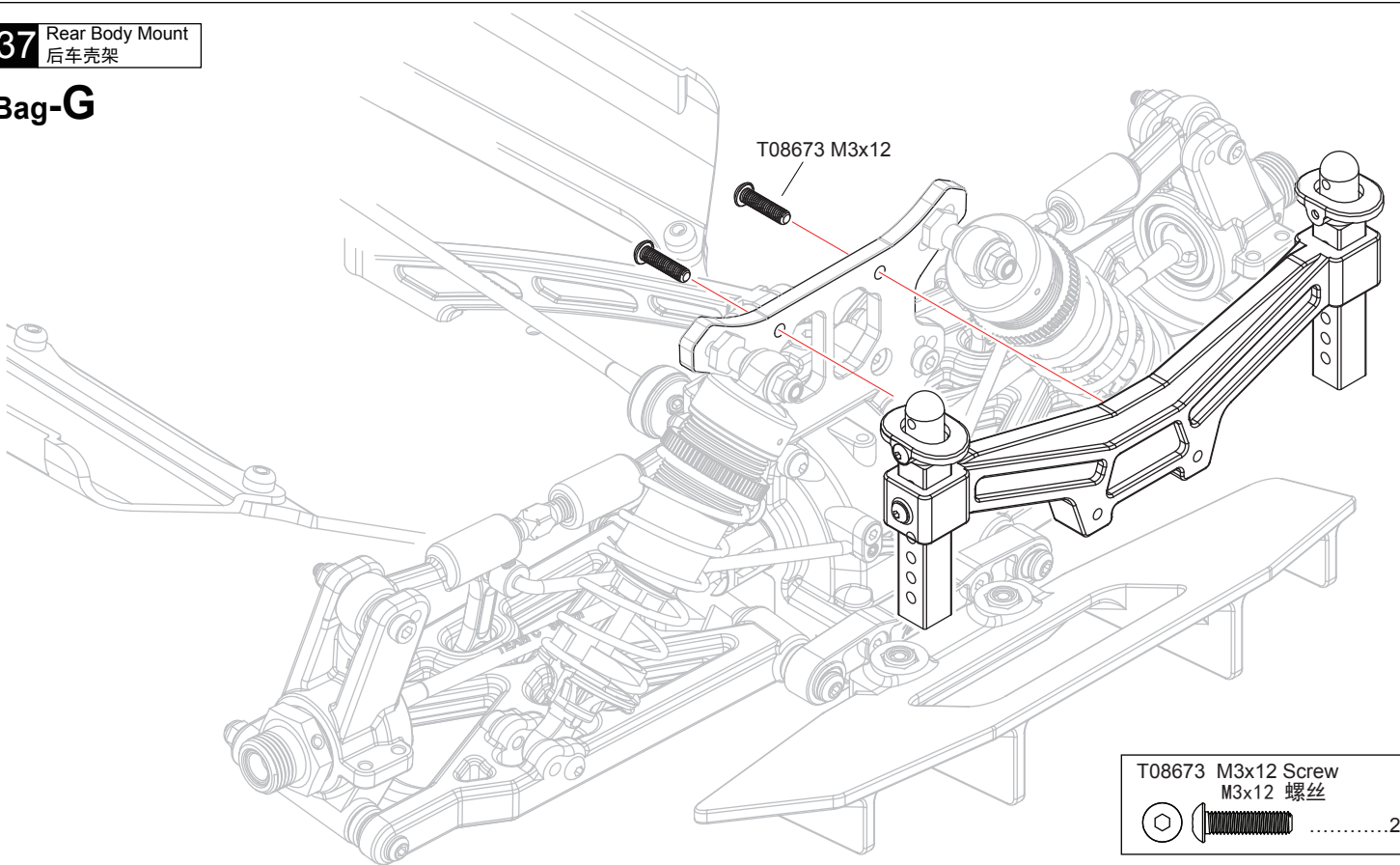
T08673 M3x12 Screw
M3x12 螺丝2



37 Rear Body Mount
后车壳架

Bag-G

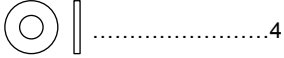
T08673 M3x12



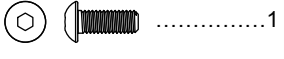
T08673 M3x12 Screw
M3x12 螺丝2

38 Receiver/Servo
接收机/伺服机 **Bag-B Bag-J**

T02081 3x7x0.8 Washer
3x7x0.8 垫片



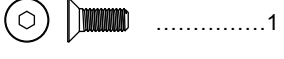
T08673 M3x8 Screw
M3x8 螺丝



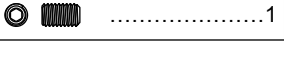
T08793 M3x15 Screw
M3x15 螺丝



T08674 M3x8 Screw
M3x8 螺丝

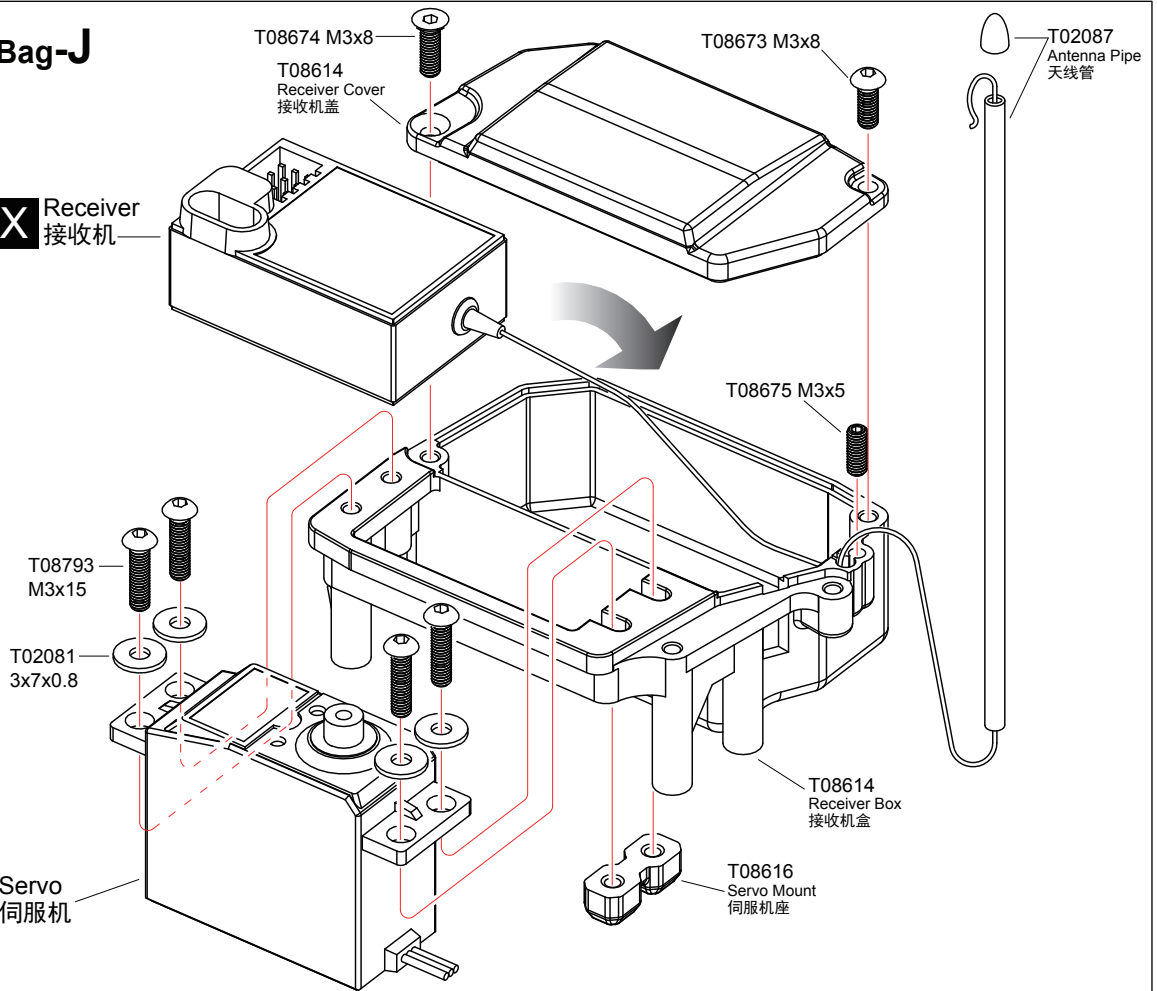


T08675 M3x5 Screw
M3x5 螺丝



X Receiver
接收机

X Servo
伺服机

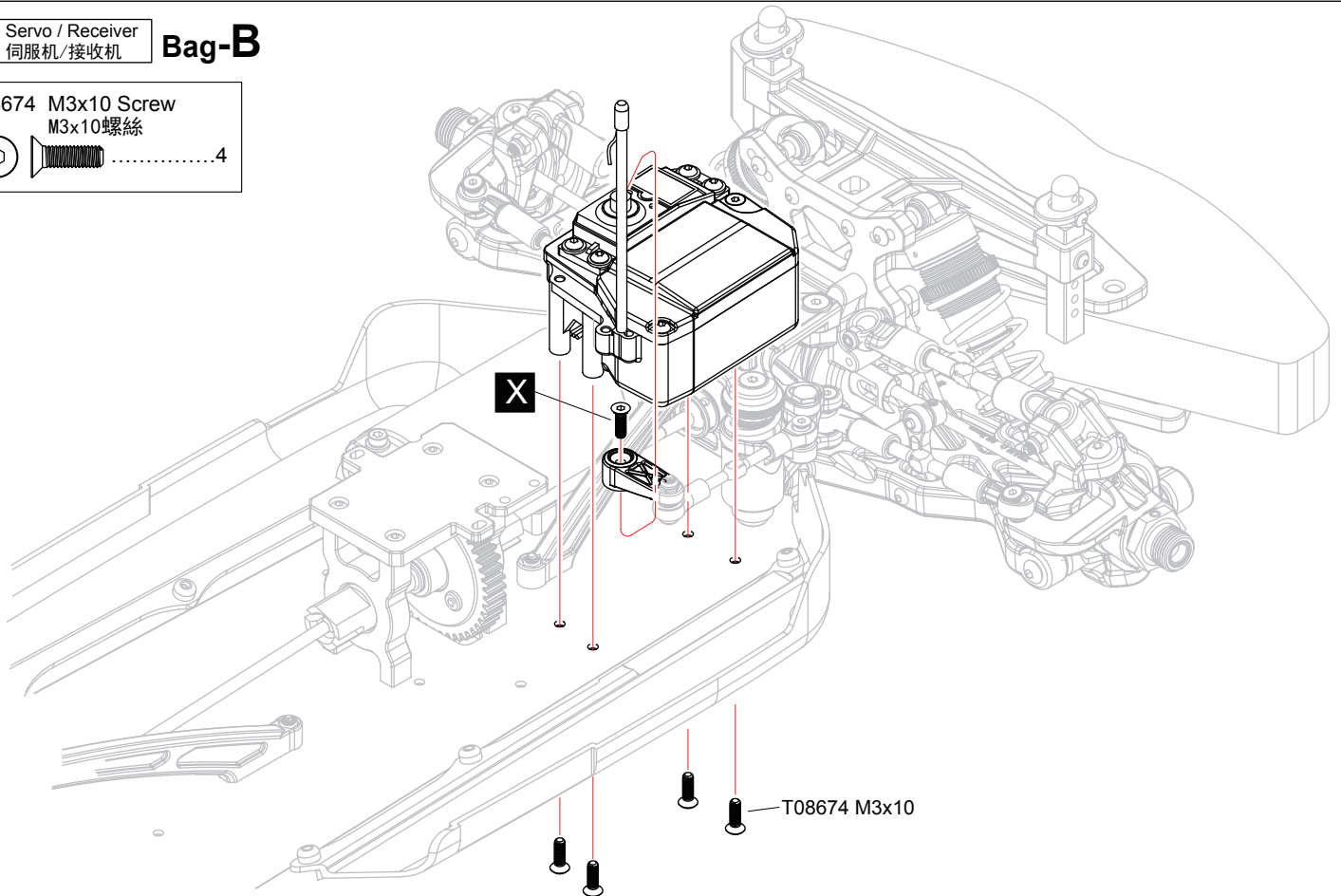


39 Servo / Receiver
伺服机/接收机 **Bag-B**

T08674 M3x10 Screw
M3x10 螺丝



X



X Must be purchased separately
需另购物品

40 Battery
电池

x2 Bag-B

X Battery
电池

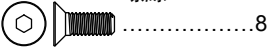
T08821
Velcro Tape
魔鬼粘

T08821
Battery Mount
电池固定座

41 Battery
电池

Bag-B

T08674 M3x8 Screw
M3x8螺絲



T08674 M3x8

X Must be purchased separately
需另购物品

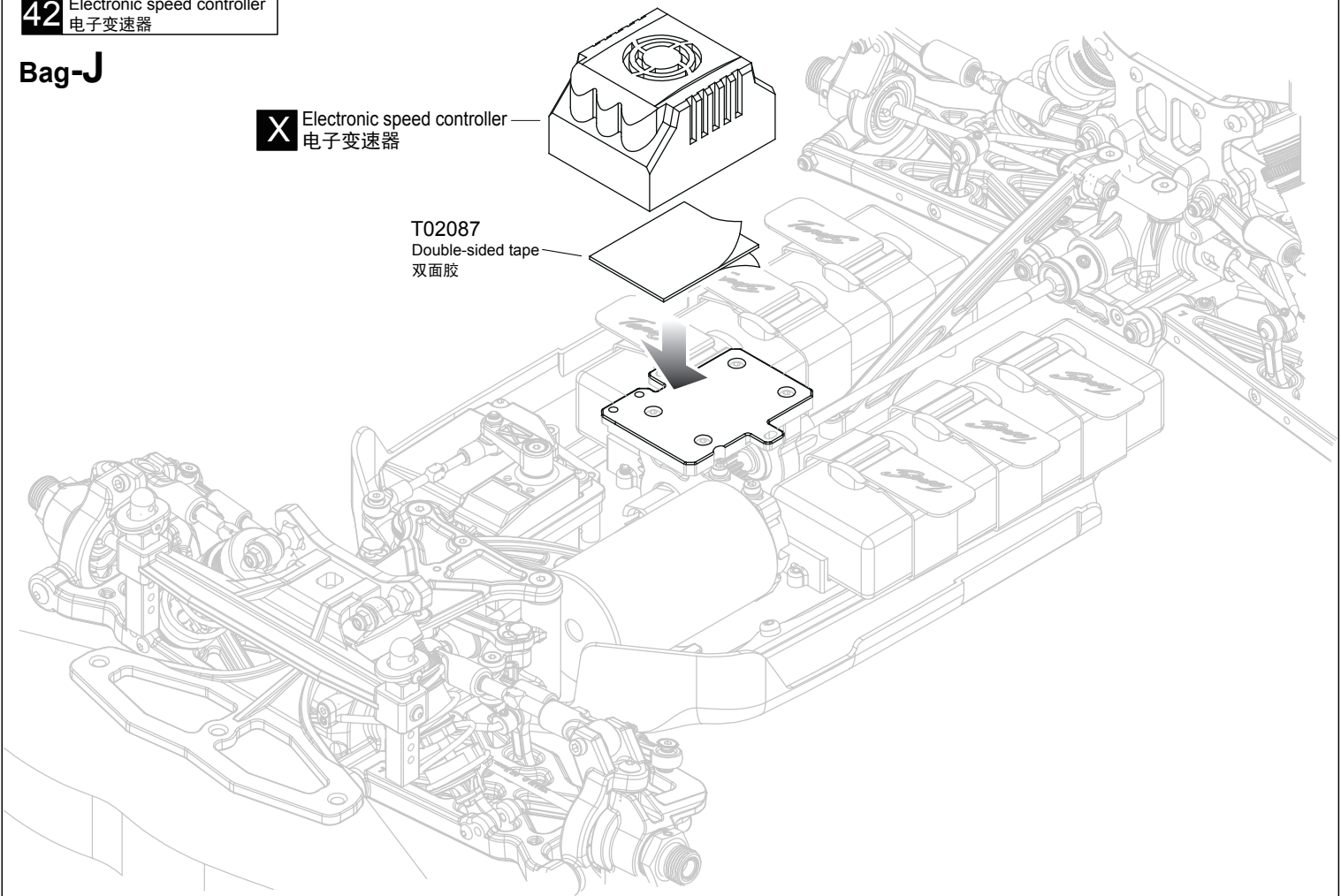
x2 Assemble as many times as specified
需组装数量

42 Electronic speed controller
电子变速器

Bag-J

X Electronic speed controller
电子变速器

T02087
Double-sided tape
双面胶



43 Tyre
轮胎 **Bag-H**

Right
右 **x2**

T08838
Tyre
轮胎

T08838
Sponge
海绵

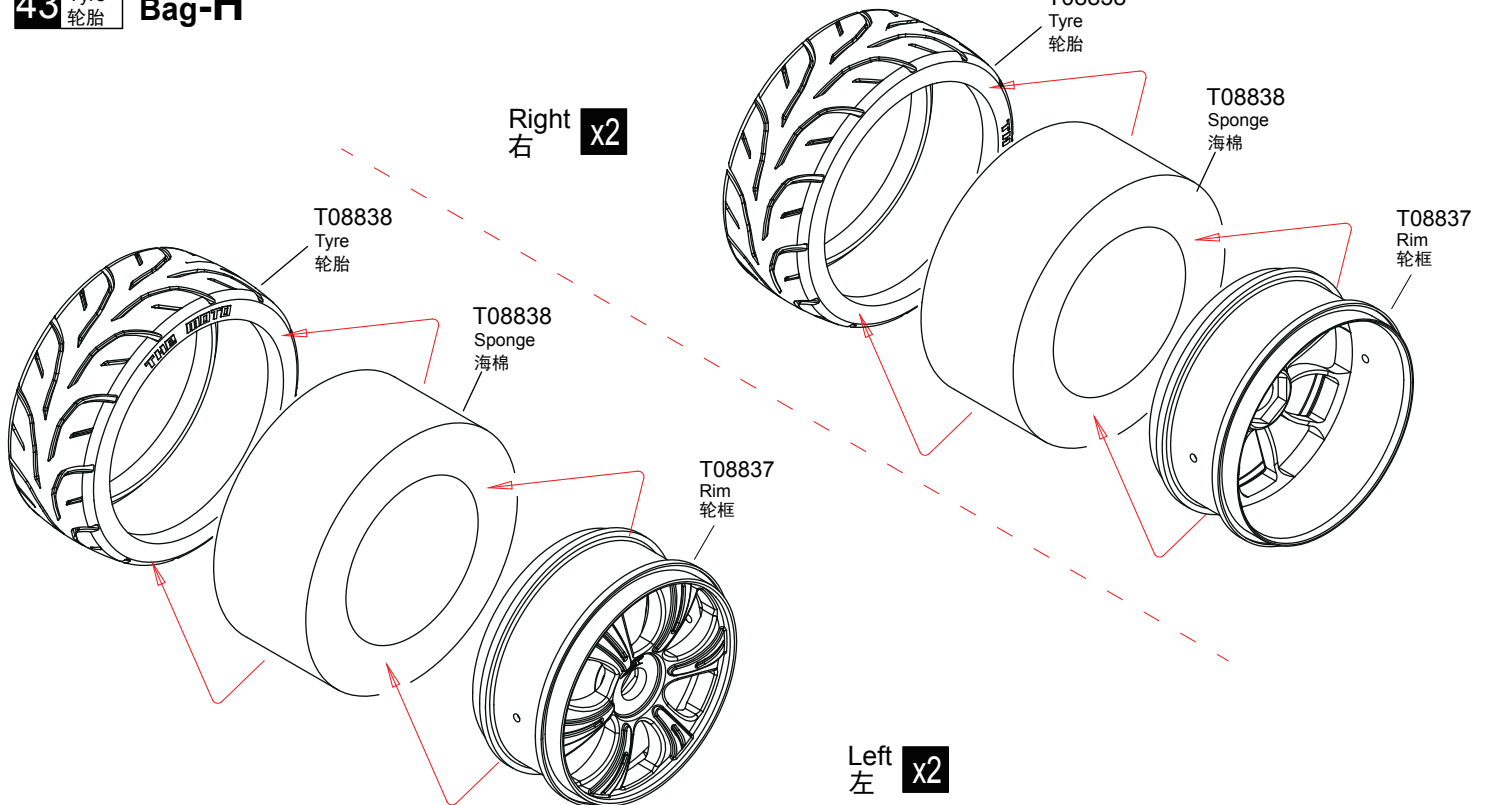
T08837
Rim
轮框

T08838
Tyre
轮胎

T08838
Sponge
海绵

T08837
Rim
轮框

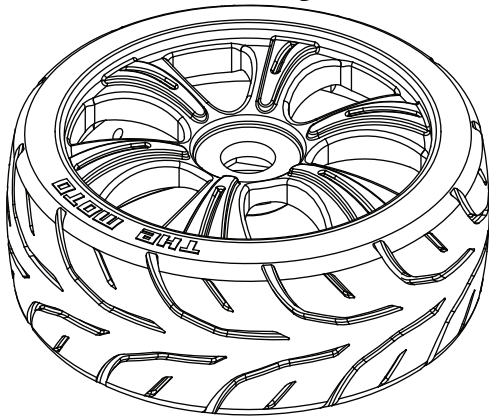
Left
左 **x2**



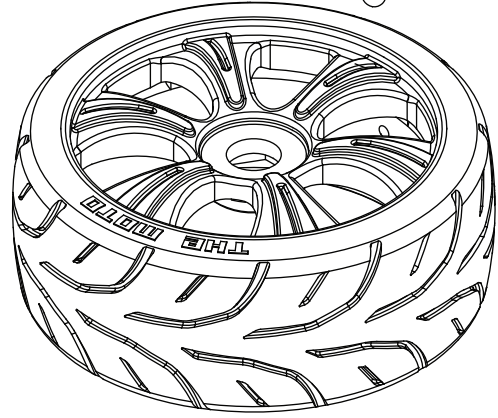
X Must be purchased separately
需另购物品

x2 Assemble as many times as specified
需组装数量

44 Tyre
轮胎



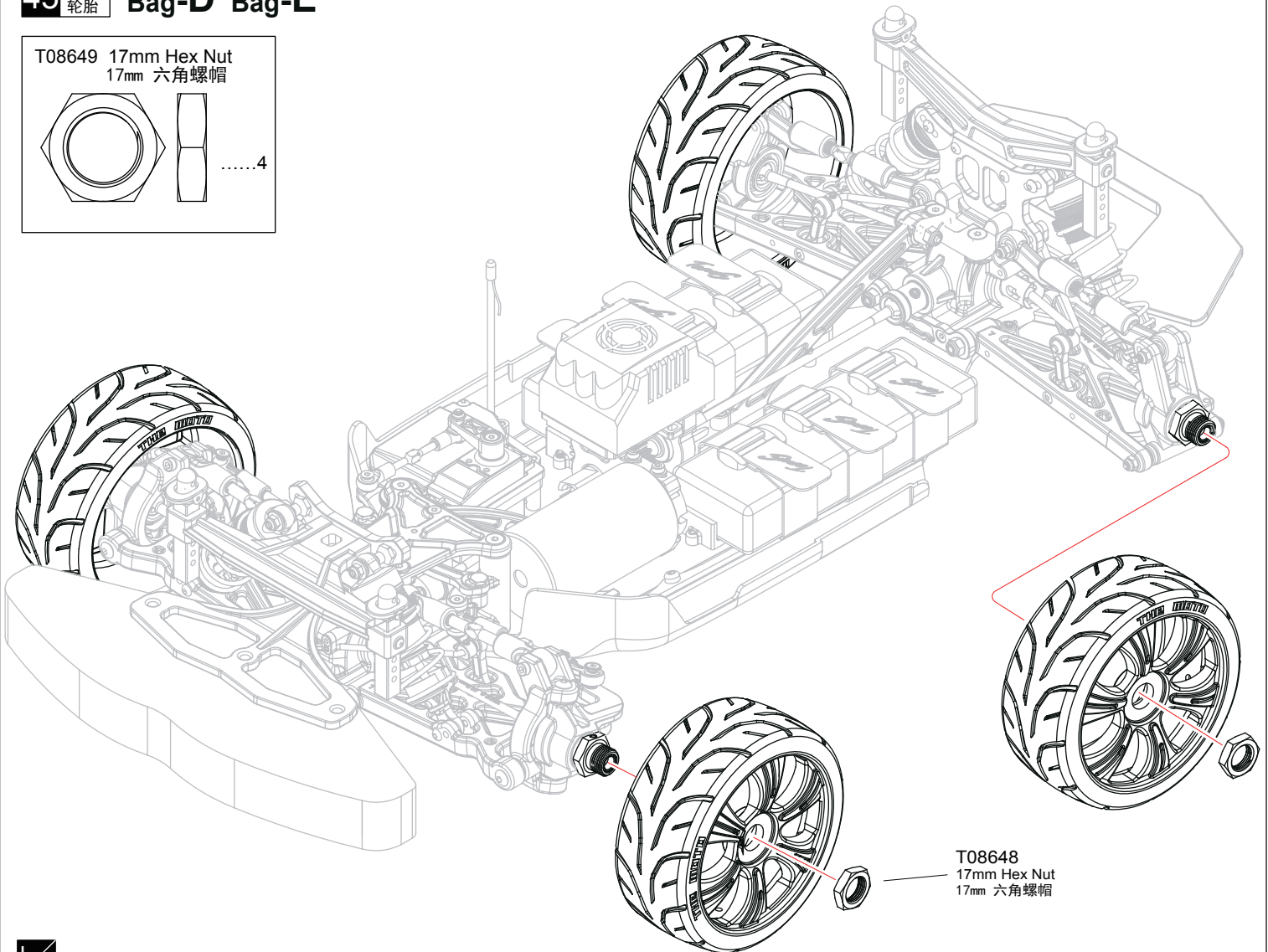
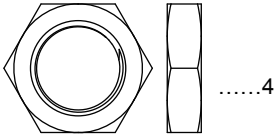
Left
左 x2



Right
右 x2

45 Tyre
轮胎 Bag-D Bag-E

T08649 17mm Hex Nut
17mm 六角螺帽



T08648
17mm Hex Nut
17mm 六角螺帽

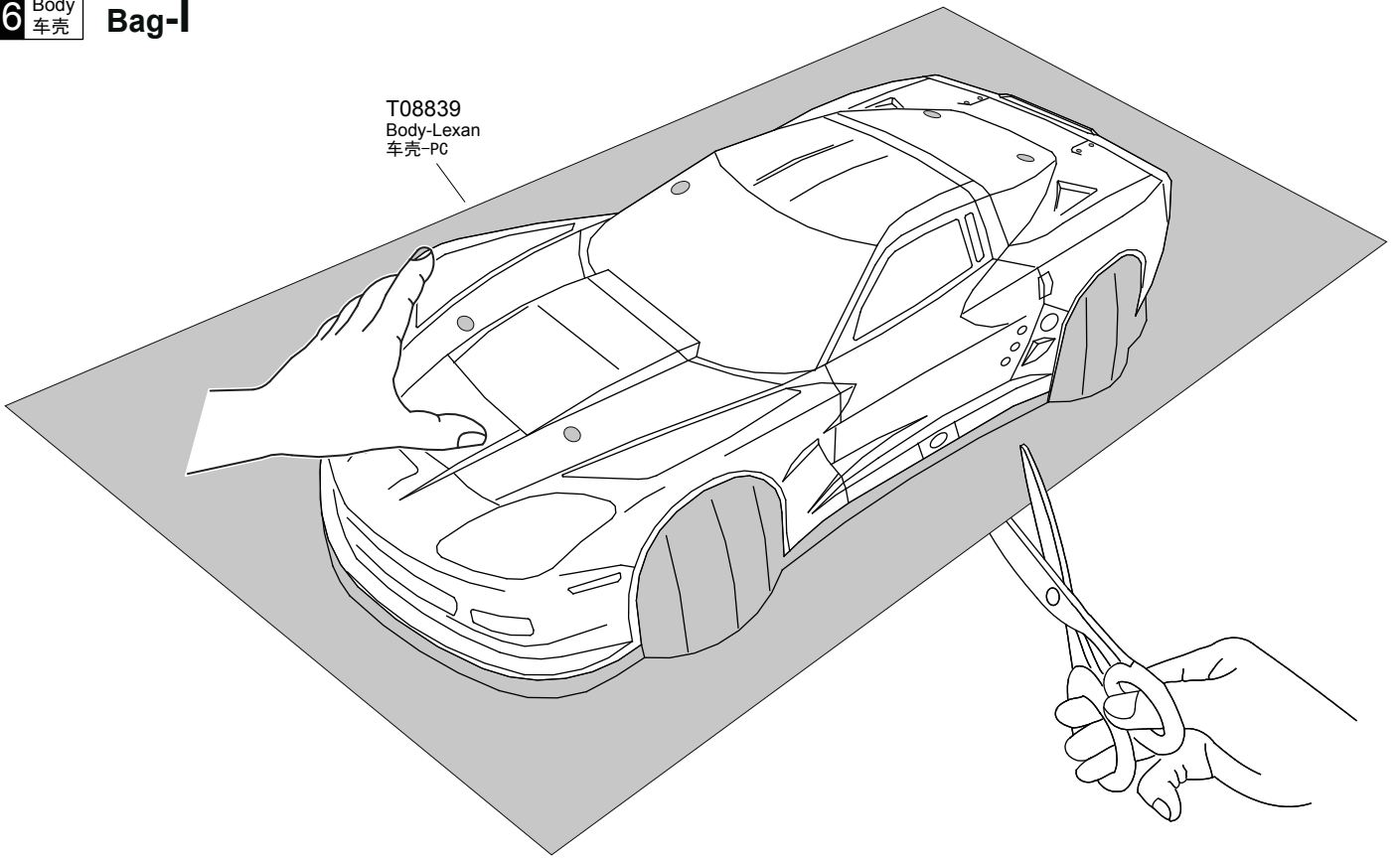


x2 Assemble as many times as specified
需组装数量

L/R Assemble both Left and Right
组装左和右

46 Body
车壳 Bag-I

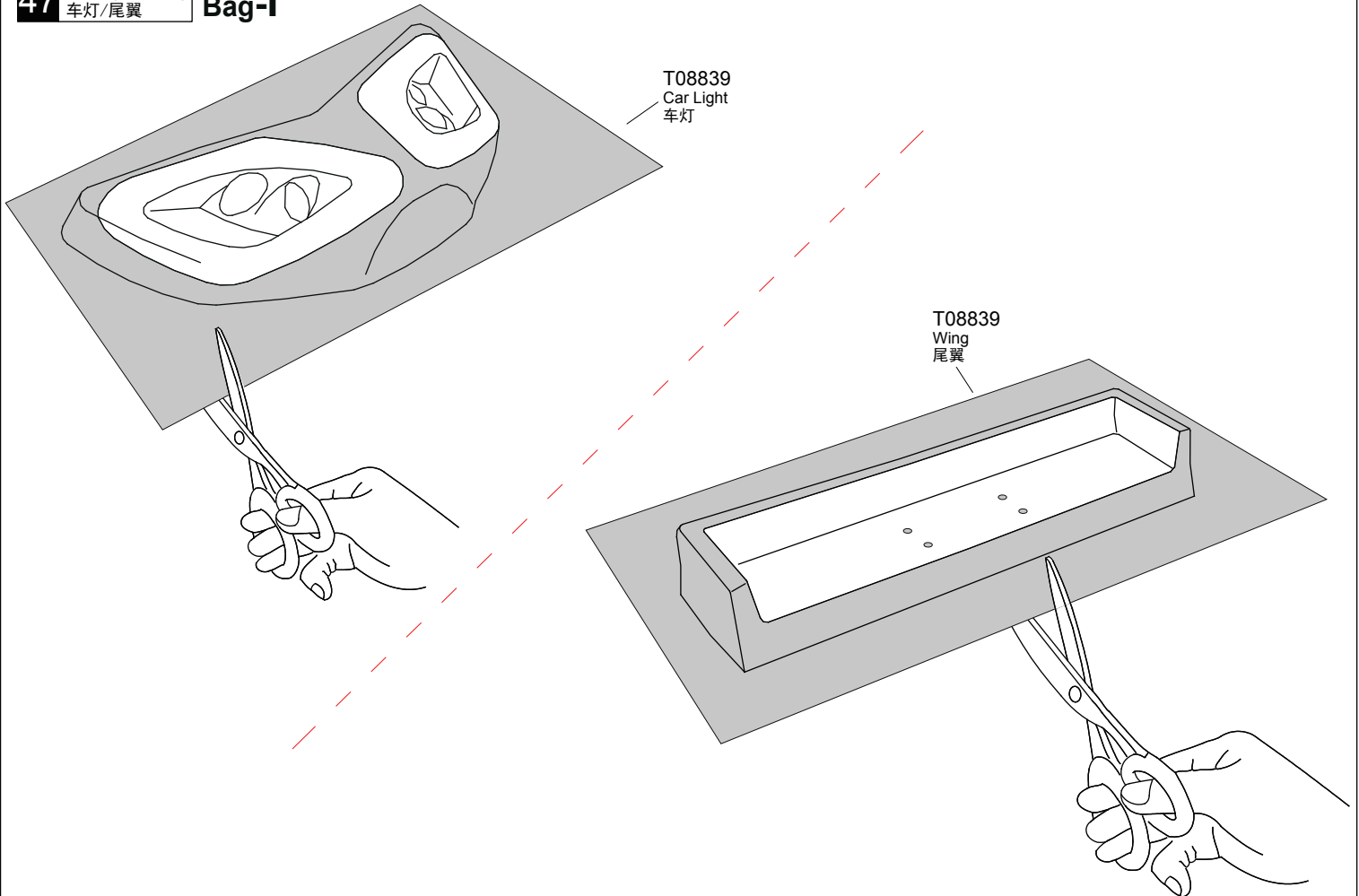
T08839
Body-Lexan
车壳-PC



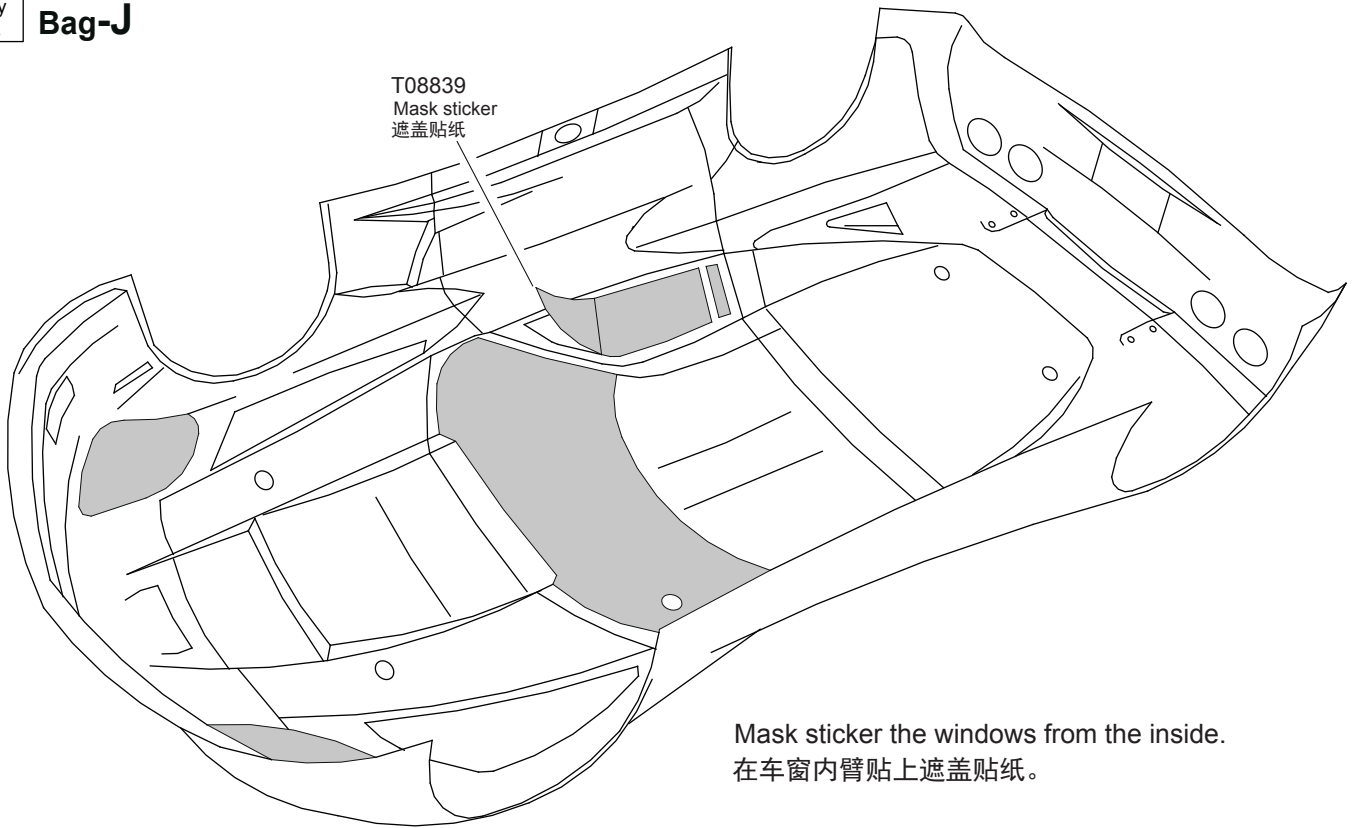
47 Car Light / Wing
车灯/尾翼 Bag-I

T08839
Car Light
车灯

T08839
Wing
尾翼

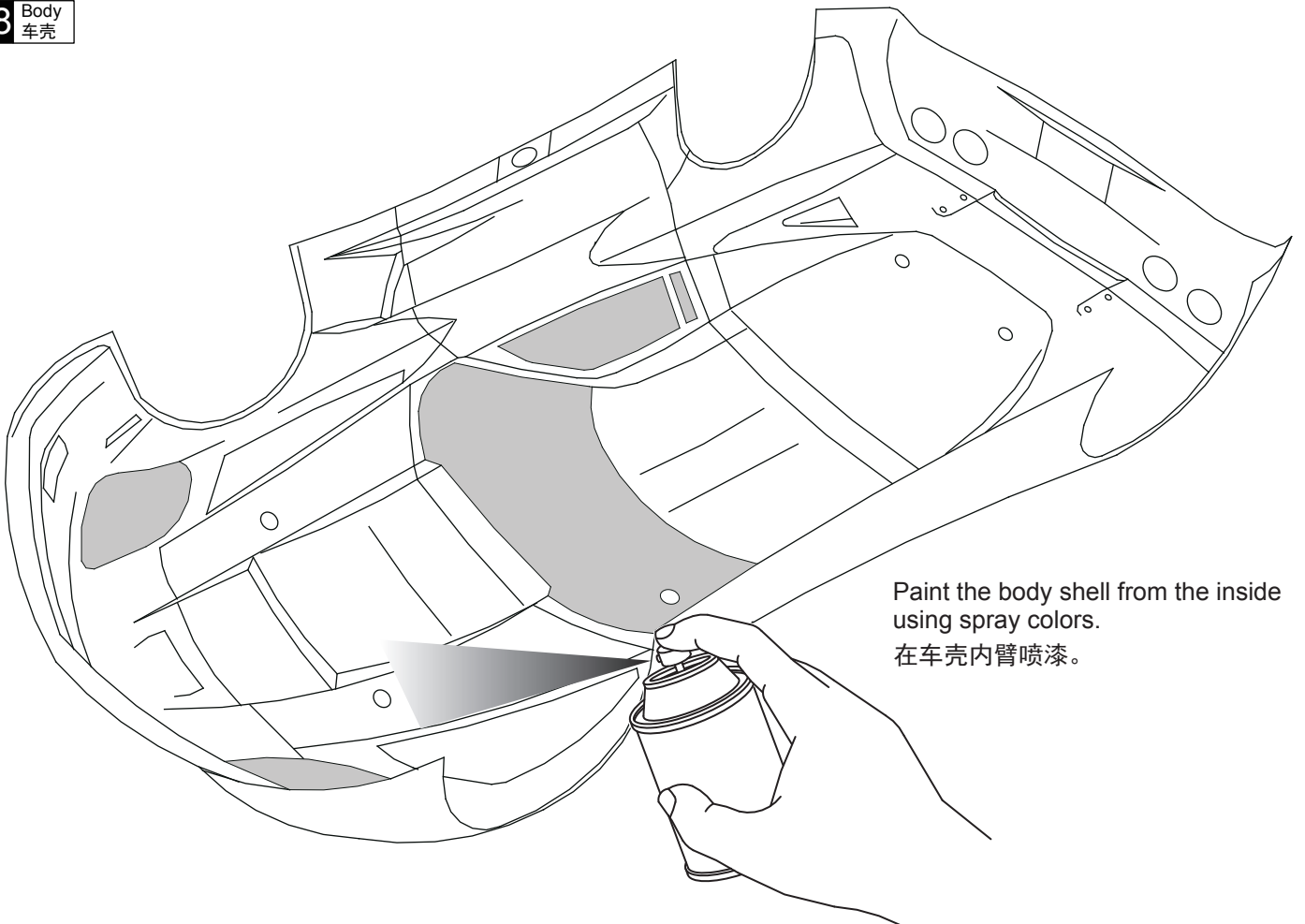


47 Body
车壳 **Bag-J**



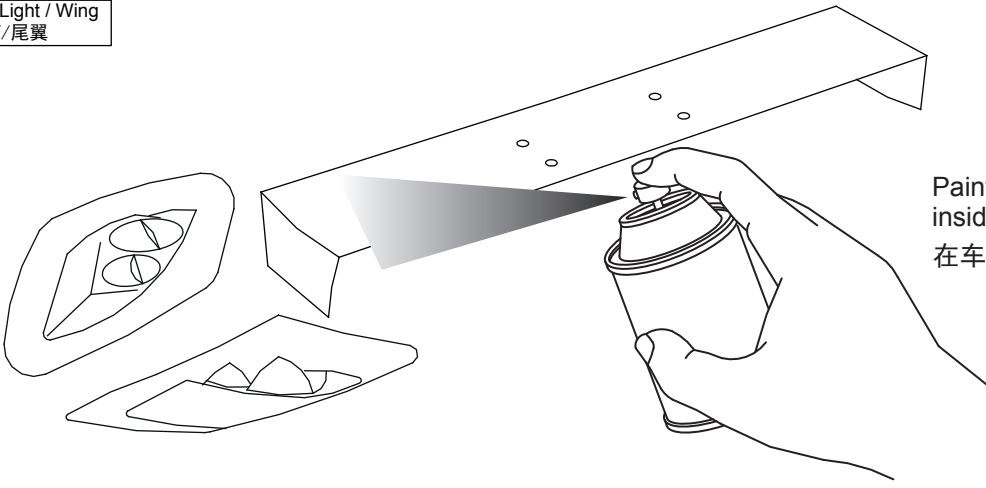
Mask sticker the windows from the inside.
在车窗内臂贴上遮盖贴纸。

48 Body
车壳



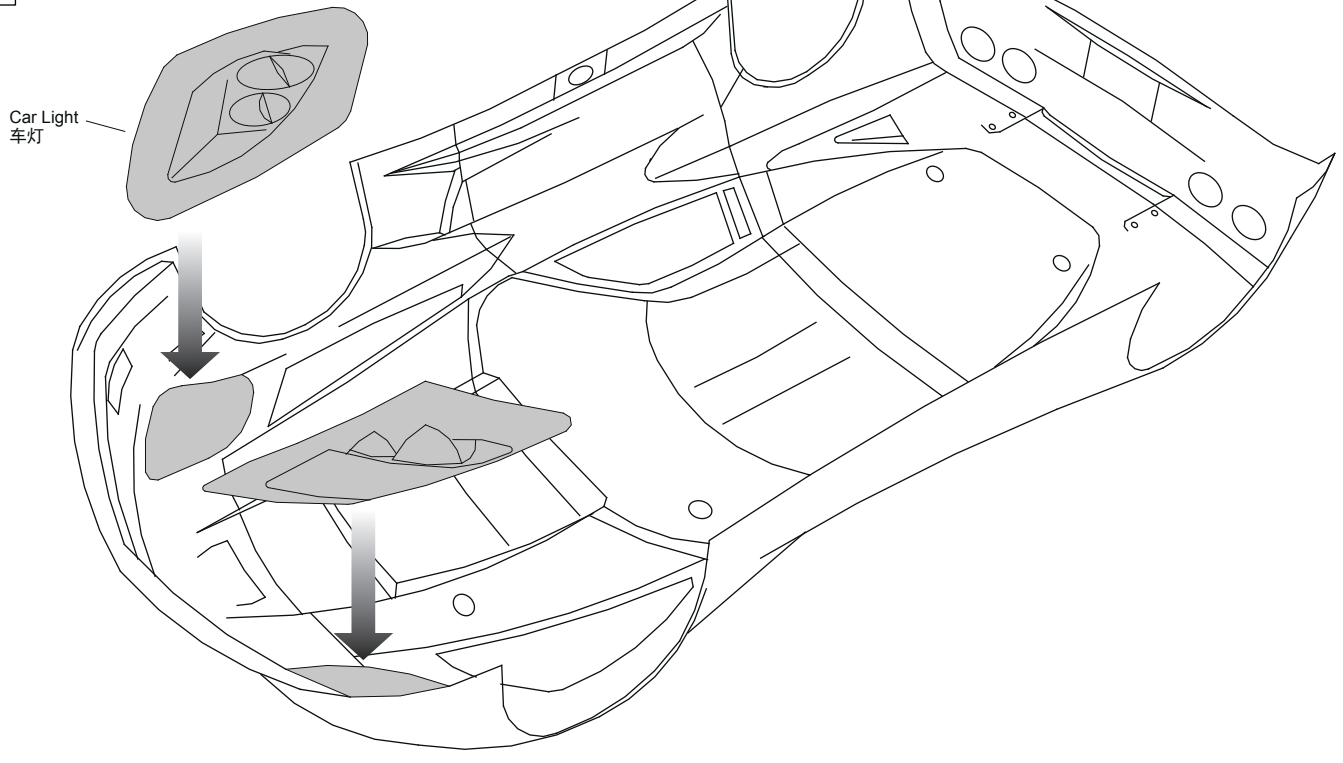
Paint the body shell from the inside
using spray colors.
在车壳内臂喷漆。

49 Car Light / Wing
车灯/尾翼

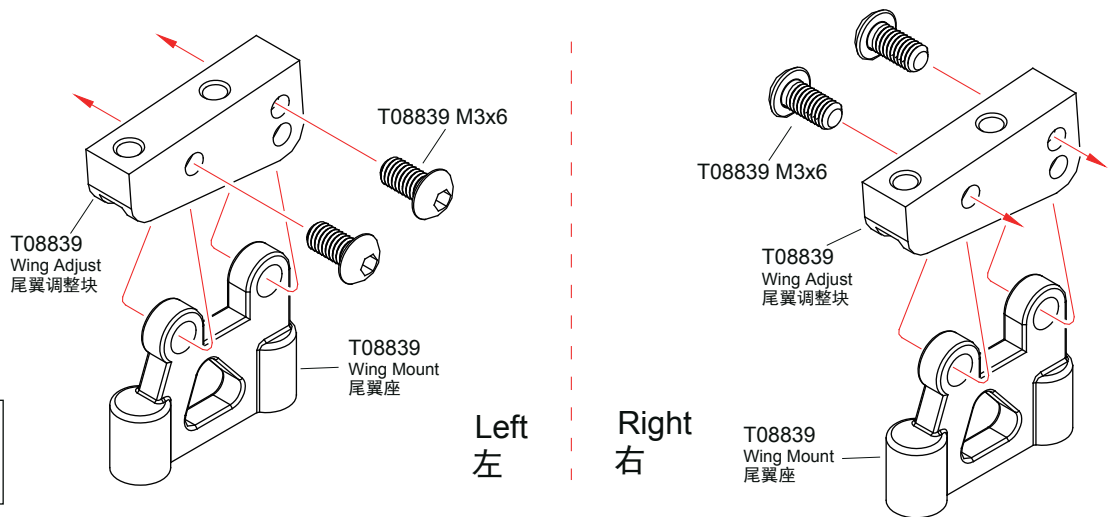


Paint the car light and wing from the inside using spray colors.
在车灯与尾翼内臂喷漆。

50 Car Light
车灯



51 Wing Mount
尾翼座 Bag-I

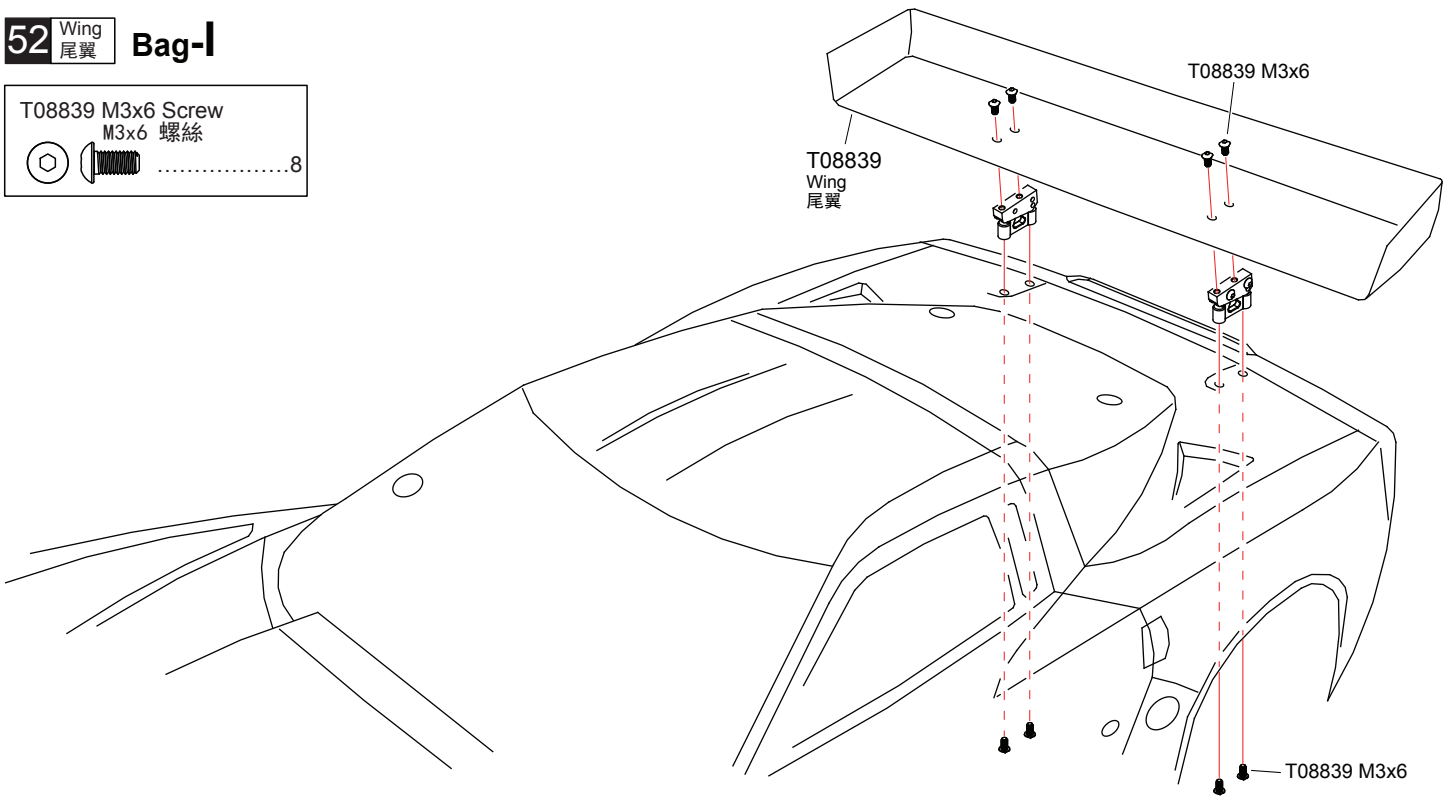


T08839 M3x6 Screw
M3x6 螺丝 4

Left 左 Right 右

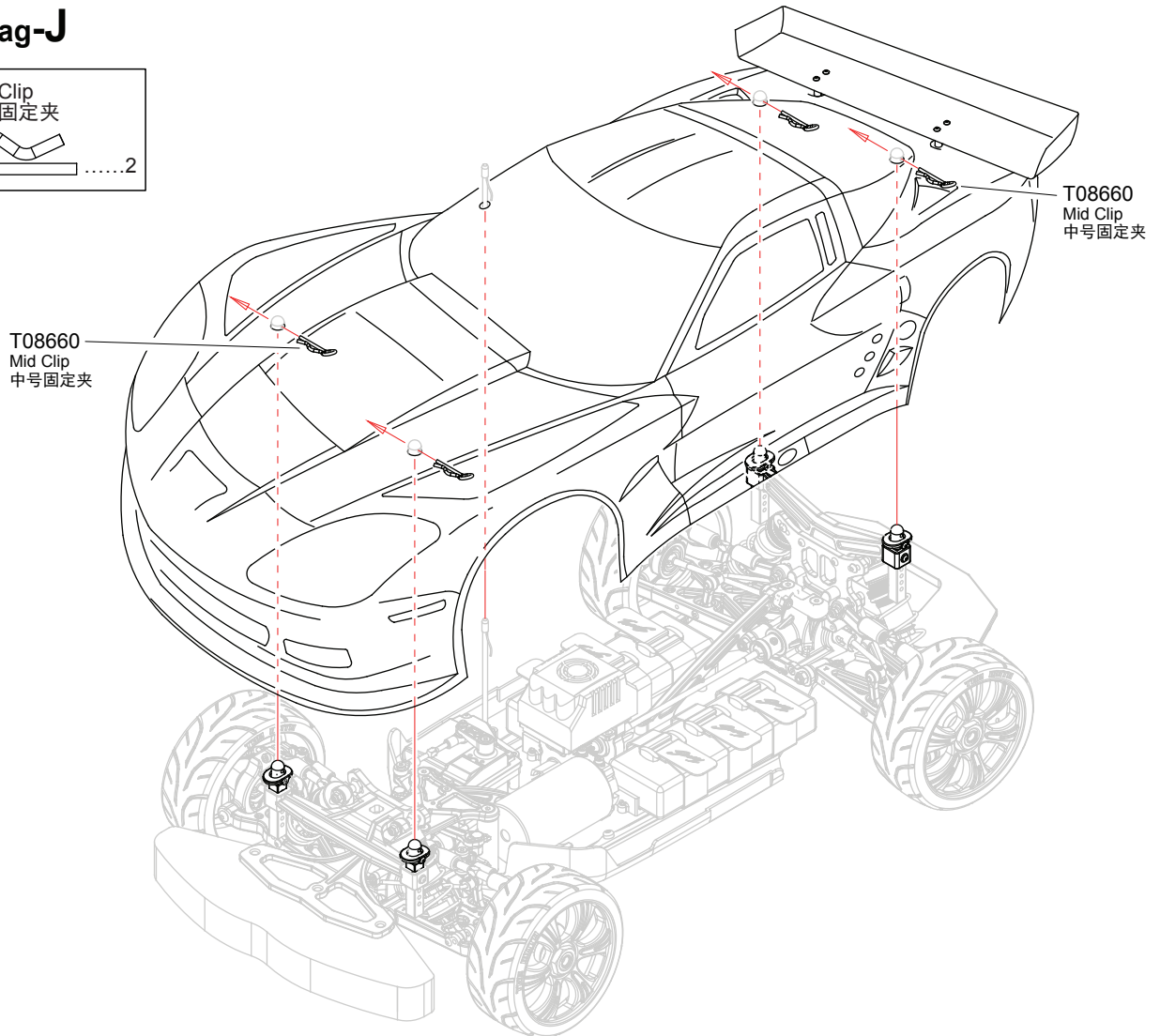
52 Wing
尾翼 **Bag-I**

T08839 M3x6 Screw
M3x6 螺絲8



53 Body
车壳 **Bag-J**

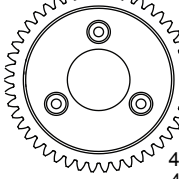
T08660 Mid Clip
中号固定夹2



Parts list for GT8LE 1/8 EP 4WD Touring Car-1

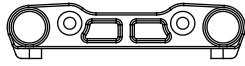
GT8LE 1/8电动四驱房车配件包-1

T08824



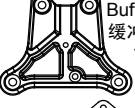
1pcs
46T Gear
46T 齿轮

T08827

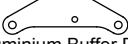


1pcs
Arm Mount Front-R
摆臂固定座前-R

T08828

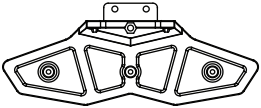


Buffer Plate-Plastic
缓冲顶板-塑胶
1pcs




Aluminum Buffer Plate-Black
铝缓冲顶板-黑色 1pcs

T08829



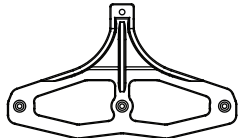
Front Bumper Plate-Lower
前防撞板-下 1pcs

T08830



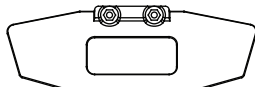
Front Bumper Sponge
前防撞海绵 1pcs

T08831



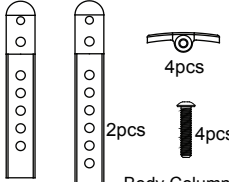
Front Bumper Plate-Upper
前防撞板-上 1pcs

T08832



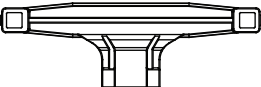
Rear Bumper Plate
后防撞板 1pcs

T08833




2pcs 4pcs
2pcs 4pcs
Body Column Set
车壳柱组

T08835



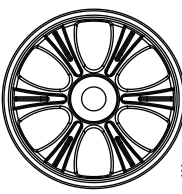
Front Body Mount
前车壳架 1pcs

T08836



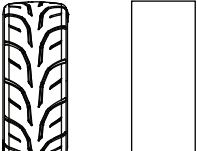
Rear Body Mount
后车壳架 1pcs

T08837



Rim
轮框
2pcs

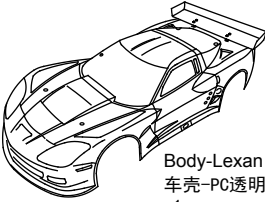
T08838



Tyre
轮胎 2pcs


Tyre Sponge
轮胎海绵 2pcs

T08839



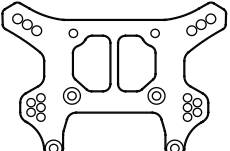
Body-Lexan
车壳-PC透明
1pcs

T08842



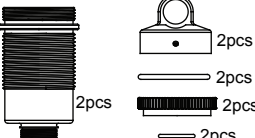
Front Shock Tower
前避震架 1pcs

T08843




Rear Shock Tower
后避震架 1pcs

T08844



2pcs 2pcs
2pcs 2pcs
Front Shock Body-Short
前避震筒身-短

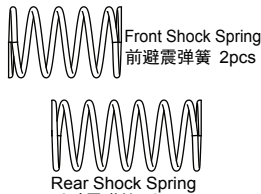
T08845



4pcs 4pcs
Front Shock Shaft
前避震轴 2pcs

Rear Shock Shaft
后避震轴 2pcs


T08846



Front Shock Spring
前避震弹簧 2pcs

Rear Shock Spring
后避震弹簧 2pcs

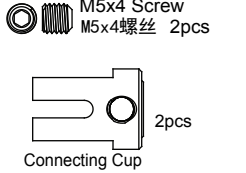
T08849



M5x4 Screw
M5x4螺丝 1pcs

128mm Center Rear CVD
128mm中后CVD
1pcs

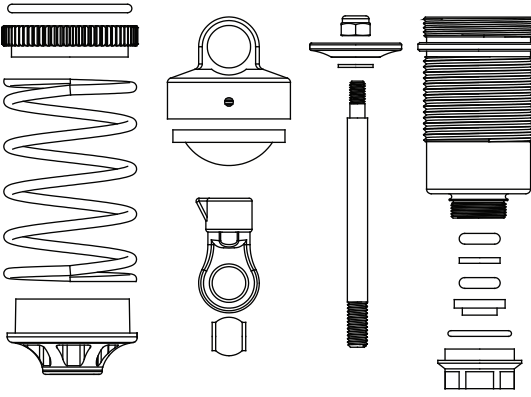
T08853



M5x4 Screw
M5x4螺丝 2pcs

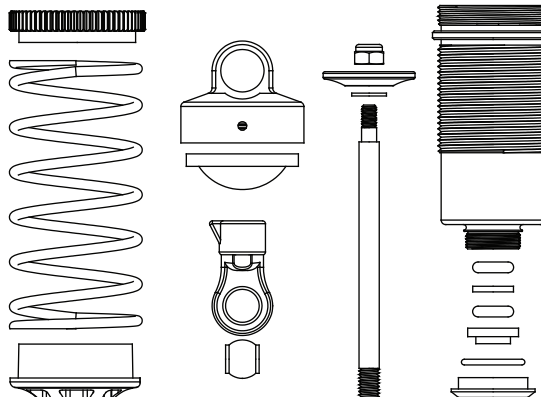
2pcs
Connecting Cup
接杯

T08847



Front Shock Absorber
前避震器 2Set

T08848



Rear Shock Absorber
后避震器 2Set

T08860




M2.5x13 Button Head Hex Screw
M2.5x13半圆头内六角螺丝
8pcs

T08861



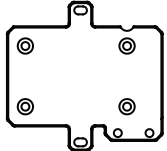
M2.5x15 Button Head Hex Screw
M2.5x15半圆头内六角螺丝
8pcs

T08862



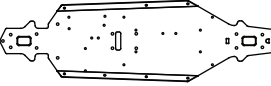
M3.5x28 Button Head Hex Screw
M3.5x28半圆头内六角螺丝
8pcs

T08865



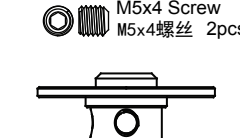
Center Diff Upper Plate
中差顶板 1pcs

T08866



Chassis
底盘 1pcs


T08867



M5x4 Screw
M5x4螺丝 2pcs

Solid Axle Gear Mount
直轴齿轮座 1pcs

T08868

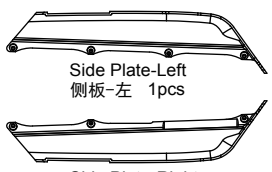


Solid Axle
直轴 1pcs

Parts list for GT8LE 1/8 EP 4WD Touring Car-2

GT8LE 1/8电动四驱房车配件包-2

TG8003

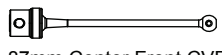


Side Plate-Left
侧板-左 1pcs

Side Plate-Right
侧板-右 1pcs

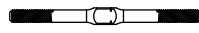
TG8016

M5x4 Screw
M5x4 螺丝 1pcs



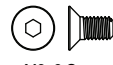
87mm Center Front CVD
87mm中前CVD 1pcs

TG8019



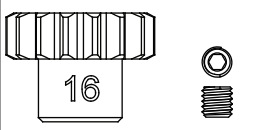
3x45 Turnbuckle
3x45拉杆 2pcs

TG8030



M3x6 Screw
M3x6螺丝 8pcs

H396

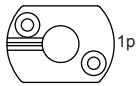


16T Pinion Gear
16T马达齿 1pcs

M4x4 Screw
M4x4 螺丝 1pcs

T08686

Center Differential Mount / Motor Mount
中央差速器固定座/马达固定座



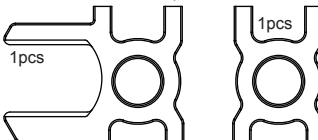
1pcs

M3x12 Screw
M3x12 螺丝 1pcs

M3x14 Screw
M3x14 螺丝 1pcs

M4x14 Screw
M4x14 螺丝 2pcs

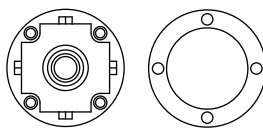
3x7x0.8 Washer
3x7x0.8 垫片 2pcs



Differential Housing
差速壳 1pcs

Differential Pads
差速垫片 1pcs

T08600




Differential Housing
差速壳 1pcs

Differential Pads
差速垫片 1pcs

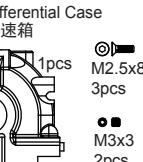
O-ring
O环 1pcs

T08601

Swaybar Mount
防倾杆固定座 1pcs



Differential Case
差速箱 1pcs

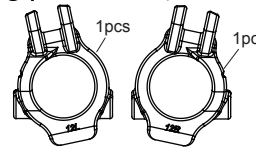


M2.5x8
3pcs

M3x3
2pcs

T08603

King Pin Bushing
大王销轴套 4pcs



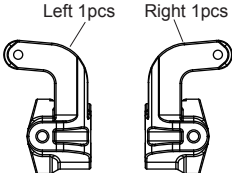
1pcs

1pcs

Front Hub Carriers 12 Degree
前轮轴12度

T08604

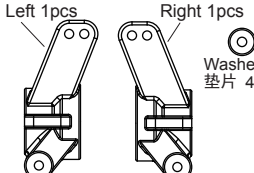
Left 1pcs Right 1pcs



Steering Block
转向臂

T08605

Left 1pcs Right 1pcs

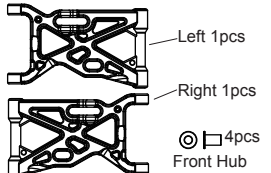


Washer
垫片 4pcs

Rear Hub Carriers
后轮轴

T08607

Left 1pcs Right 1pcs

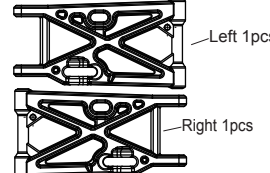


Front Lower Arm
前下摆臂

4pcs
Front Hub Carrier Bushing
前轮轴轴套

T08608

Left 1pcs Right 1pcs

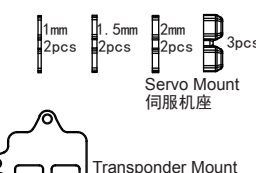


Rear Lower Arm
后下摆臂

2pcs

T08616

1mm 2pcs 1.5mm 2pcs 2mm 2pcs 3pcs

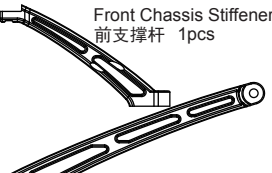


Servo Mount
伺服机座

Transponder Mount
感应器架 1pcs

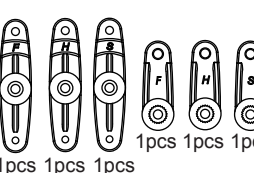
T08619

Front Chassis Stiffener
前支撑杆 1pcs



T8 Rear Chassis Stiffener
T8后支撑杆 1pcs

T08620

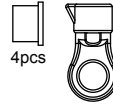


Servo Arm
伺服臂

1pcs 1pcs 1pcs 1pcs 1pcs 1pcs


T08622

Ball End
球头座 4pcs




4pcs

6.8 Ball stud
6.8 球头 4pcs



Ball stud
球头 4pcs

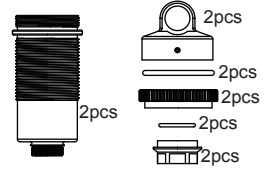
Spring Mount
弹簧固定座



4pcs

T08625

Rear Shock Body-Long
后避震筒身-长



2pcs


2pcs

2pcs

2pcs

T08627

Diaphragm
气室 4pcs



1mm Plastic Washer
1mm 塑胶垫片 4pcs


2.75mm Plastic Washer
2.75mm 塑胶垫片 4pcs

3.3x1.9 O-ring
3.3x1.9 O环 8pcs


Shock Piston
避震活塞 4pcs

T08633


20T Diff Gear
20T差速齿轮 2pcs



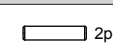
10T Diff Gear
10T差速齿轮 4pcs




Diff Shaft
差速轴 2pcs




2.5x11.5 Pin
2.5x11.5 钢针 2pcs



4.1x12x0.2 Washer
4.1x12x0.2 垫片 4pcs

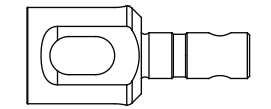


6.1x11x0.2 Washer
6.1x11x0.2 垫片 2pcs



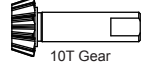
T08634

Front/Rear Diff Connecting Cup
前后差速接杯 2pcs




T08636


10T Gear
10T 齿轮 1pcs



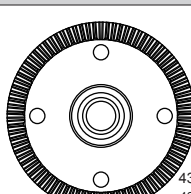
O-ring
O环 1pcs



M3x12 Screw
M3x12 螺丝 4pcs

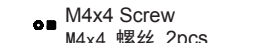


43T Front/Rear Diff Gear
43T 前/后差速伞齿 1pcs

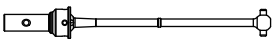


T08639

M4x4 Screw
M4x4 螺丝 2pcs

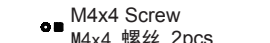


95.5mm Front CVD
95.5mm前CVD 2pcs




T08640

M4x4 Screw
M4x4 螺丝 2pcs

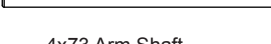


94mm Rear CVD
94mm后CVD 2pcs



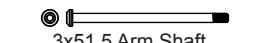
T08645

4x73 Arm Shaft
4x73 摆臂轴 2pcs

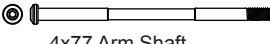


T08646

3x51.5 Arm Shaft
3x51.5 摆臂轴 2pcs

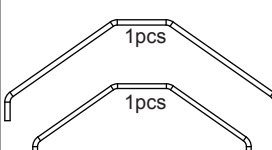


4x77 Arm Shaft
4x77 摆臂轴 2pcs



T08647


1pcs 1pcs




Front/Rear Swaybar
前后防倾杆

T08649


Wheel Hex Hub
六角轮座 4pcs



17mm Hex Nut
17mm六角螺母 4pcs

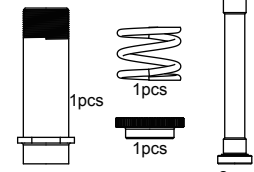


2.5x16.8 Pin
2.5x16.8 销子 4pcs



T08650

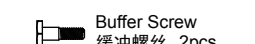
Servo Saver Set
缓冲组




1pcs 1pcs 1pcs 2pcs

T08651

Buffer Screw
缓冲螺丝 2pcs




Steering Rack
转向缓冲转接板 1pcs




T08660

Small Clip
小号固定夹 8pcs




Mid Clip
中号固定夹 8pcs



T08662

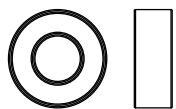
6x10x3 Ball Bearing
6x10x3 轴承 6pcs



Parts list for GT8LE 1/8 EP 4WD Touring Car-3

GT8LE 1/8电动四驱房车配件包-3

T08663



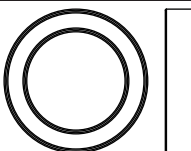
6x13x5 Ball Bearing
6x13x5 轴承
6pcs

T08664



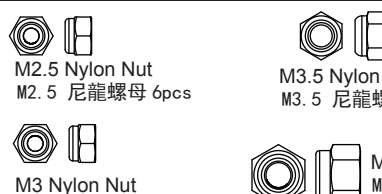
8x16x5 Ball Bearing
8x16x5 轴承
6pcs

T08665



13x19x4 Ball Bearing
13x19x4 轴承
6pcs

T08666




M2.5 Nylon Nut
M2.5 尼龍螺母 6pcs

M3 Nylon Nut
M3 尼龍螺母 6pcs

M3.5 Nylon Nut
M3.5 尼龍螺母 6pcs

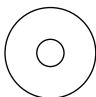
M4 Nylon Nut
M4 尼龍螺母 6pcs

T08667




2.7x5.8x0.5 Washer
2.7x5.8x0.5 墊片
6pcs

T08668




4.1x12x0.2 Washer
4.1x12x0.2 墊片 6pcs

T08669



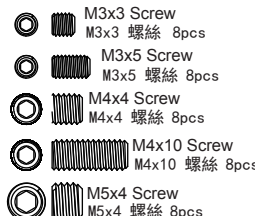
6.1x11x0.2 Washer
6.1x11x0.2 墊片 12pcs

T08670



3.5x9x1.0 Washer
3.5x9x1.0 墊片 6pcs

T08675



M3x3 Screw
M3x3 螺絲 8pcs

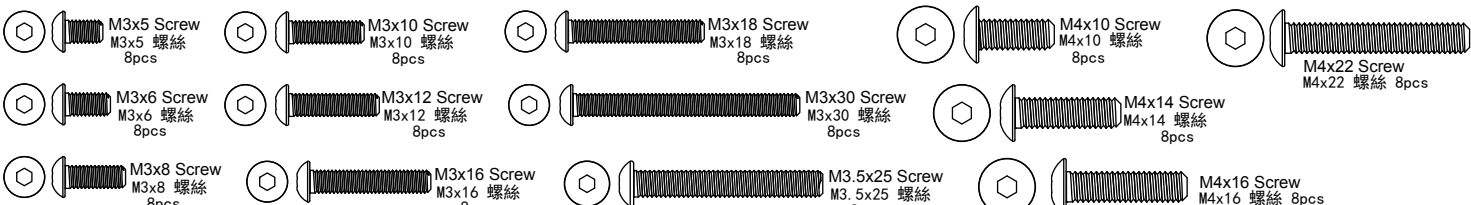
M3x5 Screw
M3x5 螺絲 8pcs

M4x4 Screw
M4x4 螺絲 8pcs

M4x10 Screw
M4x10 螺絲 8pcs

M5x4 Screw
M5x4 螺絲 8pcs

T08673



M3x5 Screw
M3x5 螺絲 8pcs

M3x10 Screw
M3x10 螺絲 8pcs

M3x18 Screw
M3x18 螺絲 8pcs

M4x10 Screw
M4x10 螺絲 8pcs

M4x22 Screw
M4x22 螺絲 8pcs

M3x6 Screw
M3x6 螺絲 8pcs

M3x12 Screw
M3x12 螺絲 8pcs

M3x30 Screw
M3x30 螺絲 8pcs

M4x14 Screw
M4x14 螺絲 8pcs

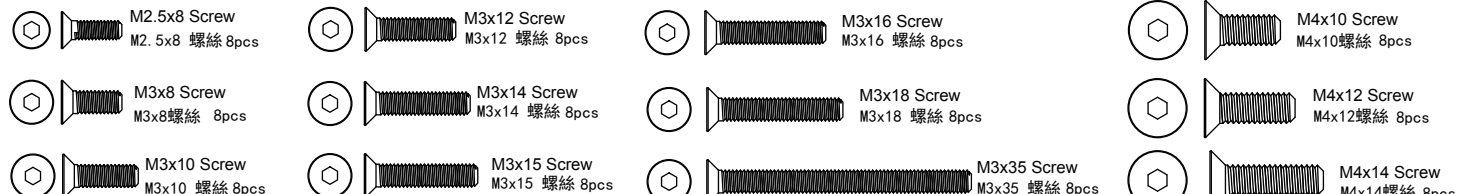
M3x8 Screw
M3x8 螺絲 8pcs

M3x16 Screw
M3x16 螺絲 8pcs

M3.5x25 Screw
M3.5x25 螺絲 8pcs

M4x16 Screw
M4x16 螺絲 8pcs

T08674



M2.5x8 Screw
M2.5x8 螺絲 8pcs

M3x12 Screw
M3x12 螺絲 8pcs

M3x16 Screw
M3x16 螺絲 8pcs

M4x10 Screw
M4x10 螺絲 8pcs

M3x8 Screw
M3x8 螺絲 8pcs

M3x14 Screw
M3x14 螺絲 8pcs

M3x18 Screw
M3x18 螺絲 8pcs

M4x12 Screw
M4x12 螺絲 8pcs

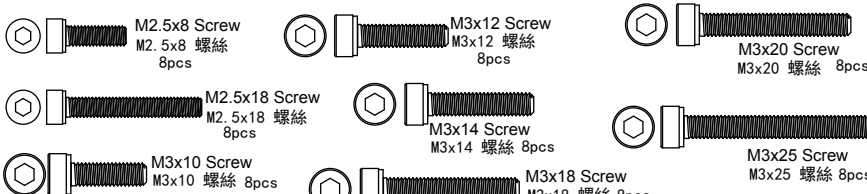
M3x10 Screw
M3x10 螺絲 8pcs

M3x15 Screw
M3x15 螺絲 8pcs

M3x35 Screw
M3x35 螺絲 8pcs

M4x14 Screw
M4x14 螺絲 8pcs

T08676



M2.5x8 Screw
M2.5x8 螺絲 8pcs

M3x12 Screw
M3x12 螺絲 8pcs

M3x20 Screw
M3x20 螺絲 8pcs

M2.5x18 Screw
M2.5x18 螺絲 8pcs


M3x14 Screw
M3x14 螺絲 8pcs

M3x25 Screw
M3x25 螺絲 8pcs

M3x10 Screw
M3x10 螺絲 8pcs

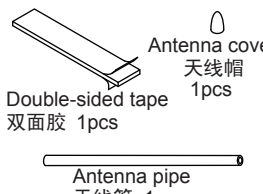
M3x18 Screw
M3x18 螺絲 8pcs

T02081



3x7x0.8 Washer
3x7x0.8 墊片 10pcs

T02087

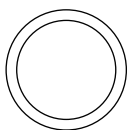


Antenna cover
天线帽 1pcs

Double-sided tape
双面胶 1pcs

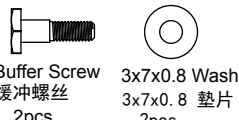
Antenna pipe
天线管 1pcs

T08304



13.1x15.9x0.2 Washer
13.1x15.9x0.2 墊片 6pcs

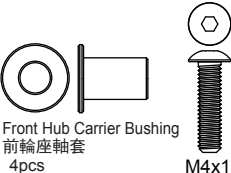
T08750



Buffer Screw
缓冲螺丝 2pcs

3x7x0.8 Washer
3x7x0.8 墊片 2pcs


T08751



Front Hub Carrier Bushing
前輪座軸套 4pcs

M4x16
4pcs


T08752



King Pin Bushing
大王銷軸套 4pcs


M4x14
4pcs

T08753




6.8 Ball Stud-Steering
6.8球頭-轉向 6pcs

T08754



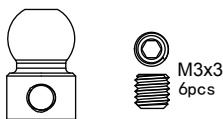
6.8 Ball Stud-Steering
6.8球頭-轉向 6pcs

T08755



6.8 Ball Stud-Swaybar/Shock
6.8球頭-防傾杆/避震器 6pcs

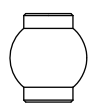
T08756



6.8 Ball Stud-Swaybar
6.8球頭-防傾杆 6pcs

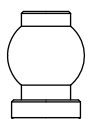
M3x3
6pcs

T08757



7.8 Ball Stud-Front/Rear Upper
7.8球頭-前/后上 6pcs


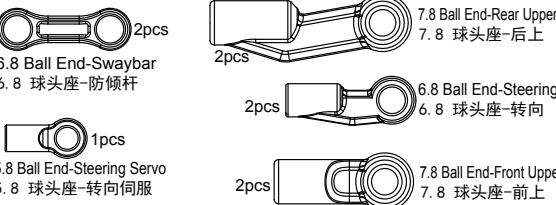
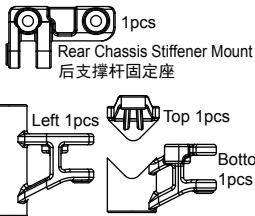
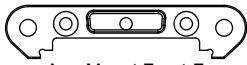


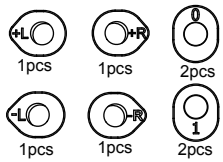
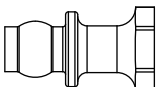
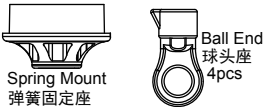
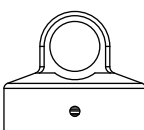
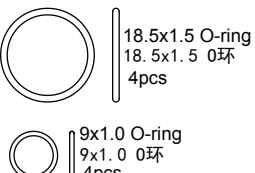
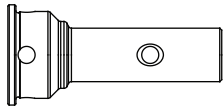



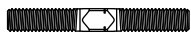
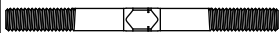

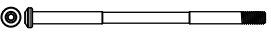
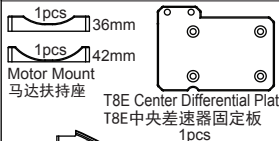
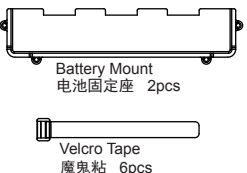
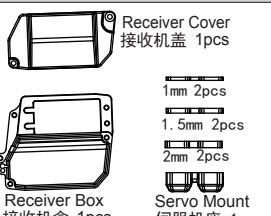
T08758



7.8 Ball Stud-Front/Rear Upper
7.8球頭-前/后上 6pcs

Parts list for GT8LE 1/8 EP 4WD Touring Car-4

GT8LE 1/8电动四驱房车配件包-4

<p>T08759</p>  <p>5.8 Ball Stud-Steering Servo 5.8球头-转向伺服 6pcs</p>	<p>T08760</p>  <p>6.8 Ball End-Swaybar 6.8 球头座-防倾杆 2pcs</p> <p>5.8 Ball End-Steering Servo 5.8 球头座-转向伺服 1pcs</p> <p>7.8 Ball End-Rear Upper 7.8 球头座-后上 2pcs</p> <p>6.8 Ball End-Steering 6.8 球头座-转向 2pcs</p> <p>7.8 Ball End-Front Upper 7.8 球头座-前上 2pcs</p>	<p>T08762</p>  <p>Rear Chassis Stiffener Mount 后支撑杆固定座 1pcs</p> <p>Left 1pcs</p> <p>Top 1pcs</p> <p>Bottom 1pcs</p>	<p>T08763</p>  <p>Arm Mount Front-F 摆臂固定座前-F 1pcs</p>	
<p>T08765</p>  <p>Arm Mount Rear-F 摆臂固定座后-F 1pcs</p>	<p>T08766</p>  <p>Arm Mount Rear-R 摆臂固定座后-R 1pcs</p>	<p>T08767</p>  <p>Arm Adjust Set 摆臂调节座组</p> <p>1pcs 1pcs 2pcs 1pcs 1pcs 2pcs</p>	<p>T08768</p>  <p>Shock Top Ball stud 避震上球头 4pcs</p>	<p>T08769</p>  <p>Spring Mount 弹簧固定座 4pcs</p> <p>Ball End 球头座 4pcs</p> <p>Shock Top Mount 避震上固定座 4pcs</p>
<p>T08770</p>  <p>Shock Absorber Top cover 避震器上盖 4pcs</p>	<p>T08771</p>  <p>18.5x1.5 O-ring 18.5x1.5 O环 4pcs</p> <p>9x1.0 O-ring 9x1.0 O环 4pcs</p>	<p>T08772</p>  <p>CVD Connecting Cup CVD接杯 2pcs</p>	<p>T08773</p>  <p>5x8.5 Shaft 5x8.5轴 2pcs</p> <p>2.5x12.8 Pin 2.5x12.8钢针 2pcs</p> <p>94mm Drive Shaft 94mm传动轴 2pcs</p>	<p>T08774</p>  <p>5x8.5 Shaft 5x8.5轴 2pcs</p> <p>2.5x12.8 Pin 2.5x12.8钢针 2pcs</p> <p>95.5mm Drive Shaft 95.5mm传动轴 2pcs</p>
<p>T08776</p>  <p>4x53 Turnbuckle 4x53拉杆 2pcs</p>	<p>T08777</p>  <p>5x40 Turnbuckle 5x40拉杆 2pcs</p>	<p>T08778</p>  <p>5x58 Turnbuckle 5x58拉杆 2pcs</p>	<p>T08779</p>  <p>3x51.5 Arm Shaft 3x51.5摆臂轴 2pcs</p>	<p>T08780</p>  <p>4x77 Arm Shaft 4x77摆臂轴 2pcs</p>
<p>T08786 M2.5 Nylon Nut M2.5 尼龙螺母 6pcs</p> <p>T08787 M3.5 Nylon Nut M3.5 尼龙螺母 6pcs</p> <p>T08789 M3x6 Button Head Hex Screw M3x6半圆头内六角螺丝 8pcs</p> <p>T08790 M3x8 Button Head Hex Screw M3x8半圆头内六角螺丝 8pcs</p> <p>T08791 M3x10 Button Head Hex Screw M3x10半圆头内六角螺丝 8pcs</p> <p>T08792 M3x12 Button Head Hex Screw M3x12半圆头内六角螺丝 8pcs</p> <p>T08793 M3x15 Button Head Hex Screw M3x15半圆头内六角螺丝 8pcs</p> <p>T08794 M3x16 Button Head Hex Screw M3x16半圆头内六角螺丝 8pcs</p> <p>T08795 M3x18 Button Head Hex Screw M3x18半圆头内六角螺丝 8pcs</p> <p>T08797 M3.5x25 Button Head Hex Screw M3.5x25半圆头内六角螺丝 8pcs</p> <p>T08799 M4x14 Button Head Hex Screw M4x14半圆头内六角螺丝 8pcs</p> <p>T08800 M4x16 Button Head Hex Screw M4x16半圆头内六角螺丝 8pcs</p> <p>T08801 M4x22 Button Head Hex Screw M4x22半圆头内六角螺丝 8pcs</p> <p>T08802 M2.5x8 Flat Head Hex Screw M2.5x8平头内六角螺丝 8pcs</p> <p>T08803 M3x8 Flat Head Hex Screw M3x8平头内六角螺丝 8pcs</p>	<p>T08804 M3x10 Flat Head Hex Screw M3x10平头内六角螺丝 8pcs</p> <p>T08805 M3x12 Flat Head Hex Screw M3x12平头内六角螺丝 8pcs</p> <p>T08806 M3x14 Flat Head Hex Screw M3x14平头内六角螺丝 8pcs</p> <p>T08807 M3x15 Flat Head Hex Screw M3x15平头内六角螺丝 8pcs</p> <p>T08808 M3x16 Flat Head Hex Screw M3x16平头内六角螺丝 8pcs</p> <p>T08809 M3x18 Flat Head Hex Screw M3x18平头内六角螺丝 8pcs</p> <p>T08810 M3x35 Flat Head Hex Screw M3x35平头内六角螺丝 8pcs</p> <p>T08811 M4x10 Flat Head Hex Screw M4x10平头内六角螺丝 8pcs</p> <p>T08812 M4x12 Flat Head Hex Screw M4x12平头内六角螺丝 8pcs</p> <p>T08813 M4x14 Flat Head Hex Screw M4x14平头内六角螺丝 8pcs</p> <p>T08814 M3x5 Set Screw M3x5机米螺丝 8pcs</p> <p>T08815 M4x10 Set Screw M4x10机米螺丝 8pcs</p> <p>T08816 M5x4 Set Screw M5x4机米螺丝 8pcs</p> <p>T08819 M3x25 Cap Head Screw M3x25圆柱头螺丝 8pcs</p> <p>84002 M4x4 Set Screw M4x4机米螺丝 8pcs</p>	<p>T08820</p>  <p>1pcs 36mm</p> <p>1pcs 42mm</p> <p>Motor Mount 马达扶持座</p> <p>T8E Center Differential Plate T8E中央差速器固定板 1pcs</p> <p>Front Chassis Stiffener 前支撑杆 1pcs</p> <p>T08821</p>  <p>Battery Mount 电池固定座 2pcs</p> <p>Velcro Tape 魔鬼毡 6pcs</p> <p>T08822</p>  <p>Receiver Cover 接收机盖 1pcs</p> <p>1mm 2pcs</p> <p>1.5mm 2pcs</p> <p>2mm 2pcs</p> <p>Receiver Box 接收机盒 1pcs</p> <p>Servo Mount 伺服机座 1pcs</p>		

Parts list for GT8LE 1/8 EP 4WD Touring Car-5

GT8LE 1/8电动四驱房车配件包-5

83001	M3x12 Cap Head Screw M3x12圆柱头螺丝	8pcs
T08219	M3x14 Cap Head Screw M3x14圆柱头螺丝	8pcs
T08220	M3x18 Cap Head Screw M3x18 圆柱头螺丝	8pcs
511129	Mid Clip 中号固定夹	10pcs
511190	Small Clip 小号固定夹	10pcs
84001	M3x3 Set Screw M3x3机米螺丝	8pcs
87004	M3 Nylon Nut M3尼龙螺母	6pcs
87006	M4 Nylon Nut M4尼龙螺母	6pcs

TU0801 **OP**

Nut 螺母 2pcs
Pin 钢针 2pcs
Hex Mount +1 六角座+1 2pcs

TU0802 **OP**

Nut 螺母 2pcs
Pin 钢针 2pcs
Hex Mount +2 六角座+2 2pcs

TU0807 **OP**

Aluminium Motor Washer 4MM 铝马达垫片4MM 1pcs

TU0829 **OP**

Front Hub Carriers 14 Degree 前轮座14度 2pcs

TU0830 **OP**

Front Hub Carriers 12 Degree 前轮座12度 2pcs

TU0831 **OP**

Steering Block 转向座 2pcs

TU0835 **OP**

Servo Saver 缓冲座 1pcs

TU0842 **OP**

Piston 1.2x6-Black 活塞1.2x6-黑色 2pcs

TU0845 **OP**

4x52 Titan Turnbuckle 4x52钛拉杆 2pcs

TU0846 **OP**

5x40 Titan Turnbuckle 5x40钛拉杆 2pcs

TU0847 **OP**

Piston 1.4x6-White 活塞1.4x6-白色 2pcs

TU0848 **OP**

5x58 Titan Turnbuckle 5x58钛拉杆 2pcs

TU0850 **OP**

Front Shock Spring-Soft 前避震弹簧-软 2pcs

TU0852 **OP**

Rear Shock Spring-Soft 后避震弹簧-软 2pcs

TU0854 **OP**

Front Shock Spring-Hard 前避震弹簧-硬 2pcs

TU0856 **OP**

Rear Shock Spring-Hard 后避震弹簧-硬 2pcs

TU0860G **OP**

M3 Aluminium Nuts-Golden M3铝螺母-金色 10pcs
M4 Aluminium Nuts-Golden M4铝螺母-金色 3pcs

TU0861B **OP**

M3 Aluminium Nuts-Blue M3铝螺母-蓝色 10pcs
M4 Aluminium Nuts-Blue M4铝螺母-蓝色 3pcs

TU0862R **OP**

M3 Aluminium Nuts-Red M3铝螺母-红色 10pcs
M4 Aluminium Nuts-Red M4铝螺母-红色 3pcs

TU0866 **OP**

Front Sway Bar 2.3 前防倾杆-2.3 1pcs

TU0867 **OP**

Front Sway Bar 2.6 前防倾杆-2.6 1pcs

TU0868 **OP**

Rear Sway Bar 2.6 后防倾杆-2.6 1pcs

TU0869 **OP**

Rear Sway Bar 3.0 后防倾杆-3.0 1pcs

TU0870 **OP**

Shock Top Ball stud-Aluminium 避震上球头-铝 4pcs

TU0871 **OP**

5.8/6.8mm Ball Stud-Aluminium 5.8/6.8球头-转向-铝 2pcs 2pcs 2pcs

TU0872 **OP**

Front Hub Carriers 12 Degree 前轮座12度 2pcs
Steering Block 转向座 1 set

TU0874 **OP**

Front Hub Carriers 14 Degree 前轮座14度 2pcs
Steering Block 转向座 1 set

TU0875 **OP**

6.8 Swaybar Ball Stud-Aluminium 6.8防倾杆球头-铝 4pcs

TU0876 **OP**

7.8mm Arm Ball Stud-Aluminium 7.8摆臂球头-铝 4pcs

TU0877 **OP**

Wing Washer-Aluminium 尾翼垫-铝 2pcs
M3x12 2pcs

TU0878 **OP**

Diff Shaft-Aluminium 差速轴-铝 6pcs

GT8LE

Driver _____

Track / City _____

Event _____ Date ____ / ____ / ____

SETUP SHEET for the TeamC GT8LE

Track Condition

- Smooth Bumpy Low traction Med traction High traction
 Sandy Soft dirt Grass Hard soil Clay Wet Dry Dusty Other

Front Suspension Shock Mounting & Camber link

Anti-roll bar: _____ mm
 Camber _____ °

Ride height _____ mm

Degree _____ °

Front Shocks

Spring _____
 Oil _____ wt
 Piston # _____

Rear Suspension Shock Mounting & Camber link

Anti-roll bar: _____ mm
 Camber _____ °

Ride height _____ mm

Wheelbase
 Long
 Medium
 Short

Rear Shocks

Spring _____
 Oil _____ wt
 Piston # _____

Tires

Brand _____
 Compound _____
 Insert _____ **Front**
 Wheel _____
 Brand _____
 Compound _____
 Insert _____ **Rear**
 Wheel _____
Note _____

Diff

Brand _____
 Oil wt _____ **Front**
 Brand _____
 Oil wt _____ **Center**
 Brand _____
 Oil wt _____ **Rear**

Motor

ESC _____
 Motor _____
 LiPo battery _____
 Spur _____
 Pinion _____
Note _____



HOBBYPRO COMPANY LTD.

Flat C-D, 5/F.,

Speedy Ind. BLDG.,

114 How Ming Street,

Kwun Tong, KLN., Hong Kong.

Team C Headquarter

www.teamcracing.net

Team C America

www.teamcamerica.com

Team C Europe

www.teamceurope.com