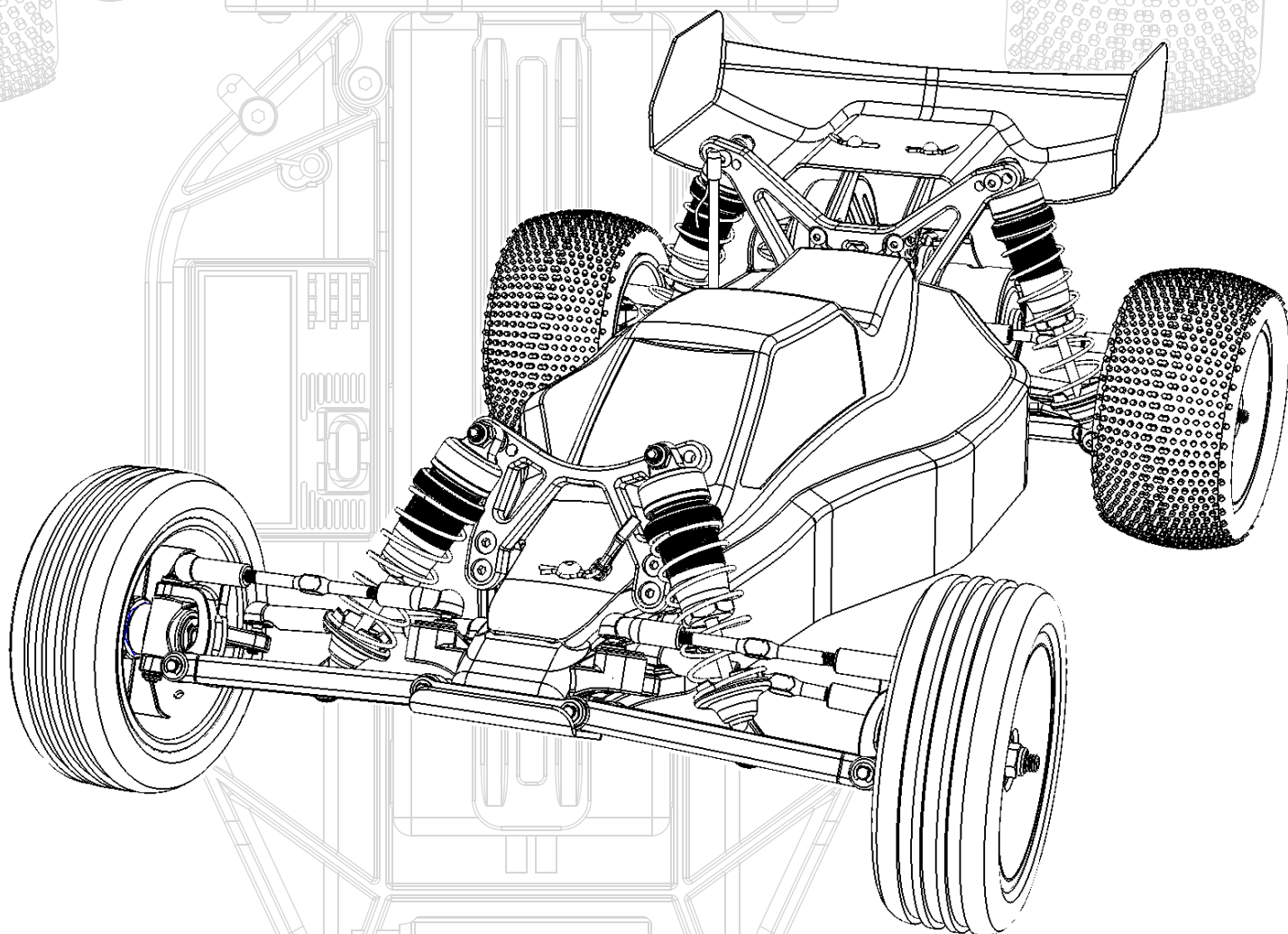


Team

T2 EVO

www.teamcracing.net



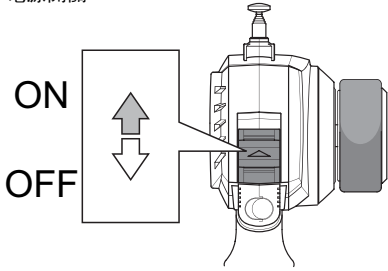
**1:10 SCALE RADIO CONTROLLED ELECTRIC
POWERED 2WD RACING BUGGY**

| | |
|----------------|-------|
| Length 長度..... | 380mm |
| Width 寬度 | 250mm |
| Height 高度..... | 150mm |

Transmitter Preparation

調整遙控器

Power Switch
電源開關



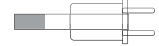
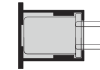
Antenna
天線

Extend the antenna to the maximum Length for best performance
天線拉的越長性能越好

27MHz Transmitter Crystal (TX)
27MHz 發射機晶片 (TX)

Transmitter crystal (TX)
發射機晶片

Receiver crystal (RX)
接收機晶片



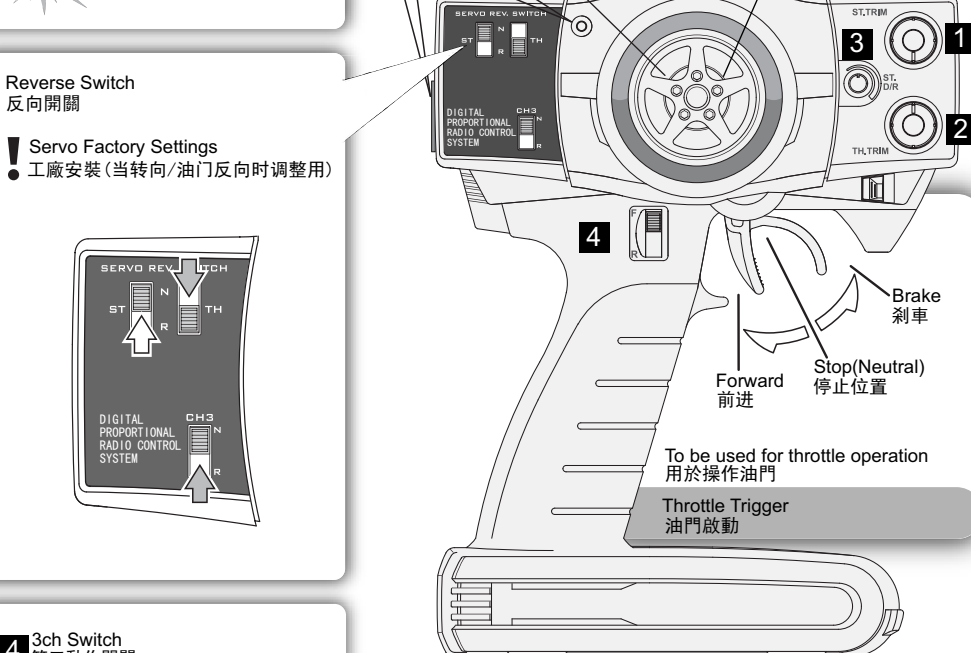
The crystal can be replaced to change frequencies.
Note: You must also change receiver crystals!
Do not use AM crystals

更換晶片可以改變頻率
注意：你也必須改變接收機晶片！

Battery Level Indicator
電池標準指示燈

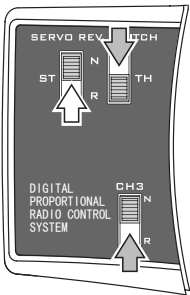
Good Batteries
標準的電池

Low Batteries (Light Blinks)
低電的電池 (電燈閃爍)

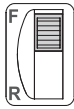


Reverse Switch
反向開關

! Servo Factory Settings
● 工廠安裝 (當轉向/油門反向時調整用)



4 3ch Switch
第三動作開關



This switch is used for optional parts.
這個開關用於選擇部分

1 Steering Trim
方向調整



To be used for trimming the steering operation
用於調整轉向中立點

2 Throttle Trim
油門前進/後退 (刹車) 調整



To be used for trimming the throttle operation
用於調整油門中立點

3 Steering Dual Rate
轉向舵角量



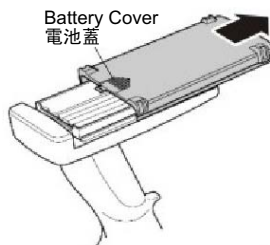
To be used to adjust steering servo throw
用來調整轉向伺服

Transmitter Battery Installation
遙控器電池安裝

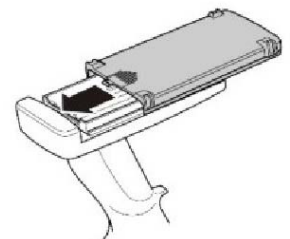
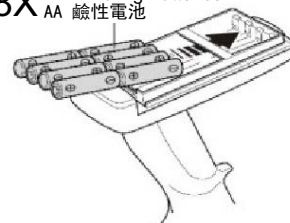
Open battery cover at the bottom of transmitter.
Install batteries. Follow the direction of batteries
designated in the inside of battery box.

在遙控器的底部打開電池蓋子，安裝電池。
跟隨電池的指示在電池盒裡面指定

Battery Cover
電池蓋



8X AA Alkaline Batteries
AA 鹼性電池

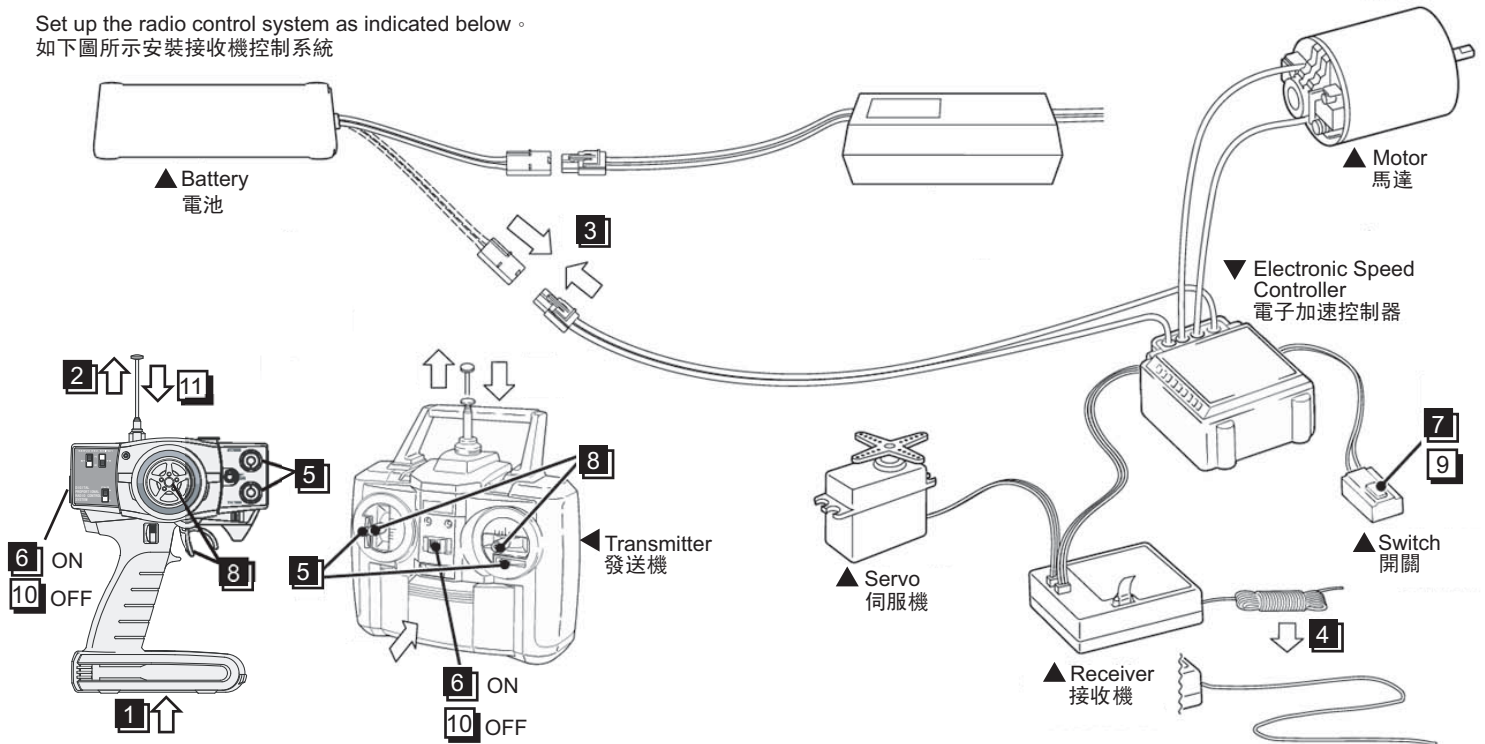


Transmitter Preparation

調整遙控器

A new Ni-MH battery must be charged before it is used. Refer to the charger instruction manual for charging.
 在使用之前，一個新電池必須先充電。詳情請參考充電器說明書。

Set up the radio control system as indicated below.
 如下圖所示安裝接收機控制系統



● Start

- 1 Install batteries.(Transmitter)
- 2 Extend the antenna.(Transmitter)
- 3 Connect the battery
- 4 Extend the antenna.(Receiver)
- 5 Center the trims.
- 6 Switch on.(Transmitter)
- 7 Switch on.(Receiver)
- 8 Make sure the servos are in command.

● Finish

- 9 Switch off.(Receiver)
- 10 Switch off.(Transmitter)
- 11 Retract the antenna(Transmitter)

● 開始

- 1 安裝電池(發送機)
- 2 拉出天線(發送機)
- 3 連接電池
- 4 拉出天線(接收機)
- 5 中心對整齊
- 6 開關(發送機)
- 7 開關(接收機)
- 8 確定控制伺服機

● 結束

- 9 關閉開關(接收機)
- 10 關閉開關(發送機)
- 11 收回天線(發送機)

Tools required

組裝需要的工具

- Needle Nose Pliers 尖嘴鉗



- Awl 錐



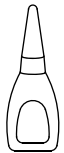
- Grease 潤滑油



- Screw Cement 螺絲膠水



- H162 Instant Glue 瞬間膠水



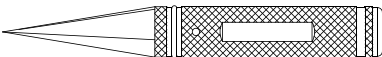
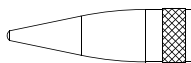
- Differential Grease 差速油



- Molybdenum Grease(Black) 鉬油(黑)



- H154 Body Reamer 車殼鉸刀



No need to pre-drill precise holes (1mm to 15mm) can be drilled
 可以對預鑽的孔準確鑽1mm-15mm

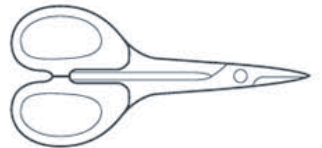
- Wire Cutters 鋼絲鉗



- Sharp Hobby knife 美工刀



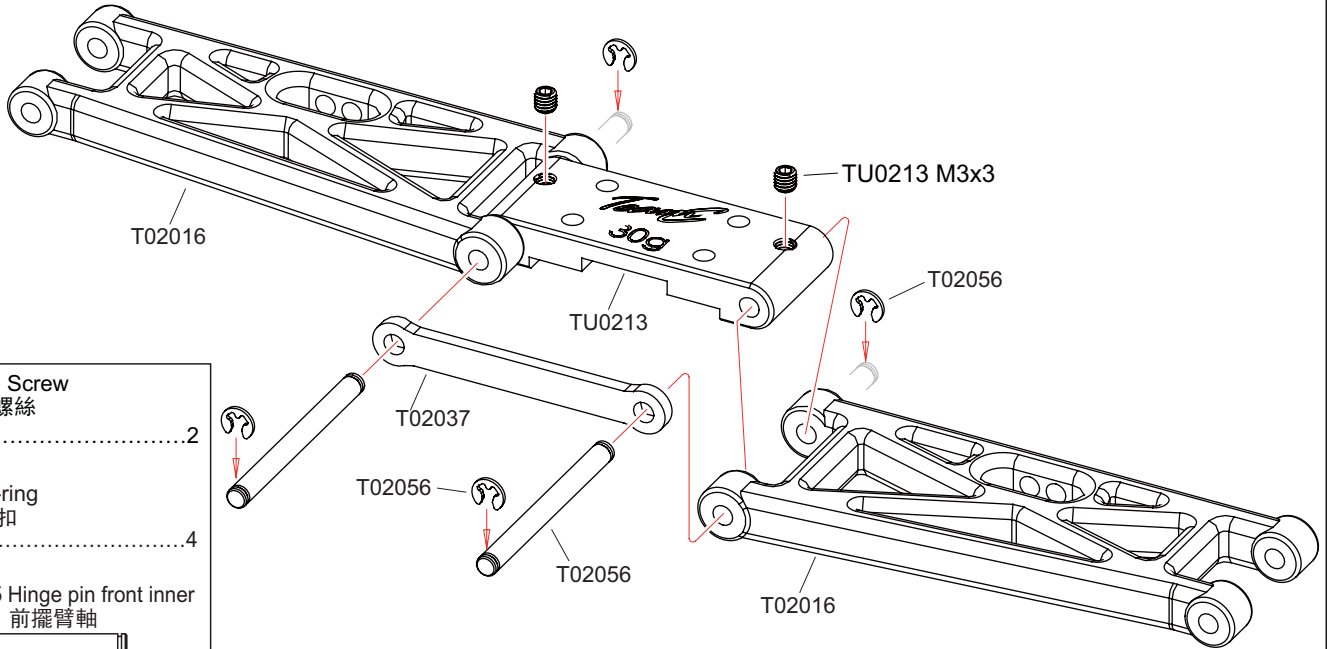
- H096 ROUND CUTTER 剪刀



For trimming bodies!
 用於修剪車殼!

1 Front Suspension 前橋

Bag-A

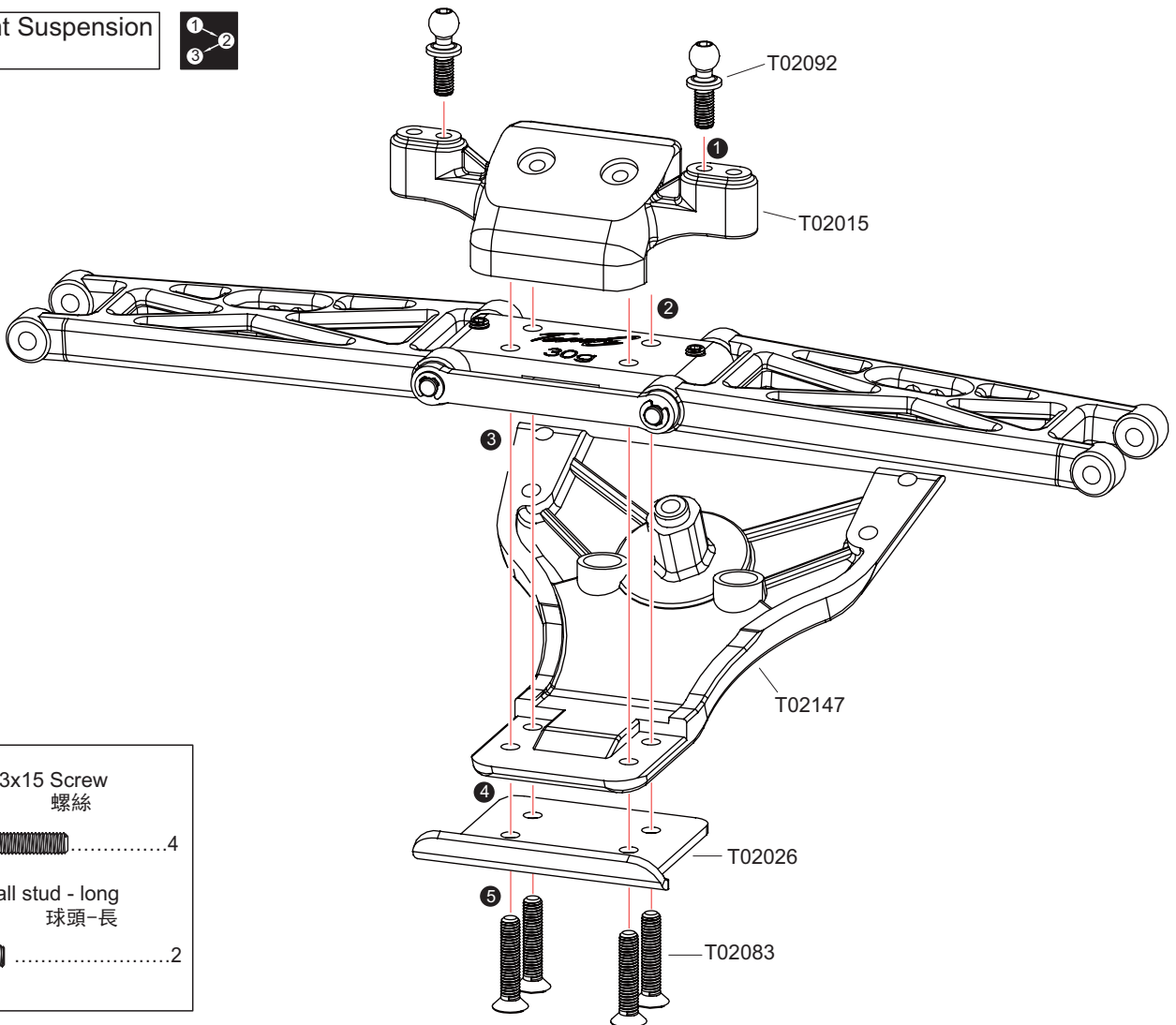


| | | |
|---|--|--------|
| TU0213 M3x3 Screw M3x3螺絲 | |2 |
| T02056 2.3 E-ring E 扣 | |4 |
| T02056 3x34.5 Hinge pin front inner 前擺臂軸 | |2 |

2 Front Suspension 前橋



Bag-A

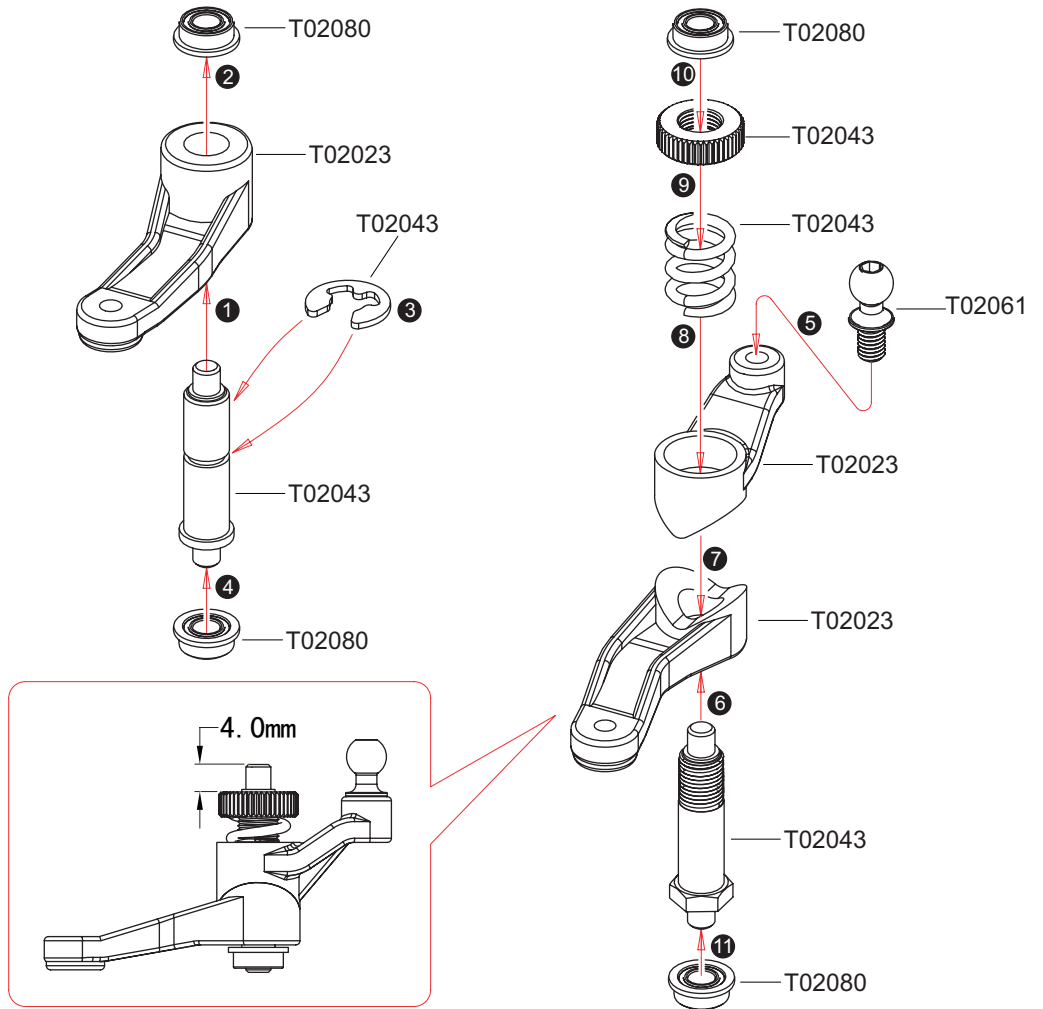



| | | |
|---------------------------------|--|--------|
| T02083 M3x15 Screw 螺絲 | |4 |
| T02092 Ball stud - long 球頭-長 | |2 |

Assemble in the specified order
按順序組裝

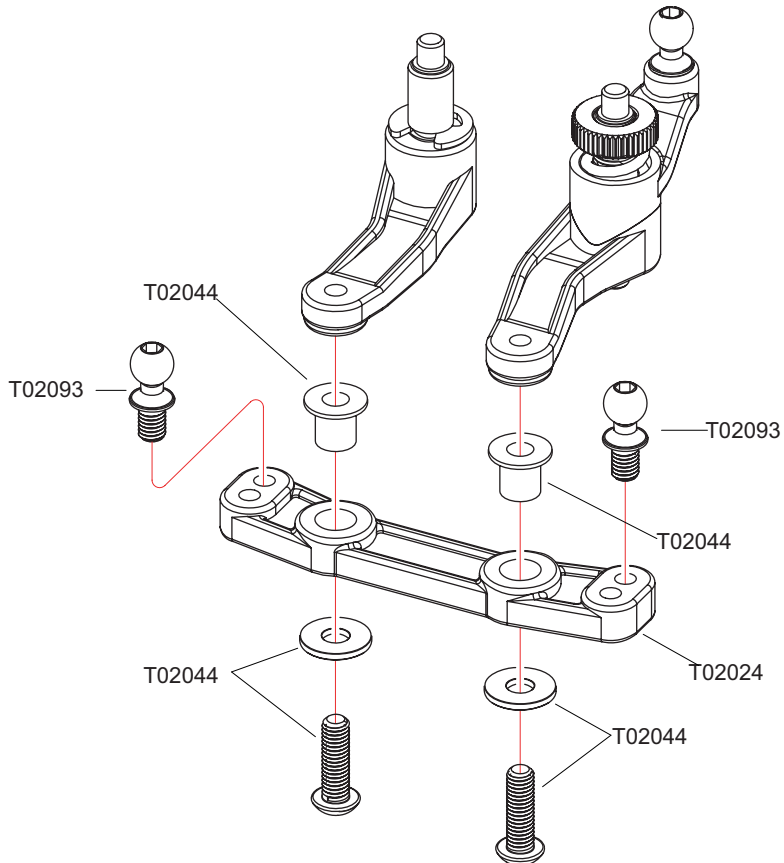
Assemble left and right sides the same way
左右裝法相同





3 Buffer 緩沖 **Bag-B**



- T02043 4.0 E-ring
E 扣
1
- T02080 3x6x2.5 Ball Bearing
軸承
4
- T02061 Ball stud - silvery
球頭-銀色
1

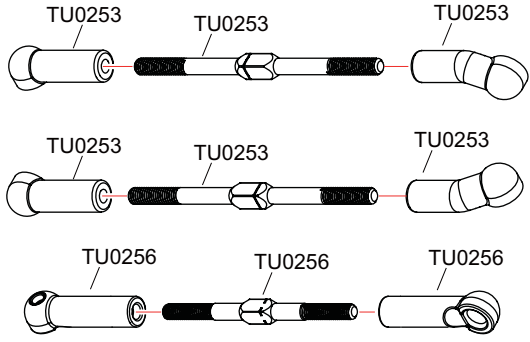
4 Buffer 緩沖 **Bag-B**



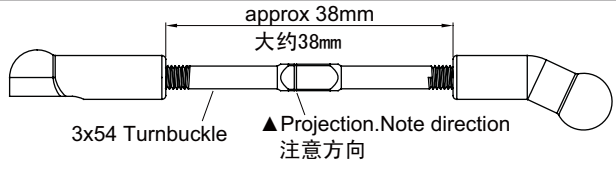
- T02044 4.5x5.4 Block Carrier
軸套
2
- T02044 M3x10 Screw
螺絲
2
- T02093 Ball stud - short
球頭-短
2
- T02044 3x7x0.8 Washer
墊片
2

7 Front Suspension 前橋

Bag-A

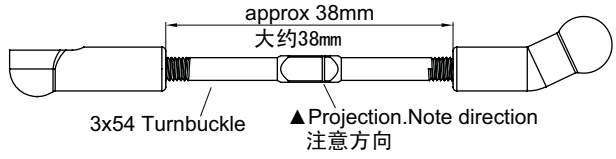


x1
1:1



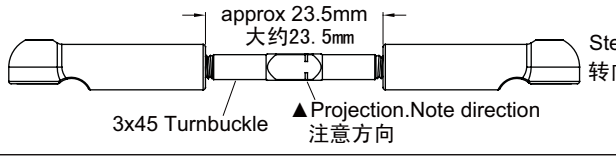
Front Upper (Left) 前上拉杆 (左)

x1
1:1



Front Upper (Right) 前上拉杆 (右)

x2
1:1

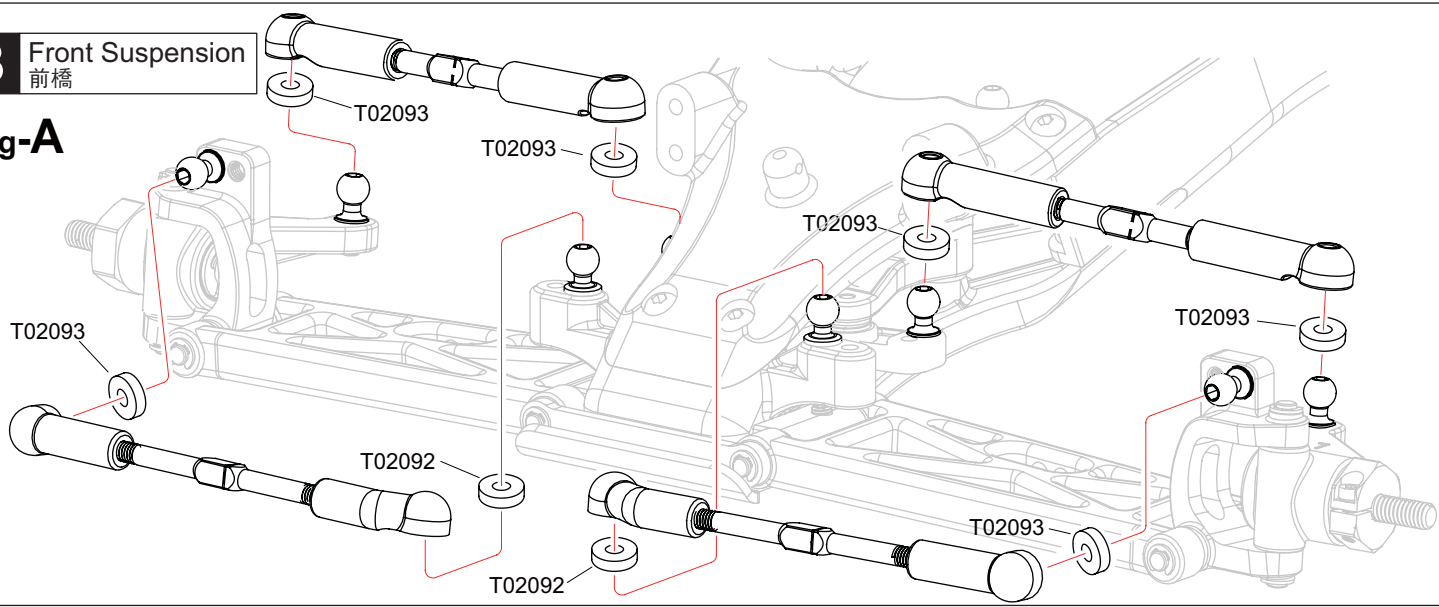


Steering Tip 转向拉杆

| | | | |
|--|--|--|--|
| TU0253 4.8mm Ball End-Long 4.8球頭座-長2 | TU0253 3x54 Turnbuckle 3x54拉桿2 | TU0256 4.8mm Ball End-Long 4.8mm球頭座-長4 | TU0253 3x45 Turnbuckle 3x45拉桿2 |
|--|--|--|--|

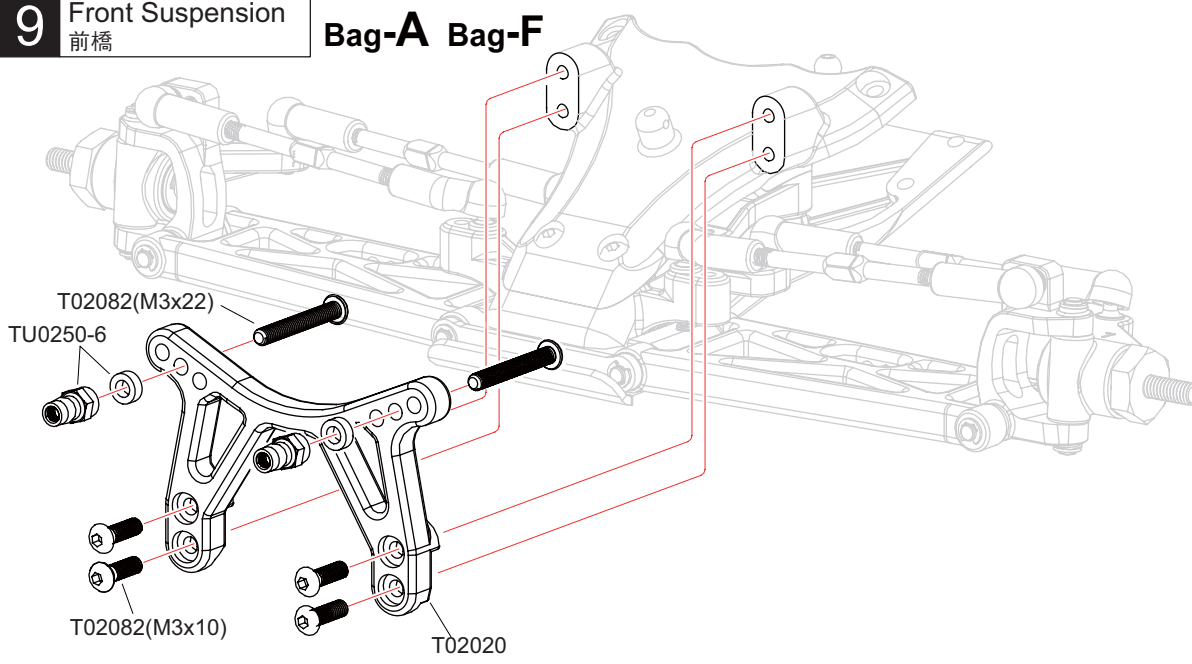
8 Front Suspension 前橋

Bag-A



9 Front Suspension 前橋

Bag-A Bag-F



| |
|--|
| TU0250-6 3.1x5.5x2 Aluminium Washer 3.1x5.5x2铝垫片2 |
| TU0250-6 Shock Cap Ball 避震盖球头2 |
| T02082 M3x10 Screw M3x10螺丝4 |
| T02082 M3x22 Screw M3x22螺丝2 |

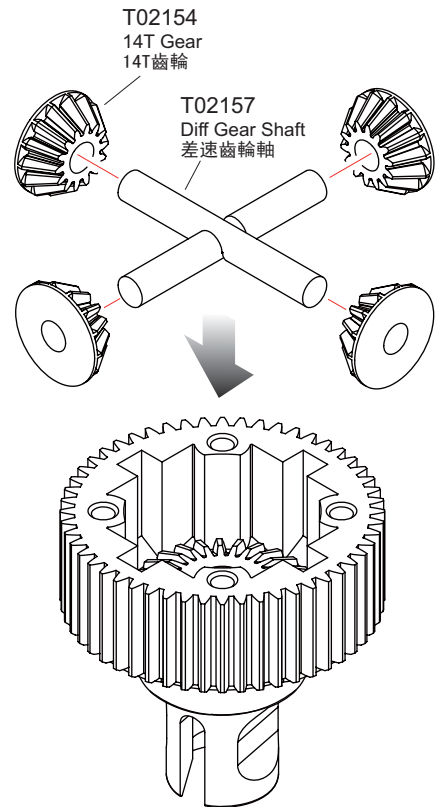
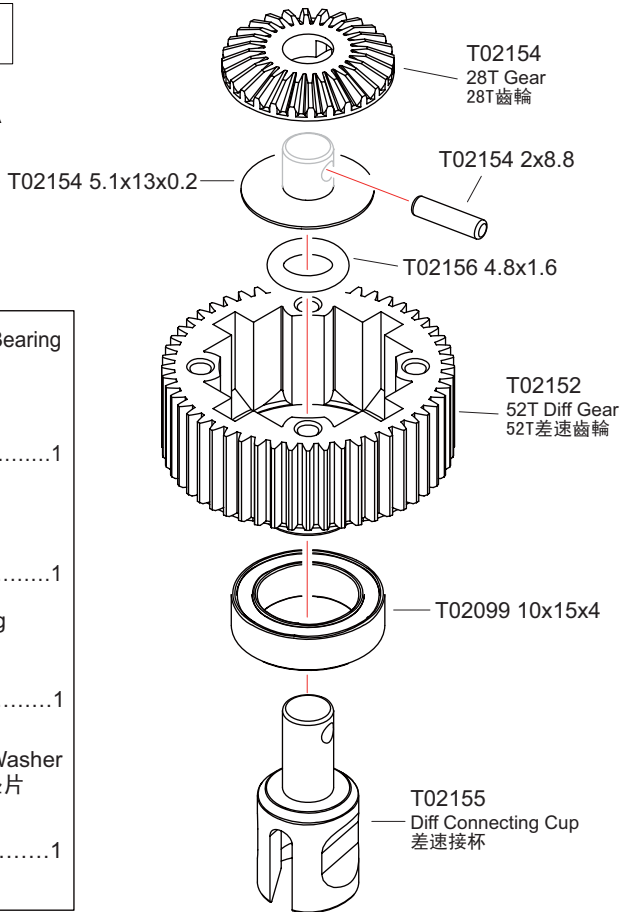
x1 Assemble as many times as specified 需組裝次數

1:1 True-to-scale diagram 圖形比例

10 Differential
差速器

Bag-C Bag-A

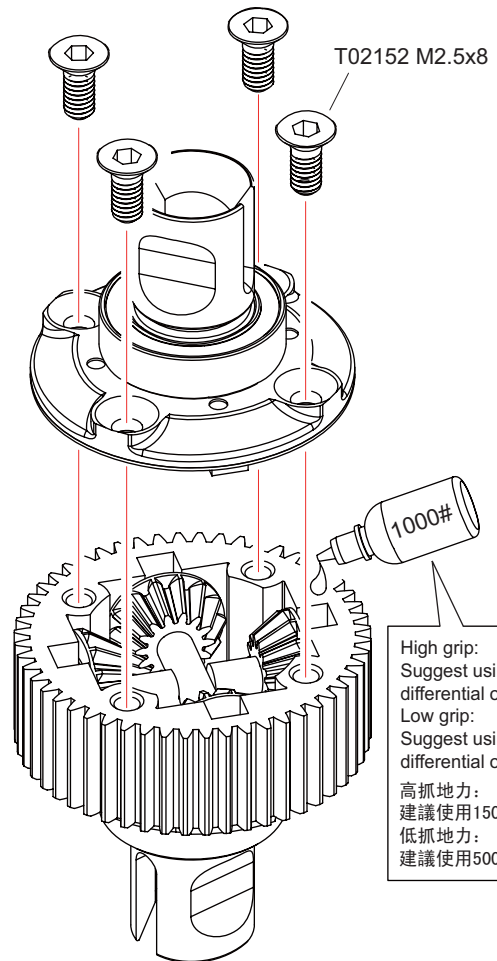
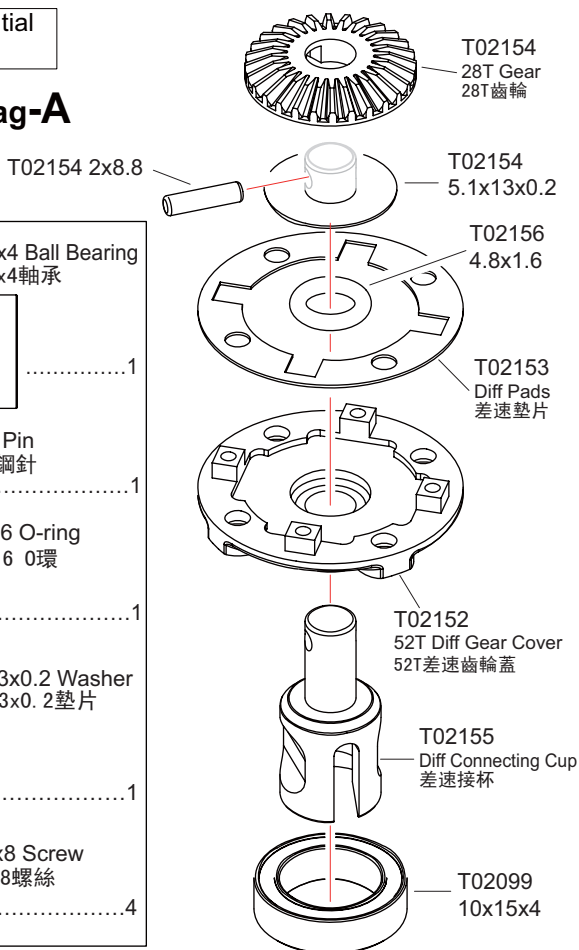
- T02099 10x15x4 Ball Bearing
10x15x4軸承1
- T02154 2x8.8 Pin
2x8.8鋼針1
- T02156 4.8x1.6 O-ring
4.8x1.6 O環1
- T02154 5.1x13x0.2 Washer
5.1x13x0.2墊片1



11 Differential
差速器

Bag-C Bag-A

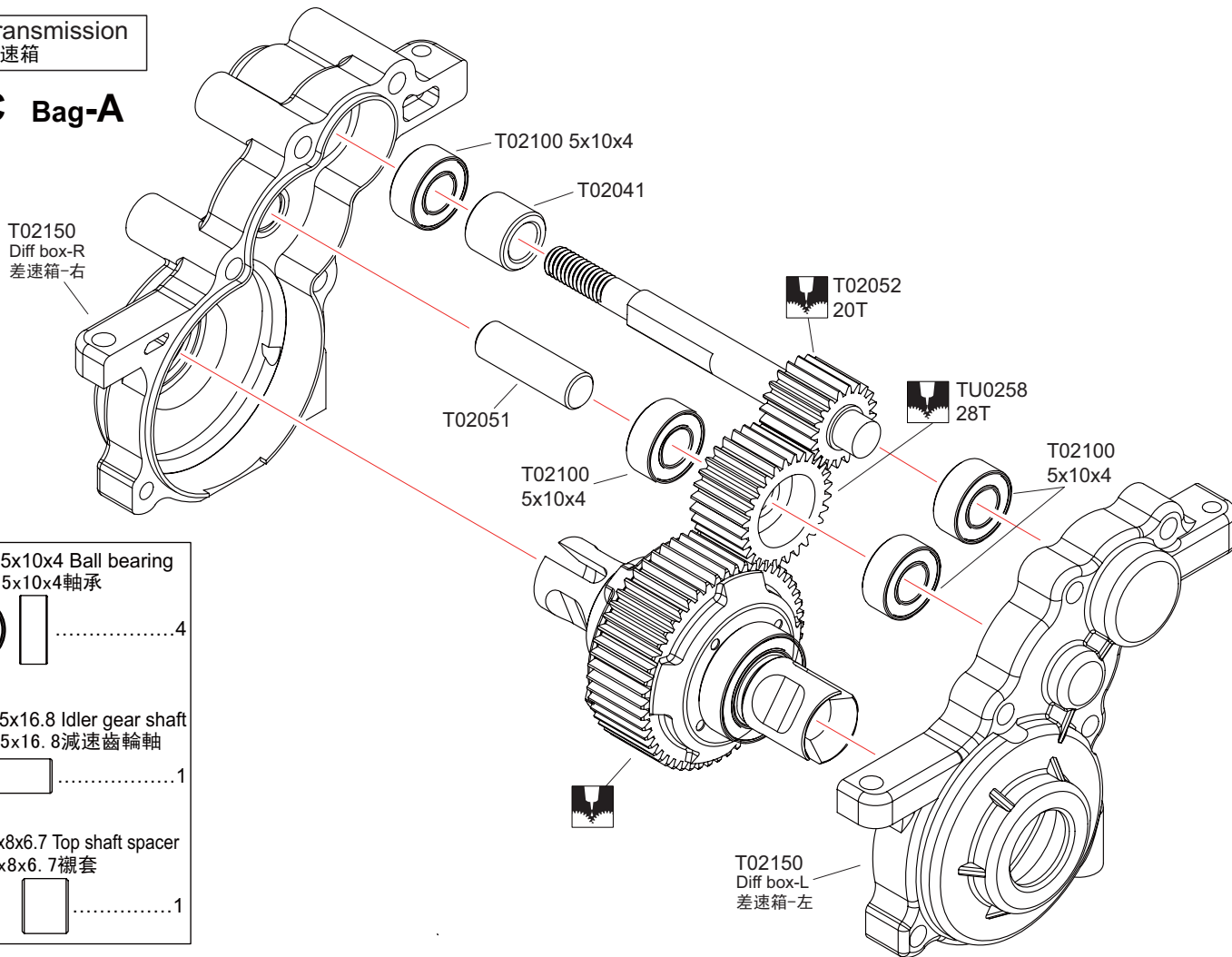
- T02099 10x15x4 Ball Bearing
10x15x4軸承1
- T02154 2x8.8 Pin
2x8.8鋼針1
- T02156 4.8x1.6 O-ring
4.8x1.6 O環1
- T02154 5.1x13x0.2 Washer
5.1x13x0.2墊片1
- T02152 M2.5x8 Screw
M2.5x8螺絲4



High grip:
Suggest using 1500#-2000#
differential oil;
Low grip:
Suggest using 500#-700#
differential oil.
高抓地力:
建議使用1500#-2000#差速油;
低抓地力:
建議使用500#-700#差速油。

12 Transmission 差速箱

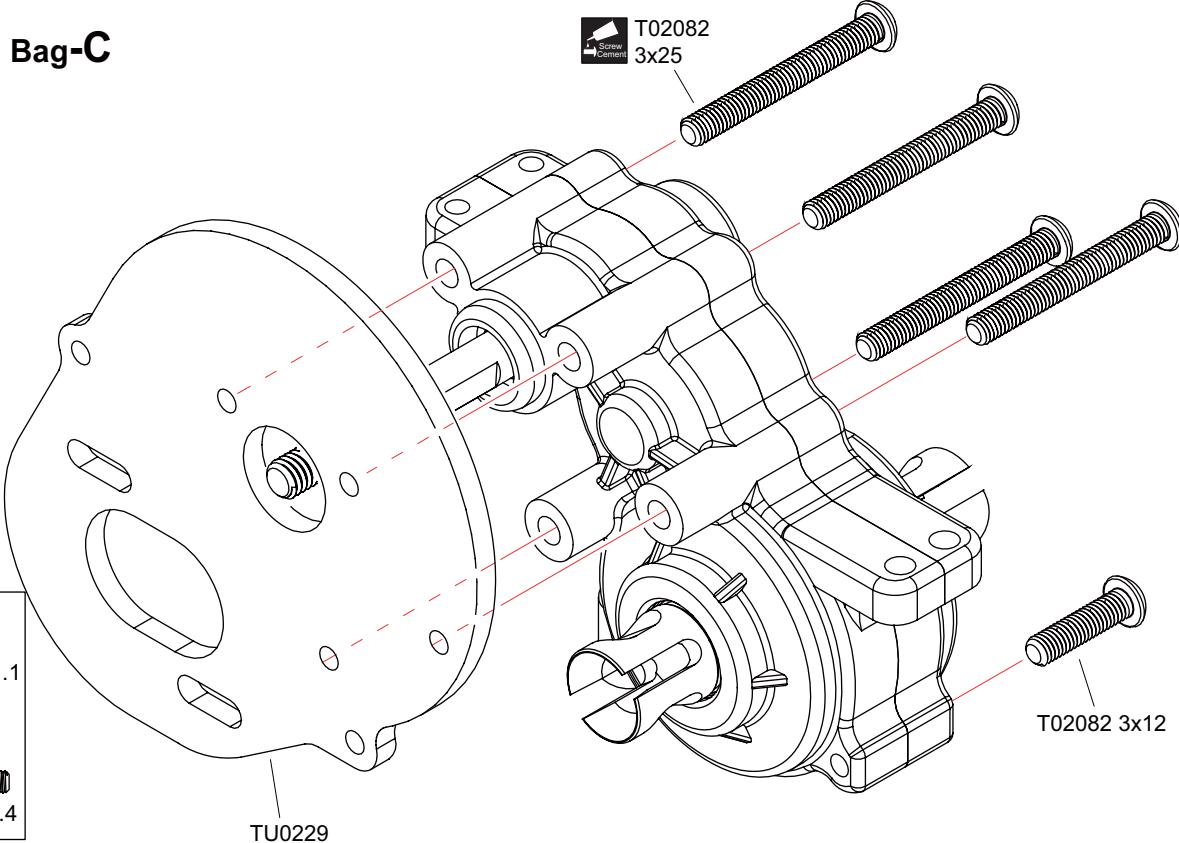
Bag-C Bag-A



- T02100 5x10x4 Ball bearing
5x10x4軸承
4
- T02051 5x16.8 Idler gear shaft
5x16.8減速齒輪軸
1
- T02041 5x8x6.7 Top shaft spacer
5x8x6.7襯套
1

13 Motor mounts 電機固定座

Bag-C




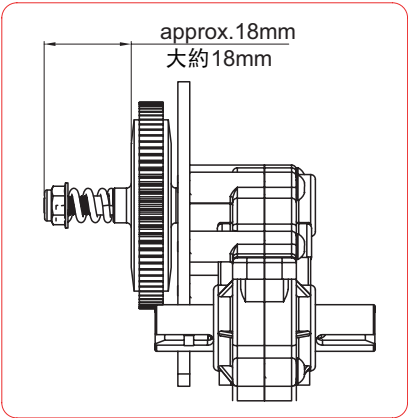
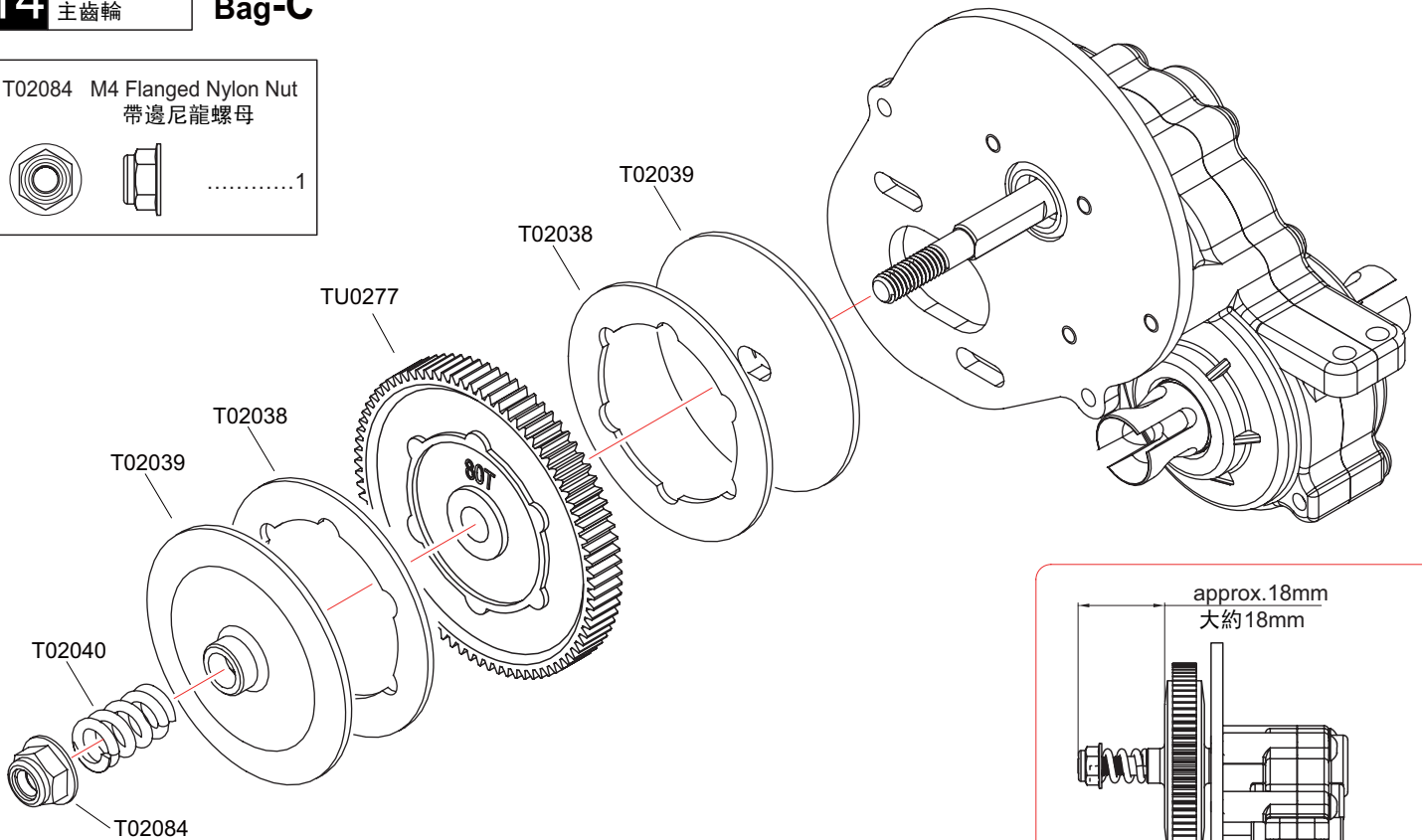
- T02082 M3x12 Screw
M3x12螺絲
1
- T02082 M3x25 Screw
M3x25螺絲
4

Apply grease
塗油脂

Apply threadlocker(screw cement)
打螺絲膠水

14 Main Gear 主齒輪 Bag-C

T02084 M4 Flanged Nylon Nut 帶邊尼龍螺母1

15 Rear Damper Tower 後避震板 Bag-D Bag-F

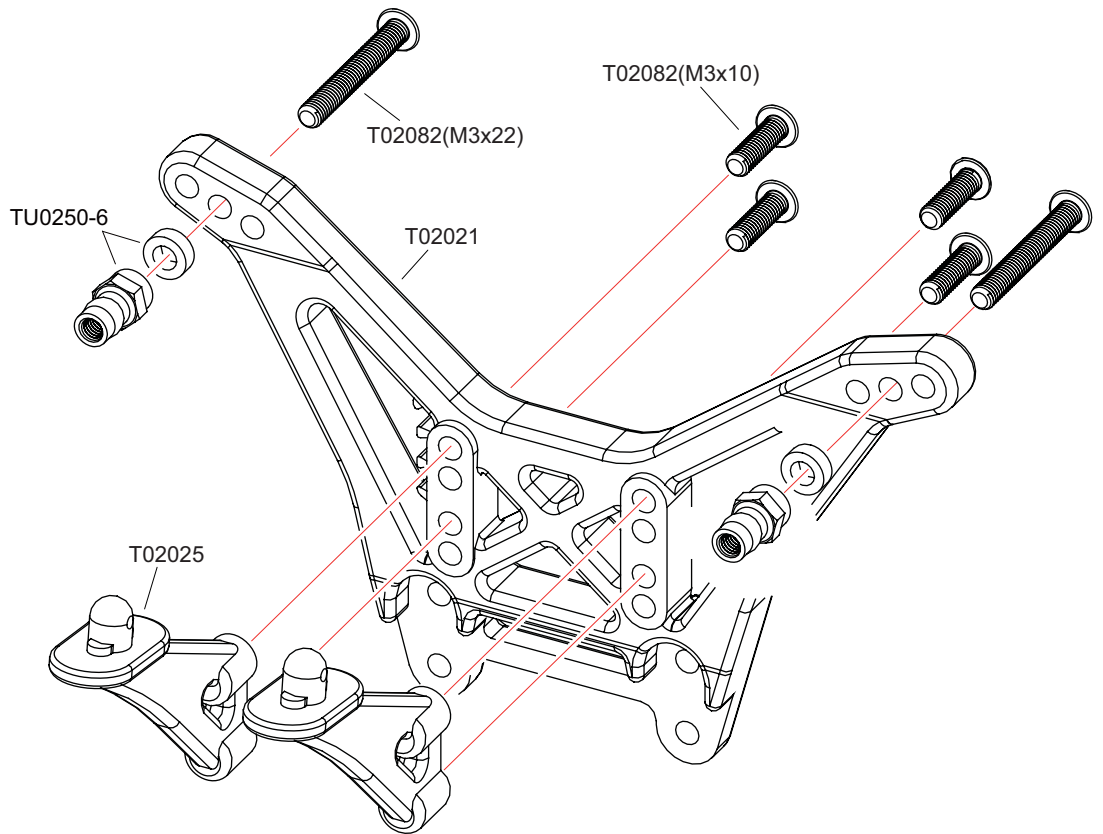
Bag-D Bag-F

TU0250-6 Shock Cap Ball 避震蓋球頭2

TU0250-6 3.1x5.5x2 Aluminium Washer 3.1x5.5x2鋁墊片2

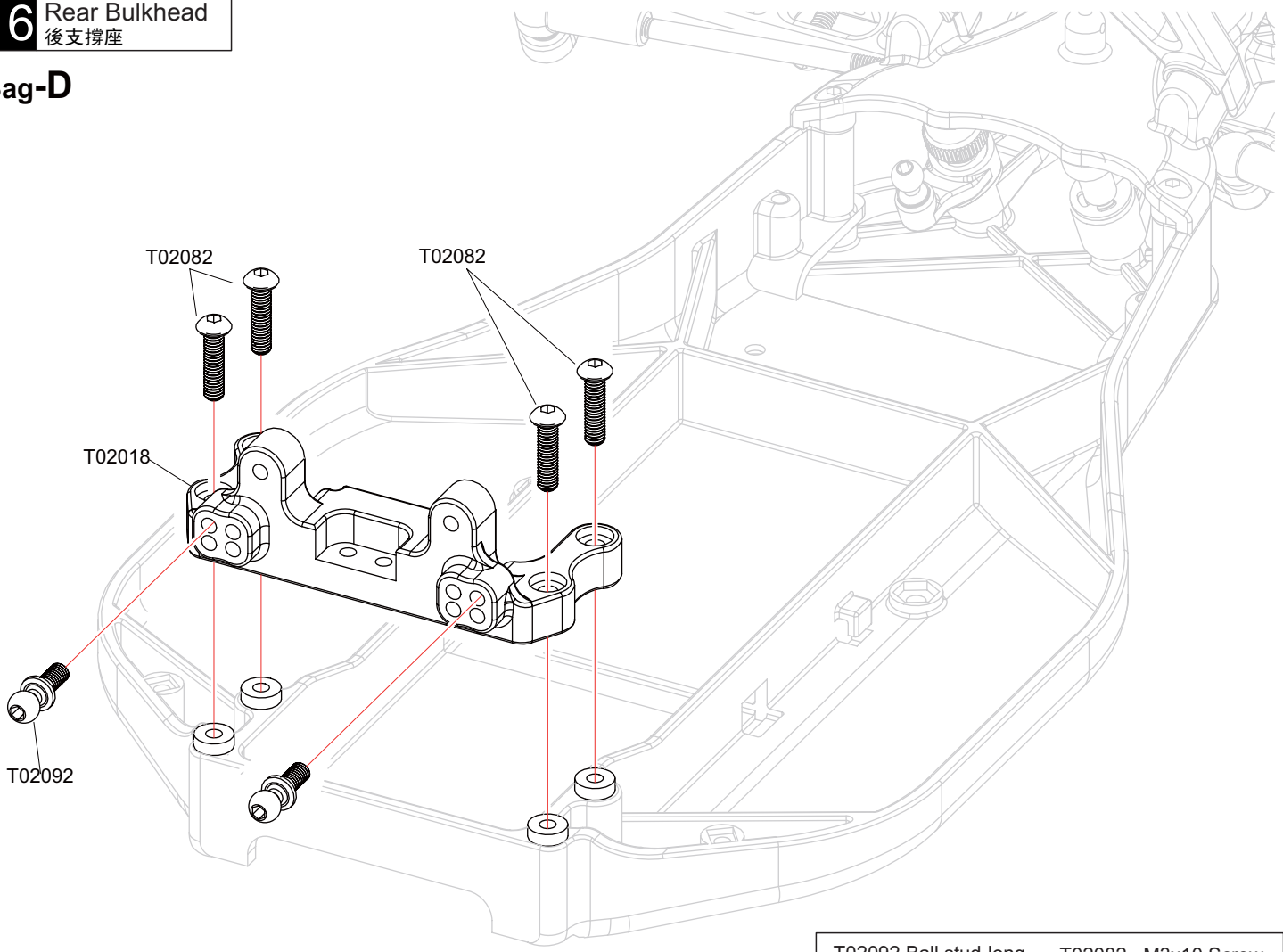
T02082 M3x10 Screw 螺絲4



T02082 M3x22 Screw 螺絲2



16 Rear Bulkhead
後支撐座

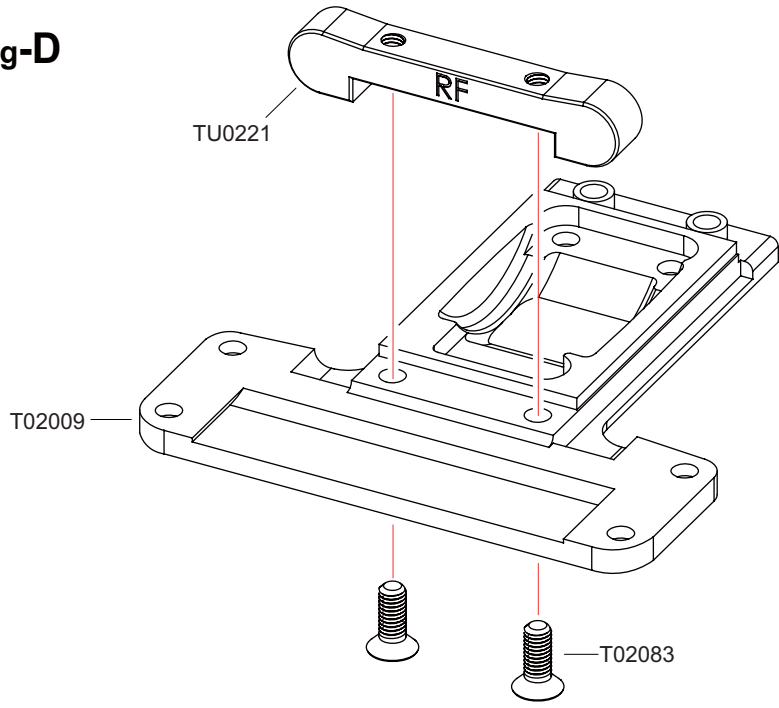
Bag-D




| | |
|---|---|
| T02092 Ball stud-long 球頭-長 | T02082 M3x10 Screw 螺絲 |
|  |  |
| 2 | 4 |

17 Rear Chassis
後底盤

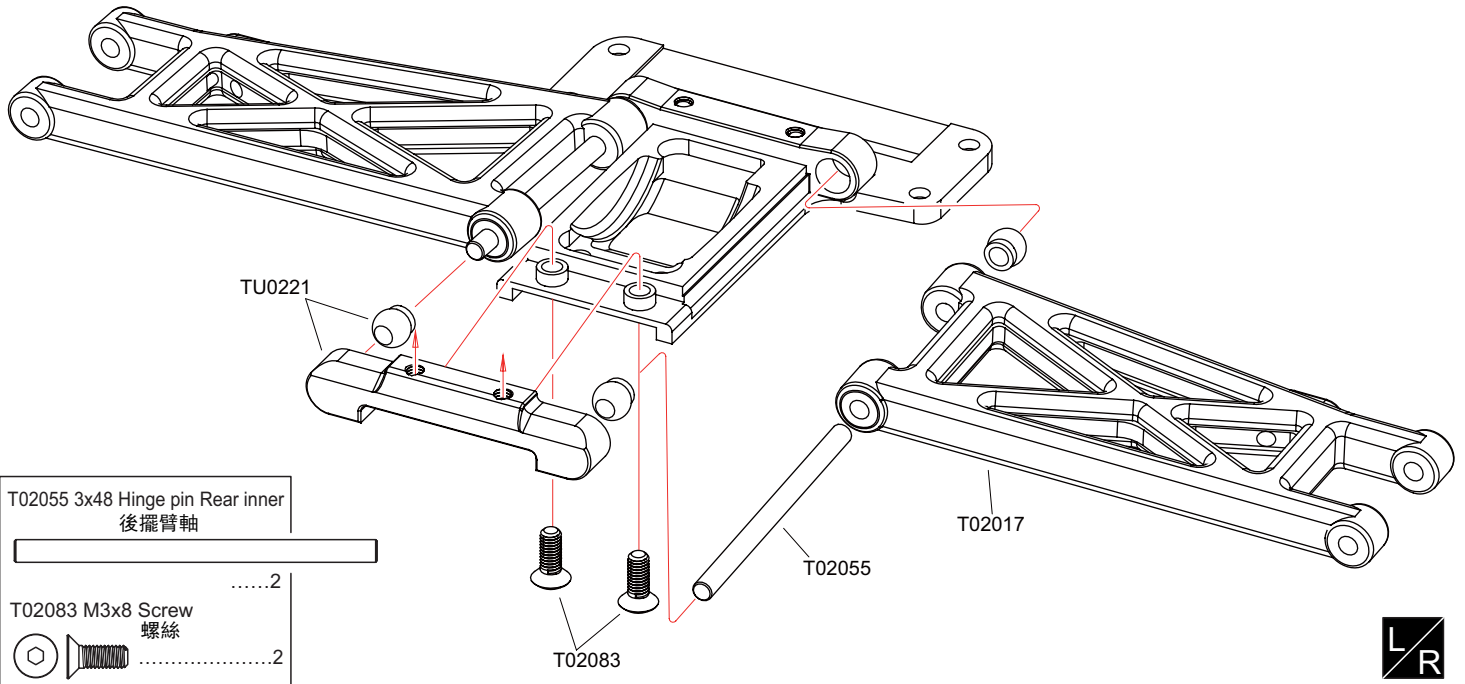
Bag-D



| |
|--|
| T02083 M3x8 Screw 螺絲 |
|  |
| 2 |

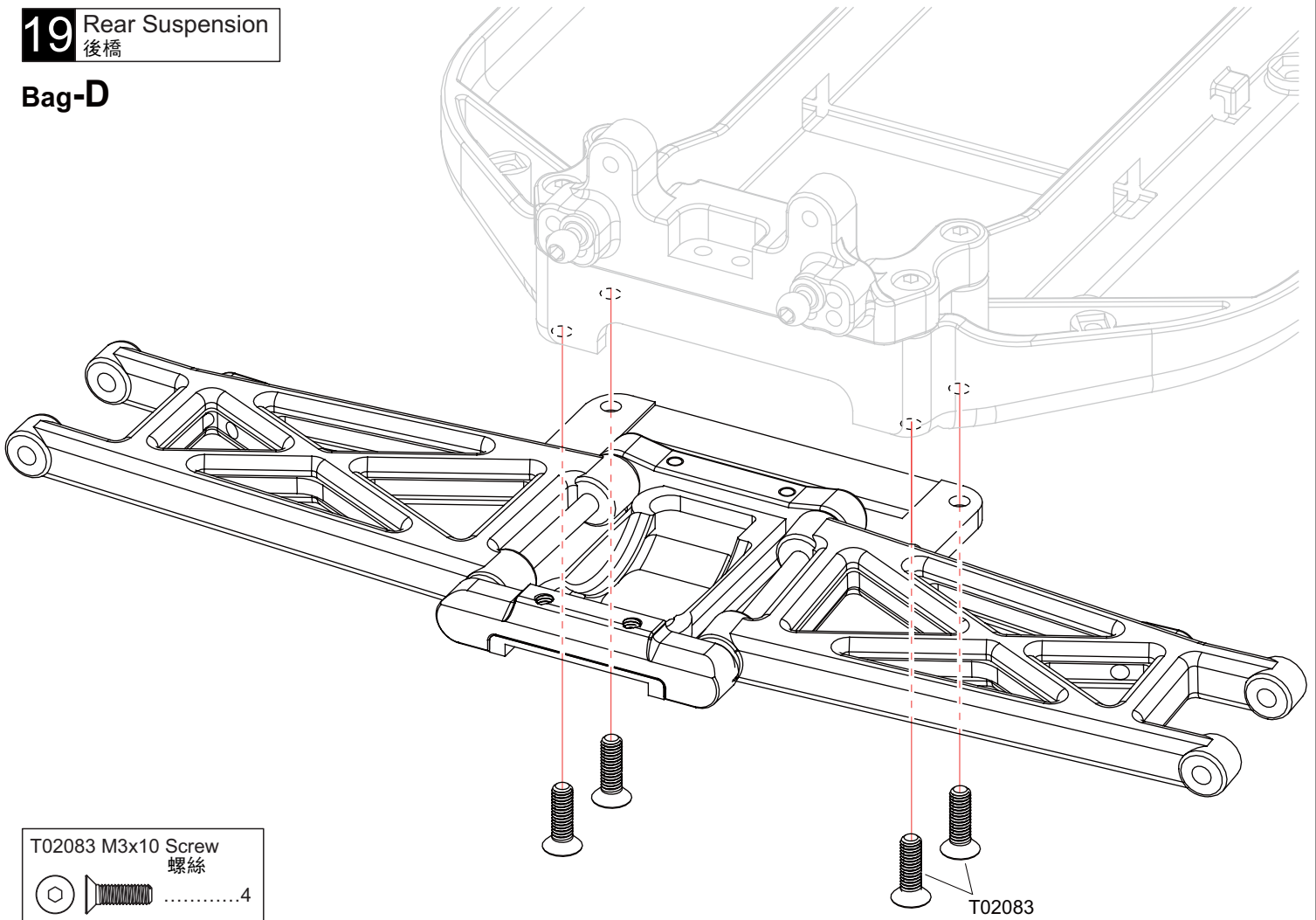
18 Rear Suspension
後橋

Bag-D



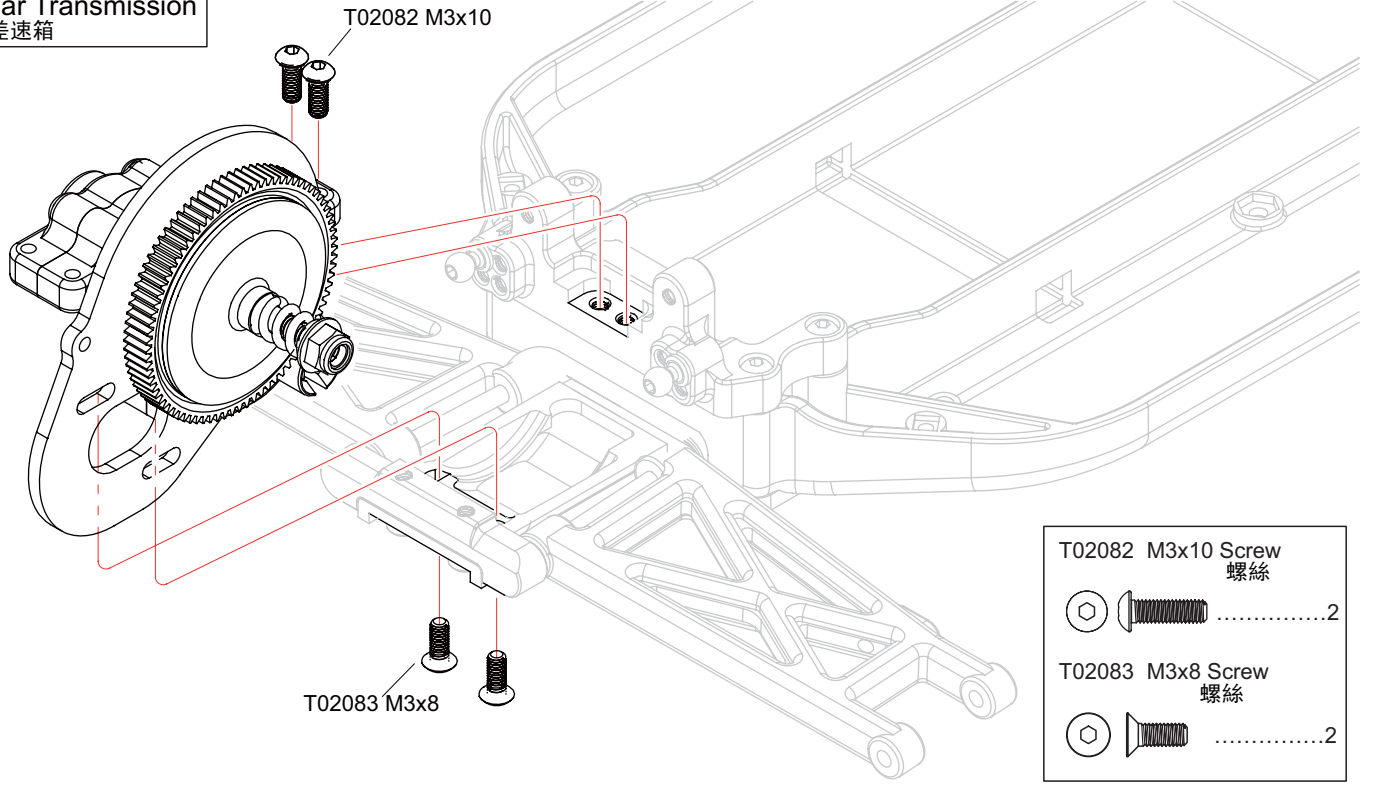
19 Rear Suspension
後橋

Bag-D



20 Rear Transmission
後差速箱

Bag-D



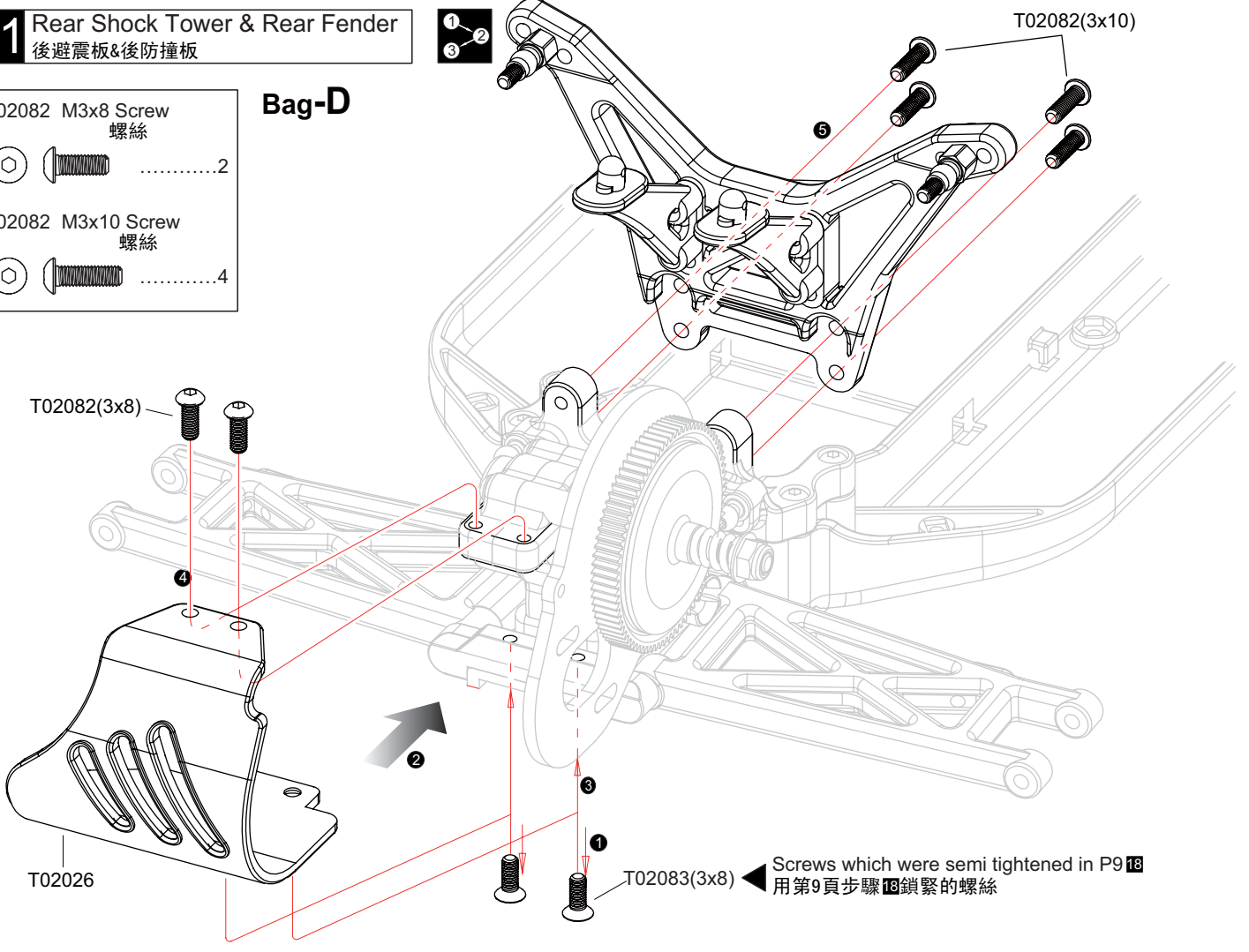
- T02082 M3x10 Screw
螺絲2
- T02083 M3x8 Screw
螺絲2

21 Rear Shock Tower & Rear Fender
後避震板&後防撞板



Bag-D

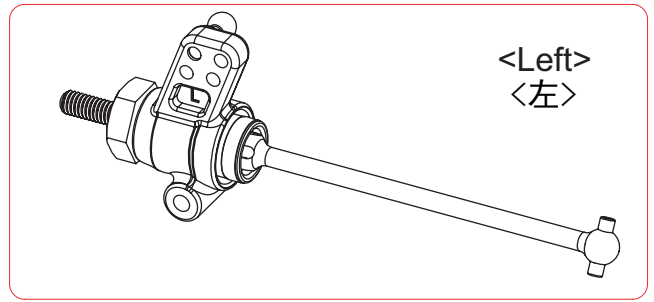
- T02082 M3x8 Screw
螺絲2
- T02082 M3x10 Screw
螺絲4



Assemble in the specified order
按順序組裝

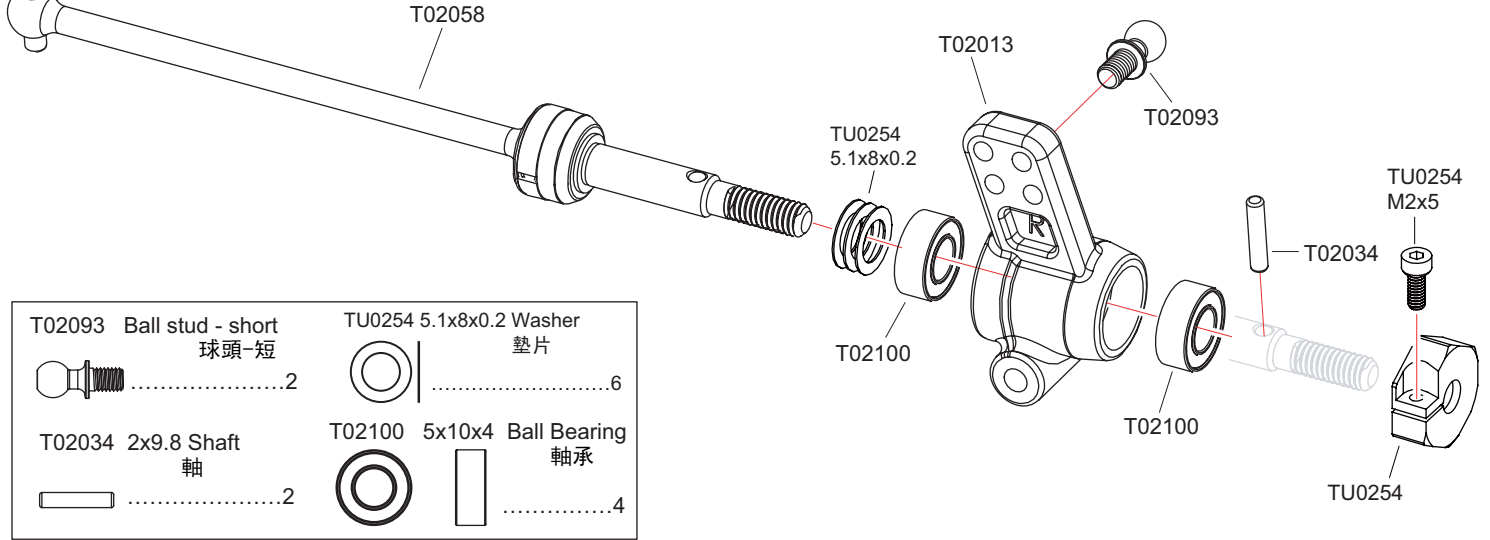
22 Rear Suspension
後橋

L/R Bag-D Bag-A



<Left>
<左>

<Right>
<右>

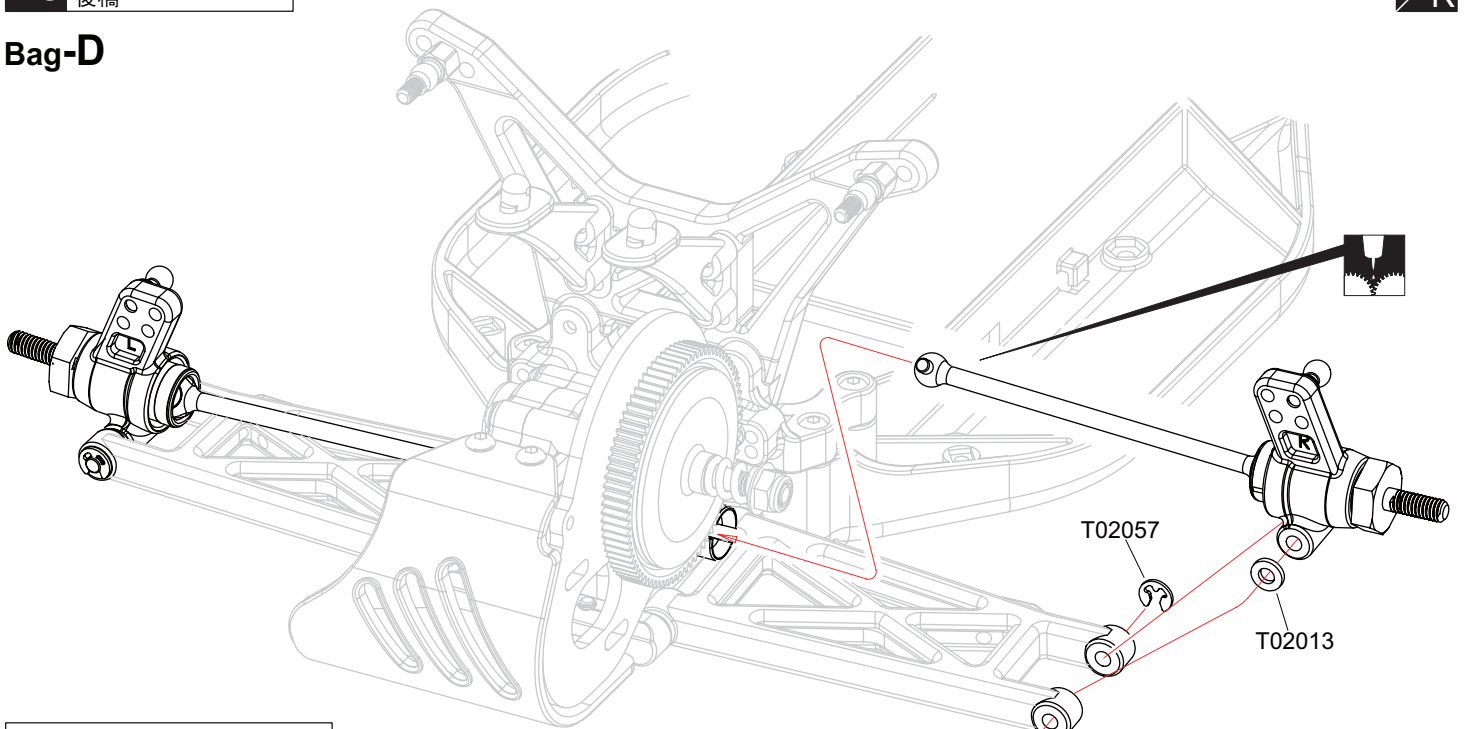


| | |
|--|--|
| T02093 Ball stud - short 球頭-短2 | TU0254 5.1x8x0.2 Washer 墊片6 |
| T02034 2x9.8 Shaft 軸2 | T02100 5x10x4 Ball Bearing 軸承4 |

23 Rear Suspension
後橋

L/R

Bag-D



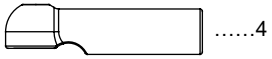
| | | |
|-----------------------------------|---|--|
| T02057 2.3 E-ring E扣4 | T02013 3.1x6x1 Plastic Washer 塑膠墊片2 | T02057 3x30.5 Hinge pin Rear outer 後擺臂軸2 |
|-----------------------------------|---|--|

L/R Assemble left and right sides the same way
左右裝法相同

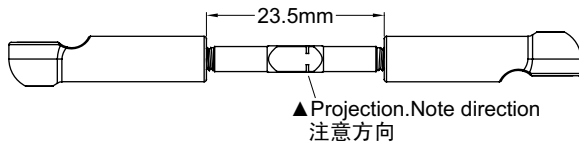
Apply grease
塗油脂

24 Rear Suspension
後橋 **Bag-D**

TU0256 4.8mm Ball End-Long
4.8mm球頭座-長

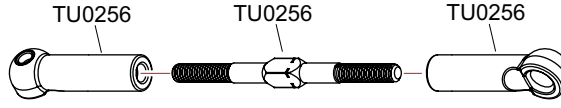


TU0256 3x45 Turnbuckle
3x45 拉桿



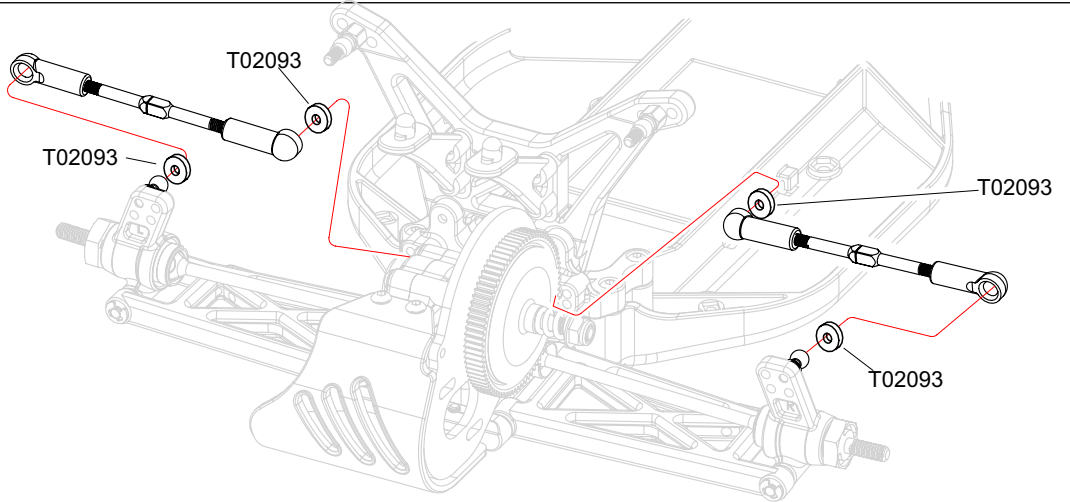
Rear upper Rod
後上拉桿

x2 **1:1**



25 Rear Suspension
後橋

Bag-A

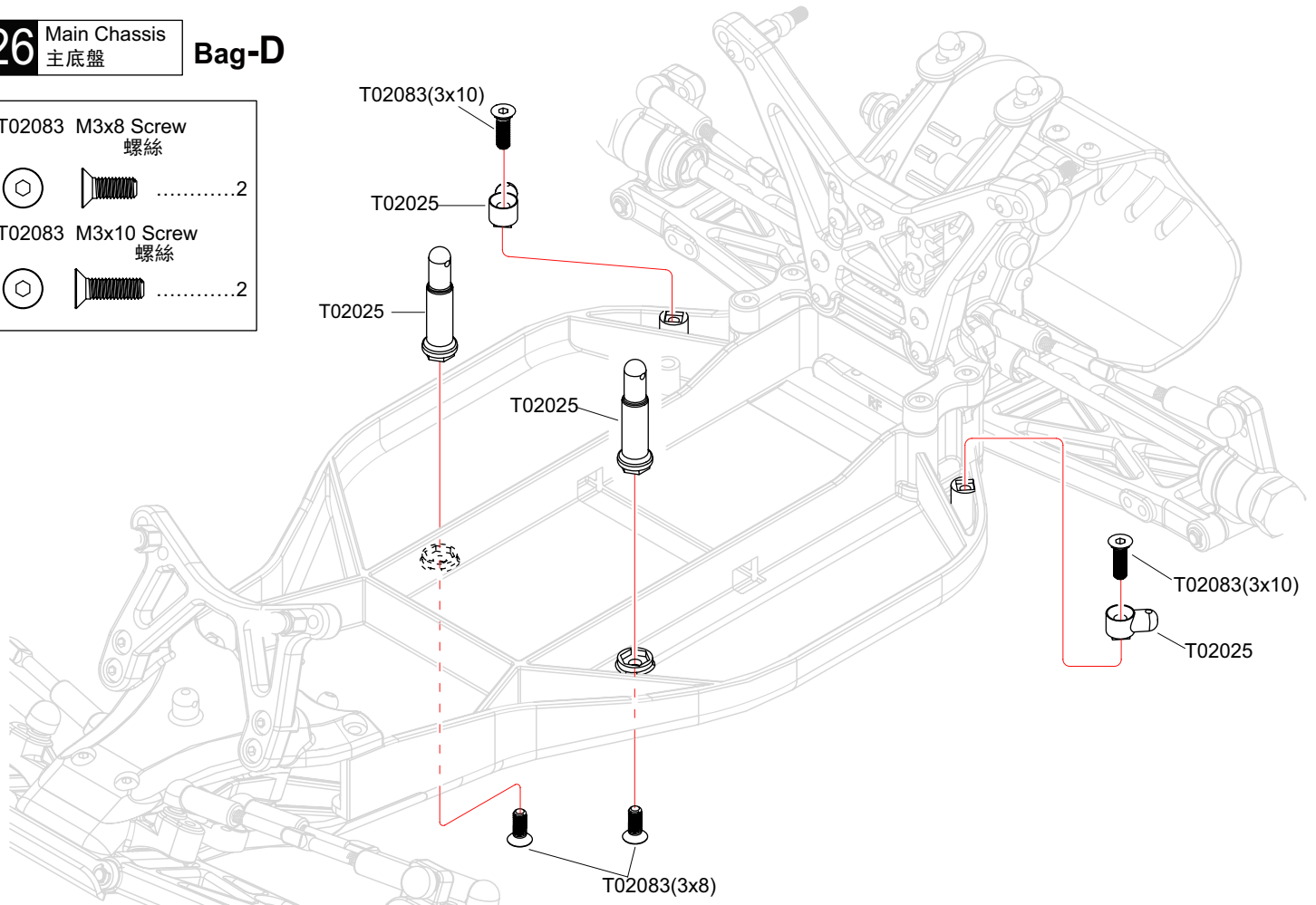


26 Main Chassis
主底盤 **Bag-D**

T02083 M3x8 Screw
螺絲



T02083 M3x10 Screw
螺絲

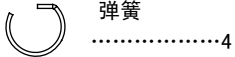


27 Shock Absorber
避震器

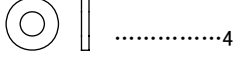
Bag-F

F/R x2

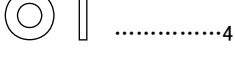
TU0250-8 Spring



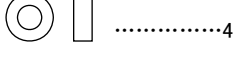
TU0250-8 1mm Washer-Black
1mm压垫-黑色



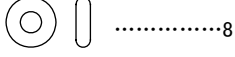
TU0250-8 1mm Washer-White
1mm压垫-白色



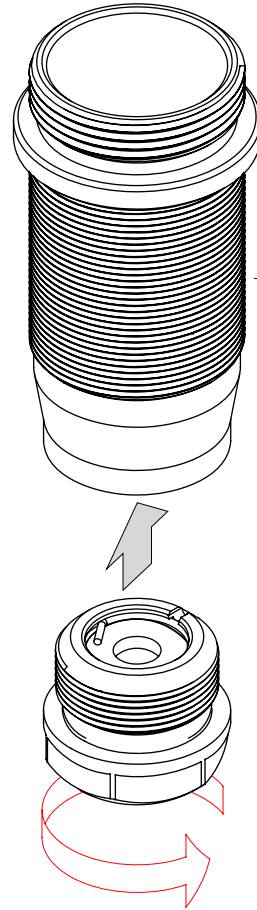
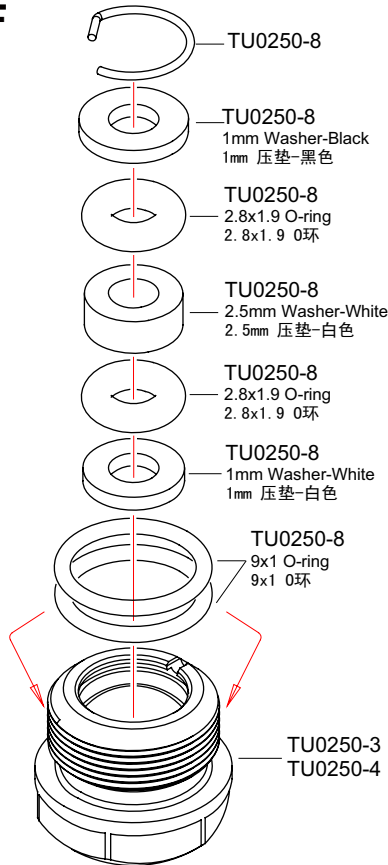
TU0250-8 2.5mm Washer-White
2.5mm压垫-白色



TU0250-8 2.8x1.9 O-ring
2.8x1.9 O环



TU0250-8 9x1 O-ring
9x1 O环

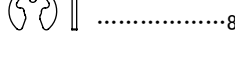


28 Shock Absorber
避震器

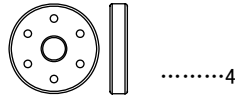
Bag-F

F/R x2

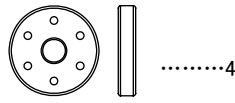
TU0250-1/TU0250-2 2.3 E-ring
2.3 E扣



TU0250-7 Front Piston-Black
前活塞-黑色



TU0250-7 Rear Piston-White
后活塞-白色



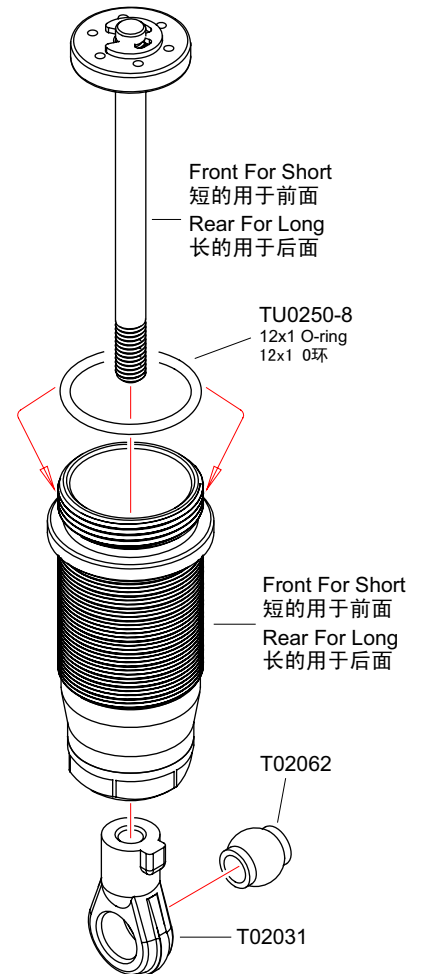
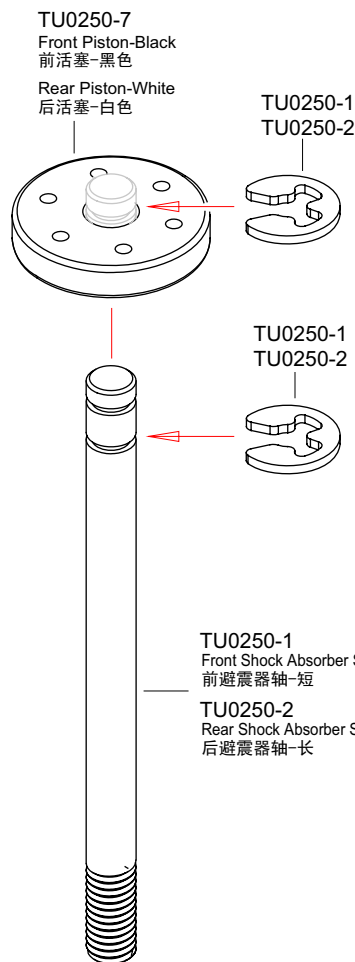
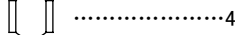
TU0250-7 12x1 O-ring
12x1 O环



T02031 5.8 Ball End
5.8球头座



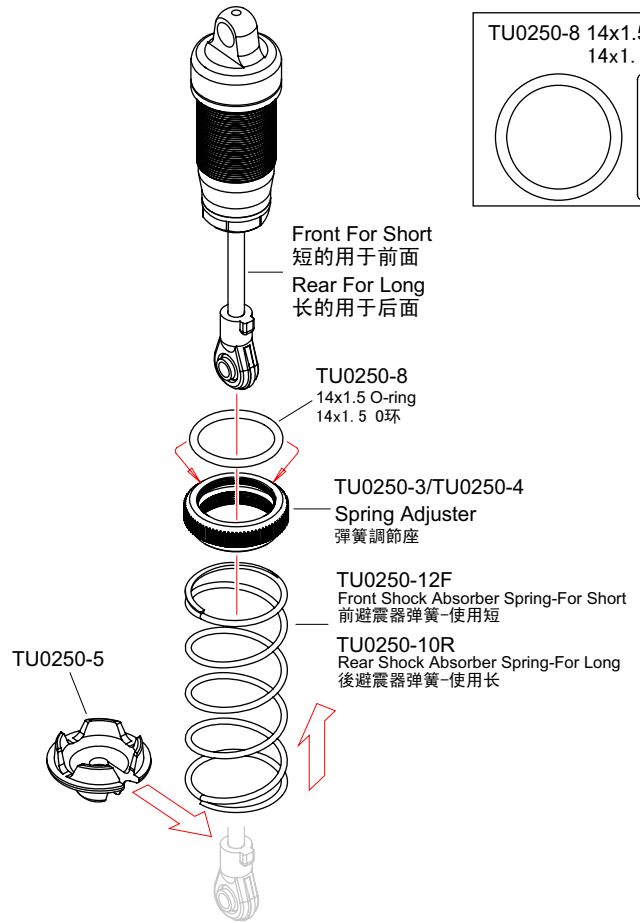
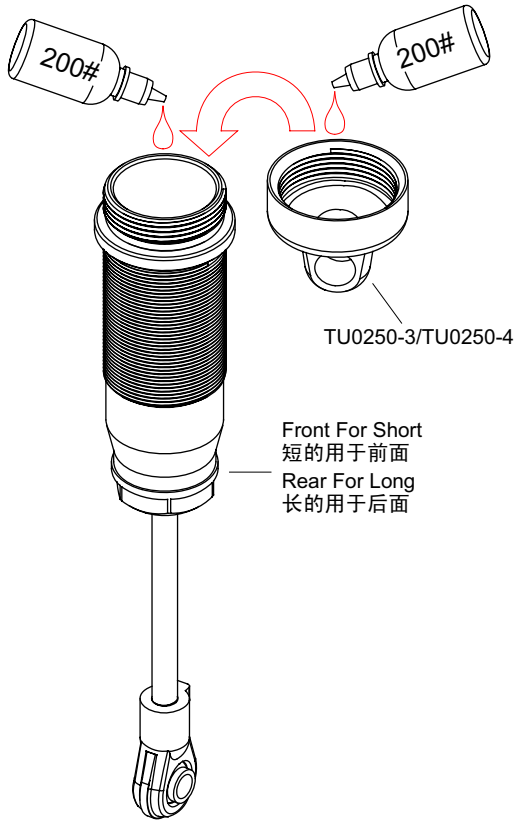
T02062 5.8x6 Ball stud
5.8球珠



29 Shock Absorber
避震器

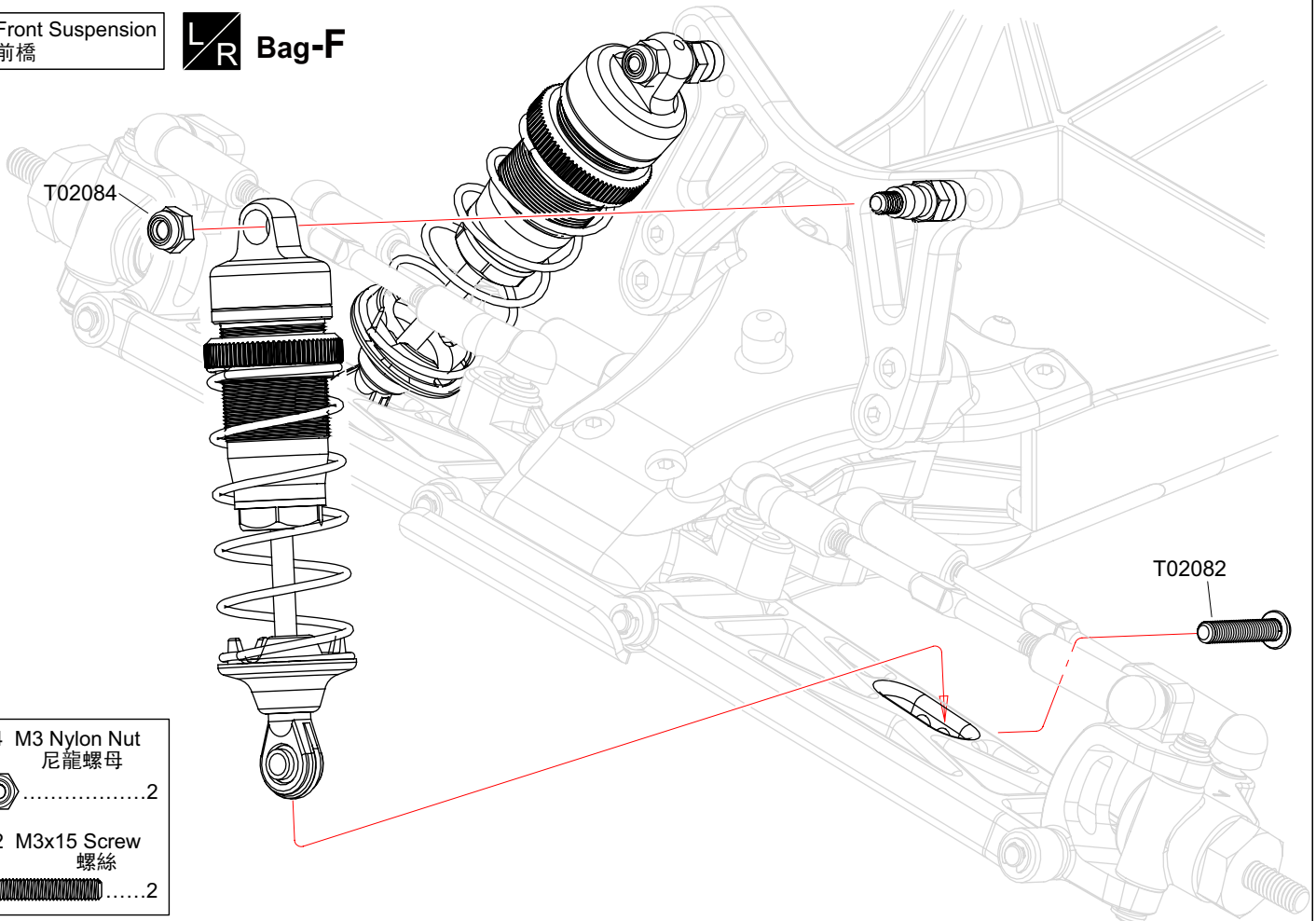
Bag-F

F/R x2



30 Front Suspension
前橋

L/R Bag-F



T02084 M3 Nylon Nut
尼龍螺母

.....2

T02082 M3x15 Screw
螺絲

.....2

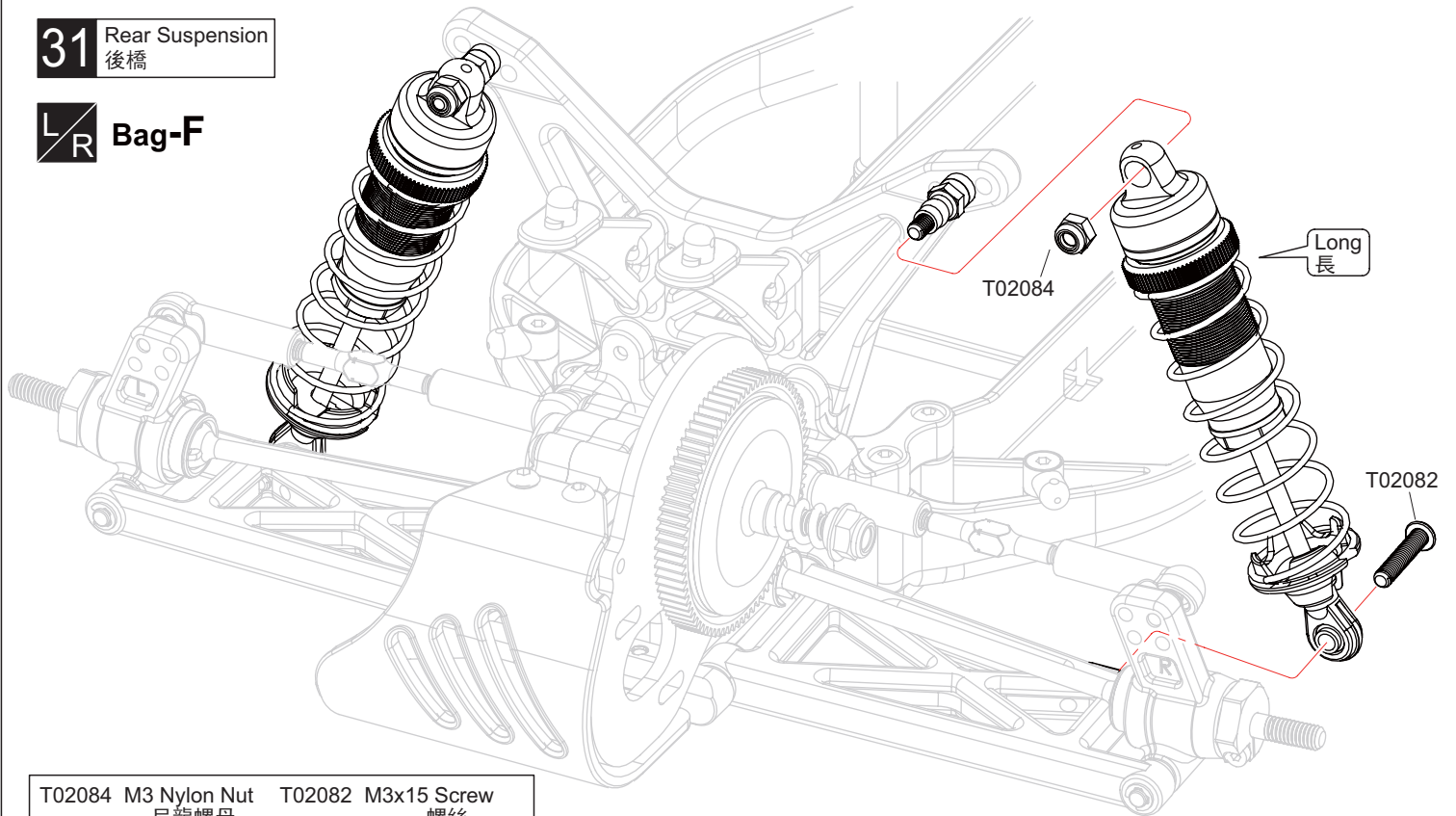
x2 Assemble as many times as specified
需組裝次數

F/R Assemble both Front and Rear
組裝前和後

L/R Assemble left and rear sides the same way
左右裝法相同

31 Rear Suspension
後橋

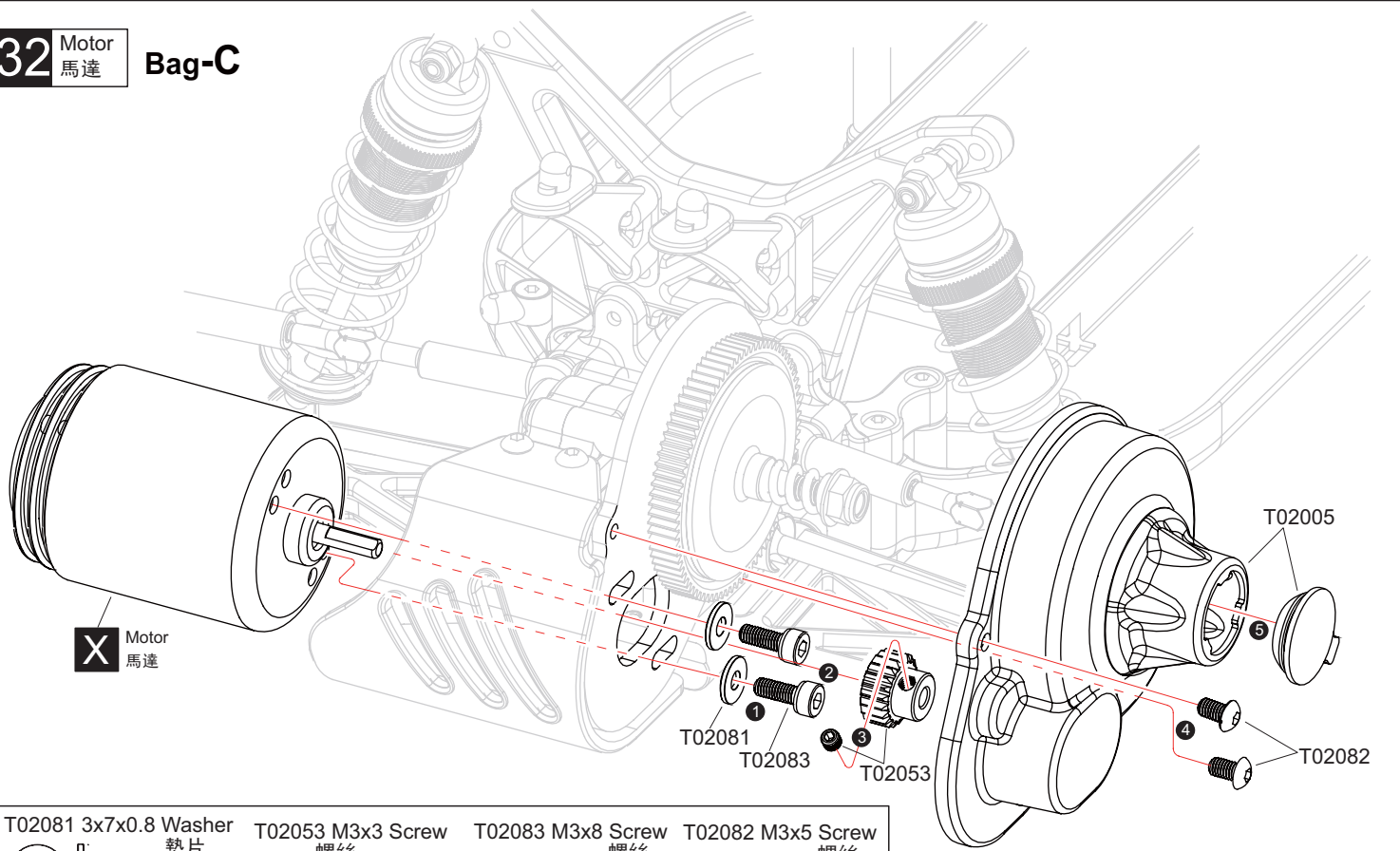
L/R Bag-F



| | | | |
|--------|--------------|--------|-------------|
| T02084 | M3 Nylon Nut | T02082 | M3x15 Screw |
| | 尼龍螺母 | | 螺絲 |
| |2 | |2 |

32 Motor
馬達

Bag-C



| | | | | | | | |
|--------|----------------|--------|------------|--------|------------|--------|------------|
| T02081 | 3x7x0.8 Washer | T02053 | M3x3 Screw | T02083 | M3x8 Screw | T02082 | M3x5 Screw |
| | 墊片 | | 螺絲 | | 螺絲 | | 螺絲 |
| |2 | |1 | |2 | |2 |



L/R Assemble left and rear sides the same way
左右裝法相同

Assemble in the specified order
按順序組裝

X Must be purchased separately
另購物品

33 Steering Servo 轉向伺服系統

Bag-B

Select for your servo
根據伺服器選擇

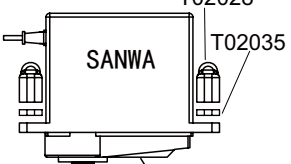


Steering Servo-H(24T)
轉向伺服臂H(24T)

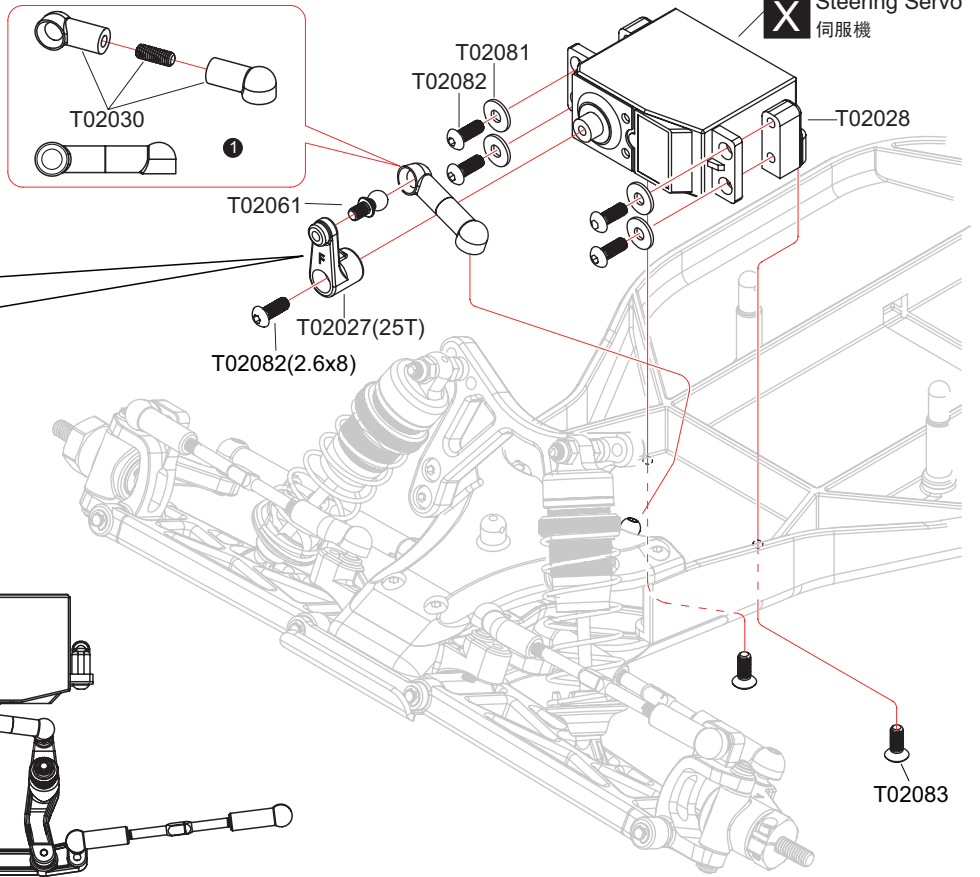


Steering Servo-S(23T)
轉向伺服臂S(23T)

Sanwa servo



X Steering Servo
伺服器

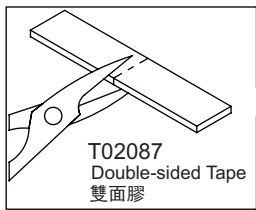


- | | | | | | |
|---|------------------------------------|-----------------------------------|-----------------------------------|--|---------------------------------------|
| T02061 Ball stud-silvery 球頭-銀色1 | T02030 M3x10 Screw 螺絲1 | T02082 M3x8 Screw 螺絲5 | T02083 M3x8 Screw 螺絲2 | T02030 4.8 Ball End(Short) 球頭座(短)2 | T02081 3x7x0.8 Washer 墊片4 |
|---|------------------------------------|-----------------------------------|-----------------------------------|--|---------------------------------------|

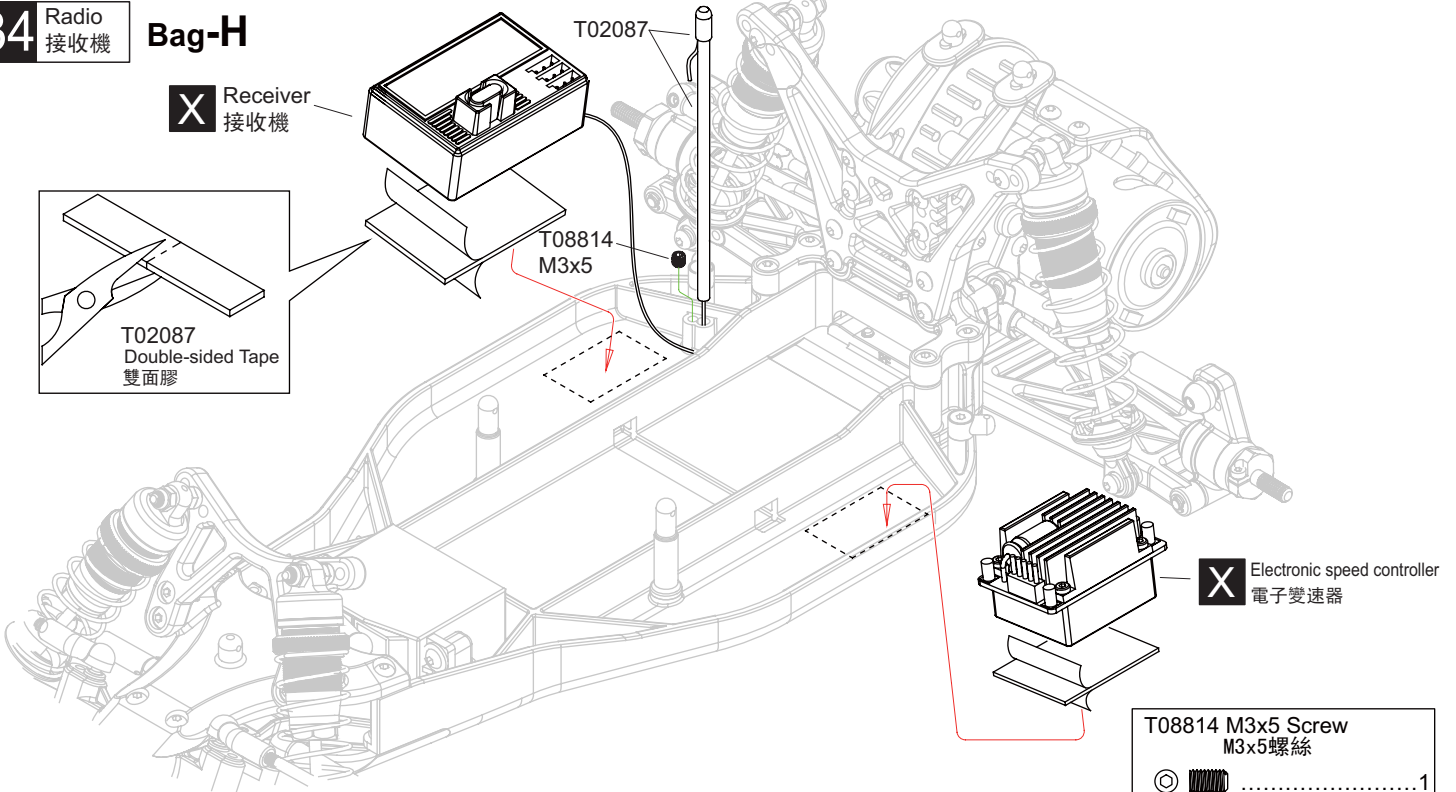
34 Radio 接收機

Bag-H

X Receiver
接收機



T02087
Double-sided Tape
雙面膠

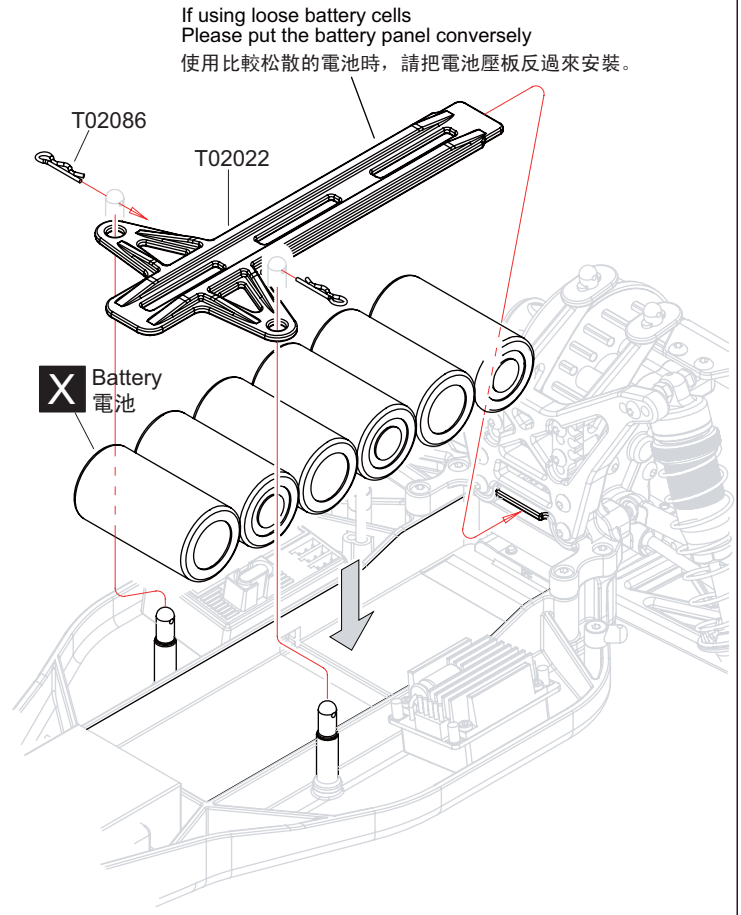
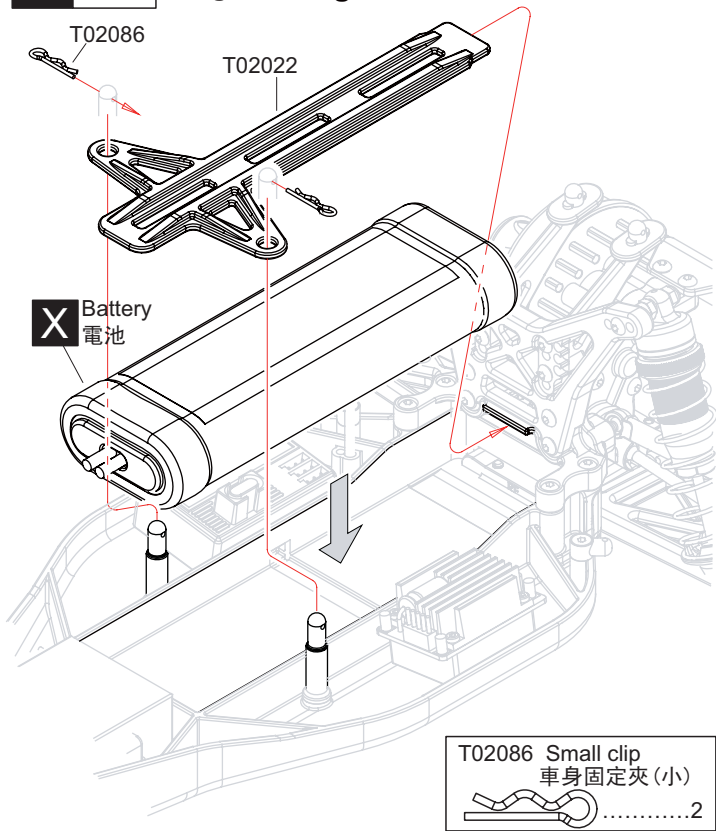


- | |
|---------------------------------------|
| T08814 M3x5 Screw M3x5螺絲1 |
|---------------------------------------|

X Must be purchased separately
另購物品

35 Battery
電池

Bag-B Bag-H



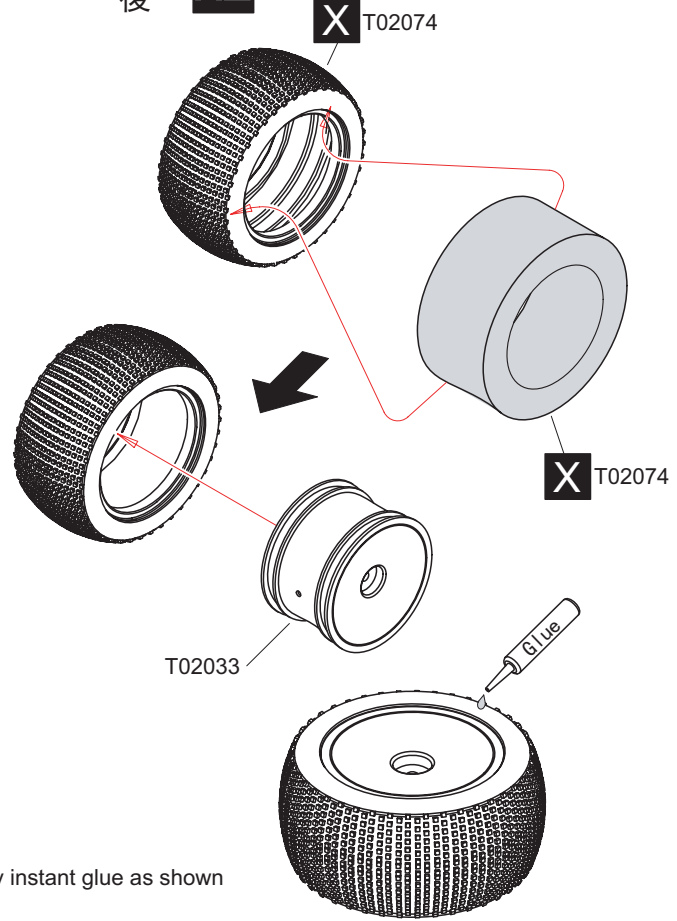
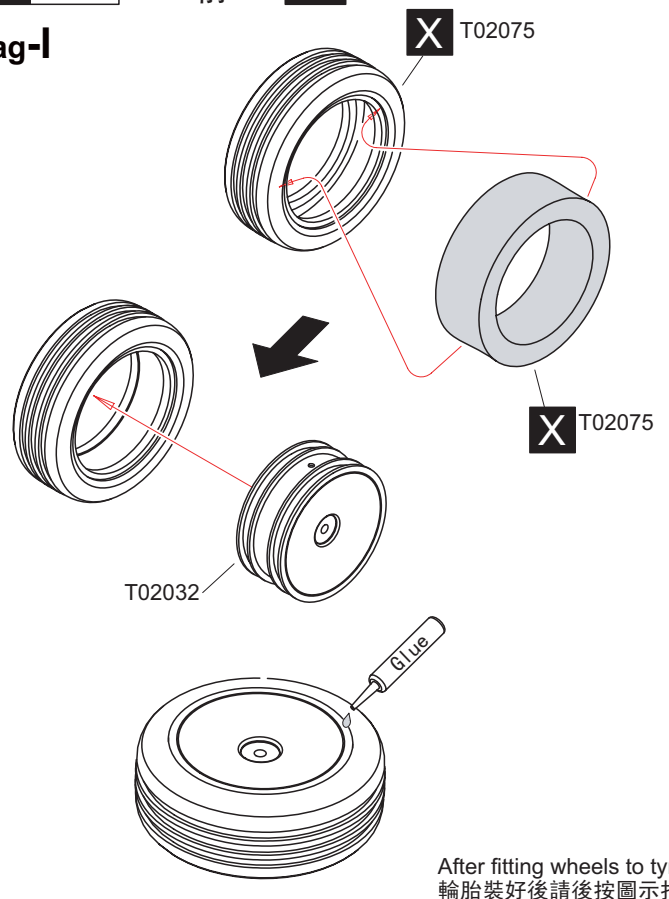
T02086 Small clip
車身固定夾 (小)
.....2

36 Wheels
輪胎

Front x2
前

Bag-I

Rear x2
後



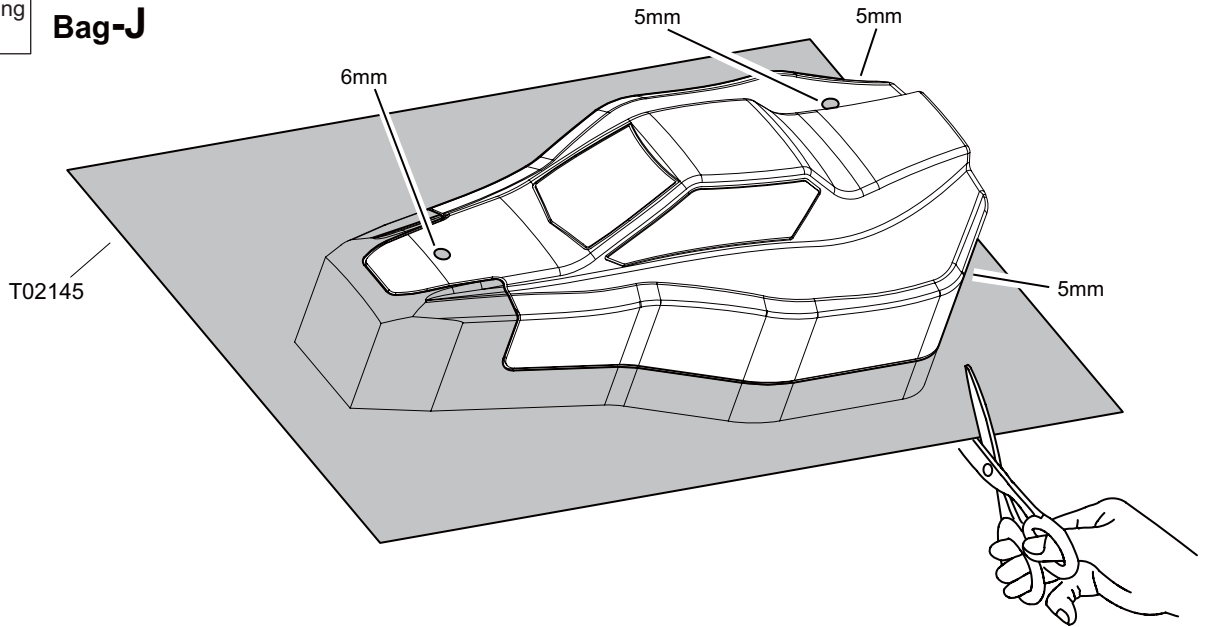
After fitting wheels to tyres, apply instant glue as shown
輪胎裝好後請按圖示打膠水

x2 Assemble as many times as specified
需組裝次數

X Must be purchased separately
另購物品

37 Body Mounting
車殼

Bag-J

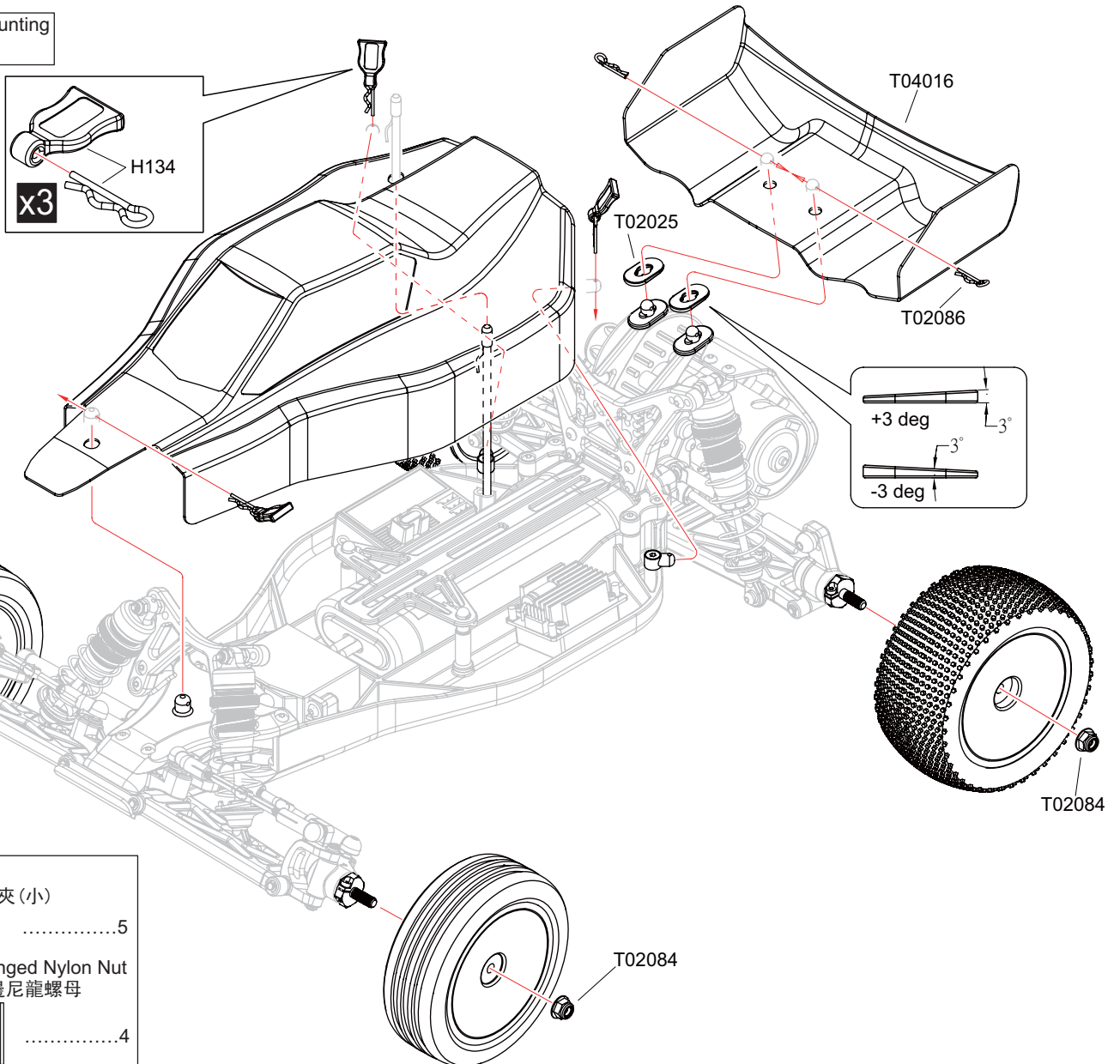


38 Body Mounting
車殼

Bag-E

Bag-H

Bag-A



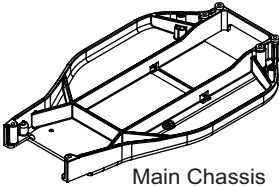
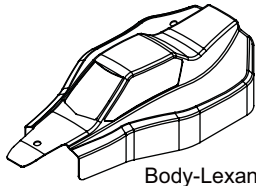
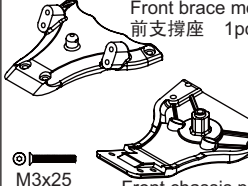

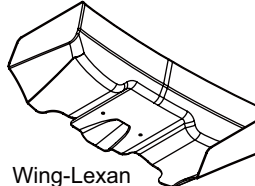
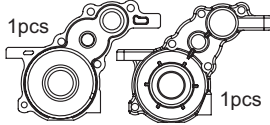
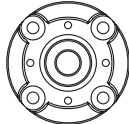
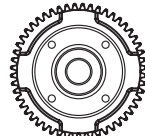
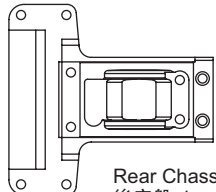
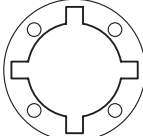
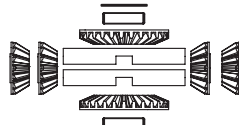
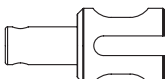

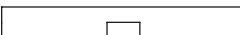
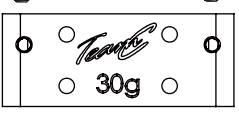
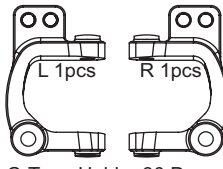
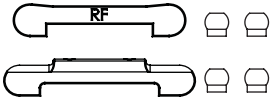
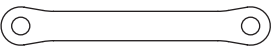
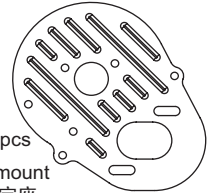
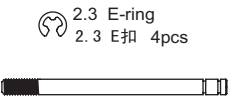
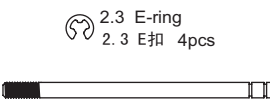
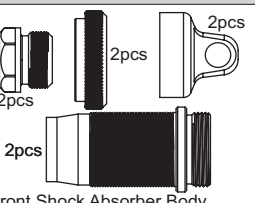
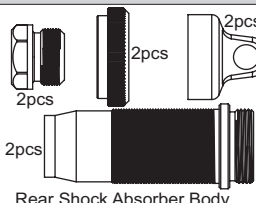




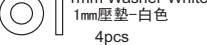

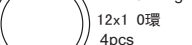

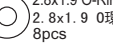

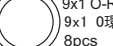

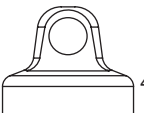
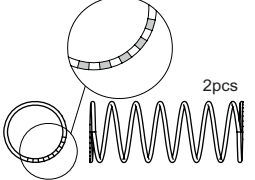
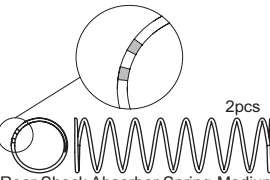
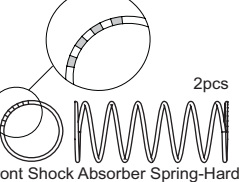
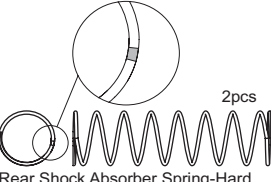
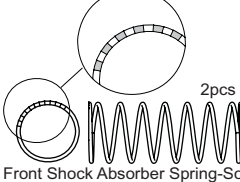
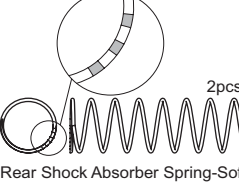
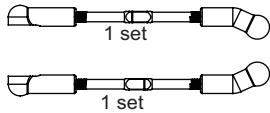
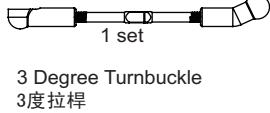
H134 Small clip
車身固定夾(小)
.....5

T02084 M4 Flanged Nylon Nut
帶邊尼龍螺母
.....4

x3 Assemble as many times as specified
需組裝次數

Parts list for T2 EVO off-road buggy - 1

T2 EVO配件包-1

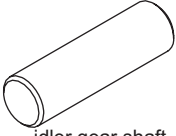

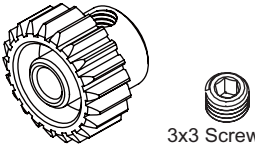
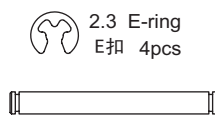
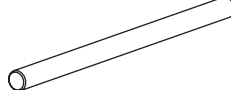
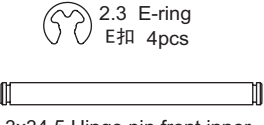
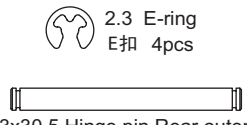
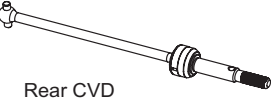


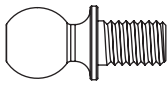
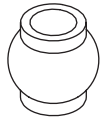



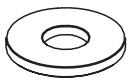
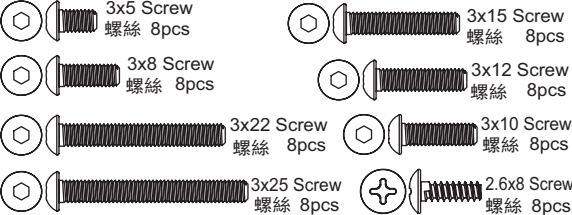
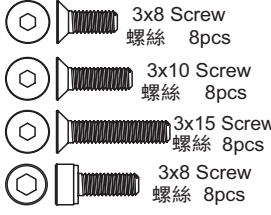
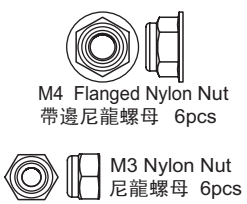


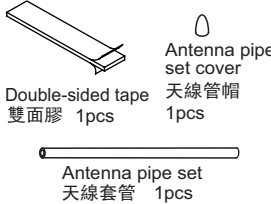
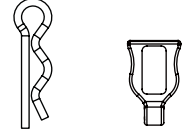
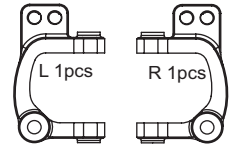

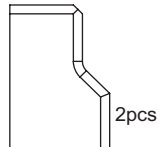
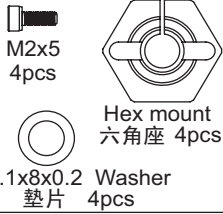
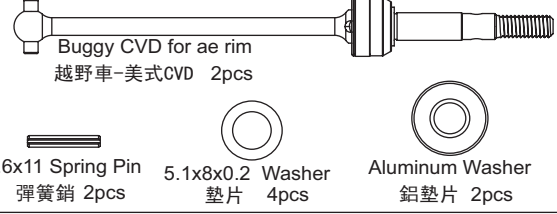
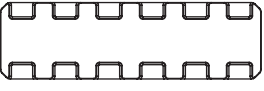
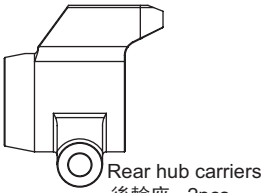
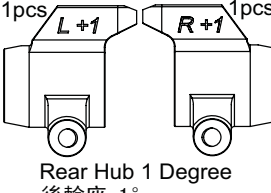
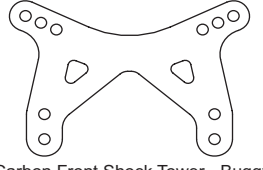
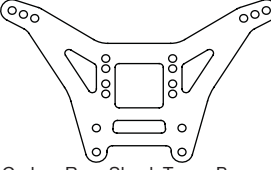
| | | | | |
|---|---|---|--|---|
| <p>T02144</p>  <p>Main Chassis 主底盤 1PCS</p> | <p>T02145</p>  <p>Body-Lexan 車殼 1pcs</p> | <p>T02147</p>  <p>Front brace mount 前支撐座 1pcs</p> <p>M3x25 1pcs</p>  <p>Front chassis plate 前底盤 1pcs</p> | <p>T04016</p>  <p>Wing-Lexan 尾翼 1pcs</p> | <p>T02150</p>  <p>1pcs</p> <p>Diff box 差速箱 1pcs</p> |
| <p>T02152</p>  <p>52T Diff Gear Cover 52T差速齒輪蓋 1pcs</p>  <p>52T Diff Gear 52T差速齒輪 1pcs</p> <p>4pcs M2.5x8 Screw M2.5x8螺絲</p> <p>2pcs 4.8x1.6 O-ring 4.8x1.6 O環</p> | <p>T02151</p>  <p>Rear Chassis 後底盤 1pcs</p> | <p>T02153</p>  <p>Diff Pads 差速墊片 1pcs</p> | <p>T02154</p>  <p>14T/28T Gear Set 14T/28T齒輪組</p> | |
| <p>T02155</p>  <p>Diff Connecting Cup 差速接杯 2pcs</p> | <p>T02156</p>  <p>4.8x1.6 O-ring 4.8x1.6 O環 4pcs</p> | <p>T02157</p>  <p>Diff Gear Shaft 差速齒輪軸 2pcs</p> | <p>TU0213</p>  <p>Brass Front Arm Mount - 30g 前擺臂銅座-30g 1 set</p> | <p>TU0220</p>  <p>L 1pcs R 1pcs</p> <p>C-Type-Holder 30 Degree 30° C型座</p> |
| <p>TU0221</p>  <p>Rear arm mount F/R 1Set 後擺臂固定座 前/後</p> | <p>TU0226</p>  <p>Front hinge pin brace 前擺臂固定片 1pcs</p> | <p>TU0229</p>  <p>1pcs</p> <p>Motor mount 馬達固定座</p> | <p>TU0250-1</p>  <p>2.3 E-ring 2.3 E扣 4pcs</p> <p>Front Shock Absorber Shaft 前避震器軸 2pcs</p> | <p>TU0250-2</p>  <p>2.3 E-ring 2.3 E扣 4pcs</p> <p>Rear Shock Absorber Shaft 後避震器軸 2pcs</p> |
| <p>TU0250-3</p>  <p>2pcs</p> <p>2pcs</p> <p>Front Shock Absorber Body 前避震器筒身</p> | <p>TU0250-4</p>  <p>2pcs</p> <p>2pcs</p> <p>Rear Shock Absorber Body 後避震器筒身</p> | <p>TU0250-5</p>  <p>Below Spring mount end 彈簧下座 4pcs</p> | <p>TU0250-6</p>  <p>4pcs</p> <p>Shock cap ball 避震蓋球頭</p> | <p>TU0250-7</p>  <p>Front Piston-Black 前活塞-黑色 2pcs</p>  <p>Rear Piston-White 後活塞-白色 2pcs</p> |
| <p>TU0250-8</p>  <p>1mm Washer-White 1mm壓墊-白色 4pcs</p>  <p>Spring 彈簧 4pcs</p>  <p>12x1 O-Ring 12x1 O環 4pcs</p>  <p>1mm Washer-Black 1mm壓墊-黑色 4pcs</p>  <p>2.8x1.9 O-Ring 2.8x1.9 O環 8pcs</p>  <p>2.5mm Washer-White 2.5mm壓墊-白色 4pcs</p>  <p>9x1 O-Ring 9x1 O環 8pcs</p>  <p>14x1.5 O-Ring 14x1.5 O環 4pcs</p> | <p>TU0250-9</p>  <p>Shock Absorber Cover 避震器蓋 4pcs</p> | <p>TU0250-12F</p>  <p>2pcs</p> <p>Front Shock Absorber Spring-Medium 前避震器彈簧-中</p> | <p>TU0250-10R</p>  <p>2pcs</p> <p>Rear Shock Absorber Spring-Medium 後避震器彈簧-中</p> | |
| <p>TU0250-11F</p>  <p>2pcs</p> <p>Front Shock Absorber Spring-Hard 前避震器彈簧-硬</p> | <p>TU0260-R</p>  <p>2pcs</p> <p>Rear Shock Absorber Spring-Hard 後避震器彈簧-硬</p> | <p>TU0250-13F</p>  <p>2pcs</p> <p>Front Shock Absorber Spring-Soft 前避震器彈簧-軟</p> | <p>TU0262-R</p>  <p>2pcs</p> <p>Rear Shock Absorber Spring-Soft 後避震器彈簧-軟</p> | <p>TU0253</p>  <p>1 set</p>  <p>1 set</p> <p>3 Degree Turnbuckle 3度拉桿</p> |

Parts list for T2 EVO off-road buggy - 2 T2 EVO配件包-2

| | | | | |
|---|--|---|---|--|
| <p>TU0254</p>  <p>12mm Hex Hub-4mm 12mm六角座-4mm 4PCS</p> | <p>TU0256</p>  <p>Turnbuckle Set - 22mm 拉桿組-22mm 6 set</p> | <p>TU0258</p>  <p>28T Spur Gear-Aluminium 28T減速齒-鋁 1pcs</p> | <p>TU0277</p>  <p>80T Kevlar Gear 80T凱夫拉齒輪 1pcs</p> | <p>T08814</p>  <p>M3x5 Set screw M3x5機米螺絲 8pcs</p> |
| <p>T02005</p>  <p>Gear Cover Button 齒輪蓋塞 1pcs</p>  <p>Gear Cover 齒輪蓋 1pcs</p> | <p>T02012</p>  <p>Steering block-L 轉向臂-L 1pcs</p>  <p>Steering block-R 轉向臂-R 1pcs</p> | <p>T02013</p>  <p>3.1x6x1 Plastic Washer 塑膠墊片 4pcs</p>  <p>1pcs 1pcs Rear hub carriers 後輪座</p> | <p>T02015</p>  <p>Front upper suspension arm mount 前上擺臂座 1pcs</p> | <p>T02016</p>  <p>Front lower arms 前下擺臂 2pcs</p> |
| <p>T02017</p>  <p>Rear lower arms 後下擺臂 2pcs</p> | <p>T02018</p>  <p>Rear brace mount 後支撐座 1pcs</p> | <p>T02020</p>  <p>Front shock tower 前避震支架 1pcs</p> | <p>T02021</p>  <p>Rear shock tower 後避震支架 1pcs</p> | <p>T02022</p>  <p>Battery plate 電池壓板 1pcs</p> |
| <p>T02023</p>  <p>Servo saver upper 緩衝臂上 1pcs</p>  <p>Servo saver lower 緩衝臂下 1pcs</p>  <p>Servo saver - L 緩衝臂-L 1pcs</p> | <p>T02024</p>  <p>Steering Rack 緩衝連接片 1pcs</p> | <p>T02025</p>  <p>Rear body mount 後車殼柱 2pcs</p>  <p>Wing angle shim 尾翼調整片 2pcs</p>  <p>2pcs Wing bracket 尾翼架</p>  <p>Battery column 電池扣支柱 2pcs</p> | <p>T02026</p>  <p>Front bumper 前防撞板 1pcs</p>  <p>Motor guard 馬達罩 1pcs</p> | <p>T02027</p>  <p>1pcs 1pcs 1pcs Steering Servo horn 轉向伺服臂</p> |
| <p>T02028</p>  <p>Servo plate 伺服機座 2pcs</p> | <p>T02029</p>  <p>4.8 Ball End-Long 球頭座-長 6pcs</p> | <p>T02030</p>  <p>1pcs 3x10 Screw 螺絲</p>  <p>2pcs 4.8 Ball End - Short 球頭座-短</p> | <p>T02031</p>  <p>Upper cover nylon cap 上蓋尼龍帽 2pcs</p>  <p>Spring Mount 彈簧固定座 2pcs</p>  <p>5.8 Ball End 球頭座 2pcs</p> | <p>T02032</p>  <p>Front rim 前輪框 2pcs</p> |
| <p>T02033</p>  <p>Rear rim 後輪框 2pcs</p> | <p>T02035</p>  <p>1.0 Servo spacer 伺服機座墊片 2pcs</p>  <p>1.5 Servo spacer 伺服機座墊片 2pcs</p> | <p>T02038</p>  <p>2pcs Slipper pad 扭限摩擦片</p> | <p>T02039</p>  <p>Slipper hub 扭限座 2pcs</p> | <p>T02040</p>  <p>1pcs Slipper Spring 扭限彈簧</p> |
| <p>T02041</p>  <p>Top shaft spacer 襯套 1pcs</p> | <p>T02042</p>  <p>4.0 E-ring E扣 2pcs</p>  <p>2x9.8 Pin 鋼針 2pcs</p>  <p>Front wheel axle 前輪軸 2pcs</p> | <p>T02043</p>  <p>Buffer Nut 緩沖調整螺帽 1pcs</p>  <p>4.0 E-ring E扣 1pcs</p>  <p>1pcs Buffer Spring 緩沖彈簧</p>  <p>Buffer column-A 轉向緩沖器 支柱A 1pcs</p>  <p>Buffer column-B 轉向緩沖器 支柱B 1pcs</p> | <p>T02044</p>  <p>3x10 Screw 螺絲 2pcs</p>  <p>Block Carrier 緩沖鋼套 2pcs</p>  <p>3x7x0.8 Washer 墊片 2pcs</p> | <p>T02091</p>  <p>3x54 Adjust Rod 正反牙螺桿 2pcs</p> |











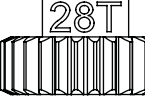

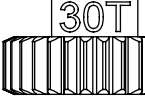
Parts list for T2 EVO off-road buggy - 3

T2 EVO配件包-3

| | | | | |
|---|---|--|--|---|
| <p>T02051</p>  <p>idler gear shaft 減速齒輪軸 1pcs</p> | <p>T02052</p>  <p>Gear 20T 入力齒 1pcs</p> | <p>T02053</p>  <p>Pinion Gear 21T 馬達齒 1pcs</p> <p>3x3 Screw 螺絲 1pcs</p> | <p>T02054</p>  <p>2.3 E-ring E扣 4pcs</p> <p>3x27.5 Hinge pin front outer 前擺臂銷-外 2pcs</p> | <p>T02055</p>  <p>3x48 Hinge pin Rear inner 後擺臂銷-內 2pcs</p> |
| <p>T02056</p>  <p>2.3 E-ring E扣 4pcs</p> <p>3x34.5 Hinge pin front inner 前擺臂銷-內 2pcs</p> | <p>T02057</p>  <p>2.3 E-ring E扣 4pcs</p> <p>3x30.5 Hinge pin Rear outer 後擺臂銷-外 2pcs</p> | <p>T02058</p>  <p>Rear CVD 後CVD 萬向傳動軸 2pcs</p> | <p>T02092</p>  <p>Ball stud sponge 球頭海綿 2pcs</p> <p>Ball stud - long 球頭-長 2pcs</p> | <p>T02093</p>  <p>Ball stud sponge 球頭海綿 5pcs</p> <p>Ball stud -short 球頭-短 5pcs</p> |
| <p>T02061</p>  <p>Ball stud -silvery 球頭-銀色 2pcs</p> | <p>T02062</p>  <p>5.8x6 Ball stud 球頭 4pcs</p> | <p>T02099</p>  <p>10x15x4 Ball Bearing 軸承 6pcs</p> | <p>T02100</p>  <p>5x10x4 Ball Bearing 軸承 6pcs</p> | <p>T02080</p>  <p>3x6x2.5 Ball Bearing 軸承 4pcs</p> |
| <p>T02081</p>  <p>3x7x0.8 Washer 墊片 10pcs</p> | <p>T02082</p>  <p>3x5 Screw 螺絲 8pcs</p> <p>3x8 Screw 螺絲 8pcs</p> <p>3x22 Screw 螺絲 8pcs</p> <p>3x25 Screw 螺絲 8pcs</p> <p>3x15 Screw 螺絲 8pcs</p> <p>3x12 Screw 螺絲 8pcs</p> <p>3x10 Screw 螺絲 8pcs</p> <p>2.6x8 Screw 螺絲 8pcs</p> | | <p>T02083</p>  <p>3x8 Screw 螺絲 8pcs</p> <p>3x10 Screw 螺絲 8pcs</p> <p>3x15 Screw 螺絲 8pcs</p> <p>3x8 Screw 螺絲 8pcs</p> | <p>T02084</p>  <p>M4 Flanged Nylon Nut 帶邊尼龍螺母 6pcs</p> <p>M3 Nylon Nut 尼龍螺母 6pcs</p> |
| <p>T02085</p>  <p>2.3 E-ring E扣 8pcs</p> <p>4 E-ring E扣 8pcs</p> | <p>T02086</p>  <p>Small clip 車身固定夾(小) 8pcs</p> | <p>T02087</p>  <p>Antenna pipe set cover 天線管帽 1pcs</p> <p>Double-sided tape 雙面膠 1pcs</p> <p>Antenna pipe set 天線套管 1pcs</p> | <p>H134</p>  <p>Small clip 小號插銷 6pcs</p> <p>Small clip Holder 小號插銷固定座 6pcs</p> | <p>TU0219 OP</p>  <p>L 1pcs</p> <p>R 1pcs</p> <p>C-Type-Holder 25 Degree 25° C型座</p> |
| <p>TU0223 OP</p>  <p>8pcs</p> <p>Rear arm mount -Ball 後擺臂固定座-球珠</p> | <p>TU0224 OP</p>  <p>2pcs</p> <p>Servo mount 伺服機固定座</p> | <p>TU0225 OP</p>  <p>M2x5 4pcs</p> <p>Hex mount 六角座 4pcs</p> <p>5.1x8x0.2 Washer 墊片 4pcs</p> | <p>TU0233 OP</p>  <p>Buggy CVD for ae rim 越野車-美式CVD 2pcs</p> <p>1.6x11 Spring Pin 彈簧銷 2pcs</p> <p>5.1x8x0.2 Washer 墊片 4pcs</p> <p>Aluminum Washer 鋁墊片 2pcs</p> | |
| <p>TU0228 OP</p>  <p>Brass battery tray 1pcs 電池銅座</p> | <p>TU0236 OP</p>  <p>Rear hub carriers 後輪座 2pcs</p> | <p>TU0237 OP</p>  <p>L+1 1pcs</p> <p>R+1 1pcs</p> <p>Rear Hub 1 Degree 後輪座 1°</p> | <p>TU0240 OP</p>  <p>Carbon Front Shock Tower - Buggy 碳纖前避震架-越野車 1pcs</p> | <p>TU0242 OP</p>  <p>Carbon Rear Shock Tower-Buggy 碳纖後避震架-越野車 1pcs</p> |

Parts list for T2 EVO off-road buggy - 4

T2 EVO配件包-4

| | | | | |
|--|---|---|--|---|
| <p>H477 OP</p>  <p>M3x3 1pcs</p> <p>Aluminium Motor Gear-17T 鋁合金馬達齒-17T 1pcs</p> | <p>H478 OP</p>  <p>M3x3 1pcs</p> <p>Aluminium Motor Gear-18T 鋁合金馬達齒-18T 1pcs</p> | <p>H479 OP</p>  <p>M3x3 1pcs</p> <p>Aluminium Motor Gear-19T 鋁合金馬達齒-19T 1pcs</p> | <p>H480 OP</p>  <p>M3x3 1pcs</p> <p>Aluminium Motor Gear-20T 鋁合金馬達齒-20T 1pcs</p> | <p>H482 OP</p>  <p>M3x3 1pcs</p> <p>Aluminium Motor Gear-22T 鋁合金馬達齒-22T 1pcs</p> |
| <p>H483 OP</p>  <p>M3x3 1pcs</p> <p>Aluminium Motor Gear-23T 鋁合金馬達齒-23T 1pcs</p> | <p>H484 OP</p>  <p>M3x3 1pcs</p> <p>Aluminium Motor Gear-24T 鋁合金馬達齒-24T 1pcs</p> | <p>H485 OP</p>  <p>M3x3 1pcs</p> <p>Aluminium Motor Gear-25T 鋁合金馬達齒-25T 1pcs</p> | <p>H486 OP</p>  <p>M3x3 1pcs</p> <p>Aluminium Motor Gear-26T 鋁合金馬達齒-26T 1pcs</p> | <p>H487 OP</p>  <p>M3x3 1pcs</p> <p>Aluminium Motor Gear-27T 鋁合金馬達齒-27T 1pcs</p> |
| <p>H488 OP</p>  <p>M3x3 1pcs</p> <p>Aluminium Motor Gear-28T 鋁合金馬達齒-28T 1pcs</p> | <p>H489 OP</p>  <p>M3x3 1pcs</p> <p>Aluminium Motor Gear-29T 鋁合金馬達齒-29T 1pcs</p> | <p>H530 OP</p>  <p>M3x3 1pcs</p> <p>Aluminium Motor Gear-30T 鋁合金馬達齒-30T 1pcs</p> | | |
| | | | | |
| | | | | |
| | | | | |
| | | | | |

T2 EVO

SETUP SHEET for the TeamC T2 EVO

Driver _____

Track / City _____

Event _____ Date ____ / ____ / ____

Conditions

- | | | | | |
|--|---------------------------------|------------------------------------|---------------------------------------|---------------------------------------|
| <input type="checkbox"/> High traction | <input type="checkbox"/> Smooth | <input type="checkbox"/> Bumpy | <input type="checkbox"/> Low traction | <input type="checkbox"/> Med traction |
| <input type="checkbox"/> Clay | <input type="checkbox"/> Sandy | <input type="checkbox"/> Soft dirt | <input type="checkbox"/> Grass | <input type="checkbox"/> Hard soil |
| | <input type="checkbox"/> Wet | <input type="checkbox"/> Dry | <input type="checkbox"/> Dusty | <input type="checkbox"/> Other |

Front Suspension

Shock Mounting&Camber link

Toe-in (+)/Out (-) _____ °
 Bump Steep Spacer _____

Caster
 25°
 30°

Washers _____ mm

Camber _____ °

Washers _____ mm

Ride height _____

Front Shocks

Spring(color)
 Black

Oil _____ wt
 Piston # _____

mm

Rear Suspension

Shock Mounting&Camber link

Wheelbase
 Long
 Medium
 Short

Camber _____ °
 Normal

Washers _____ mm

Washers _____ mm

Ride height _____

Rear Shocks

Spring(color)
 Black

Oil _____ wt
 Piston # _____

mm

Diff

Brand _____
 Oil wt _____

Front Tires&Wheels

Front Tires _____
 Inserts _____ Wheels _____

Front Tires&Wheels

Front Tires _____
 Inserts _____ Wheels _____

Batteries

Servo _____
 Esc _____
 Batteries _____

Motor

Motor _____
 Pinion/Spur _____ / _____

Other

Wing _____
 Wing Angle 4° 10°

Comments

Notes _____



www.teamcracing.net