

TEBTE

1:8 SCALE 4WD ELECTRIC PRO RACING TRUGGY



Team



Notice

Thank you for purchasing this T8TE Competition Truggy by Team C. This manual shows instructions and tips to built and maintain your T8ET. Please take some time to read through to get familiar with the shown steps.

We continually improve our products, due to that, actual parts my be different to the illustrations. Please check our website for the latest versions manuals and tips before you start to built this model.

This manual is written in english language only. If you need a manual in your language please visit our website or contact your distributor!

Diese Anleitung wurde in englischer Sprache verfasst. Sollten sie eine Anleitung in ihrer Sprache benötigen, besuchen sie unsere website oder konaktieren sie ihren Vertriebsagenten.

Questo manuale è stato scritto in inglese. Se avete bisogno del manuale nella tua lingua, si prega di visitare il nostro sito web o contattate il proprio distributore.

Este manual está escrito en Inglés. Si necesita el manual en su idioma, por favor visite nuestro sitio web o contacte con su distribuidor.

Ce manuel est écrit en langue anglaise. Si vous avez besoin d'un manuel dans votre langue s'il vous plaît visitez notre site web ou contactez votre distributeur!

Deze handleiding is geschreven in het Engels taal beschikbaar. Als u een handleiding in uw eigen taal kunt u terecht op onze website of neem contact op met uw distributeur!

Generall Information

THIS IS NOT A TOY!

Not suitable for children under 14 years of age without adult supervision.

This is a high performance vehicle, for safety reason don't run on public streets, in crowded areas, environmentally areas or near children or animals.

This model contains rotating parts and parts which become hot during operation. Care must been taken to avoid damage or injuries.

This product may require some assembly and routine maintance.

This product is covered by warranty based on material defectives. Crash damage or maintenance failures are not covered under warranty.

Batteries should be used in good condition only, and need to be fully charged.

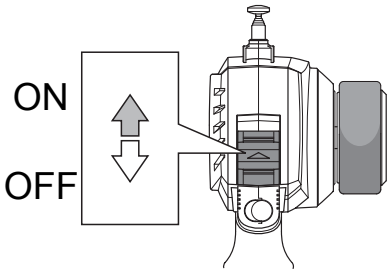
Nitro models should be driven outside of buildings only. Inhaling exhaust gases could cause health damage.

Keep chemicals stored out of the range of small children.

Make sure your model and equipment is in perfect condition before you use it, to ensure savety and fun while driving.

Transmitter Preparation

Power Switch



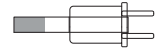
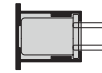
Antenna

Extend the antenna to the maximum Length for best performance

27MHz Transmitter Crystal (TX)

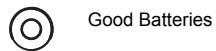
Transmitter crystal(TX)

Receiver crystal(RX)



The crystal can be replaced to change frequencies.
Note : You must also change receiver crystals!
Do not use AM crystals

Battery Level Indicator



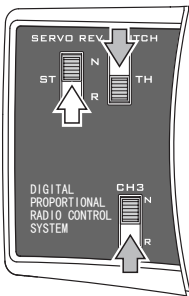
Good Batteries



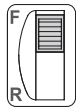
Low Batteries(Light Blinks)

Reverse Switch 反向开关

! Servo Factory Settings

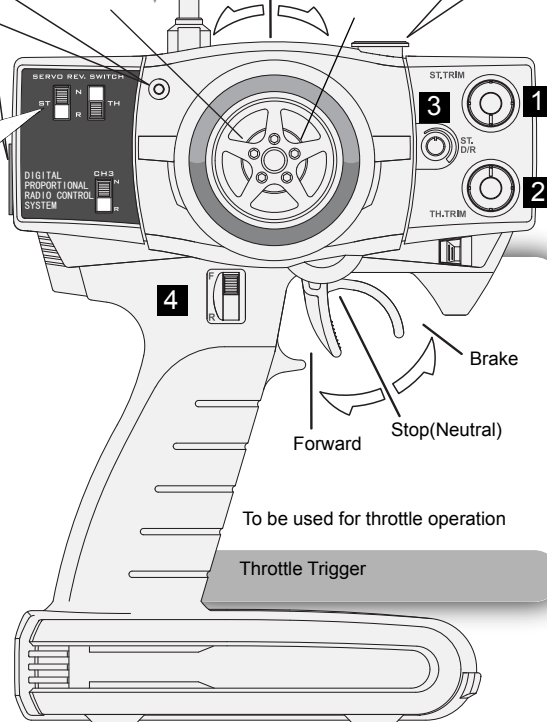


4 3ch Switch



This switch is used for optional parts.

Left turn Straight (neutral) Right turn



1 Steering Trim



To be used for trimming the steering operation

2 Throttle Trim



To be used for trimming the throttle operation

3 Steering Dual Rate

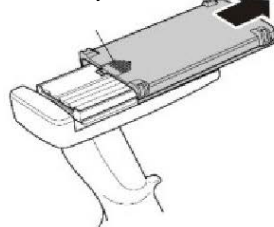


To be used to adjust steering servo throw

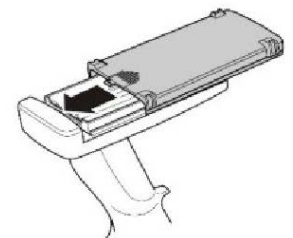
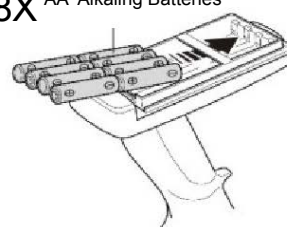
Transmitter Battery Installation

Open battery cover at the bottom of transmitter. Install batteries. Follow the direction of batteries designated in the inside of battery box.

Battery Cover



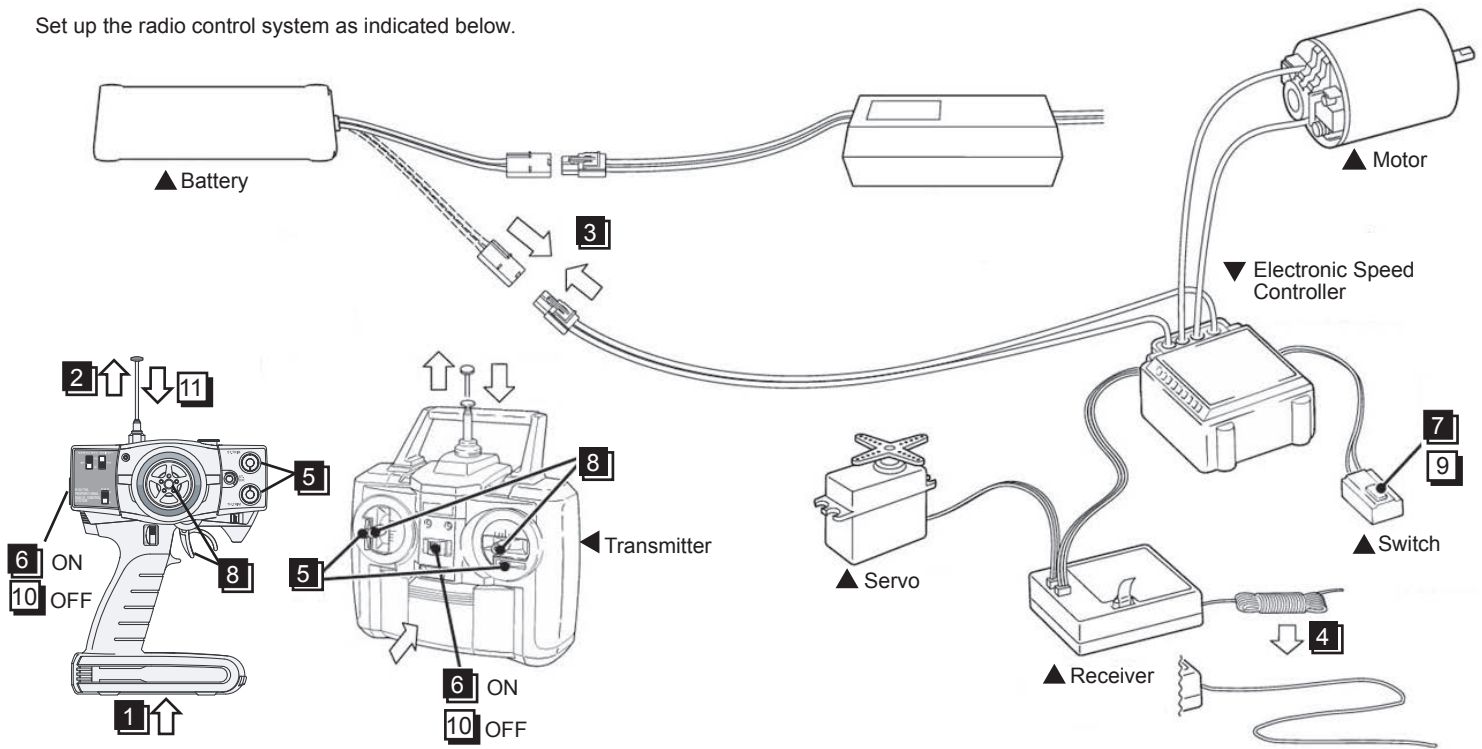
8X AA Alkaling Batteries



Transmitter Preparation

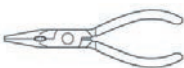



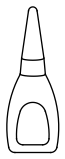

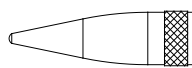

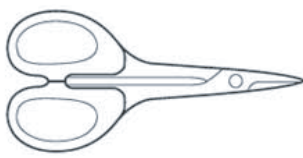





A new Ni-MH battery must be charged before it is used. Refer to the charger instruction manual for charging.

Set up the radio control system as indicated below.



- **Start**
 - 1 Install batteries.(Transmitter)
 - 2 Extend the antenna.(Transmitter)
 - 3 Connect the battery
 - 4 Extend the antenna.(Receiver)
 - 5 Center the trims.
 - 6 Switch on.(Transmitter)
 - 7 Switch on.(Receiver)
 - 8 Make sure the servos are in command.
- **Finish**
 - 9 Switch off.(Receiver)
 - 10 Switch off.(Transmitter)
 - 11 Retract the antenna(Transmitter)

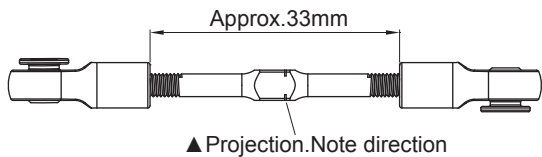
Tools required

- | | | | | |
|---|--|---|---|---|
| ● Needle Nose Pliers
 | ● Awl
 | ● Grease
 | ● Screw Cement
 | ● H162 Instant Glue
 |
| ● Differential Grease
 | ● H154 Body Reamer
 | ● Wire Cutters
 | ● H096 ROUND CUTTER
 | |
| ● Molybdenum Grease(Black)
 | ● Hex Wrench
 | ● Sharp Hobby knife
 | | |
| ● Hex Wrench
 | ● Hex Wrench
 | No need to pre-drill precise holes (1mm to 15mm) can be drilled | | For trimming bodies! |

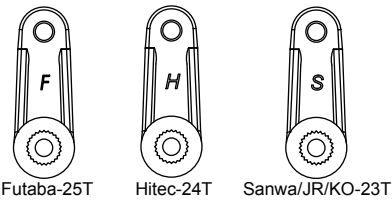
1 Servo Saver Turnbuckle

Bag-A

1:1



Select the servo horn matching the servo being used.



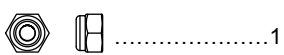
T08760 5.8 Ball End



T08759 5.8 Ball stud



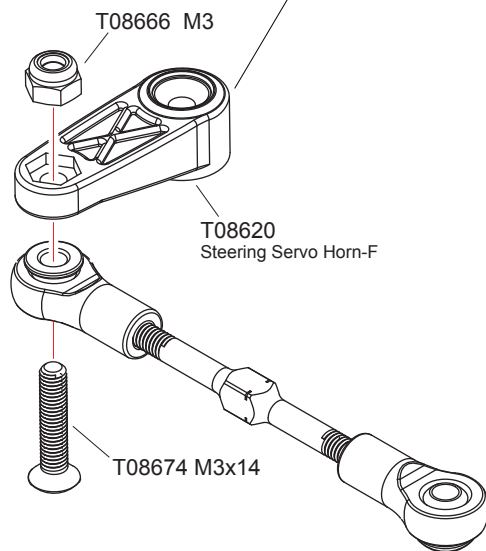
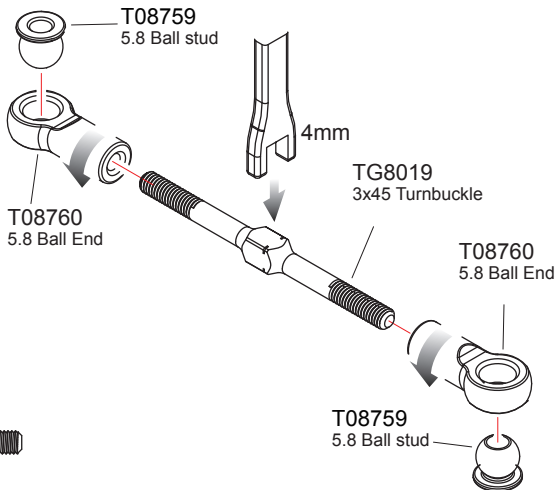
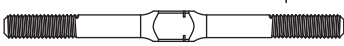
T08666 M3 Nylon Nut



T08674 M3x14 Screw

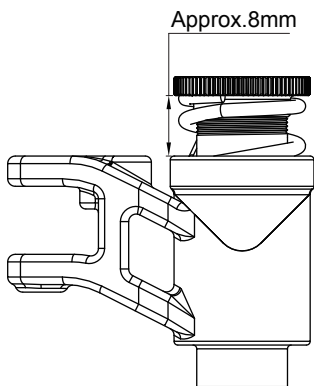


TG8019 3x45 Turnbuckle



2 Buffer

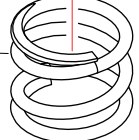
Bag-A



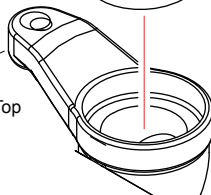
T08650 Servo Saver Nut



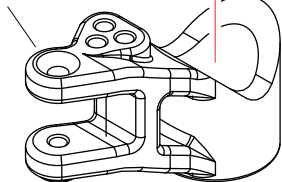
T08650 Servo Saver Spring



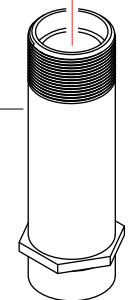
T08762 Servo Saver-Top



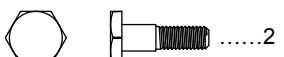
T08762 Servo Saver-Bottom



T08650 Servo Saver Body



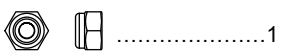
T08651 Buffer Screw



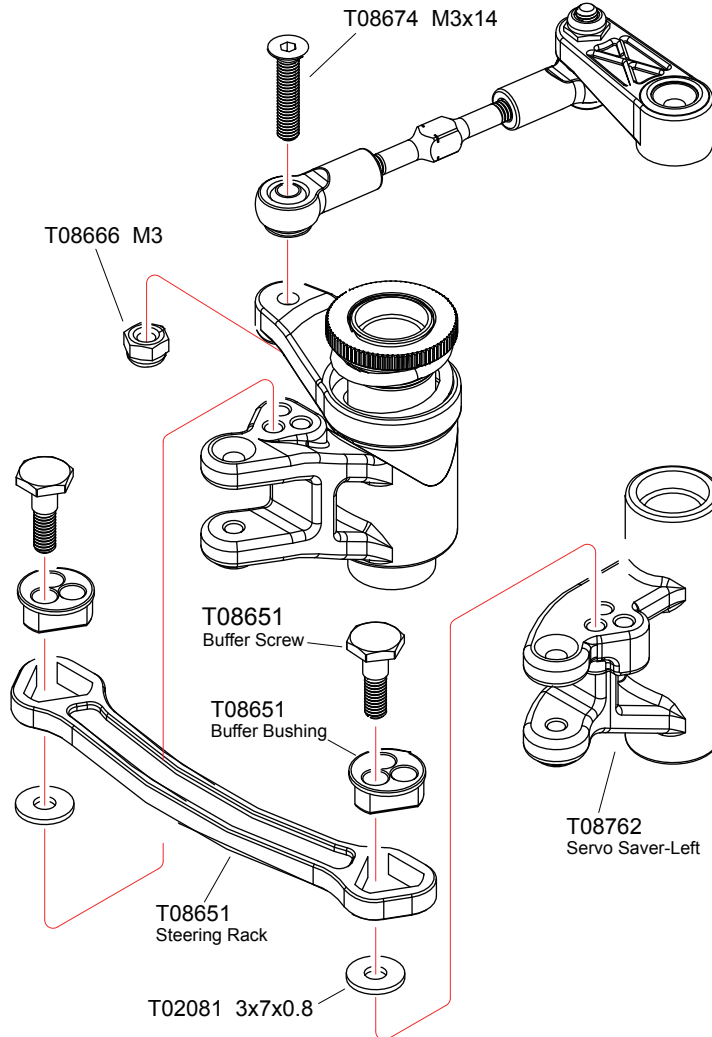
T02081 3x7x0.8 Washer



T08666 M3 Nylon Nut

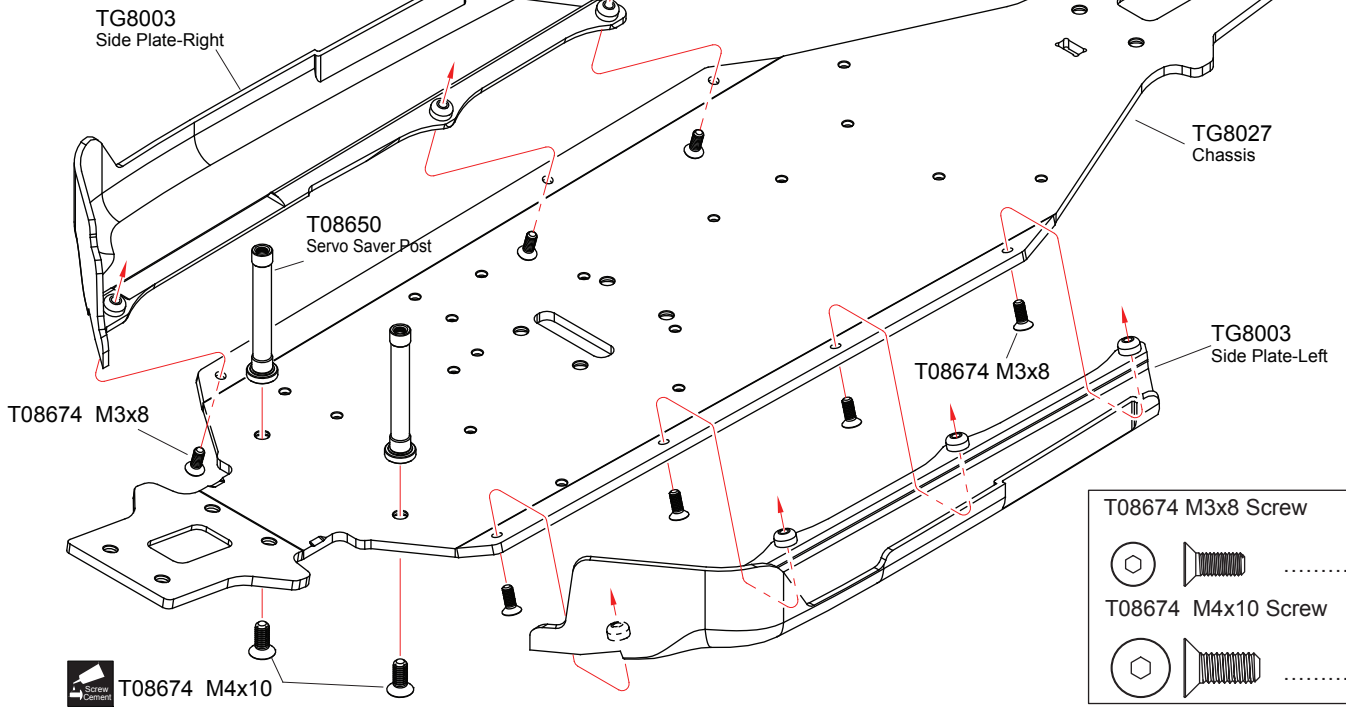


T08674 M3x14 Screw



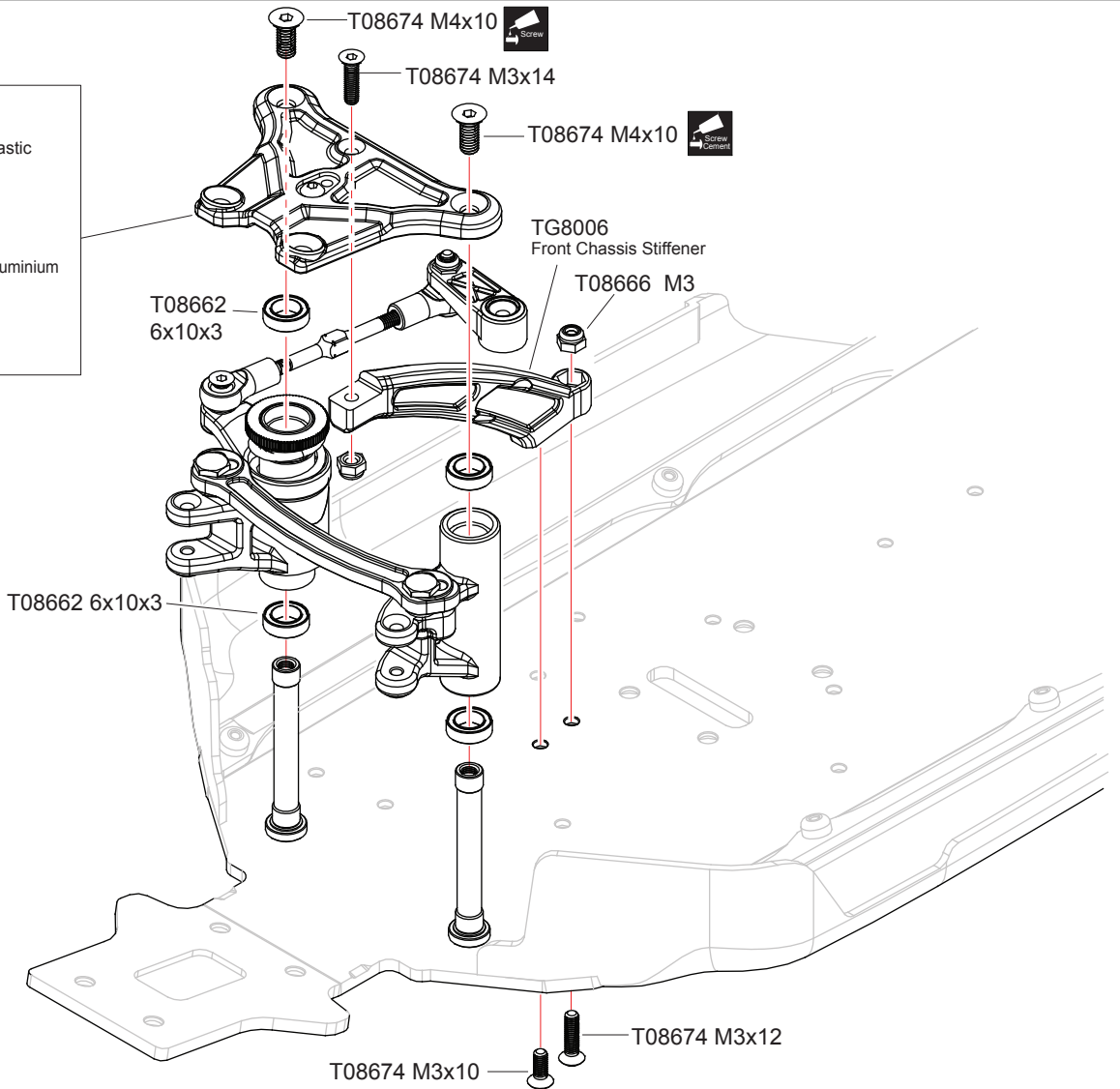
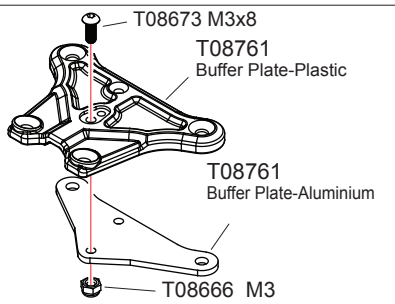
3 Servo Saver Post/Side Plate

Bag-A Bag-B



T08674 M3x8 Screw	7
T08674 M4x10 Screw	2

4 Buffer **Bag-A**

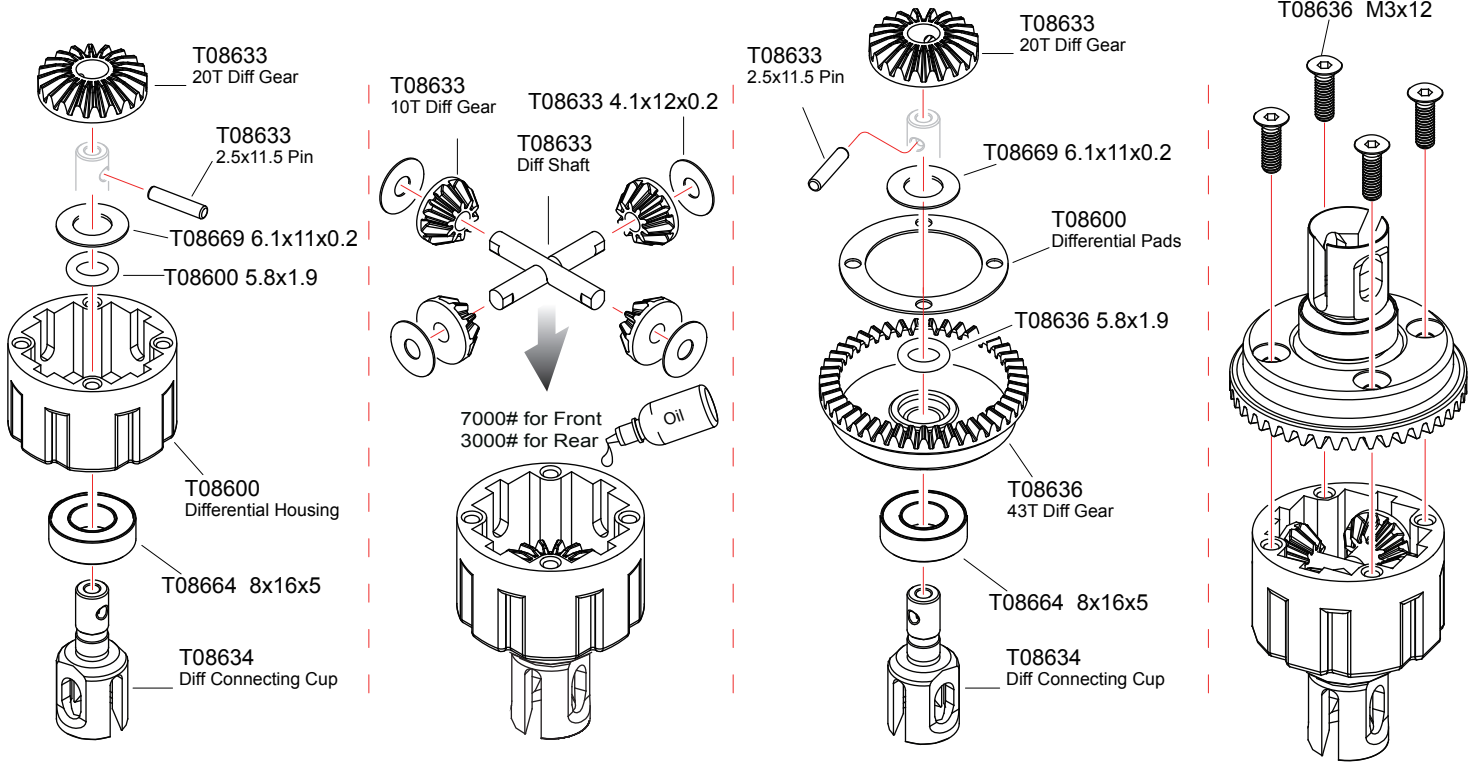


T08674 M3x8 Screw	1
T08674 M3x10 Screw	1
T08674 M3x12 Screw	1
T08674 M3x14 Screw	1
T08674 M4x10 Screw	2
T08662 6x10x3 Ball Bearing	4
T08666 M3 Nylon Nut	3

Apply threadlock

5 Front/Rear Differential

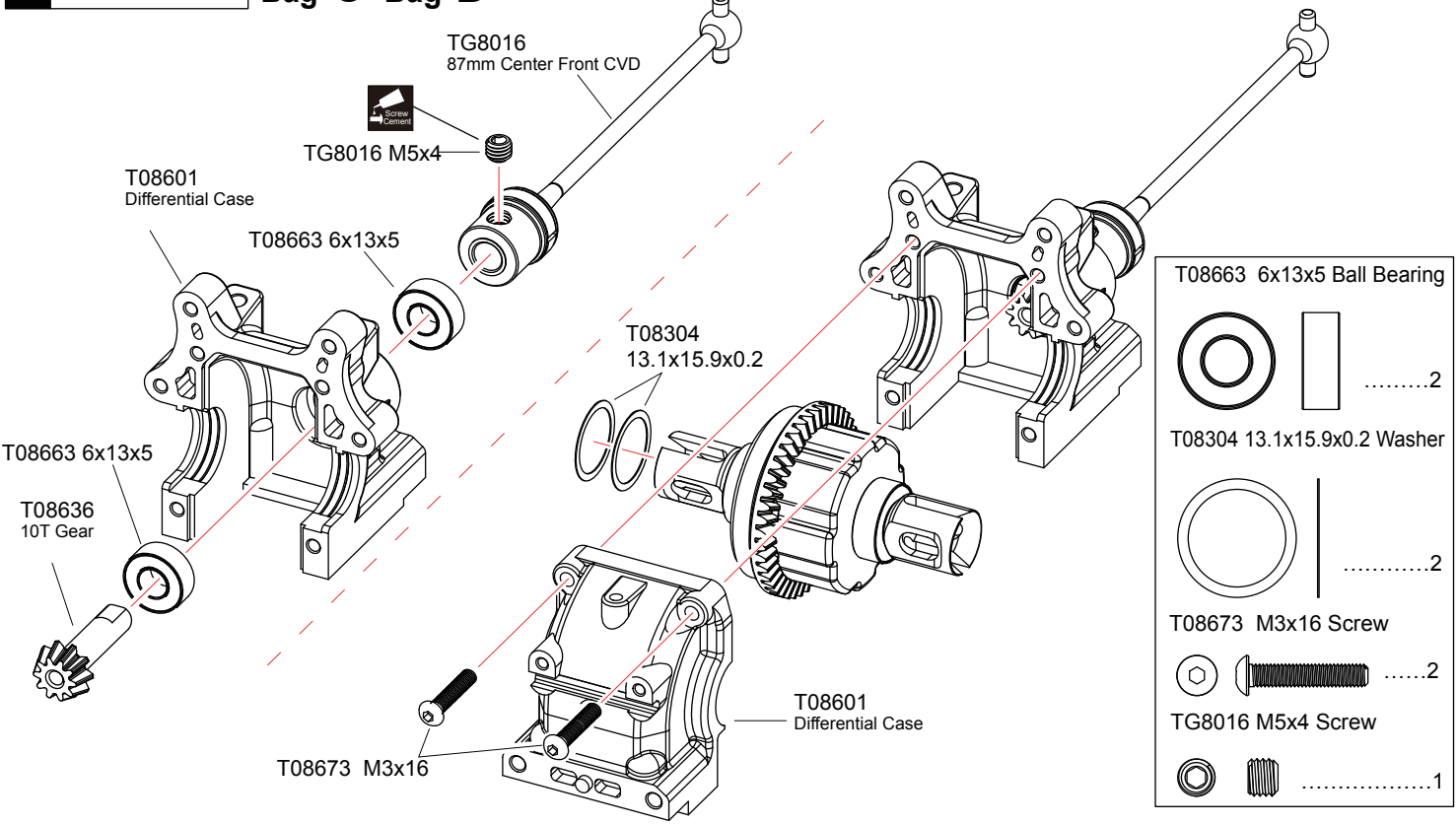
x2 Bag-C



T08600/T08636 5.8x1.9 O-Ring	T08633 4.1x12x0.2 Washer	T08669 6.1x11x0.2 Washer	T08664 8x16x5 Ball Bearing	T08636 M3x12 Screw
.....48448

6 Front Differential Case

Bag-C Bag-D



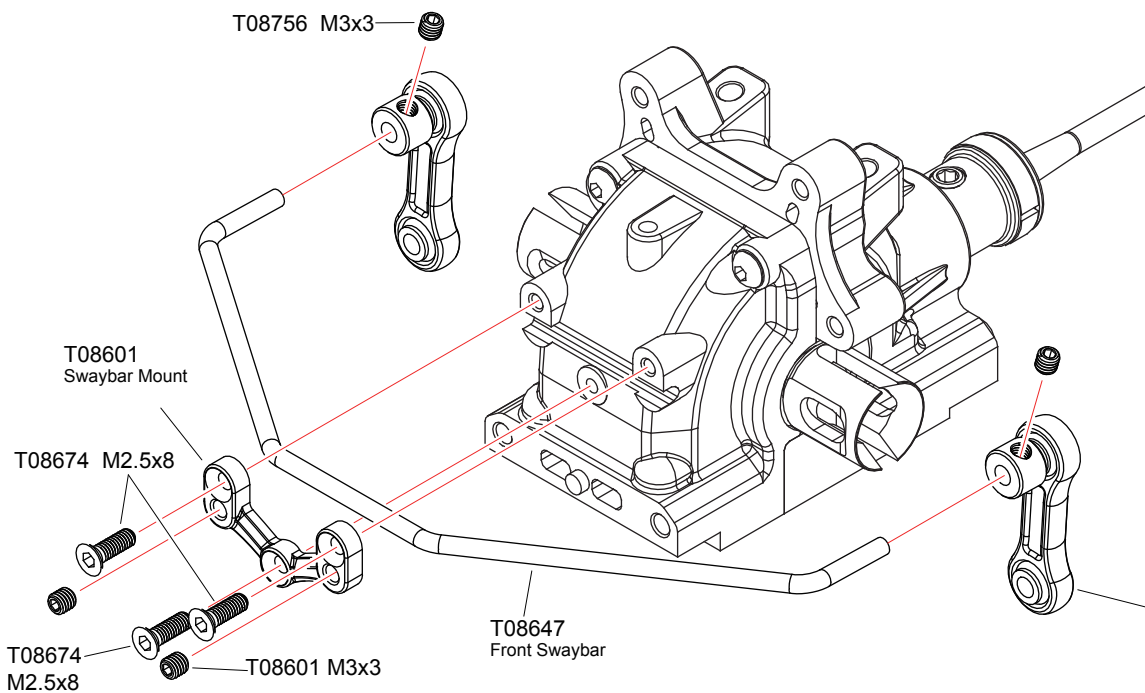
T08663 6x13x5 Ball Bearing	T08304 13.1x15.9x0.2 Washer	T08673 M3x16 Screw	TG8016 M5x4 Screw
.....2221

Apply threadlock

x2 Assemble as many times as specified

7 Front Swaybar

Bag-D



T08674 M2.5x8 Screw

.....3

T08601/T08756 M3x3 Screw

.....4

T08756 6.8 Ball stud

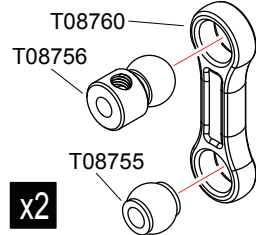
.....2

T08755 6.8 Ball stud

.....2

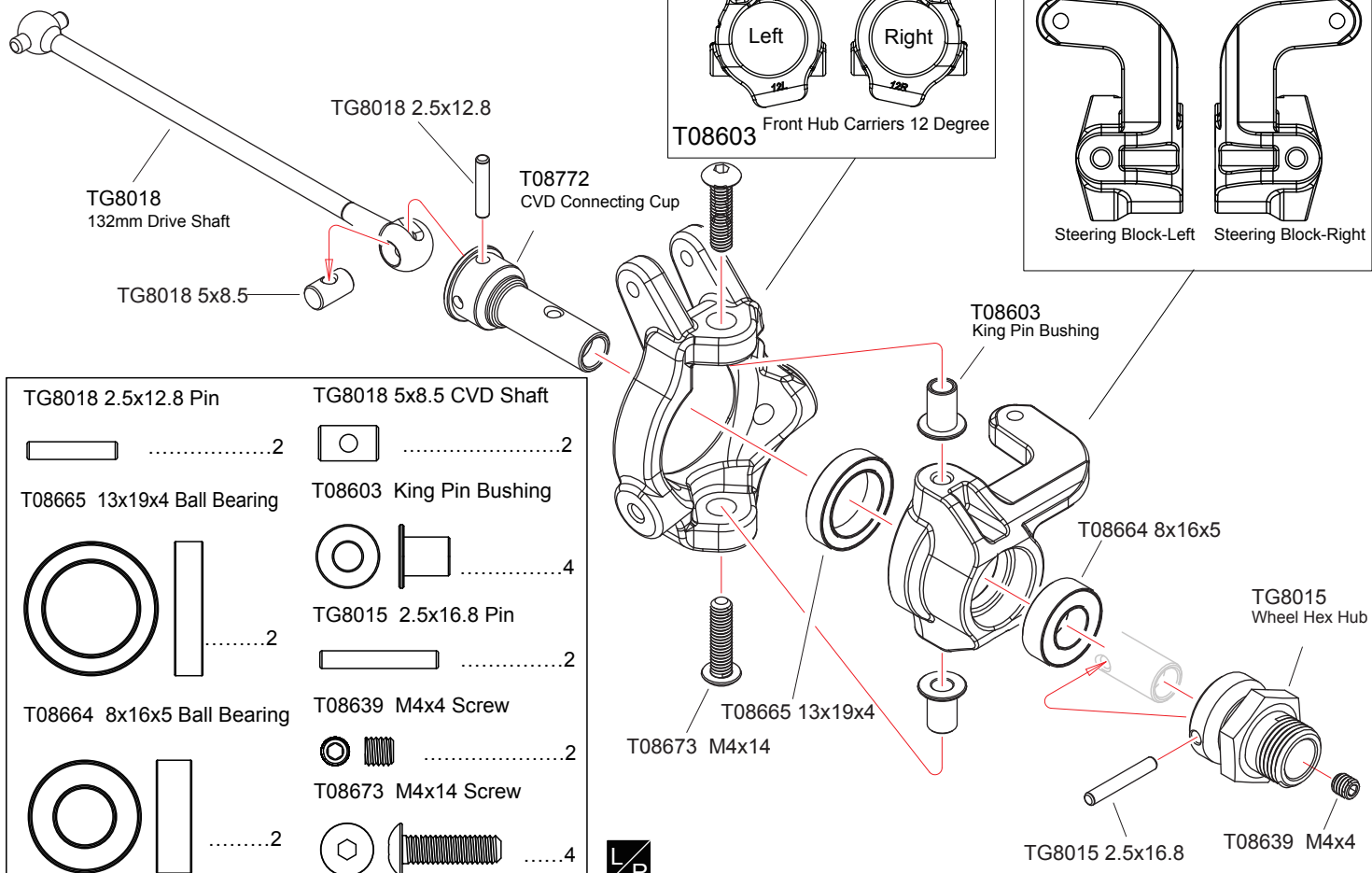
T08760 6.8 Ball End

.....2



8 Front Hub Carrie
前轮座

Bag-D



TG8018 2.5x12.8 Pin

.....2

TG8018 5x8.5 CVD Shaft

.....2

T08665 13x19x4 Ball Bearing

.....2

T08603 King Pin Bushing

.....4

TG8015 2.5x16.8 Pin

.....2

T08664 8x16x5 Ball Bearing

.....2

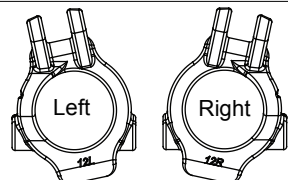
T08639 M4x4 Screw

.....2

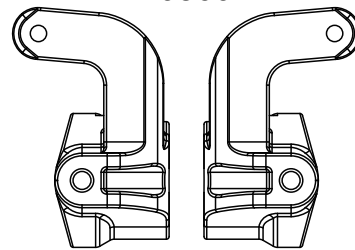
T08673 M4x14 Screw

.....4

T08603 Front Hub Carriers 12 Degree



T08604



Steering Block-Left Steering Block-Right

T08603 King Pin Bushing

T08664 8x16x5

TG8015 Wheel Hex Hub

T08673 M4x14

T08665 13x19x4

TG8015 2.5x16.8

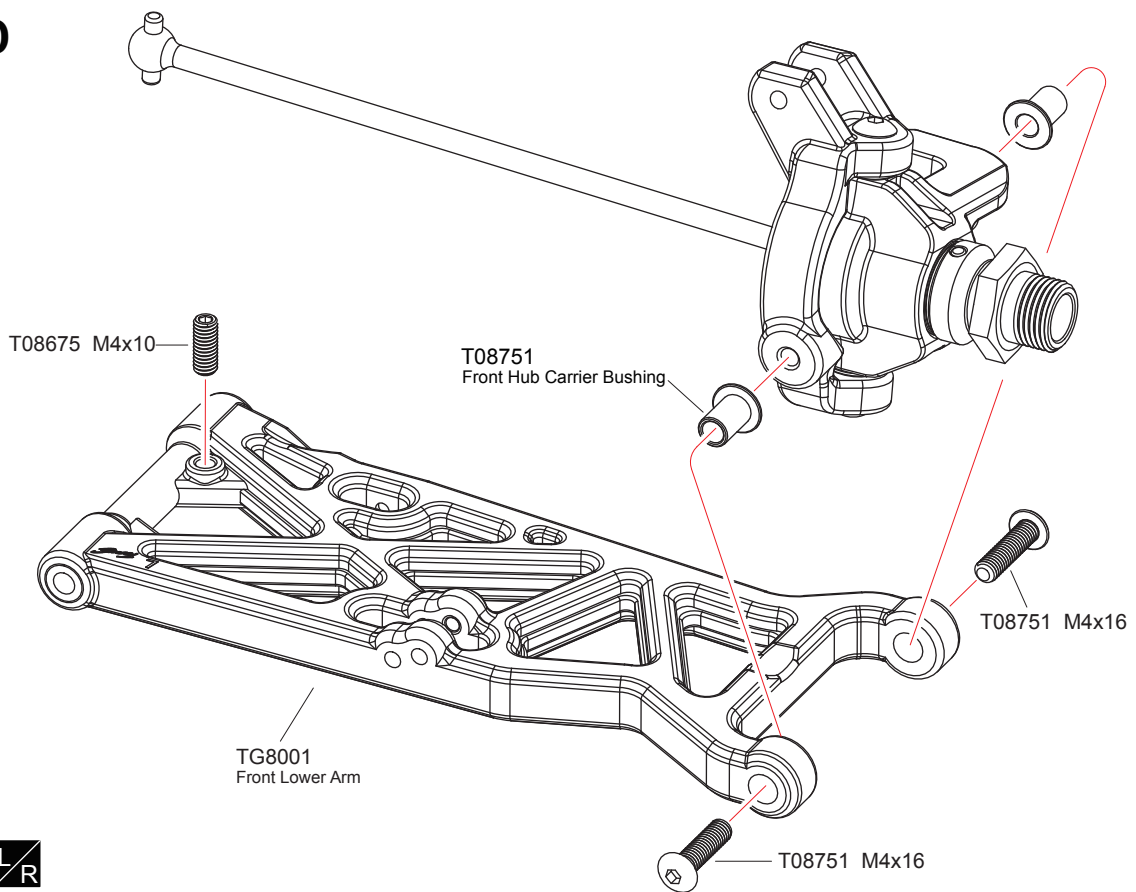
T08639 M4x4



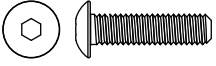
Assemble both Left and Right

Assemble as many times as specified

9 Front Hub Carri

Bag-D

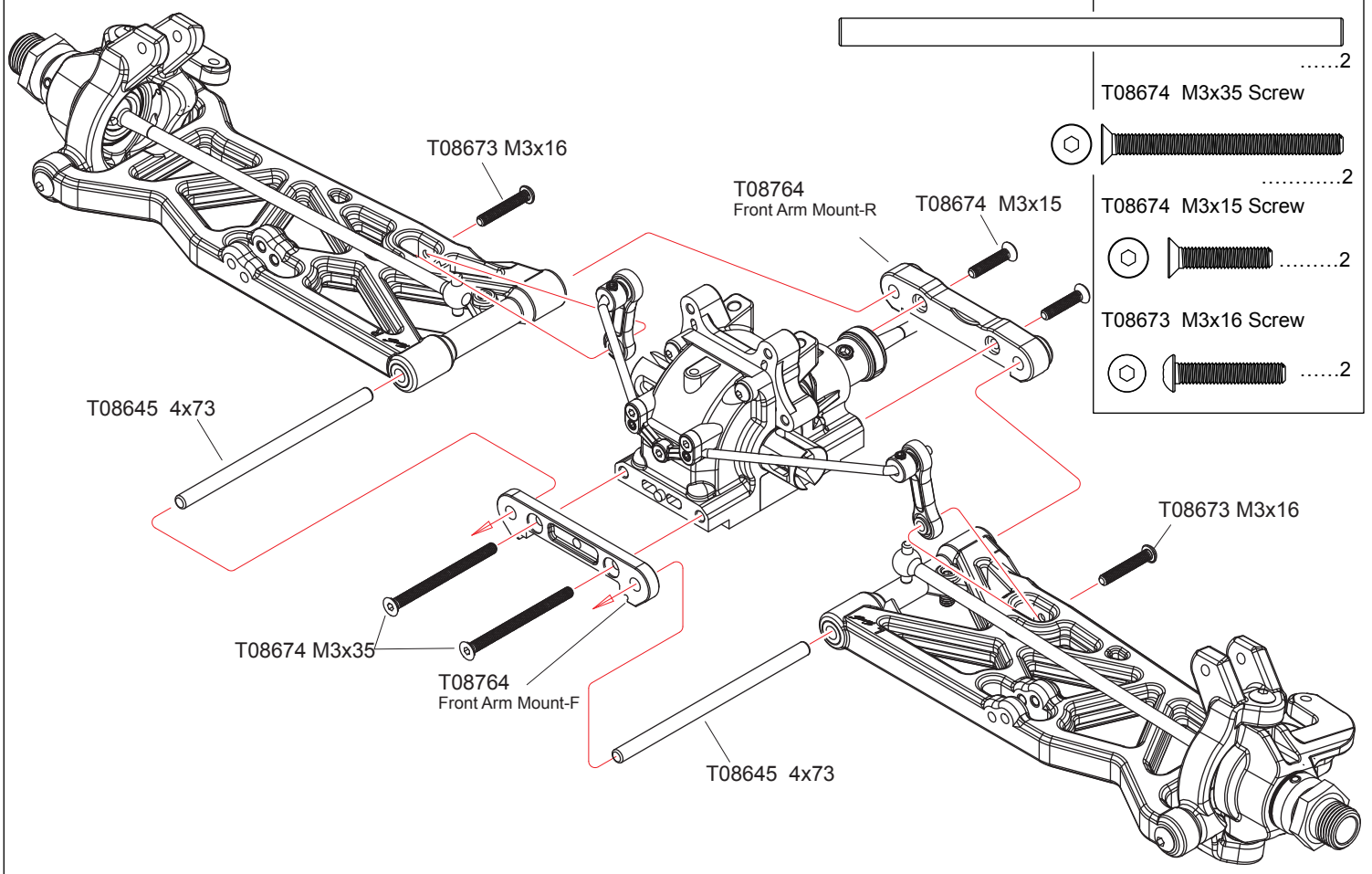


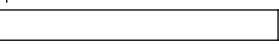



- T08675 M4x10 Screw
2
- T08751 Front Hub Carrier Bushing
4
- T08751 M4x16 Screw
4




10 Front Suspension

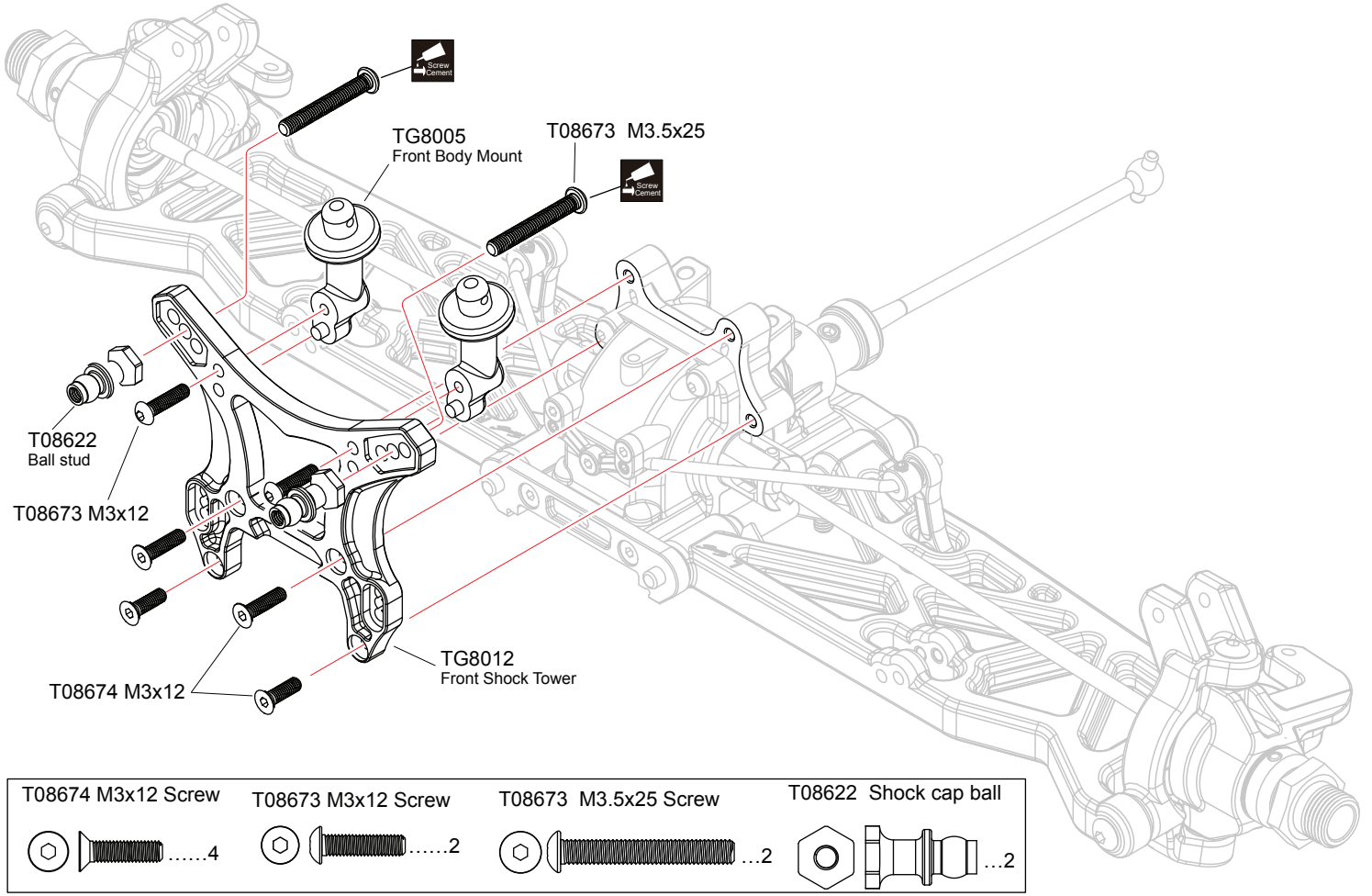
Bag-D




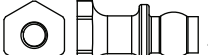


- T08645 4x73 Arm Pin
2
- T08674 M3x35 Screw
2
- T08674 M3x15 Screw
2
- T08673 M3x16 Screw
2

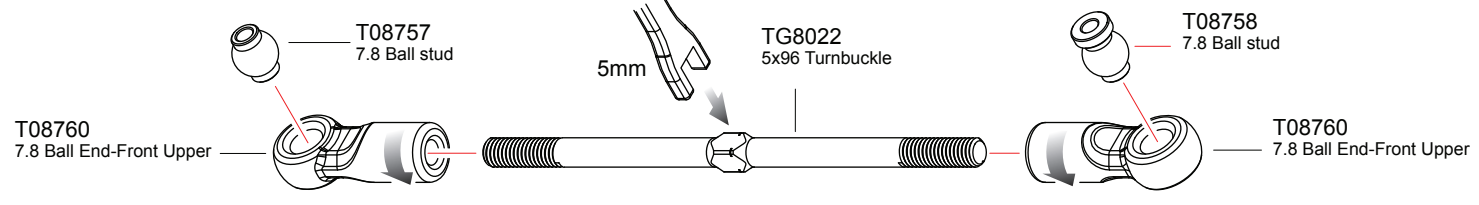
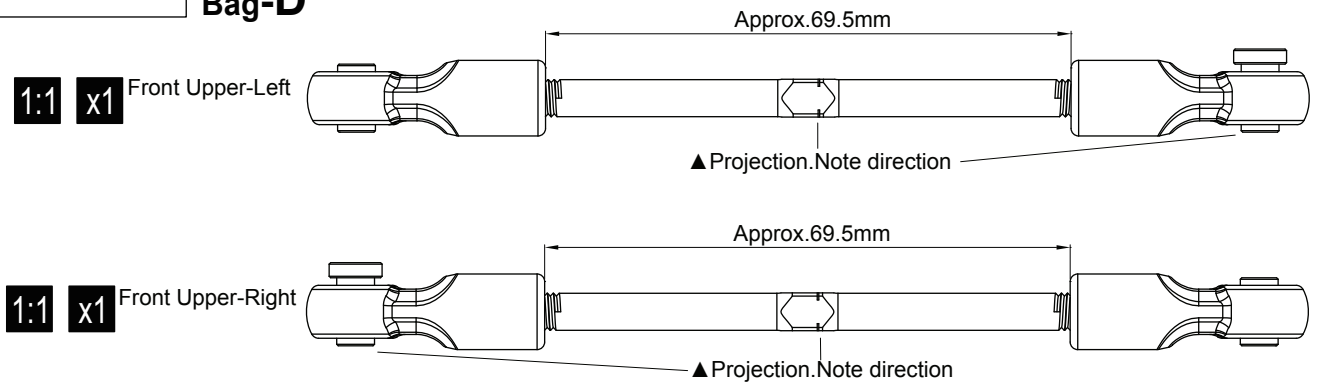
 Assemble both Left and Right

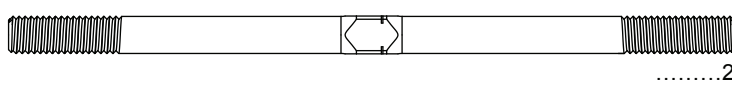

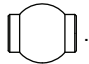

11 Front Shock Tower **Bag-D**



T08674 M3x12 Screw	T08673 M3x12 Screw	T08673 M3.5x25 Screw	T08622 Shock cap ball
4	2	 ...2	 ...2


12 Front Upper Turnbuckle **Bag-D**



TG8022 5x96 Turnbuckle	T08758 7.8 Ball stud	T08757 7.8 Ball stud	T08760 7.8 Ball End-Front Upper
2	2	2	4

1:1 True-to -scale diagram

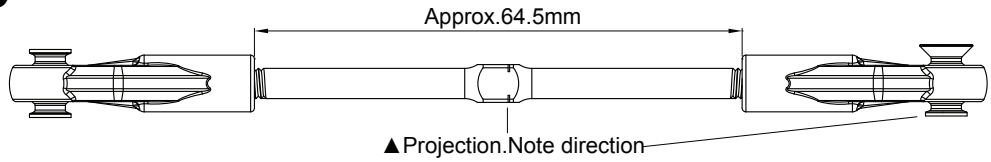
x1 Assemble as many times as specified

 Apply threadlock

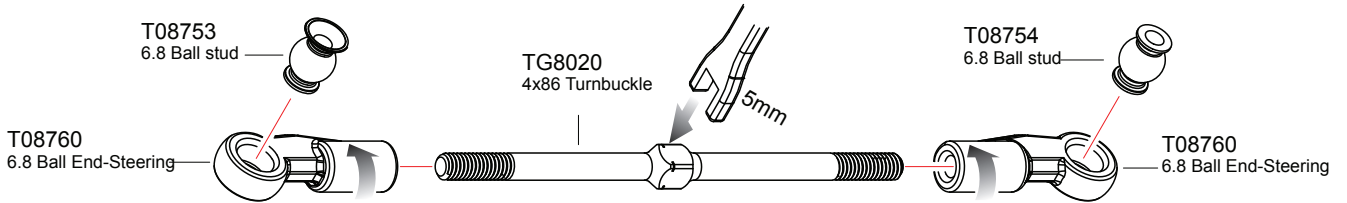
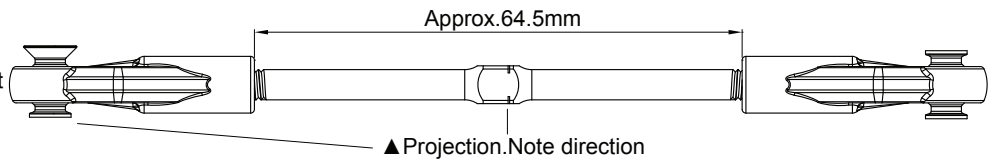
13 Steering Turnbuckle

Bag-D

1:1 **x1** Steering-Left



1:1 **x1** Steering-Right

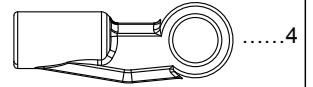
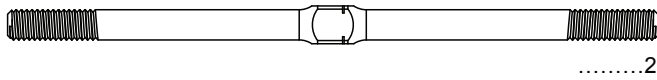


TG8020 4x86 Turnbuckle

T08753 6.8 Ball stud

T08754 6.8 Ball stud

T08760 6.8 Ball End-Steering



14 Front Upper/Steering Turnbuckle

Bag-D

Front Upper Turnbuckle-Right

T08674 M3x16

Steering Turnbuckle-Right

T08666 M3

Steering Turnbuckle-Left

T08666 M3

Front Upper Turnbuckle-Left

T08674 M3x16

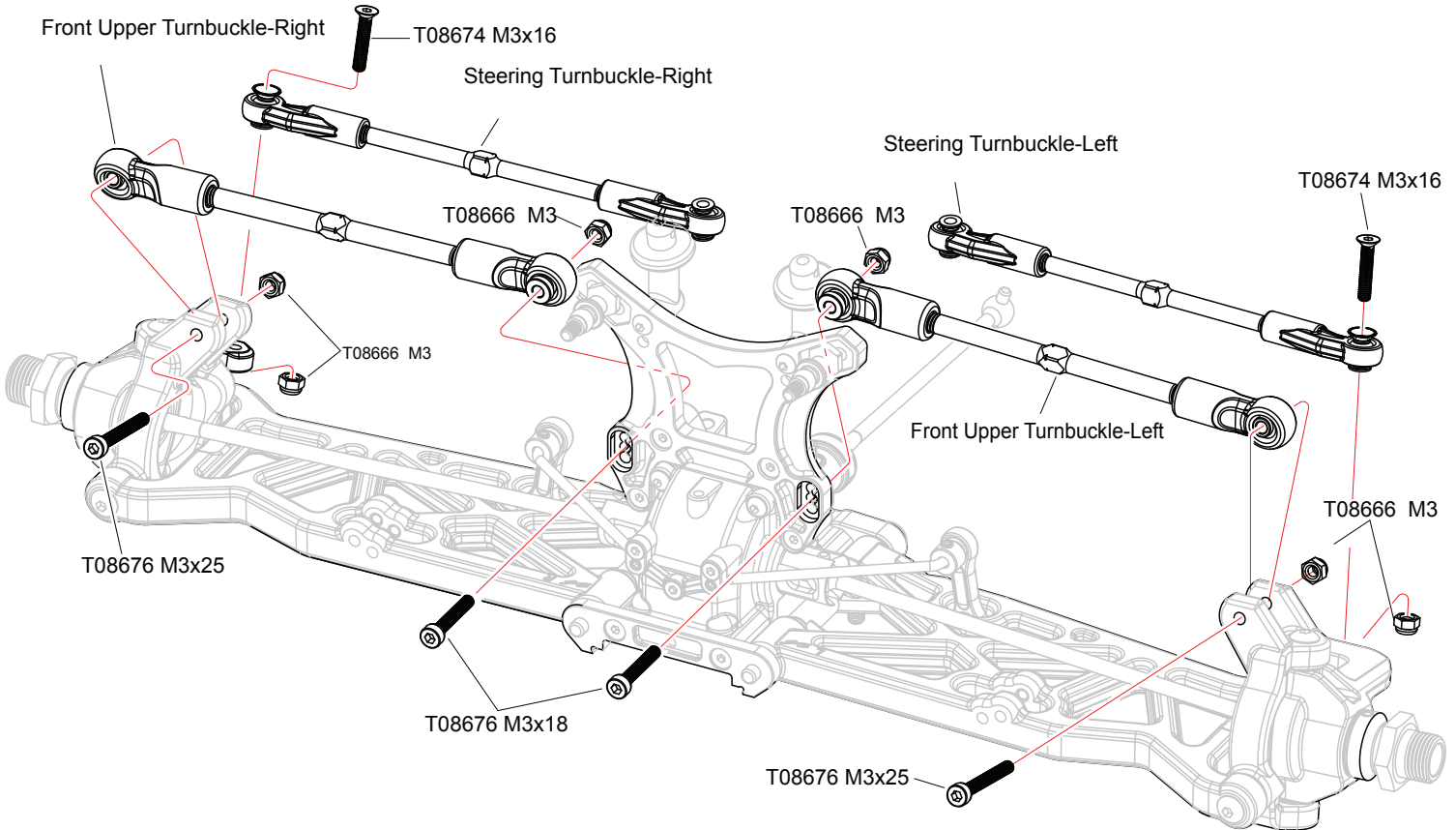
T08666 M3

T08666 M3

T08676 M3x25

T08676 M3x18

T08676 M3x25

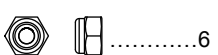


T08674 M3x16 Screw

T08666 M3 Nylon Nut

T08676 M3x25 Screw

T08676 M3x18 Screw

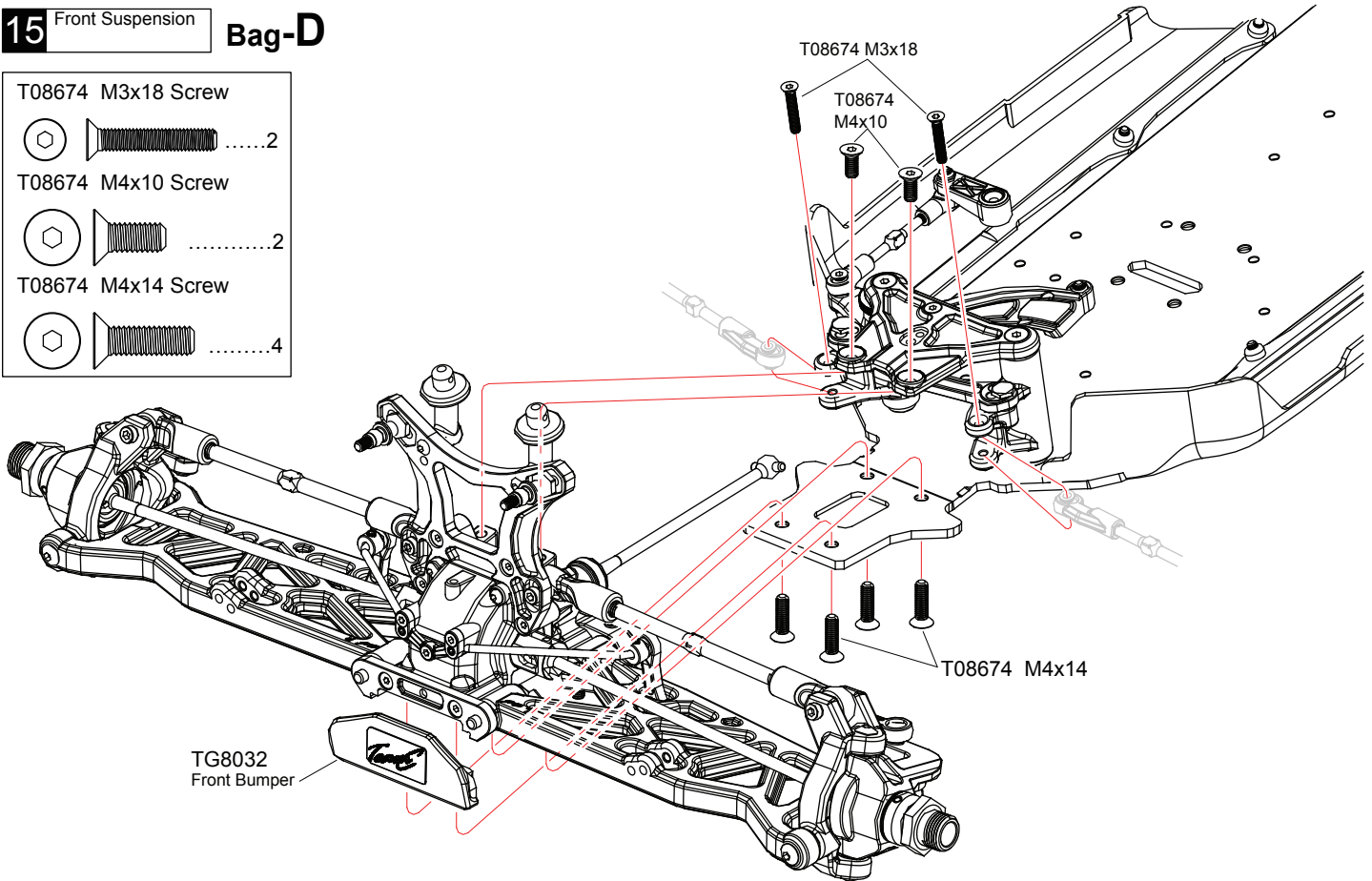


1:1 True - to - scale diagram

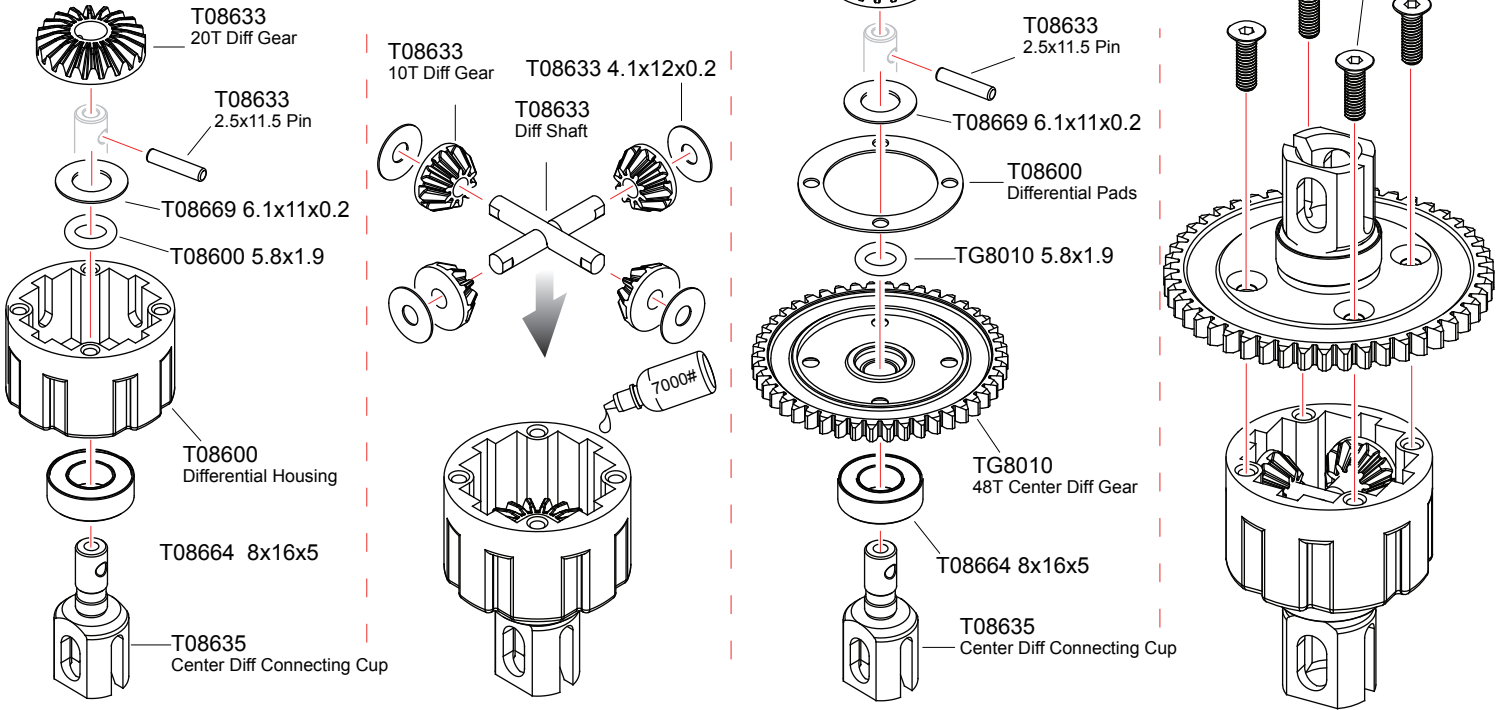
x1 Assemble as many times as specified

15 Front Suspension Bag-D

- T08674 M3x18 Screw2
- T08674 M4x10 Screw2
- T08674 M4x14 Screw4




16 Center Differential Bag-C




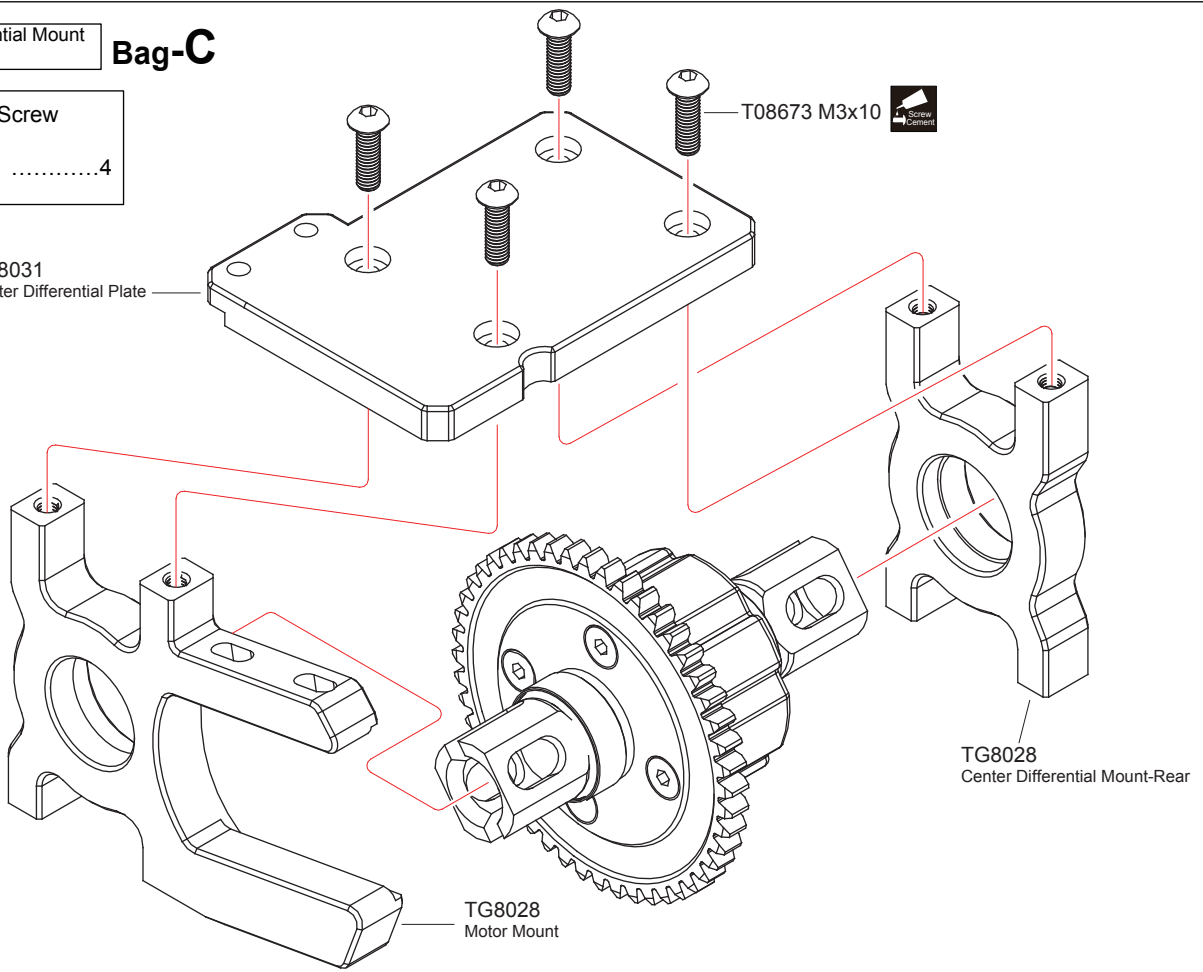
- T08600/TG8010 5.8x1.9 O-Ring2
- T08633 4.1x12x0.2 Washer4
- T08669 6.1x11x0.2 Washer2
- T08664 8x16x5 Ball Bearing2
- TG8010 M3x12 Screw4

17 Center Differential Mount **Bag-C**





- T08673 M3x10 Screw
4

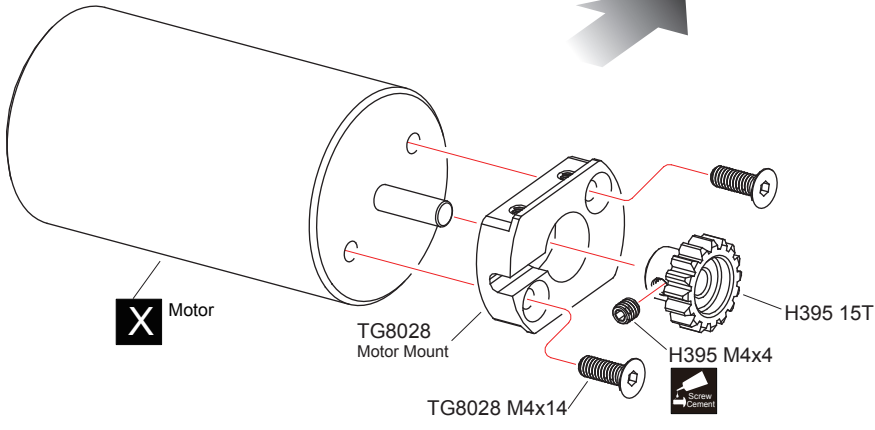
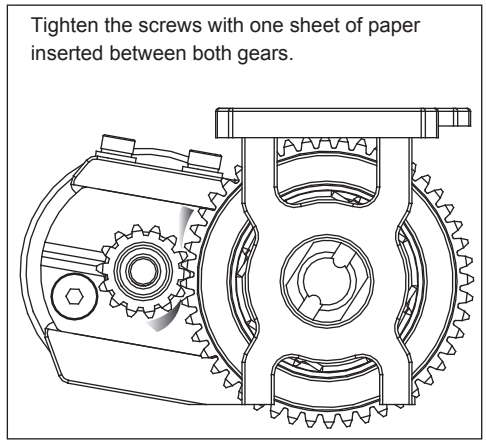
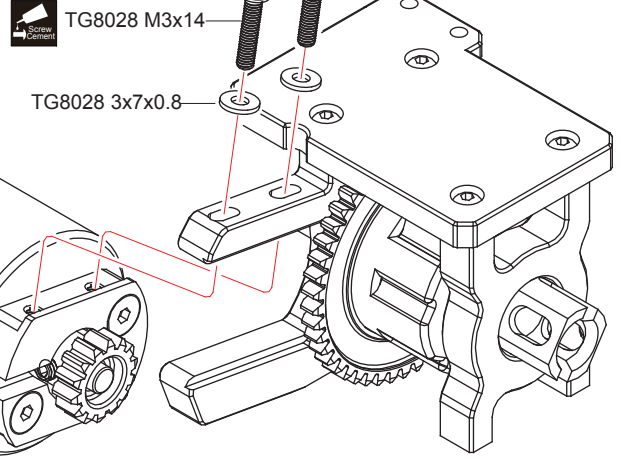
TG8031
Center Differential Plate


T08673 M3x10 




18 Motor **Bag-C**

- TG8028 M3x14 Screw
2
- TG8028 M4x14 Screw
2
- TG8028 3x7x0.8 Washer
2
- H395 M4x4 Screw
1

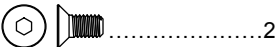


 Apply threadlock

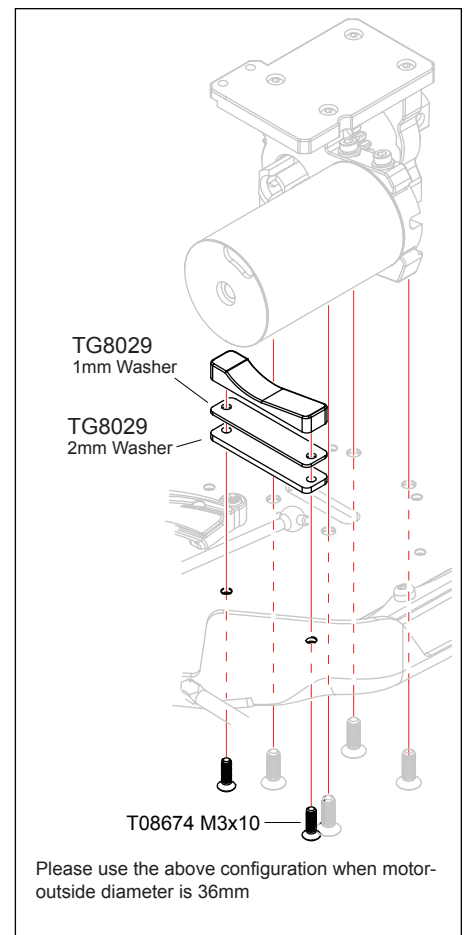
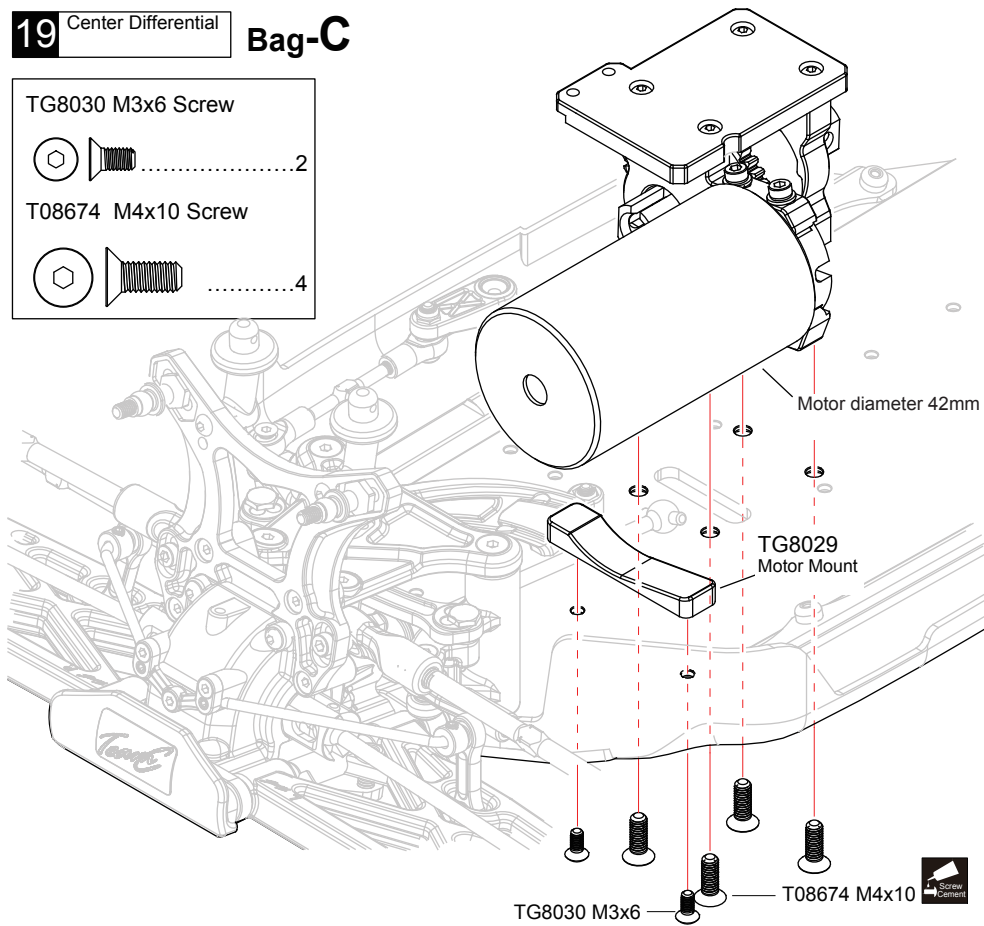
 Must be purchased separately

19 Center Differential **Bag-C**

TG8030 M3x6 Screw



T08674 M4x10 Screw



20 Rear Differential Case **Bag-C Bag-E**

TG8017 132mm Center Rear CVD

TG8017 M5x4

T08601 Differential Case

T08663 6x13x5

T08663 6x13x5

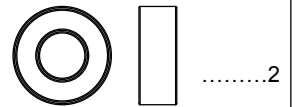
T08636 10T Gear

T08304 13.1x15.9x0.2

T08601 Differential Case

T08673 M3x16

T08663 6x13x5 Ball Bearing



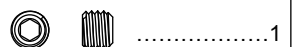
T08304 13.1x15.9x0.2 Washer



T08673 M3x16 Screw



TG8017 M5x4 Screw



Apply threadlock

21 Rear Swaybar Bag-E

T08601/T08756 M3x3 Screw

.....2

T08601 M2.5x8 Screw

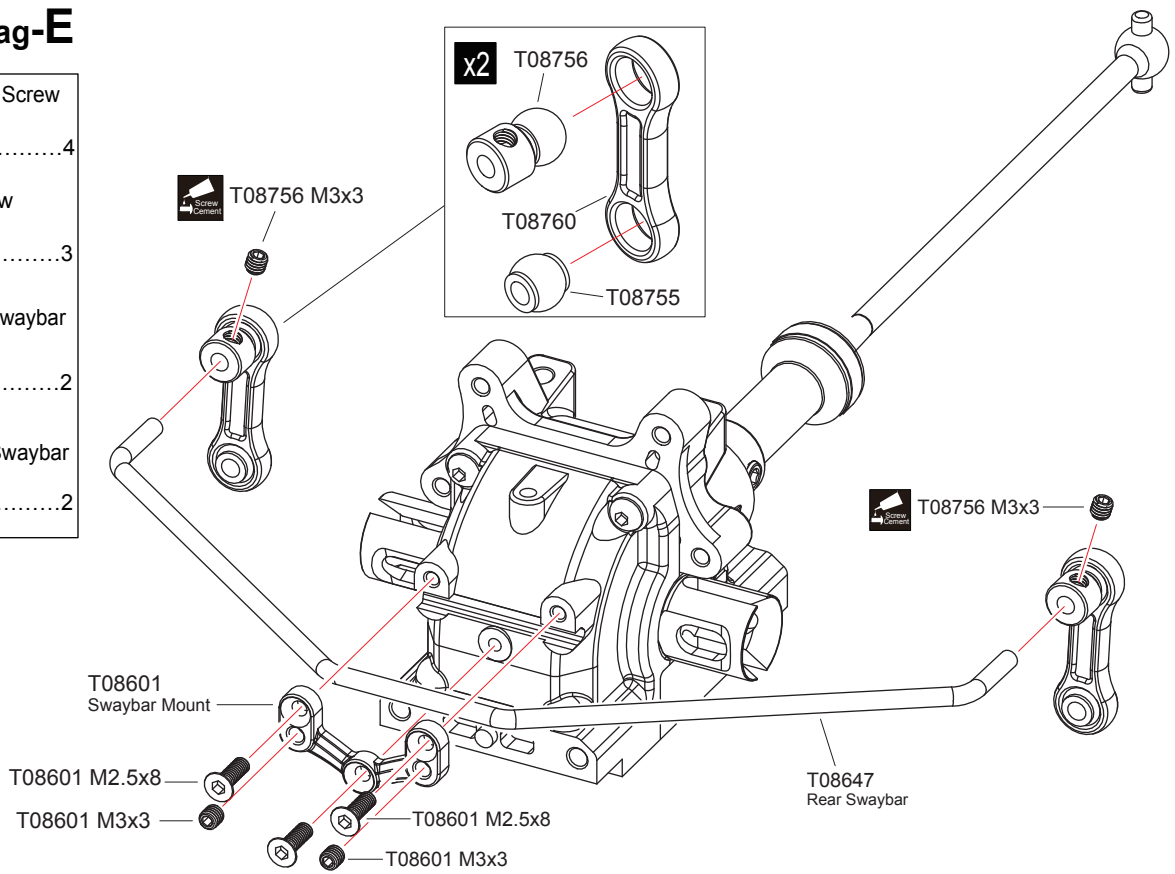
.....3

T08756 6.8 Ball stud-Swaybar

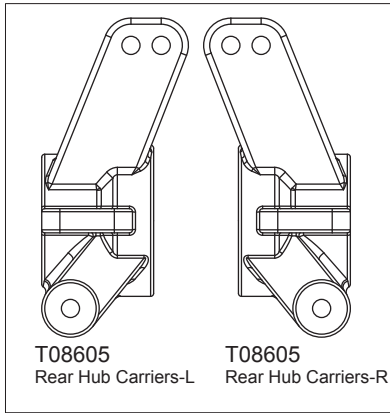
.....2

T08755 6.8 Ball stud-Swaybar

.....2



22 Rear Hub Carrier Bag-E



TG8018 132mm Drive Shaft

TG8018 5x8.5

TG8018 2.5x12.8 Pin

.....2

TG8018 5x8.5 CVD Shaft

.....2

T08665 13x19x4 Ball Bearing

.....2

T08664 8x16x5 Ball Bearing

.....2

TG8015 2.5x16.8 Pin

.....2

84001 M4x4 Screw

.....2

84001 M4x4

TG8015 2.5x16.8

T08664 8x16x5

TG8015 Wheel Hex Hub

T08665 13x19x4

T08772 CVD Connecting Cup CVD接杯

TG8018 2.5x12.8

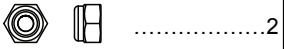
Apply threadlock

LR Assemble both Left and Right

x2 Assemble as many times as specified

23 Rear Hub Carrie **Bag-E**

T08666 M3 Nylon Nut



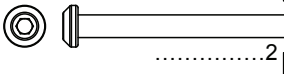
T08675 M4x10 Screw



T08605 3.1x9x2.5 Plastic Washer



T08646 3x51.5 Arm Pin



T08605 3.1x9x2.5

T08675 M4x10

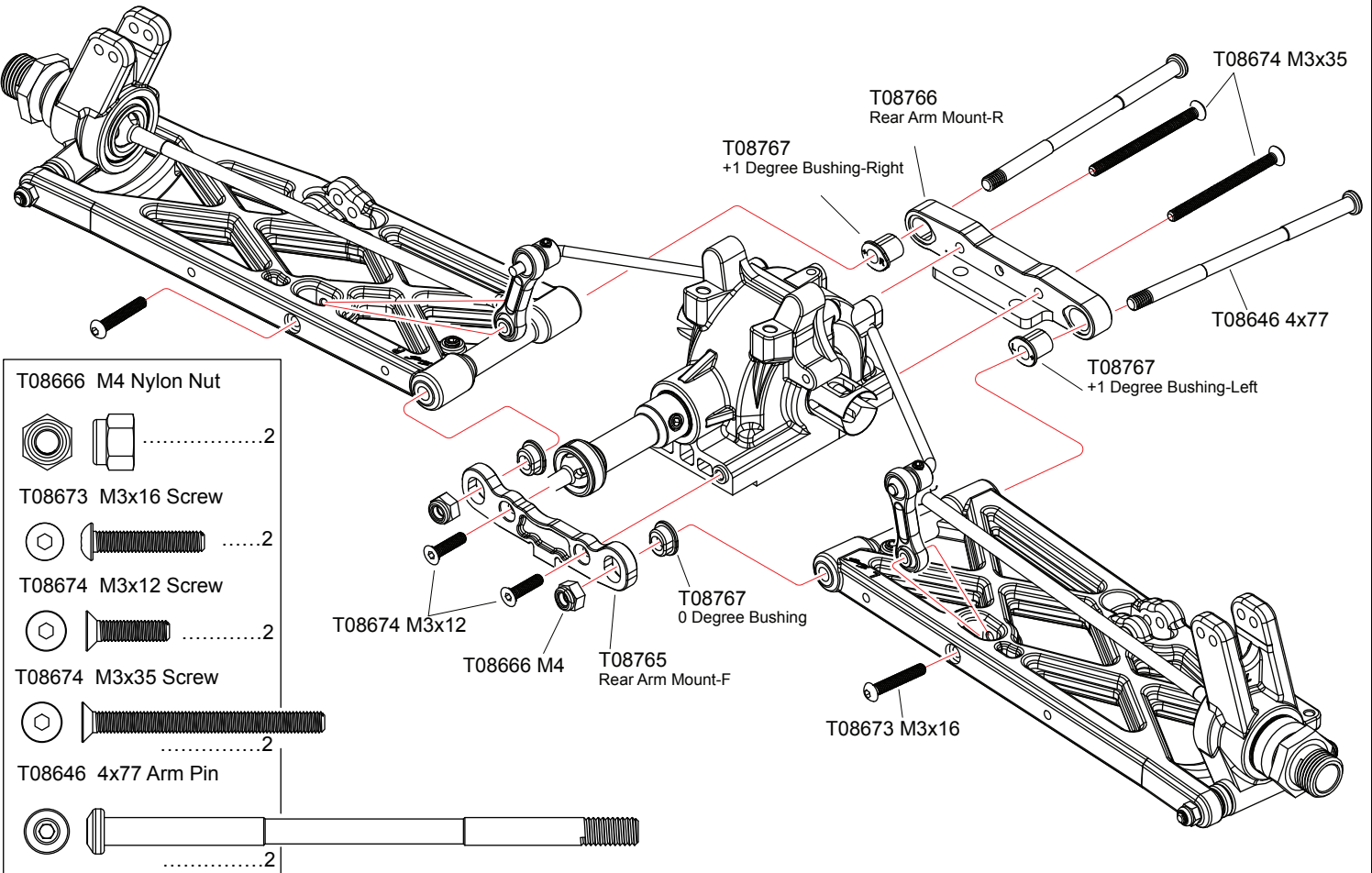
T08666 M3

TG8002
Rear Lower Arm-Left

T08646 3x51.5

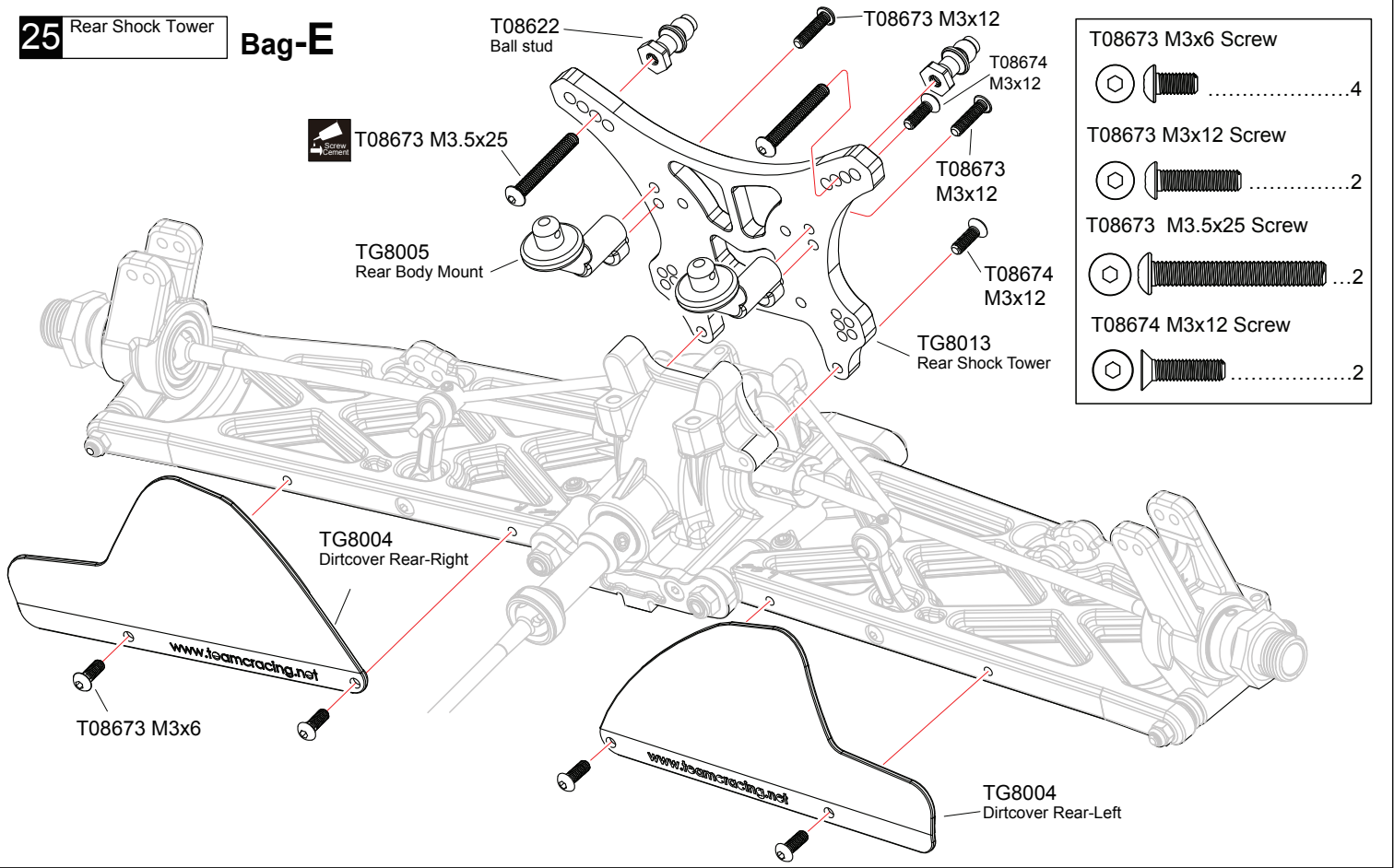


24 Rear Suspension **Bag-E**

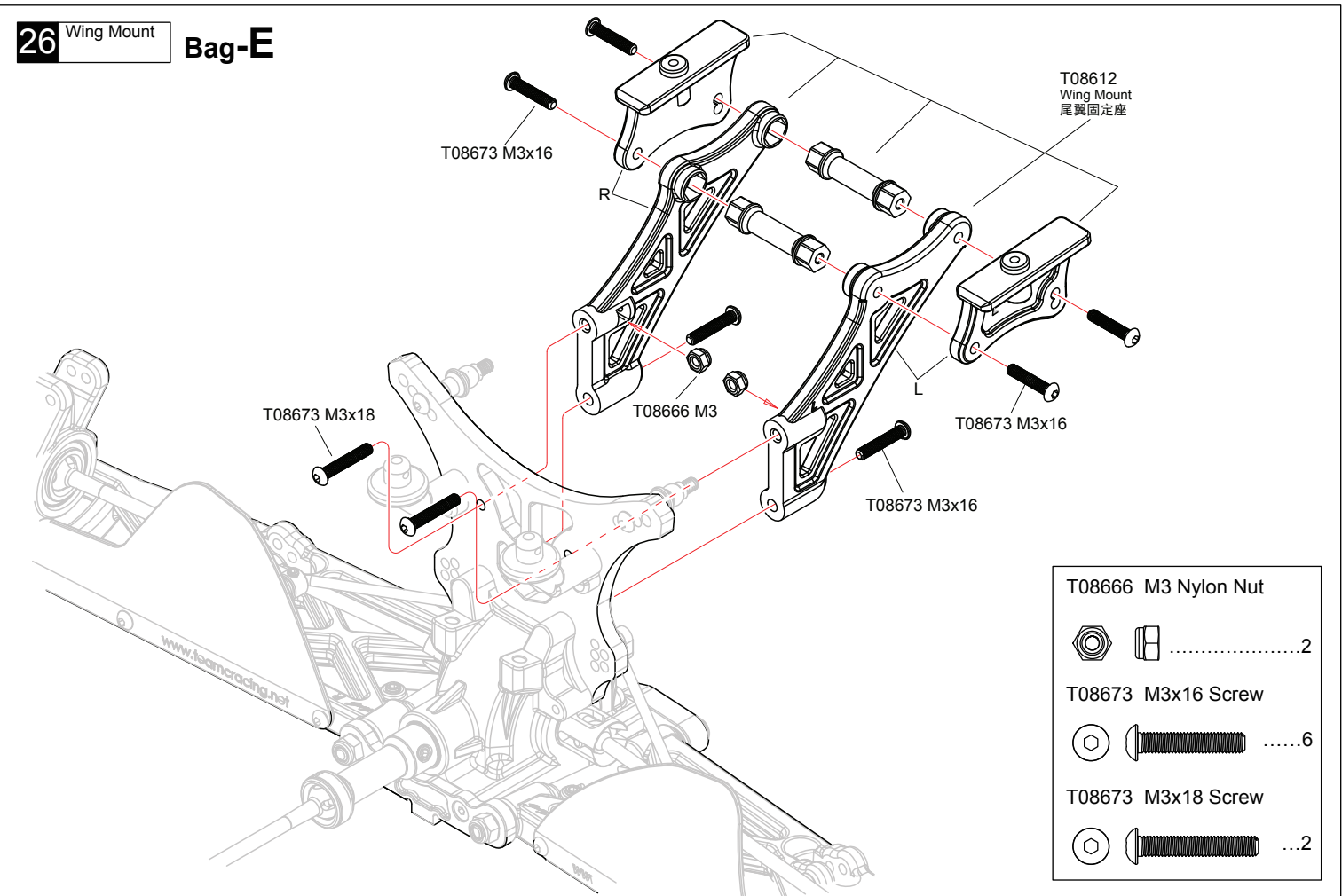


LR Assemble both Left and Right

25 Rear Shock Tower **Bag-E**



26 Wing Mount **Bag-E**

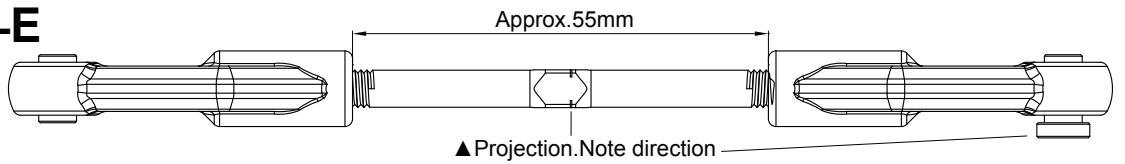


27 Rear Upper Turnbuckle

Bag-E

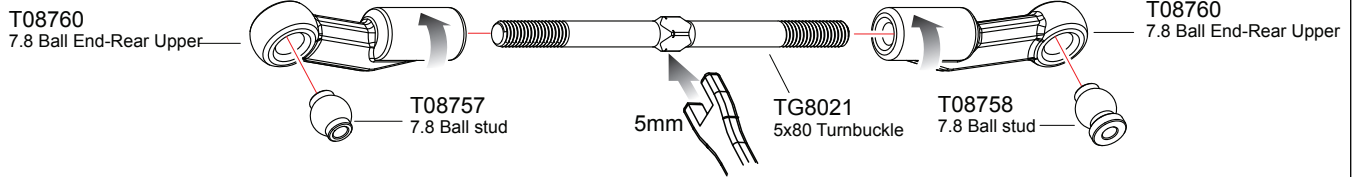
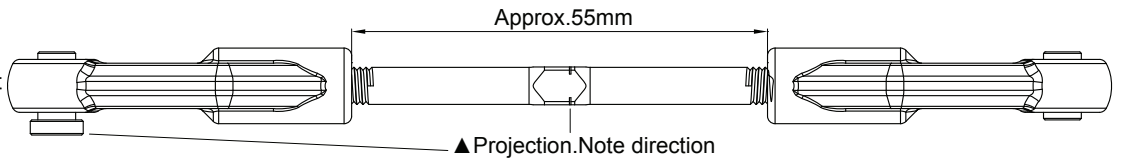
1:1 **x1**

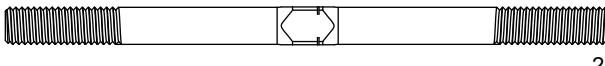
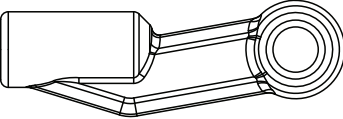
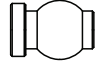
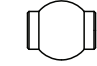
Rear Upper-Left



1:1 **x1**

Rear Upper-Right



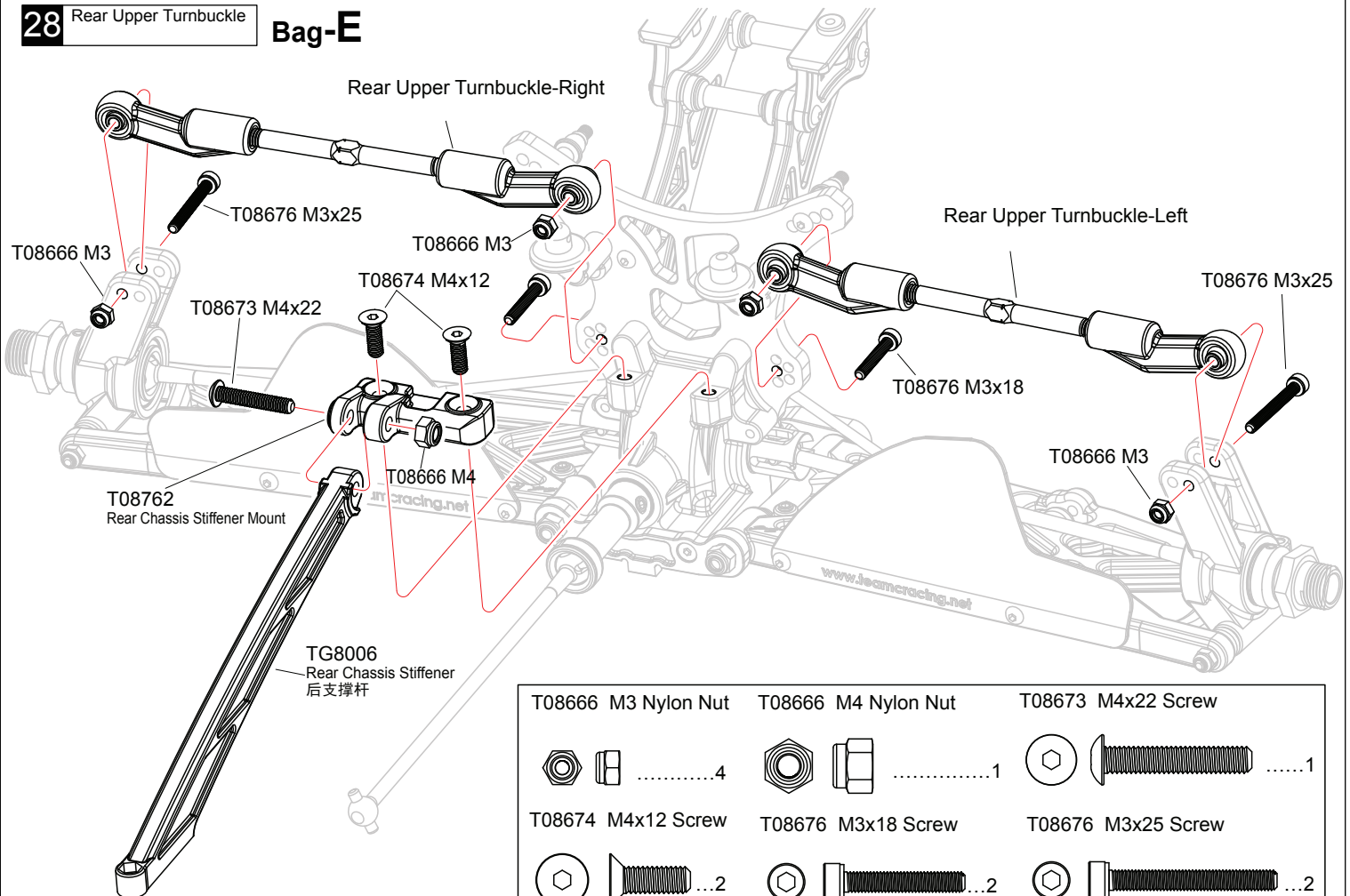
TG8021 5x80 Turnbuckle	T08760 7.8 Ball End-Rear Upper	T08758 7.8 Ball stud	T08757 7.8 Ball stud
			
.....2422







28 Rear Upper Turnbuckle

Bag-E

Rear Upper Turnbuckle-Right

Rear Upper Turnbuckle-Left

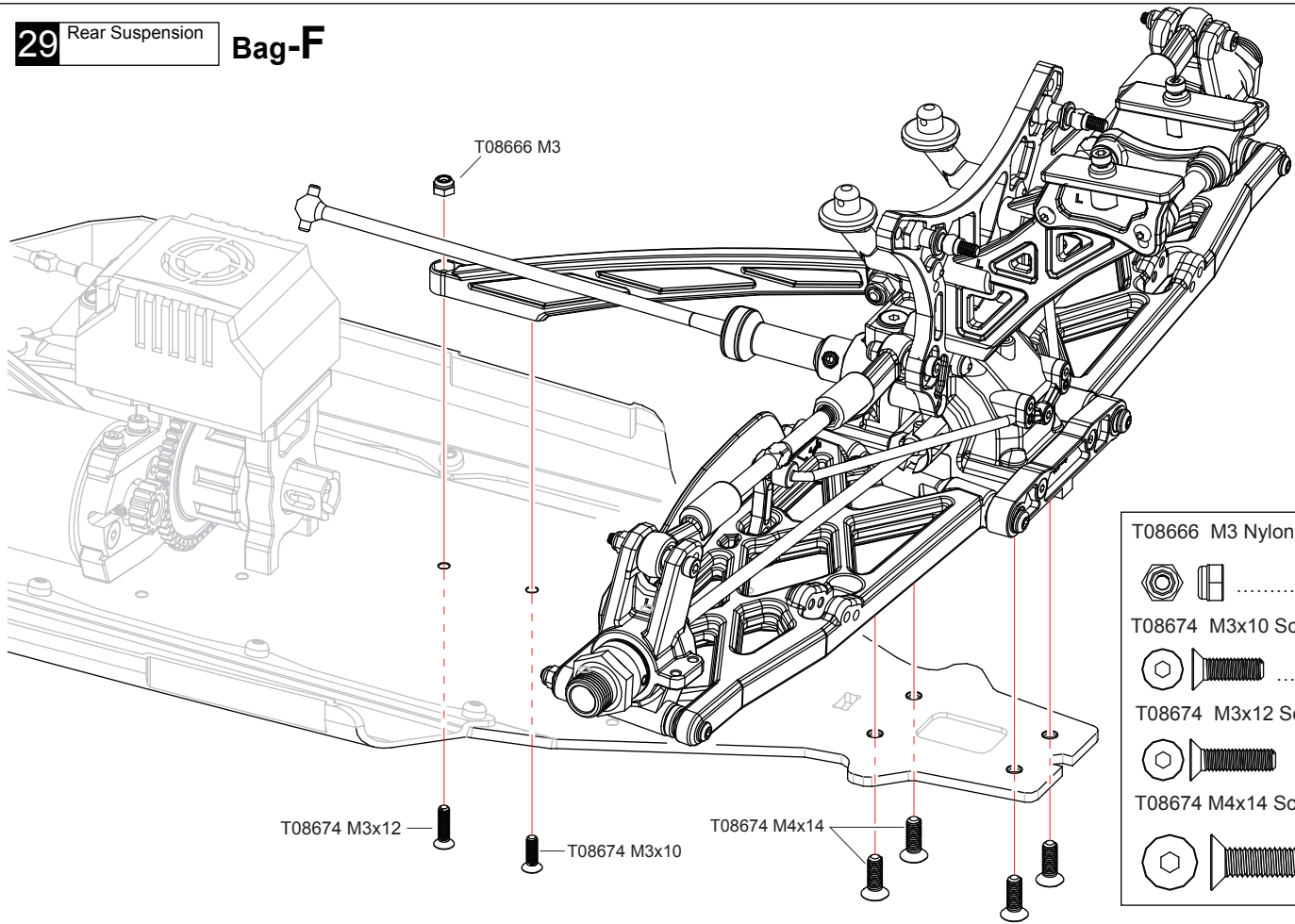


T08666 M3 Nylon Nut	T08666 M4 Nylon Nut	T08673 M4x22 Screw
		
.....411
T08674 M4x12 Screw	T08676 M3x18 Screw	T08676 M3x25 Screw
		
.....222

1:1 True-to -scale diagram

x1 Assemble as many times as specified

29 Rear Suspension **Bag-F**

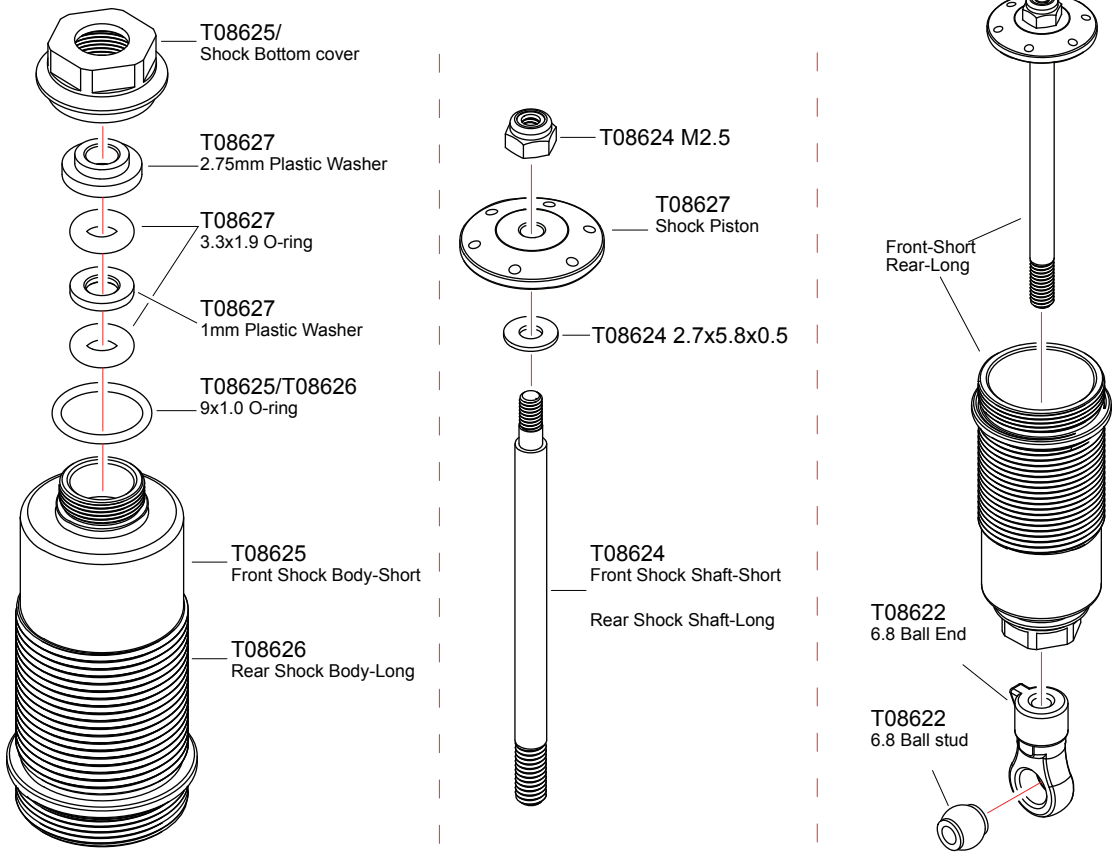


T08666 M3 Nylon Nut	1
T08674 M3x10 Screw	1
T08674 M3x12 Screw	1
T08674 M4x14 Screw	4

30 Shock **Bag-F**

FR **x2**

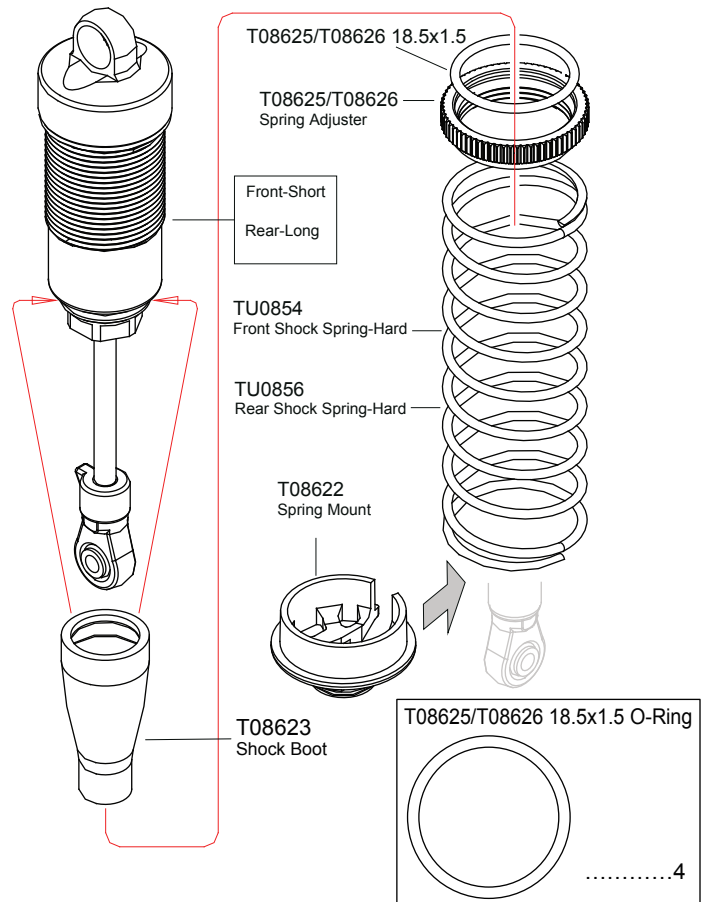
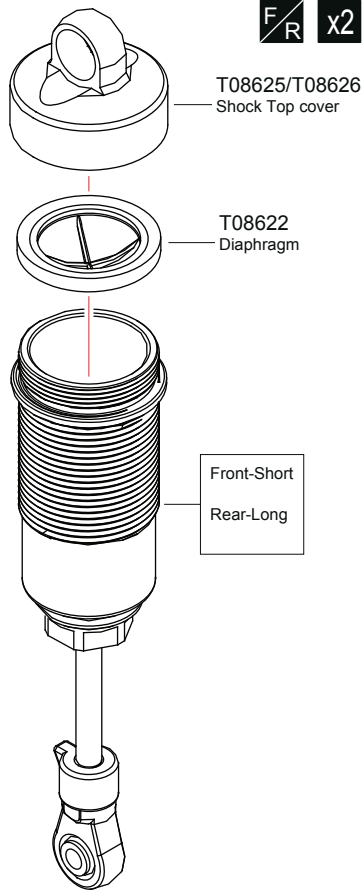
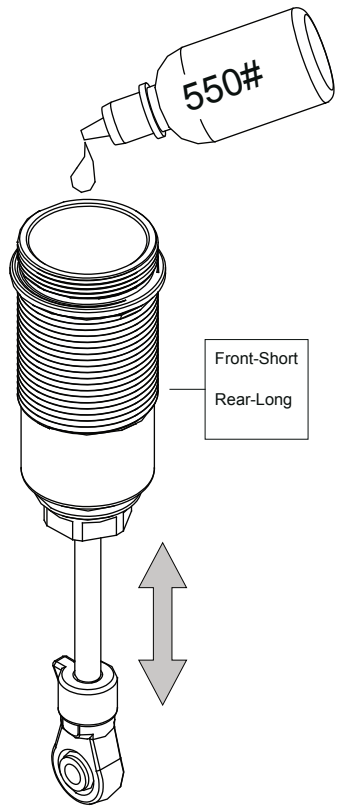
T08627 2.75mm Plastic Washer	4
T08627 1mm Plastic Washer	4
T08627 3.3x1.9 O-ring	8
T08625/T08626 9x1.0 O-ring	4
T08624 2.7x5.8x0.5 Washer	4
T08624 M2.5 Nylon Nut	4
T08622 6.8 Ball stud	4
T08622 6.8 Ball End	4



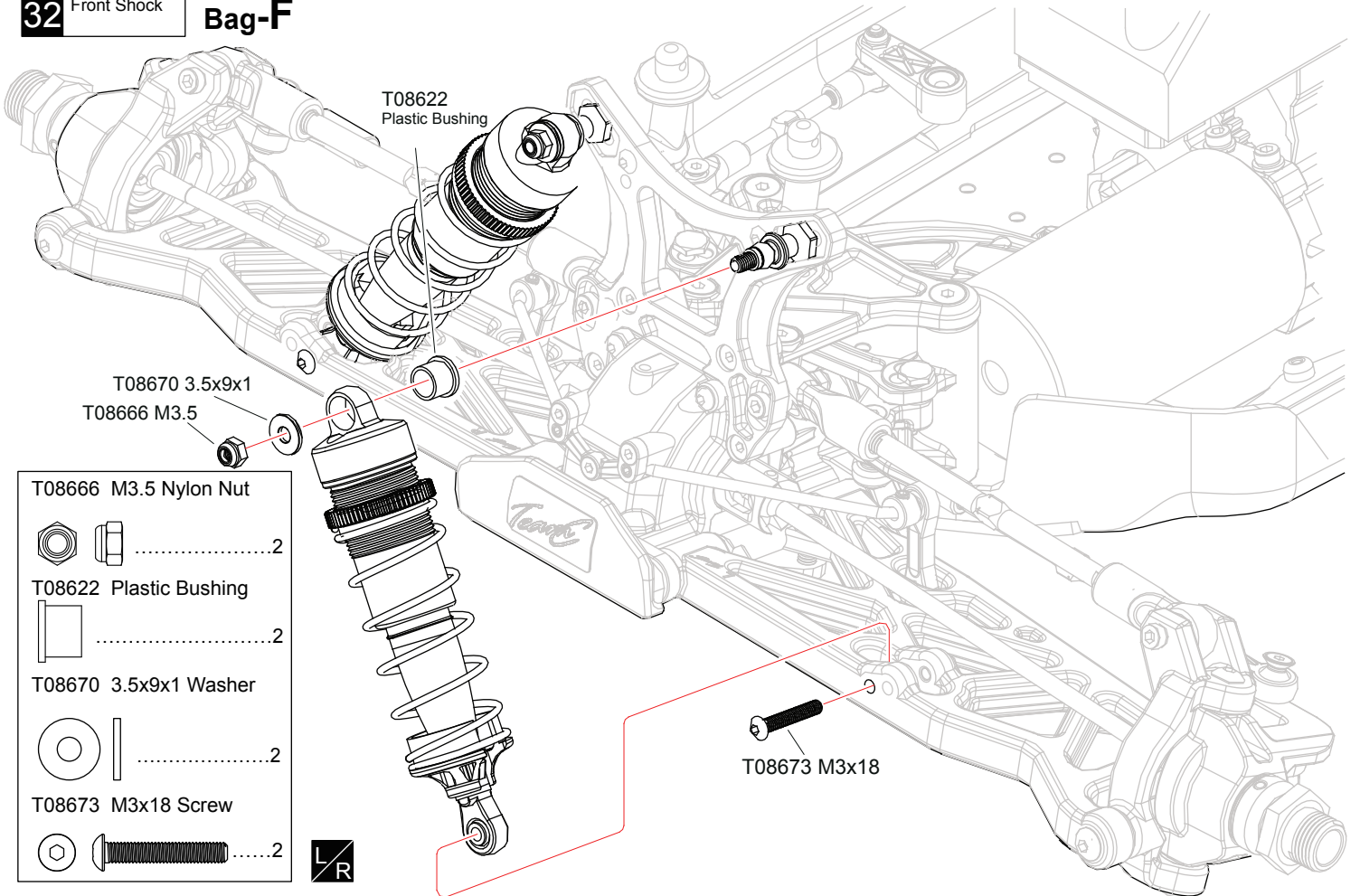
FR Assemble both Front and Rear **x2** Assemble as many times as specified

31 Shock Bag-F

F/R **x2**



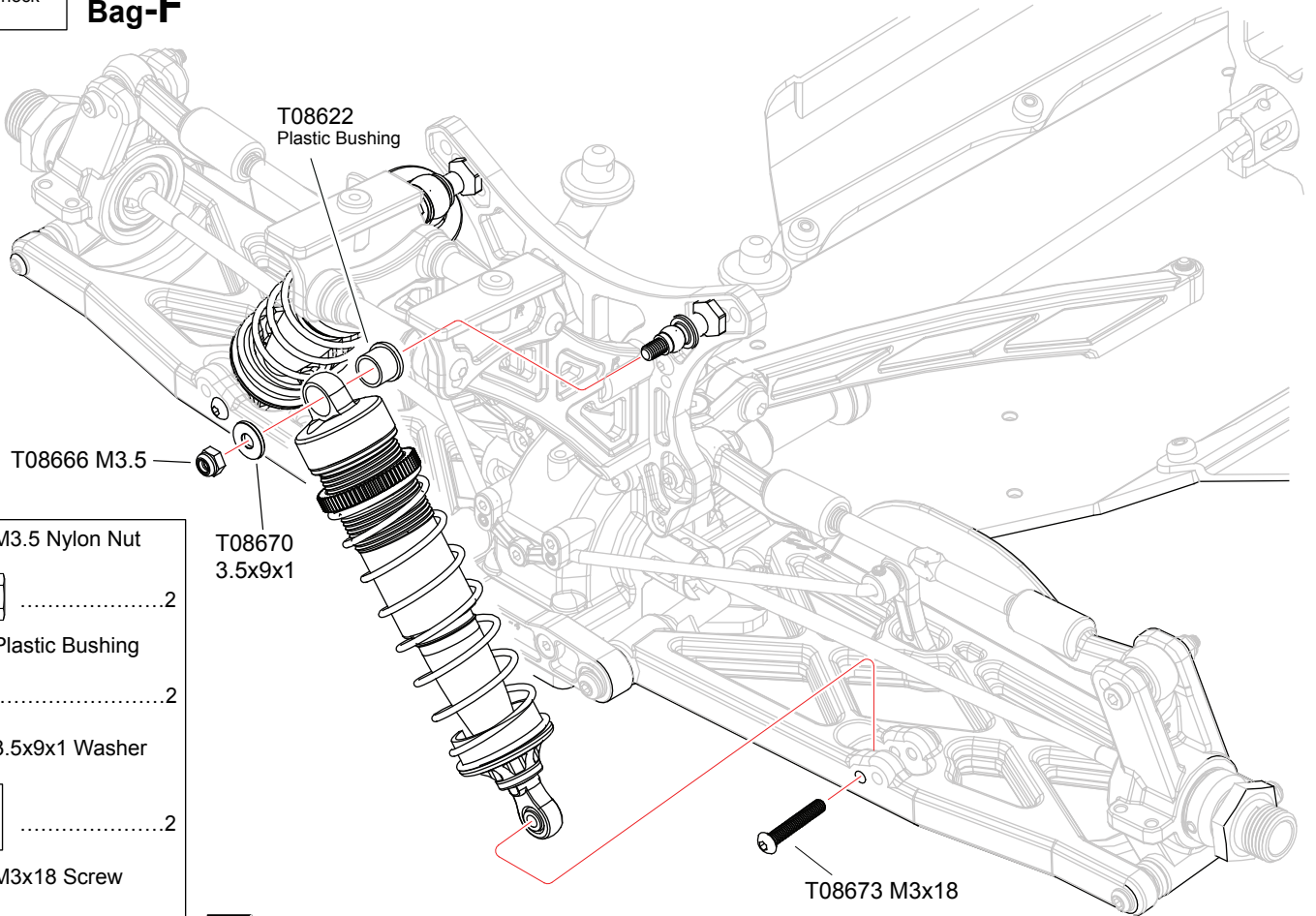
32 Front Shock Bag-F



- T08666 M3.5 Nylon Nut
- T08622 Plastic Bushing
- T08670 3.5x9x1 Washer
- T08673 M3x18 Screw

L/R

Bag-F

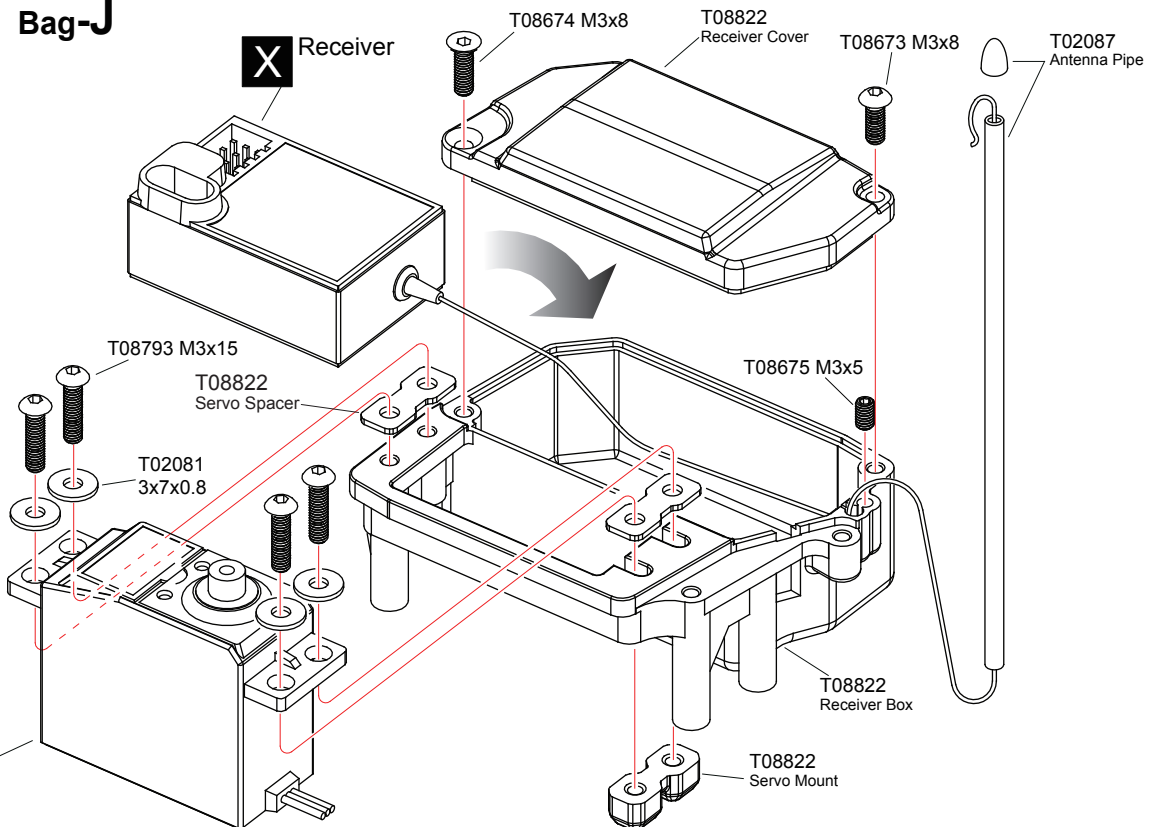


- T08666 M3.5 Nylon Nut2
- T08622 Plastic Bushing2
- T08670 3.5x9x1 Washer2
- T08673 M3x18 Screw2



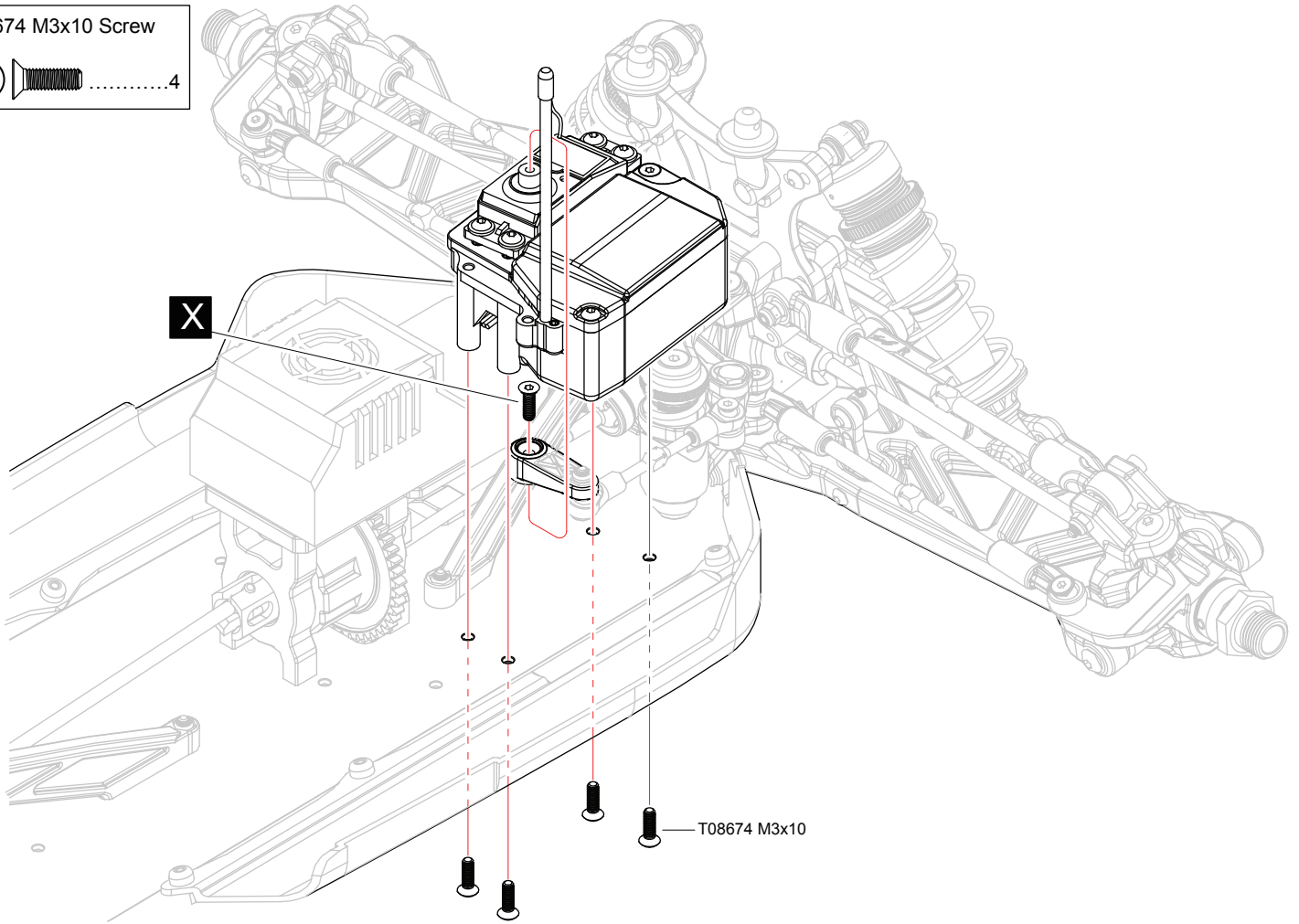
Bag-B Bag-J

- T02081 3x7x0.8 Washer4
- T08673 M3x8 Screw1
- T08793 M3x15 Screw4
- T08674 M3x8 Screw1
- T08675 M3x5 Screw1



35 Receiver/Servo **Bag-B**

T08674 M3x10 Screw

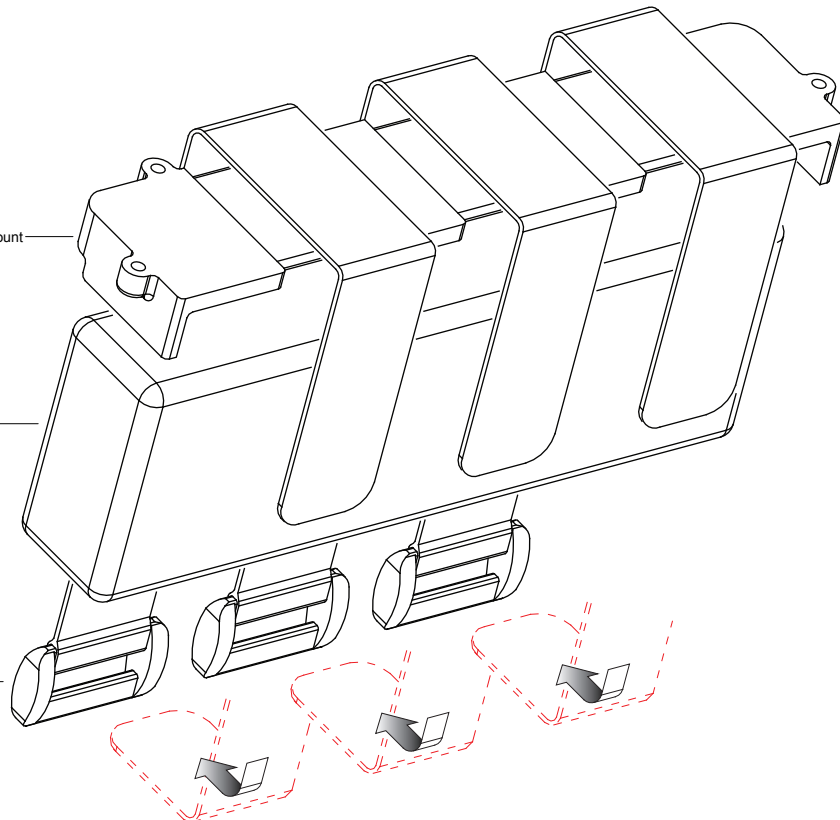


36 Battery **x2** **Bag-B**

T08821
Battery Mount

X Battery

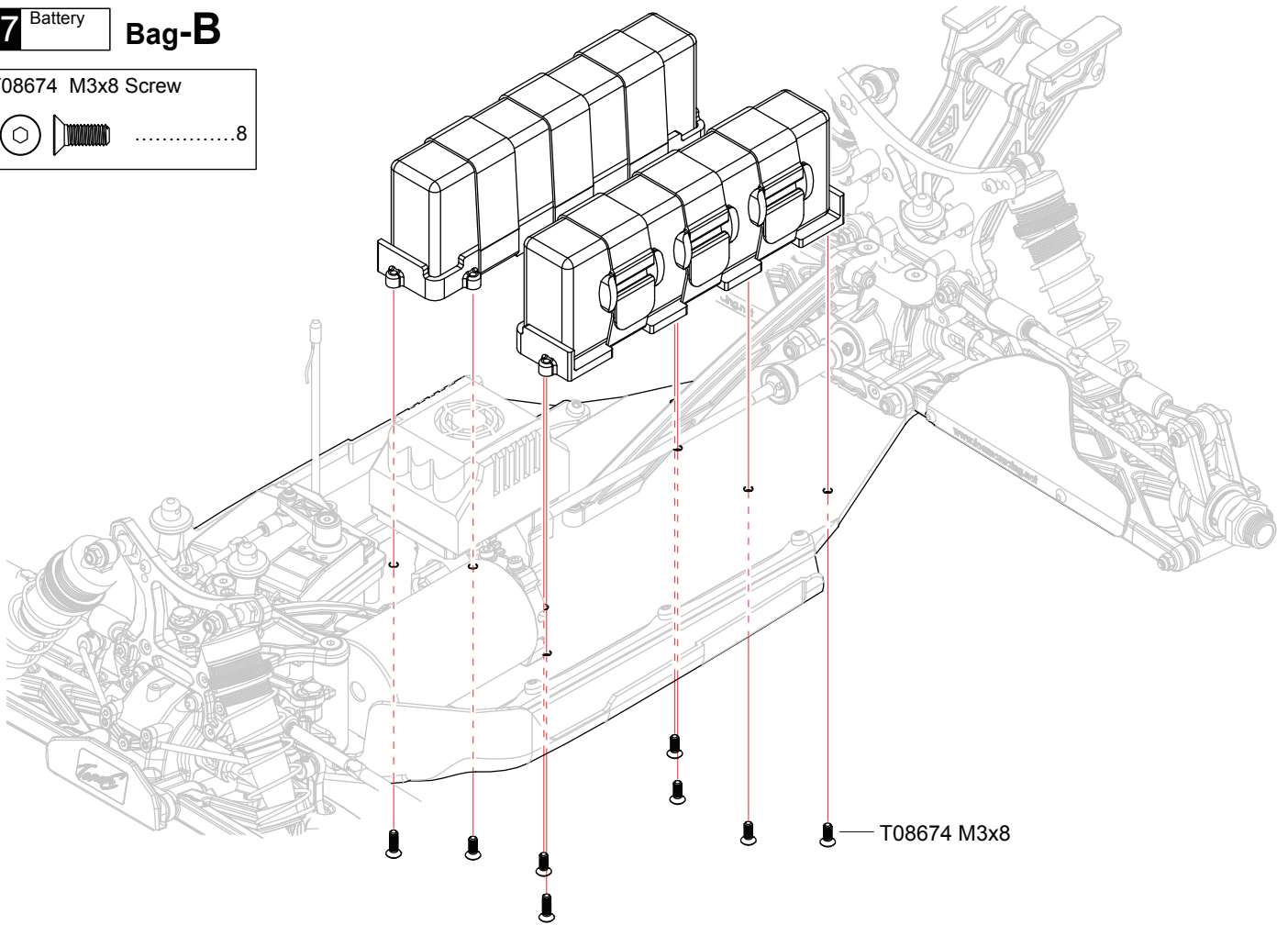
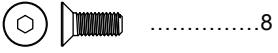
T08821
Velcro Tape
魔鬼粘



X Must be purchased separately

37 Battery Bag-B

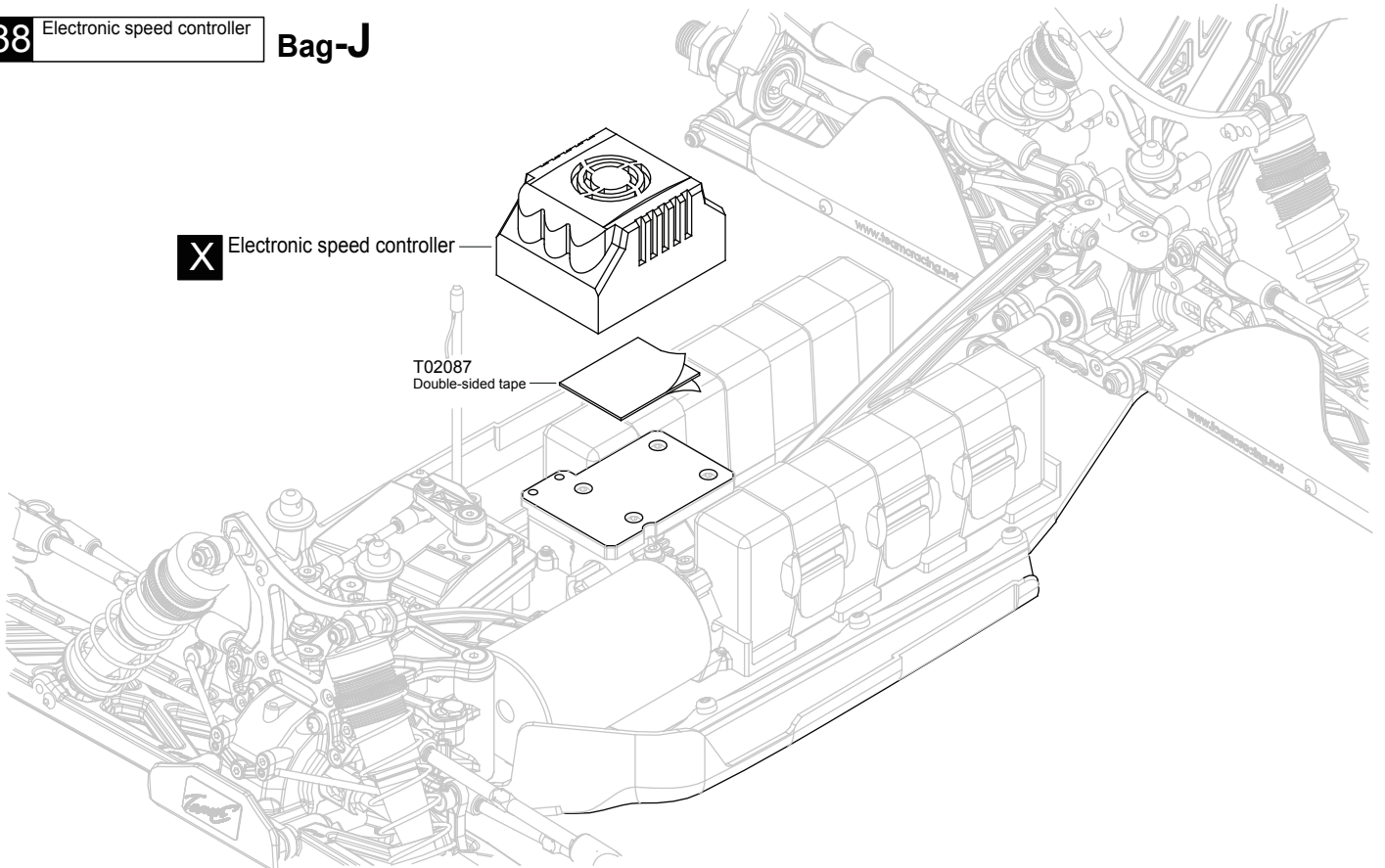
T08674 M3x8 Screw



38 Electronic speed controller Bag-J

X Electronic speed controller

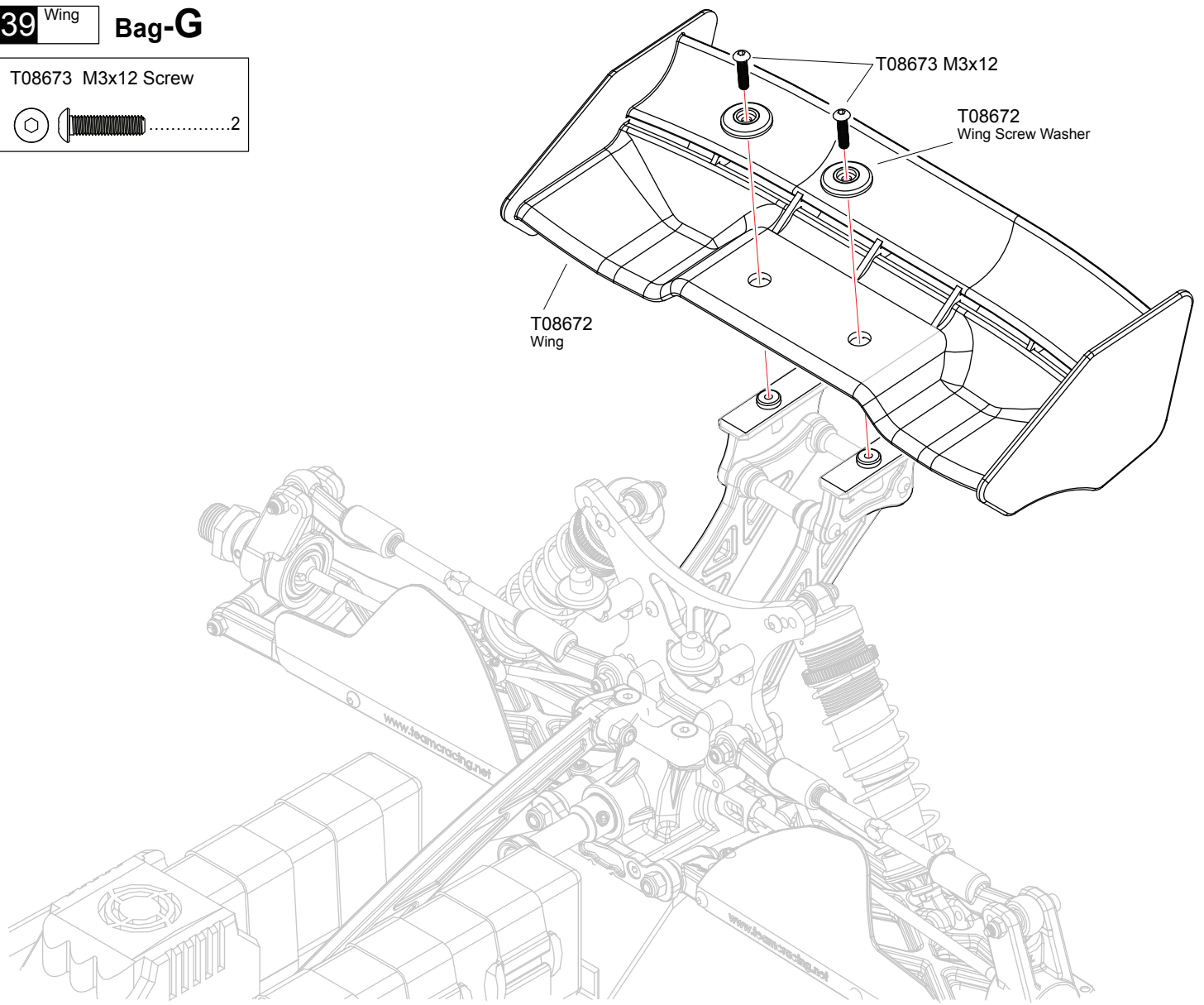
T02087
Double-sided tape



X Must be purchased separately

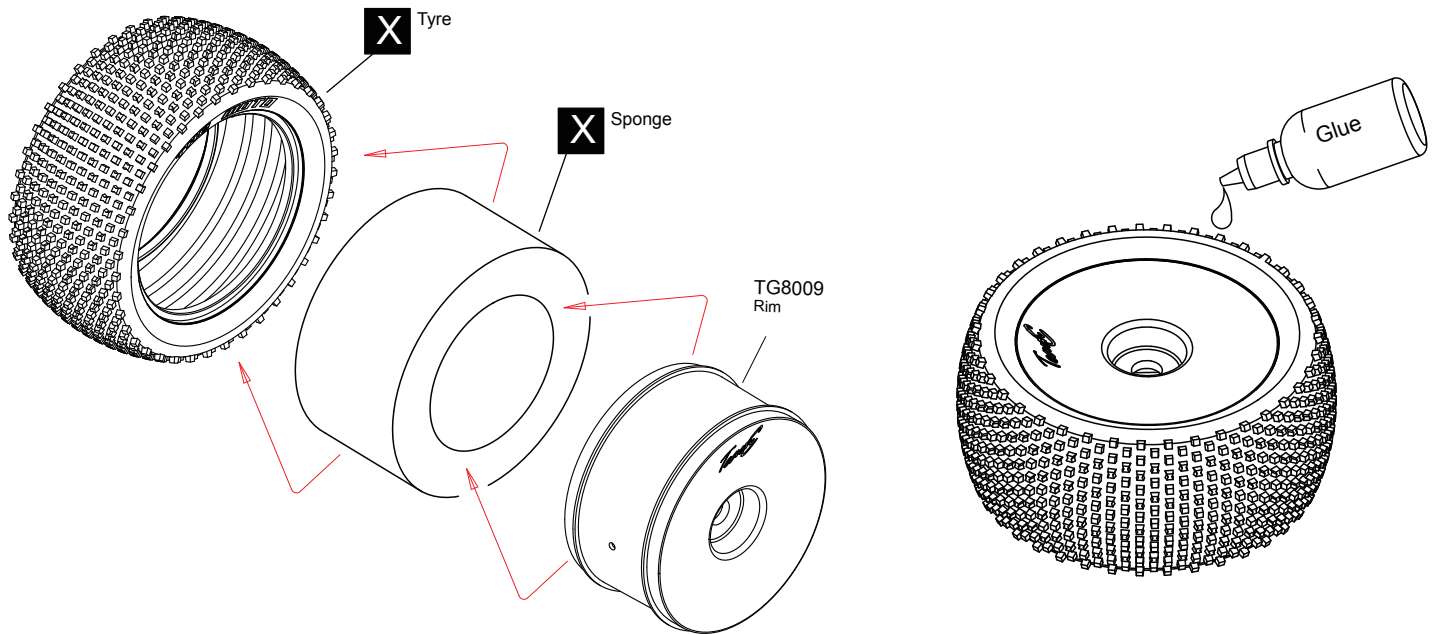
39 Wing **Bag-G**

T08673 M3x12 Screw



40 Tyre **Bag-H**

x4

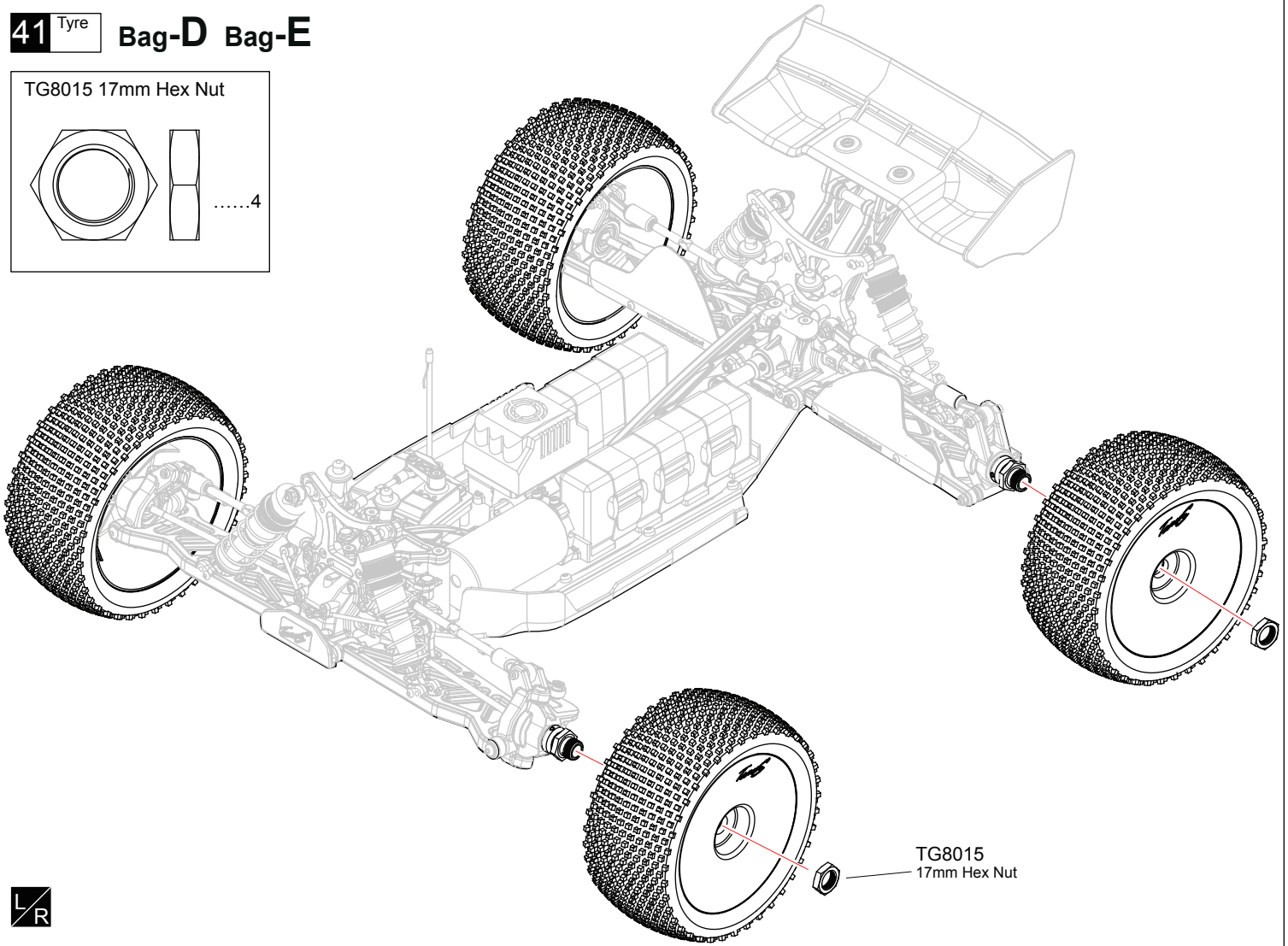
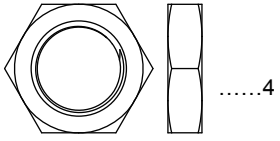


x4 Assemble as many times as specified

X Must be purchased separately

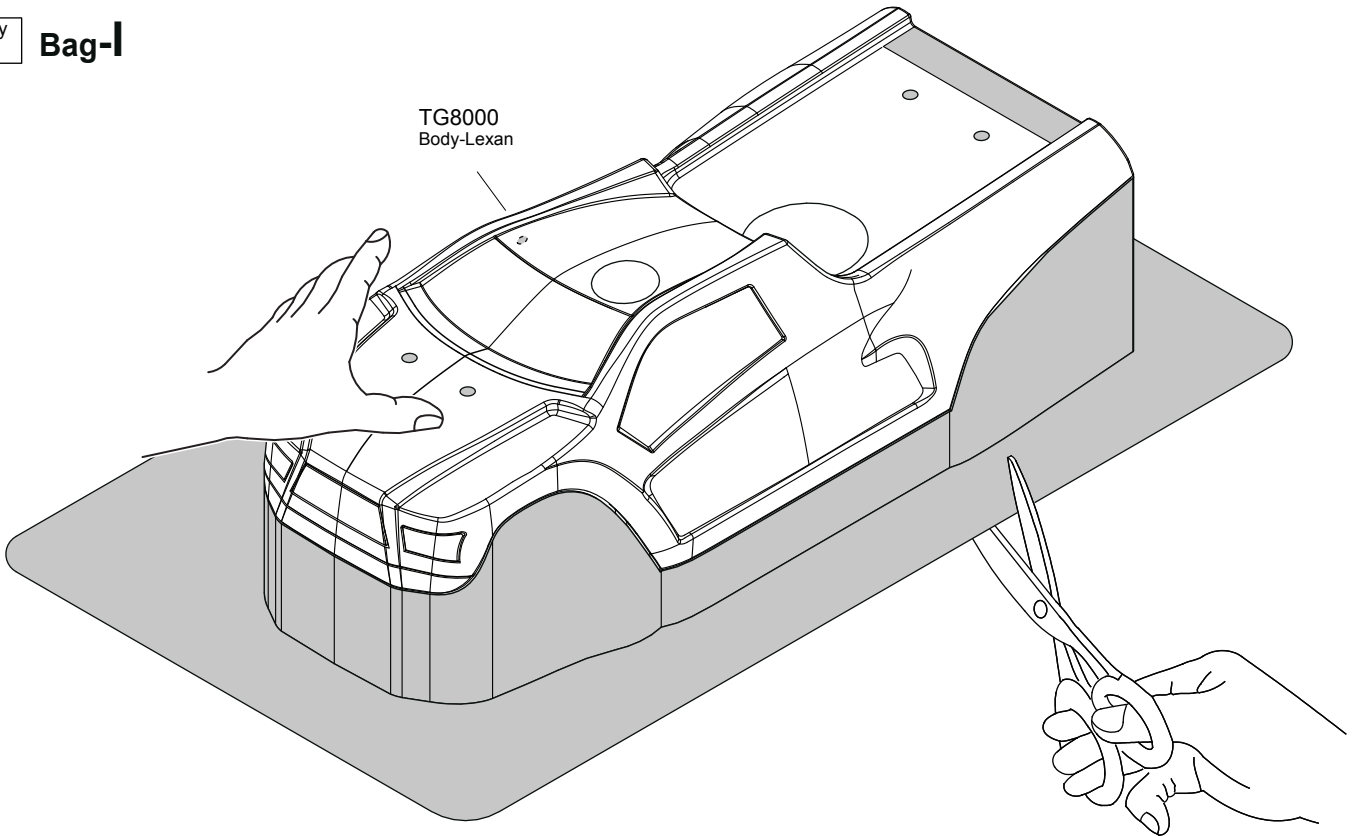
41 Tyre **Bag-D Bag-E**


TG8015 17mm Hex Nut



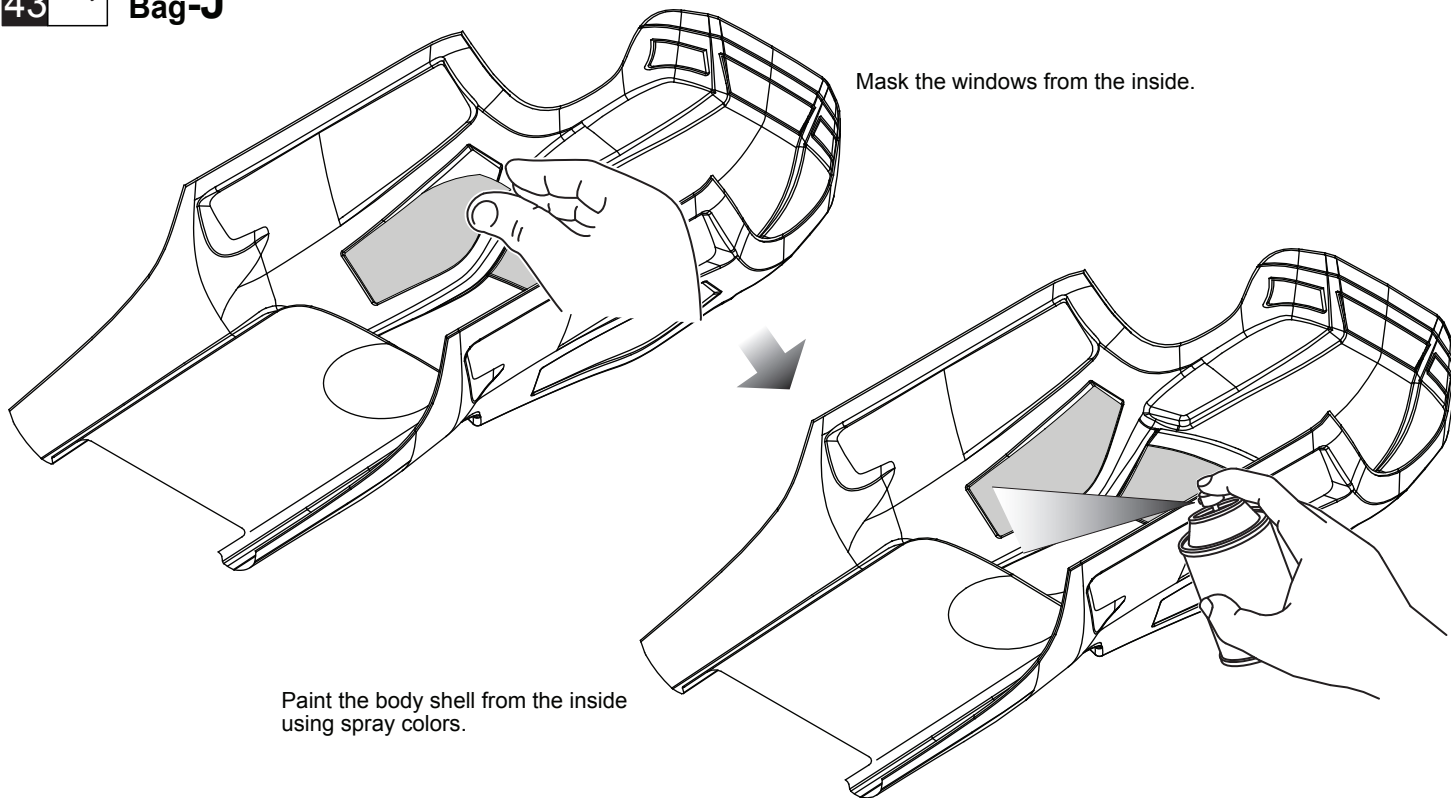
42 Body **Bag-I**

TG8000
Body-Lexan



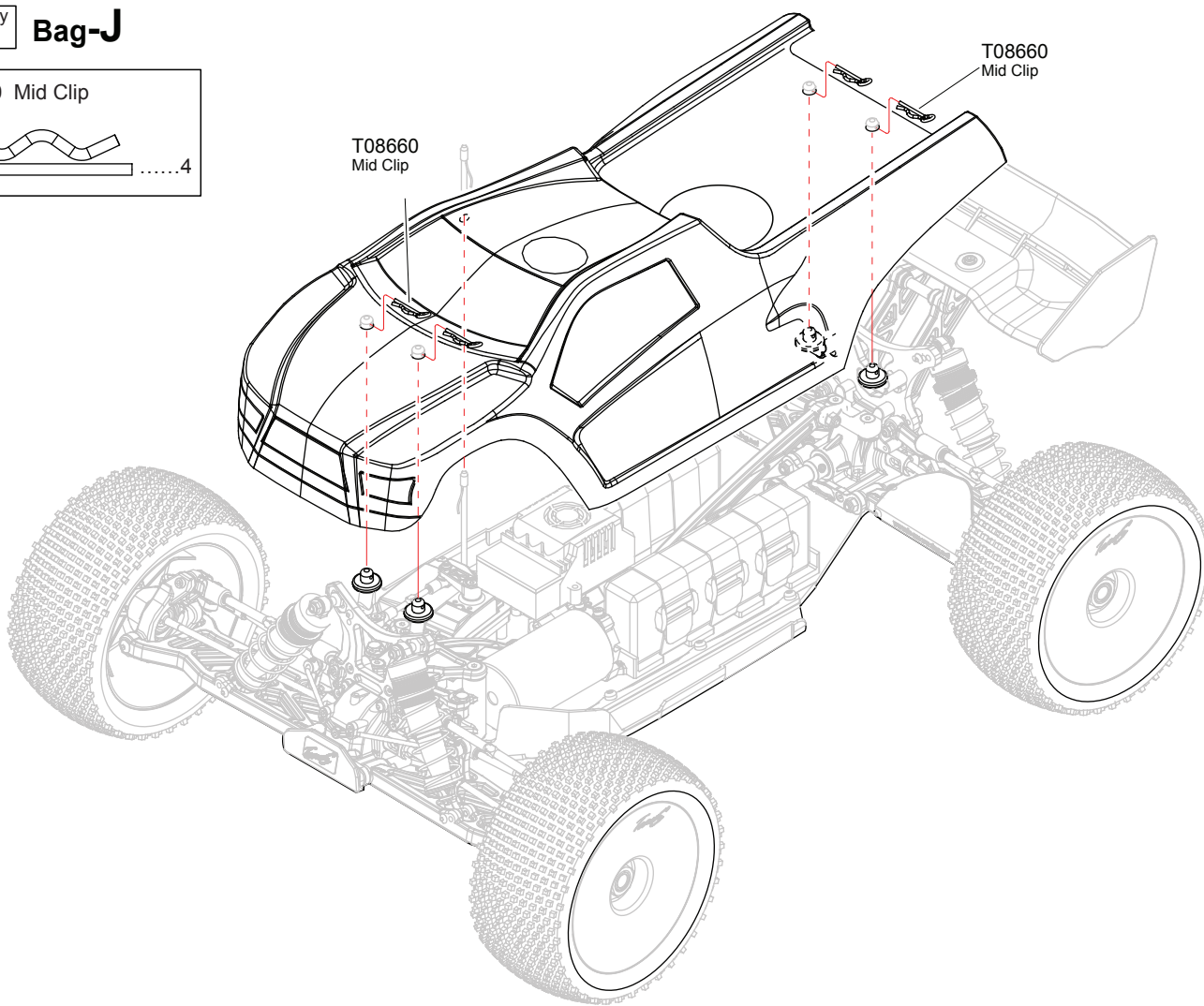
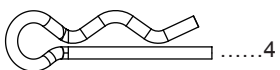
 Assemble both Left and Right

43 Body **Bag-J**

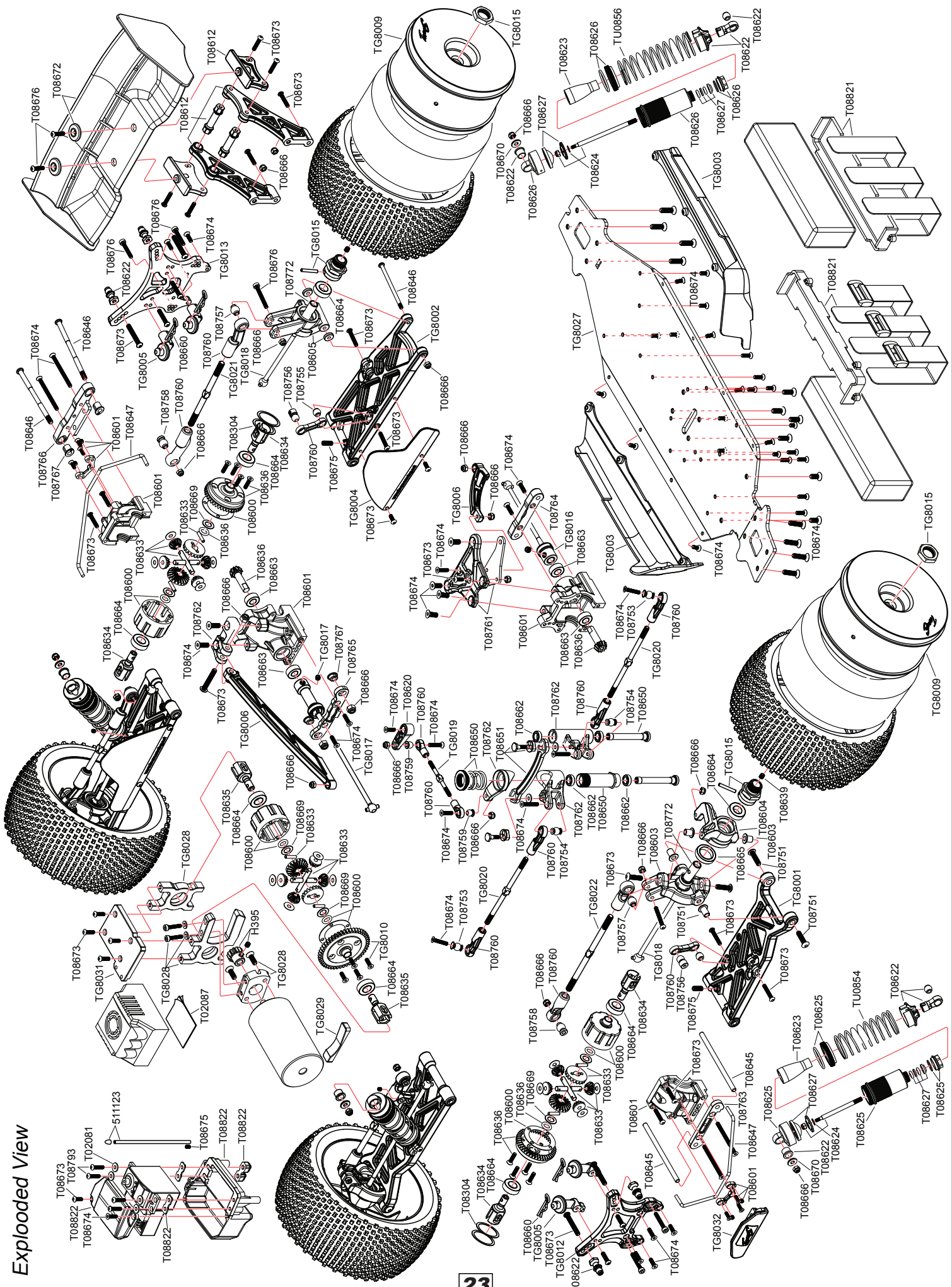


44 Body **Bag-J**

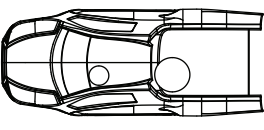
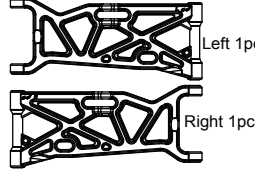
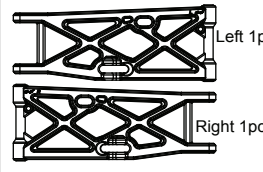
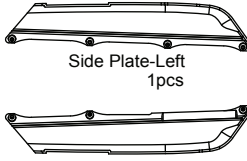
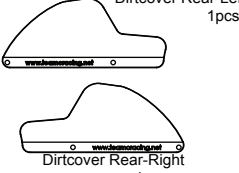
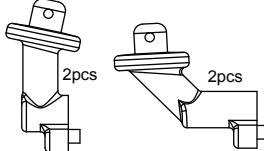
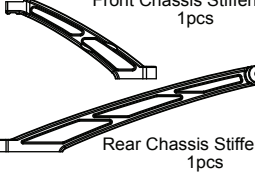
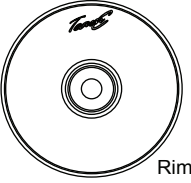
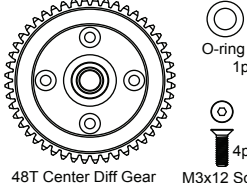
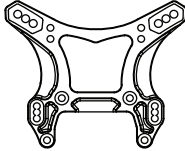
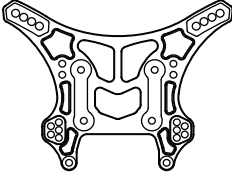
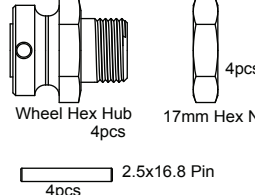
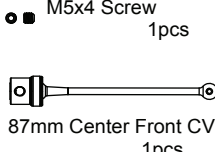

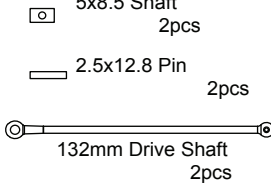
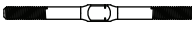



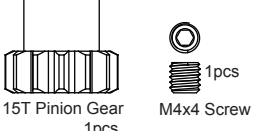
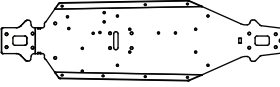
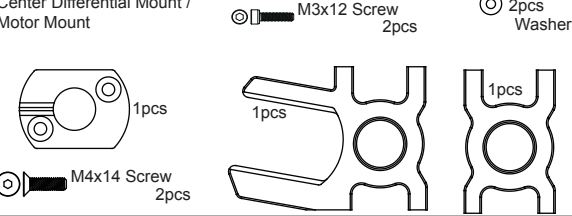
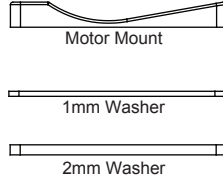

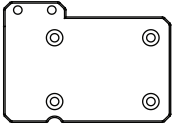

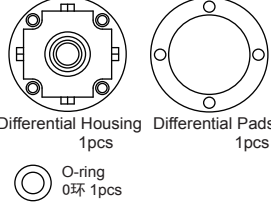
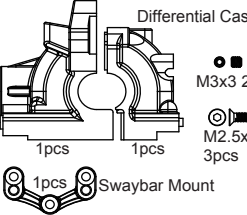
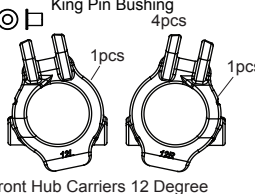
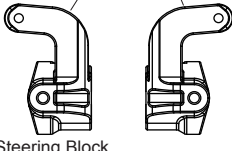
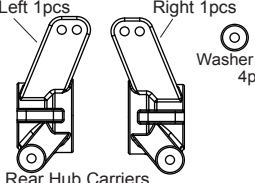
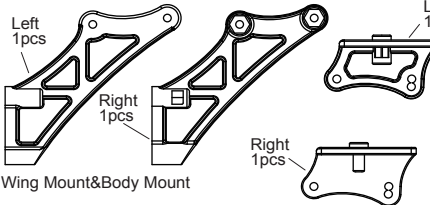
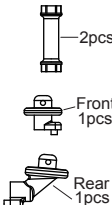
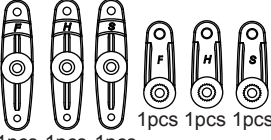
T08660 Mid Clip



Exploded View



Parts list for T8TE Truggy-1

<p>TG8000</p>  <p>Body-Lexan 1pcs</p>	<p>TG8001</p>  <p>Left 1pcs Right 1pcs Front Lower Arm</p>	<p>TG8002</p>  <p>Left 1pcs Right 1pcs Rear Lower Arm</p>	<p>TG8003</p>  <p>Side Plate-Left 1pcs Side Plate-Right 1pcs</p>	<p>TG8004</p>  <p>Dirtcover Rear-Left 1pcs Dirtcover Rear-Right 1pcs</p>
<p>TG8005</p>  <p>2pcs 2pcs Front Body Mount Rear Body Mount</p>	<p>TG8006</p>  <p>Front Chassis Stiffener 1pcs Rear Chassis Stiffener 1pcs</p>	<p>TG8009</p>  <p>Rim 2pcs</p>	<p>TG8010</p>  <p>48T Center Diff Gear 1pcs O-ring 1pcs M3x12 Screw 4pcs</p>	<p>TG8012</p>  <p>Front Shock Tower 1pcs</p>
<p>TG8013</p>  <p>Rear Shock Tower 1pcs</p>	<p>TG8015</p>  <p>Wheel Hex Hub 4pcs 17mm Hex Nut 4pcs 2.5x16.8 Pin 4pcs</p>	<p>TG8016</p>  <p>M5x4 Screw 1pcs 87mm Center Front CVD 1pcs</p>	<p>TG8017</p>  <p>M5x4 Screw 1pcs 132mm Center Rear CVD 1pcs</p>	<p>TG8018</p>  <p>5x8.5 Shaft 2pcs 2.5x12.8 Pin 2pcs 132mm Drive Shaft 2pcs</p>
<p>TG8019</p>  <p>3x45 Turnbuckle 2pcs</p>	<p>TG8020</p>  <p>4x86 Turnbuckle 2pcs</p>	<p>TG8021</p>  <p>5x80 Turnbuckle 2pcs</p>	<p>TG8022</p>  <p>5x96 Turnbuckle 2pcs</p>	<p>H395</p>  <p>15T Pinion Gear 1pcs M4x4 Screw 1pcs</p>
<p>TG8027</p>  <p>Chassis 1pcs</p>	<p>TG8028</p>  <p>Center Differential Mount / Motor Mount M3x12 Screw 2pcs 2pcs Washer M4x14 Screw 2pcs 1pcs 1pcs 1pcs</p>	<p>TG8029</p>  <p>Motor Mount 1mm Washer 2mm Washer</p>	<p>TG8030</p>  <p>M3x6 Screw 8pcs</p>	
<p>TG8031</p>  <p>Center Differential Plate 1pcs</p>	<p>TG8032</p>  <p>Front Bumper 1pcs</p>	<p>T08600</p>  <p>Differential Housing 1pcs Differential Pads 1pcs O-ring 0环 1pcs</p>	<p>T08601</p>  <p>Differential Case M3x3 2pcs M2.5x8 3pcs 1pcs 1pcs Swaybar Mount 1pcs</p>	<p>T08603</p>  <p>King Pin Bushing 4pcs 1pcs 1pcs Front Hub Carriers 12 Degree</p>
<p>T08604</p>  <p>Left 1pcs Right 1pcs Steering Block</p>	<p>T08605</p>  <p>Left 1pcs Right 1pcs Washer 4pcs Rear Hub Carriers</p>	<p>T08612</p>  <p>Left 1pcs Right 1pcs Right 1pcs Wing Mount&Body Mount</p>	 <p>2pcs Front 1pcs Rear 1pcs</p>	<p>T08620</p>  <p>1pcs 1pcs 1pcs 1pcs 1pcs 1pcs Servo Arm 伺服臂</p>

Parts list for T8TE Truggy-2

T08622

4pcs Ball stud
4pcs Ball End
4pcs Spring Mount
4pcs 6.8 Ball stud

T08623

4pcs Shock Boot

T08624

4pcs Front Shock Shaft
2pcs Rear Shock Shaft
4pcs

T08625

2pcs Front Shock Body
2pcs
2pcs
2pcs

T08626

2pcs Rear Shock Body
2pcs
2pcs

T08627

4pcs Diaphragm
4pcs 1mm Plastic Washer
4pcs 2.75mm Plastic Washer
8pcs 3.3x1.9 O-ring
4pcs Shock Piston

T08688

Front Shock Absorber 2Set

T08689

Rear Shock Absorber 2Set

TU0854

2pcs Front Shock Spring-Hard

TU0856 **OP**

2pcs Rear Shock Spring-Hard

T08633

2pcs 20T Diff Gear
4pcs 10T Diff Gear
4pcs 4.1x12x0.2 Washer
2pcs 2.5x11.5 Pin
2pcs 2.5x11.5 销子
4pcs 6.1x11x0.2 Washer
2pcs Diff Shaft

T08634

2pcs Front/Rear Diff Connecting Cup

T08635

2pcs Center Diff Connecting Cup

T08636

1pcs 10T Gear
1pcs O-ring
4pcs M3x12 Screw
1pcs 43T Front/Rear Diff Gear

T08645

2pcs 4x73 Arm Shaft

T08646

2pcs 3x51.5 Arm Shaft
2pcs 4x77 Arm Shaft

T08647

2pcs Front/Rear Swaybar

T08650

1pcs Servo Saver Set
2pcs

T08651

2pcs Buffer Screw
2pcs Buffer Bushing
1pcs Steering Rack

T08660

8pcs Small Clip
8pcs Mid Clip

T08662

6pcs 6x10x3 Ball Bearing

T08663

6pcs 6x13x5 Ball Bearing

T08664

6pcs 8x16x5 Ball Bearing

T08665

6pcs 13x19x4 Ball Bearing

T08667

6pcs 2.7x5.8x0.5 Washer

T08666

6pcs M2.5 Nylon Nut
6pcs M3.5 Nylon Nut
6pcs M3 Nylon Nut
6pcs M4 Nylon Nut

T08668

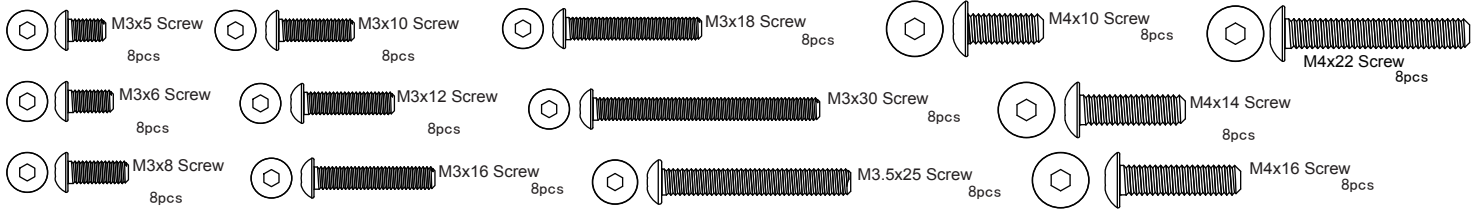
6pcs 4.1x12x0.2 Washer

T08669

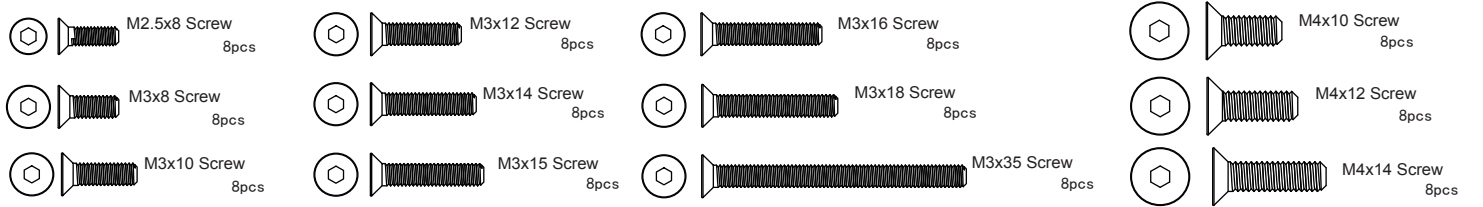
12pcs 6.1x11x0.2 Washer

Parts list for T8TE Truggy-3

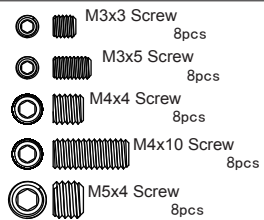
T08673



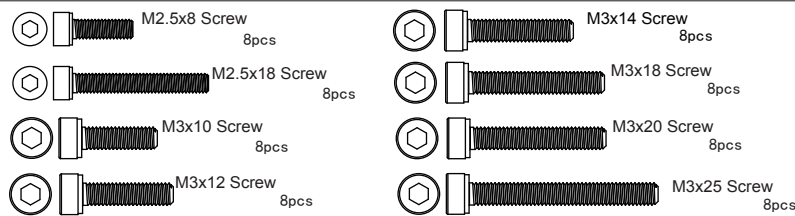
T08674



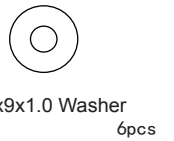
T08675



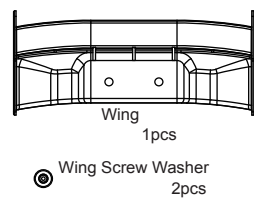
T08676



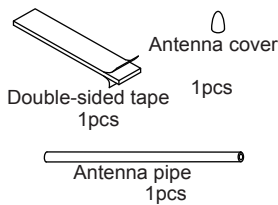
T08670



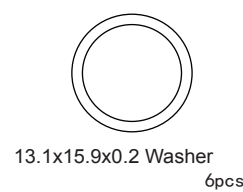
T08672



T02087



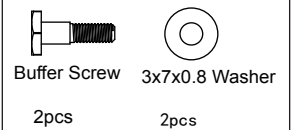
T08304



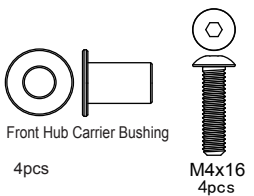
T02081



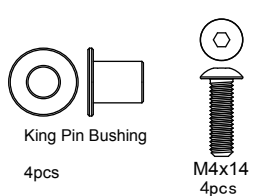
T08750



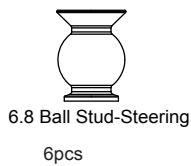
T08751



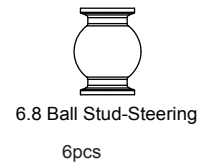
T08752



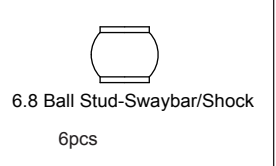
T08753



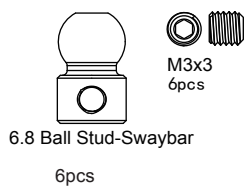
T08754



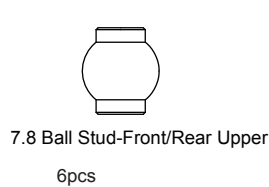
T08755



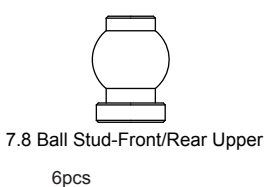
T08756



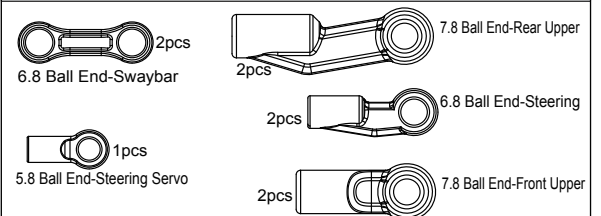
T08757



T08758



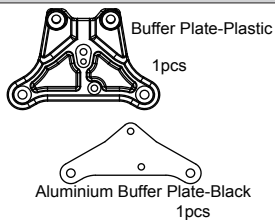
T08760



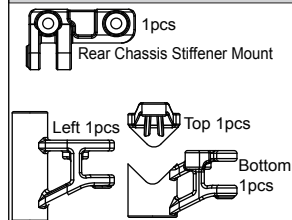
T08759



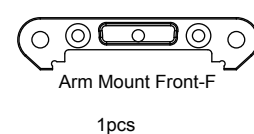
T08761



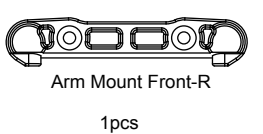
T08762



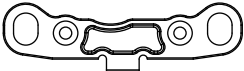
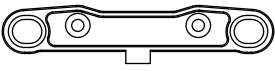
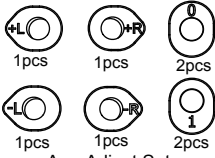
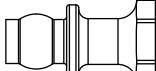
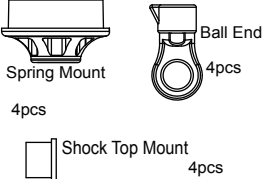
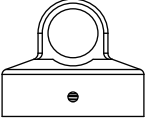
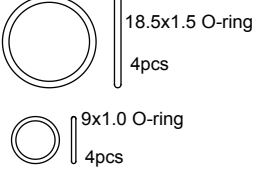
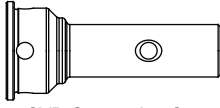
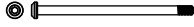
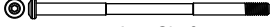
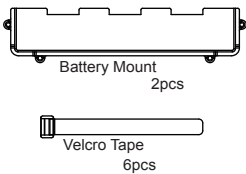
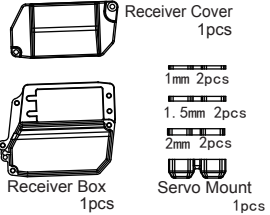
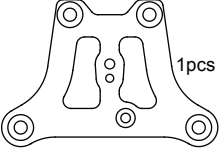
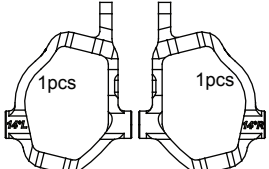
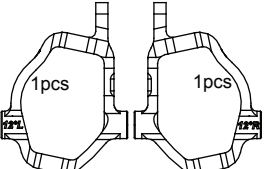
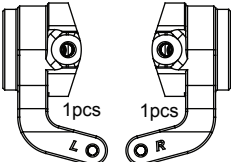
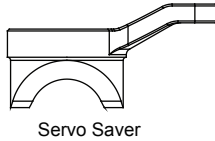
T08763



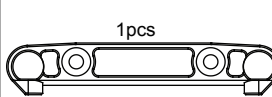

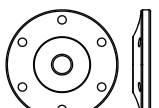

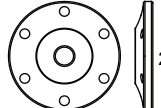
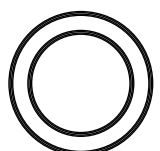







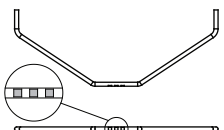
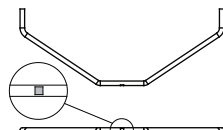
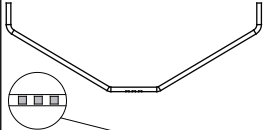
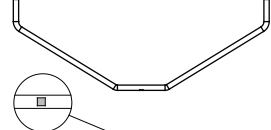
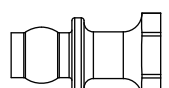
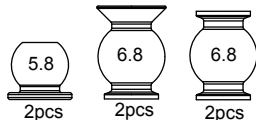
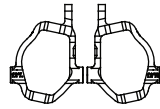
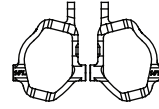

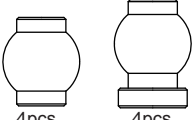
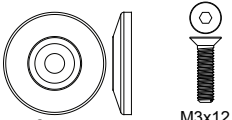
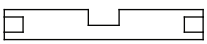
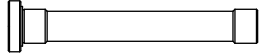
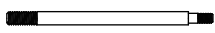
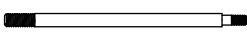
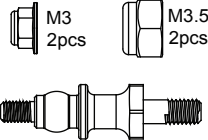
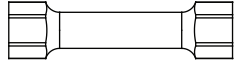
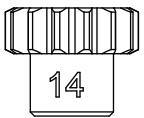
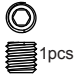
T08764



Parts list for T8TE Truggy-4

<p>T08765</p>  <p>Arm Mount Rear-F 1pcs</p>	<p>T08766</p>  <p>Arm Mount Rear-R 1pcs</p>	<p>T08767</p>  <p>1pcs 1pcs 2pcs 1pcs 1pcs 2pcs Arm Adjust Set</p>	<p>T08768</p>  <p>Shock Top Ball stud 4pcs</p>	<p>T08769</p>  <p>Spring Mount 4pcs Ball End 4pcs Shock Top Mount 4pcs</p>
<p>T08770</p>  <p>Shock Absorber Top cover 4pcs</p>	<p>T08771</p>  <p>18.5x1.5 O-ring 4pcs 9x1.0 O-ring 4pcs</p>	<p>T08772</p>  <p>CVD Connecting Cup 2pcs</p>	<p>T08779</p>  <p>3x51.5 Arm Shaft 2pcs</p>	<p>T08780</p>  <p>4x77 Arm Shaft 2pcs</p>
<p>T08786 M2.5 Nylon Nut 6pcs</p>	<p>T08808 M3x16 Flat Head Hex Screw 8pcs</p>	<p>T08821</p>  <p>Battery Mount 2pcs Velcro Tape 6pcs</p>		
<p>T08787 M3.5 Nylon Nut 6pcs</p>	<p>T08809 M3x18 Flat Head Hex Screw 8pcs</p>	<p>T08822</p>  <p>Receiver Cover 1pcs Receiver Box 1pcs 1mm 2pcs 1.5mm 2pcs 2mm 2pcs Servo Mount 1pcs</p>		
<p>T08789 M3x6 Button Head Hex Screw 8pcs</p>	<p>T08810 M3x35 Flat Head Hex Screw 8pcs</p>	<p>T08790 M3x8 Button Head Hex Screw 8pcs</p>	<p>T08811 M4x10 Flat Head Hex Screw 8pcs</p>	
<p>T08791 M3x10 Button Head Hex Screw 8pcs</p>	<p>T08812 M4x12 Flat Head Hex Screw 8pcs</p>	<p>T08792 M3x12 Button Head Hex Screw 8pcs</p>	<p>T08813 M4x14 Flat Head Hex Screw 8pcs</p>	
<p>T08793 M3x15 Button Head Hex Screw 8pcs</p>	<p>T08814 M3x5 Set Screw 8pcs</p>	<p>T08794 M3x16 Button Head Hex Screw 8pcs</p>	<p>T08815 M4x10 Set Screw 8pcs</p>	
<p>T08795 M3x18 Button Head Hex Screw 8pcs</p>	<p>T08816 M5x4 Set Screw 8pcs</p>	<p>T08797 M3.5x25 Button Head Hex Screw 8pcs</p>	<p>T08819 M3x25 Cap Head Screw 8pcs</p>	
<p>T08799 M4x14 Button Head Hex Screw 8pcs</p>	<p>84001 M3x3 Set Screw 8pcs</p>	<p>T08800 M4x16 Button Head Hex Screw 8pcs</p>	<p>84002 M4x4 Set Screw 8pcs</p>	
<p>T08801 M4x22 Button Head Hex Screw 8pcs</p>	<p>83001 M3x12 Cap Head Screw 8pcs</p>	<p>T08802 M2.5x8 Flat Head Hex Screw 8pcs</p>	<p>T08219 M3x14 Cap Head Screw 8pcs</p>	
<p>T08803 M3x8 Flat Head Hex Screw 8pcs</p>	<p>T08220 M3x18 Cap Head Screw 8pcs</p>	<p>T08804 M3x10 Flat Head Hex Screw 8pcs</p>	<p>511129 Mid Clip 10pcs</p>	
<p>T08805 M3x12 Flat Head Hex Screw 8pcs</p>	<p>511190 Small Clip 10pcs</p>	<p>T08806 M3x14 Flat Head Hex Screw 8pcs</p>	<p>87004 M3 Nylon Nut 6pcs</p>	
<p>T08807 M3x15 Flat Head Hex Screw 8pcs</p>	<p>87006 M4 Nylon Nut 6pcs</p>	<p>TU0819 OP</p>  <p>Carbon Buffer Plate 1pcs</p>	<p>TU0829 OP</p>  <p>Front Hub Carriers 14 Degree 1pcs 1pcs</p>	
<p>TU0819 OP</p>	<p>TU0829 OP</p>	<p>TU0830 OP</p>  <p>Front Hub Carriers 12 Degree 1pcs 1pcs</p>	<p>TU0831 OP</p>  <p>Steering Block 1pcs 1pcs</p>	<p>TU0835 OP</p>  <p>Servo Saver 1pcs</p>

Parts list for T8TE Truggy-5

<p>TU0839 OP</p>  <p>1pcs</p> <p>Front Arm Mount-Rear</p>	<p>TU0840 OP</p>  <p>6x10x3 Ceramic Bearing</p> <p>6pcs</p>	<p>TU0842 OP</p>  <p>2pcs</p> <p>Piston 1.2x6-Black</p>	<p>TU0843 OP</p>  <p>6x13x5 Ceramic Bearing</p> <p>6pcs</p>	<p>TU0847 OP</p>  <p>2pcs</p> <p>Piston 1.4x6-White</p>
<p>TU0849 OP</p>  <p>6pcs</p> <p>13x19x4 Ceramic Bearing</p>	<p>TU0851 OP</p>  <p>8x16x5 Ceramic Bearing</p> <p>6pcs</p>	<p>TU0860G OP</p>  <p>10pcs</p> <p>M3 Aluminium Nuts-Golden</p>  <p>3pcs</p> <p>M4 Aluminium Nuts-Golden</p>	<p>TU0861B OP</p>  <p>10pcs</p> <p>M3 Aluminium Nuts-Blue</p>  <p>3pcs</p> <p>M4 Aluminium Nuts-Blue</p>	<p>TU0862R OP</p>  <p>10pcs</p> <p>M3 Aluminium Nuts-Red</p>  <p>3pcs</p> <p>M4 Aluminium Nuts-Red</p>
<p>TU0866 OP</p>  <p>1pcs</p> <p>Front Sway Bar 2.3</p>	<p>TU0867 OP</p>  <p>1pcs</p> <p>Front Sway Bar 2.6</p>	<p>TU0868 OP</p>  <p>1pcs</p> <p>Rear Sway Bar 2.6</p>	<p>TU0869 OP</p>  <p>1pcs</p> <p>Rear Sway Bar 3.0</p>	<p>TU0870 OP</p>  <p>4pcs</p> <p>Shock Top Ball stud-Aluminium</p>
<p>TU0871 OP</p>  <p>2pcs</p> <p>2pcs</p> <p>2pcs</p> <p>5.8/6.8mm Ball Stud-Aluminium</p>	<p>TU0872 OP</p> <p>Front Hub Carriers 12 Degree</p>  <p>1 set</p> <p>Steering Block</p>	<p>TU0874 OP</p> <p>Front Hub Carriers 14 Degree</p>  <p>1 set</p> <p>Steering Block</p>	<p>TU0875 OP</p>  <p>4pcs</p> <p>6.8 Swaybar Ball Stud-Aluminium</p>	<p>TU0876 OP</p>  <p>4pcs</p> <p>4pcs</p> <p>7.8mm Arm Ball Stud-Aluminium</p>
<p>TU0877 OP</p>  <p>2pcs</p> <p>M3x12</p> <p>2pcs</p> <p>Wing Washer-Aluminium</p>	<p>TU0878 OP</p>  <p>Diff Shaft-Aluminium</p> <p>铝</p> <p>6pcs</p>	<p>TU0879 OP</p>  <p>Servo Saver Shaft-Aluminium</p> <p>2pcs</p>	<p>TU0880 OP</p>  <p>Front Shock Shaft-Titan Coated</p> <p>2pcs</p>	<p>TU0882 OP</p>  <p>Rear Shock Shaft-Titan Coated</p> <p>2pcs</p>
<p>TU0884 OP</p>  <p>M3</p> <p>2pcs</p> <p>M3.5</p> <p>2pcs</p> <p>Shock Ball Stud</p> <p>2pcs</p>	<p>TU0886 OP</p>  <p>Rear Wing Mount -Shaft</p> <p>2pcs</p>	<p>H394 OP</p>  <p>14</p> <p>14T Pinion Gear</p> <p>1pcs</p>  <p>M4x4 Screw</p> <p>1pcs</p>		

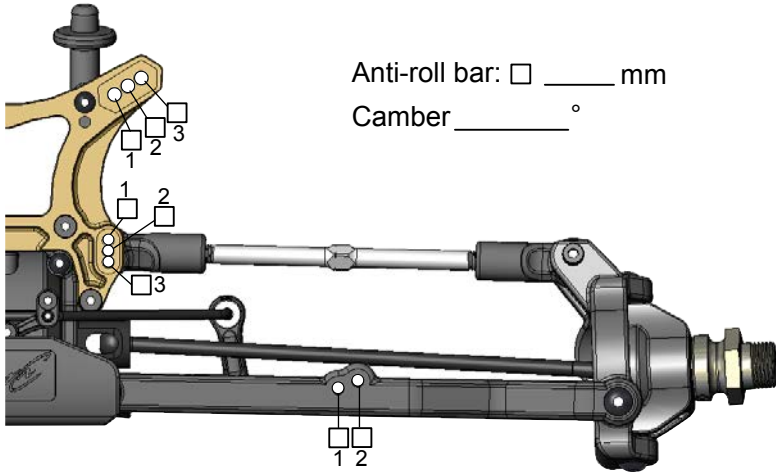
Driver _____
 Track / City _____
 Event _____ Date ____ / ____ / ____

SETUP SHEET for the TeamC T8TE

Track Condition

- Smooth Bumpy Low traction Med traction High traction
 Sandy Soft dirt Grass Hard soil Clay Wet Dry Dusty Other

Front Suspension Shock Mounting & Camber link

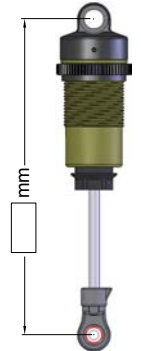


Anti-roll bar: _____ mm
 Camber _____ °



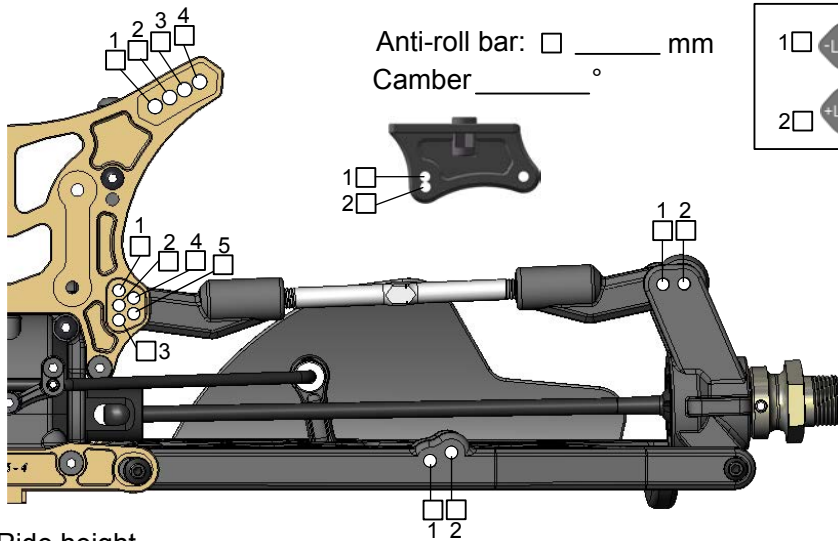
Ride height _____ mm

Front Shocks



Spring _____
 Oil _____ wt
 Piston # _____

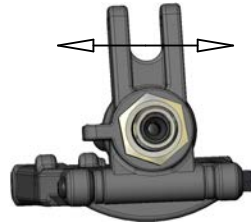
Rear Suspension Shock Mounting & Camber link



Anti-roll bar: _____ mm
 Camber _____ °

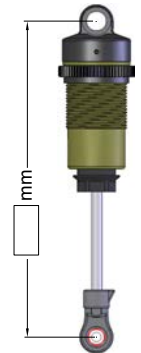


Wheelbase
 Long
 Medium
 Short



Ride height _____

Rear Shocks



Spring _____
 Oil _____ wt
 Piston # _____

Tires

Brand _____
 Compound _____
 Insert _____ **Front**
 Wheel _____
 Brand _____
 Compound _____
 Insert _____ **Rear**
 Wheel _____

Note _____

Diff

Brand _____ **Front**
 Oil wt _____ **Front**
 Brand _____ **Center**
 Oil wt _____ **Center**
 Brand _____ **Rear**
 Oil wt _____ **Rear**

Motor

ESC _____
 Motor _____
 LiPo battery _____
 Spur _____
 Pinion _____

Note _____



HOBBYPRO COMPANY LTD.

Flat C-D, 5/F.,

Speedy Ind. BLDG.,

114 How Ming Street,

Kwun Tong, KLN., Hong Kong.

Team C Headquarter

www.teamcracing.net

Team C America

www.teamcamerica.com

Team C Europe

www.teamceurope.com