



TA 10

Instruction manual

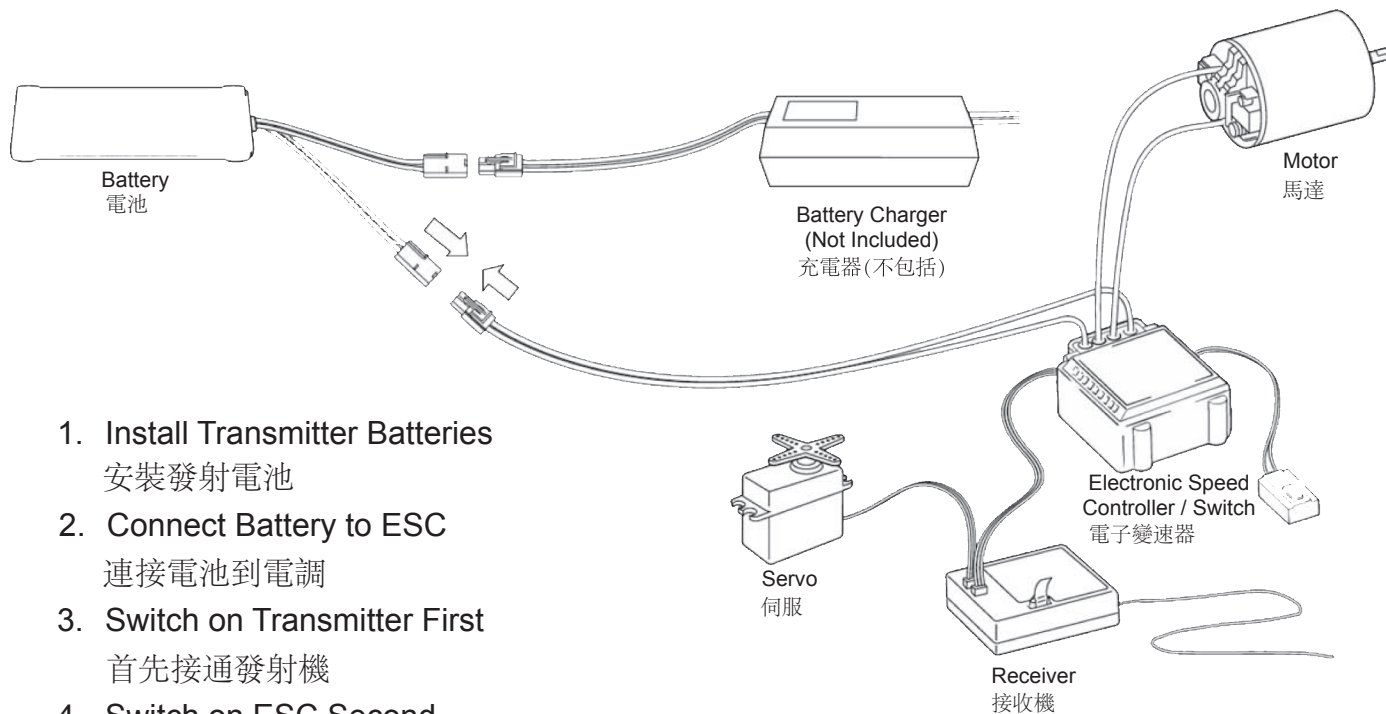
1/10 SCALE RADIO CONTROL TOURING CAR

Dimensions 尺寸:

Length 長度.....	420mm
Width 寬度.....	190mm
Height 高度.....	105mm

Transmitter Preparation

調整遙控器



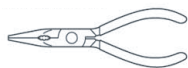
1. Install Transmitter Batteries
安裝發射電池
2. Connect Battery to ESC
連接電池到電調
3. Switch on Transmitter First
首先接通發射機
4. Switch on ESC Second
其次接通電調

Note: When done driving Turn Off the ESC and THEN Transmitter

注意: 當停止駕駛首先要關掉電調
其次再關掉發射機

Tools required 組裝需要的工具

● Needle Nose Pliers
尖嘴鉗



● Awl
錐



● Grease
潤滑油



● Screw Cement
螺絲膠水



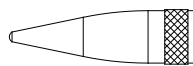
● **H162**
Instant Glue
瞬間膠水



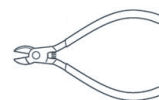
● Differential Grease
差速油



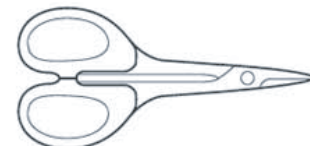
● **H154**
Body Reamer
車殼紋刀



● Wire Cutters
鋼絲鉗



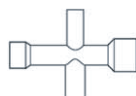
● **H096**
ROUND CUTTER
剪刀



● Hex Wrench
六角扳手



● Hex Wrench
十字套筒



● Sharp Hobby knife
美工刀



No need to pre-drill precise holes
(1mm to 15mm) can be drilled
可以對預鑽的孔準確地鑽1mm-15mm

For trimming bodies!
用于修剪車殼!

1 Gear Differential
齿轮差动

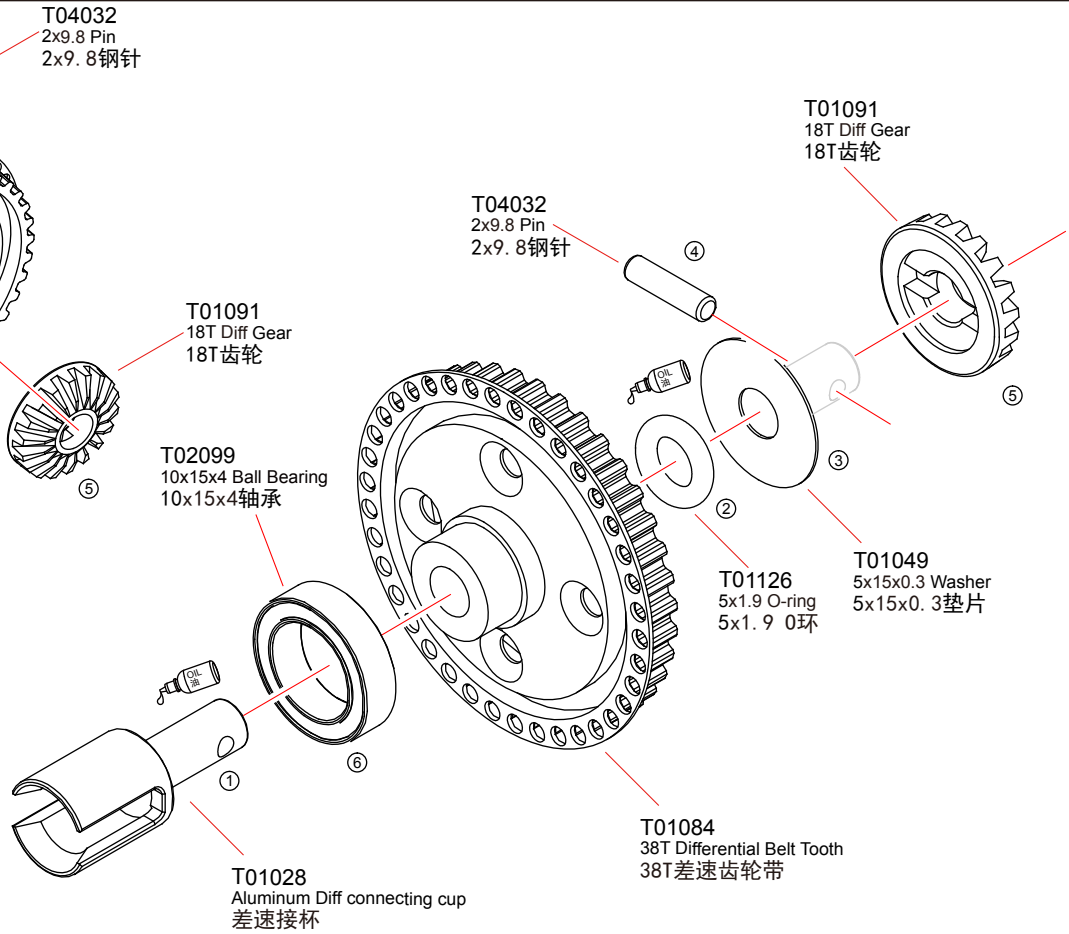
Bag-A

T02099 10x15x4 Ball Bearing
10x15x4轴承

T04032 2x9.8 Pin
2x9.8钢针

T01049 5x15x0.3 Washer
5x15x0.3垫片

T01126 5x1.9 O-Ring
5x1.9 O环



2 Gear Differential
齿轮差动

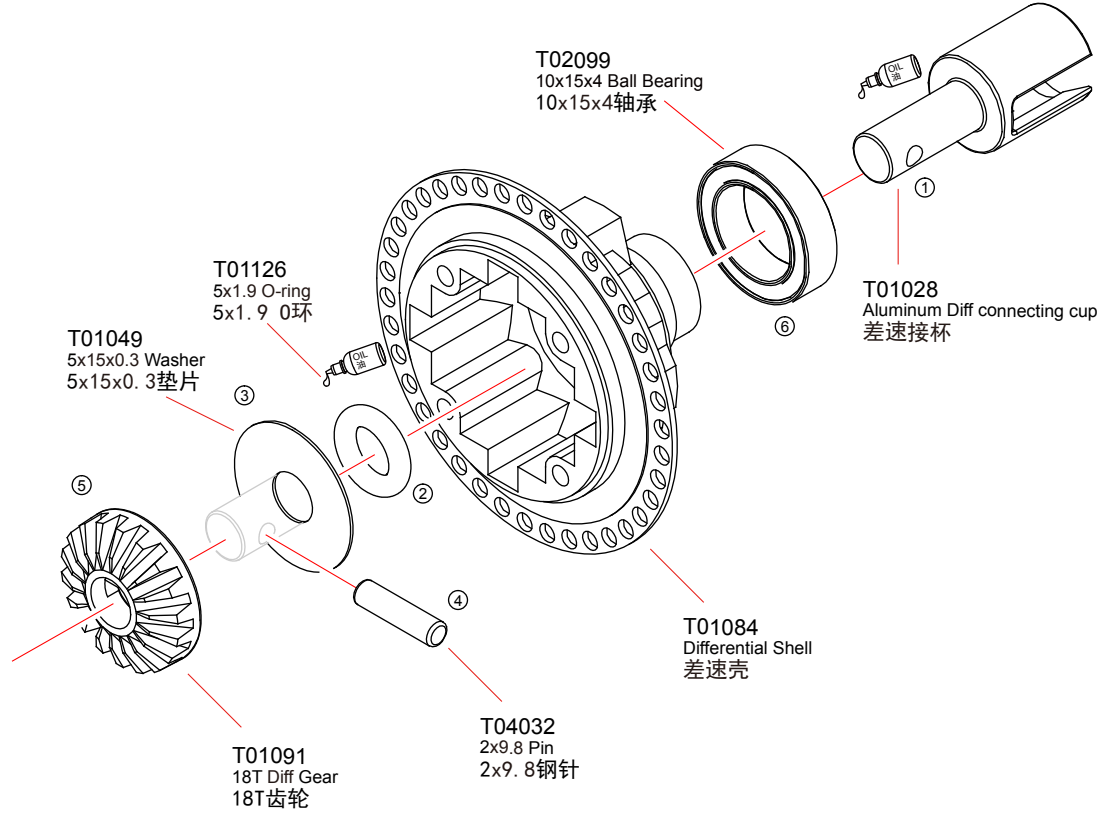
Bag-A

T02099 10x15x4 Ball Bearing
10x15x4轴承

T04032 2x9.8 Pin
2x9.8钢针

T01049 5x15x0.3 Washer
5x15x0.3垫片

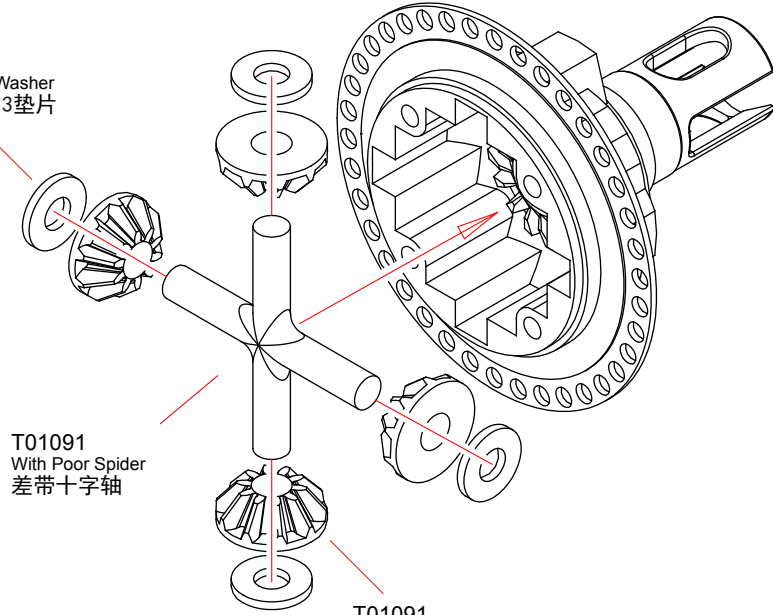
T01126 5x1.9 O-Ring
5x1.9 O环



3 Gear Differential
齿轮差动

Bag-A

T01049
3.5x10x0.3 Washer
3.5x10x0.3垫片



T01091
With Poor Spider
差带十字轴

T01091
10T Diff Gear
10T差速内齿

T01049 3.5x10x0.3 Washer
3.5x10x0.3垫片

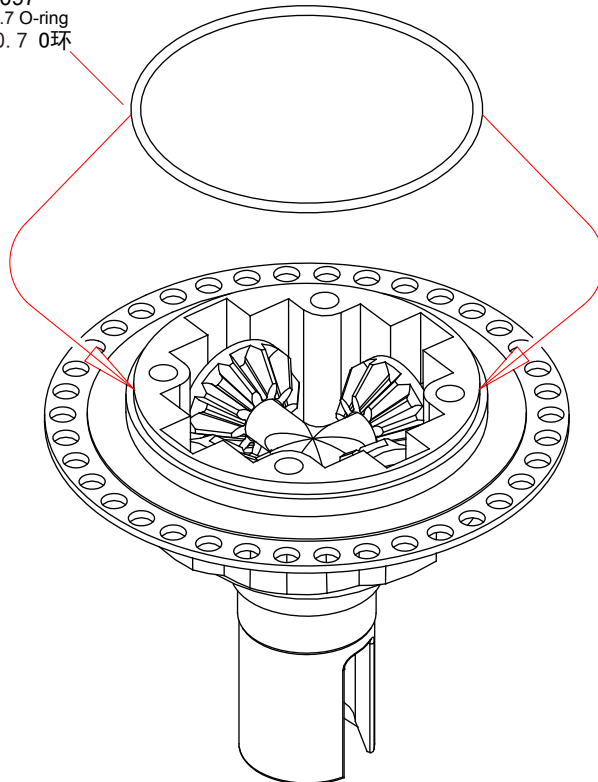


.....4

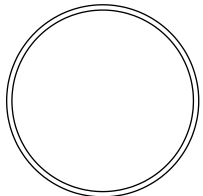
4 Gear Differential
齿轮差动

Bag-A

T01097
24x0.7 O-ring
24x0.7 O环



T01097 24x0.7 O-Ring
24x0.7 O环



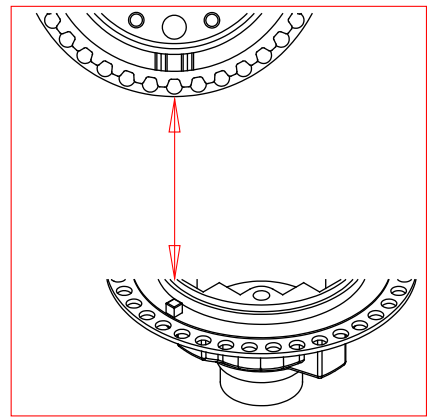
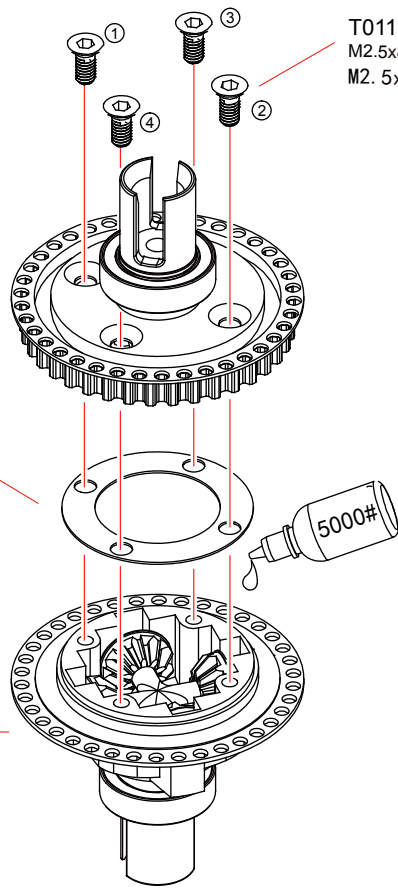
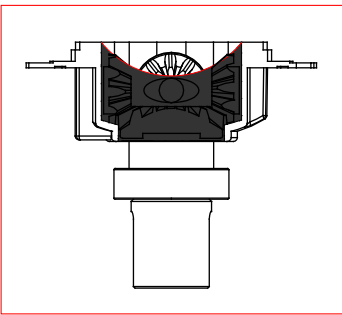
.....1

5 Gear Differential
齿轮差动 **Bag-A**

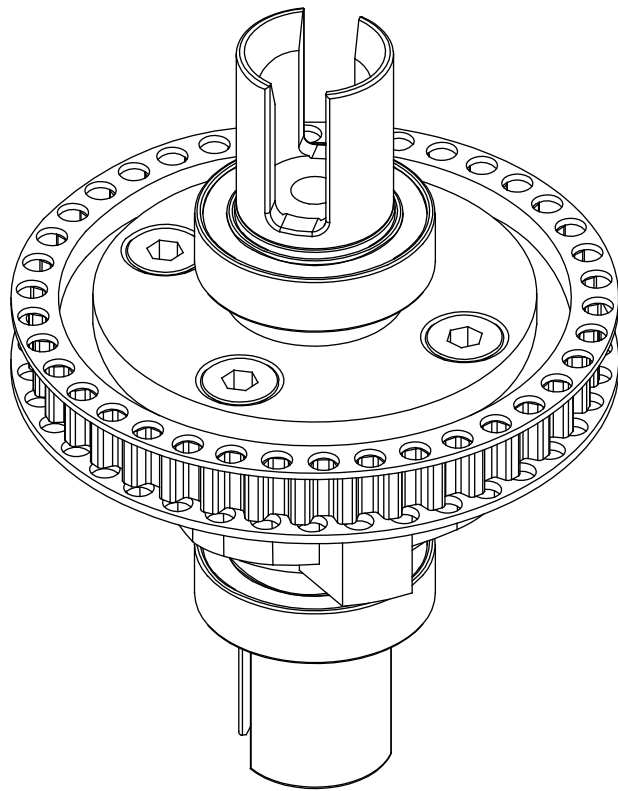
T01117 M2.5x8 Screw
M2.5x8螺丝4

T01117
M2.5x8 Screw
M2.5x8螺丝

T01097
Diff Leakproof Spacer
差速防漏垫片



6 Gear Differential
齿轮差动 **Bag-A**



T02099
10x15x4 Ball Bearing
10x15x4轴承

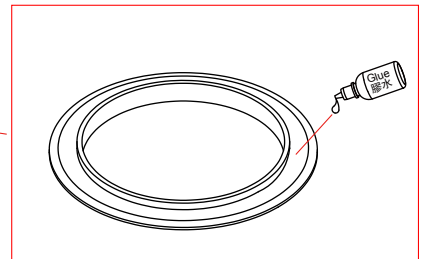
T01085
Plastic Straight Shaft
塑胶直轴

T01080
Diff Connecting Cup
差速接杯

T01115
M3x10 Screw
M3x10螺丝

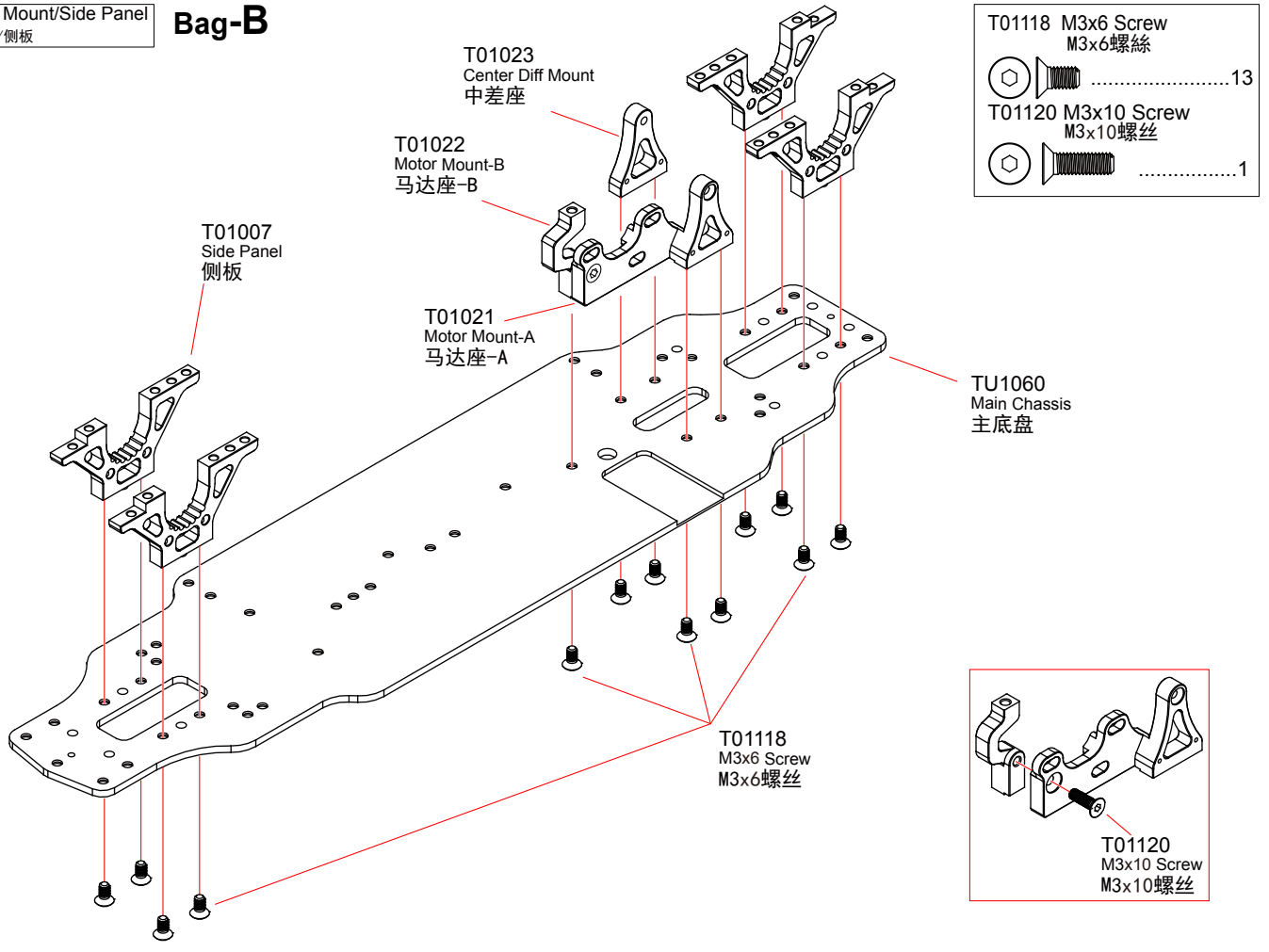
T01085
Straight Shaft Gear Ring
直轴齿轮环

T01115 M3x10 Screw M3x10螺丝2
T02099 10x15x4 Ball Bearing 10x15x4轴承2



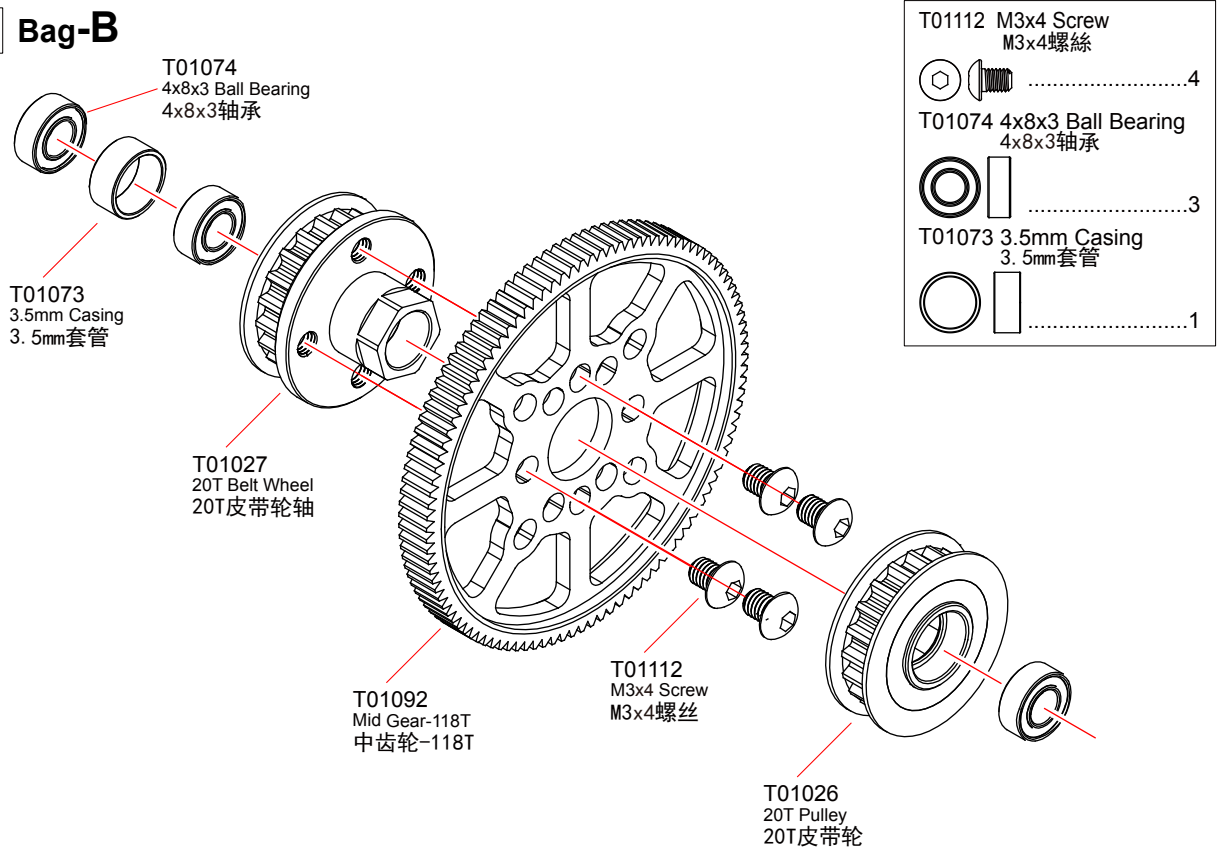
8 Motor Mount/Side Panel
马达座/侧板

Bag-B



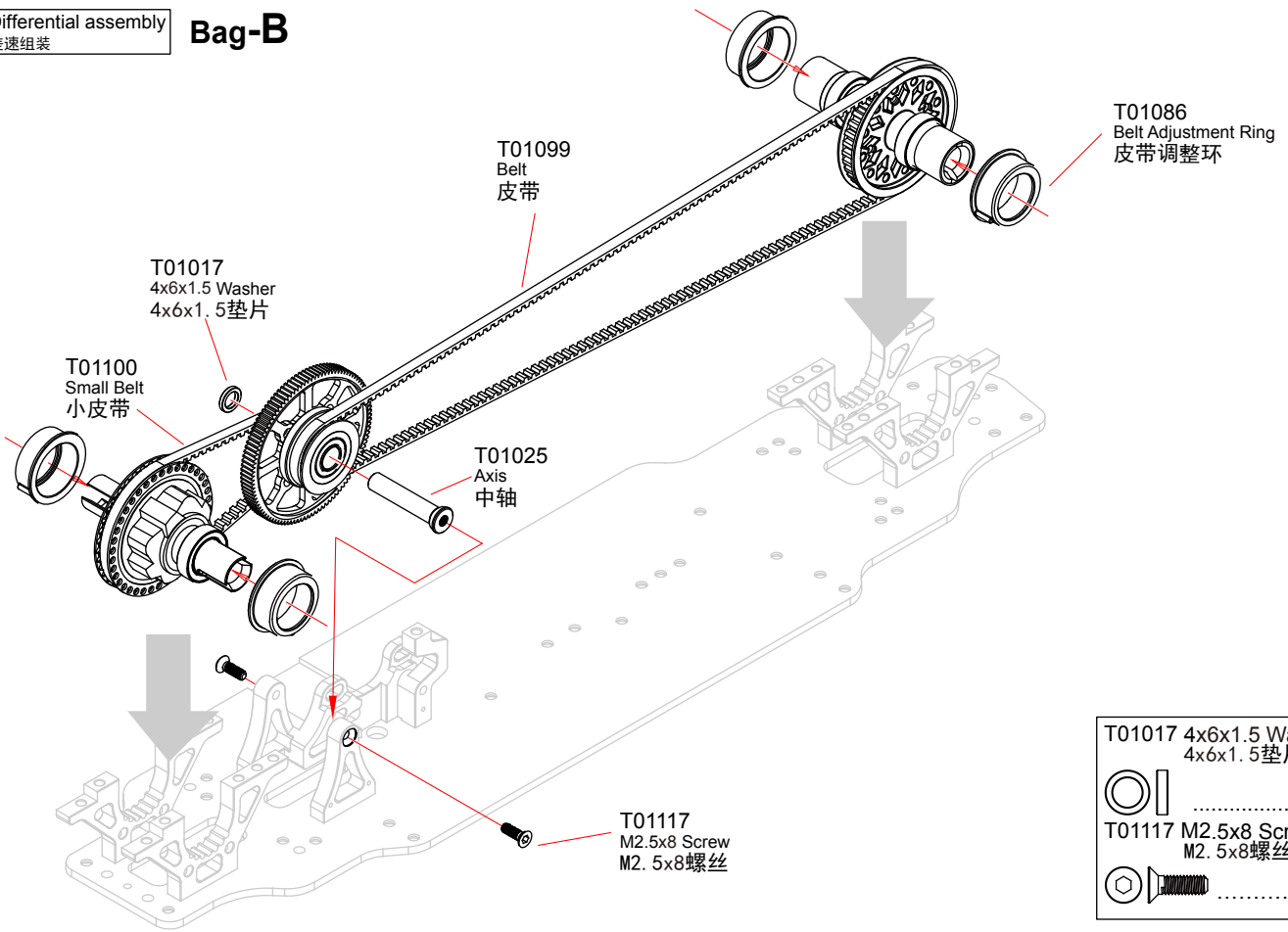
9 Center Gear Adaptor
中心齿轮适配器

Bag-B



10 Differential assembly
差速组装

Bag-B

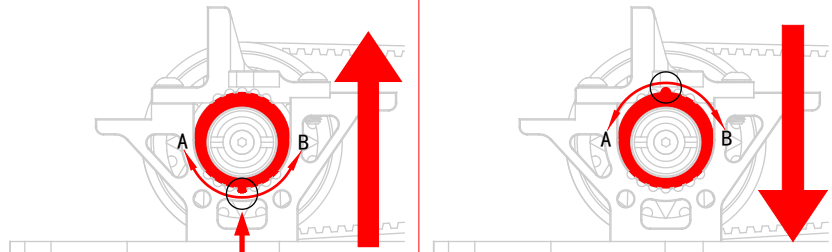


11 Differential assembly
差速组装

Bag-B

Front diff upper position provides more steering but provides less front traction. Recommended for medium-high grip tracks and technical tracks.
上层位置提供更多前差速转向但提供更少的前牵引。推荐用于中-高抓地赛道中控制。

Front diff low position provides more front traction but makes the car more push on power. Recommended for low traction track.
提供更低的位置前面差速前牵引但使汽车更多的推动力量。推荐用于低抓地赛道。

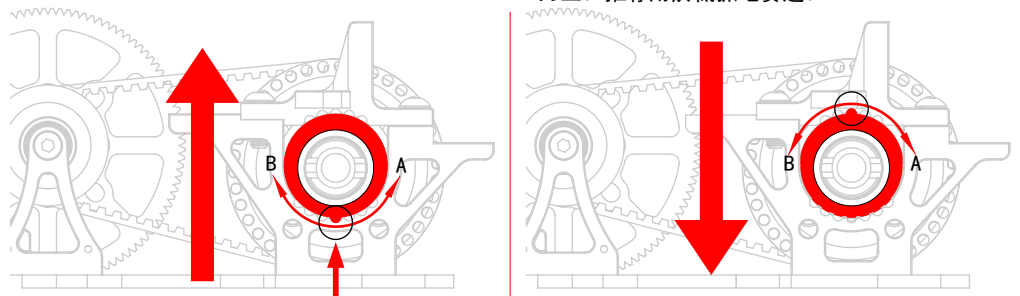


TO LOOSEN FRONT BELT: Rotate both front nylon hubs in arrow direction A
TO TIGHTEN FRONT BELT: Rotate both front nylon hubs in arrow direction B

INITIAL POSITION
PLACE TAB IN THIS BOTTOM NOTCH

Rear diff upper position provides more on-power steering but makes the rear slightly more loose. Recommended for medium-high traction tracks.
上层位置提供更多后方差速权力转向但让后方略微宽松的。推荐用于中-高抓地赛道。

Rear diff lower position provides more rear traction, mainly on power traction and makes the car more stable in the chicanes, but makes the car push more on power. Recommended for low-medium traction.
提供更低的位置前面差速前牵引但使汽车更多的推动力量。推荐用于低抓地赛道。



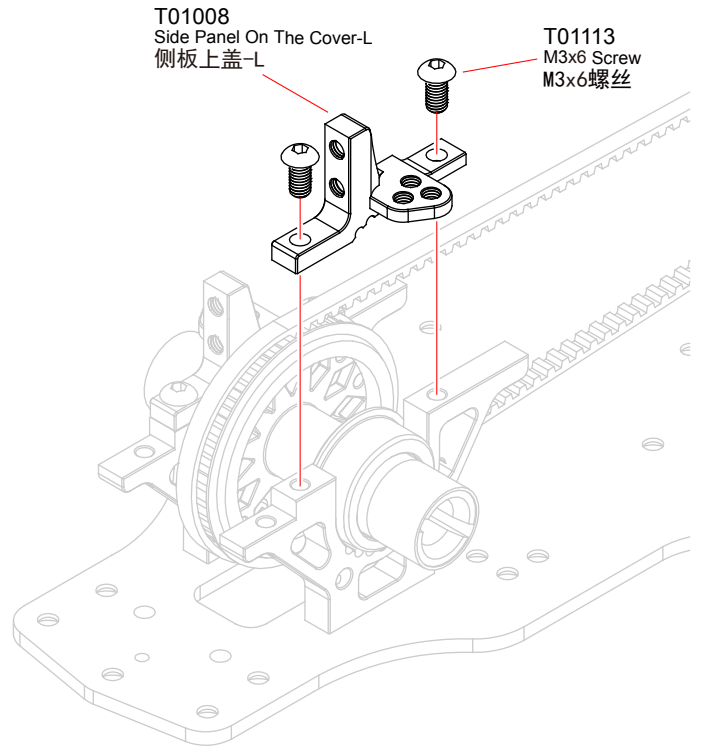
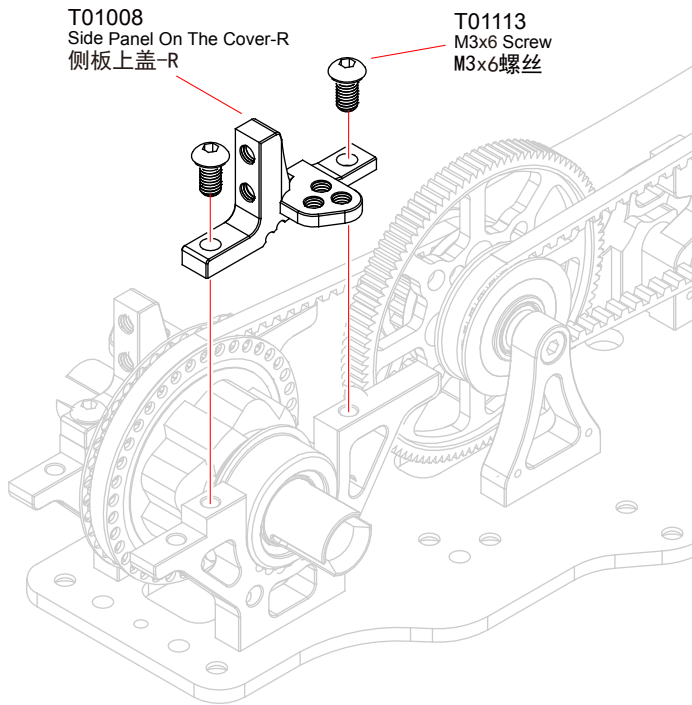
TO LOOSEN FRONT BELT: Rotate both rear nylon hubs in arrow direction A
TO TIGHTEN FRONT BELT: Rotate both rear nylon hubs in arrow direction B

INITIAL POSITION
PLACE TAB IN THIS BOTTOM NOTCH

12 Side Panel On The Cover
側板上蓋

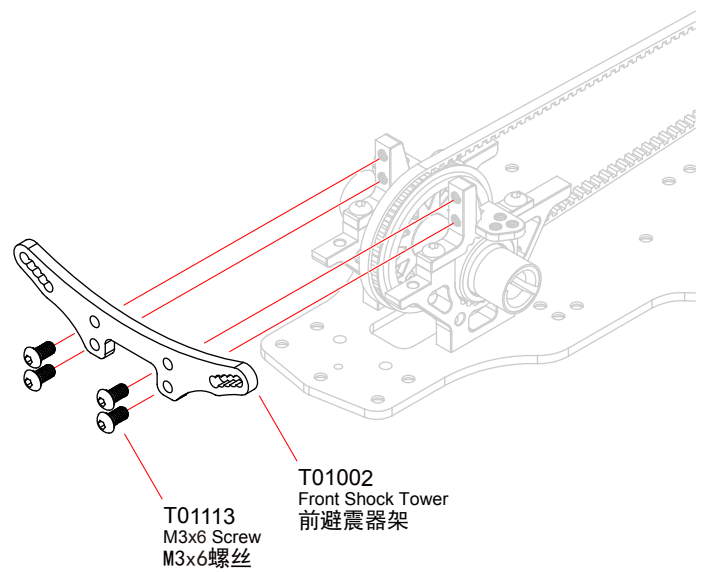
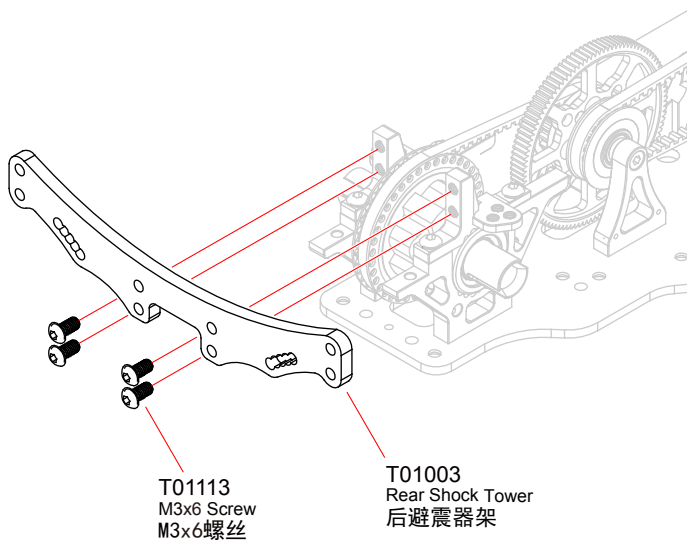
Bag-B

T01113 M3x6 Screw
M3x6 螺丝
.....8





13 Front&Rear Shock Tower
前后避震器架

Bag-B

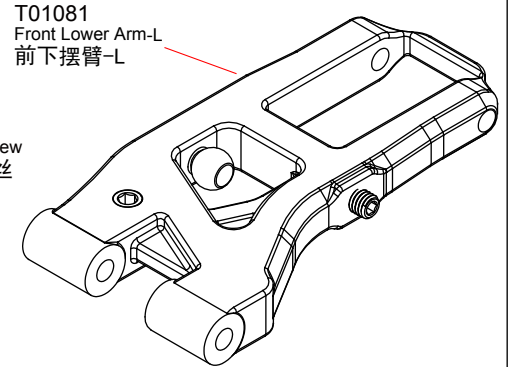
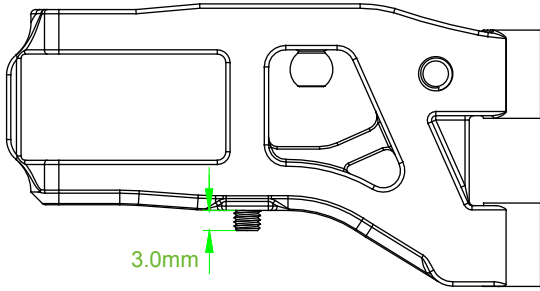
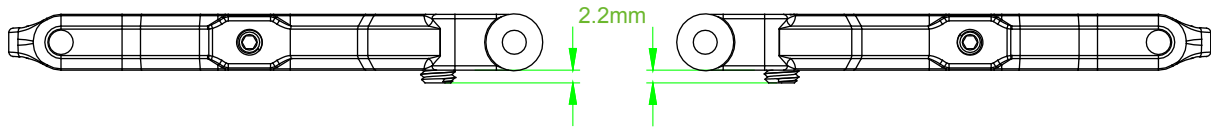


T01113 M3x6 Screw
M3x6 螺丝
.....8

 Apply threadlocker(screw cement)
打螺絲膠水

 Assemble both Left and Right
組裝左和右

14 Front Lower Arm
前下摆臂 **Bag-C**



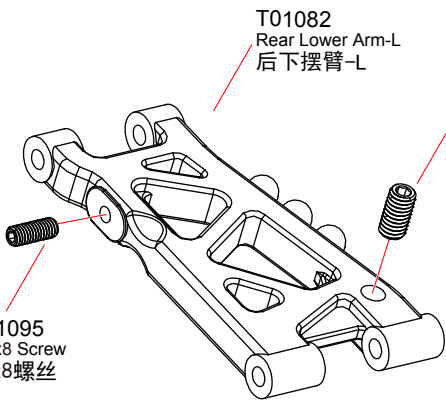
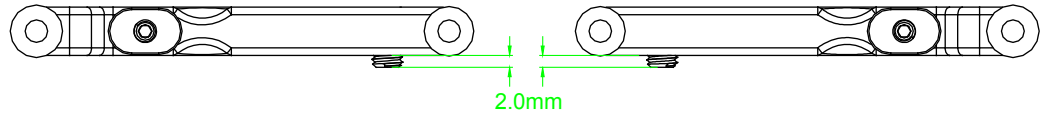
T01096
M4x8 Screw
M4x8螺丝

T01081
Front Lower Arm-R
前下摆臂-R

T01095
M3x8 Screw
M3x8螺丝

T01096 M4x8 Screw M4x8螺丝2
T01095 M3x8 Screw M3x8螺丝2

15 Rear Lower Arm
后下摆臂 **Bag-C**

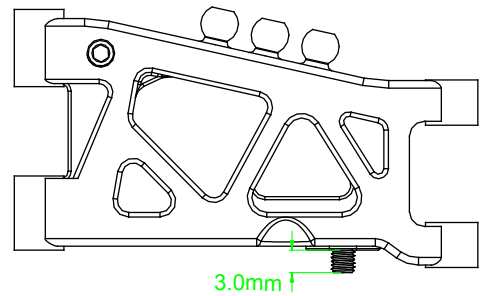


T01082
Rear Lower Arm-L
后下摆臂-L

T01096
M4x8 Screw
M4x8螺丝

T01095
M3x8 Screw
M3x8螺丝

T01082
Rear Lower Arm-R
后下摆臂-R

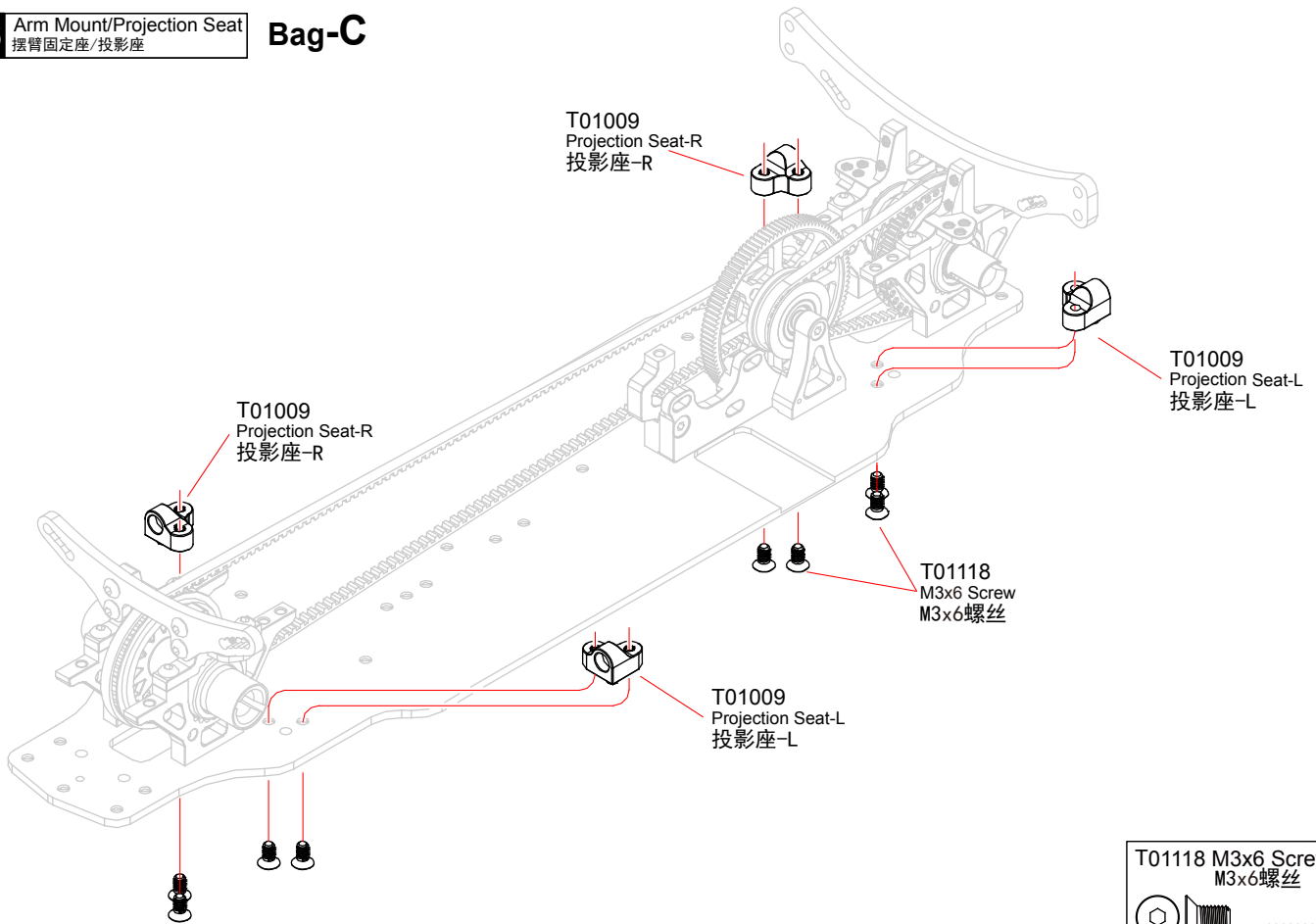


3.0mm

T01096 M4x8 Screw M4x8螺丝2
T01095 M3x8 Screw M3x8螺丝2

16 Arm Mount/Projection Seat
摆臂固定座/投影座

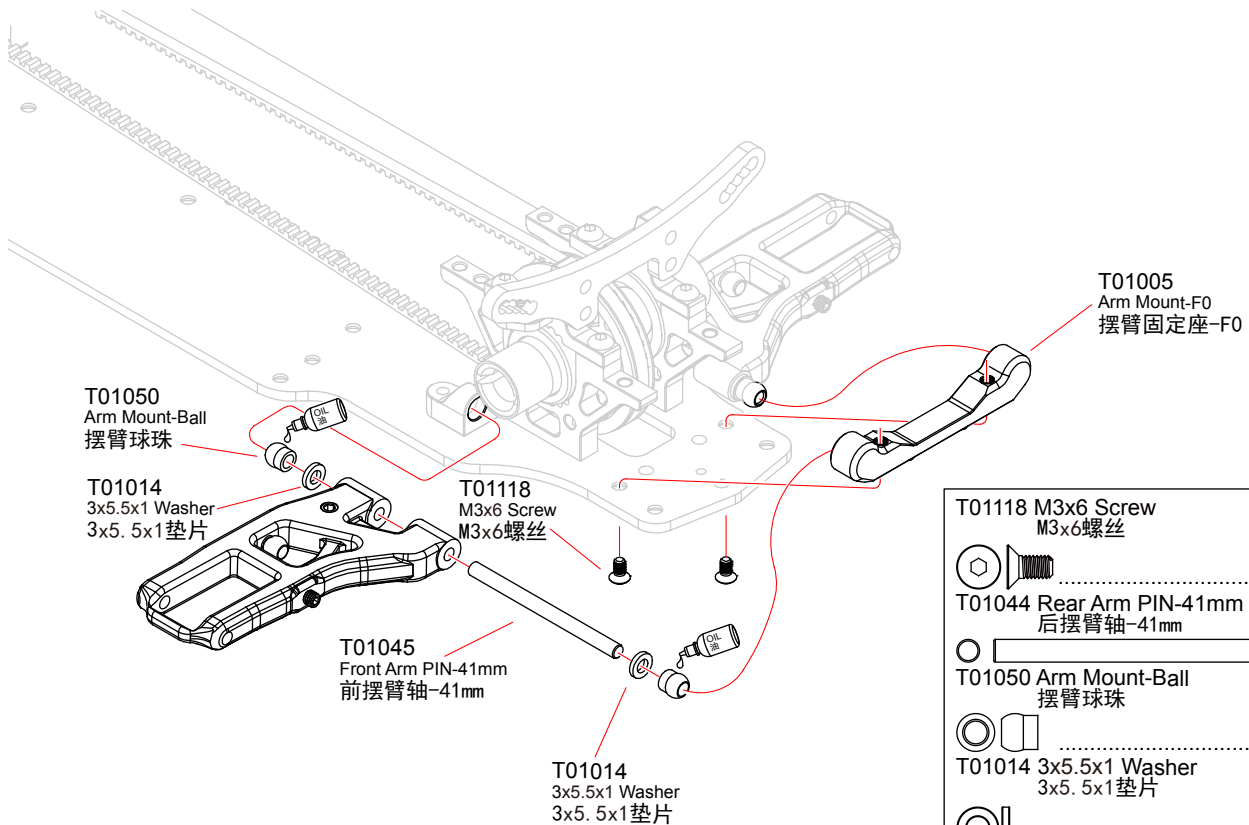
Bag-C



T01118 M3x6 Screw M3x6螺丝8
-----------------------------	--------

17 Front Lower Arm
前下摆臂

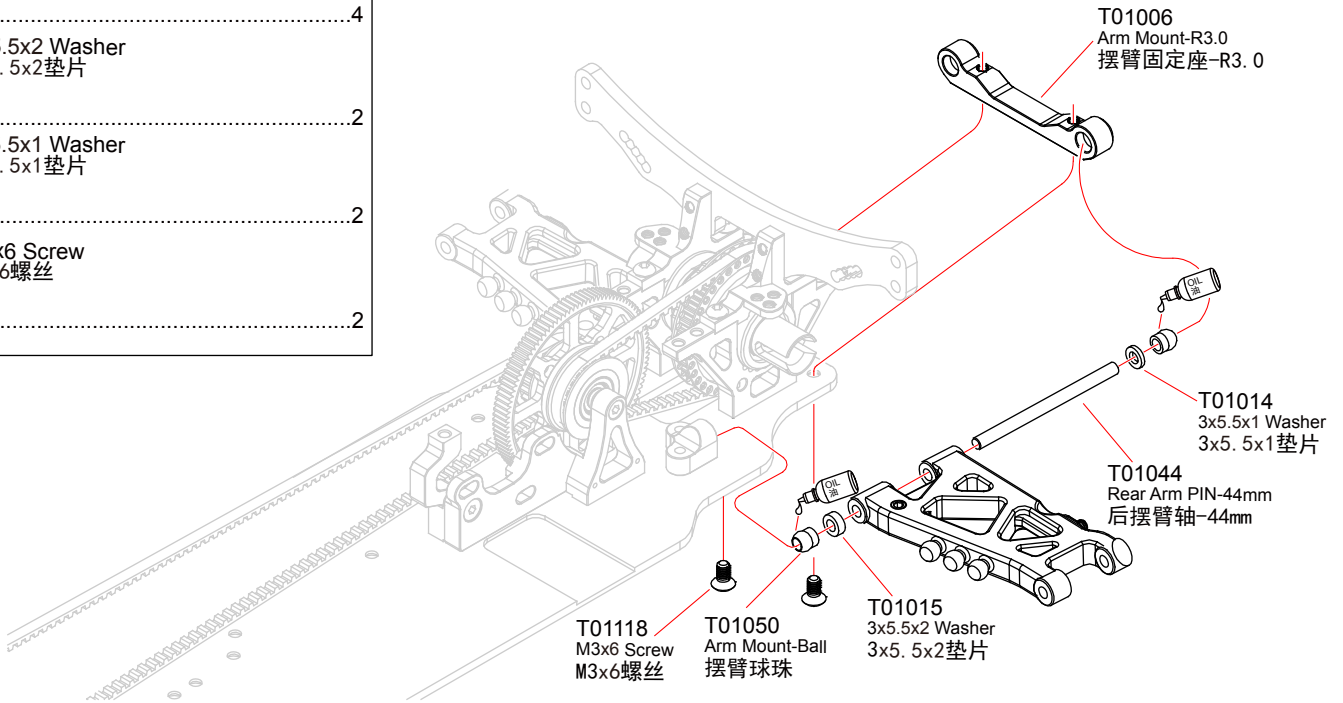
Bag-C



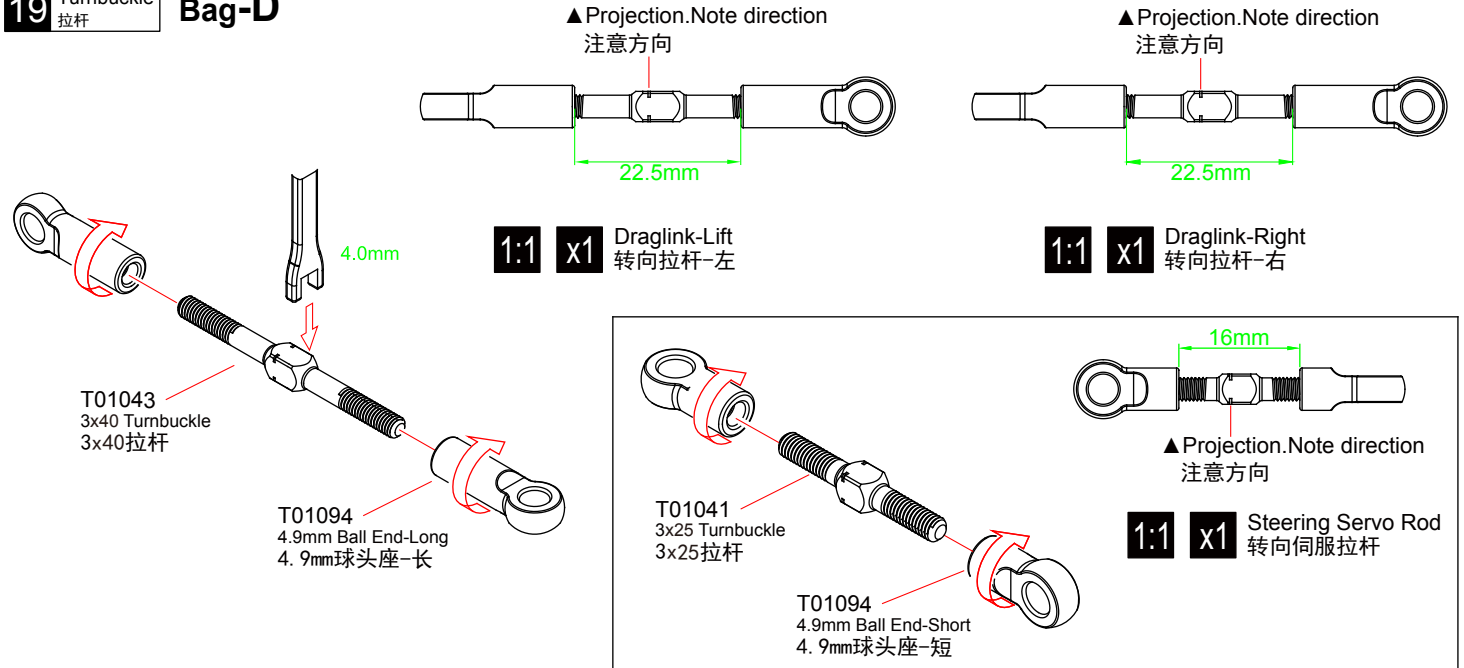
T01118 M3x6 Screw M3x6螺丝2
T01044 Rear Arm PIN-41mm 后摆臂轴-41mm2
T01050 Arm Mount-Ball 摆臂球珠4
T01014 3x5.5x1 Washer 3x5.5x1垫片4

18 Rear Lower Arm Bag-C

T01044 Rear Arm PIN-44mm 后摆臂轴-44mm2
T01050 Arm Mount-Ball 摆臂球珠4
T01015 3x5.5x2 Washer 3x5.5x2垫片2
T01014 3x5.5x1 Washer 3x5.5x1垫片2
T01118 M3x6 Screw M3x6螺丝2



19 Turnbuckle Bag-D

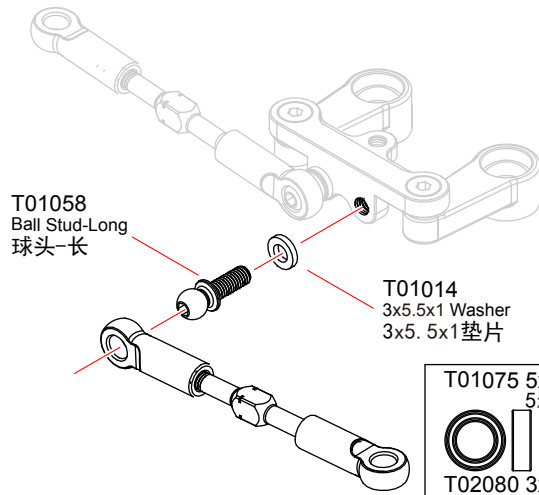
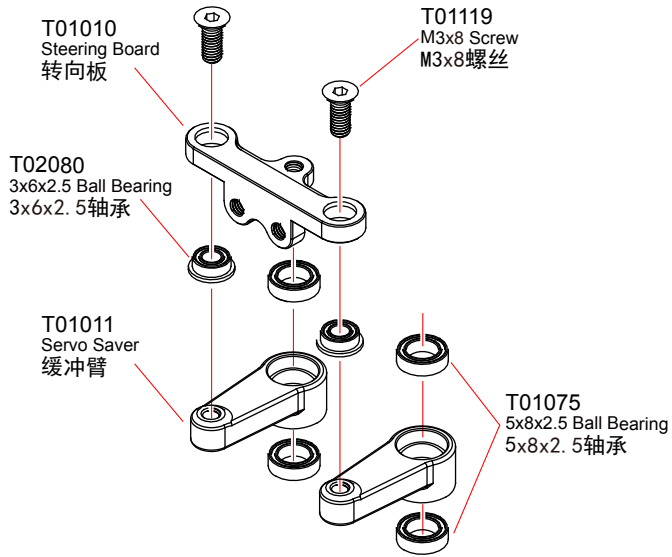


T01043 3x40 Turnbuckle 3x40拉杆2	T01041 3x25 Turnbuckle 3x25拉杆1
T01094 4.9mm Ball End-Long 4.9mm球头座-长4	T01094 4.9mm Ball End-Short 4.9mm球头座-短2

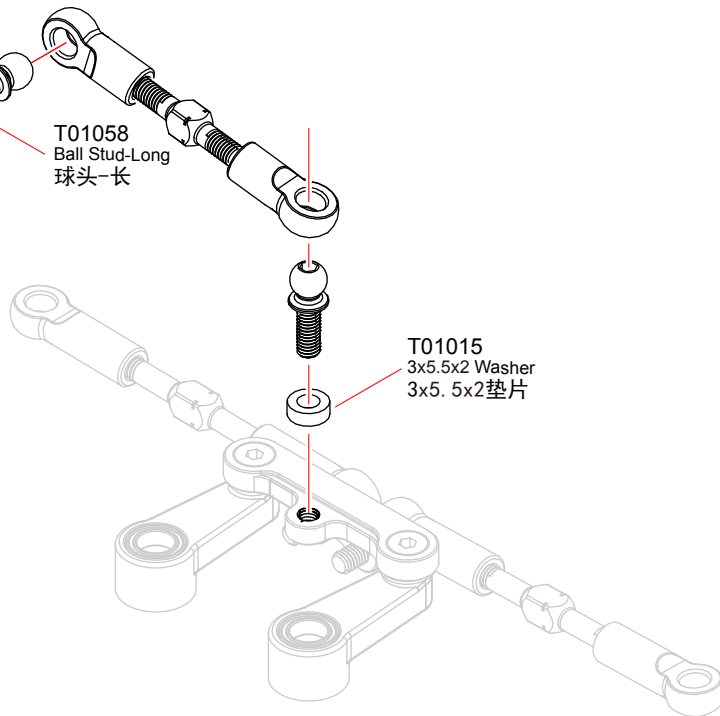
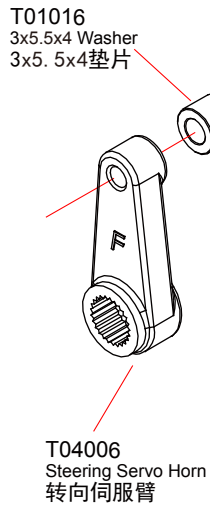
1:1 True-to-scale diagram
图形比例

x1 Assemble as many times as specified
需组裝次數

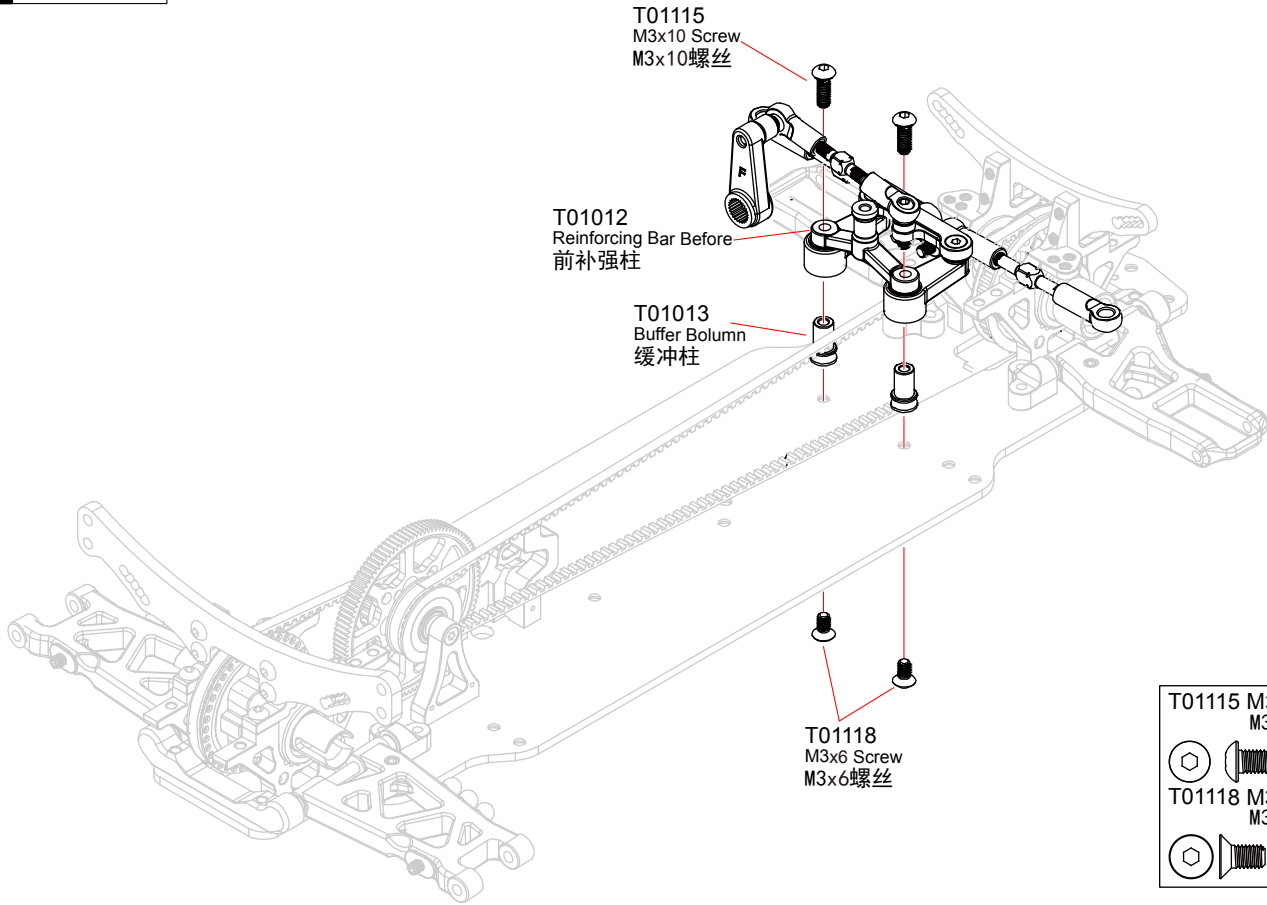
L/R Assemble both Left and Right
组裝左和右



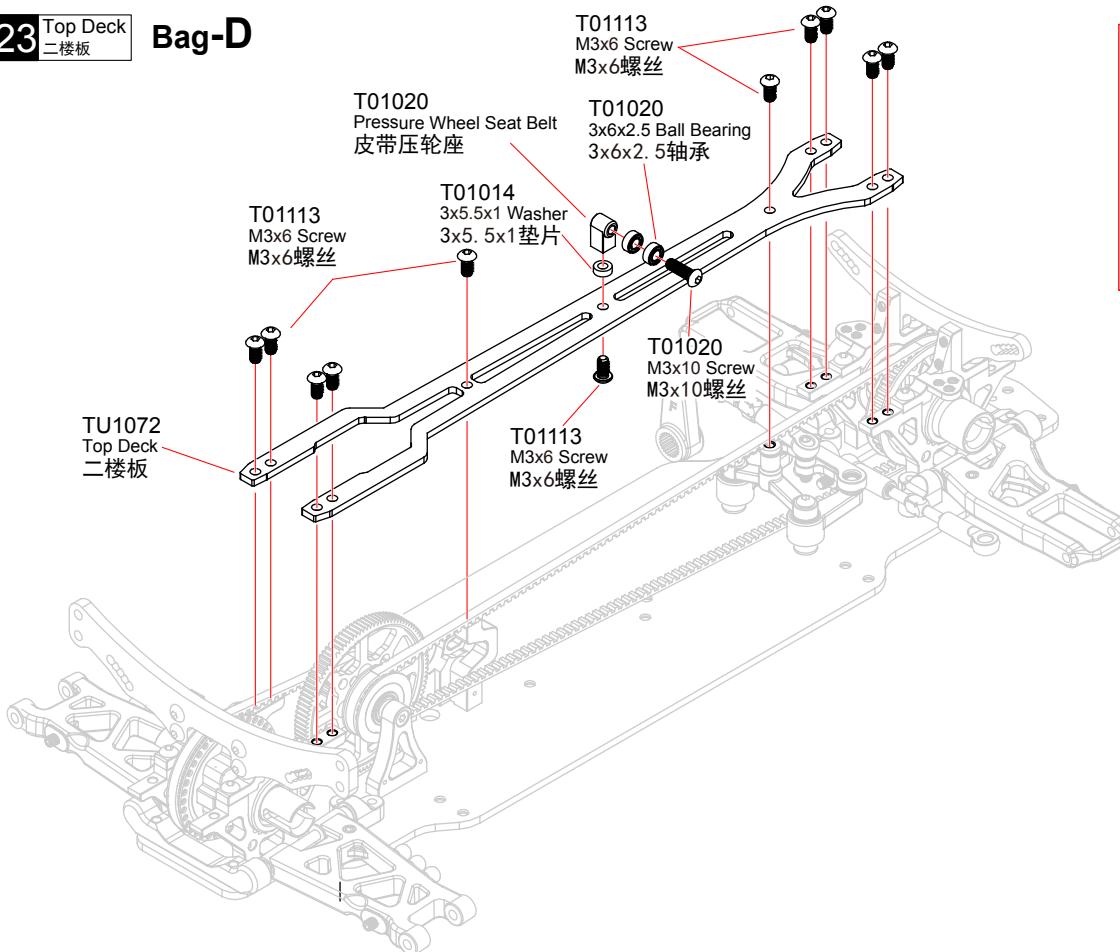
T01075 5x8x2.5 Ball Bearing 5x8x2.5轴承	4
T02080 3x6x2.5 Ball Bearing 3x6x2.5轴承	2
T01119 M3x8 Screw M3x8螺丝	2
T01014 3x5.5x1 Washer 3x5.5x1垫片	2
T01058 Ball Stud-Long 球头-长	2



T01016 3x5.5x4 Washer 3x5.5x4垫片	1
T01015 3x5.5x2 Washer 3x5.5x2垫片	1
T01058 Ball Stud-Long 球头-长	2



T01115 M3x10 Screw M3x10螺丝2
T01118 M3x6 Screw M3x6螺丝2

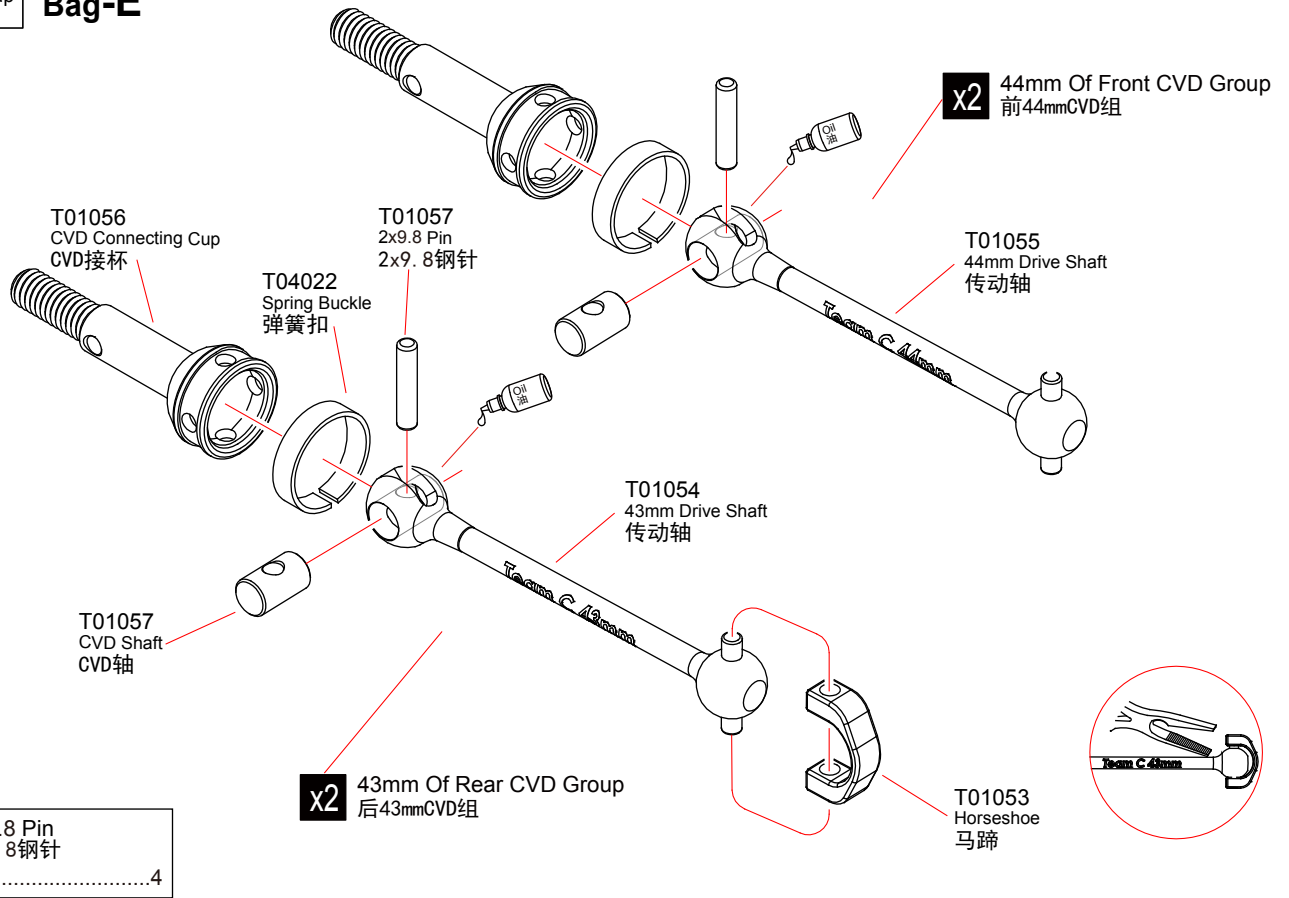


Please locking the screw, then return a quarter circle.
将螺丝锁紧，再退回1/4圈。

T01014 3x5.5x1 Washer 3x5.5x1垫片1
T01020 3x6x2.5 Ball Bearing 3x6x2.5轴承2
T01020 M3x10 Screw M3x10螺丝1
T01113 M3x6 Screw M3x6螺丝11

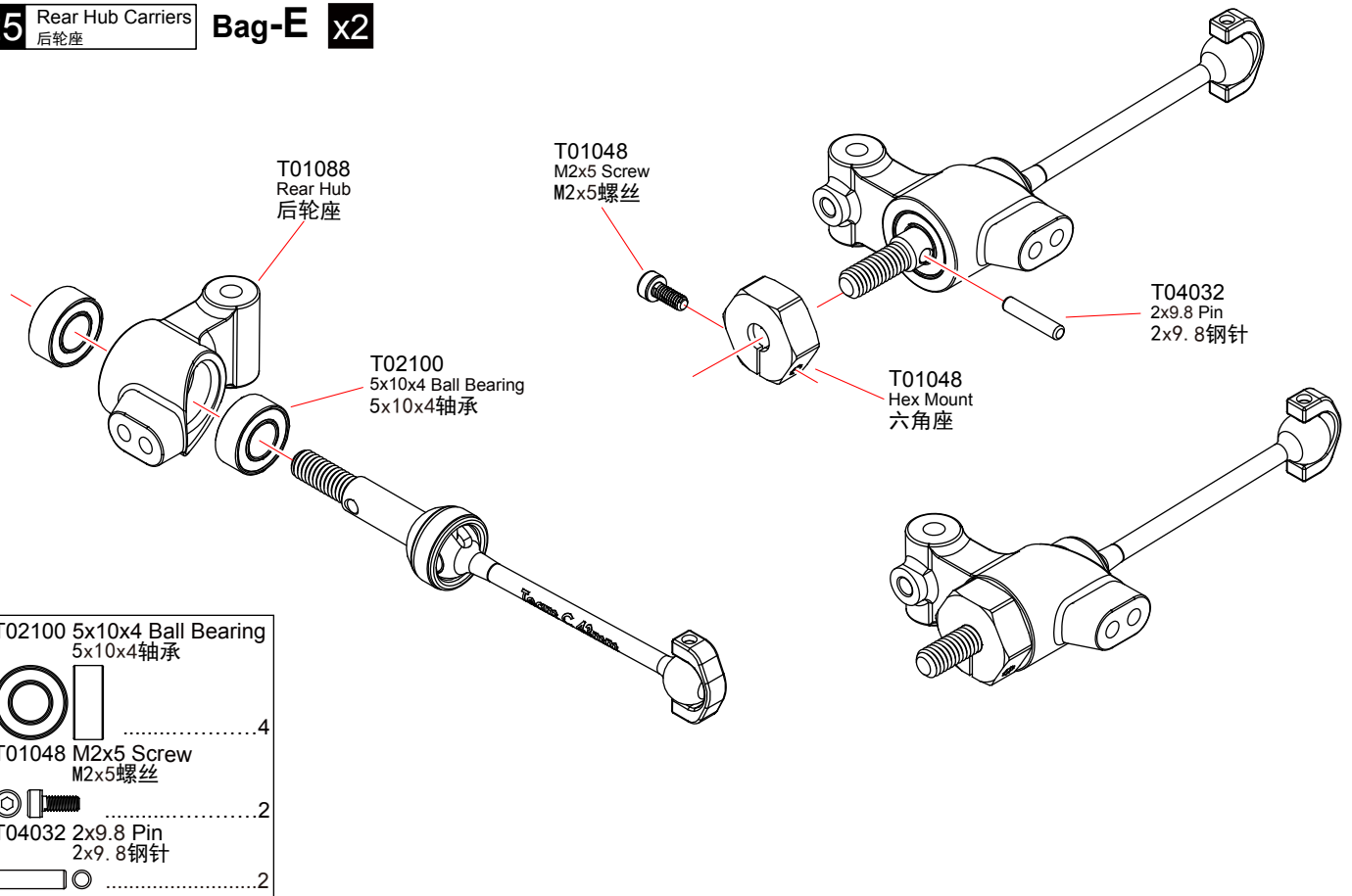
24 CVD Group
CVD组

Bag-E



25 Rear Hub Carriers
后轮座

Bag-E x2

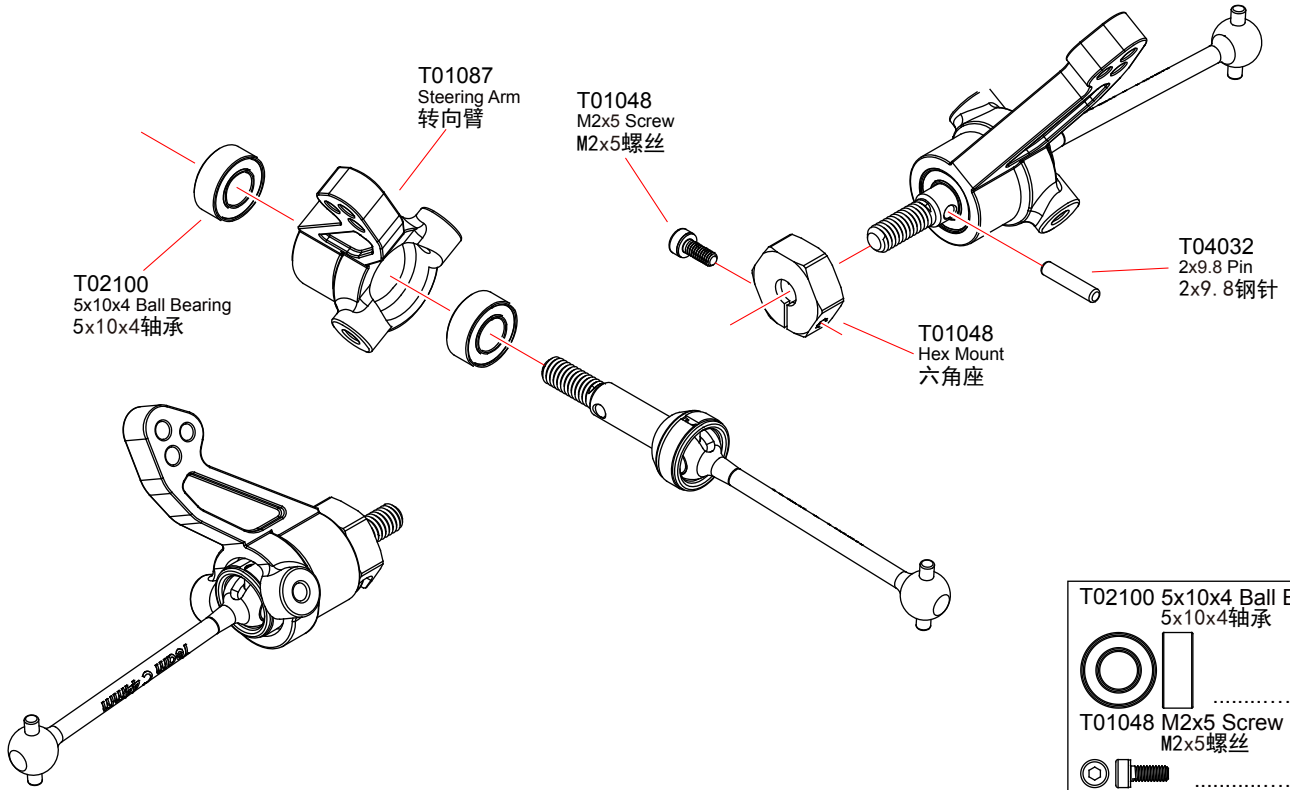


L/R Assemble both Left and Right
組裝左和右

x2 Assemble as many times as specified
需組裝數量

26 Front Hub Carriers
前轮座

Bag-E x2



T02100
5x10x4 Ball Bearing
5x10x4轴承

T01087
Steering Arm
转向臂

T01048
M2x5 Screw
M2x5螺丝

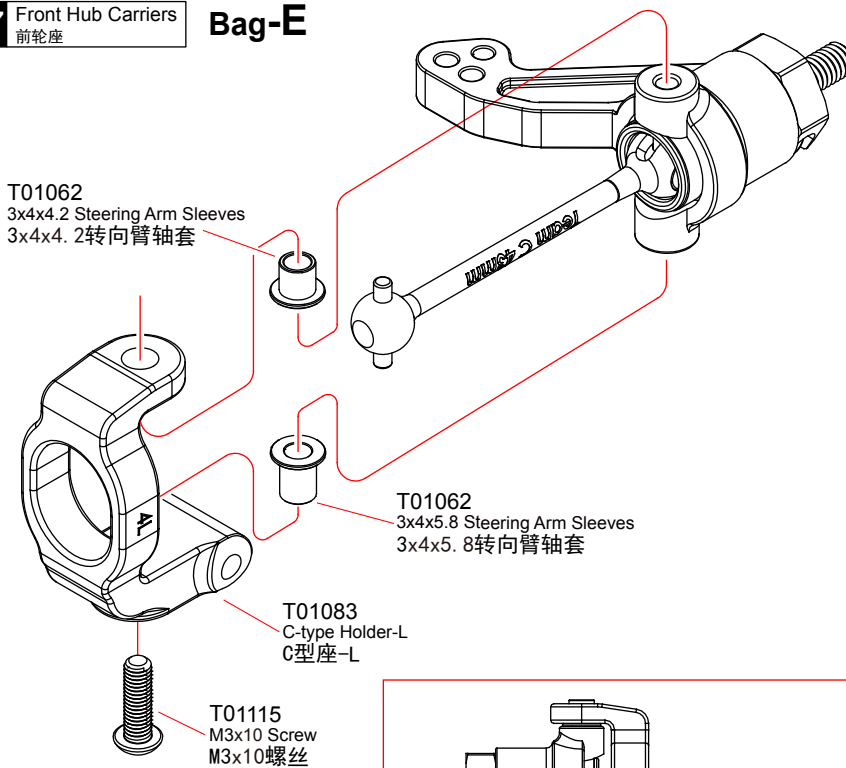
T01048
Hex Mount
六角座

T04032
2x9.8 Pin
2x9.8钢针

T02100 5x10x4 Ball Bearing 5x10x4轴承	4
T01048 M2x5 Screw M2x5螺丝	2
T04032 2x9.8 Pin 2x9.8钢针	2

27 Front Hub Carriers
前轮座

Bag-E



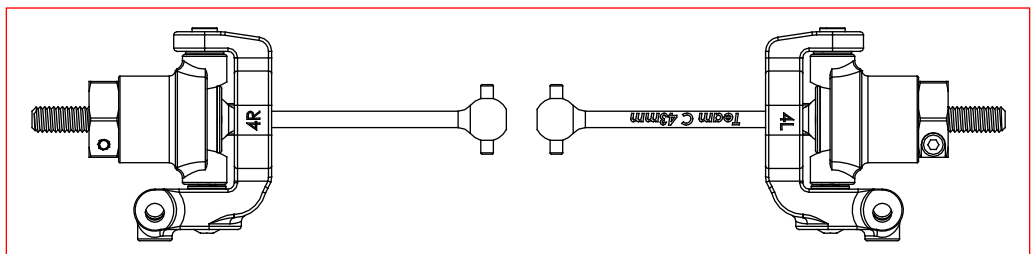
T01062
3x4x4.2 Steering Arm Sleeves
3x4x4.2转向臂轴套

T01062
3x4x5.8 Steering Arm Sleeves
3x4x5.8转向臂轴套

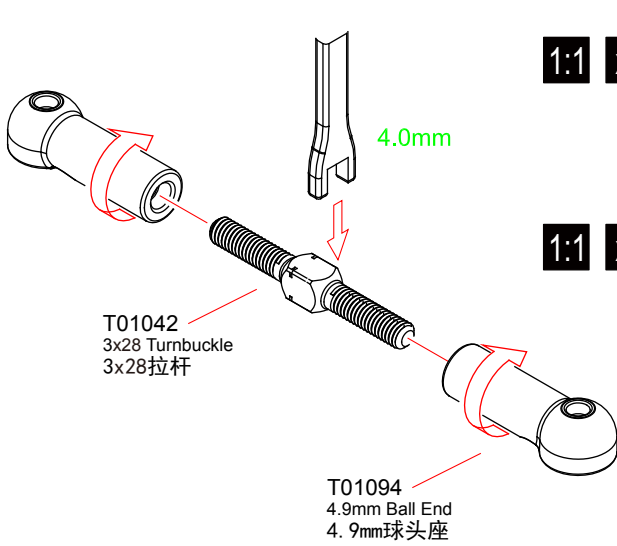
T01083
C-type Holder-L
C型座-L

T01115
M3x10 Screw
M3x10螺丝

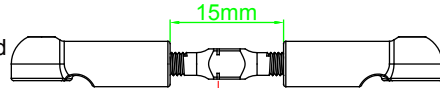
T01062 3x4x4.2 Steering Arm Sleeves 3x4x4.2转向臂轴套	2
T01062 3x4x5.8 Steering Arm Sleeves 3x4x5.8转向臂轴套	2
T01115 M3x10 Screw M3x10螺丝	2



28 Turnbuckle 拉杆 Bag-E

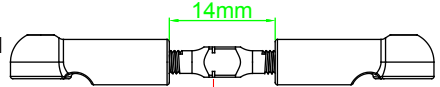


1:1 x2 Front Upper Rod
前上拉杆



▲ Projection. Note direction
注意方向

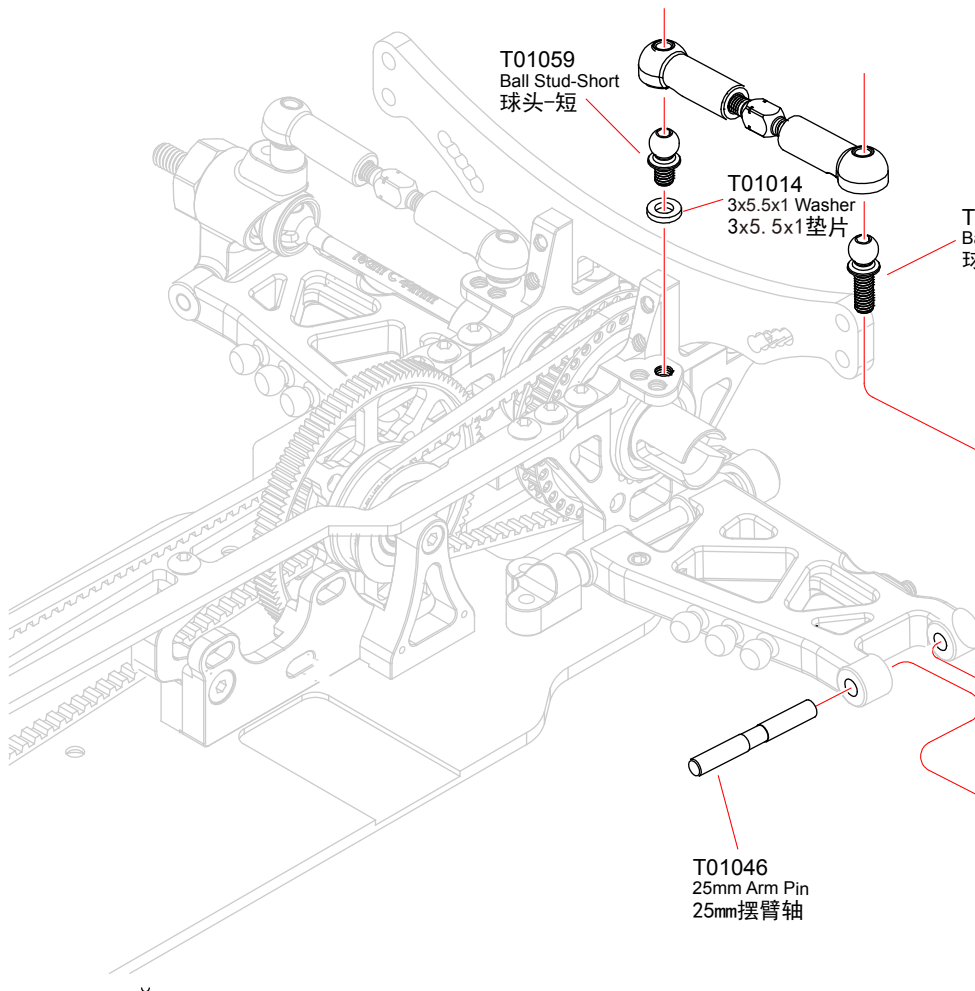
1:1 x2 Rear Upper Rod
后上拉杆



▲ Projection. Note direction
注意方向

T01042 3x28 Turnbuckle 3x28拉杆	4
T01094 4.9mm Ball End 4.9mm球头座	8

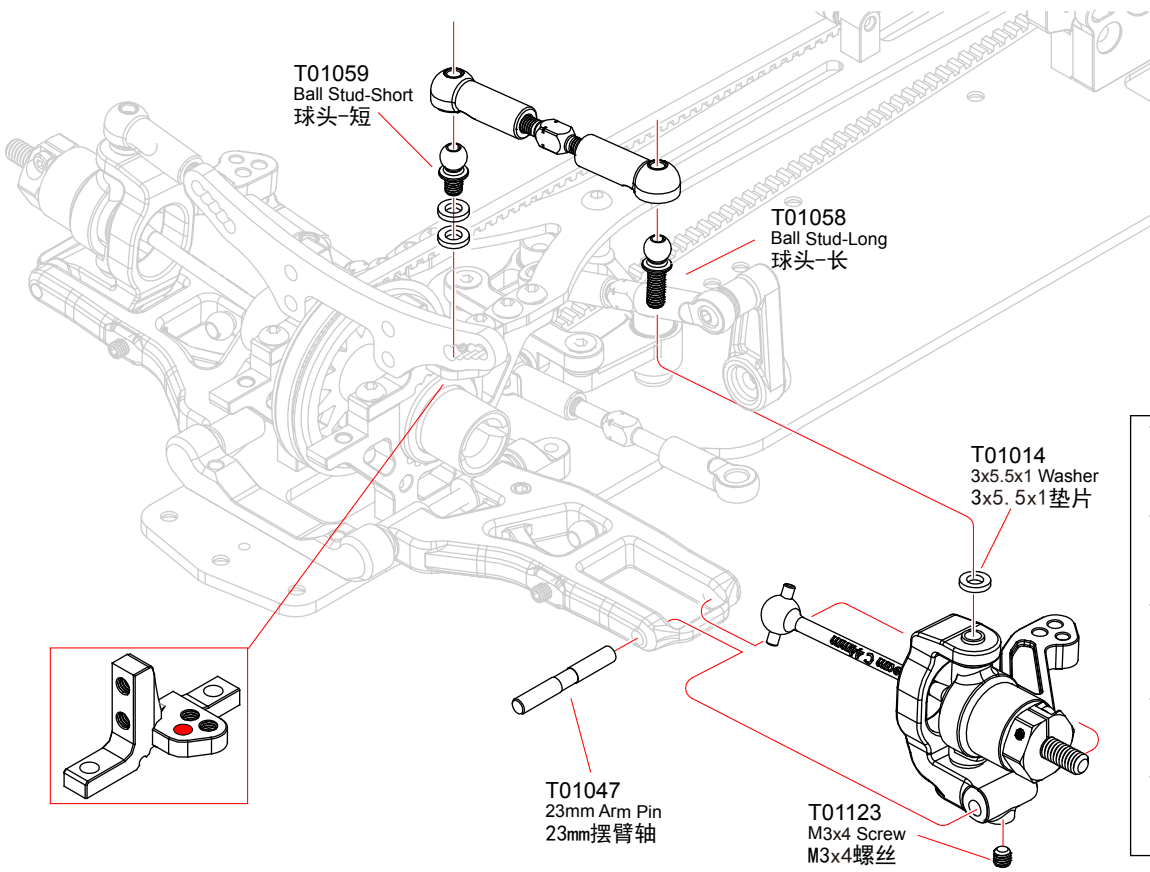
29 Rear Suspension Arm 后摆臂 Bag-E



T01014 3x5.5x1 Washer 3x5.5x1垫片	2
T01058 Ball Stud-Long 球头-长	2
T01059 Ball Stud-Short 球头-短	2
T01016 3x5.5x4 Washer 3x5.5x4垫片	2
T01123 M3x4 Screw M3x4螺丝	2
T01046 25mm Arm Pin 25mm摆臂轴	2

30 Front Suspension Arm
前摆臂

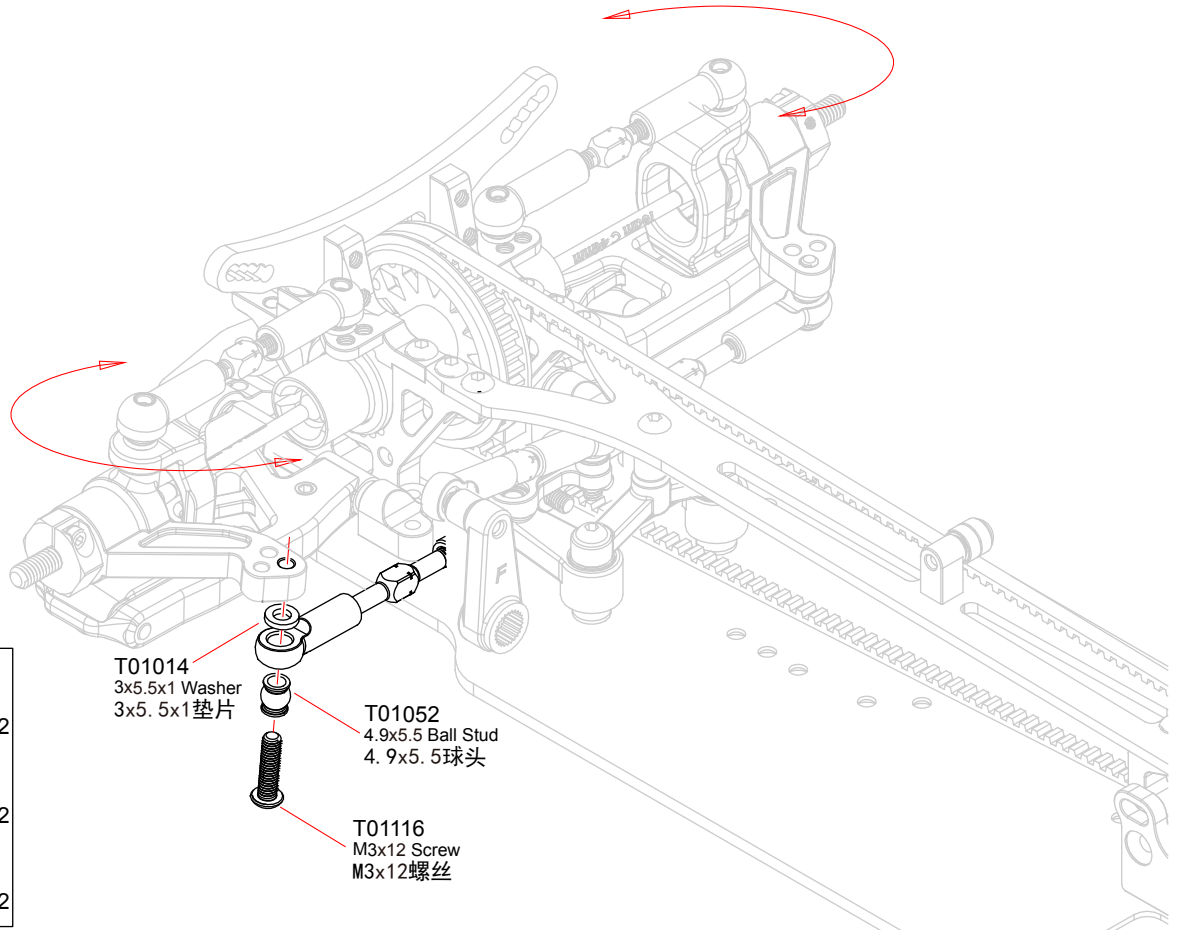
Bag-E




T01014 3x5.5x1 Washer 3x5.5x1垫片6
T01058 Ball Stud-Long 球头-长2
T01059 Ball Stud-Short 球头-短2
T01123 M3x4 Screw M3x4螺丝2
T01046 25mm Arm Pin 25mm摆臂轴2

31 Servo Arm
伺服臂

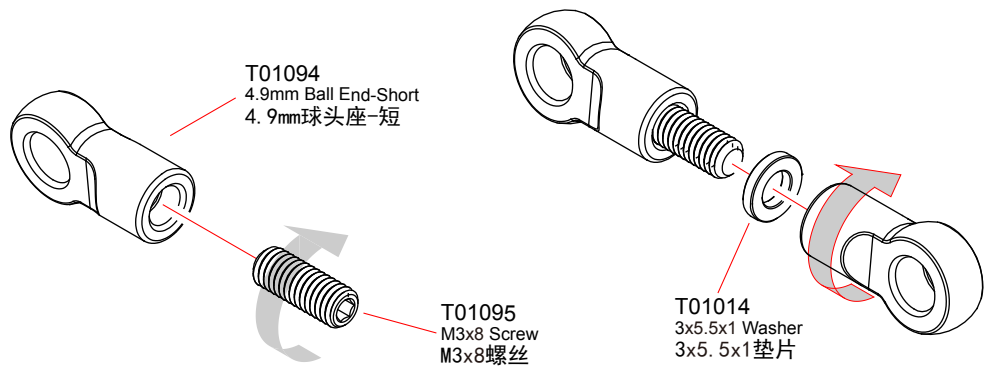
Bag-E



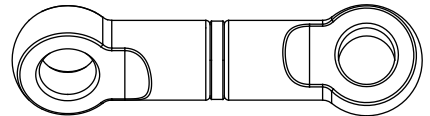
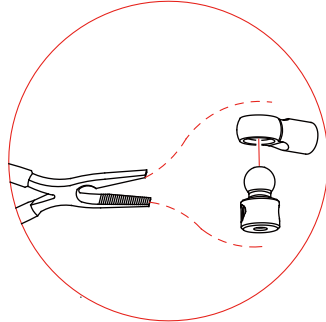
T01052 4.9x5.5 Ball Stud 4.9x5.5球头2
T01014 3x5.5x1 Washer 3x5.5x1垫片2
T01116 M3x12 Screw M3x12螺丝2

 Assemble both Left and Right
組裝左和右

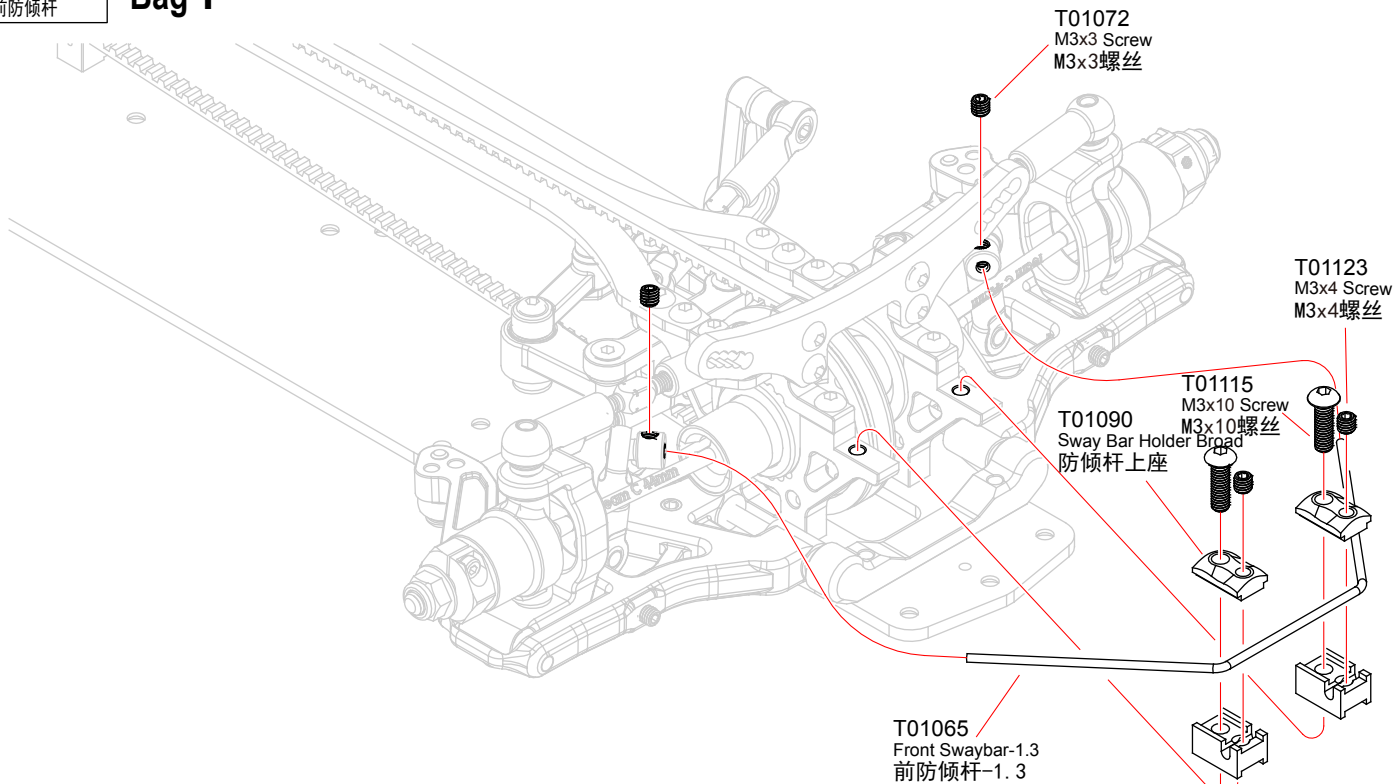
32 Turnbuckle 拉杆 Bag-F



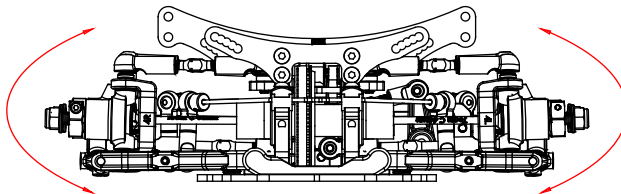
T01014 3x5.5x1 Washer 3x5.5x1垫片	4
T01094 4.9mm Ball End-Short 4.9mm球头座-短	8
T01095 M3x8 Screw M3x8螺丝	4



33 Front Swaybar 前防倾杆 Bag-F

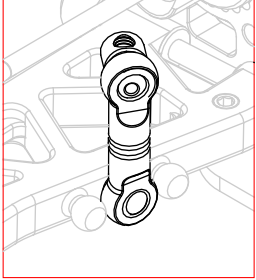


T01072 M3x3 Screw M3x3螺丝	2
T01123 M3x4 Screw M3x4螺丝	2
T01115 M3x10 Screw M3x10螺丝	2

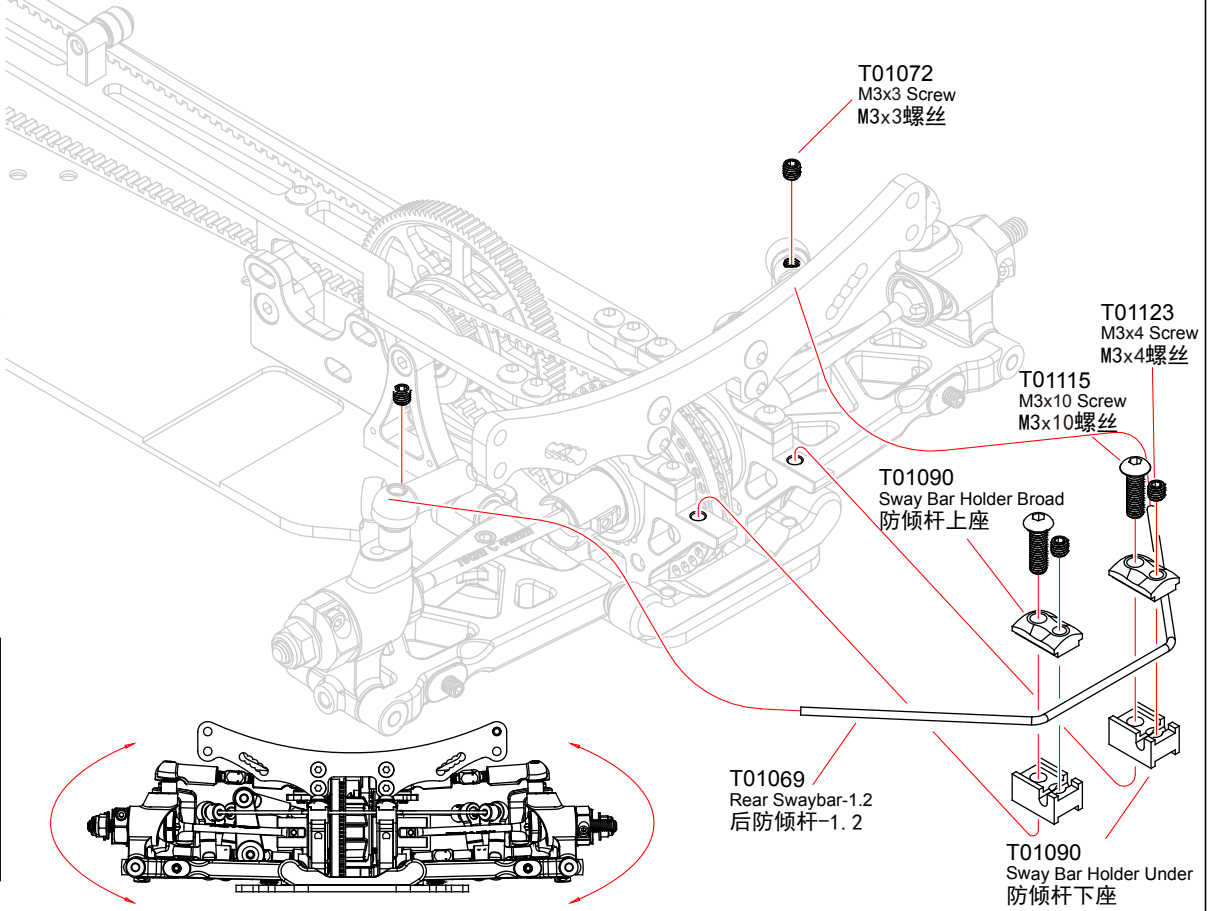


34 Rear Swaybar
后防倾杆

Bag-F

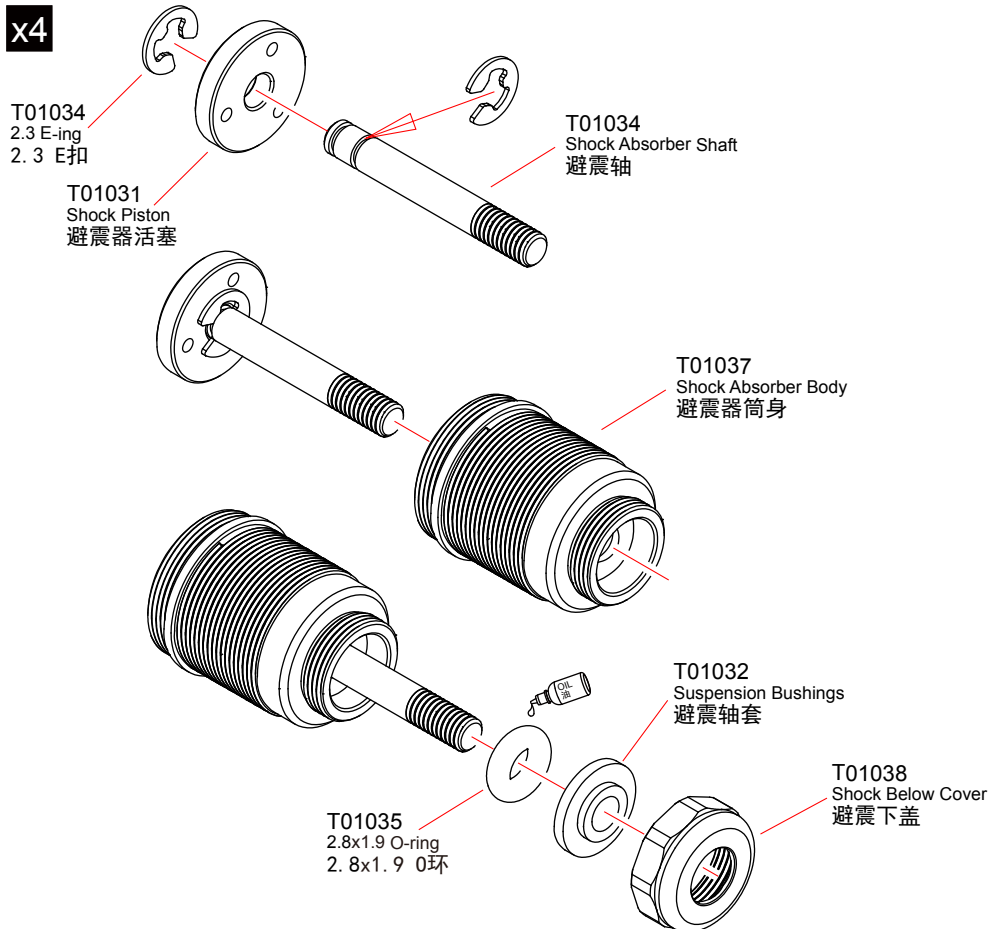


- T01072 M3x3 Screw
M3x3螺丝
- T01123 M3x4 Screw
M3x4螺丝
- T01115 M3x10 Screw
M3x10螺丝



35 Shock Absorber
避震器

Bag-G x4

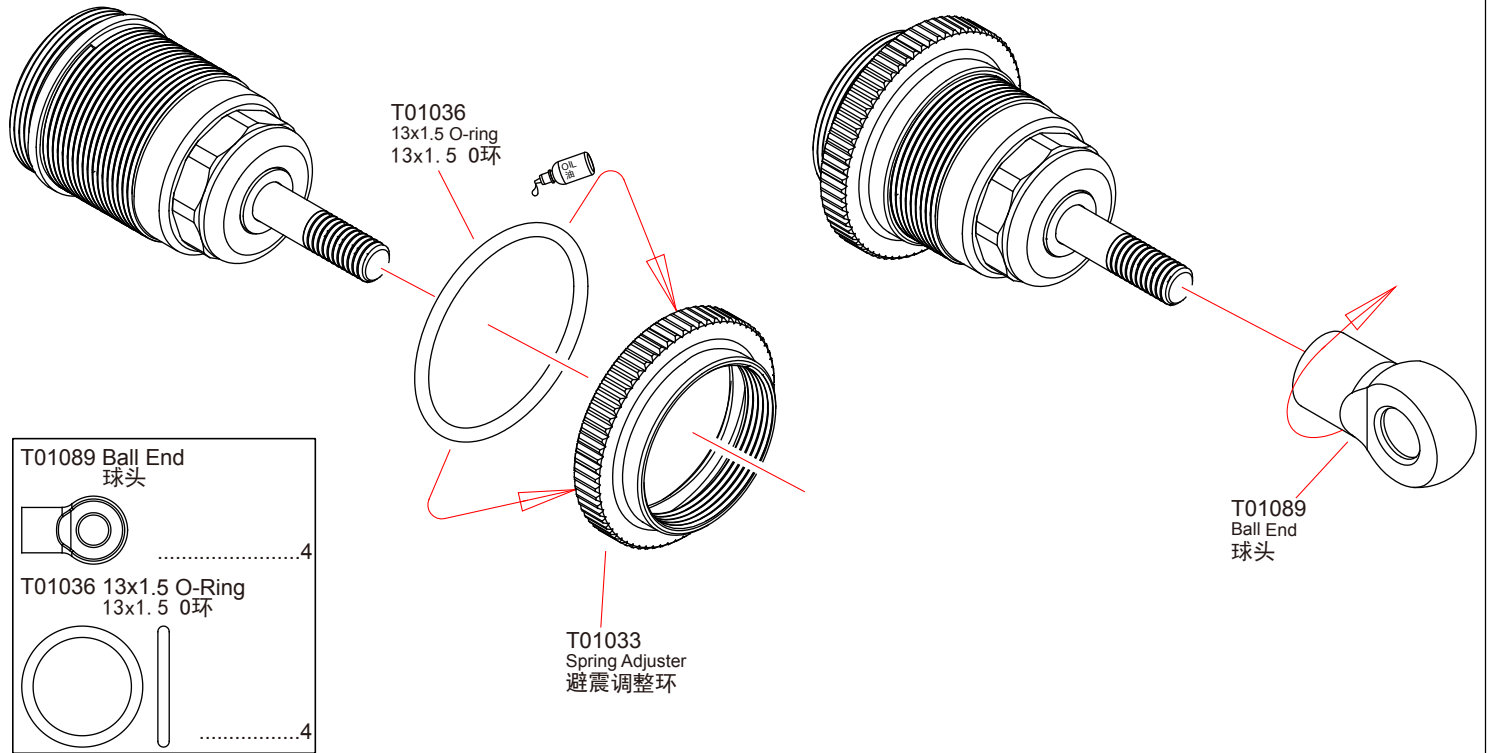


- T01031 Shock Piston
避震器活塞
- T01034 2.3 E-ing
2.3 E扣
- T01035 2.8x1.9 O-Ring
2.8x1.9 O环

x4 Assemble as many times as specified
需組裝數量

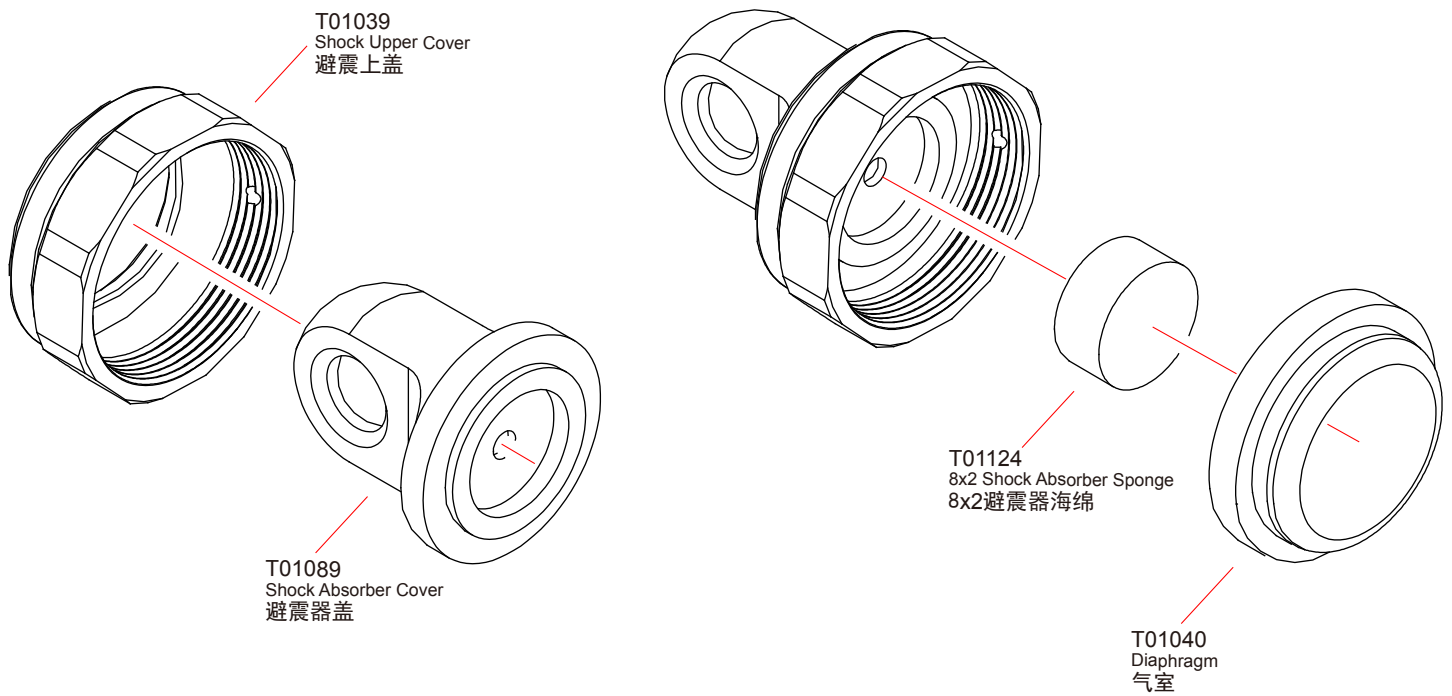
36 Shock Absorber
避震器

Bag-G x4



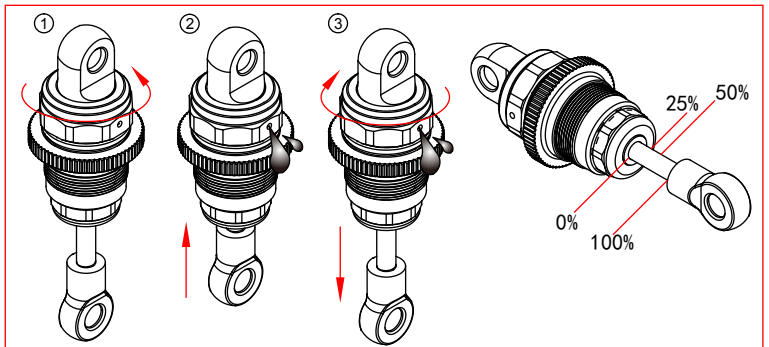
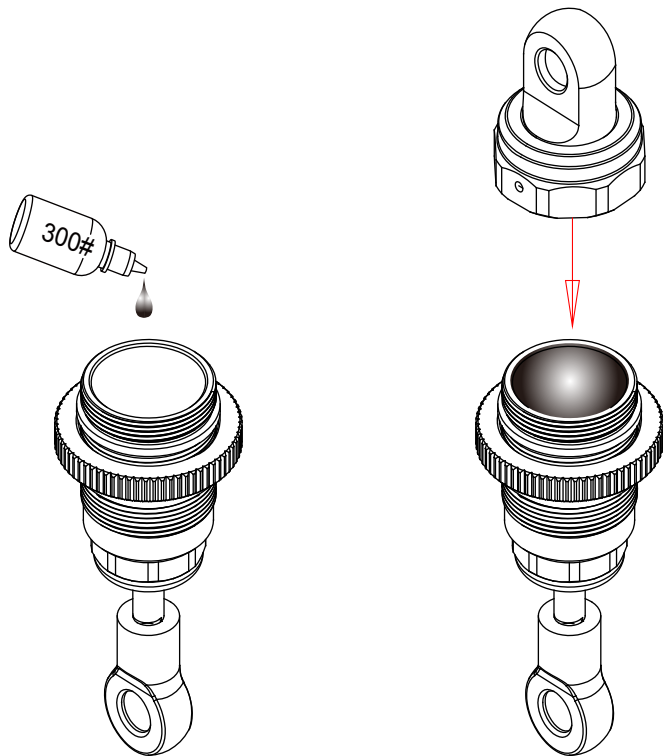
37 Shock Absorber
避震器

Bag-G x4



38 Shock Absorber
避震器

Bag-G x4

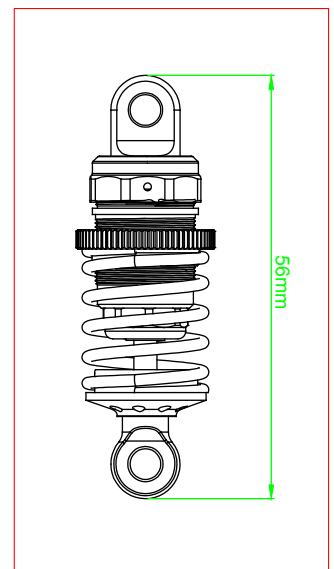
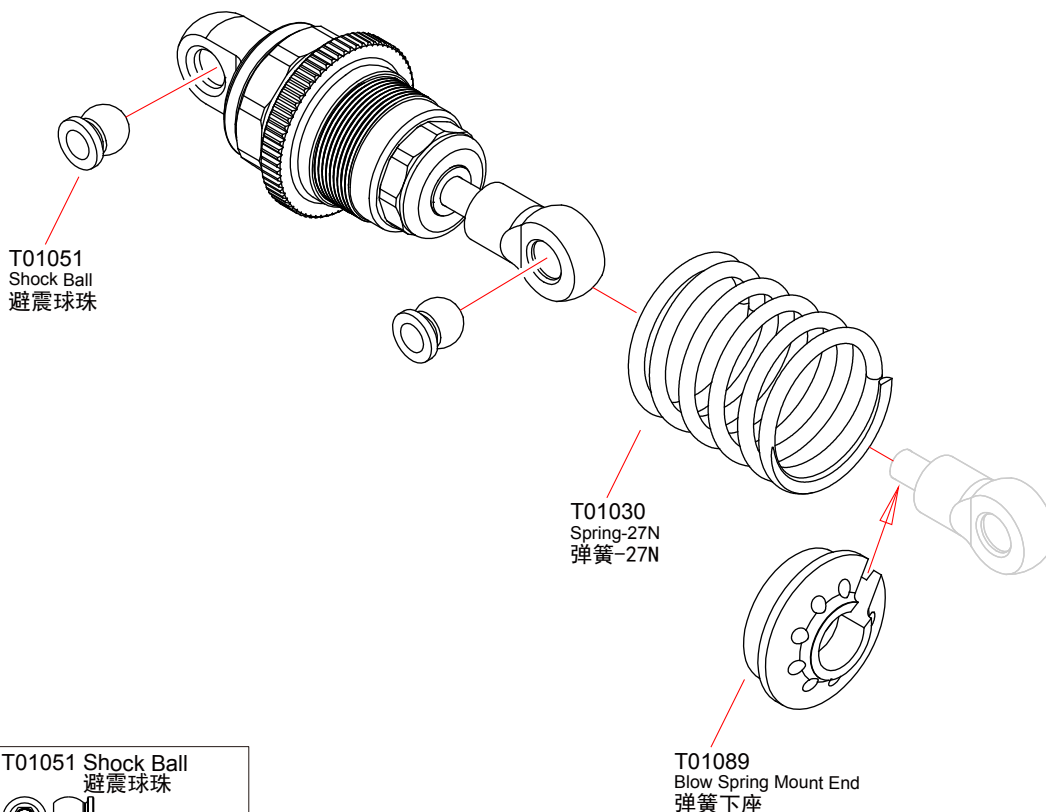


After the shock is assembled you have to set the shock rebound.
组装后的避震你必须设置避震复苏。

- ① Release the shock cap by 2-3 turns.
释放避震盖 2 - 3 转。
- ② Push the shock shaft fully up .For the first time the extra oil will release through the hole in the alu cap-nut.
推动避震轴完全了。第一次额外的石油将释放通过这个避震盖孔。
- ③ Tighten the shock cup .When tightening the shock cup,extra oil will again release through the hole in the alu cap-nut.When tightening,the shock shaft will push out from the shock body.
紧缩避震盖。当紧缩避震盖, 额外的石油将再次释放通过这个避震盖孔。当紧缩, 避震轴将排出身体的冲击。

39 Shock Absorber
避震器

Bag-G x4

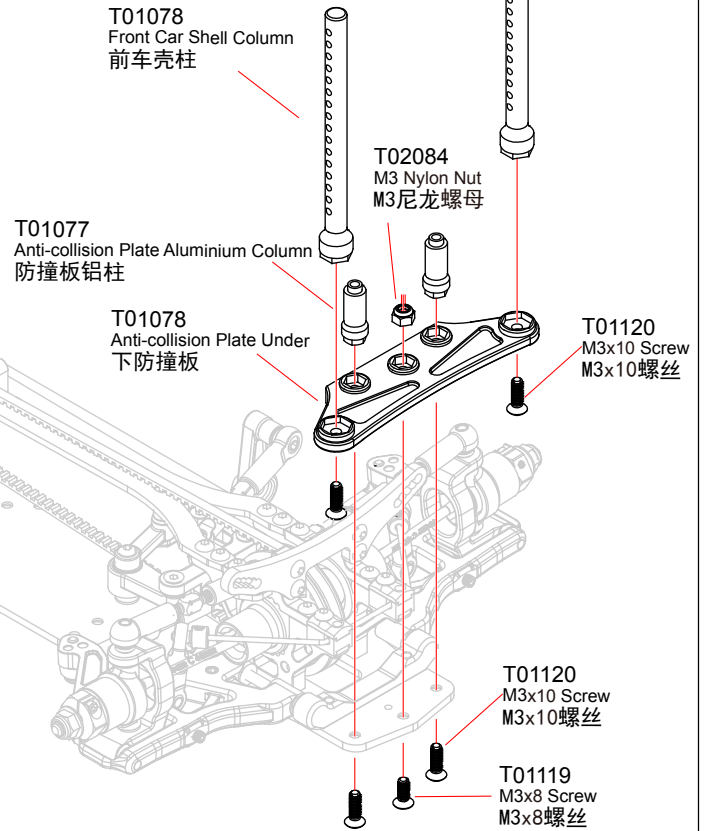
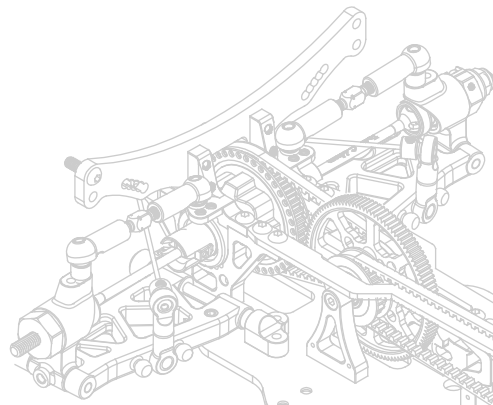


T01051 Shock Ball
避震球珠
.....8

T01089
Blow Spring Mount End
弹簧下座

40 Front Bumper Set
前防撞组

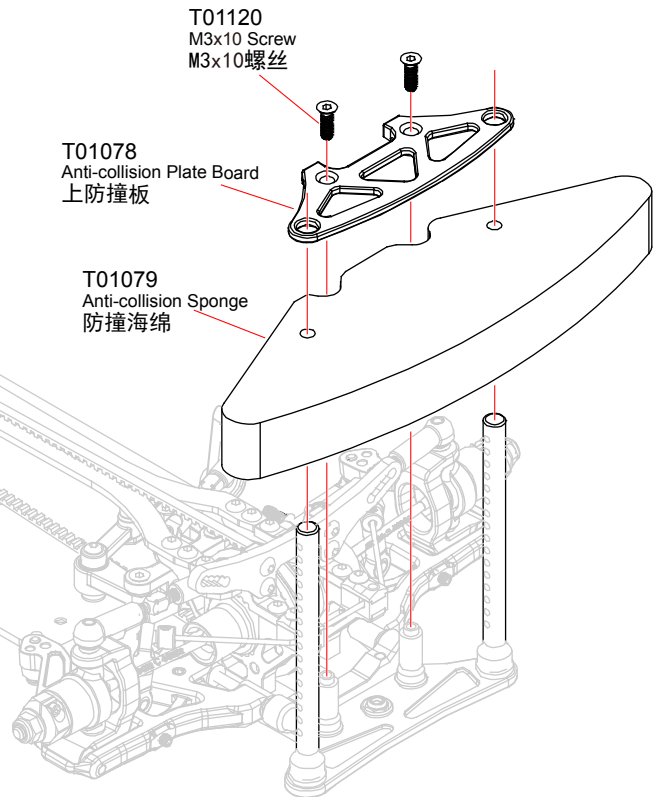
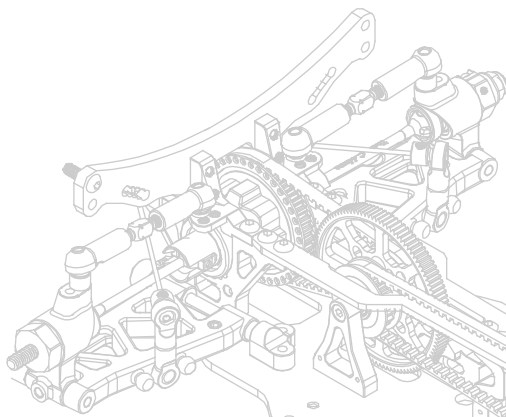
Bag-H



- T02084 M3 Nylon Nut
M3 尼龙螺母1
- T01119 M3x8 Screw
M3x8 螺丝1
- T01120 M3x10 Screw
M3x10 螺丝4

41 Front Bumper Set
前防撞组

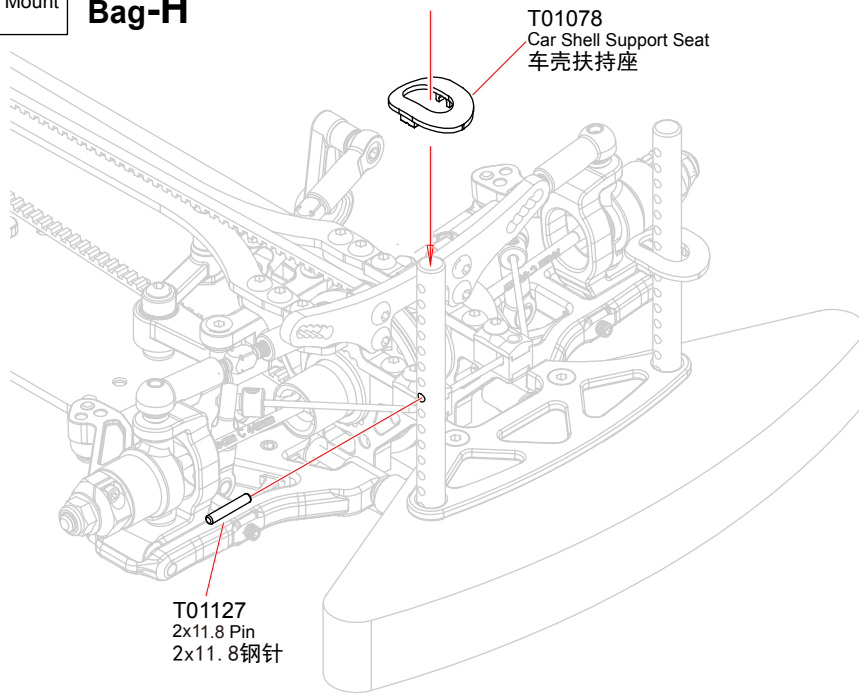
Bag-H



- T01120 M3x10 Screw
M3x10 螺丝2

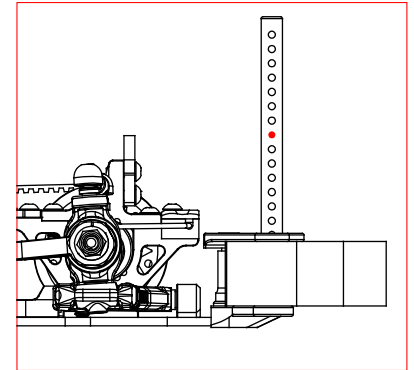
42 Front Body Mount
前车壳柱

Bag-H

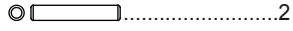


T01078
Car Shell Support Seat
车壳扶持座

T01127
2x11.8 Pin
2x11.8钢针

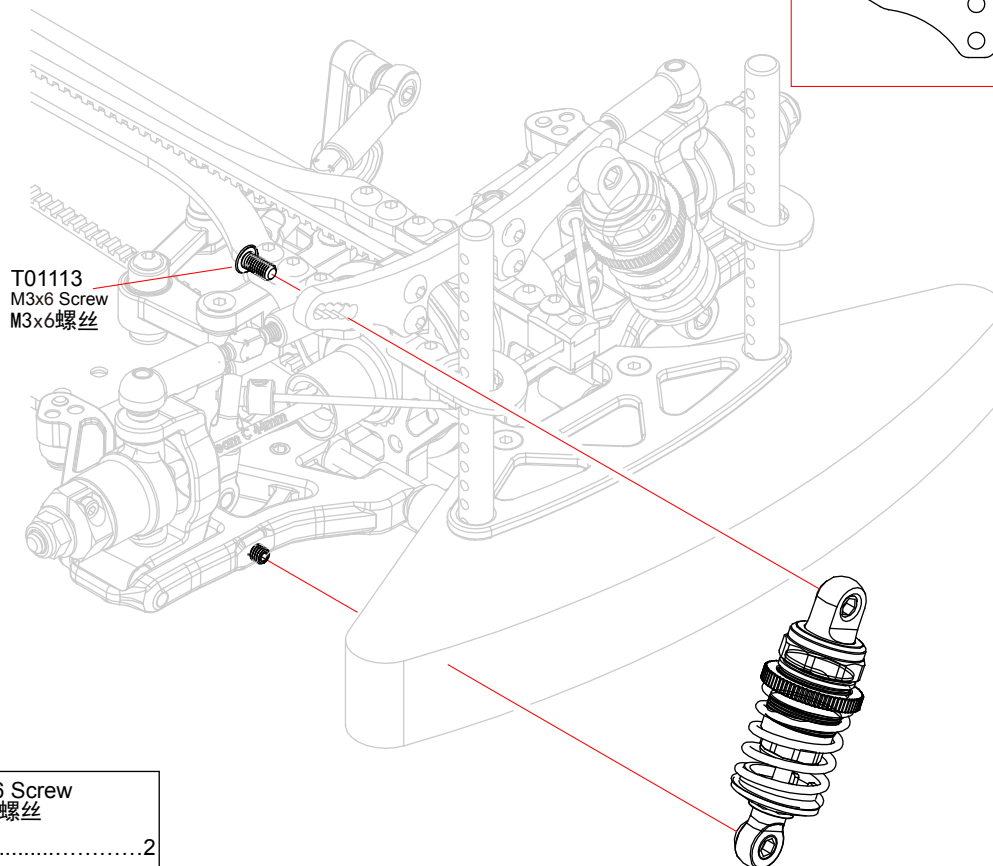


T01127 2x11.8 Pin
2x11.8钢针



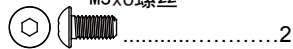
43 Front Shock Absorber
前避震器

Bag-H



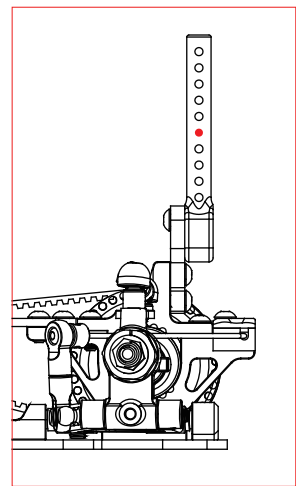
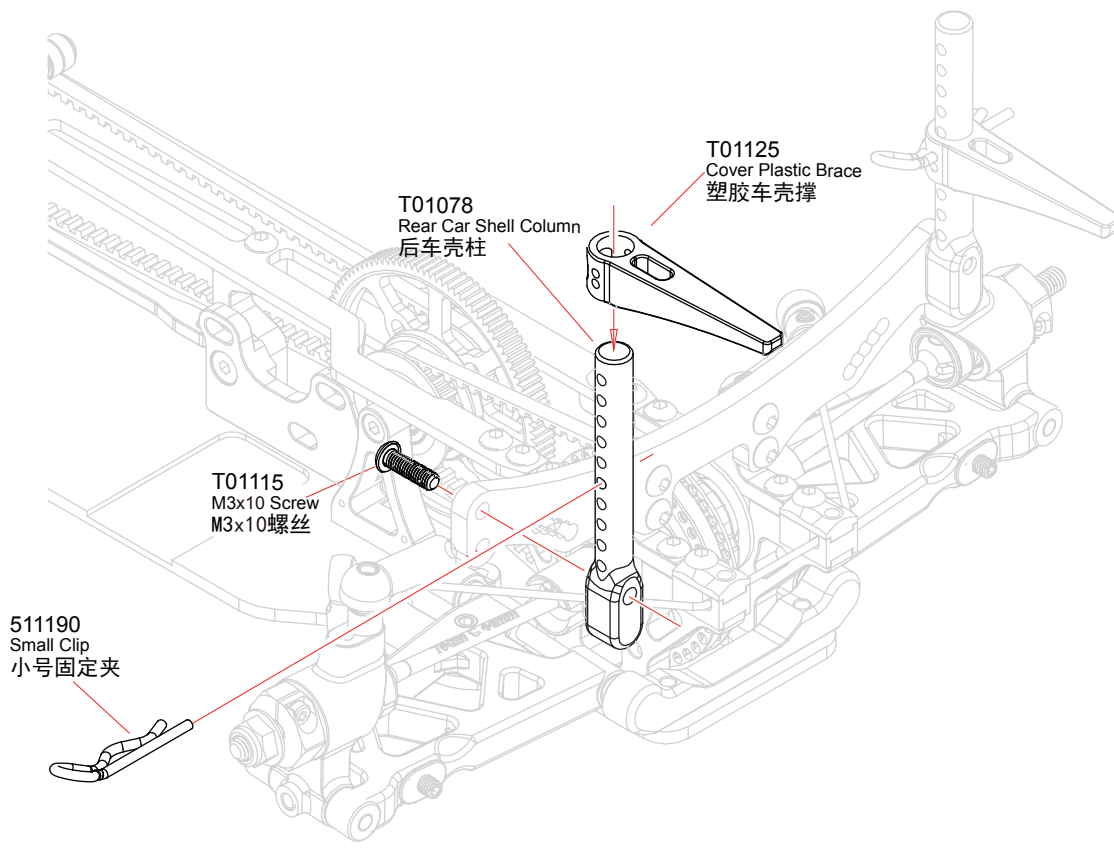
T01113
M3x6 Screw
M3x6螺丝

T01113 M3x6 Screw
M3x6螺丝



44 Rear Body Mount
后车壳柱

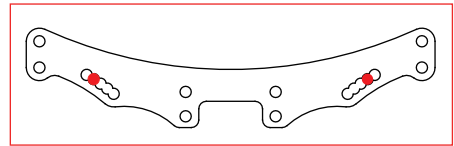
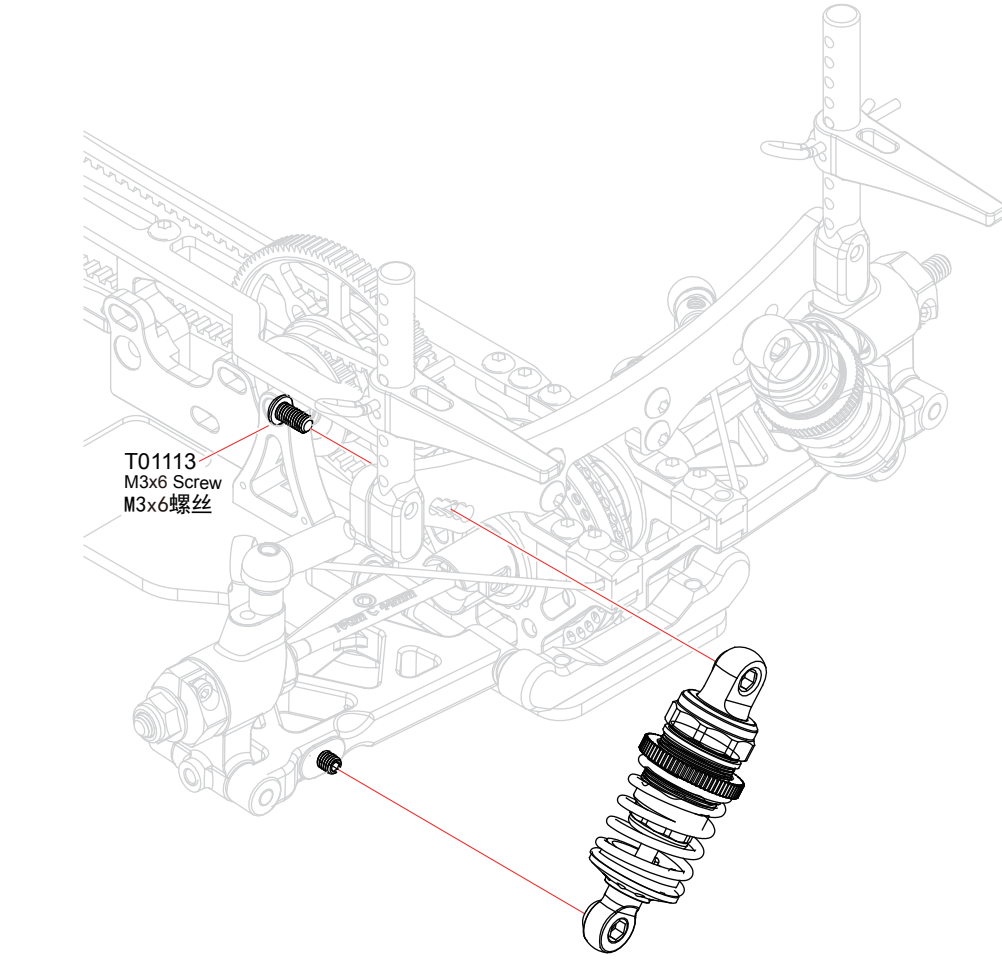
Bag-H



T01115 M3x10 Screw M3x10螺丝2
511190 Small Clip 小号固定夹2

45 Rear Shock Absorber
后避震器

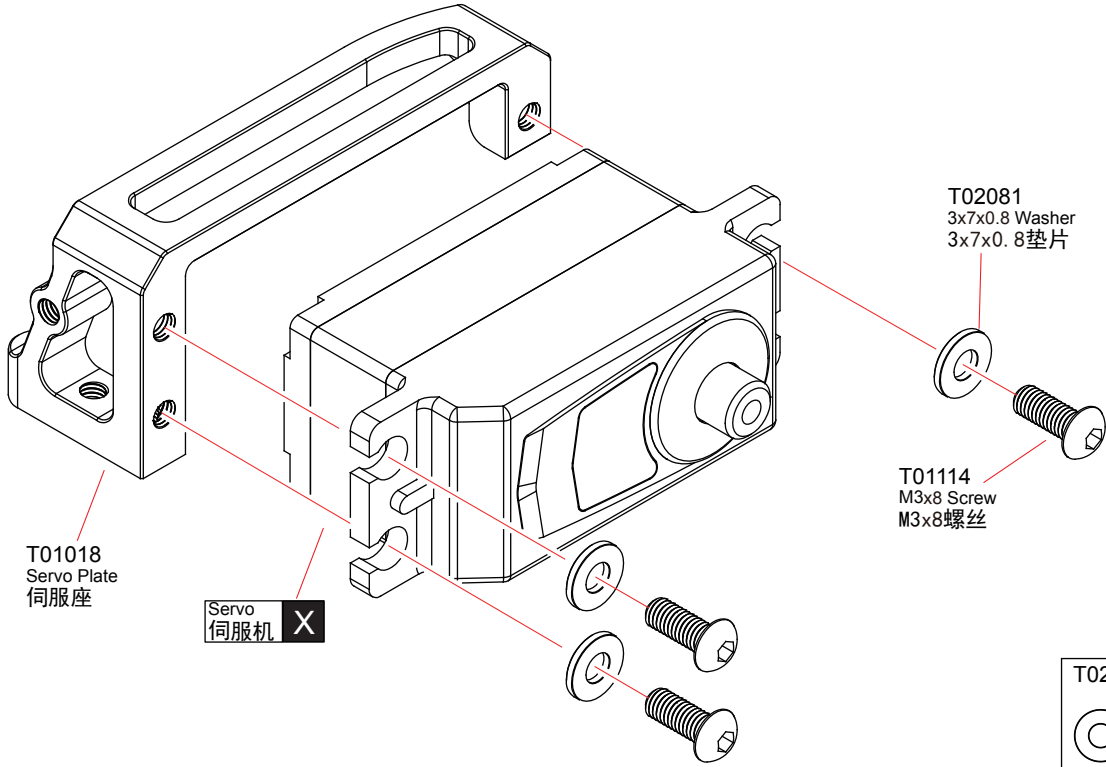
Bag-H



T01113 M3x6 Screw M3x6螺丝2
-----------------------------	--------

46 Steering Servo
转向伺服系统

Bag-I



T01018
Servo Plate
伺服座

Servo
伺服机 X

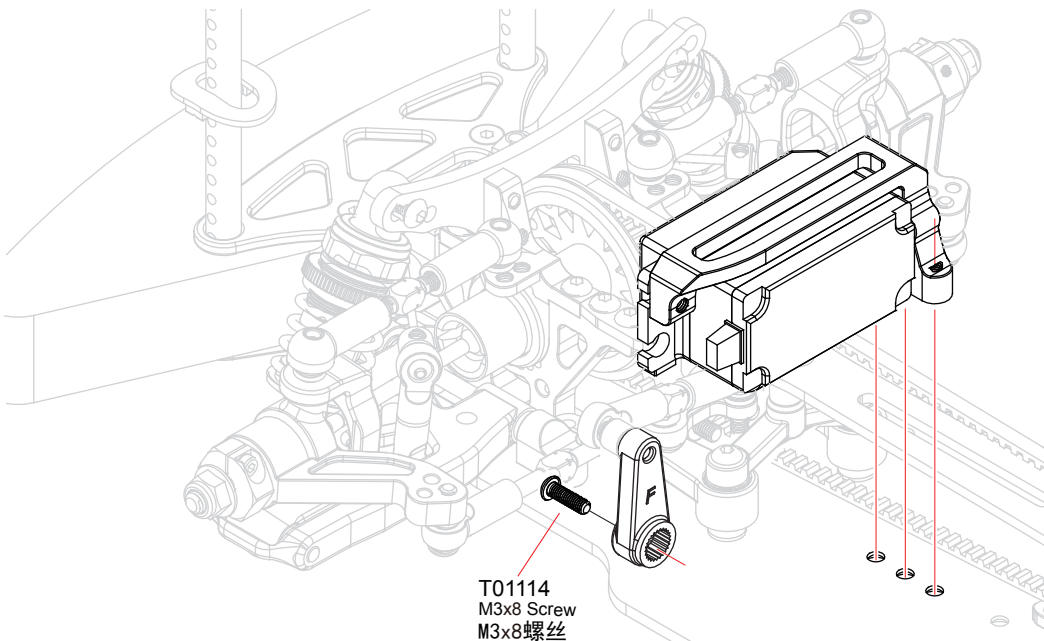
T02081
3x7x0.8 Washer
3x7x0.8垫片

T01114
M3x8 Screw
M3x8螺丝

T02081 3x7x0.8 Washer 3x7x0.8垫片	3
T01114 M3x8 Screw M3x8螺丝	3

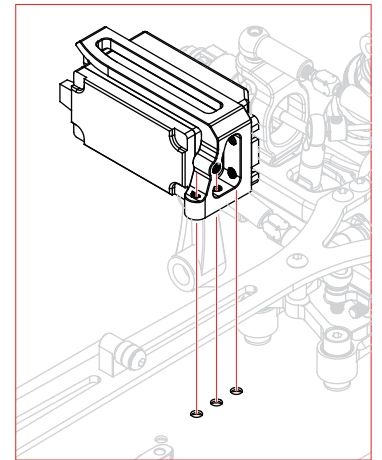
47 Steering Servo
转向伺服系统

Bag-I



T01114
M3x8 Screw
M3x8螺丝

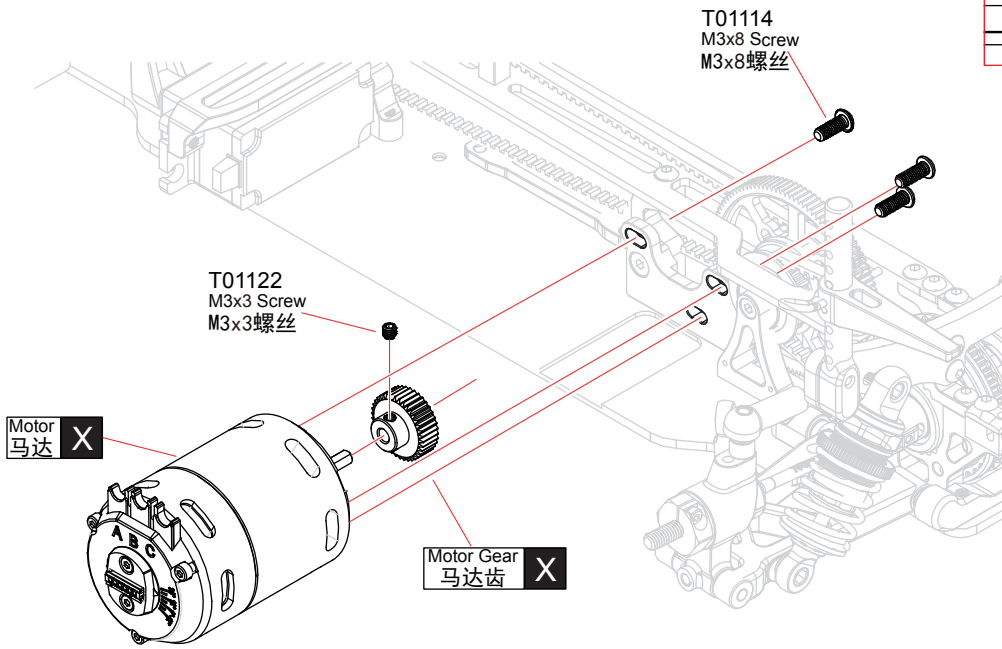
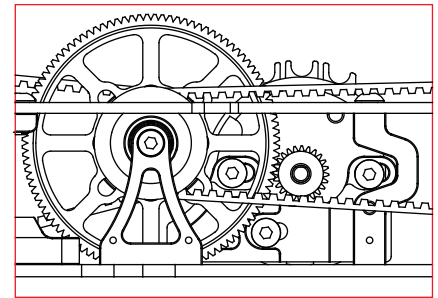
T01118
M3x6 Screw
M3x6螺丝



T01114 M3x8 Screw M3x8螺丝	1
T01118 M3x6 Screw M3x6螺丝	3

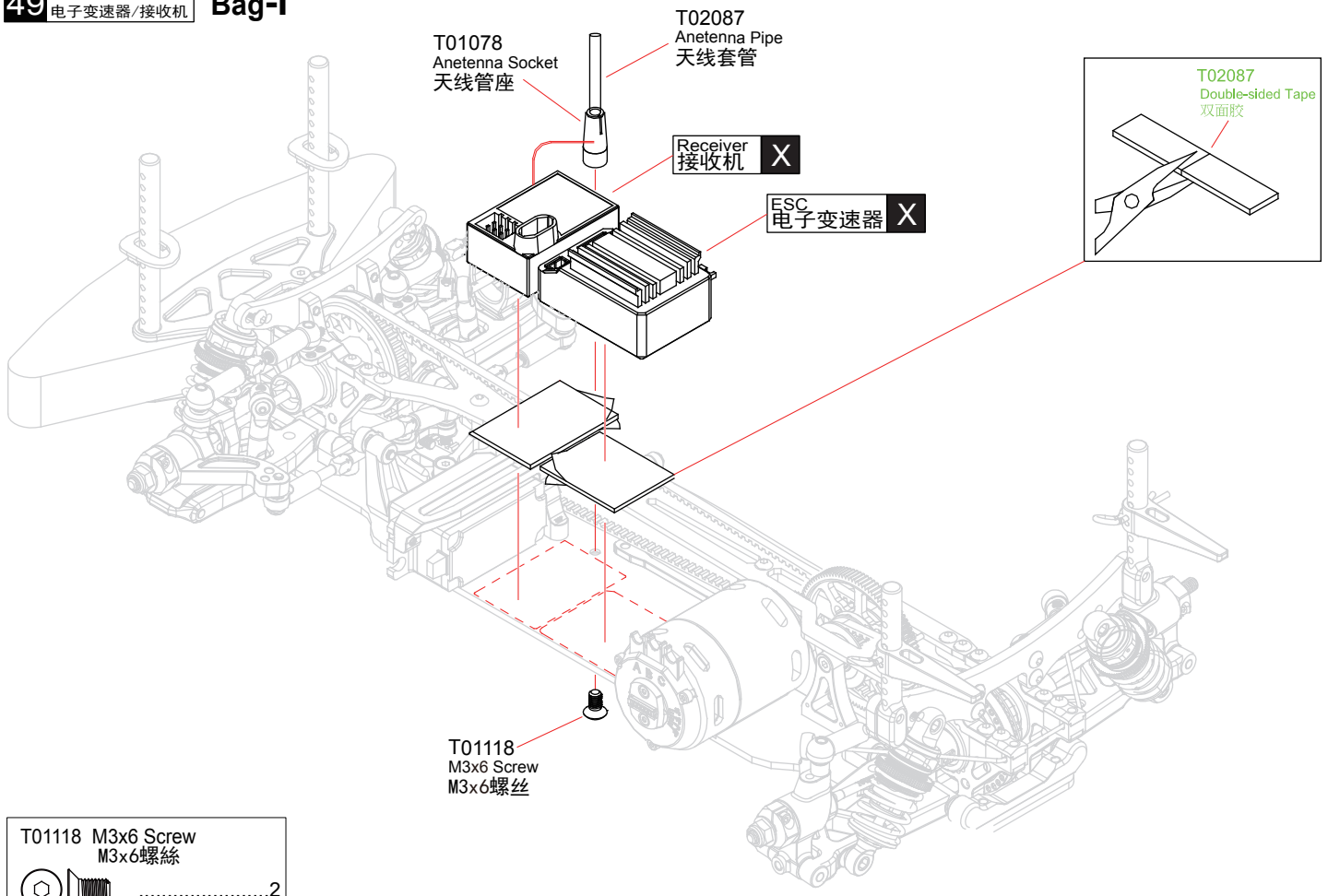
X Must be purchased separately
需另购物品

48 Motor
马达 Bag-I



T01122 M3x3 Screw M3x3螺丝1
T01114 M3x8 Screw M3x8螺丝3

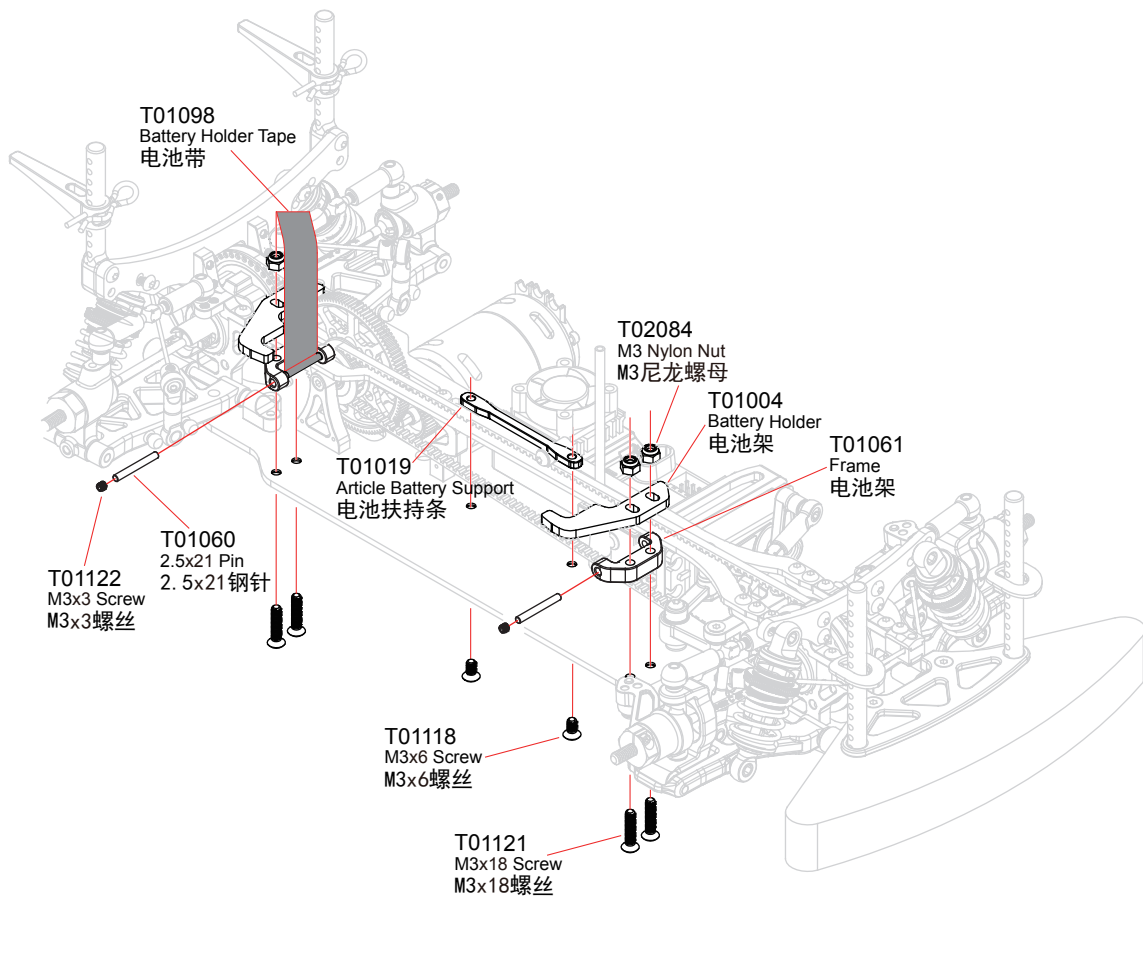
49 ESC/Receiver
电子变速器/接收机 Bag-I



T01118 M3x6 Screw M3x6螺丝2
-----------------------------	--------

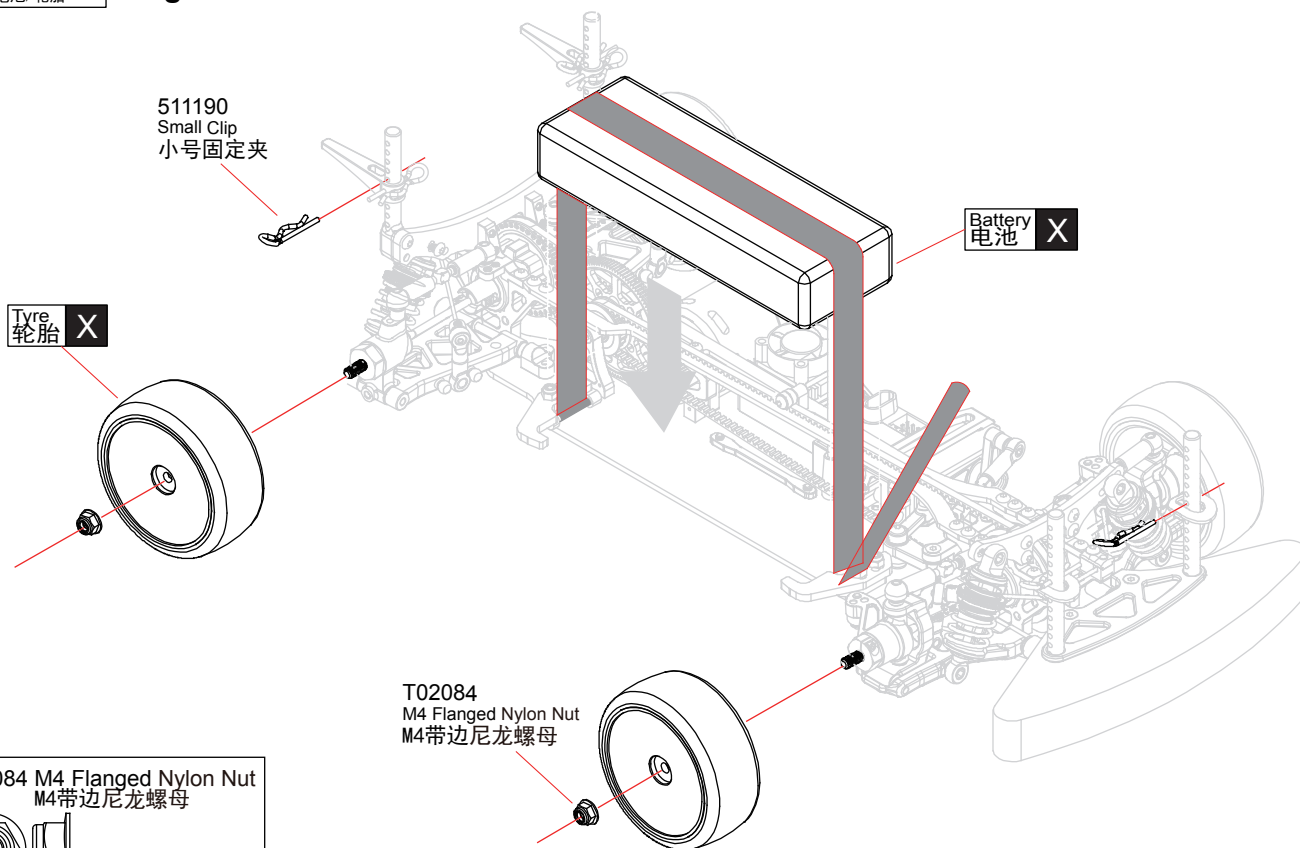
X Must be purchased separately
需另購物品

50 Frame
电池架 **Bag-I**



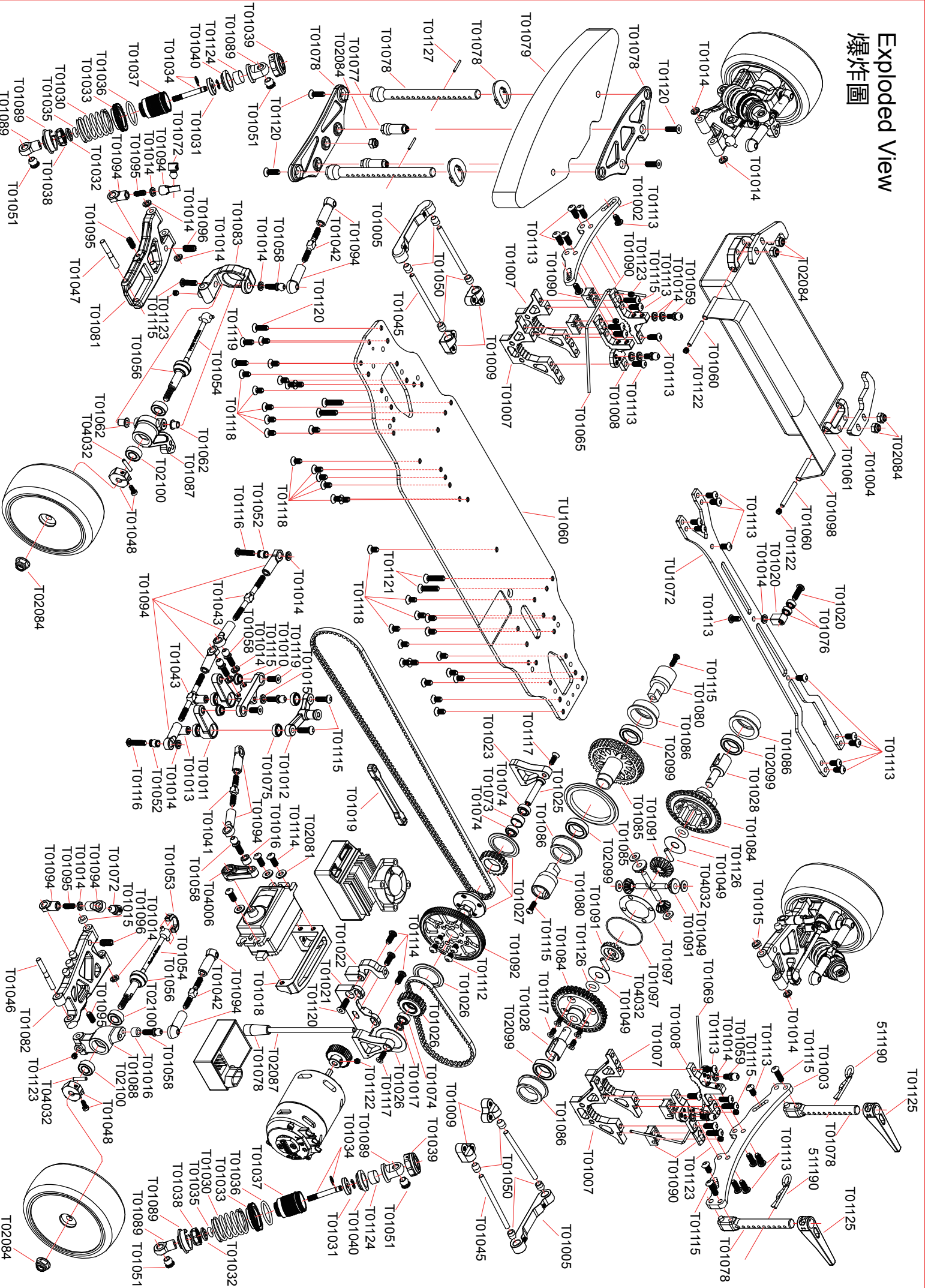
T01122 M3x3 Screw M3x3螺丝	2
T01060 2.5x21 Pin 2.5x21钢针	2
T02084 M3 Nylon Nut M3尼龙螺母	4
T01118 M3x6 Screw M3x6螺丝	2
T01121 M3x18 Screw M3x18螺丝	4

51 Battery/Tyre
电池/轮胎 **Bag-I**

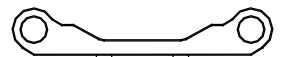
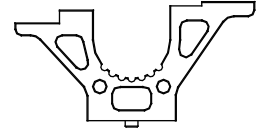


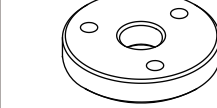


T02084 M4 Flanged Nylon Nut M4带边尼龙螺母	4
511190 Small Clip 小号固定夹	4




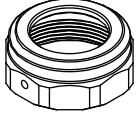
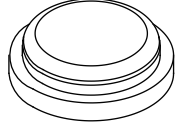

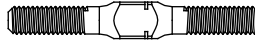
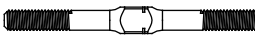

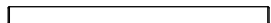
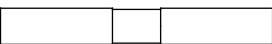

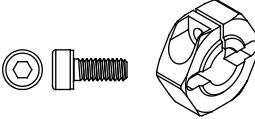

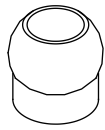


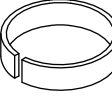
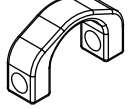


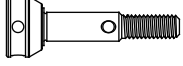
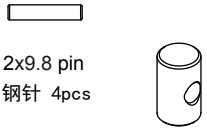
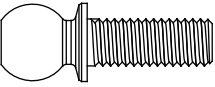
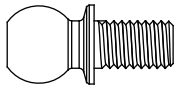
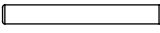
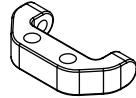
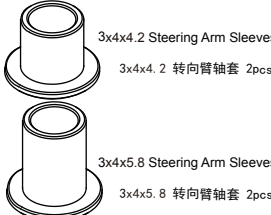


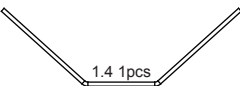

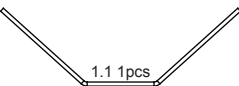
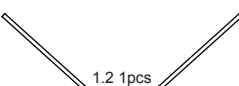
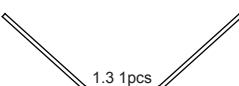
Exploded View 爆炸圖



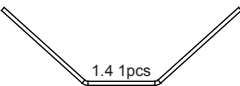




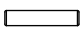








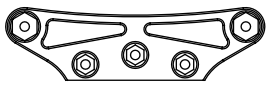
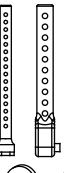


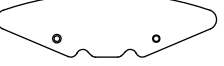
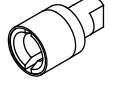
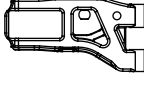
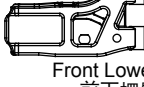


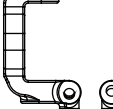
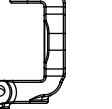


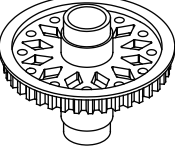
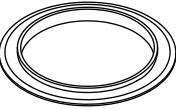

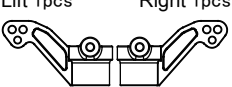
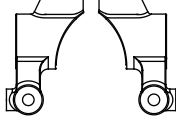



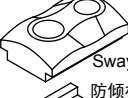
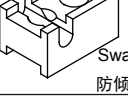


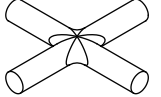
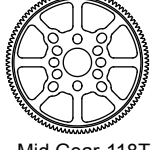
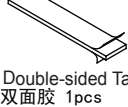

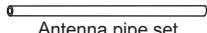

Parts list for TC10 1/10 Touring Car - 1 TC10配件包-1

<p>TU1060</p>  <p>Main Chassis 主底盘 1pcs</p>	<p>TU1072</p>  <p>Top Deck 二楼板 1pcs</p>	<p>T01002</p>  <p>Front Shock Tower 前避震器架 1pcs</p>	<p>T01003</p>  <p>Rear Shock Tower 后避震器架 1pcs</p>	<p>T01004</p>  <p>Battery Holder 电池架 2pcs</p>
<p>T01005</p>  <p>Arm Mount-F0 摆臂固定座-F0 1pcs</p>	<p>T01006</p>  <p>Arm Mount-R3.0 摆臂固定座-R3.0 1pcs</p>	<p>T01007</p>  <p>Side Panel 侧板 2pcs</p>	<p>T01008</p>  <p>Side Panel On The Cover-L/R 侧板上盖-L/R 2pcs</p>	<p>T01009</p>  <p>Projection Seat-L 投影座 1pcs</p>  <p>Projection Seat-R 投影座 1pcs</p>
<p>T01010</p>  <p>Steering Board 转向板 1pcs</p>	<p>T01011</p>  <p>Servo Saver 缓冲臂 2pcs</p>	<p>T01012</p>  <p>Reinforcing Bar Before 前补强柱 1pcs</p>	<p>T01013</p>  <p>Buffer Bolumn 缓冲柱 2pcs</p>	<p>T01014</p>  <p>3x5.5x1 Washer 垫片 6pcs</p>
<p>T01015</p>  <p>3x5.5x2 Washer 垫片 6pcs</p>	<p>T01016</p>  <p>3x5.5x4 Washer 垫片 6pcs</p>	<p>T01017</p>  <p>4x6x1.5 Washer 垫片 2pcs</p>	<p>T01018</p>  <p>Servo Plate 伺服座 1pcs</p>	<p>T01019</p>  <p>Article Battery Support 电池扶持条 1pcs</p>
<p>T01020</p>  <p>3x6x2.5 Ball Bearing 轴承 2pcs</p>  <p>M3x10 Screw M3x10螺丝 1pcs</p>  <p>Pressure Wheel Seat Belt 皮带压轮座 1pcs</p>	<p>T01021</p>  <p>Motor Mount-A 马达座-A 1pcs</p>	<p>T01022</p>  <p>Motor Mount-B 马达座-B 1pcs</p>	<p>T01023</p>  <p>Center Diff Mount 中差座 1pcs</p>	<p>T01025</p>  <p>Axis 中轴 1pcs</p>
<p>T01026</p>  <p>Pulley-20T 皮带轮-20T 1pcs</p>	<p>T01027</p>  <p>Belt Wheel-20T 皮带轮轴-20T 1pcs</p>	<p>T01028</p>  <p>Aluminum Diff Connecting Cup 铝差速接杯 2pcs</p>	<p>T01029</p>  <p>Shock 避震器 2pcs</p>	<p>T01030</p>  <p>Spring-27N 弹簧-27N 2pcs</p>
<p>T01031</p>  <p>Shock Piston 避震器活塞 2pcs</p>	<p>T01032</p>  <p>Suspension Bushings 避震轴套 2pcs</p>	<p>T01033</p>  <p>Spring Adjuster 避震调整环 2pcs</p>	<p>T01034</p>  <p>2.5 E-ring 2.5 E扣 4pcs</p>  <p>Shock Absorber Shaft 避震轴 2pcs</p>	<p>T01035</p>  <p>2.8x1.9 O-ring 2.8x1.9 O环 8pcs</p>





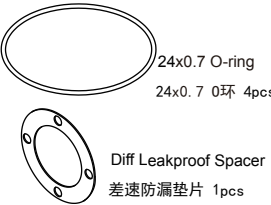
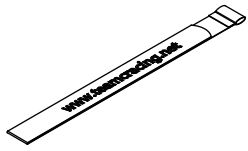

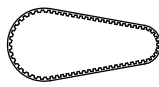
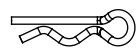












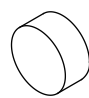
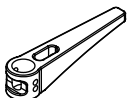
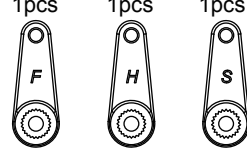


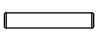
Parts list for TC10 1/10 Touring Car - 2 TC10配件包-2

<p>T01036</p>  <p>13x1.5 O-ring 13x1.5 O环 4pcs</p>	<p>T01037</p>  <p>Shock Absorber Body 避震器筒身 2pcs</p>	<p>T01038</p>  <p>Shock Below Cover 避震下盖 2pcs</p>	<p>T01039</p>  <p>Shock Upper Cover 避震上盖 2pcs</p>	<p>T01040</p>  <p>Diaphragm 氧室 4pcs</p>
<p>T01041</p>  <p>3x25 Turnbuckle 3x25拉杆 2pcs</p>	<p>T01042</p>  <p>3x28 Turnbuckle 3x28拉杆 2pcs</p>	<p>T01043</p>  <p>3x40 Turnbuckle 3x40拉杆 2pcs</p>	<p>T01044</p>  <p>Rear Arm Pin-44mm 后摆臂轴-44mm 2pcs</p>	<p>T01045</p>  <p>Front Arm Pin-41mm 前摆臂轴-41mm 2pcs</p>
<p>T01046</p>  <p>25mm Arm PIN 25mm摆臂轴 2pcs</p>	<p>T01047</p>  <p>23mm Arm PIN 23mm摆臂轴 2pcs</p>	<p>T01048</p>  <p>2x5 Screw 螺丝 4pcs Hex Mount 六角座 4pcs</p>	<p>T01049</p>  <p>5x15x0.3 Washer 垫片 2pcs 3.5x10x0.3 Washer 垫片 4pcs</p>	<p>T01050</p>  <p>Arm Mount-Ball 摆臂球珠 4pcs</p>
<p>T01051</p>  <p>Shock Ball 避震球珠 4pcs</p>	<p>T01052</p>  <p>4.9x5.5 Ball Stud 球头 4pcs</p>	<p>T04022</p>  <p>Spring Buckle 弹簧扣 6pcs</p>	<p>T01053</p>  <p>Horseshoe 马蹄 4pcs</p>	<p>T01054</p>  <p>43mm Drive Shaft 传动轴 2pcs</p>
<p>T01055</p>  <p>44mm Drive Shaft 传动轴 2pcs</p>	<p>T01056</p>  <p>CVD Connecting Cup CVD接杯 2pcs</p>	<p>T01057</p>  <p>2x9.8 pin 钢针 4pcs CVD Shaft CVD轴 4pcs</p>	<p>T01058</p>  <p>Ball Stud-Long 球头-长 6pcs</p>	<p>T01059</p>  <p>Ball Stud-Short 球头-短 4pcs</p>
<p>T01060</p>  <p>2.5x21 Pin 钢针 2pcs</p>	<p>T01061</p>  <p>Frame 电池架 2pcs</p>	<p>T01062</p>  <p>3x4x4.2 Steering Arm Sleeves 3x4x4.2 转向臂轴套 2pcs 3x4x5.8 Steering Arm Sleeves 3x4x5.8 转向臂轴套 2pcs</p>	<p>T01064</p>  <p>1.2 1pcs Front Swaybar 前防倾杆 1pcs</p>	<p>T01065</p>  <p>1.3 1pcs Front Swaybar 前防倾杆 1pcs</p>
<p>T01066</p>  <p>1.4 1pcs Front Swaybar 前防倾杆 1pcs</p>	<p>T01067</p>  <p>1.5 1pcs Front Swaybar 前防倾杆 1pcs</p>	<p>T01068</p>  <p>1.1 1pcs Rear Swaybar 后防倾杆 1pcs</p>	<p>T01069</p>  <p>1.2 1pcs Rear Swaybar 后防倾杆 1pcs</p>	<p>T01070</p>  <p>1.3 1pcs Rear Swaybar 后防倾杆 1pcs</p>

Parts list for TC10 1/10 Touring Car - 3 TC10配件包-3

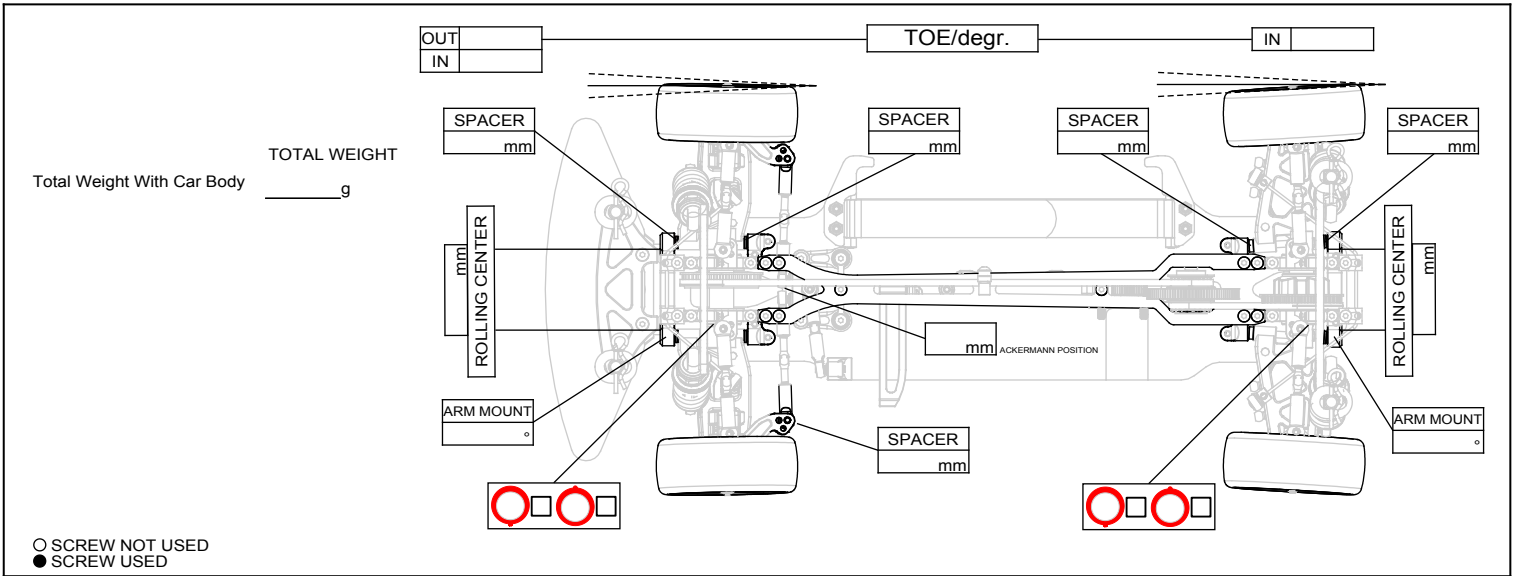
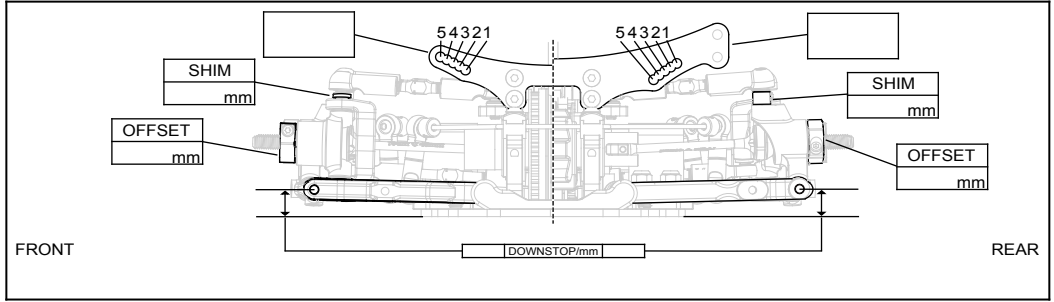
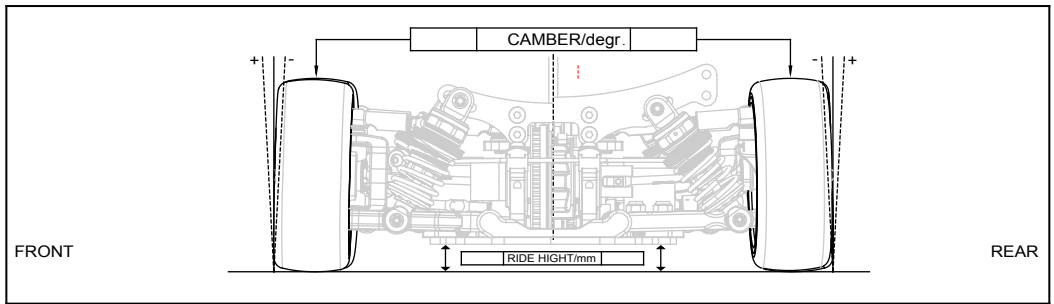
<p>T01071</p>  <p>1.4 1pcs</p> <p>Rear Swaybar 后防倾杆 1pcs</p>	<p>T01072</p>  <p>M3x3 Screw 螺丝 2pcs</p> <p>Swaybar Ball Stud 防倾杆球头 2pcs</p>	<p>T01073</p>  <p>3.5mm Casing 3.5mm 套管 1pcs</p>	<p>T02084</p>  <p>M4 Flanged Nylon Nut 带边尼龙螺母 6pcs</p>  <p>M3 Nylon Nut 尼龙螺母 6pcs</p>	<p>T04032</p>  <p>2x9.8 Pin 钢针 6pcs</p>
<p>T01074</p>  <p>4x8x3 Ball Bearing 轴承 6pcs</p>	<p>T02080</p>  <p>3x6x2.5 Ball Bearing 轴承 6pcs</p>	<p>T01075</p>  <p>5x8x2.5 Ball Bearing 轴承 6pcs</p>	<p>T02100</p>  <p>5x10x4 Ball Bearing 轴承 6pcs</p>	<p>T02099</p>  <p>10x15x4 Ball Bearing 轴承 6pcs</p>
<p>T01076</p>  <p>3x6x2.5 Ball Bearing 轴承 6pcs</p>	<p>T01077</p>  <p>Anti-collision Plate Aluminium Column 防撞板铝柱 2pcs</p>	<p>T01078</p> <p>Antenna Socket 天线管座 1pcs</p> <p>Front Car Shell Column 前车壳柱 2pcs</p>  <p>Anti-collision Plate Board 上防撞板 1pcs</p>  <p>Anti-collision Plate Under 下防撞板 1pcs</p>  <p>Front Car Shell Column 前车壳柱 2pcs</p>  <p>Rront Car Shell Column 后车壳柱 2pcs</p>  <p>Car Shell Support Seat 车壳扶持座 4pcs</p>		
<p>T01079</p>  <p>Anti-collision Sponge 防撞海绵 1pcs</p>	<p>T01080</p>  <p>Diff Connecting Cup 差速接杯 2pcs</p>	<p>T01081</p>  <p>Lift 1pcs</p>  <p>Right 1pcs</p> <p>Front Lower Arm 前下摆臂</p>	<p>T01082</p>  <p>Lift 1pcs</p>  <p>Right 1pcs</p> <p>Rear Lower Arm 后下摆臂</p>	<p>T01083</p>  <p>C-type Holder-L C型座-L 1pcs</p>  <p>C-type Holder-R C型座-R 1pcs</p>
<p>T01084</p>  <p>Differential Belt Tooth-38T 差速皮带齿-38T 1pcs</p>	<p>T01085</p>  <p>Differential Shell 差速壳 1pcs</p>	<p>T01085</p>  <p>Plastic Straight Shaft 塑胶直轴 1pcs</p>	 <p>Straight Shaft Gear Ring 直轴齿轮环 1pcs</p>	<p>T01086</p>  <p>Belt Adjustment Ring 皮带调整环 4pcs</p>
<p>T01087</p>  <p>Lift 1pcs Right 1pcs</p> <p>Steering Arm 转向臂 2pcs</p>	<p>T01088</p>  <p>Lift 1pcs Right 1pcs</p> <p>Rear Hub 后轮座 2pcs</p>	<p>T01089</p>  <p>Shock Absorber Cover 避震器盖 2pcs</p>  <p>Blow Spring Mount End 弹簧下座 2pcs</p>  <p>Ball End 球头 2pcs</p>	<p>T01090</p>  <p>Sway Bar Holder Broad 防倾杆上座 2pcs</p>  <p>Sway Bar Holder Under 防倾杆下座 2pcs</p>	
<p>T01091</p>  <p>Diff Gear-10T 差速内齿-10T 4pcs</p>  <p>Diff Gear-18T 差速伞齿-18T 2pcs</p>  <p>With Poor Spider 差带十字轴 1pcs</p>	<p>T01092</p>  <p>Mid Gear-118T 中齿轮-118T 1pcs</p>	<p>T02087</p>  <p>Double-sided Tape 双面胶 1pcs</p>  <p>Antenna pipe set cover 天线管帽 1pcs</p>  <p>Antenna pipe set 天线套管 1pcs</p>	<p>T01093</p>  <p>2.3 E-ring 2.3 E扣 10pcs</p>	

Parts list for TC10 1/10 Touring Car - 4 TC10配件包-4

<p>T01094</p>  <p>4.9mm Ball End-Short 4.9mm球头座-短 10pcs</p> <p>4.9mm Ball End-Long 4.9mm球头座-长 4pcs</p>  <p>4.9mm Ball End 4.9mm球头座 8pcs</p>	<p>T01095</p>  <p>M3x8 Screw 螺丝 10pcs</p>	<p>T01096</p>  <p>M4x8 Screw 螺丝 10pcs</p>	<p>T01097</p>  <p>24x0.7 O-ring 24x0.7 O环 4pcs</p> <p>Diff Leakproof Spacer 差速防漏垫片 1pcs</p>	
<p>T01098</p>  <p>Battery Holder Tape 电池带 1pcs</p>	<p>T01099</p>  <p>Belt 皮带 1pcs</p>	<p>T01100</p>  <p>Small Belt 小皮带 1pcs</p>	<p>511190</p>  <p>Small Clip 小号固定夹 10pcs</p>	<p>T01112</p>  <p>M3x4 Screw 螺丝 10pcs</p>
<p>T01113</p>  <p>M3x6 Screw 螺丝 10pcs</p>	<p>T01114</p>  <p>M3x8 Screw 螺丝 10pcs</p>	<p>T01115</p>  <p>M3x10 Screw 螺丝 10pcs</p>	<p>T01116</p>  <p>M3x12 Screw 螺丝 10pcs</p>	<p>T01117</p>  <p>M2.5x8 Screw 螺丝 10pcs</p>
<p>T01118</p>  <p>M3x6 Screw 螺丝 10pcs</p>	<p>T01119</p>  <p>M3x8 Screw 螺丝 10pcs</p>	<p>T01120</p>  <p>M3x10 Screw 螺丝 10pcs</p>	<p>T01121</p>  <p>M3x18 Screw 螺丝 10pcs</p>	<p>T01122</p>  <p>M3x3 Screw 螺丝 10pcs</p>
<p>T01123</p>  <p>M3x4 Screw 螺丝 10pcs</p>	<p>T01124</p>  <p>8x2 Shock Absorber Sponge 8x2避震器海绵 4pcs</p>	<p>T01125</p>  <p>Cover Plastic Brace 塑胶车壳撑 2pcs</p>	<p>T04006</p>  <p>1pcs 1pcs 1pcs Steering Servo Horn 转向伺服臂 1pcs</p>	<p>T02081</p>  <p>3x7x 0.8 Washer 垫片 4pcs</p>
<p>T01126</p>  <p>5x1.9 O-ring 5x1.9 O环 4pcs</p>	<p>T01127</p>  <p>2x11.8 Pin 钢针 6pcs</p>			

TC10

RACE			
TRACK			
NAME			
CITY/COUNTRY			
CONTACT			
DATE	AIR TEMP	TRACK TEMP	HUMIDITY
QUALIFYING POSITION		BEST LAP TIME/sex	
FINAL POSITION		RACE LENGTH/minutes	



SHOCKS			
FRONT			REAR
	SPRING		
	OIL/W		
	LENGTH/mm		
	REBOUND/%		
<input type="checkbox"/> YES <input type="checkbox"/> NO	FOAM INSERTS	<input type="checkbox"/> YES <input type="checkbox"/> NO	
	HOLES IN PISTON		

TRACK CONDITION	<input type="checkbox"/> CONCRETE	<input type="checkbox"/> CARPET	<input type="checkbox"/> ASPHALT
	<input type="checkbox"/> TECHNICAL	<input type="checkbox"/> MIXED	<input type="checkbox"/> FAST

TRACTION	<input type="checkbox"/> LOW	<input type="checkbox"/> MEDIUM	<input type="checkbox"/> HIGH
----------	------------------------------	---------------------------------	-------------------------------

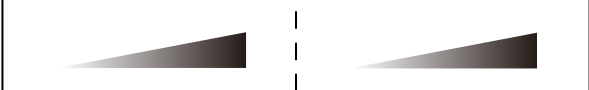
ESC	BATTERIES
BODY	WING

ARMATURE		TIMING	
	+ SPRING -		
MOTOR	+ BRUSH FACE -		
	+ BRUSH COMP. -		

PINION/T	SPUR GEAR/T
T	T

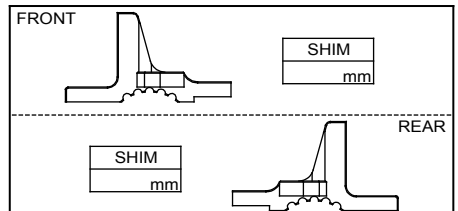
TRANSMISSION	
FRONT	REAR

<input type="checkbox"/>	GEAR DIFFERENTIAL	<input type="checkbox"/>
<input type="checkbox"/>	DIFFERENTIAL	<input type="checkbox"/>



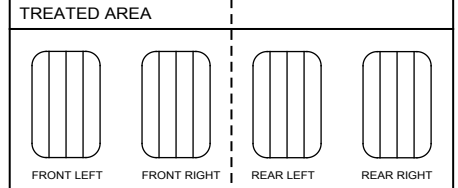
ONE WAY DIFFERENTIAL	<input type="checkbox"/>	MIDDLE ONE WAY PULLEY	<input type="checkbox"/>
----------------------	--------------------------	-----------------------	--------------------------

SOLID AXLE	<input type="checkbox"/>
------------	--------------------------



TIRES	
DIAMETER	
INSERTS	
ADDITIVE	

ANTI-ROLL BAR	
FRONT	REAR
<input type="checkbox"/> 1.2	<input type="checkbox"/> 1.1
<input type="checkbox"/> 1.3	<input type="checkbox"/> 1.2
<input type="checkbox"/> 1.4	<input type="checkbox"/> 1.3
<input type="checkbox"/> 1.5	<input type="checkbox"/> 1.4



COMMENTS

Team
Team
www.teamcracing.net