



Team
Team
www.teamcracing.net

TCC02C EVO

Instruction manual

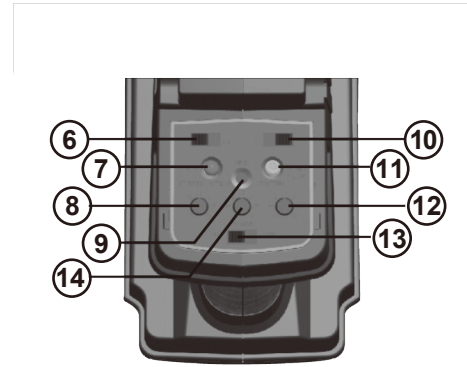
***1:10 SCALE RADIO CONTROLLED ELECTRIC
POWERED 2WD RACING BUGGY***

Dimensions 尺寸:

Length 長度.....	410mm
Width 寬度.....	250mm
Height 高度.....	150mm

Transmitter Preparation

調整遙控器



GLG20
2.4GHz

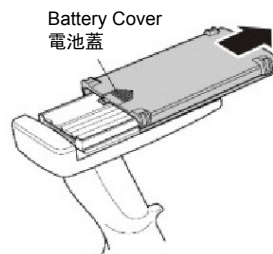


- 1 Control Panel 控制面板
- 2 Steering Wheel 轉向輪
- 3 Throttle Trigger 油門板扣
- 4 Battery Compartment 電池盒
- 5 Charging Jack 充電接口
- 6 Sterring Servo Reverse 轉向正逆轉開關
- 7 Power LED 電源指示燈
- 8 Steering Trim 轉向調節
- 9 Bind Button 設定按鈕
- 10 Throttle Servo Reverse 油門正逆轉開關
- 11 Battery Voltage 電池電壓
- 12 Steering Dual Rate 轉向大小微調
- 13 Power Switch 電源開關
- 14 Throttle Trim 油門微調

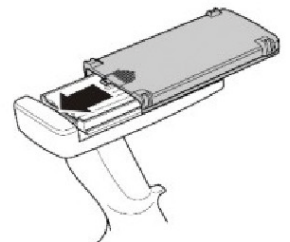
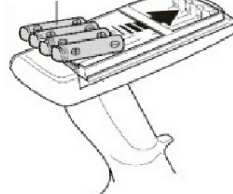
Transmitter Battery Installation 遙控器電池安裝

Open battery cover at the bottom of transmitter.
Install batteries. Follow the direction of batteries
designated in the inside of battery box.

在遙控器的底部打開電池蓋子, 安裝電池。
跟隨電池的指示在電池盒裡面指定。

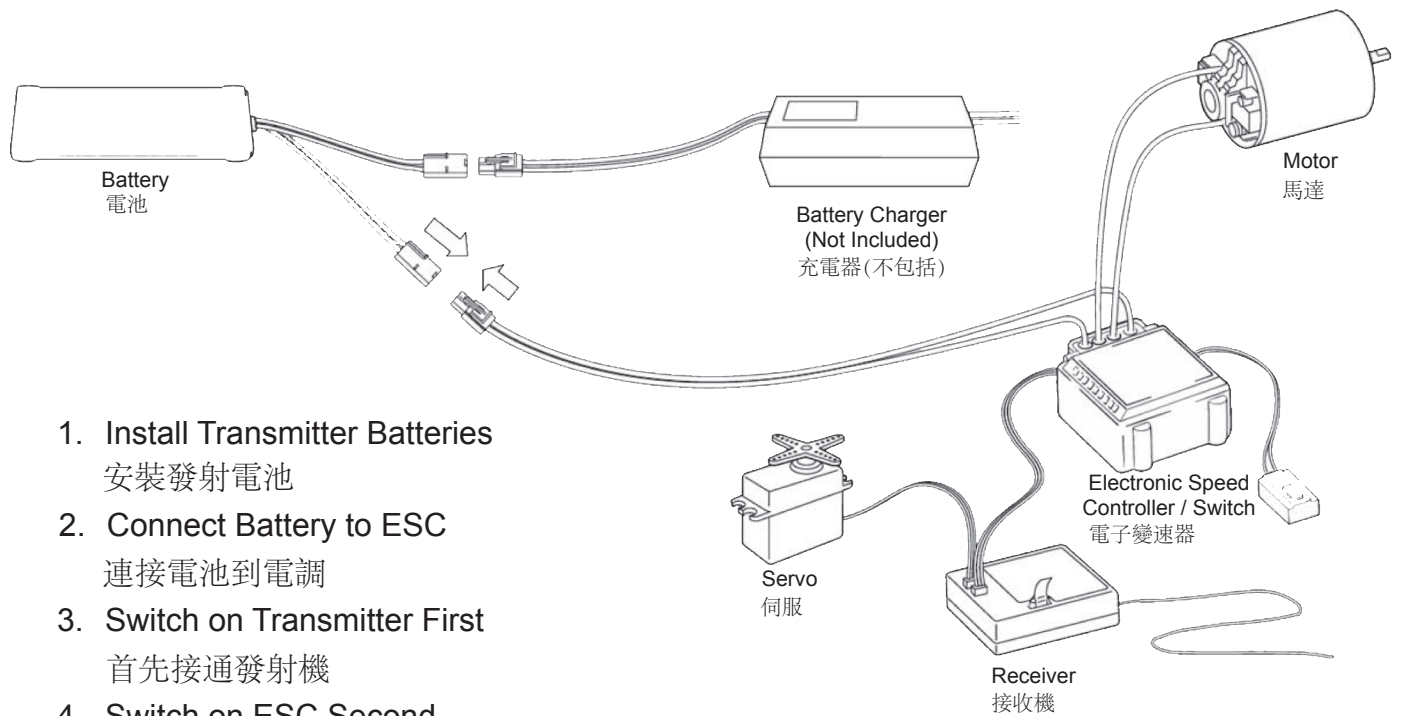


4X AA Alkaling Batteries
AA 碱性電池



Transmitter Preparation

调整遥控器



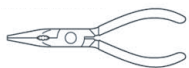
1. Install Transmitter Batteries
安裝發射電池
2. Connect Battery to ESC
連接電池到電調
3. Switch on Transmitter First
首先接通發射機
4. Switch on ESC Second
其次接通電調

Note: When done driving Turn Off the ESC and THEN Transmitter

注意: 當停止駕駛首先要關掉電調
其次再關掉發射機

Tools required 組裝需要的工具

● Needle Nose Pliers
尖嘴鉗



● Awl
錐



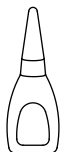
● Grease
潤滑油



● Screw Cement
螺絲膠水



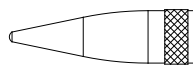
● **H162**
Instant Glue
瞬間膠水



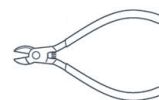
● Differential Grease
差速油



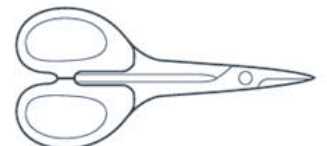
● **H154**
Body Reamer
車殼絞刀



● Wire Cutters
鋼絲鉗



● **H096**
ROUND CUTTER
剪刀



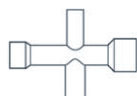
● Molybdenum Grease(Black)
鉬油(黑)



● Hex Wrench
六角扳手



● Hex Wrench
十字套筒



● Sharp Hobby knife
美工刀

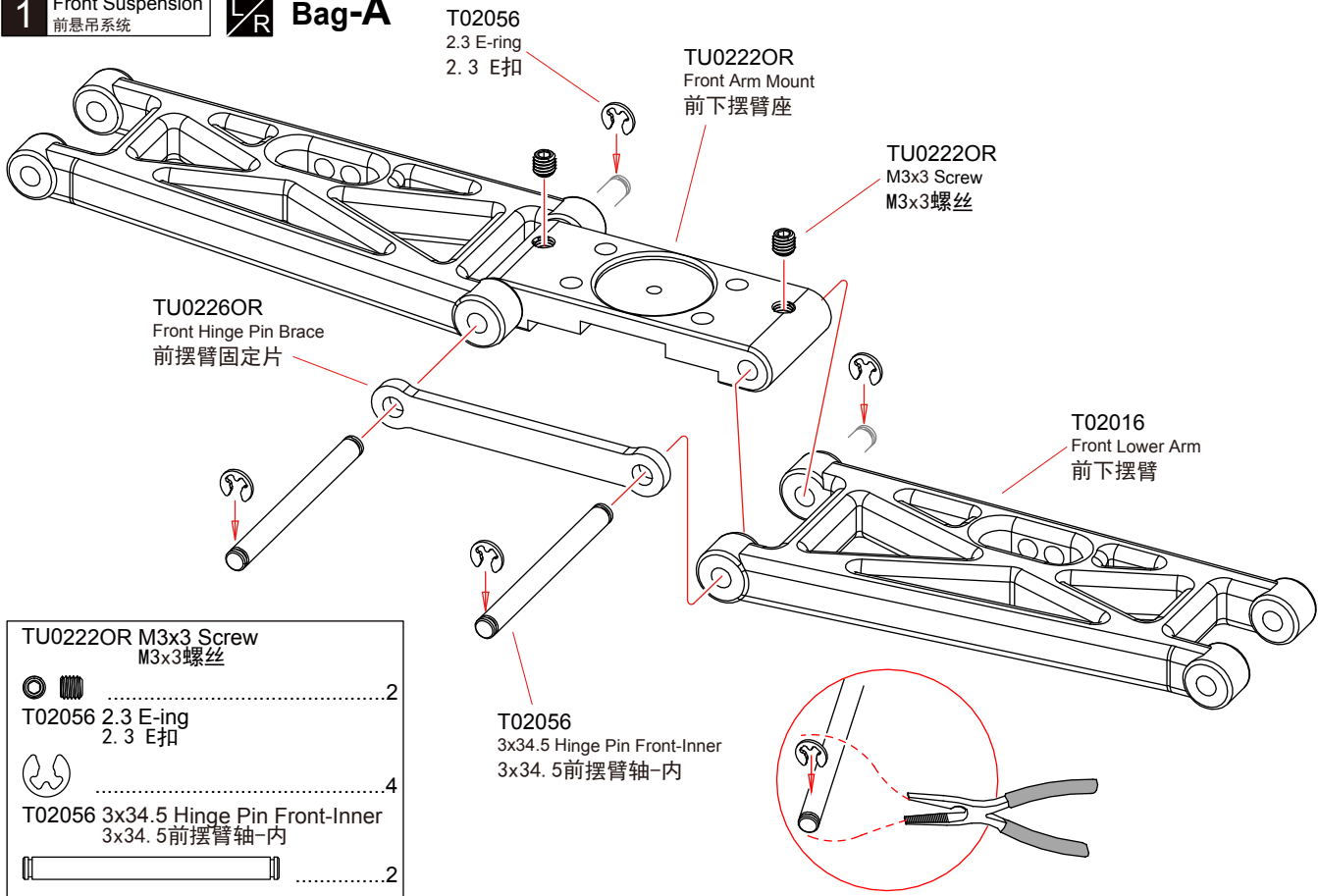


No need to pre-drill precise holes
(1mm to 15mm) can be drilled
可以对预钻的孔准确的钻1mm-15mm

For trimming bodies!
用于修剪車壳!

1 Front Suspension
前悬吊系统

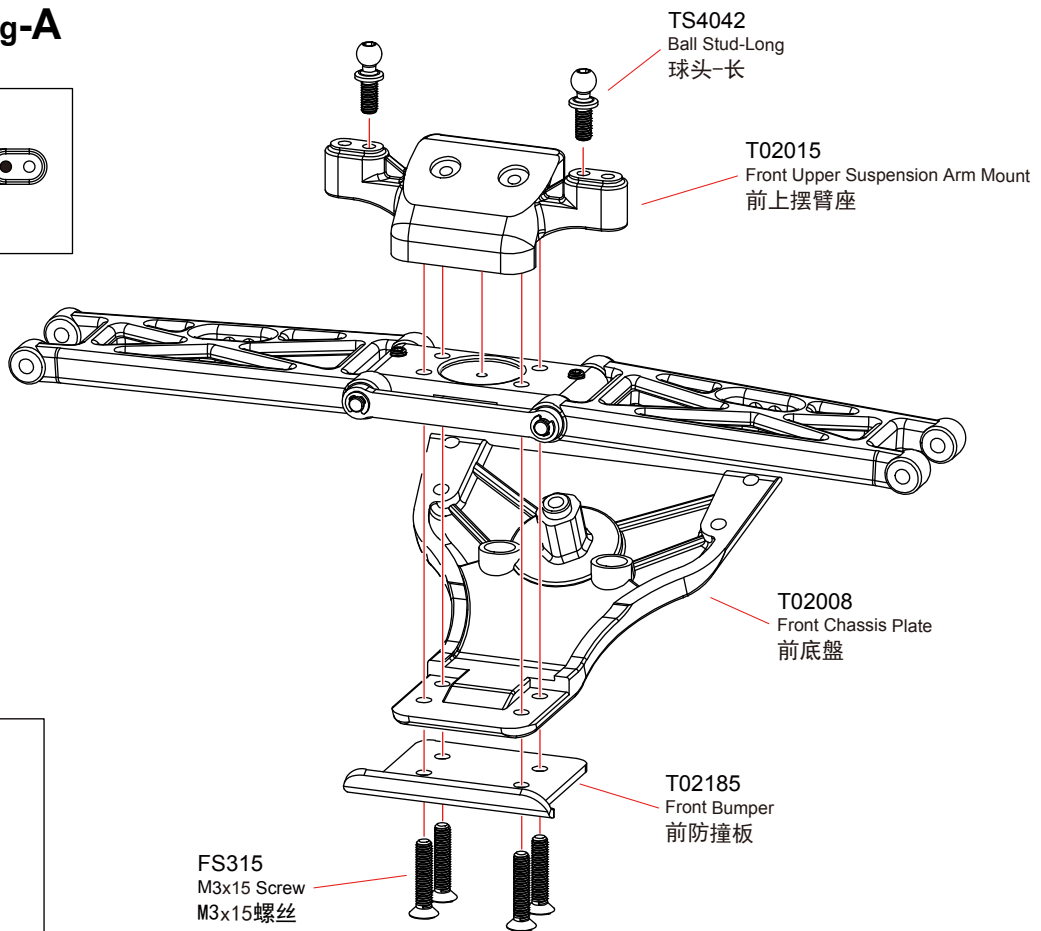
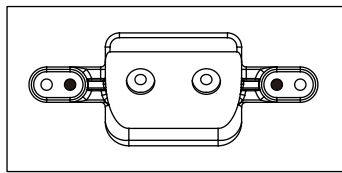
LR Bag-A



TU0222OR M3x3 Screw M3x3螺丝	2
T02056 2.3 E-ing 2.3 E扣	4
T02056 3x34.5 Hinge Pin Front-Inner 3x34.5前摆臂轴-内	2

2 Front Suspension
前悬吊系统

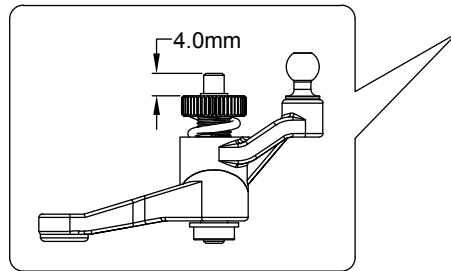
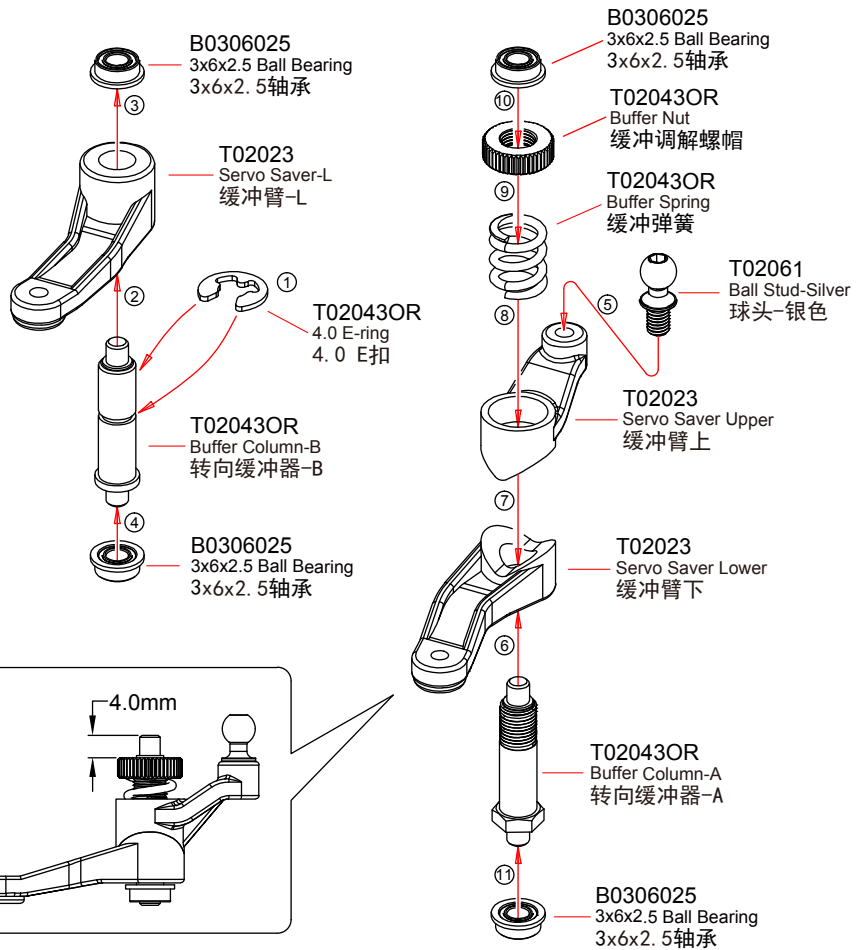
LR Bag-A



FS315 M3x15 Screw M3x15螺丝	4
TS4042 Ball Stud-Long 球头-长	2

3 Buffer
缓冲

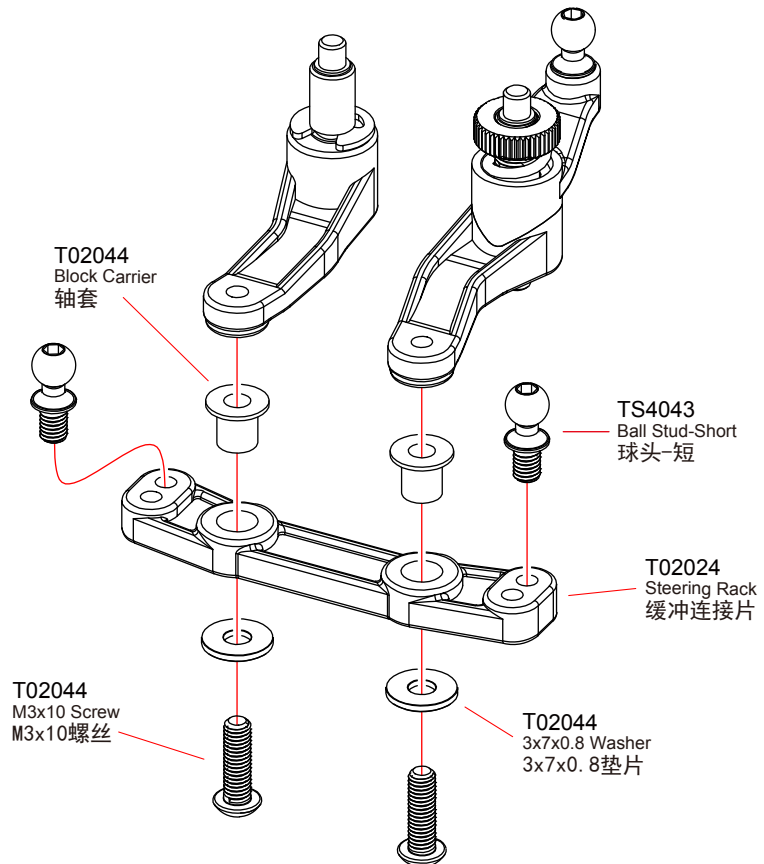
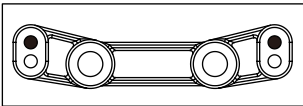
Bag-A



T02043OR 4.0 E-ring 4.0 E扣	1
B0306025 3x6x2.5 Ball Bearing 3x6x2.5轴承	4
T02061 Ball Stud-Silver 球头-银色	1

4 Buffer
缓冲

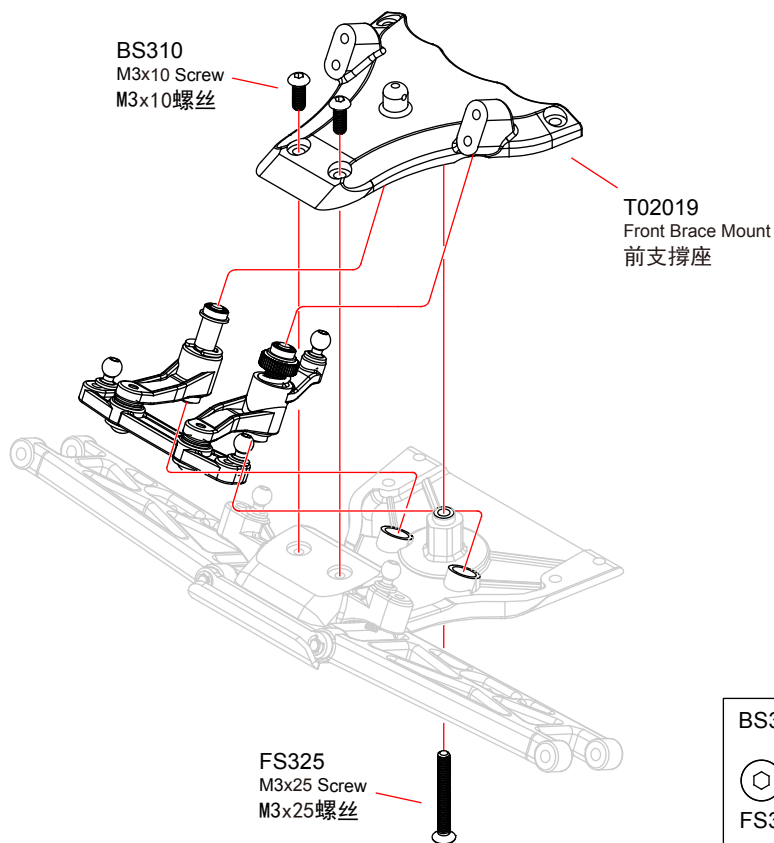
Bag-A



T02044 Block Carrier 轴套	2
T02044 M3x10 Screw M3x10螺丝	2
TS4043 Ball Stud-Short 球头-短	2
T02044 3x7x0.8 Washer 3x7x0.8垫片	2

5 Front Suspension
前悬吊系统

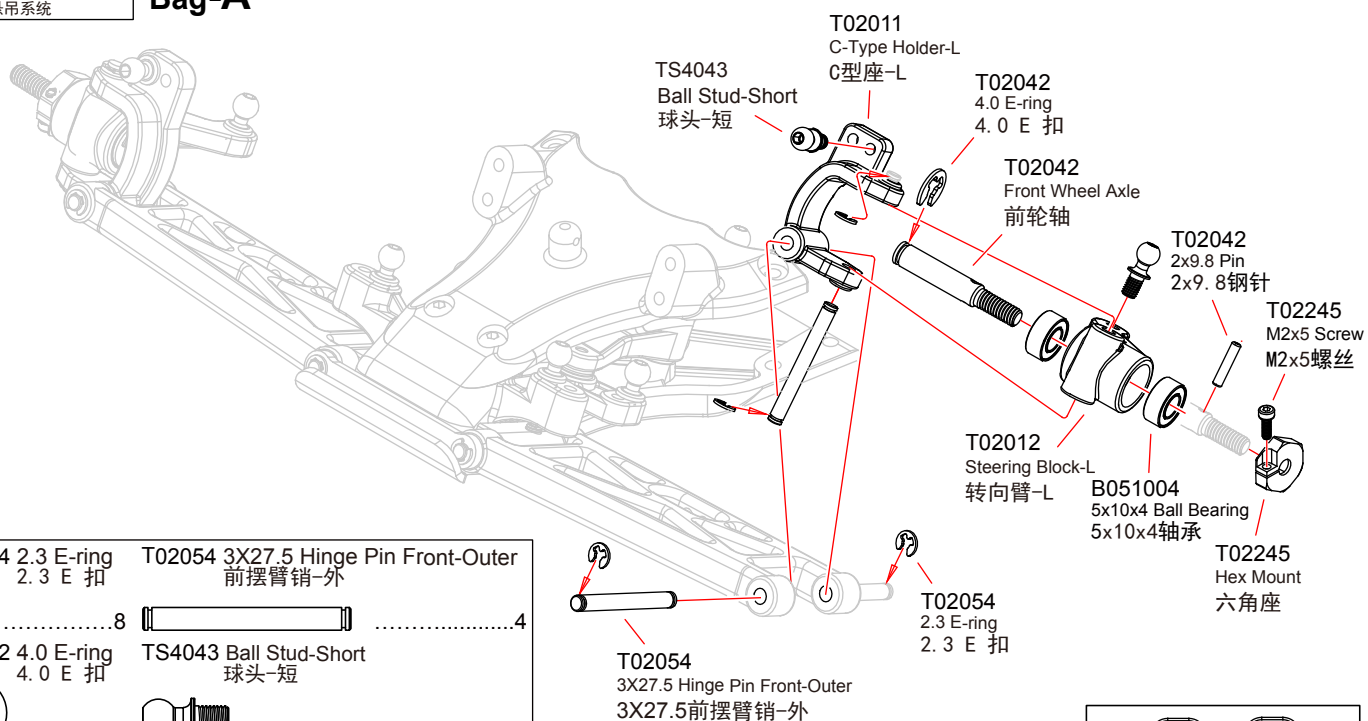
Bag-A



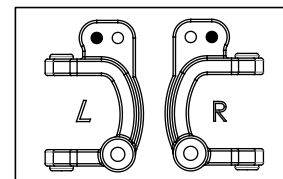
BS310 M3x10 Screw M3x10螺丝	2
FS325 M3x25 Screw M3x25螺丝	1

6 Front Suspension
前悬吊系统

Bag-A

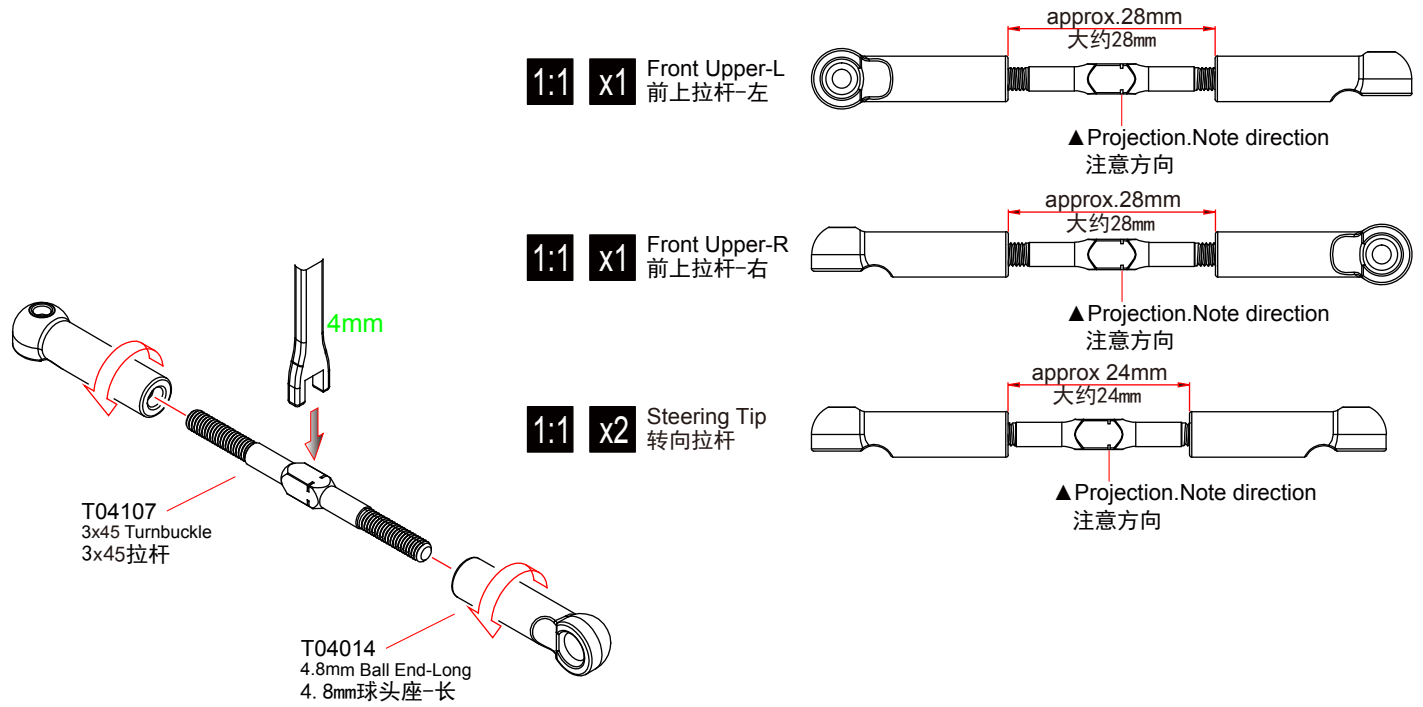


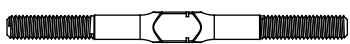

T02054 2.3 E-ring 2.3 E 扣	T02054 3X27.5 Hinge Pin Front-Outer 前摆臂销-外84
T02042 4.0 E-ring 4.0 E 扣	TS4043 Ball Stud-Short 球头-短24
T02042 2x9.8 Pin 2x9.8钢针	B051004 5x10x4 Ball Bearing 5x10x4轴承24
T02054 2.3 E-ring 2.3 E 扣	T02054 3X27.5 Hinge Pin Front-Outer 3X27.5前摆臂销-外24



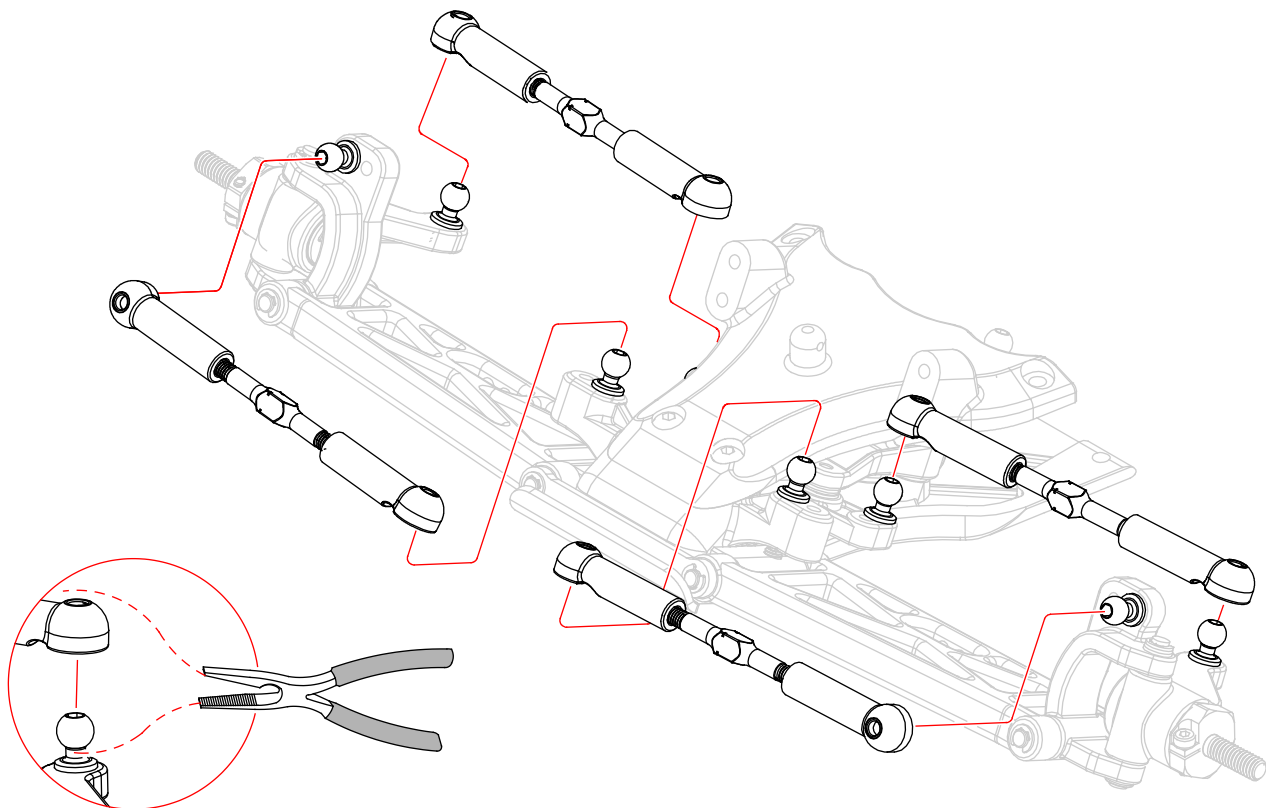
Apply threadlocker(screw cement)
打螺丝胶水

7 Turnbuckle
拉杆 **Bag-A**



T04107 3x45 Turnbuckle 3x45拉杆	T04014 4.8mm Ball End-Long 4.8mm球头座-长
	
4	8

8 Front Suspension
前悬吊系统 **Bag-A**



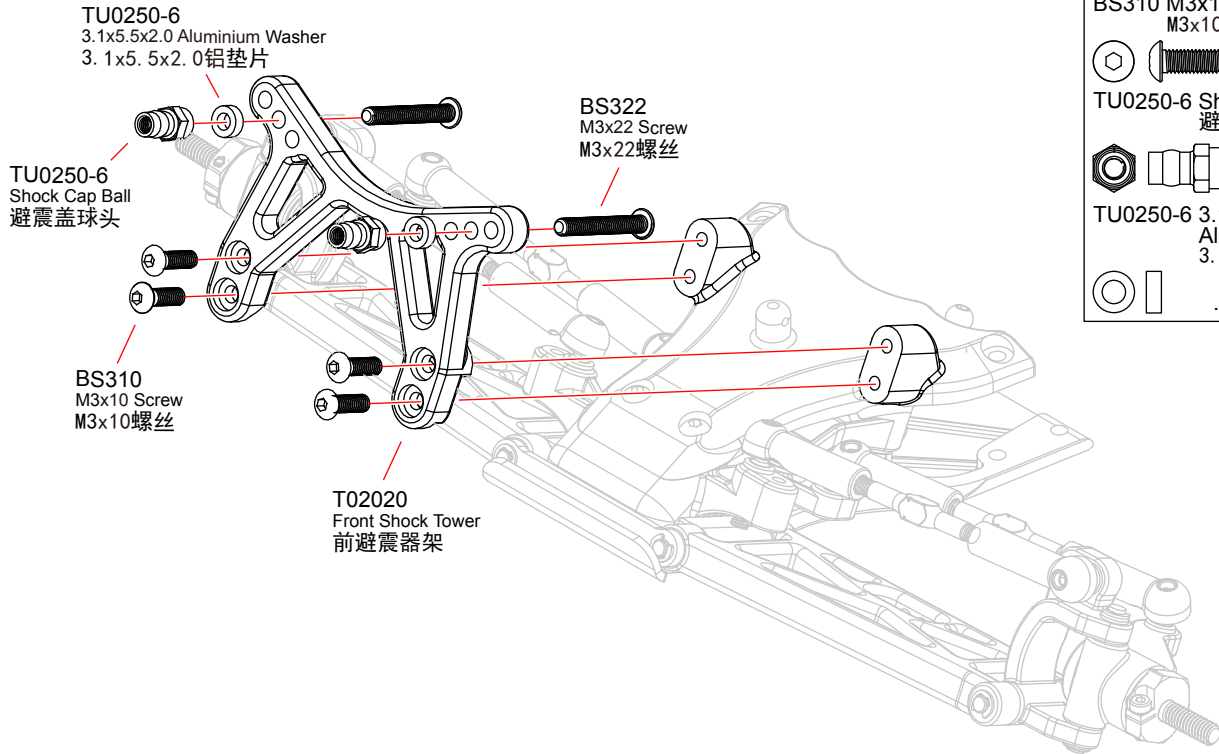
1:1 True-to-scale diagram
圖形比例

x1 Assemble as many times as specified
需組裝數量

x2 Assemble as many times as specified
需組裝數量

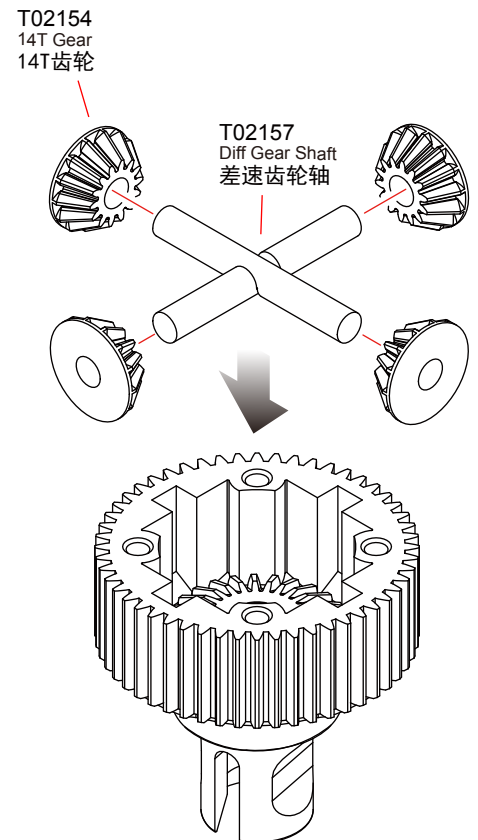
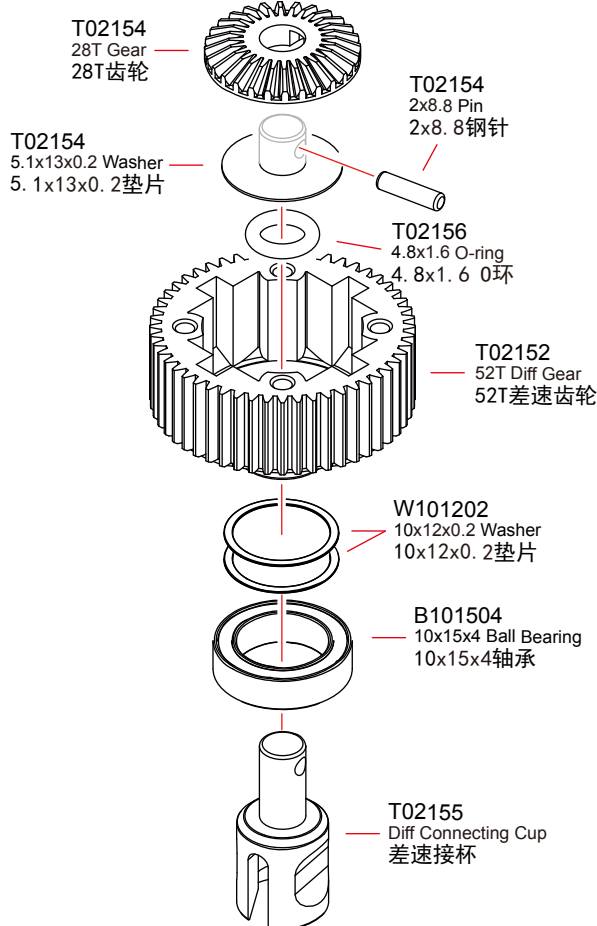
9 Front Suspension **Bag-A**
前悬吊系统

BS322 M3x22 Screw M3x22螺丝2
BS310 M3x10 Screw M3x10螺丝4
TU0250-6 Shock Cap Ball 避震盖球头2
TU0250-6 3.1x5.5x2 Aluminium Washer 3.1x5.5x2铝垫片2



10 Differential **Bag-B**
差速器

W101202 10x12x0.2 Washer 10x12x0.2垫片2
B101504 10x15x4 Ball Bearing 10x15x4轴承1
T02154 2x8.8 Pin 2x8.8钢针1
T02156 4.8x1.6 O-ring 4.8x1.6 O环1
T02154 5.1x13x0.2 Washer 5.1x13x0.2垫片1



11 Differential
差速器 **Bag-B**

W101202 10x12x0.2 Washer
10x12x0.2 垫片2

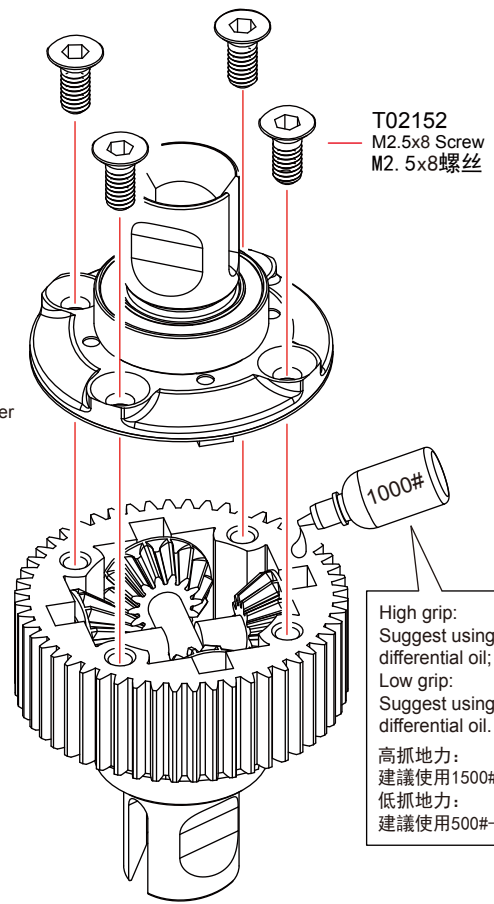
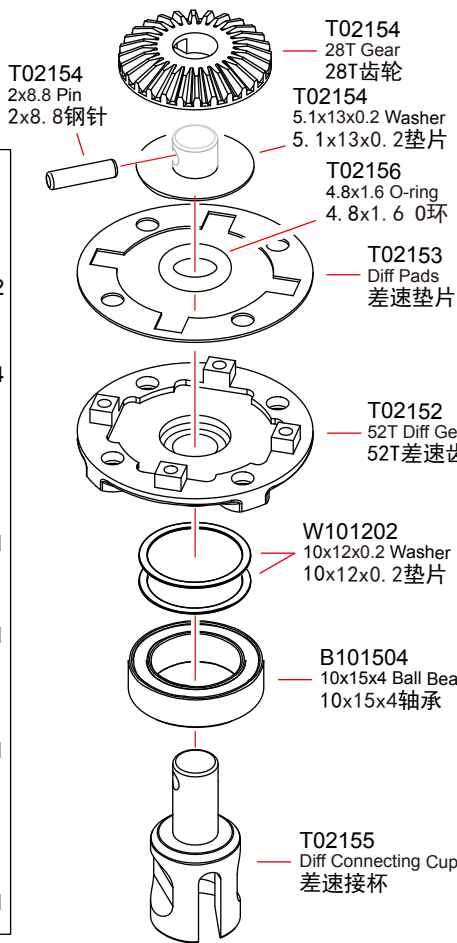
T02152 M2.5x8 Screw
M2.5x8 螺丝4

B101504 10x15x4 Ball Bearing
10x15x4 轴承1

T02154 2x8.8 Pin
2x8.8 钢针1

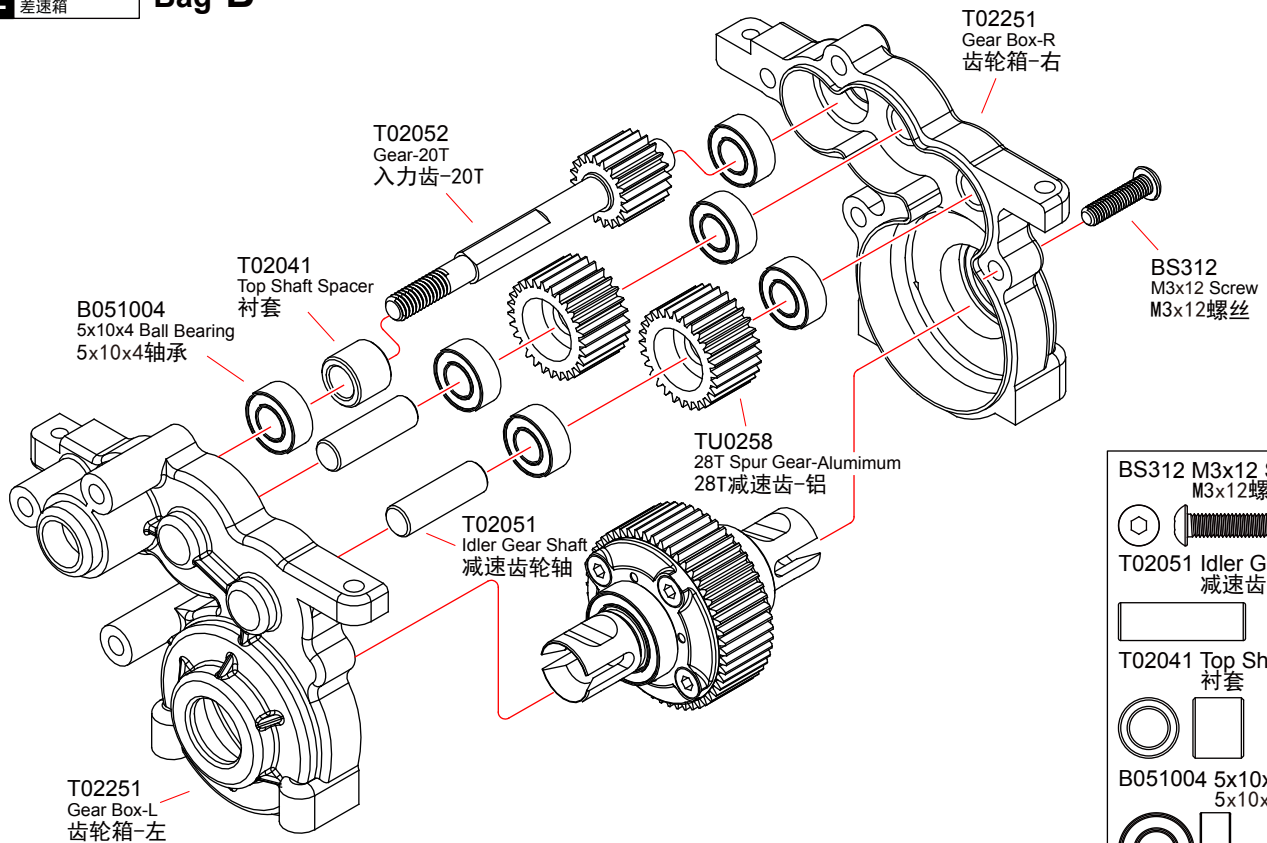
T02156 4.8x1.6 O-ring
4.8x1.6 O 环1

T02154 5.1x13x0.2 Washer
5.1x13x0.2 垫片1



High grip:
Suggest using 1500#-2000#
differential oil;
Low grip:
Suggest using 500#-700#
differential oil.
高抓地力:
建議使用1500#-2000#差速油;
低抓地力:
建議使用500#-700#差速油。

12 Transmission
差速箱 **Bag-B**



BS312 M3x12 Screw
M3x12 螺丝1

T02051 Idler Gear Shaft
减速齿轮轴2

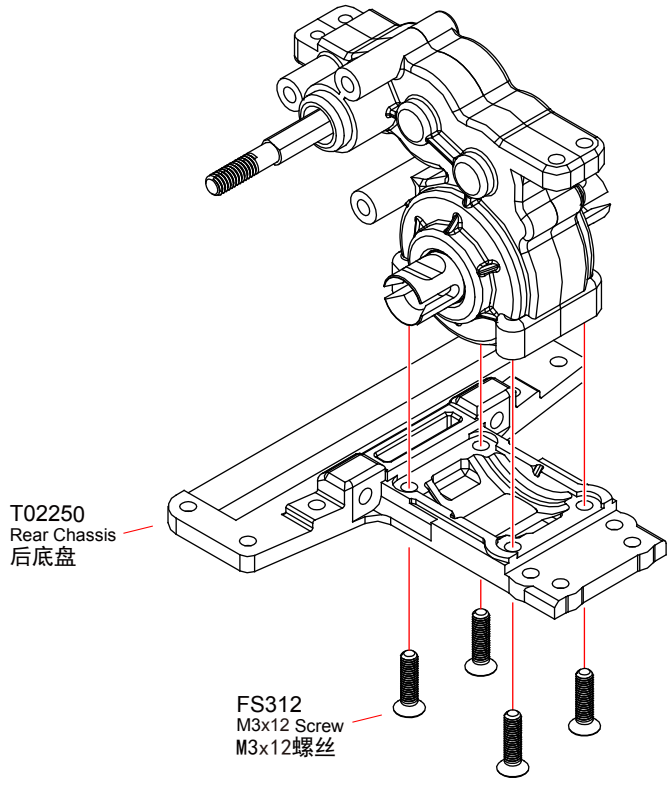
T02041 Top Shaft Spacer
衬套1

B051004 5x10x4 Ball Bearing
5x10x4 轴承6


X Must be purchased separately
需另购物品

13 Rear Chassis
后底盘

Bag-B



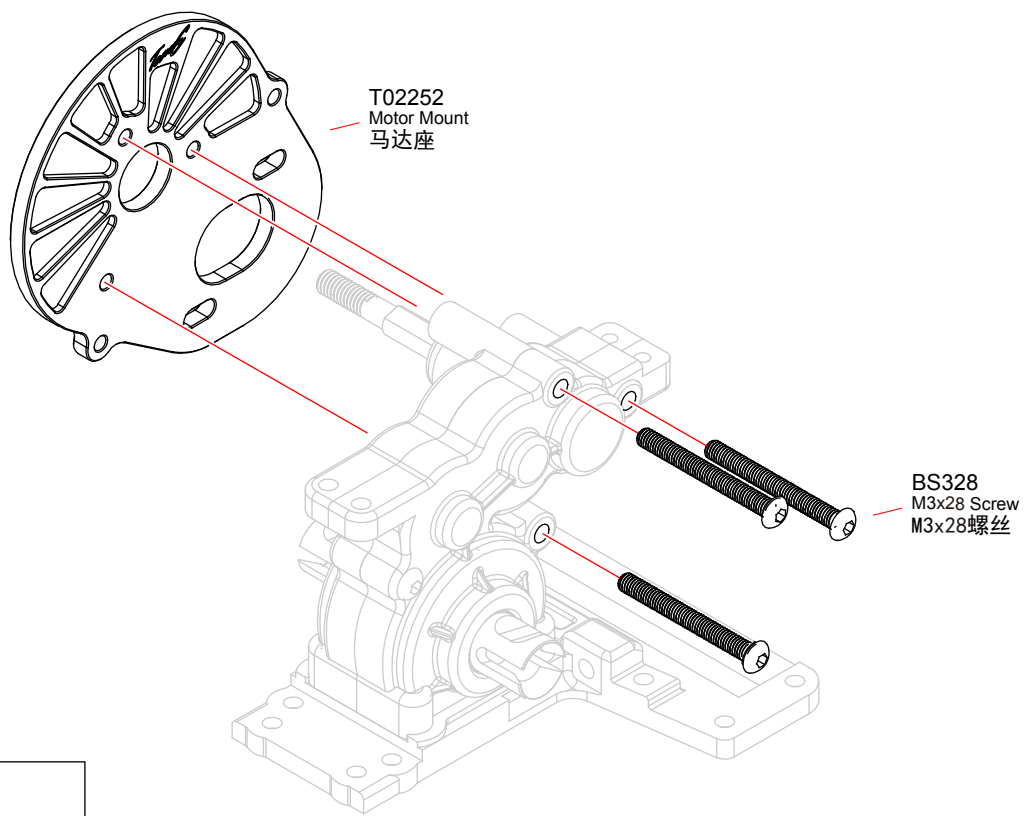
FS312 M3x12 Screw
M3x12螺丝



.....4

14 Motor Mount
马达座

Bag-B

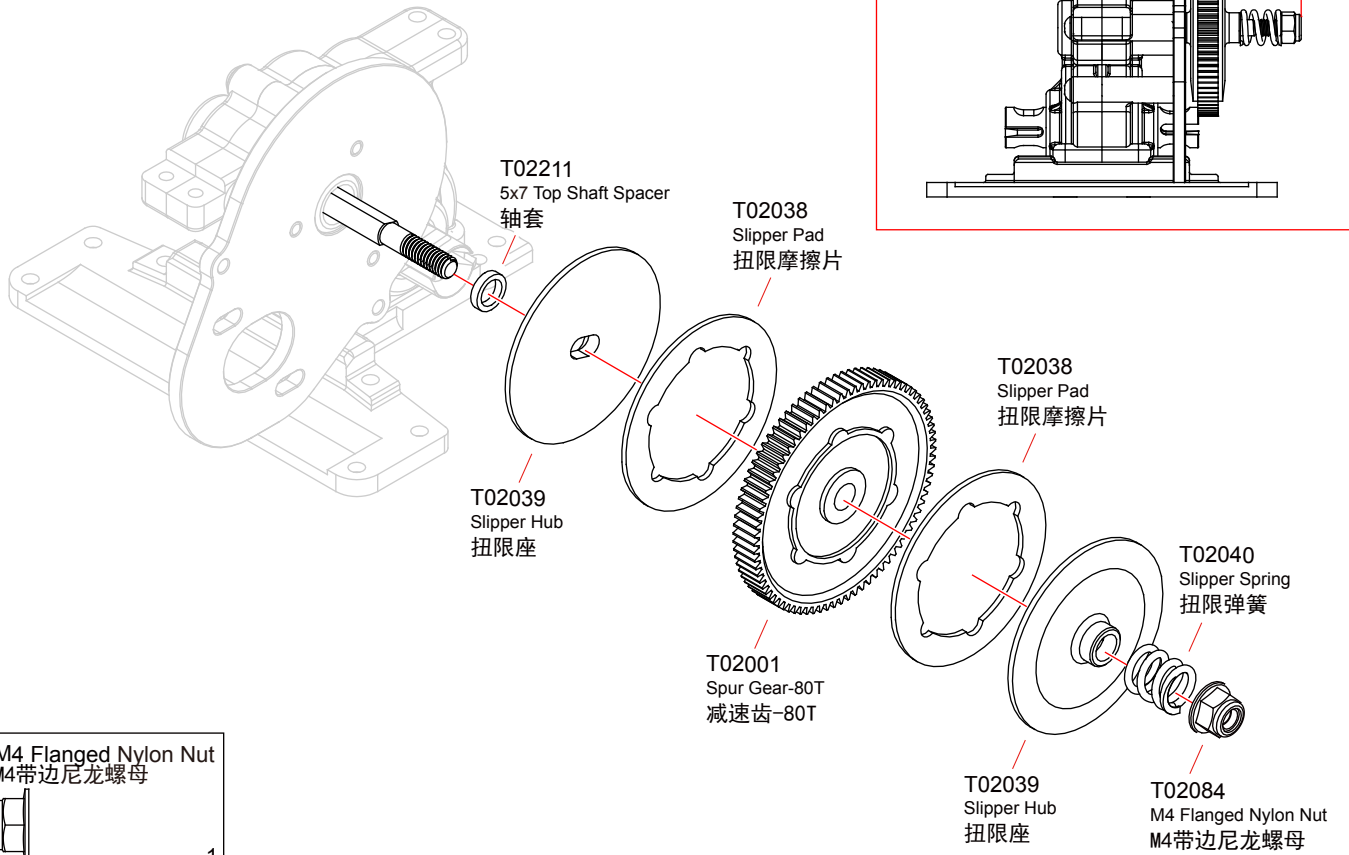


BS328 M3x28 Screw
M3x28螺丝



.....3

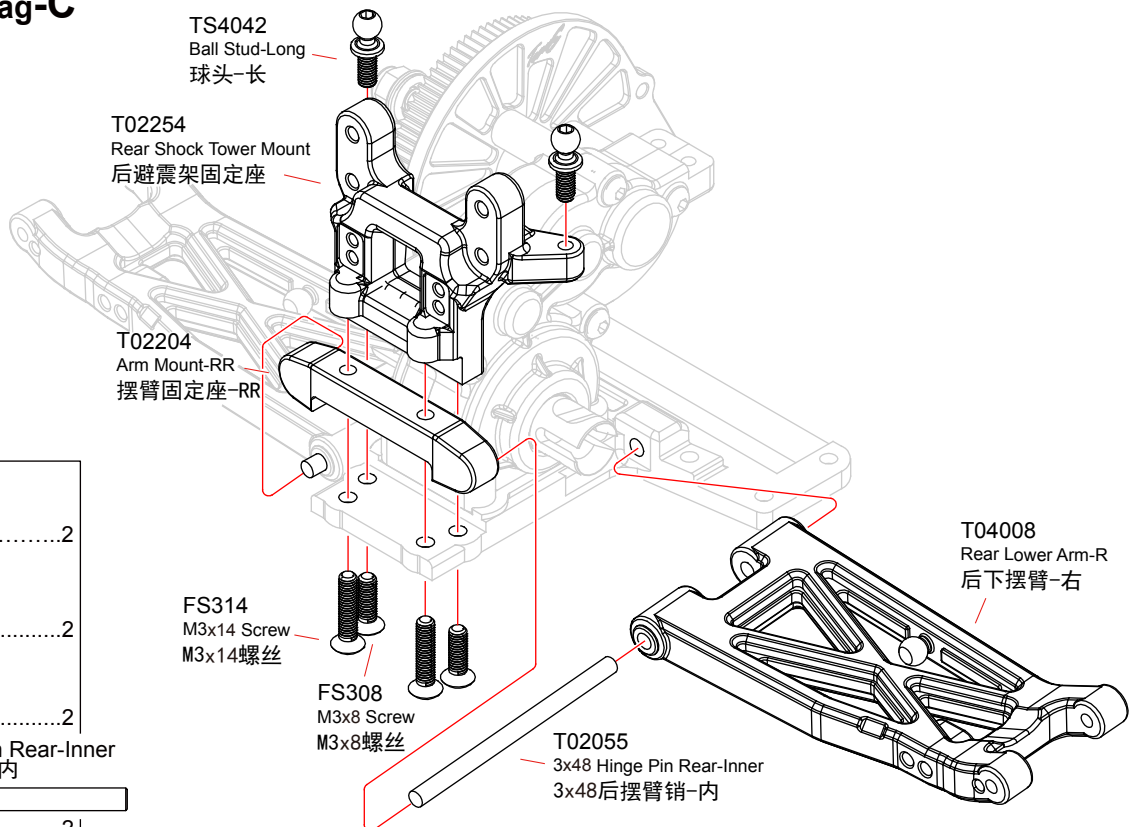
15 Spur Gear
减速齿轮 **Bag-B**



T02084 M4 Flanged Nylon Nut
M4带边尼龙螺母

.....1

16 Rear Suspension
后悬吊系统 **Bag-C**



TS4042 Ball Stud-Long
球头-长

FS314 M3x14 Screw
M3x14螺丝

FS308 M3x8 Screw
M3x8螺丝

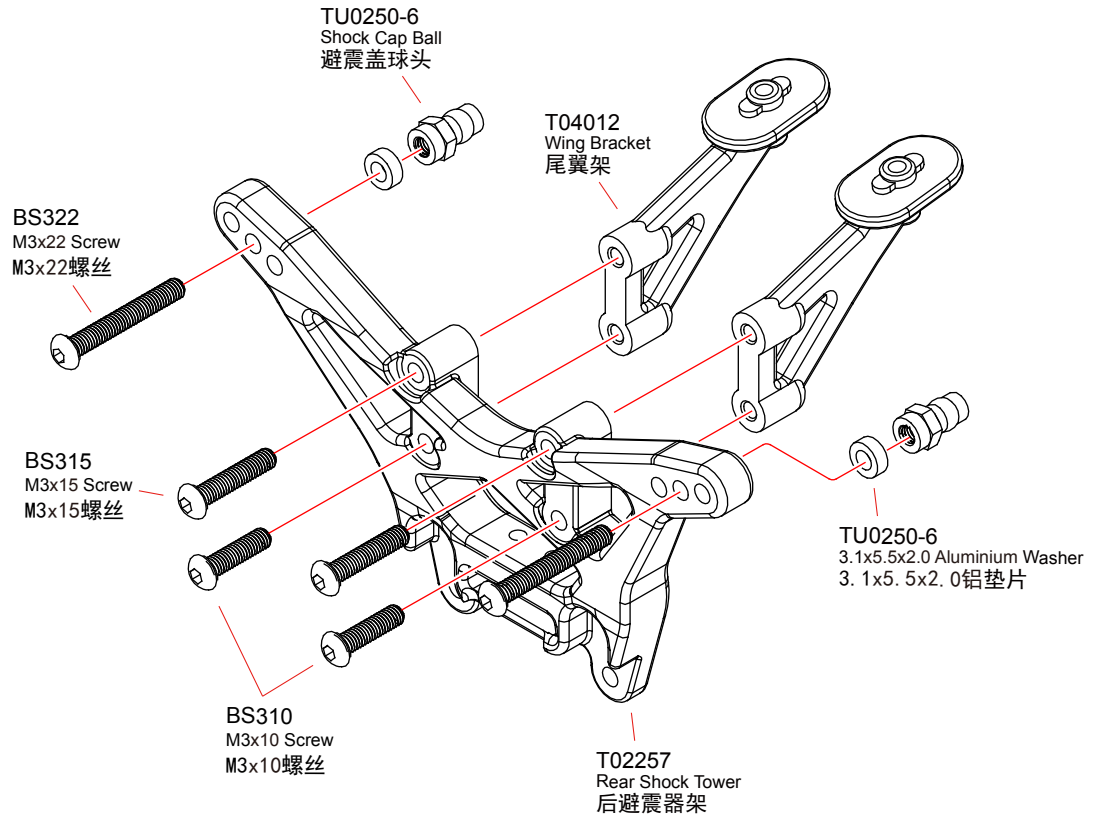
T02055 3x48 Hinge Pin Rear-Inner
3x48后摆臂轴-内

.....2

17 Rear Shock Tower
后避震架

Bag-C

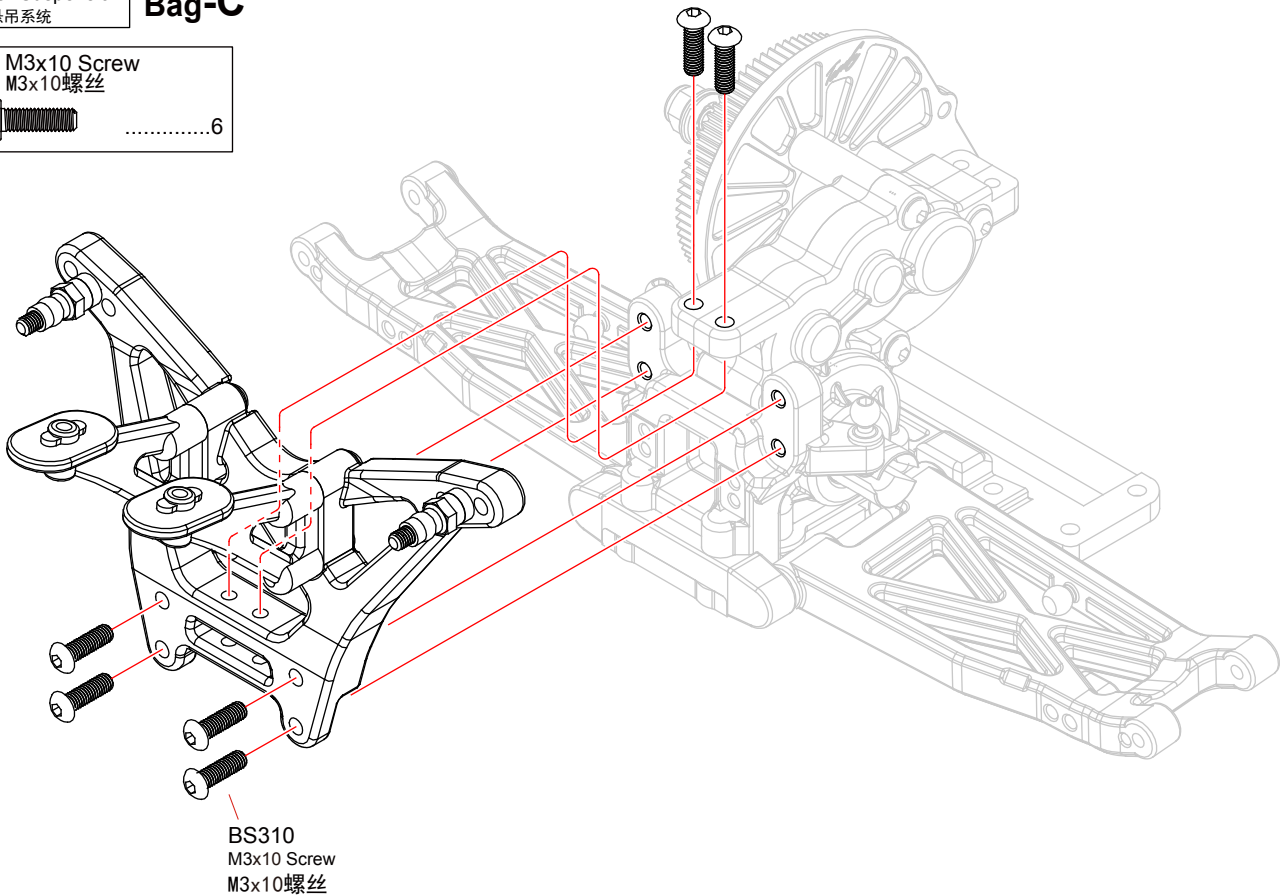
BS315 M3x15 Screw M3x15螺丝2
BS322 M3x22 Screw M3x22螺丝2
BS310 M3x10 Screw M3x10螺丝2
TU0250-6 Shock Cap Ball 避震盖球头2
TU0250-6 3.1x5.5x2 Aluminium Washer 3.1x5.5x2.0铝垫片2
2



18 Rear Suspension
后悬吊系统

Bag-C

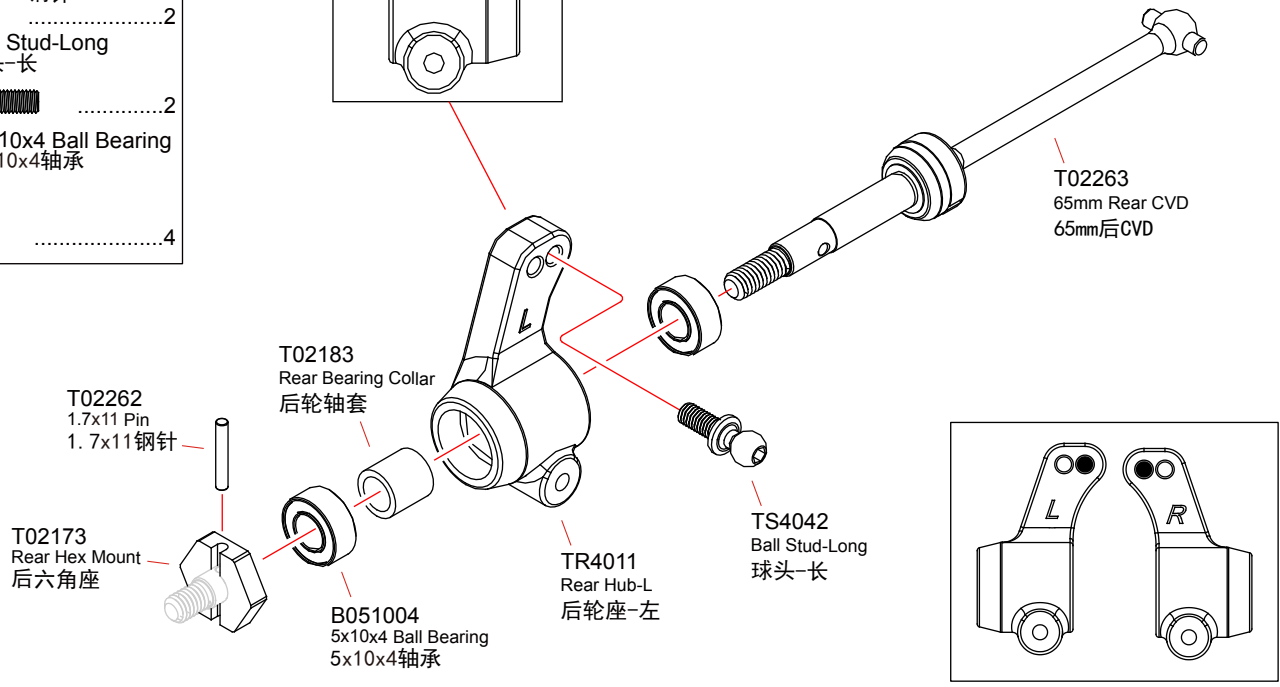
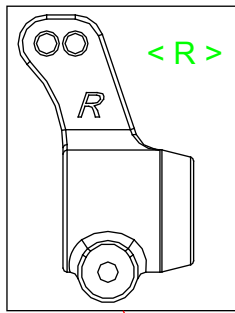
BS310 M3x10 Screw M3x10螺丝6
------------------------------	--------



19 Rear Hub Carrier
后轮座

LR Bag-C

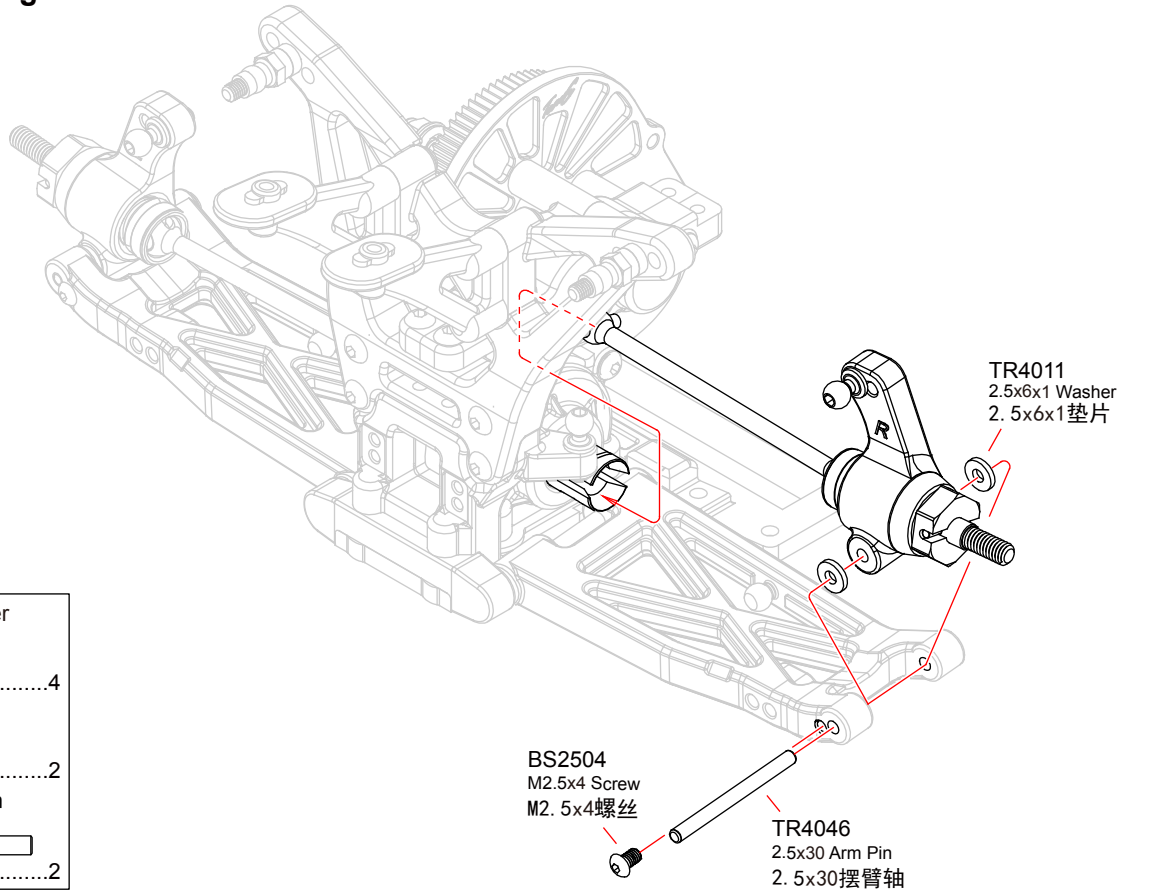
- T02183 Rear Bearing Collar
后轮轴套2
- T02262 1.7x11 Pin
1.7x11钢针2
- TS4042 Ball Stud-Long
球头-长2
- B051004 5x10x4 Ball Bearing
5x10x4轴承4



20 Rear Suspension
后悬吊系统

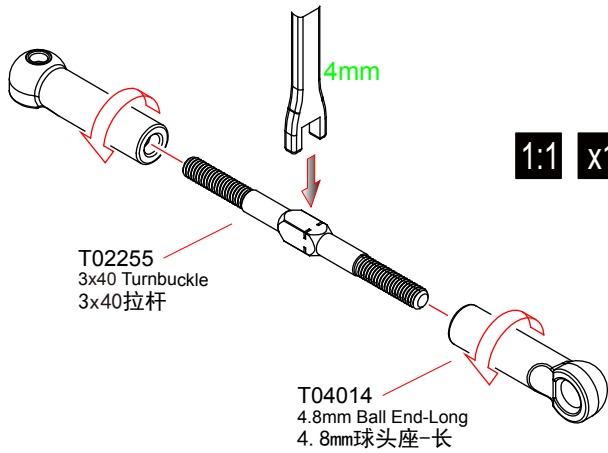
LR Bag-C

- TR4011 2.5x6x1 Washer
2.5x6x1垫片4
- BS2504 M2.5x4 Screw
M2.5x4螺丝2
- TR4046 2.5x30 Arm Pin
2.5x30摆臂轴2

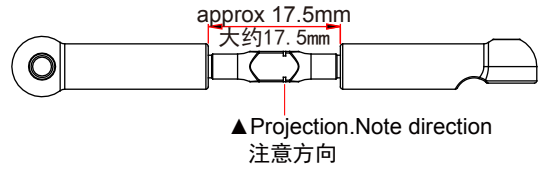


LR Assemble both Left and Right
組裝左和右

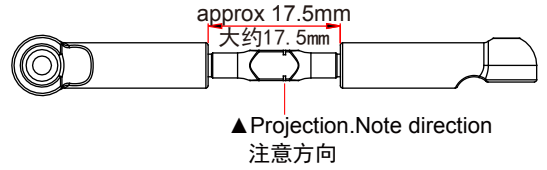
21 Turnbuckle 拉杆 Bag-C



1:1 **x1** Rear Upper-L
后上拉杆-左

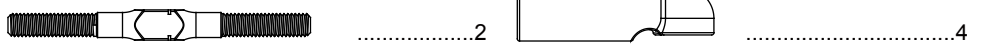


1:1 **x1** Rear Upper-R
后上拉杆-右

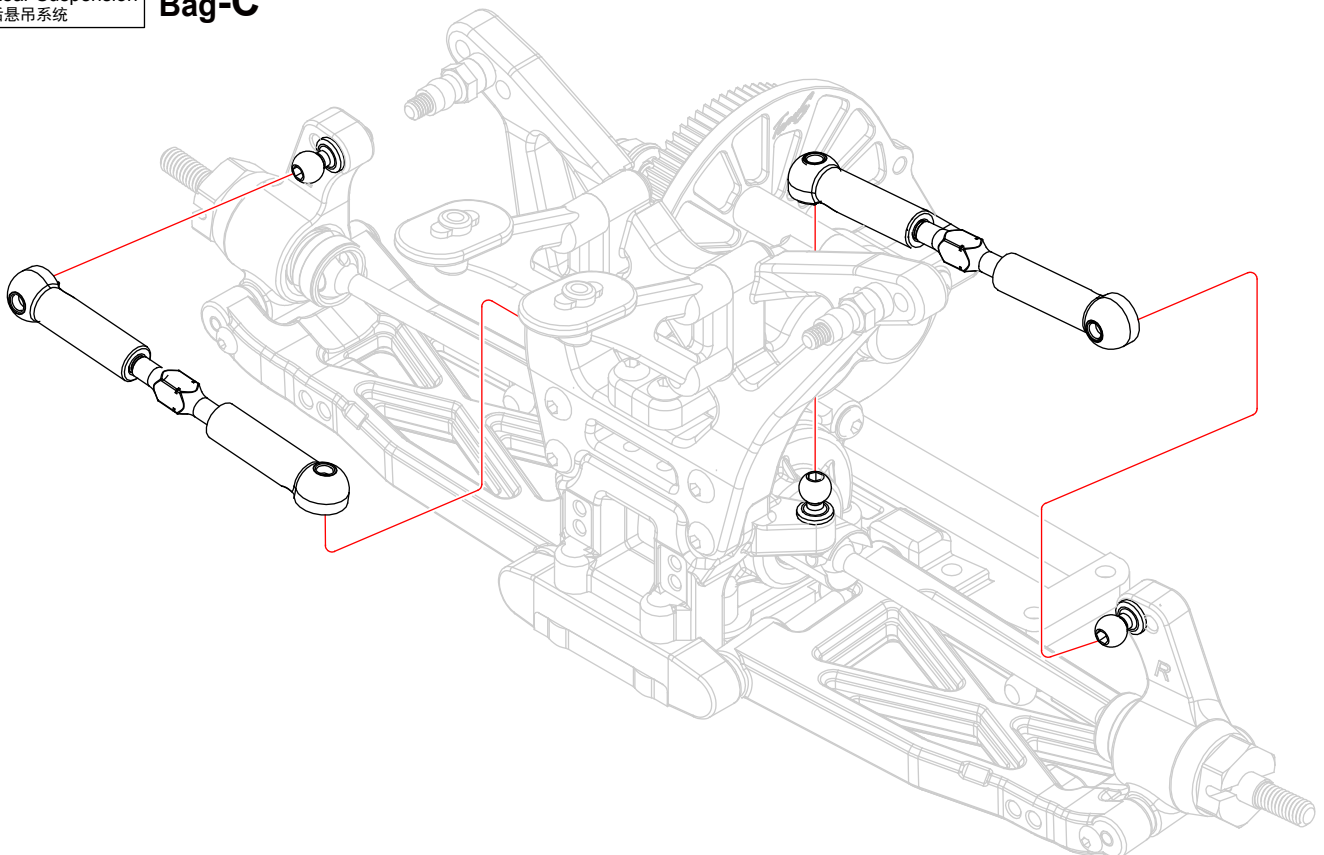


T02255 3x40 Turnbuckle
3x40拉杆

T04014 4.8mm Ball End-Long
4.8mm球头座-长



22 Rear Suspension 后悬吊系统 Bag-C



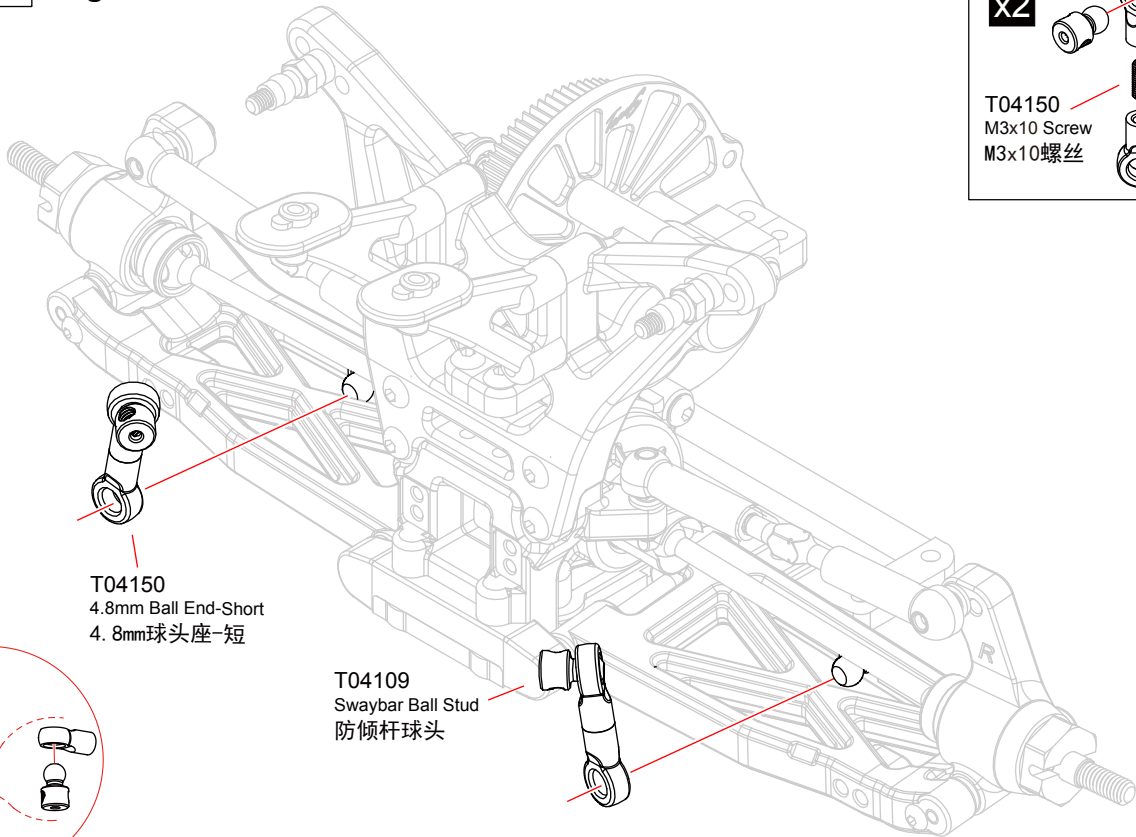
1:1 True-to-scale diagram
图形比例

x1 Assemble as many times as specified
需组裝數量

23 Rear Swaybar
后防倾杆 **Bag-C**

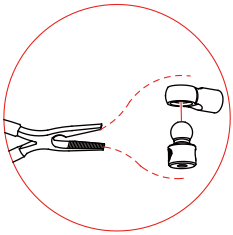
x2

T04150
M3x10 Screw
M3x10螺丝




T04150
4.8mm Ball End-Short
4.8mm球头座-短

T04109
Swaybar Ball Stud
防倾杆球头




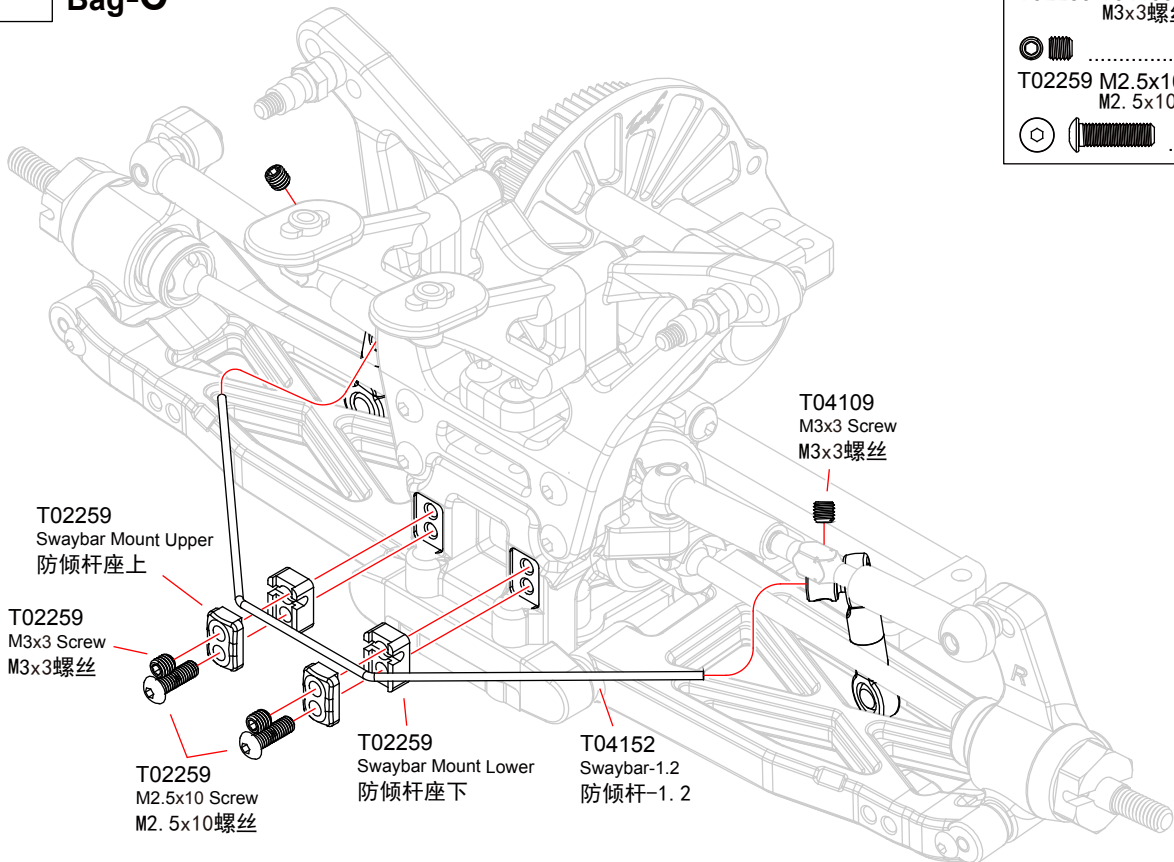
24 Rear Swaybar
后防倾杆 **Bag-C**

T02259/T04109 M3x3 Screw
M3x3螺丝

 4

T02259 M2.5x10 Screw
M2.5x10螺丝

 2



T02259
Swaybar Mount Upper
防倾杆座上

T02259
M3x3 Screw
M3x3螺丝

T02259
M2.5x10 Screw
M2.5x10螺丝

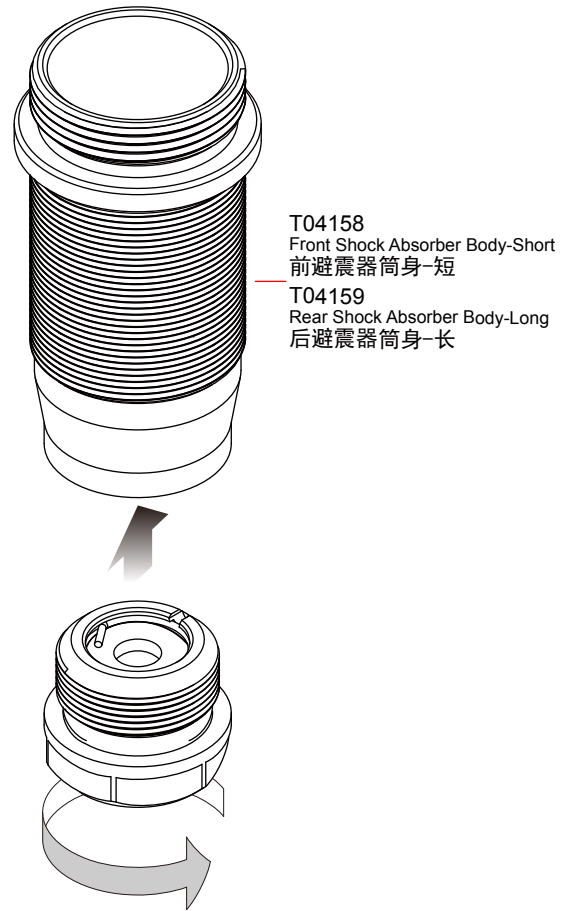
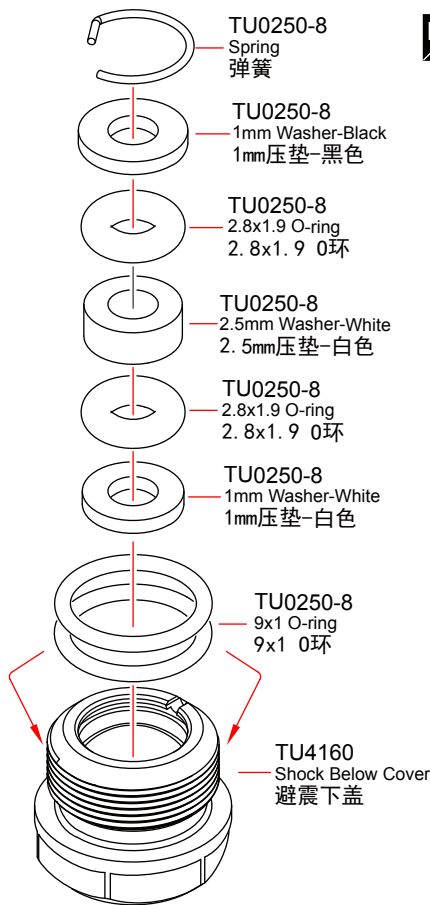
T02259
Swaybar Mount Lower
防倾杆座下

T04152
Swaybar-1.2
防倾杆-1.2

T04109
M3x3 Screw
M3x3螺丝

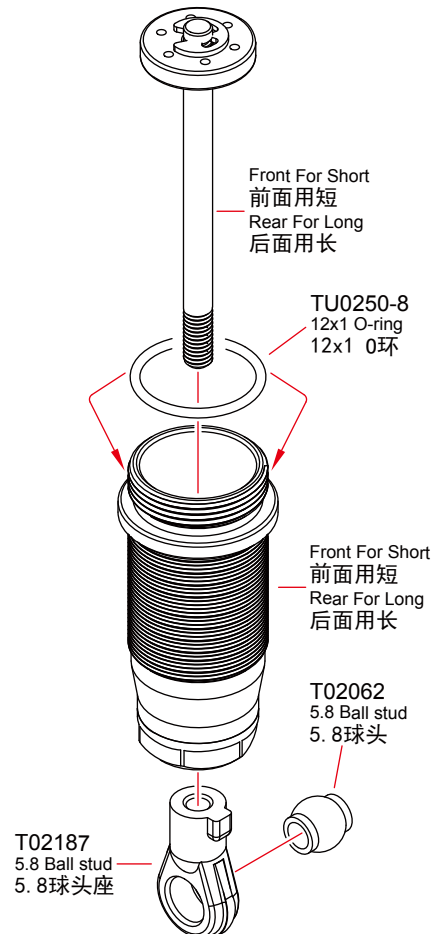
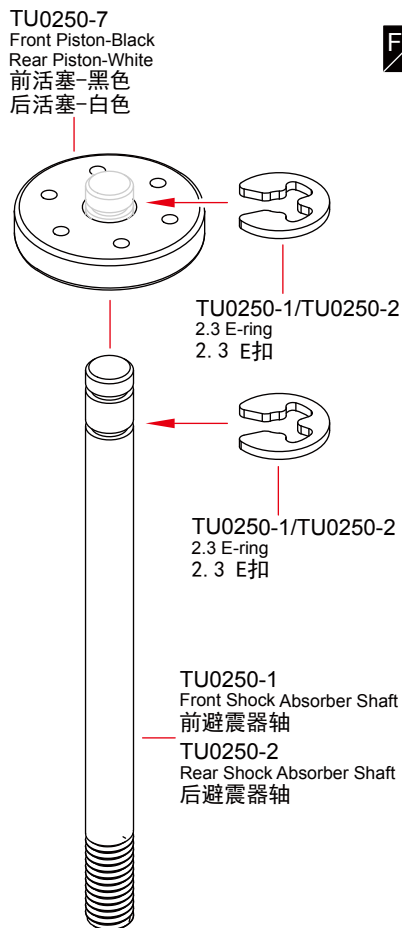
25 Shock Absorber 避震器 Bag-D

TU0250-8 Spring 弹簧	4
TU0250-8 1mm Washer-Black 1mm压垫-黑色	4
TU0250-8 1mm Washer-White 1mm压垫-白色	4
TU0250-8 2.5mm Washer-White 2.5mm压垫-白色	4
TU0250-8 2.8x1.9 O-ring 2.8x1.9 O环	4
TU0250-8 9x1 O-ring 9x1 O环	8
TU0250-8 9x1 O-ring 9x1 O环	8



26 Shock Absorber 避震器 Bag-D

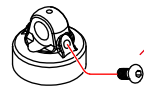
TU0250-1/TU0250-2 2.3 E-ring 2.3 E扣	8
TU0250-7 Front Piston-Black 前活塞-黑色	2
TU0250-7 Rear Piston-White 后活塞-白色	2
TU0250-8 12x1 O-ring 12x1 O环	4
T02187 5.8 Ball End 5.8球头座	4
T02062 5.8 Ball Stud 5.8球头	4
T02062 5.8 Ball Stud 5.8球头	4



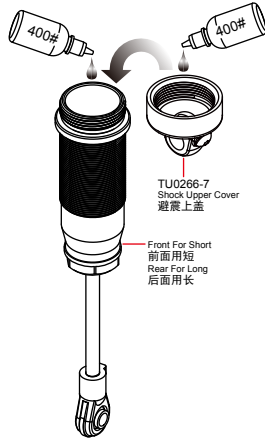
27 Shock Absorber Bag-D
避震器

F/R **x2**

TU0266-7
M2.5x4 Screw
M2.5x4螺丝



Please locking the screw.
将螺丝锁紧。

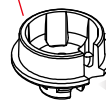


Front For Short
前面用短
Rear For Long
后面用长

Please loosening the screw.
将螺丝松开。



TU0266-7
Below Spring Mount End
弹簧下座



TU0266-7
M2.5x4 Screw
M2.5x4螺丝

Front For Short
前面用短
Rear For Long
后面用长

TU0250-8
14x1.5 O-ring
14x1.5 O环

T04161
Spring Adjuster
弹簧调节座

TU0250-12F
Front Shock Absorber Spring-Medium
前避震器弹簧-中

TU0250-10R
Rear Shock Absorber Spring-Medium
后避震器弹簧-中

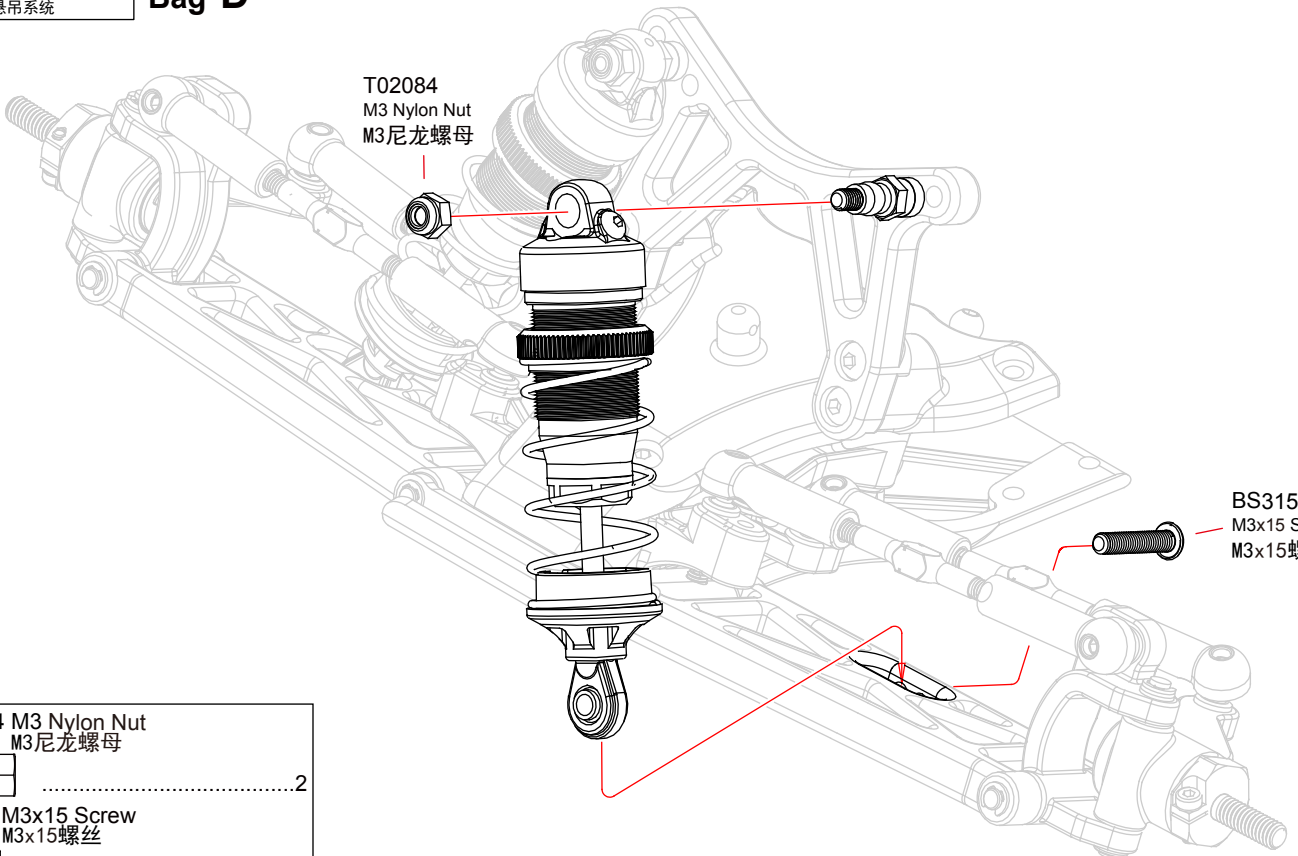
TU0266-7 M2.5x4 Screw
M2.5x4螺丝

.....4

TU0250-8 14x1.5 O-ring
14x1.5 O环

.....4

28 Front Suspension Bag-D
前悬吊系统



T02084
M3 Nylon Nut
M3尼龙螺母

BS315
M3x15 Screw
M3x15螺丝

T02084 M3 Nylon Nut
M3尼龙螺母

.....2

BS315 M3x15 Screw
M3x15螺丝

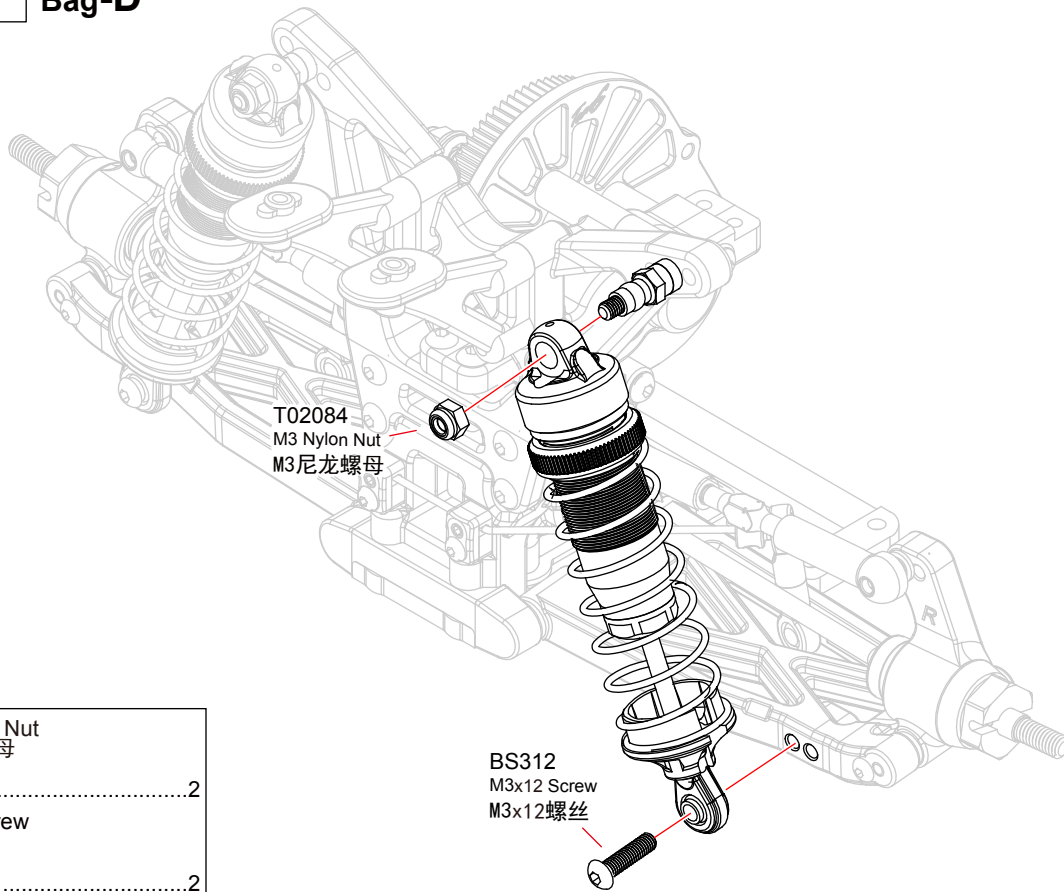
.....2

F/R Assemble both front and rear
組裝前面和後面

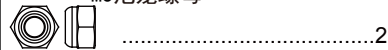
x2 Assemble as many times as specified
需組裝數量

29 Rear Suspension
后悬吊系统

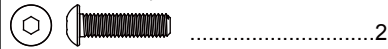
Bag-D



T02084 M3 Nylon Nut
M3尼龙螺母



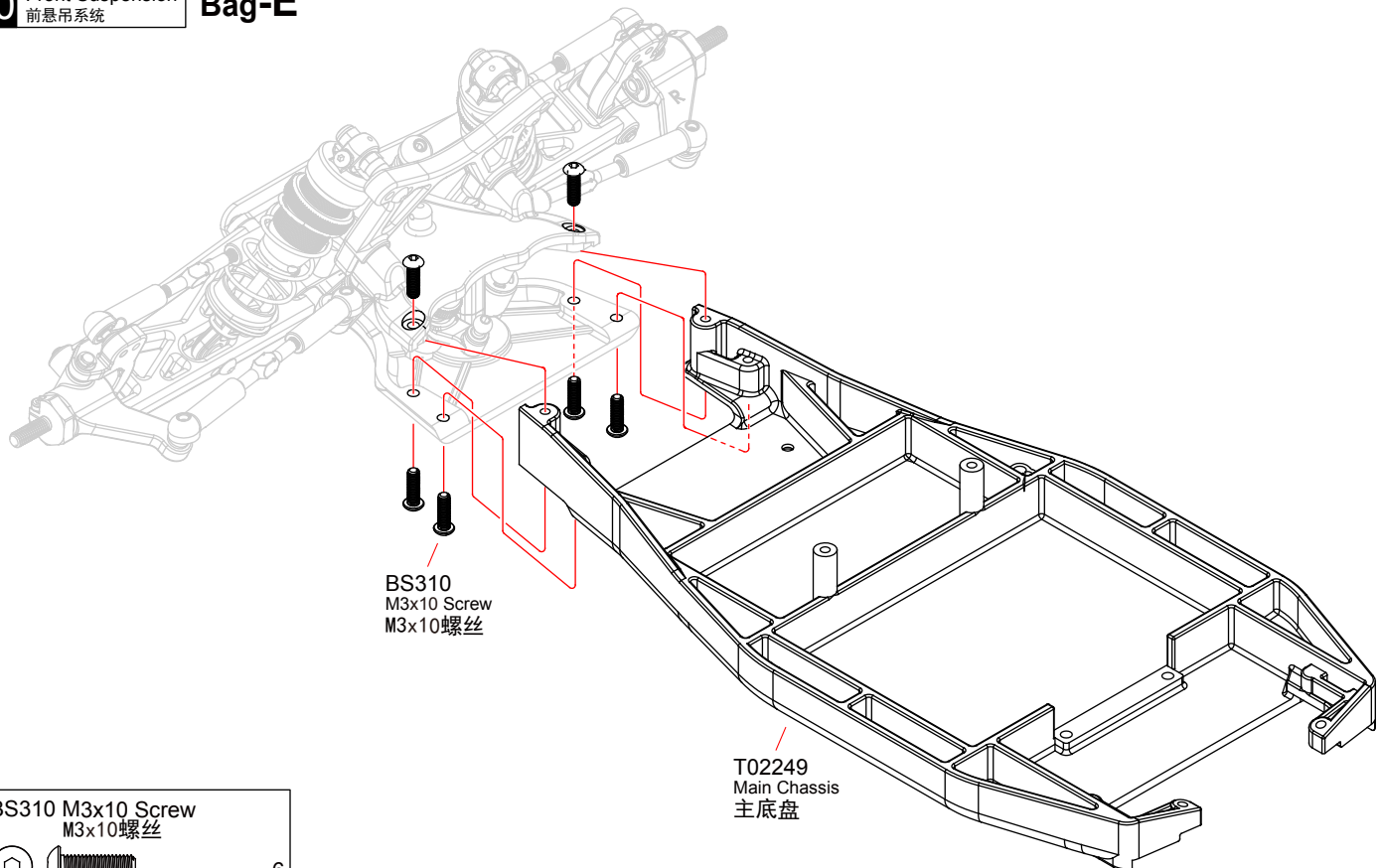
BS312 M3x12 Screw
M3x12螺丝



BS312
M3x12 Screw
M3x12螺丝

30 Front Suspension
前悬吊系统

Bag-E



BS310
M3x10 Screw
M3x10螺丝

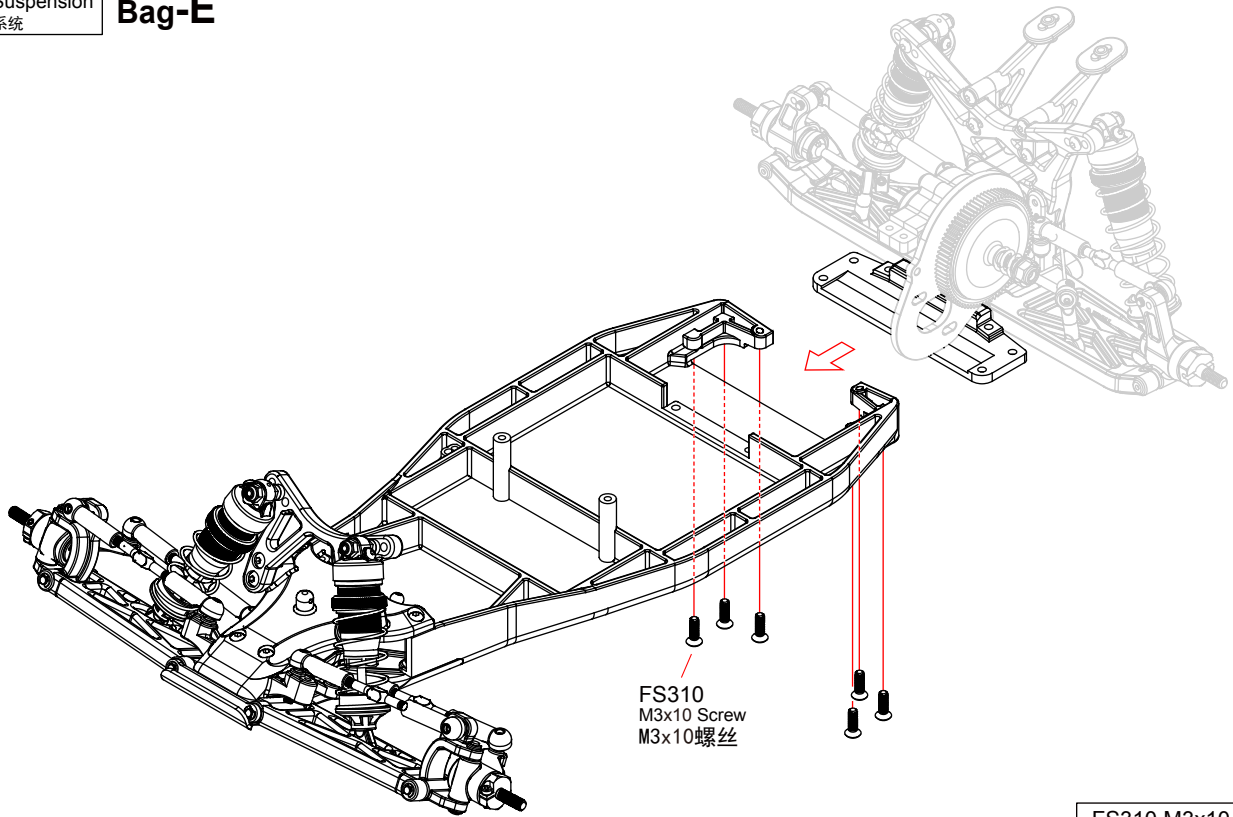
T02249
Main Chassis
主底盘

BS310 M3x10 Screw
M3x10螺丝



31 Rear Suspension
后悬吊系统

Bag-E



FS310
M3x10 Screw
M3x10螺丝

FS310 M3x10 Screw
M3x10螺丝



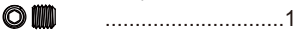
32 Motor
马达

Bag-E

W3708 3x7x0.8 Washer
3x7x0.8垫片



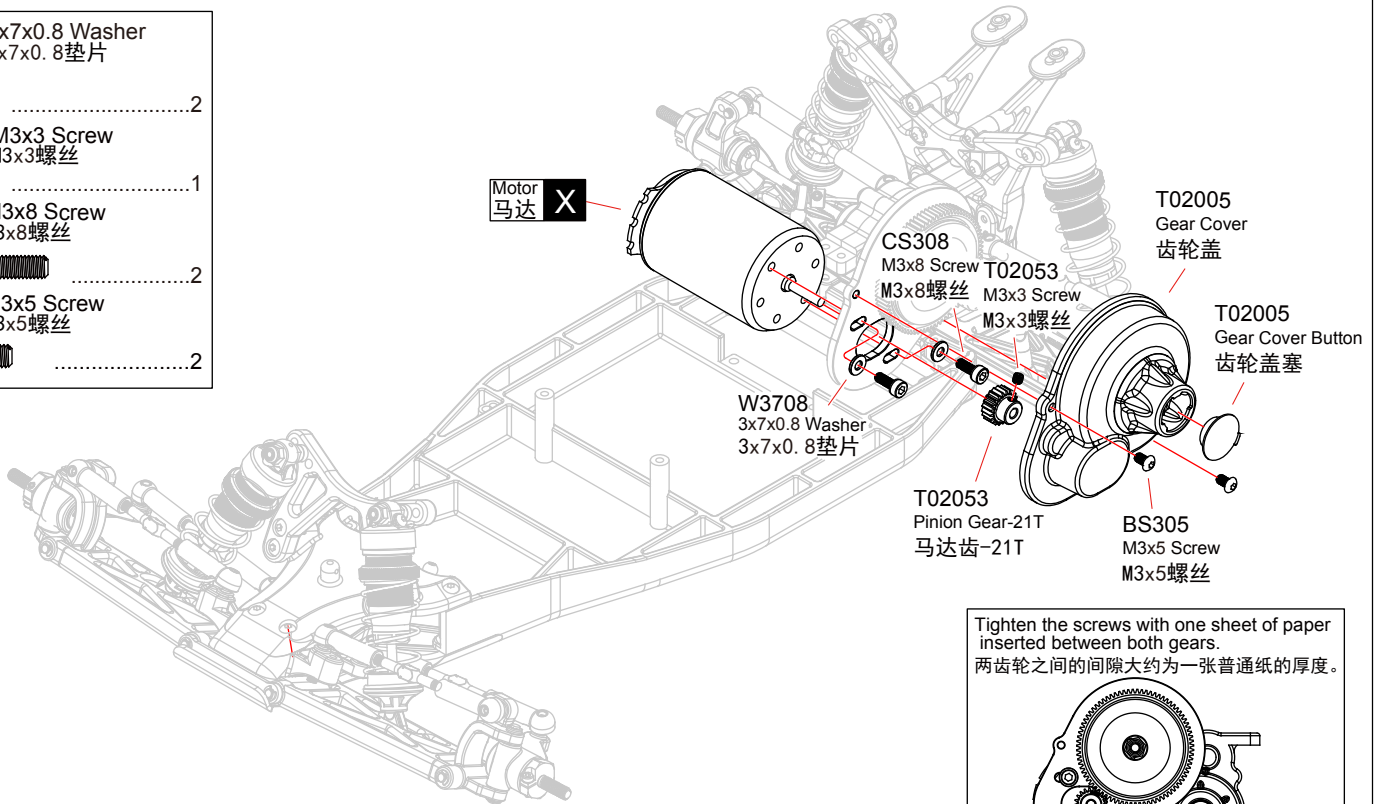
T02053 M3x3 Screw
M3x3螺丝



CS308 M3x8 Screw
M3x8螺丝



BS305 M3x5 Screw
M3x5螺丝



Motor
马达 X

CS308
M3x8 Screw
M3x8螺丝

T02005
Gear Cover
齿轮盖

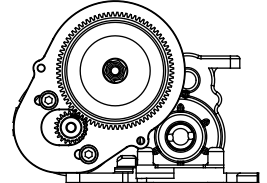
T02005
Gear Cover Button
齿轮盖塞

W3708
3x7x0.8 Washer
3x7x0.8垫片

T02053
Pinion Gear-21T
马达齿-21T

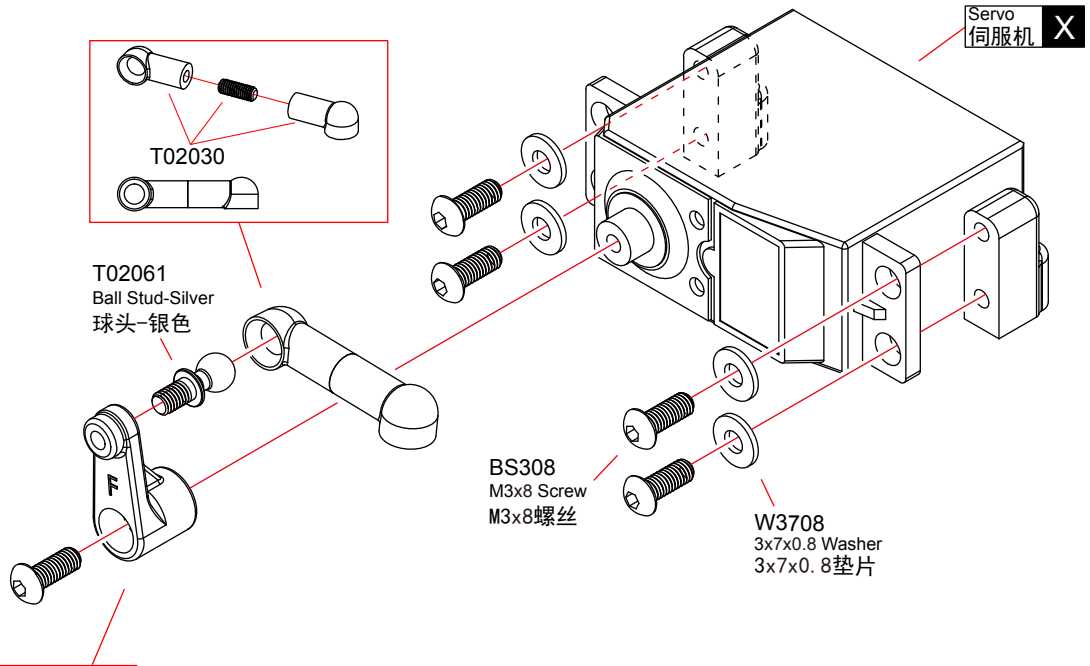
BS305
M3x5 Screw
M3x5螺丝

Tighten the screws with one sheet of paper
inserted between both gears.
两齿轮之间的间隙大约为一张普通纸的厚度。

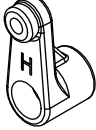


33 Steering Servo 转向伺服系统 **Bag-E**

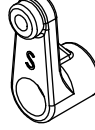
- T02030 4.8 Ball End-Short 球头座-短2
- T02061 Ball Stud-Silver 球头-银色1
- W3708 3x7x0.8 Washer 3x7x0.8垫片4
- BS308 M3x8 Screw M3x8螺丝5
- T02030 M3x10 Screw M3x10螺丝1



Select for your servo 根据伺服器选择

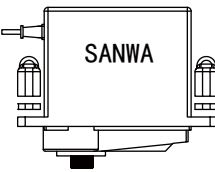


Steering Servo-H(24T)
转向伺服臂H(24T)



Steering Servo-S(23T)
转向伺服臂S(23T)

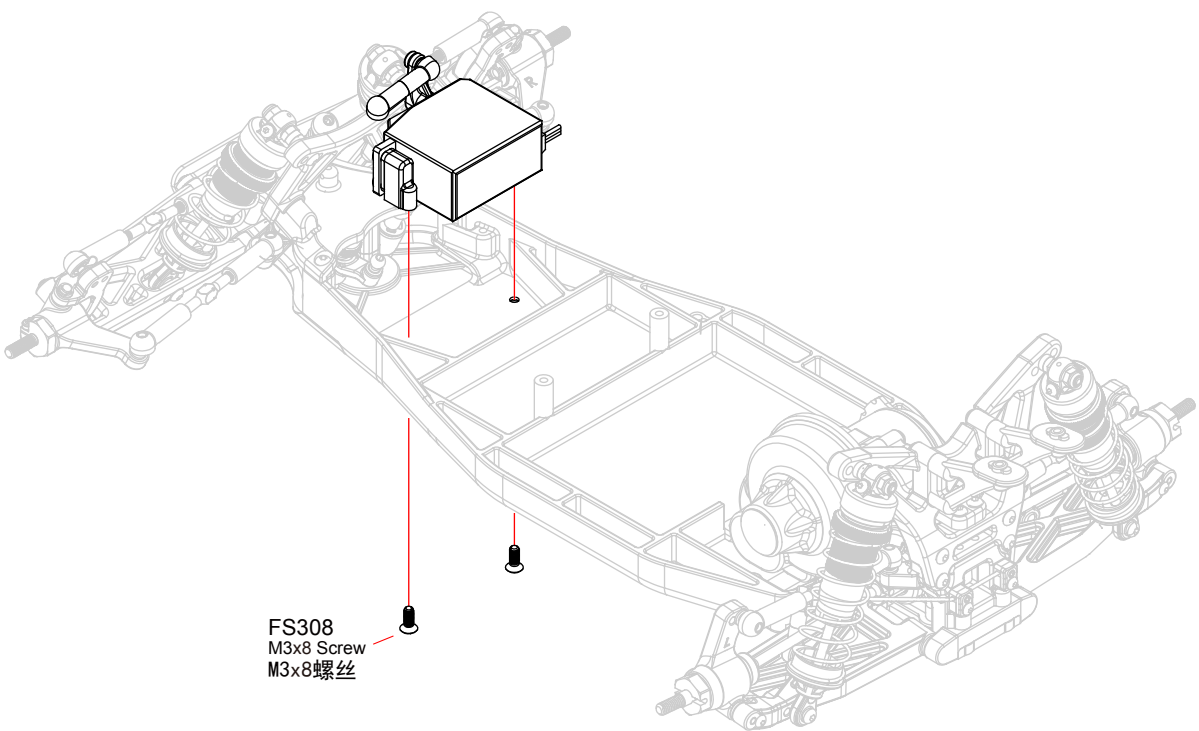
Sanwa servo



SANWA

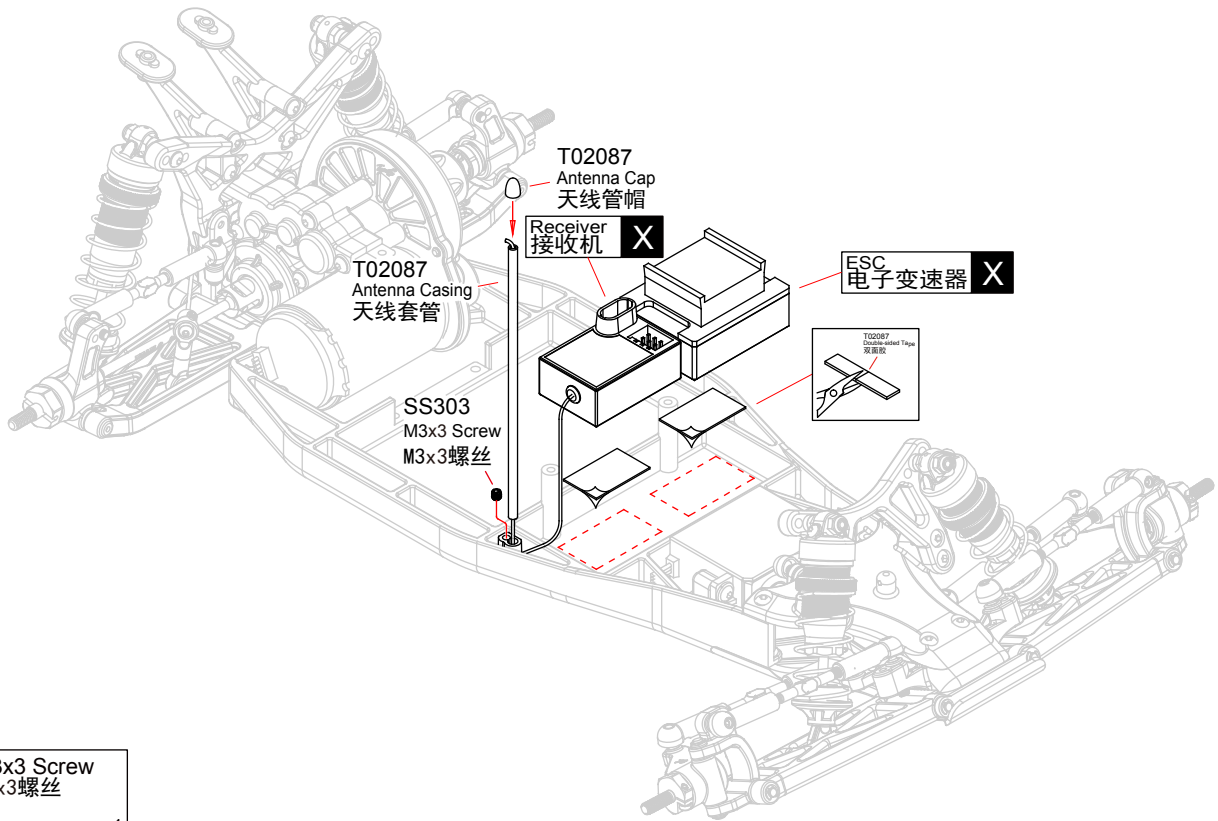
T02028
T02035

34 Steering Servo 转向伺服系统 **Bag-E**



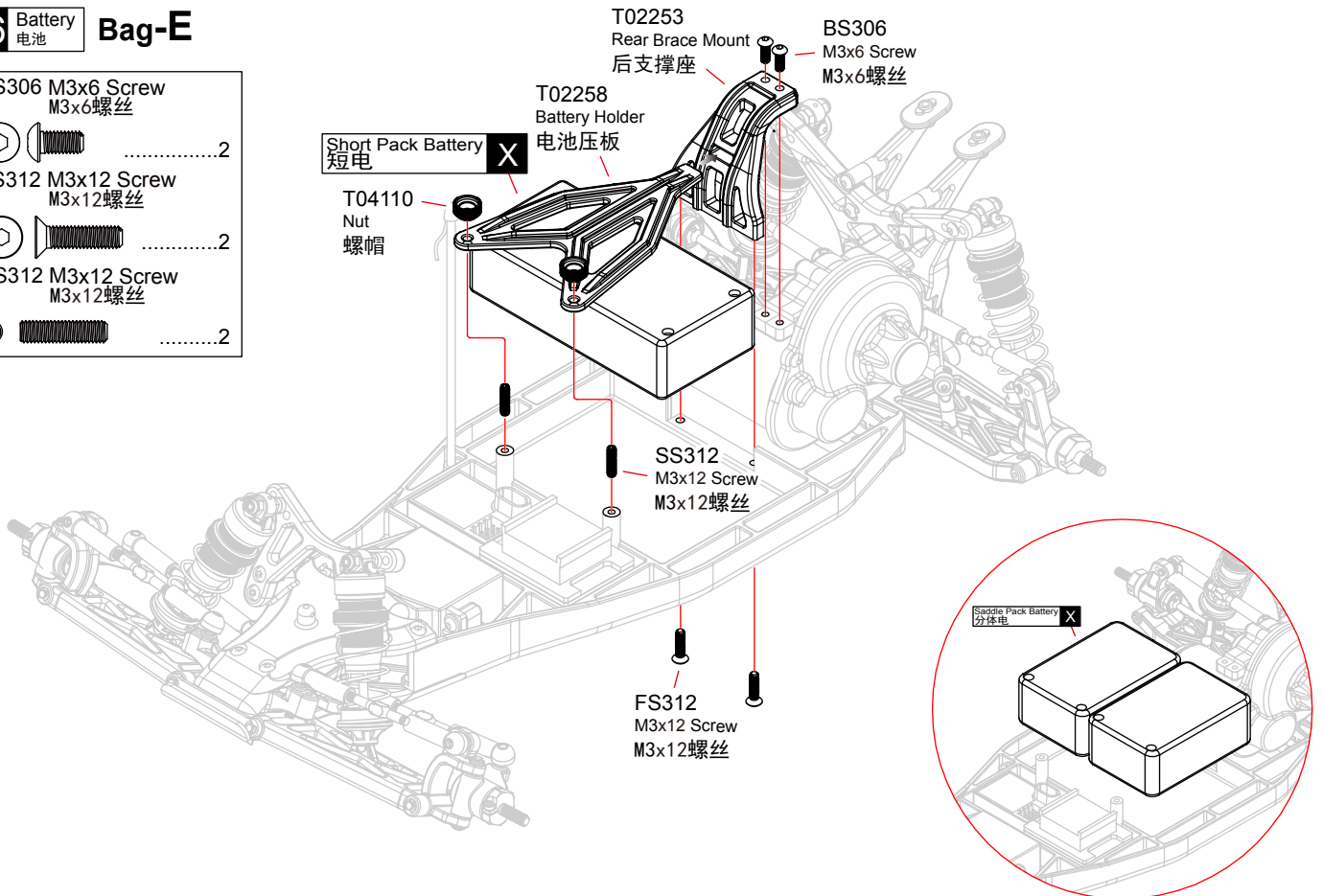
- FS308 M3x8 Screw M3x8螺丝2

X Must be purchased separately 需另購物品



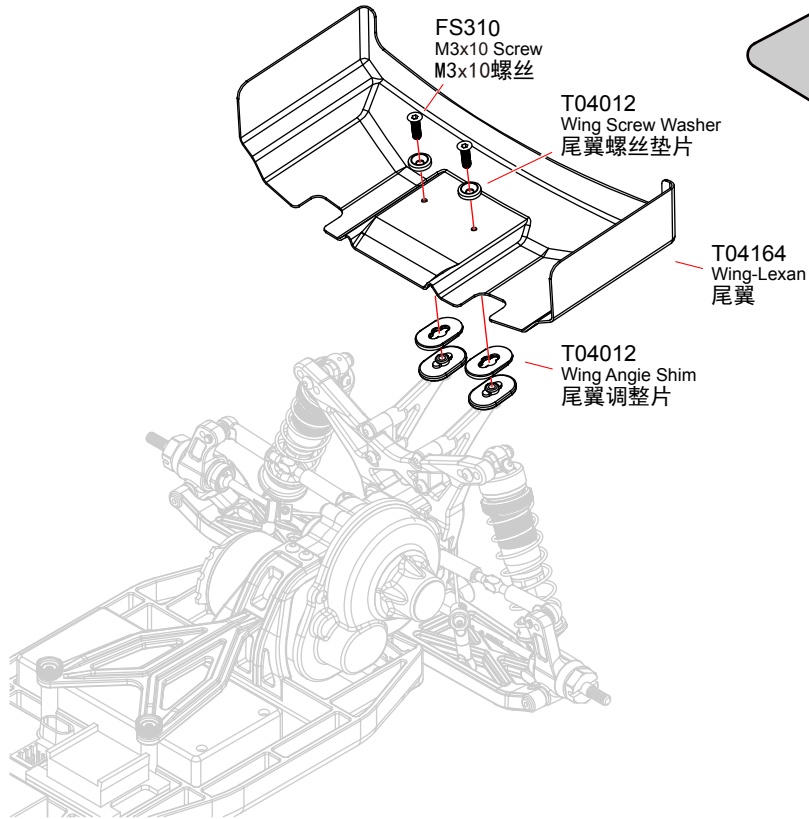
- SS303 M3x3 Screw
M3x3螺丝
-1

-2
-2
-2
-2



37 Wing
尾翼 **Bag-E/G**

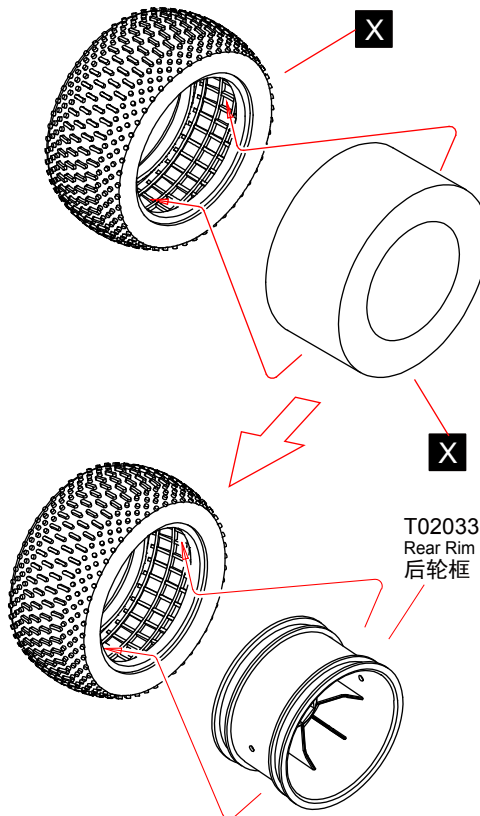
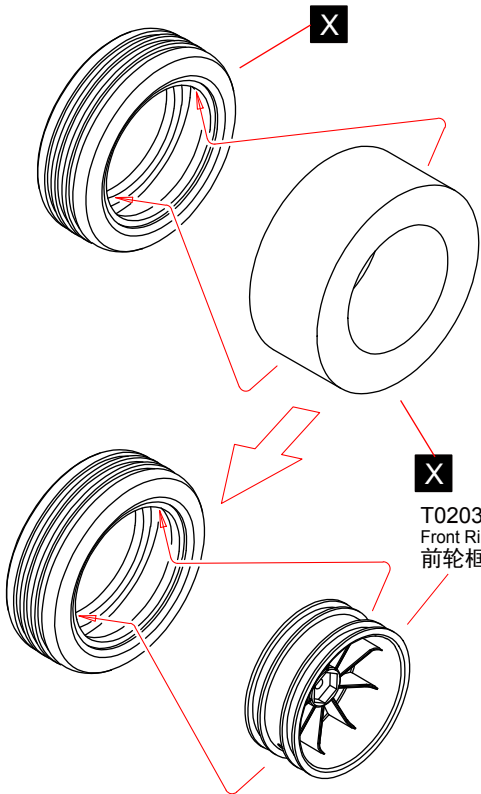
FS310 M3x10 Screw
M3x10 螺丝



38 Tyre
轮胎 **Bag-F**

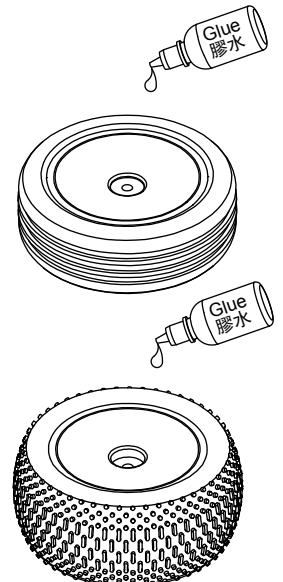
< Front > x2

< Rear > x2



F/R x2

After fitting wheels to tyres,
apply instant glue as shown
轮胎装好后如图打胶水

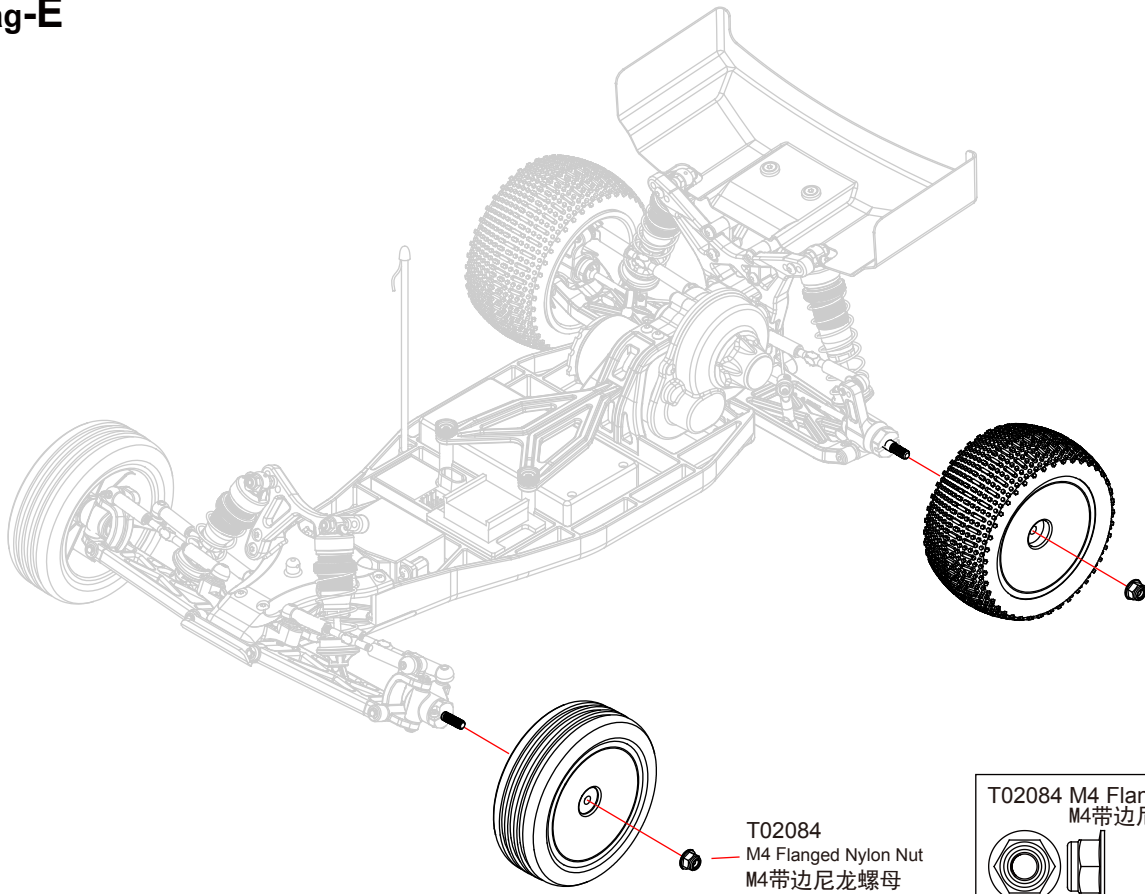


F/R Assemble both front and rear
組裝前面和後面


x2 Assemble as many times as specified
需組裝數量

X Must be purchased separately
需另購物品

39 Tyre
轮胎 **Bag-E**

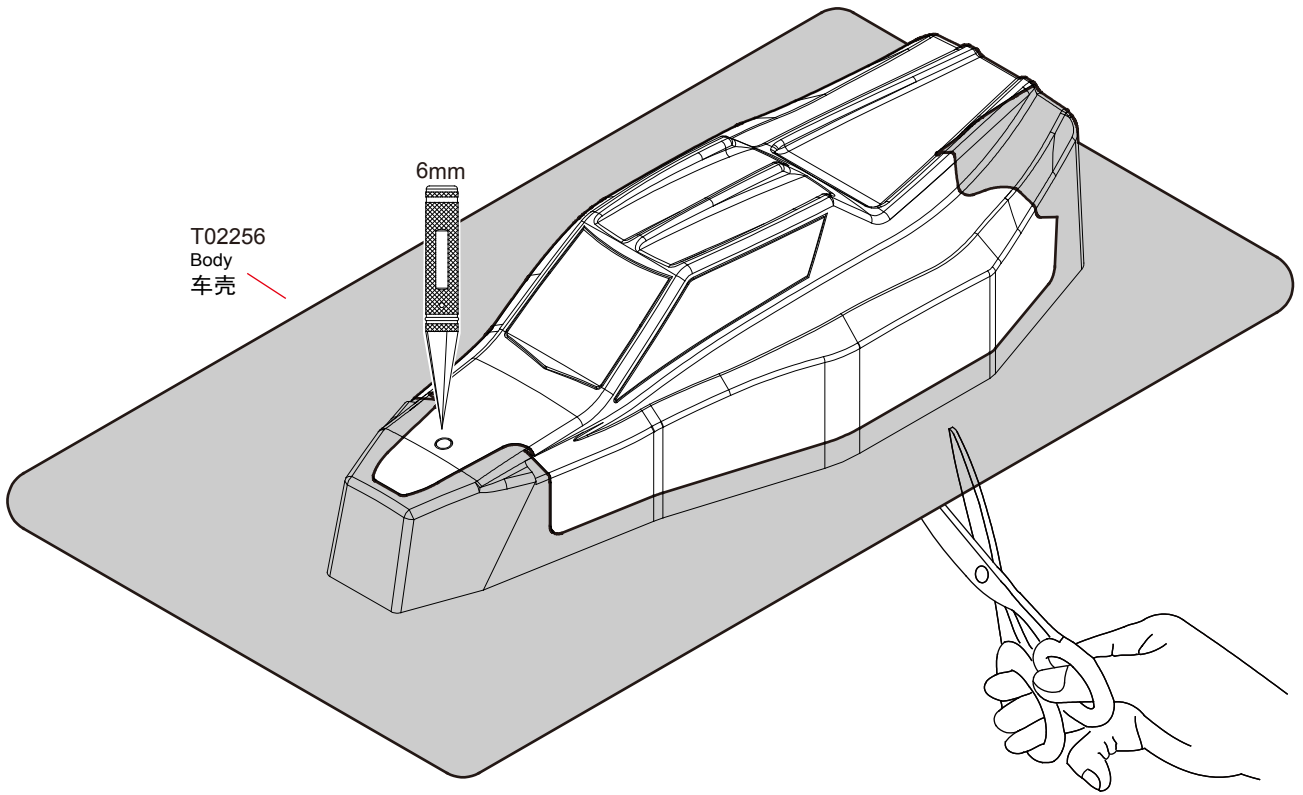


T02084 M4 Flanged Nylon Nut
M4带边尼龙螺母

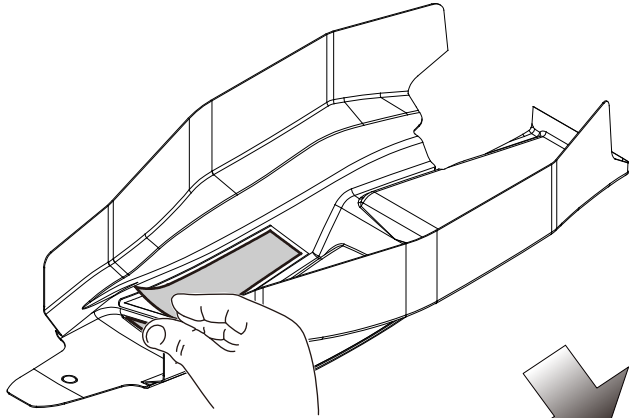


.....4

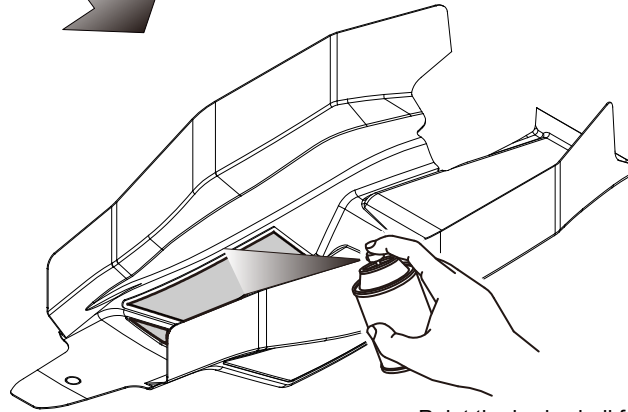
40 Body
车壳 **Bag-G**



41 Body
车壳 **Bag-G**

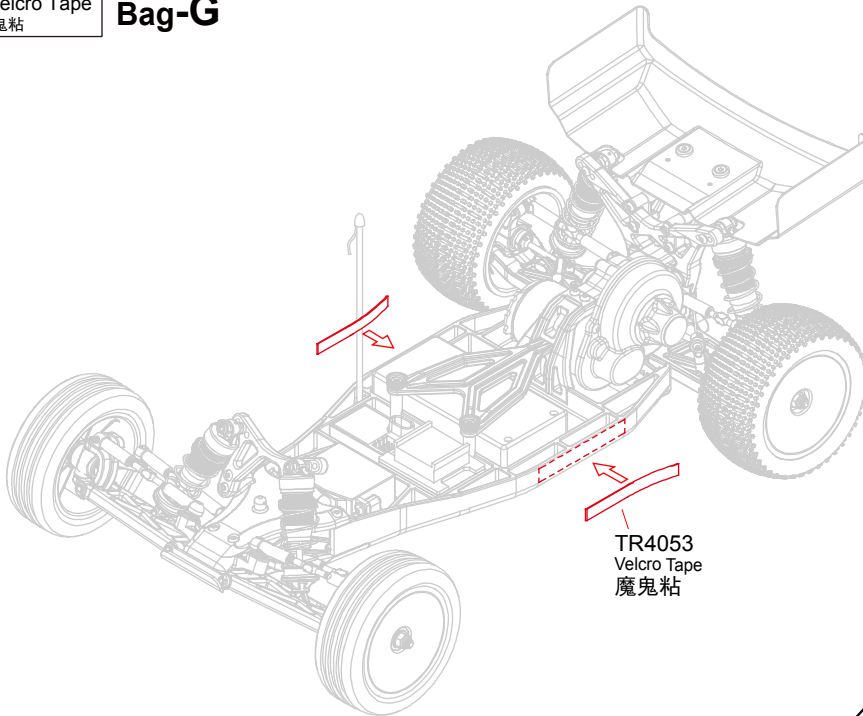


Mask the windows from the inside.
在车窗内壁贴上遮盖贴纸。

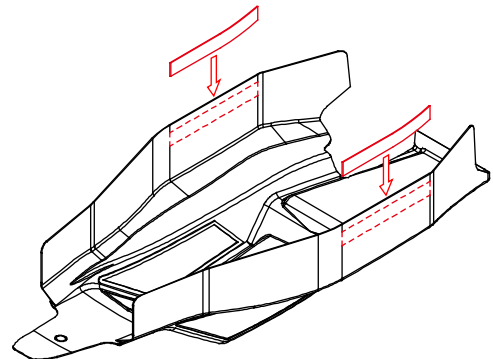


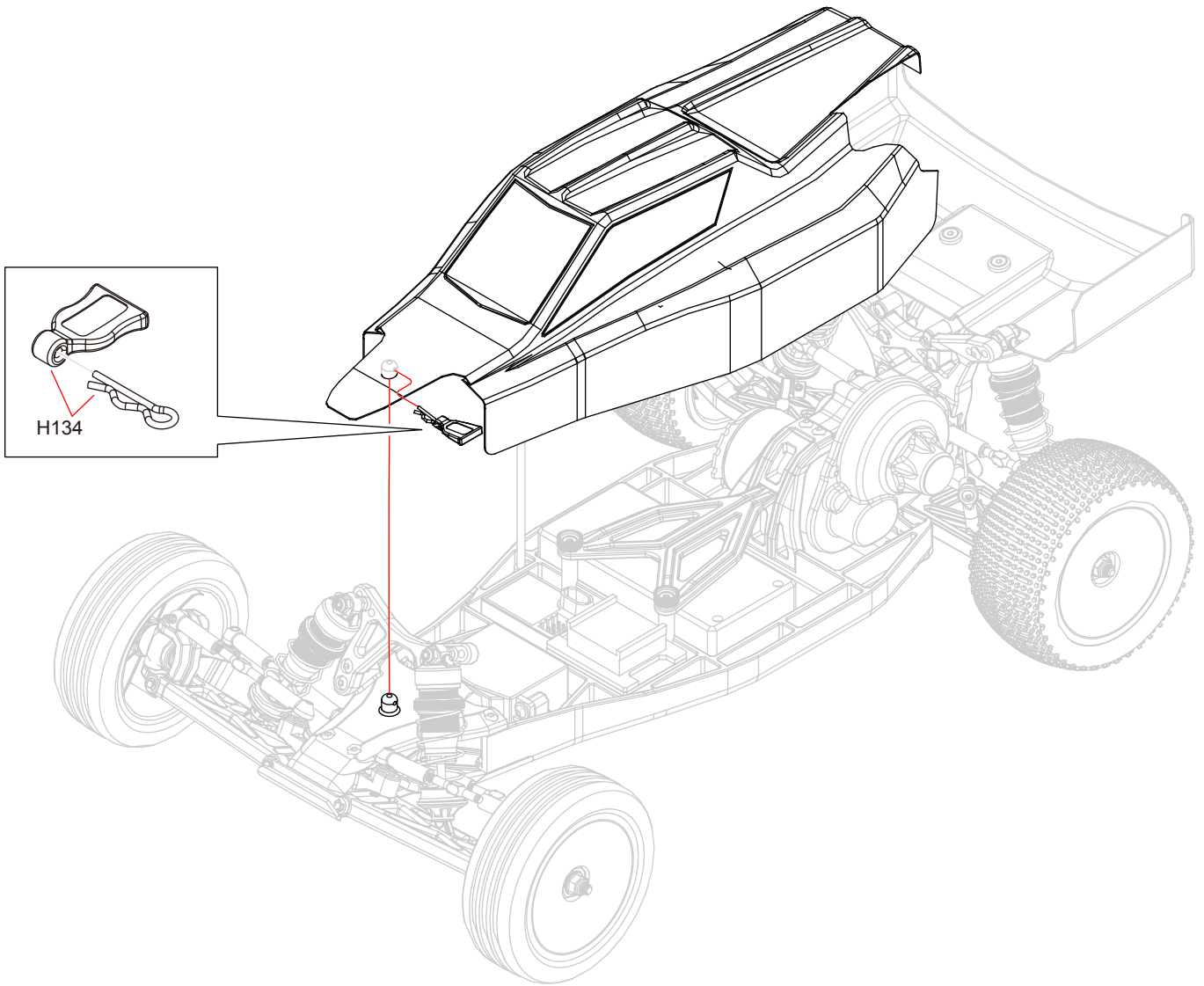
Paint the body shell from the inside
using spray colors.
在车壳内壁喷漆。

42 Body-Velcro Tape
车壳-魔鬼粘 **Bag-G**

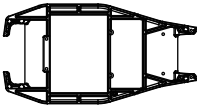
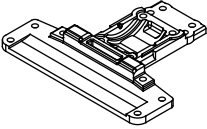
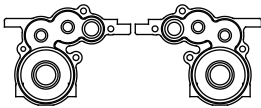

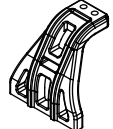
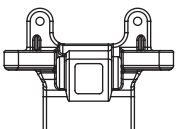
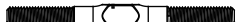
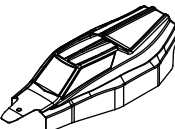
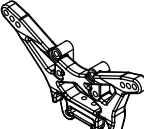
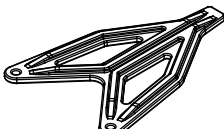
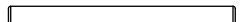
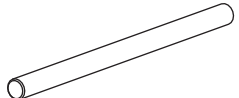
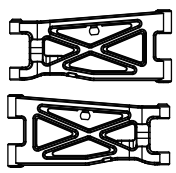
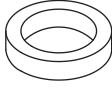
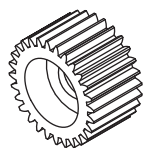


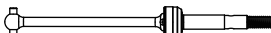



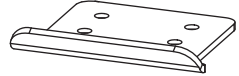
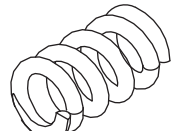

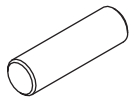
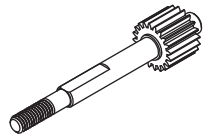

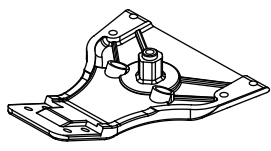
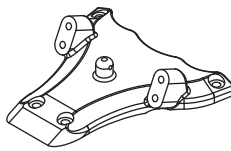
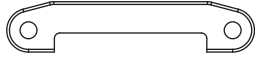

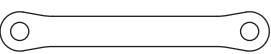
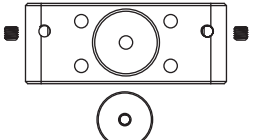
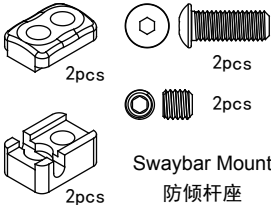




TR4053
Velcro Tape
魔鬼粘

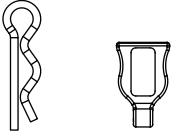
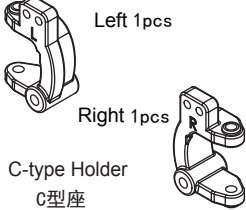
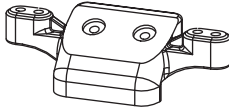
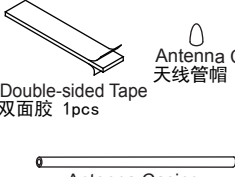
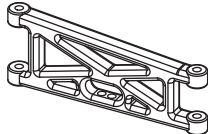
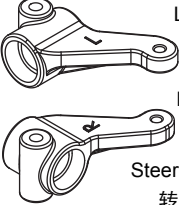
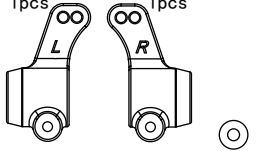
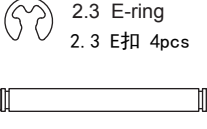
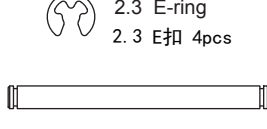


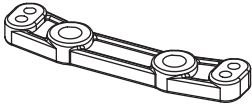
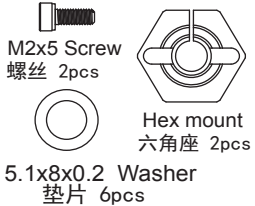
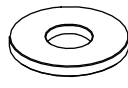



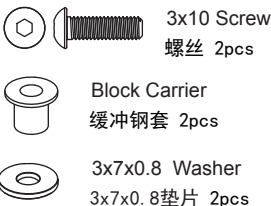

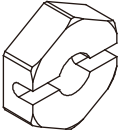
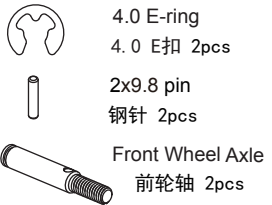
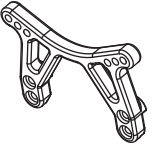
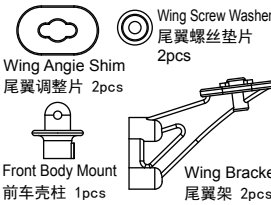
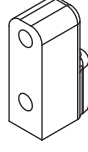

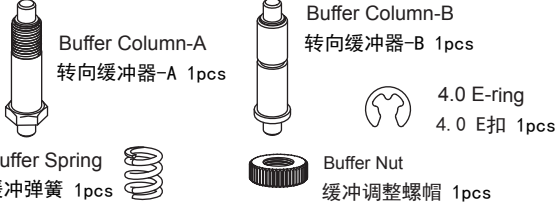
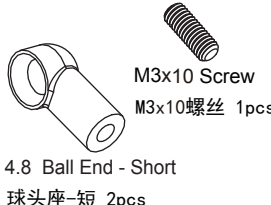












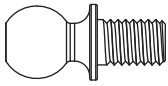
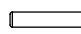
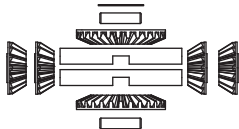


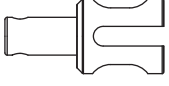

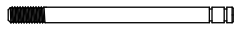

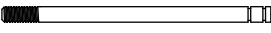
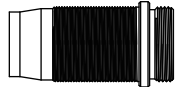

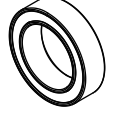
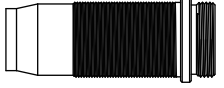








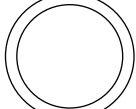
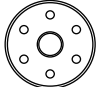
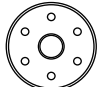
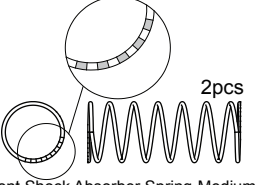
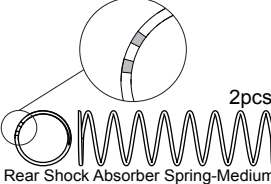



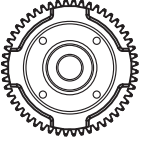


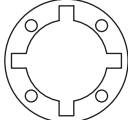

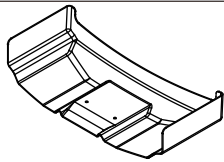
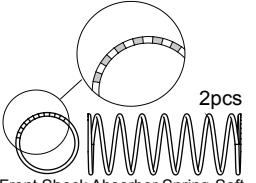
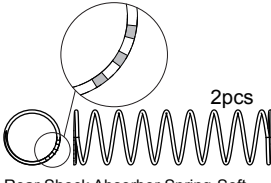
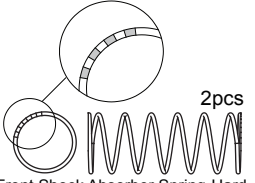
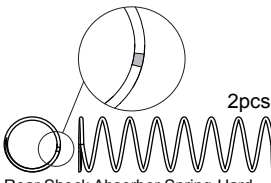
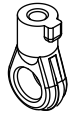
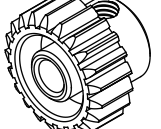

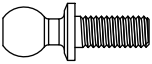



Parts list for TC02C EVO off-road buggy - 1 TC02C EVO配件包-1

<p>T02249</p>  <p>Main Chassis 主底盘 1pcs</p>	<p>T02250</p>  <p>Rear Chassis 后底盘 1pcs</p>	<p>T02251</p> <p>Left 1pcs Right 1pcs</p>  <p>Gear Box 齿轮箱</p>	<p>T02252</p>  <p>Motor Mount 马达座 1pcs</p>	<p>T02253</p>  <p>Rear Brace Mount 后支撑座 1pcs</p>
<p>T02254</p>  <p>Rear Shock Tower Mount 后避震架固定座 1pcs</p>	<p>T02255</p>  <p>3x40 Turnbuckle 3x40拉杆 2pcs</p>	<p>T02256</p>  <p>Body 车壳 1pcs</p>	<p>T02257</p>  <p>Rear Shock Tower 后避震器架 1pcs</p>	<p>T02258</p>  <p>Battery Holder 电池压板 1pcs</p>
<p>TR4046</p>  <p>2.5x30 Arm Pin 2.5x30摆臂轴 2pcs</p>	<p>T02055</p>  <p>3x48 Hinge Pin Rear-Inner 3x48后摆臂销-内 2pcs</p>	<p>T04008</p> <p>Left 1pcs Right 1pcs</p>  <p>Rear Lower Arm 后下摆臂</p>	<p>T02211</p>  <p>5x7 Top Shaft Spacer 轴套 1pcs</p>	<p>TU0258</p>  <p>28T Spur Gear-Aluminum 28T减速齿-铝 1pcs</p>
<p>T02032</p>  <p>Front Rim 前轮框 2pcs</p>	<p>T02033</p>  <p>Rear Rim 后轮框 2pcs</p>	<p>T02263</p>  <p>65mm Rear CVD 65mm后CVD 2pcs</p>	<p>T04107</p>  <p>3x45 Turnbuckle 3x45拉杆 2pcs</p>	<p>T02038</p>  <p>Slipper Pad 扭限摩擦片 2pcs</p>
<p>T02039</p>  <p>Slipper Hub 扭限座 2pcs</p>	<p>T02185</p>  <p>Front Bumper 前防撞板 1pcs</p>	<p>T02040</p>  <p>Slipper Spring 扭限弹簧 1pcs</p>	<p>T02041</p>  <p>Top Shaft Spacer 衬套 1pcs</p>	<p>T02051</p>  <p>Idle Gear Shaft 减速齿轴 1pcs</p>
<p>T02052</p>  <p>Gear-20T 入力齿-20T 1pcs</p>	<p>T04109</p>  <p>M3x3 Screw 螺丝 2pcs</p> <p>Swaybar Ball Stud 防倾杆球头 2pcs</p>	<p>T02008</p>  <p>Front Chassis Plate 前底盘 1pcs</p>	<p>T02019</p>  <p>Front Brace Mount 前支撑座 1pcs</p>	<p>T02204</p>  <p>Arm Mount-RR 摆臂固定座-RR 1pcs</p>
<p>T02001</p>  <p>Spur Gear-80T 减速齿-80T 1pcs</p>	<p>TU0226OR</p>  <p>Front Hinge Pin Brace 前摆臂固定片 1pcs</p>	<p>TU0222OR</p>  <p>Front Arm Mount 前摆臂固定座 1set</p>	<p>T02259</p>  <p>2pcs 2pcs 2pcs 2pcs</p> <p>Swaybar Mount 防倾杆座</p>	<p>T02085</p>  <p>2.3 E-ring 2.3 E扣 8pcs</p>  <p>4.0 E-ring 4.0 E扣 8pcs</p>

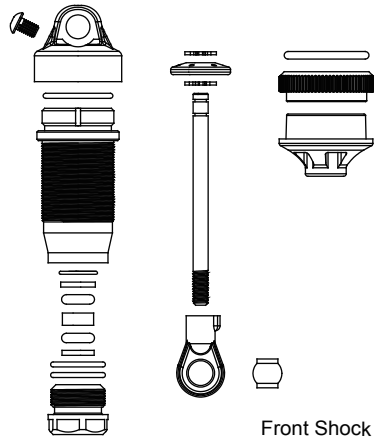
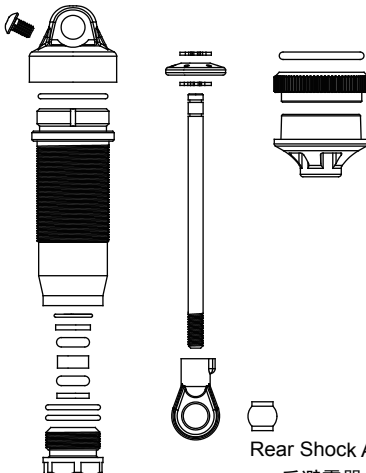





















Parts list for TC02C EVO off-road buggy - 2 TC02C EVO配件包-2

<p>H134</p>  <p>Small Clip 小号插销 6pcs</p> <p>Small Clip Holder 小号插销固定座 6pcs</p>	<p>T02011</p>  <p>Left 1pcs</p> <p>Right 1pcs</p> <p>C-type Holder C型座</p>	<p>T02015</p>  <p>Front Upper Suspension Arm Mount 前上摆臂座 1pcs</p>	<p>T02087</p>  <p>Antenna Cap 天线管帽 1pcs</p> <p>Double-sided Tape 双面胶 1pcs</p> <p>Antenna Casing 天线套管 1pcs</p>	<p>T02016</p>  <p>Front Lower Arms 前下摆臂 2pcs</p>
<p>T02012</p>  <p>Left 1pcs</p> <p>Right 1pcs</p> <p>Steering Block 转向臂</p>	<p>TR4011</p>  <p>1pcs</p> <p>1pcs</p> <p>Rear Hub 后轮座</p> <p>4pcs</p>	<p>T02054</p>  <p>2.3 E-ring 2.3 E扣 4pcs</p> <p>3x27.5 Hinge Pin Front-Outer 3x27.5前摆臂销-外 2pcs</p>	<p>T02056</p>  <p>2.3 E-ring 2.3 E扣 4pcs</p> <p>3x34.5 Hinge Pin Front-Inner 3x34.5前摆臂销-内 2pcs</p>	<p>T02027</p>  <p>Steering Servo Horn-F 转向伺服臂-F 1pcs</p> <p>Steering Servo Horn-H 转向伺服臂-H 1pcs</p> <p>Steering Servo Horn-S 转向伺服臂-S 1pcs</p>
<p>T02023</p>  <p>Servo Saver Upper 缓冲臂上 1pcs</p> <p>Servo Saver Lower 缓冲臂下 1pcs</p> <p>Servo Saver - L 缓冲臂-L 1pcs</p>	<p>T02024</p>  <p>Steering Rack 缓冲连接片 1pcs</p>	<p>T02245</p>  <p>M2x5 Screw 螺丝 2pcs</p> <p>Hex mount 六角座 2pcs</p> <p>5.1x8x0.2 Washer 垫片 6pcs</p>	<p>W3708/T02081</p>  <p>3x7x0.8 Washer 3x7x0.8垫片 10pcs</p>	<p>T02062</p>  <p>5.8 Ball Stud 球头 4pcs</p>
<p>T02262</p>  <p>1.7x11 Pin 1.7x11钢针 4pcs</p>	<p>T02183</p>  <p>Rear Bearing Collar 后轮轴套 2pcs</p>	<p>T02044</p>  <p>3x10 Screw 螺丝 2pcs</p> <p>Block Carrier 缓冲钢套 2pcs</p> <p>3x7x0.8 Washer 3x7x0.8垫片 2pcs</p>	<p>TU0250-6</p>  <p>3.1x5.5x2.0 Aluminium Washer 3.1x5.5x2.0铝垫片 4pcs</p> <p>Shock Cap Ball 避震盖球头 4pcs</p>	<p>T02173</p>  <p>Rear Hex Mount 后六角座 4pcs</p>
<p>T02042</p>  <p>4.0 E-ring 4.0 E扣 2pcs</p> <p>2x9.8 pin 钢针 2pcs</p> <p>Front Wheel Axle 前轮轴 2pcs</p>	<p>T02020</p>  <p>Front Shock Tower 前避震器架 1pcs</p>	<p>T04012</p>  <p>Wing Screw Washer 尾翼螺丝垫片 2pcs</p> <p>Wing Angle Shim 尾翼调整片 2pcs</p> <p>Front Body Mount 前车壳柱 1pcs</p> <p>Wing Bracket 尾翼架 2pcs</p>	<p>T02028</p>  <p>Servo Plate 伺服机座 2pcs</p>	<p>T02035</p>  <p>1.0 Servo Spacer 伺服机座垫片 2pcs</p> <p>1.5 Servo Spacer 伺服机座垫片 2pcs</p>
<p>T02043OR</p>  <p>Buffer Column-A 转向缓冲器-A 1pcs</p> <p>Buffer Column-B 转向缓冲器-B 1pcs</p> <p>Buffer Spring 缓冲弹簧 1pcs</p> <p>Buffer Nut 缓冲调整螺母 1pcs</p> <p>4.0 E-ring 4.0 E扣 1pcs</p>	<p>T02030</p>  <p>M3x10 Screw M3x10螺丝 1pcs</p> <p>4.8 Ball End - Short 球头座-短 2pcs</p>	<p>T04014</p>  <p>4.8mm Ball End-Long 4.8mm球头座-长 6pcs</p>	<p>T04150</p>  <p>M3x10 Screw 螺丝 4pcs</p> <p>4.8mm Ball End-Short 4.8mm球头座-短 8pcs</p>	<p>TU0266-7</p>  <p>Below Spring Mount end-Plastic 弹簧下座-尼龙 4pcs</p> <p>Shock Absorber Top cover-Plastic 避震器上盖-尼龙 4pcs</p> <p>M2.5x4 Screw M2.5x4螺丝 4pcs</p>
<p>T02005</p>  <p>Gear Cover Button 齿轮盖塞 1pcs</p> <p>Gear Cover 齿轮盖 1pcs</p>	<p>TR4053</p>  <p>Velcro Tape 魔鬼粘 1set</p>	<p>T04152</p>  <p>Swaybar 防倾杆 2pcs</p>	<p>T04110</p>  <p>Nut 螺帽 2pcs</p> <p>M3x12 Screw M3x12螺丝 2pcs</p>	<p>TU0266-7</p>  <p>Below Spring Mount end-Plastic 弹簧下座-尼龙 4pcs</p> <p>Shock Absorber Top cover-Plastic 避震器上盖-尼龙 4pcs</p> <p>M2.5x4 Screw M2.5x4螺丝 4pcs</p>

Parts list for TC02C EVO off-road buggy - 3 TC02C EVO配件包-3

<p>T02061</p>  <p>Ball Stud -Silver 球头-银色 2pcs</p>	<p>P210/T04032</p>  <p>2x9.8 Pin 2x9.8钢针 6pcs</p>	<p>T02154</p>  <p>14T/28T Gear Set 14T/28T齿轮组</p>	<p>T02084</p>  <p>M4 Flanged Nylon Nut 带边尼龙螺母 6pcs</p>  <p>M3 Nylon Nut 尼龙螺母 6pcs</p>	<p>T02155</p>  <p>Diff Connecting Cup 差速连接杯 2pcs</p>
<p>TU0250-1</p>  <p>2.3 E-ring 2.3 E扣 4pcs</p>  <p>Front Shock Absorber Shaft 前避震器轴 2pcs</p>	<p>TU0250-2</p>  <p>2.3 E-ring 2.3 E扣 4pcs</p>  <p>Rear Shock Absorber Shaft 后避震器轴 2pcs</p>	<p>T04158</p>  <p>Front Shock Absorber Body 前避震器筒身 2pcs</p>	<p>B051004/T02100</p>  <p>5x10x4 Ball Bearing 5x10x4轴承 6pcs</p>	<p>B101504/T02099</p>  <p>10x15x4 Ball Bearing 10x15x4轴承 6pcs</p>
<p>T04159</p>  <p>Rear Shock Absorber Body 后避震器筒身 2pcs</p>	<p>TU0250-5</p>  <p>Below Spring Mount End 弹簧下座 4pcs</p>	<p>TU0250-8</p>  <p>1mm Washer-White 1mm压垫-白色 4pcs</p>  <p>1mm Washer-Black 1mm压垫-黑色 4pcs</p>  <p>2.5mm Washer-White 2.5mm压垫-白色 4pcs</p>  <p>Spring 弹簧 4pcs</p>  <p>9x1 O-Ring 9x1 O环 4pcs</p>  <p>2.8x1.9 O-Ring 2.8x1.9 O环 4pcs</p>  <p>12x1 O-Ring 12x1 O环 4pcs</p>  <p>14x1.5 O-Ring 14x1.5 O环 4pcs</p>		
<p>TU0250-7</p>  <p>Front Piston-Black 前活塞-黑色 2pcs</p>  <p>Rear Piston-White 后活塞-白色 2pcs</p>	<p>TU0250-12F</p>  <p>Front Shock Absorber Spring-Medium 前避震器弹簧-中 2pcs</p>	<p>TU0250-10R</p>  <p>Rear Shock Absorber Spring-Medium 后避震器弹簧-中 2pcs</p>	<p>T04160</p>  <p>Shock Below Cover 避震下盖 4pcs</p>	<p>T04161</p>  <p>Spring Adjuster 弹簧调节座 4pcs</p>
<p>T02152</p>  <p>52T Diff Gear Cover 52T差速齿轮盖 1pcs</p>  <p>52T Diff Gear 52T差速齿轮 1pcs</p>  <p>M2.5x8 Screw M2.5x8螺丝 4pcs</p>  <p>4.8x1.6 O-ring 4.8x1.6 O环 2pcs</p>	<p>T02153</p>  <p>Diff Pads 差速垫片 1pcs</p>	<p>T02157</p>  <p>Diff Gear Shaft 差速齿轮轴 2pcs</p>	<p>T04164</p>  <p>Wing-Lexan 尾翼 1pcs</p>	
<p>TU0250-13F</p>  <p>Front Shock Absorber Spring-Soft 前避震器弹簧-软 2pcs</p>	<p>TU0262-R</p>  <p>Rear Shock Absorber Spring-Soft 后避震器弹簧-软 2pcs</p>	<p>TU0250-11F</p>  <p>Front Shock Absorber Spring-Hard 前避震器弹簧-硬 2pcs</p>	<p>TU0260-R</p>  <p>Rear Shock Absorber Spring-Hard 后避震器弹簧-硬 2pcs</p>	<p>T02187</p>  <p>5.8 Ball End 球头座 4pcs</p>
<p>T02053</p>  <p>Pinion Gear-21T 马达齿-21T 1pcs</p>  <p>3x3 Screw 1pcs</p>	<p>TS4042</p>  <p>Ball Stud-Long 球头-长 6pcs</p>	<p>T02156</p>  <p>4.8x1.6 O-ring 4.8x1.6 O环 4pcs</p>	<p>TS4043</p>  <p>Ball Stud-Short 球头-短 6pcs</p>	<p>B0306025/T02080</p>  <p>3x6x2.5 Ball Bearing 3x6x2.5轴承 4pcs</p>

Parts list for TC02C EVO off-road buggy - 4 TC02C EVO配件包-4

<p>T02260</p>  <p>Front Shock Absorber 前避震器 2set</p>	<p>T02261</p>  <p>Rear Shock Absorber 后避震器 2set</p>	<p>SS303</p>  <p>M3x3 Screw M3x3螺丝 10pcs</p>		
<p>SS312</p>  <p>M3x12 Screw M3x12螺丝 10pcs</p>	<p>BS305</p>  <p>M3x5 Screw M3x5螺丝 10pcs</p>	<p>BS308</p>  <p>M3x8 Screw M3x8螺丝 10pcs</p>	<p>BS310</p>  <p>M3x10 Screw M3x10螺丝 10pcs</p>	<p>SS310</p>  <p>M3x10 Screw M3x10螺丝 10pcs</p>
<p>BS315</p>  <p>M3x15 Screw M3x15螺丝 8pcs</p>	<p>BS322</p>  <p>M3x22 Screw M3x22螺丝 8pcs</p>	<p>BS328</p>  <p>M3x28 Screw M3x28螺丝 8pcs</p>	<p>FS2508</p>  <p>M2.5x8 Screw M2.5x8螺丝 10pcs</p>	<p>BS312</p>  <p>M3x12 Screw M3x12螺丝 10pcs</p>
<p>FS310</p>  <p>M3x10 Screw M3x10螺丝 10pcs</p>	<p>FS312</p>  <p>M3x12 Screw M3x12螺丝 8pcs</p>	<p>FS314</p>  <p>M3x14 Screw M3x14螺丝 8pcs</p>	<p>FS315</p>  <p>M3x15 Screw M3x15螺丝 10pcs</p>	<p>FS308</p>  <p>M3x8 Screw M3x8螺丝 10pcs</p>
<p>FS325</p>  <p>M3x25 Screw M3x25螺丝 10pcs</p>	<p>BS2504</p>  <p>M2.5x4 Screw M2.5x4螺丝 8pcs</p>	<p>BS306</p>  <p>M3x6 Screw M3x6螺丝 10pcs</p>	<p>W101202/TR4057</p>  <p>10x12x0.2 Washer 10x12x0.2垫片 8pcs</p>	<p>CS308</p>  <p>M3x8 Screw M3x8螺丝 10pcs</p>
<p> </p>	<p> </p>	<p> </p>	<p> </p>	<p> </p>

TC02C EVO

SETUP SHEET for the TeamC TC02C EVO

Driver _____

Track / City _____

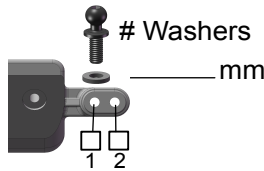
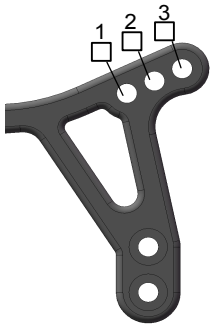
Event _____ Date ____ / ____ / ____

Conditions

- | | | | | |
|--|---------------------------------|------------------------------------|---------------------------------------|---------------------------------------|
| <input type="checkbox"/> High traction | <input type="checkbox"/> Smooth | <input type="checkbox"/> Bumpy | <input type="checkbox"/> Low traction | <input type="checkbox"/> Med traction |
| <input type="checkbox"/> Clay | <input type="checkbox"/> Sandy | <input type="checkbox"/> Soft dirt | <input type="checkbox"/> Grass | <input type="checkbox"/> Hard soil |
| | <input type="checkbox"/> Wet | <input type="checkbox"/> Dry | <input type="checkbox"/> Dusty | <input type="checkbox"/> Other |

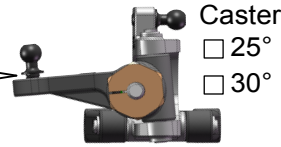
Front Suspension

Shock Mounting&Camber link

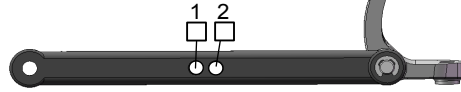


Camber _____°

Toe-in (+)/Out (-) _____°
Bump Steep Spacer _____



Caster
 25°
 30°

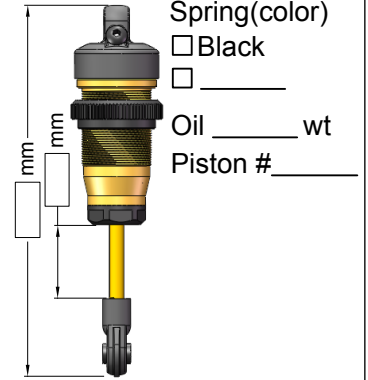


Washers _____ mm



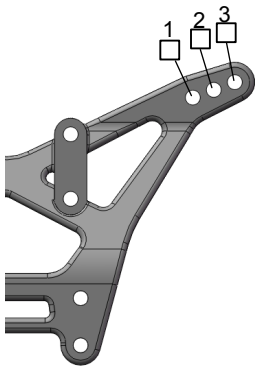
Ride height _____

Front Shocks

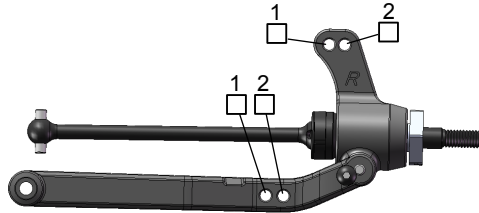


Rear Suspension

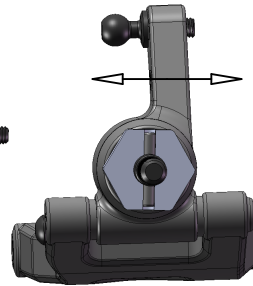
Shock Mounting&Camber link



Anti-roll bar: _____ mm
Camber _____°

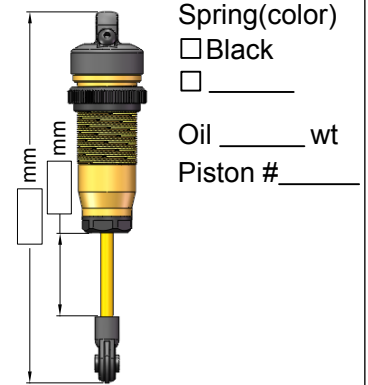


Wheelbase
 Long
 Medium
 Short



Ride height _____

Rear Shocks



Diff

Brand _____
Oil wt _____

Front Tires&Wheels

Front Tires _____
Inserts _____ Wheels _____

Front Tires&Wheels

Front Tires _____
Inserts _____ Wheels _____

Batteries

Servo _____
Esc _____
Batteries _____

Motor

Motor _____
Pinion/Spur _____ / _____

Other

Wing _____
Wing Angle 4° 10°

Comments

Notes _____

Team
Team
www.teamcracing.net