



TM2

Instruction manual

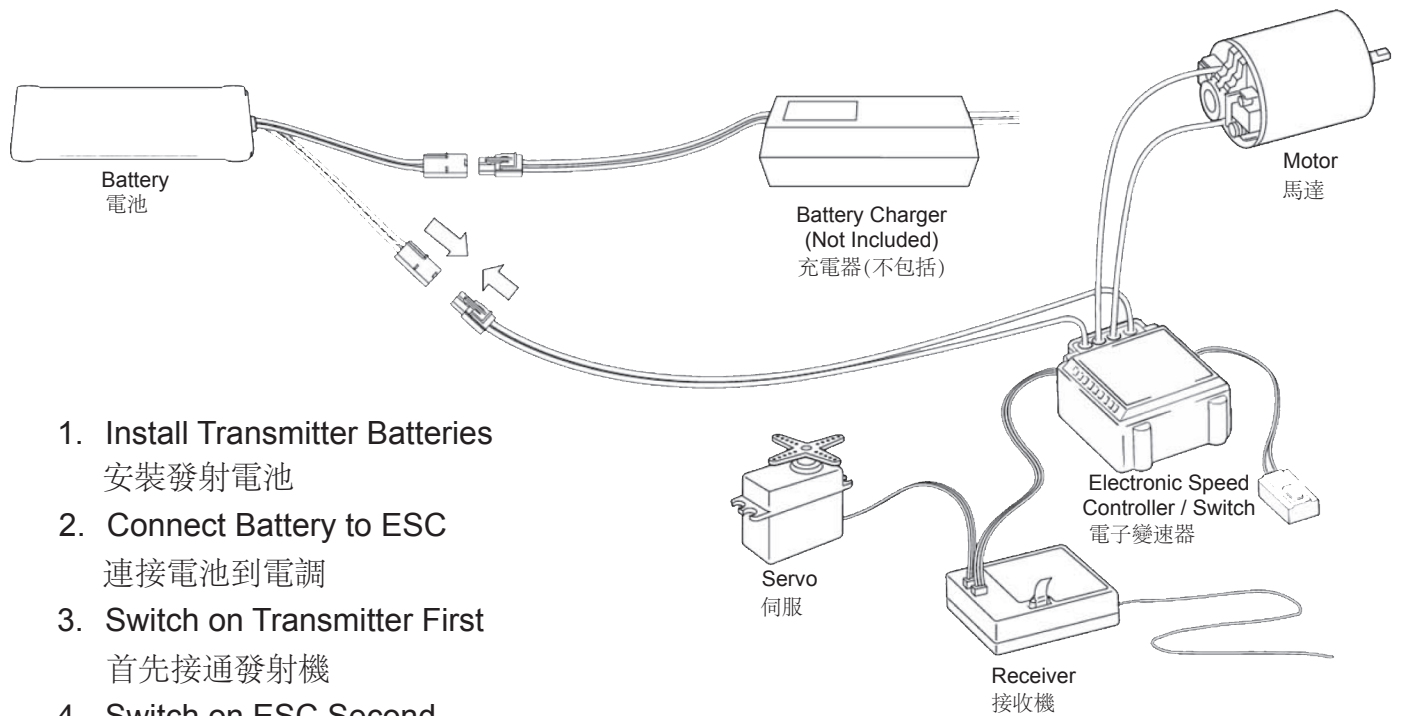
***1:10 SCALE RADIO CONTROLLED ELECTRIC
POWERED 2WD RACING BUGGY***

Dimensions 尺寸:

Length 長度.....	380mm
Width 寬度	250mm
Height 高度.....	150mm

Transmitter Preparation

调整遥控器



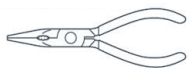
1. Install Transmitter Batteries
安裝發射電池
2. Connect Battery to ESC
連接電池到電調
3. Switch on Transmitter First
首先接通發射機
4. Switch on ESC Second
其次接通電調

Note: When done driving Turn Off the ESC and THEN Transmitter

注意: 當停止駕駛首先要關掉電調
其次再關掉發射機

Tools required 組裝需要的工具

● Needle Nose Pliers
尖嘴鉗



● Awl
錐



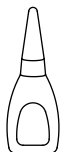
● Grease
潤滑油



● Screw Cement
螺絲膠水



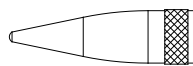
● **H162**
Instant Glue
瞬間膠水



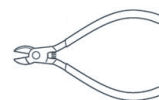
● Differential Grease
差速油



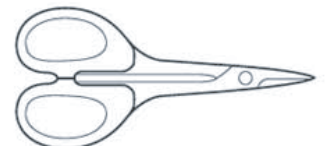
● **H154**
Body Reamer
車殼絞刀



● Wire Cutters
鋼絲鉗



● **H096**
ROUND CUTTER
剪刀



● Hex Wrench
六角扳手



● Hex Wrench
十字套筒



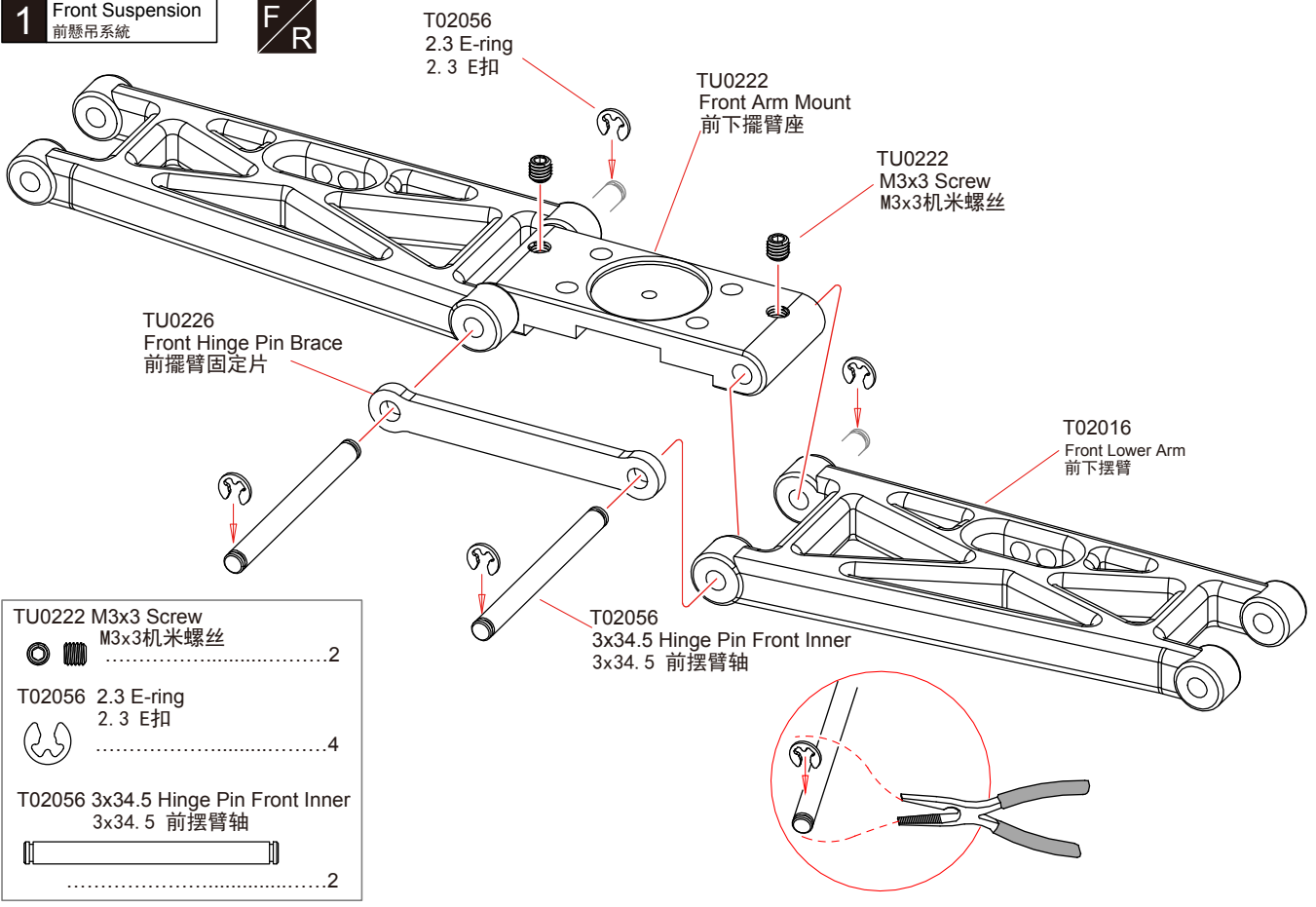
● Sharp Hobby knife
美工刀



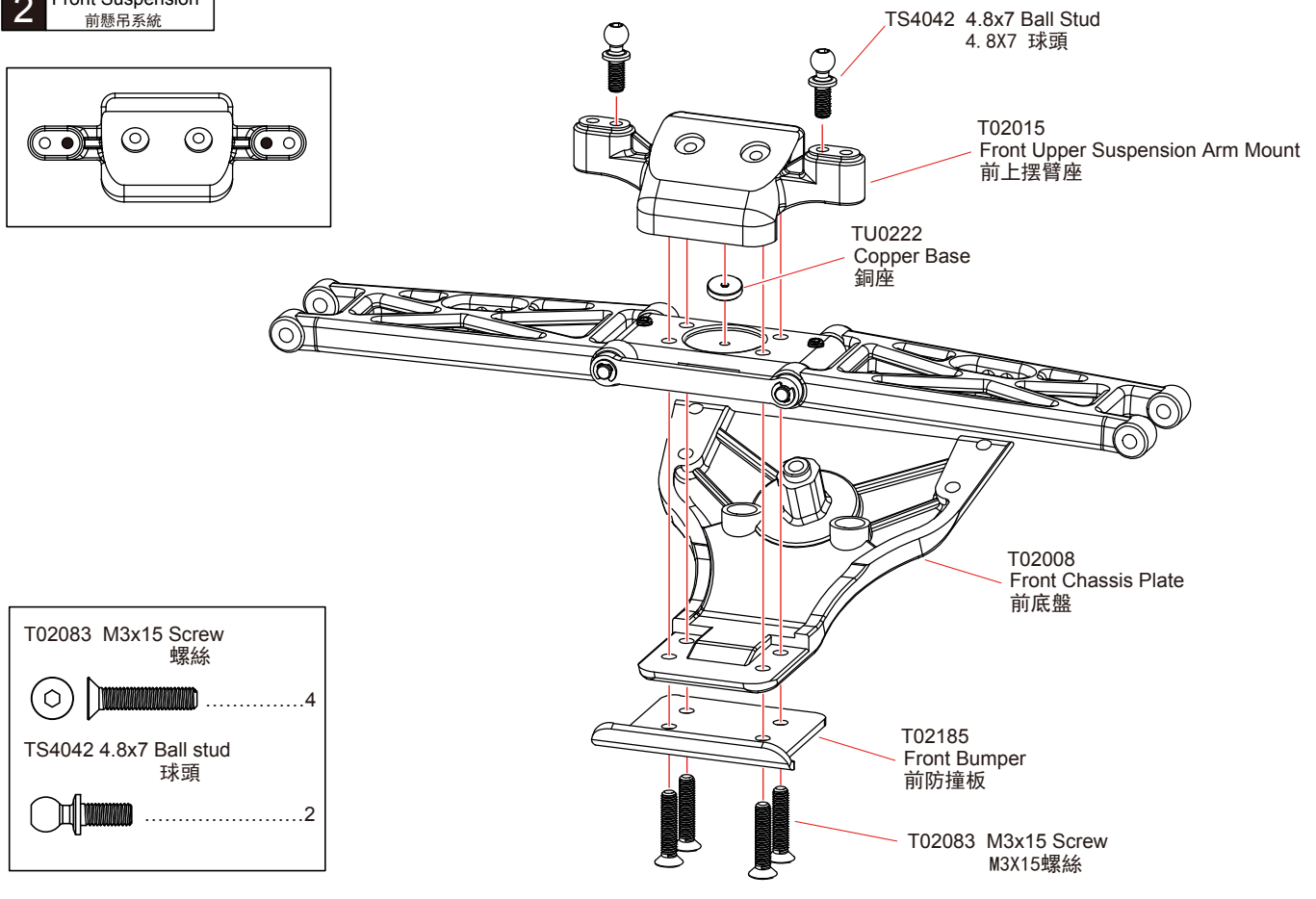
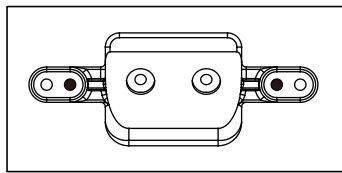
No need to pre-drill precise holes
(1mm to 15mm) can be drilled
可以对预钻的孔准确的钻1mm-15mm

For trimming bodies!
用于修剪車壳!

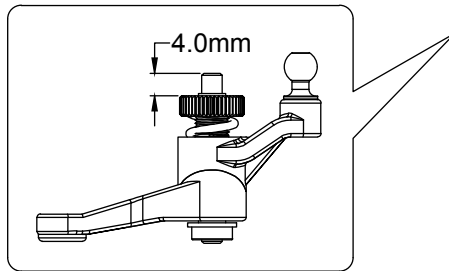
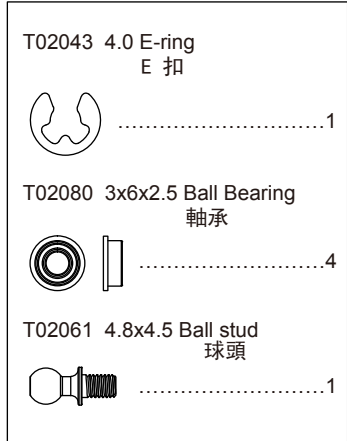
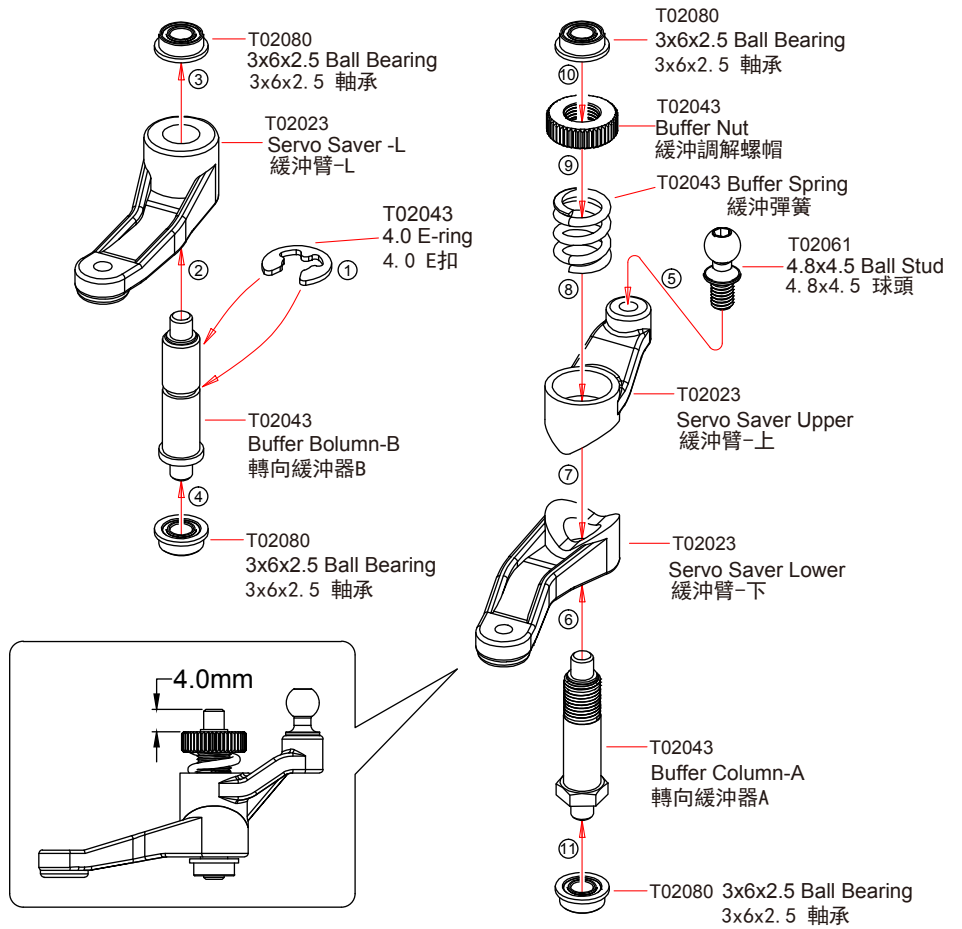
1 Front Suspension
前懸吊系統



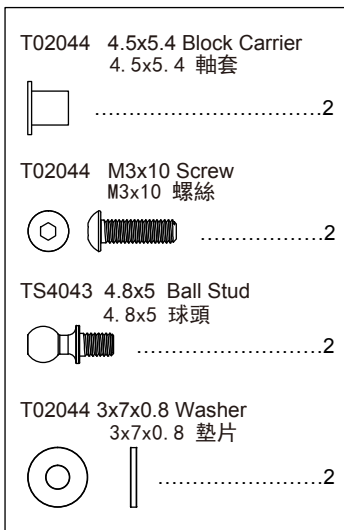
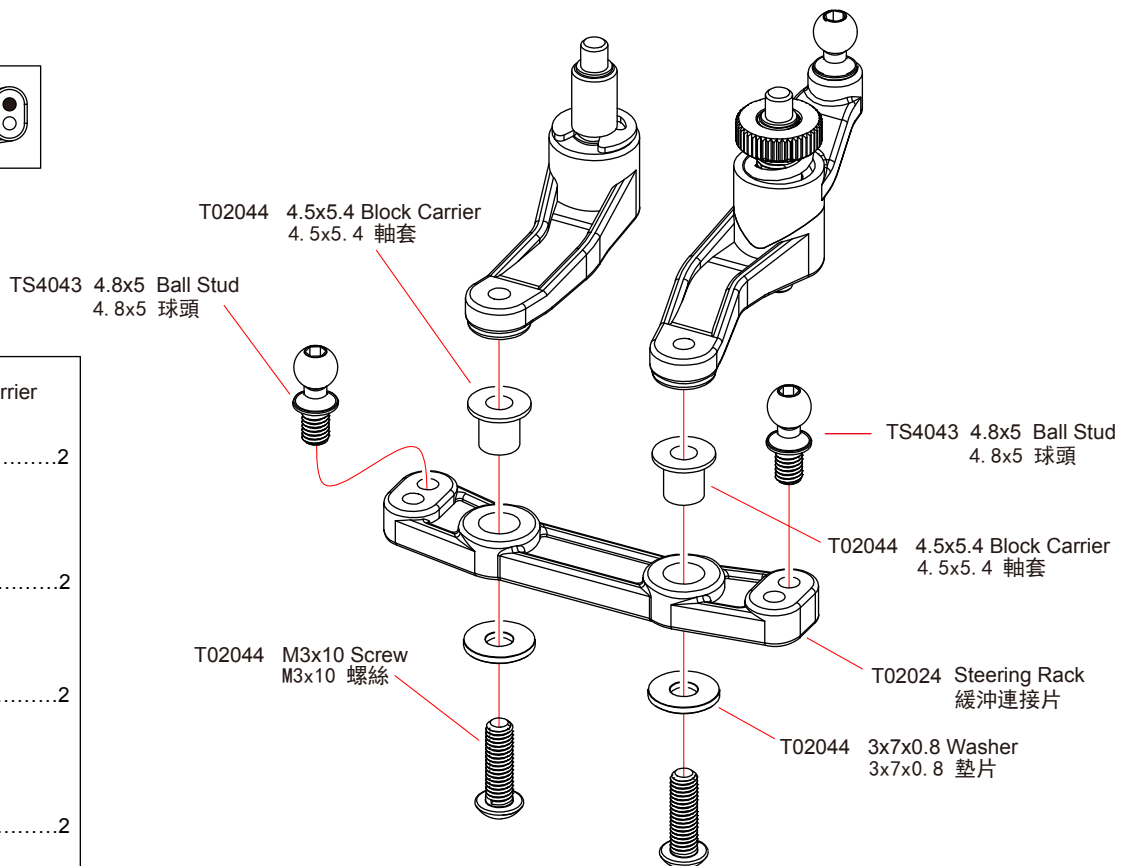
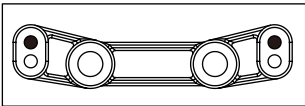
2 Front Suspension
前懸吊系統



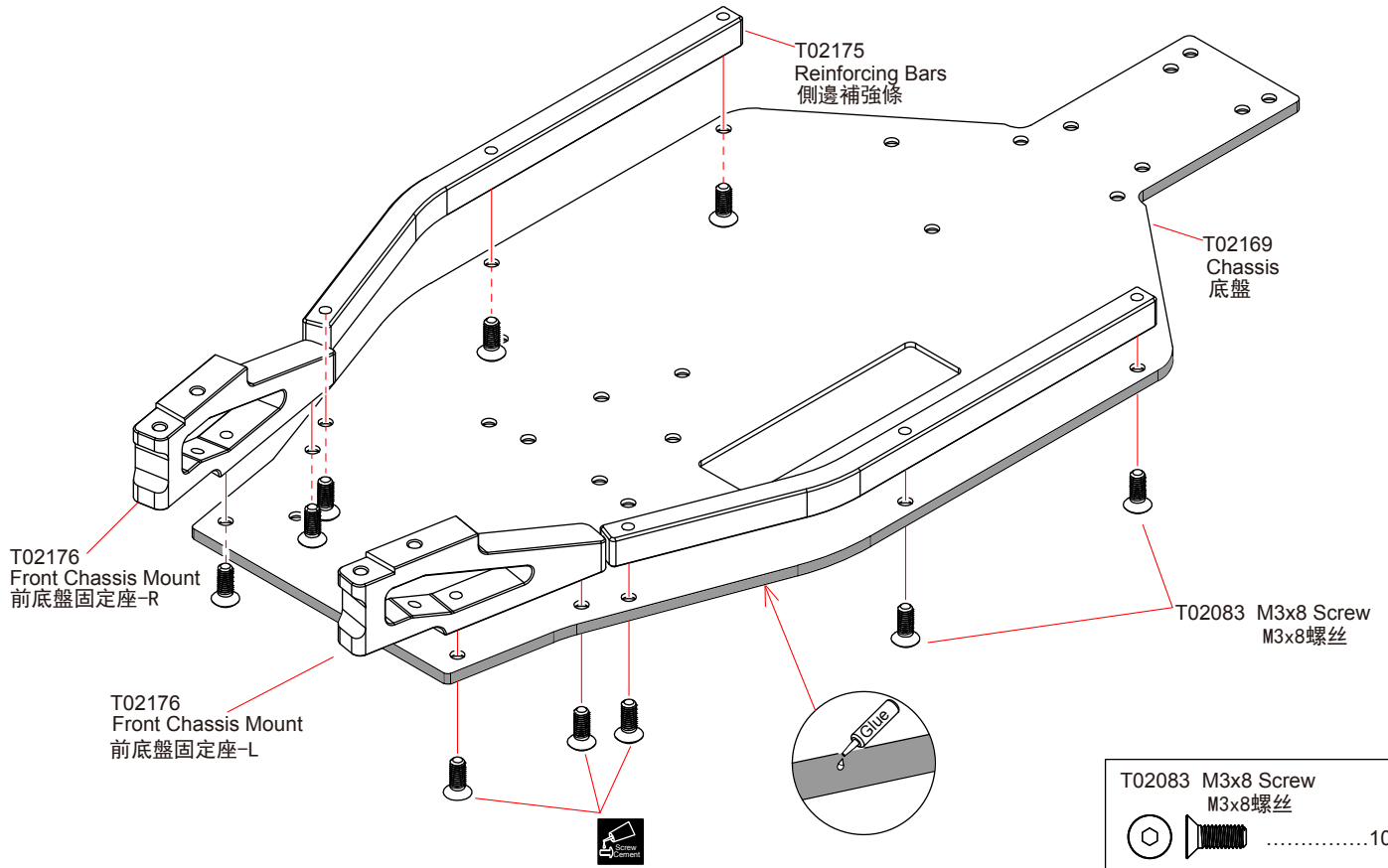
3 Buffer
緩沖



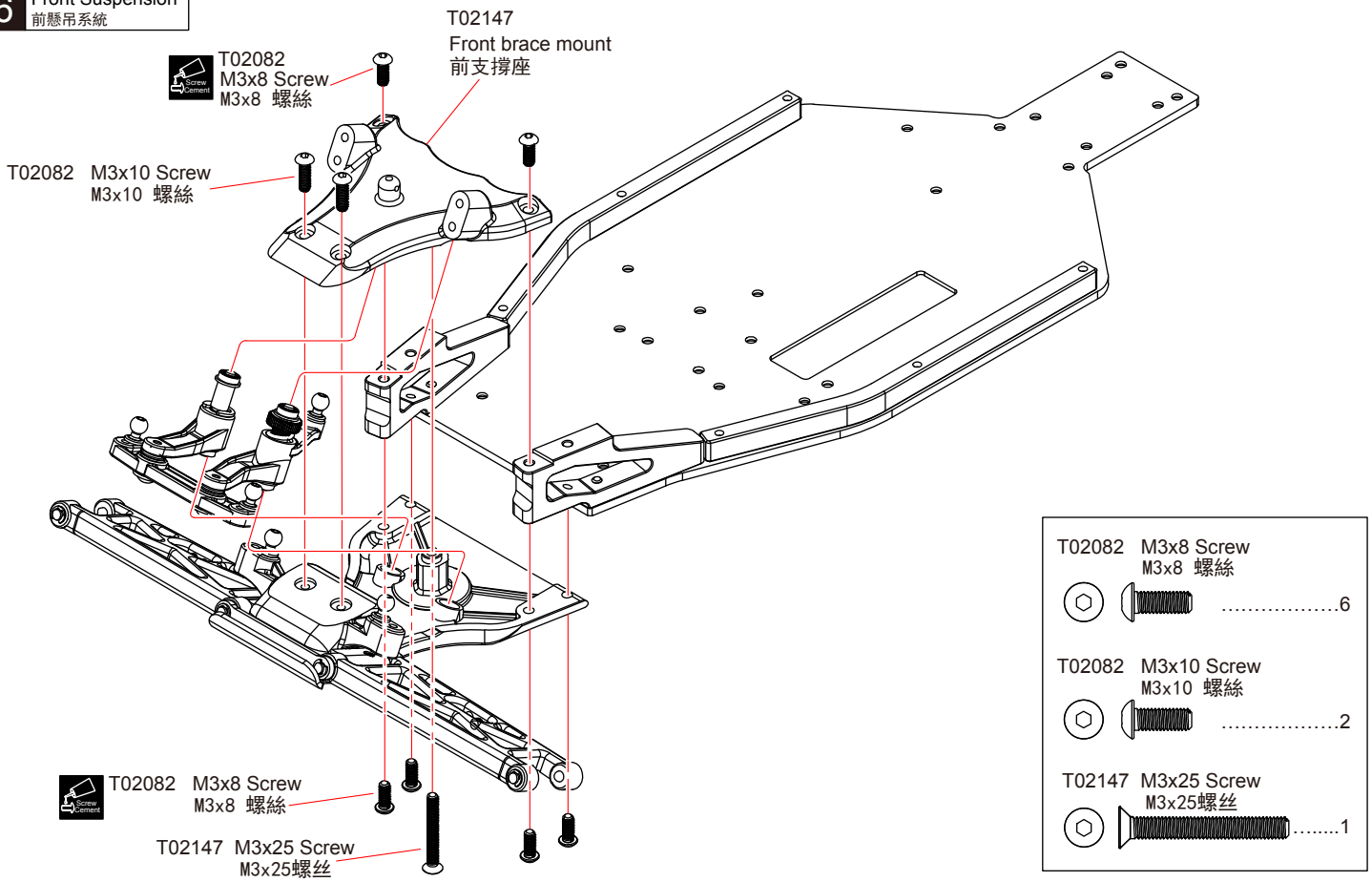
4 Buffer
緩沖



5 Side Plate
側板

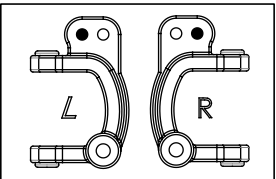



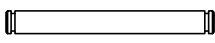


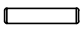
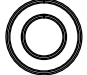
6 Front Suspension
前懸吊系統

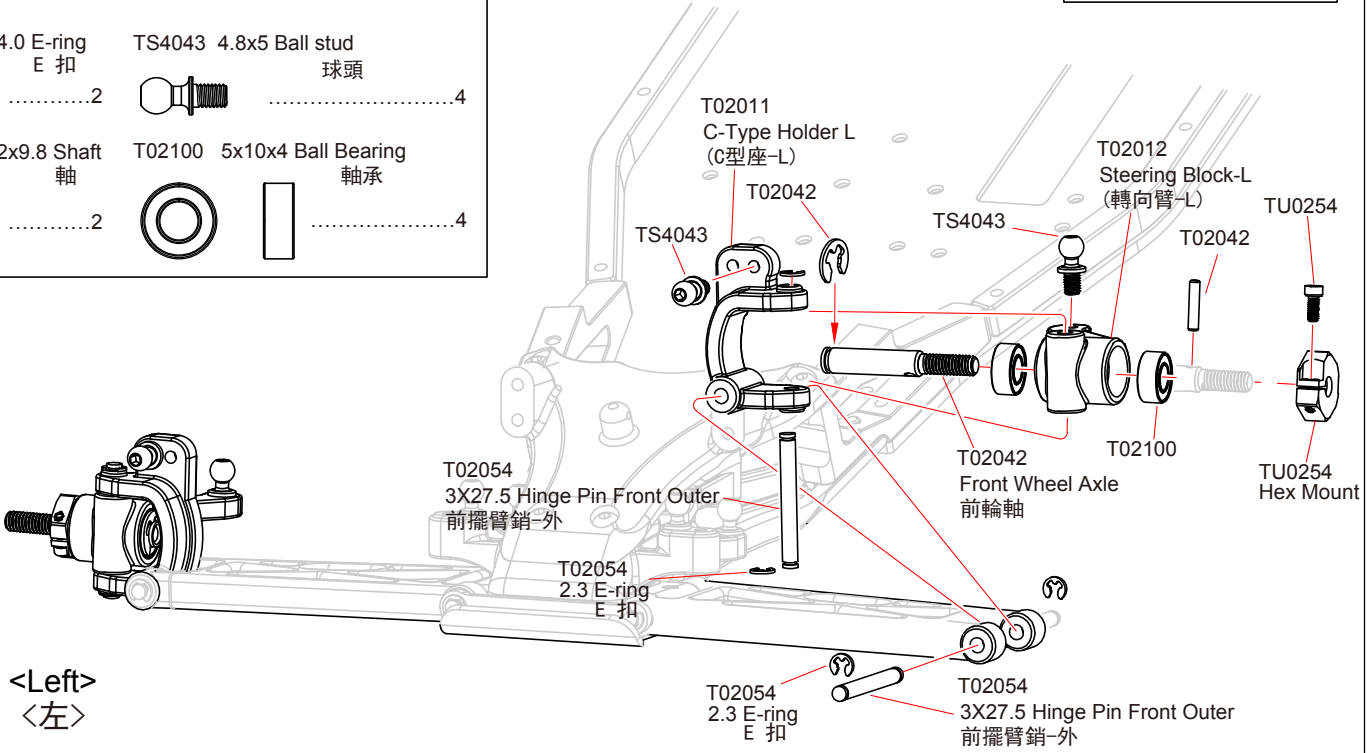


Apply threadlocker(screw cement)
打螺絲胶水

7 Front Suspension
前懸吊系統

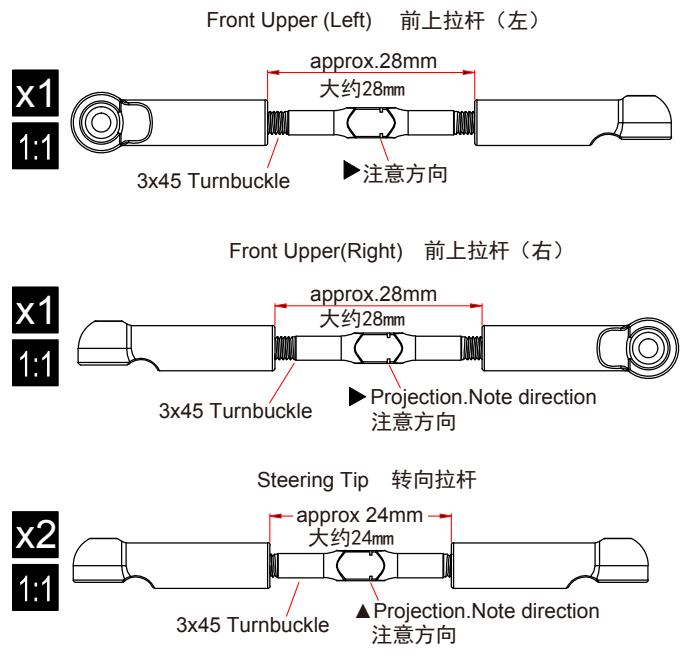
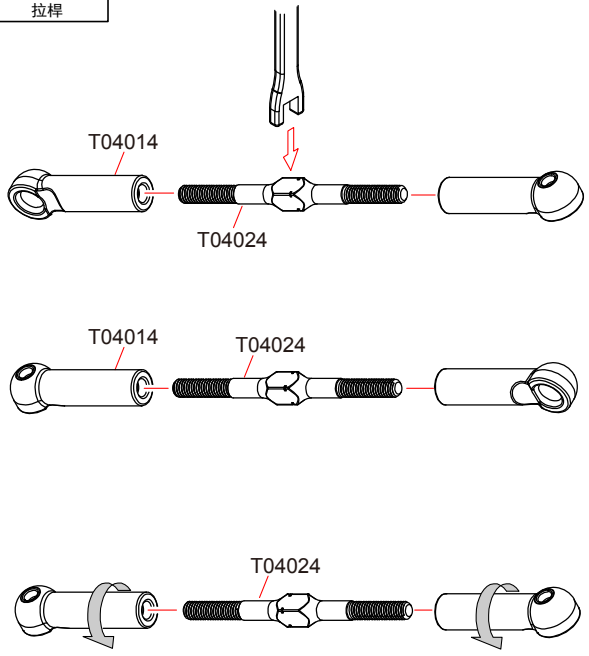



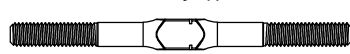
T02054 2.3 E-ring E 扣 8	T02054 3x27.5 Hinge pin front outer 前擺臂軸 4
T02042 4.0 E-ring E 扣 2	TS4043 4.8x5 Ball stud 球頭 4
T02042 2x9.8 Shaft 軸 2	T02100 5x10x4 Ball Bearing 軸承 4



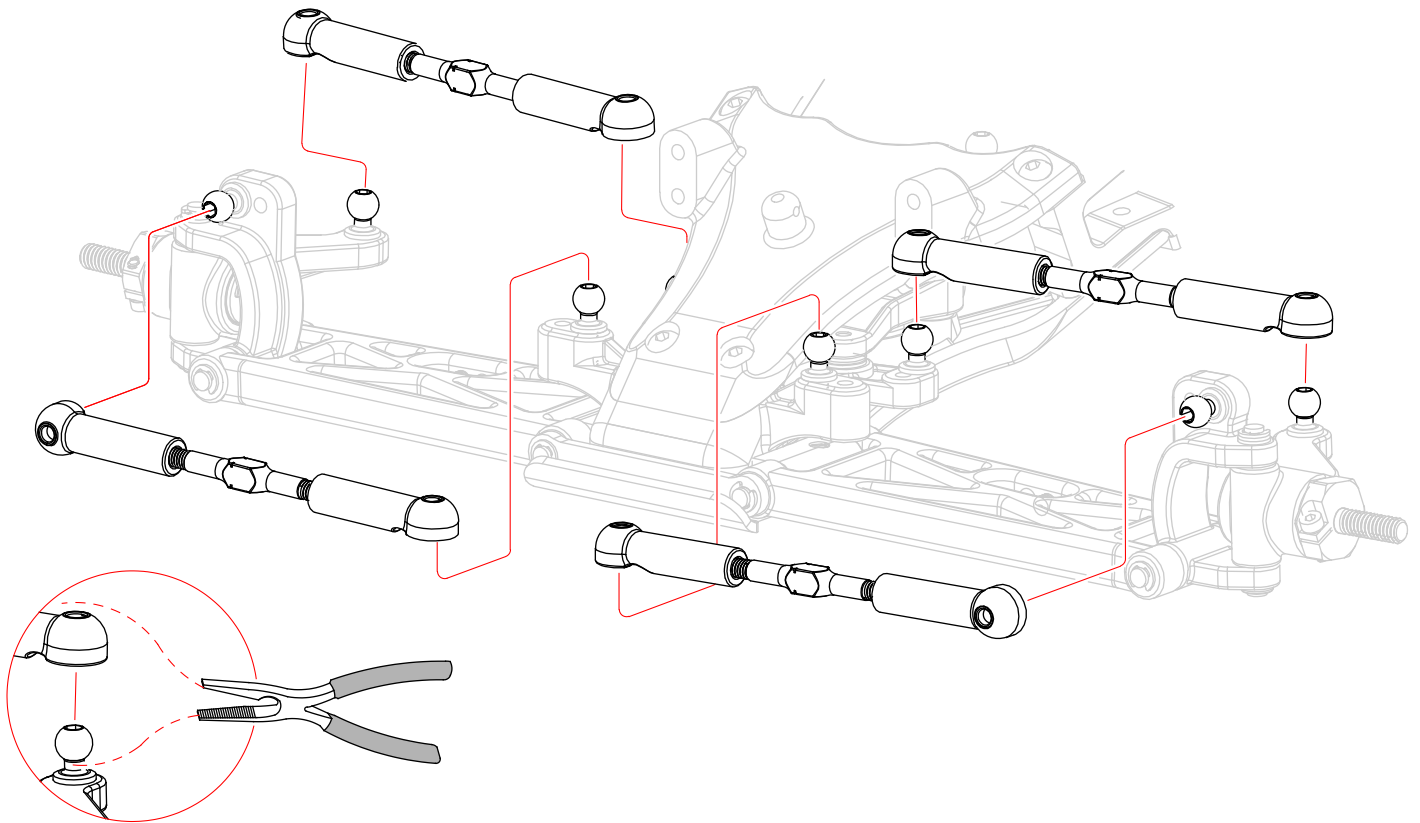
L <Left>
R <左>

8 Turnbuckle
拉桿

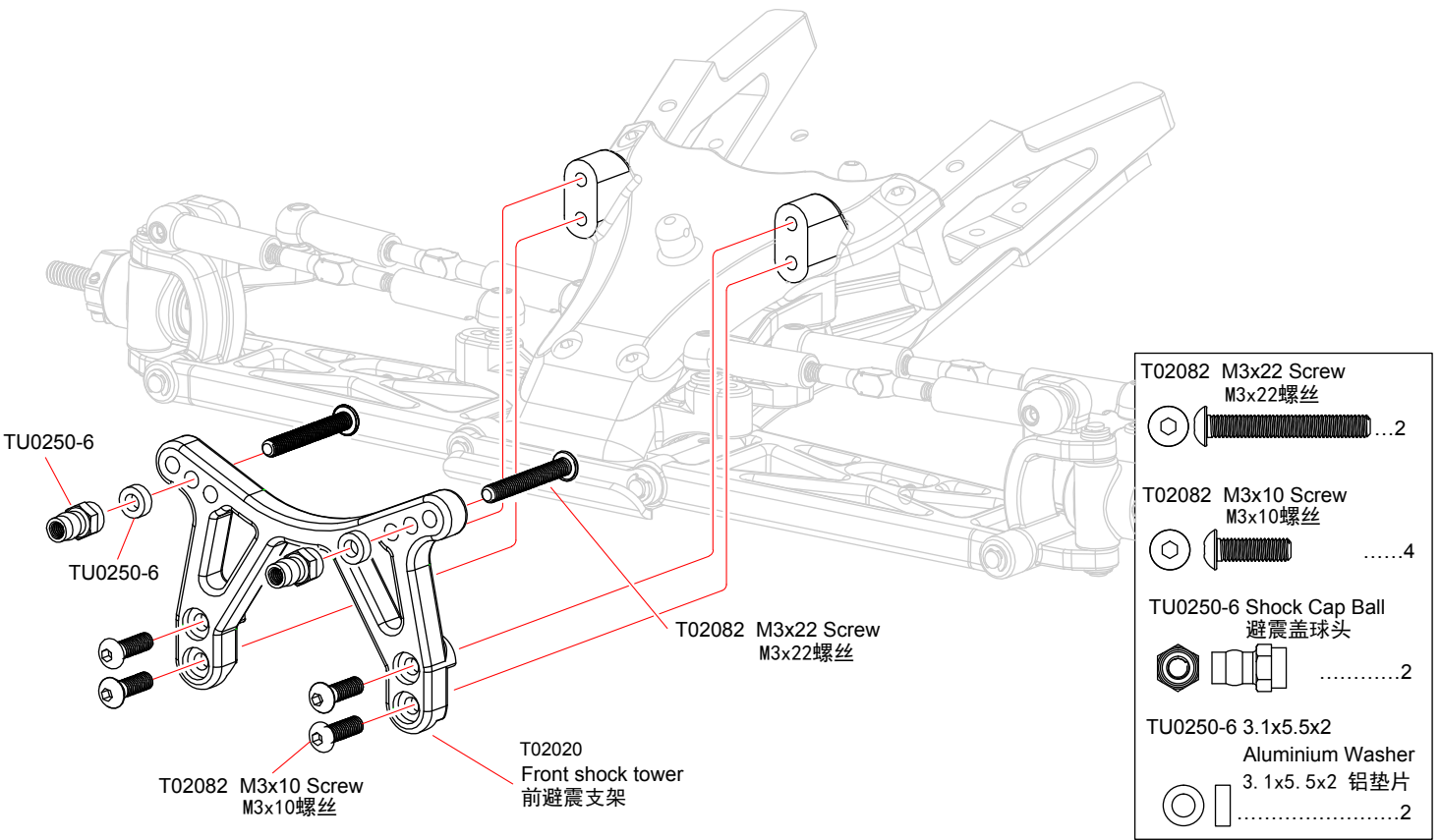


T04014 4.8mm Ball End(Long) 4.8球头座 (长) 8	T04024 3x45 Turnbuckle 3x45拉杆 4
--	--------	---	--------

9 Front Suspension
前懸吊系統

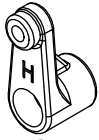


10 Front Suspension
前懸吊系統

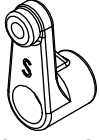


11 Steering Servo
轉向伺服系統

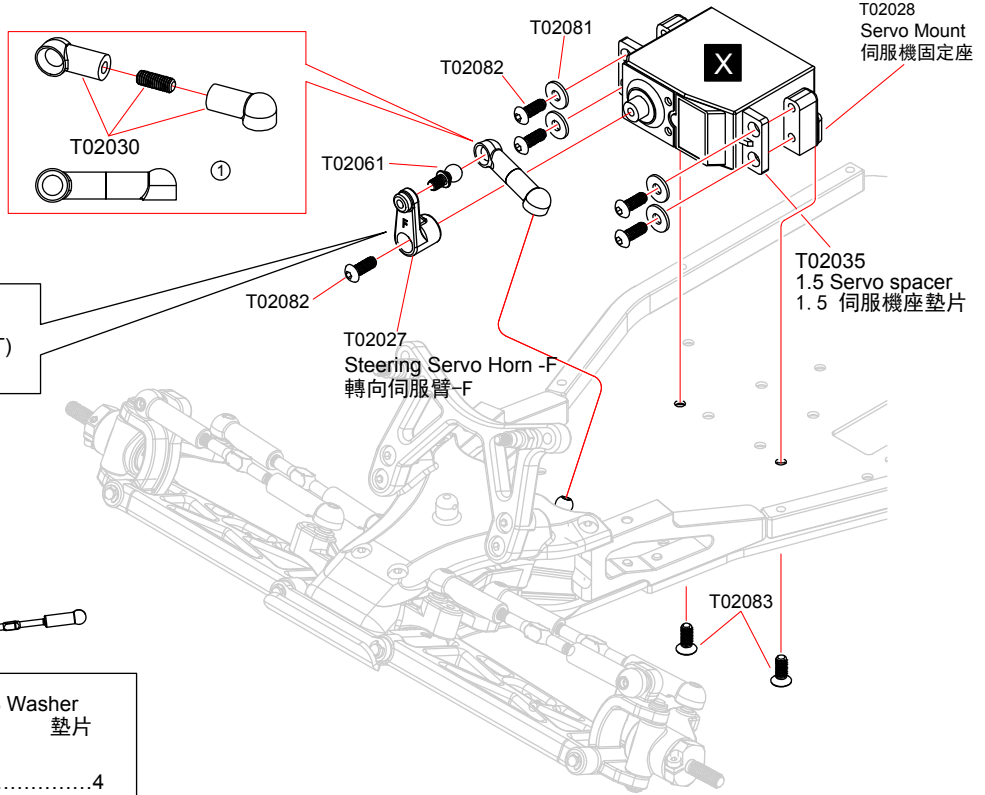
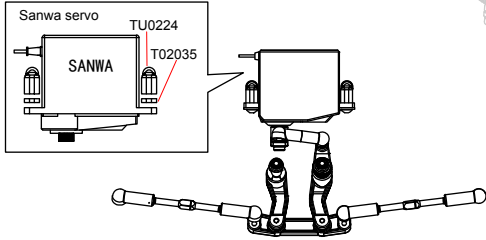
Select for your servo
根據伺服器選擇



Steering Servo-H(24T)
轉向伺服臂H(24T)



Steering Servo-S(23T)
轉向伺服臂S(23T)



T02030 4.8 Ball End(Short)
球頭座(短)



T02081 3x7x0.8 Washer
墊片



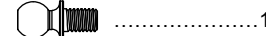
T02030 M3x10 Screw
螺絲



T02082 M3x8 Screw
螺絲



T02061 4.8x4.5 Ball stud
球頭



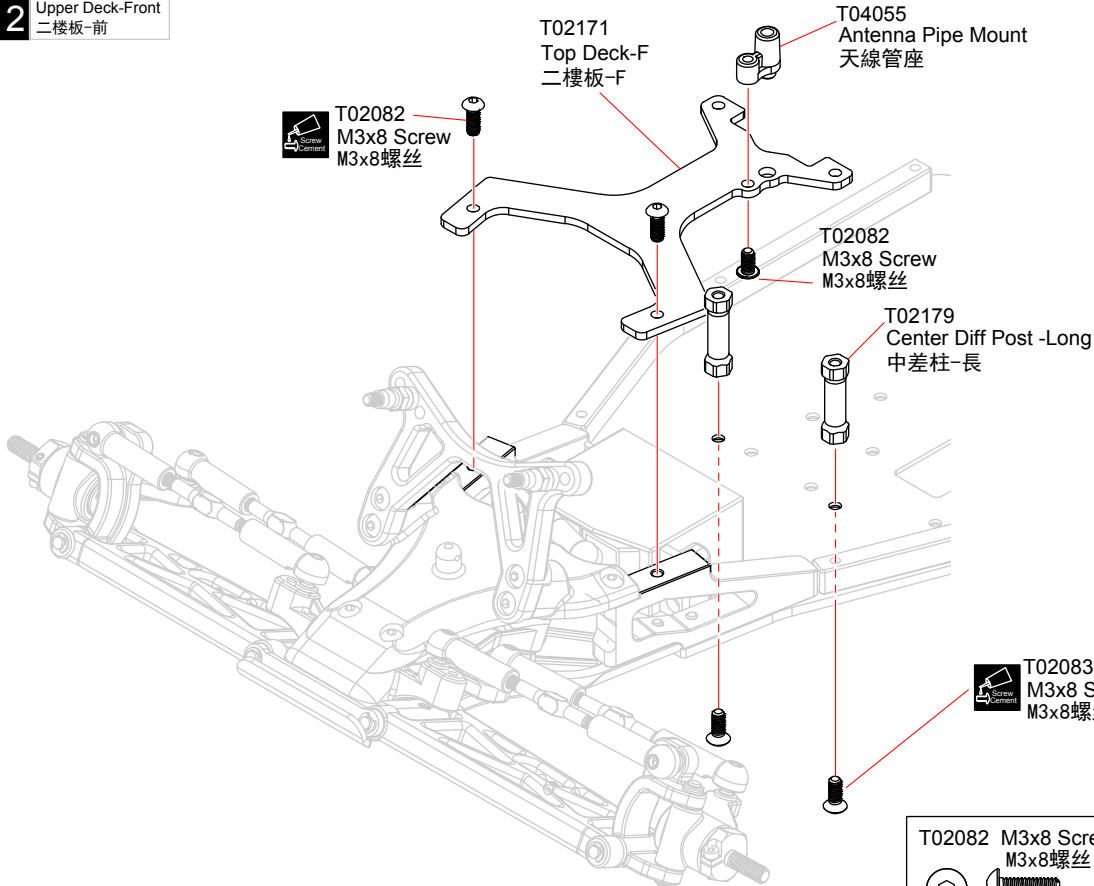
T02083 M3x8 Screw
螺絲



T02035 1.5 Servo spacer
伺服機座墊片



12 Upper Deck-Front
二樓板-前



T02082 M3x8 Screw
M3x8螺絲



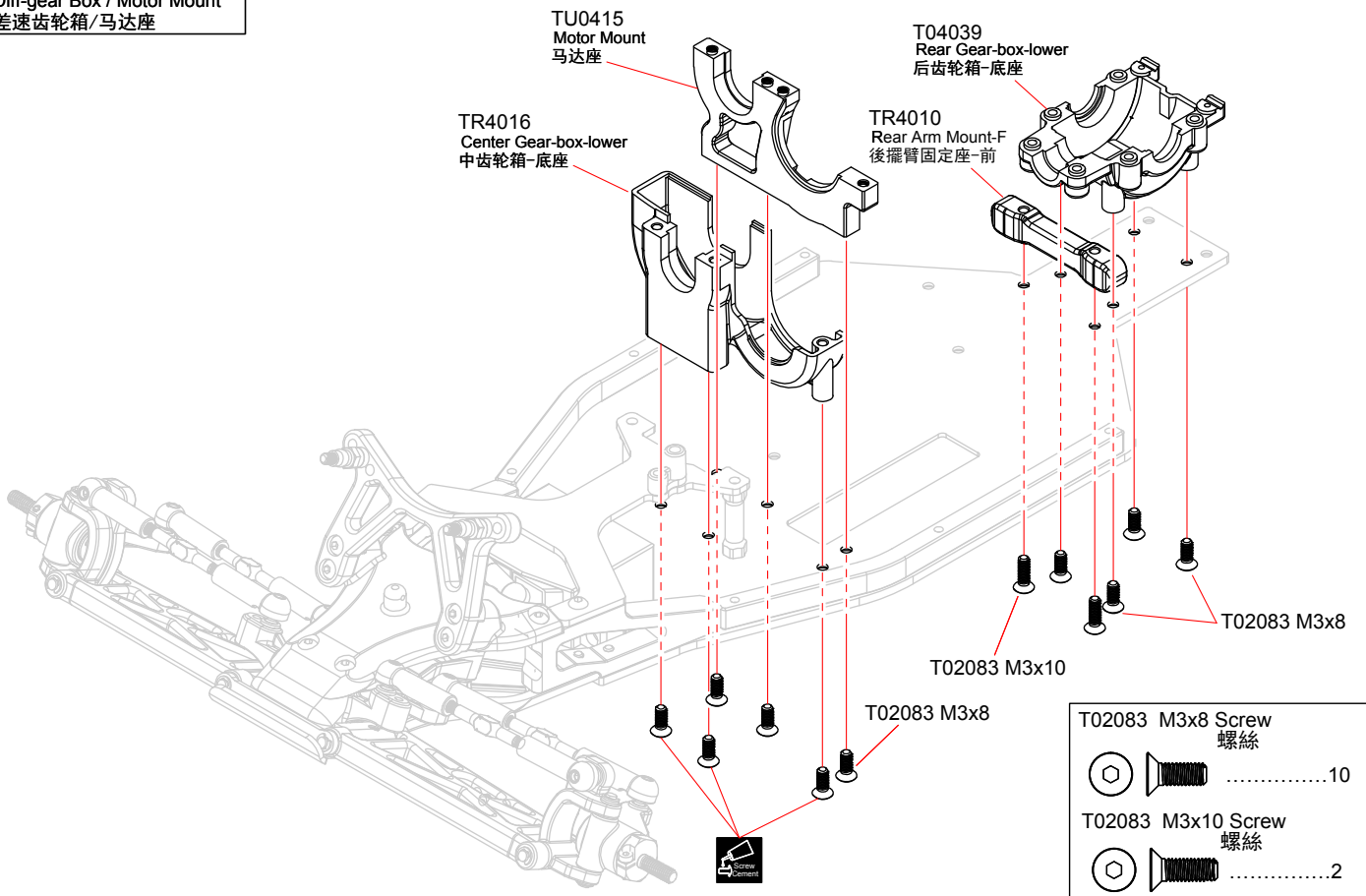
T02083 M3x8 Screw
螺絲



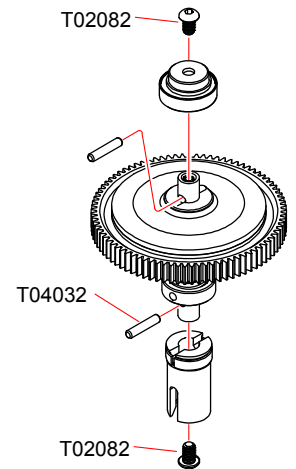
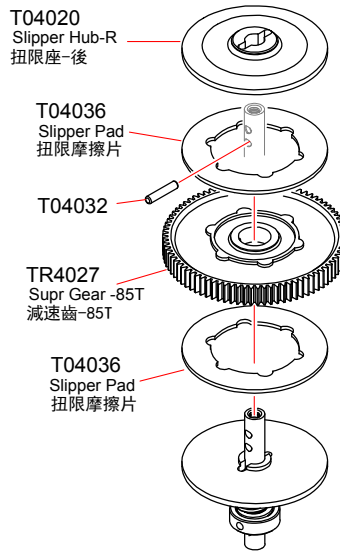
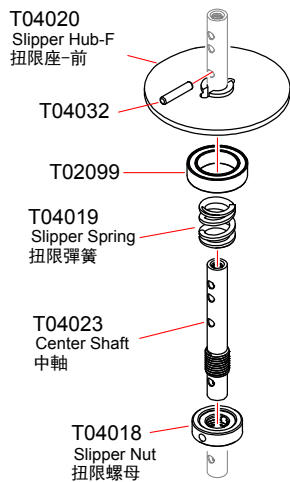
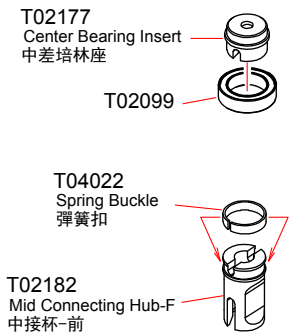
X Must be purchased separately
需另购物品

Apply threadlocker(screw cement)
打螺丝胶水

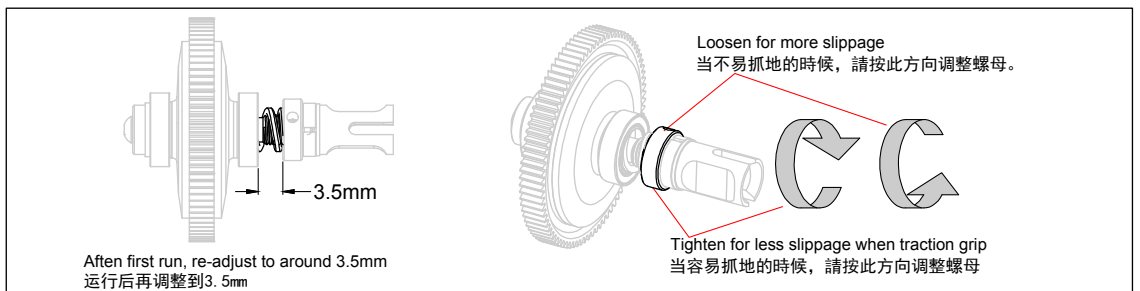
13 Diff-gear Box / Motor Mount
差速齿轮箱/马达座



14 Mid Gear
中齿轮



- T04032 2x9.8 Pin
2x9.8 钢针
.....4
- T02082 M3x5 Screw
M3x5 螺丝
.....2
- T02099 10x15x4 Ball Bearing
10x15x4 轴承
.....2



Apply threadlocker(screw cement)
打螺丝胶水

15 Diff
差速器

TS4040 3.0 E-ring
3.0 E扣2

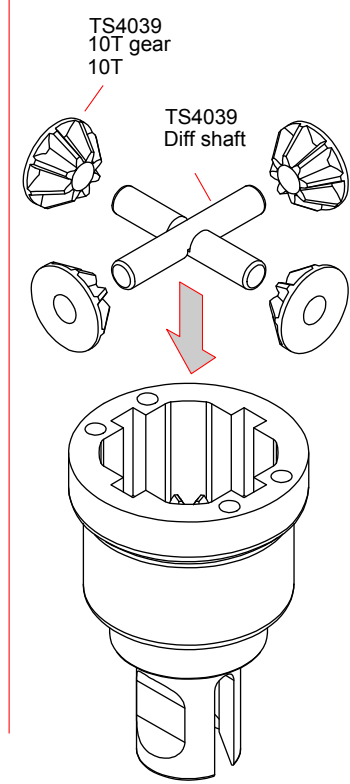
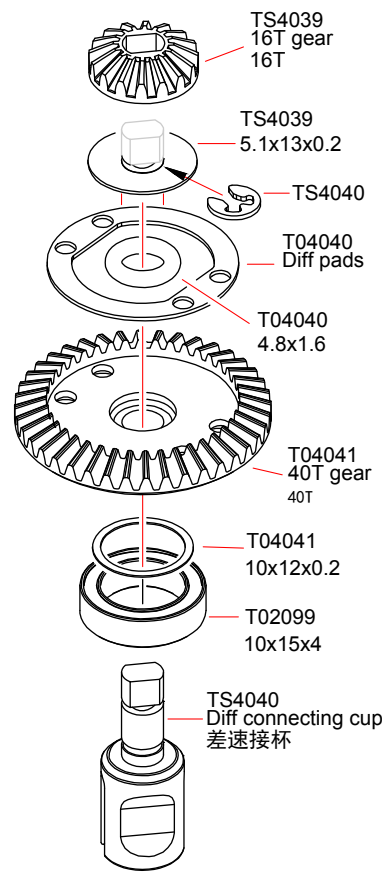
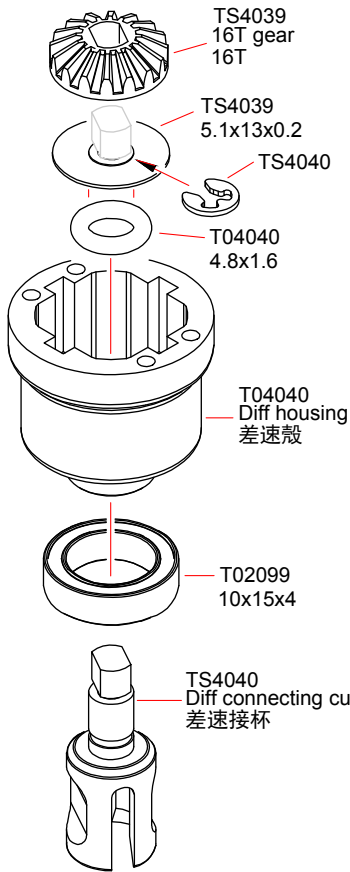
TS4039 5.1x13x0.2 Washer
5.1x13x0.2 墊片2

T04040 4.8x1.6 O-ring
4.8x1.6 O2

T02099 10x15x4 Ball Bearing
10x15x4 軸承2

TS4039 Diff shaft
差速軸2

T04041 10x12x0.2 Washer
10x12x0.2 墊片2



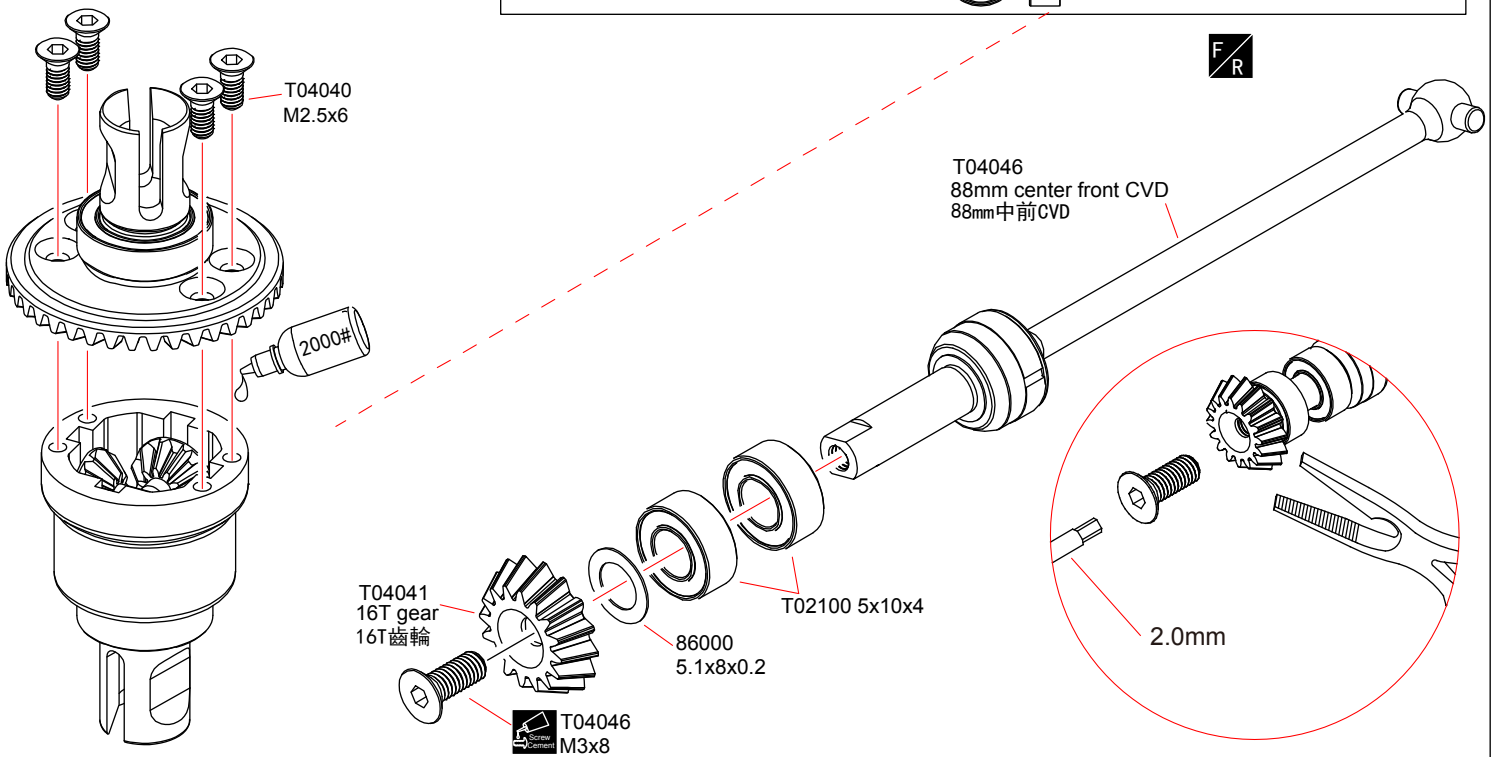
16 Diff / Mid CVD
差速器/中CVD

T04040 M2.5x6 Screw
M2.5x6 螺絲4

T02083 M3x8 Screw
M3x8 螺絲1

T02100 5x10x4 Ball Bearing
5x10x4 軸承2

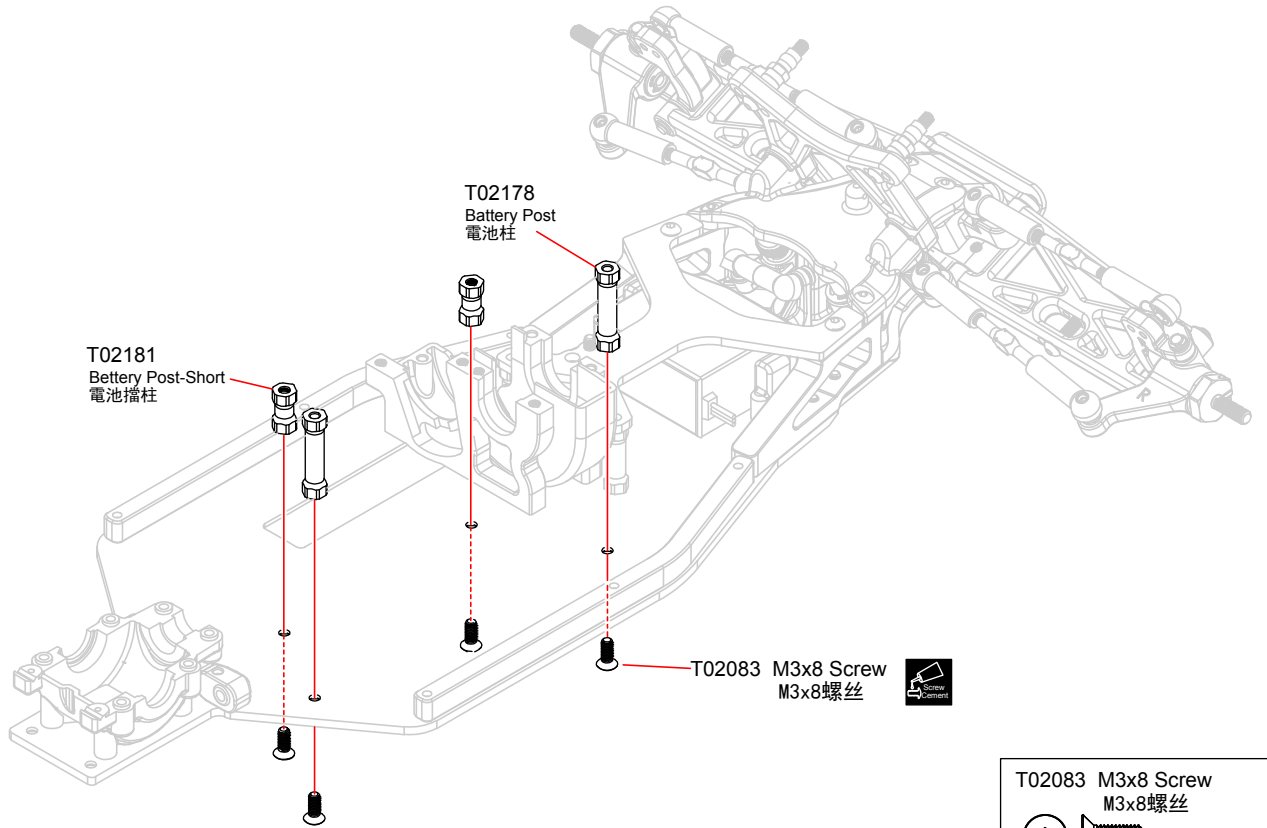
86000 5.1x8x0.2 Washer
5.1x8x0.2 墊片2



x2 Assemble as many times as specified
需組裝數量

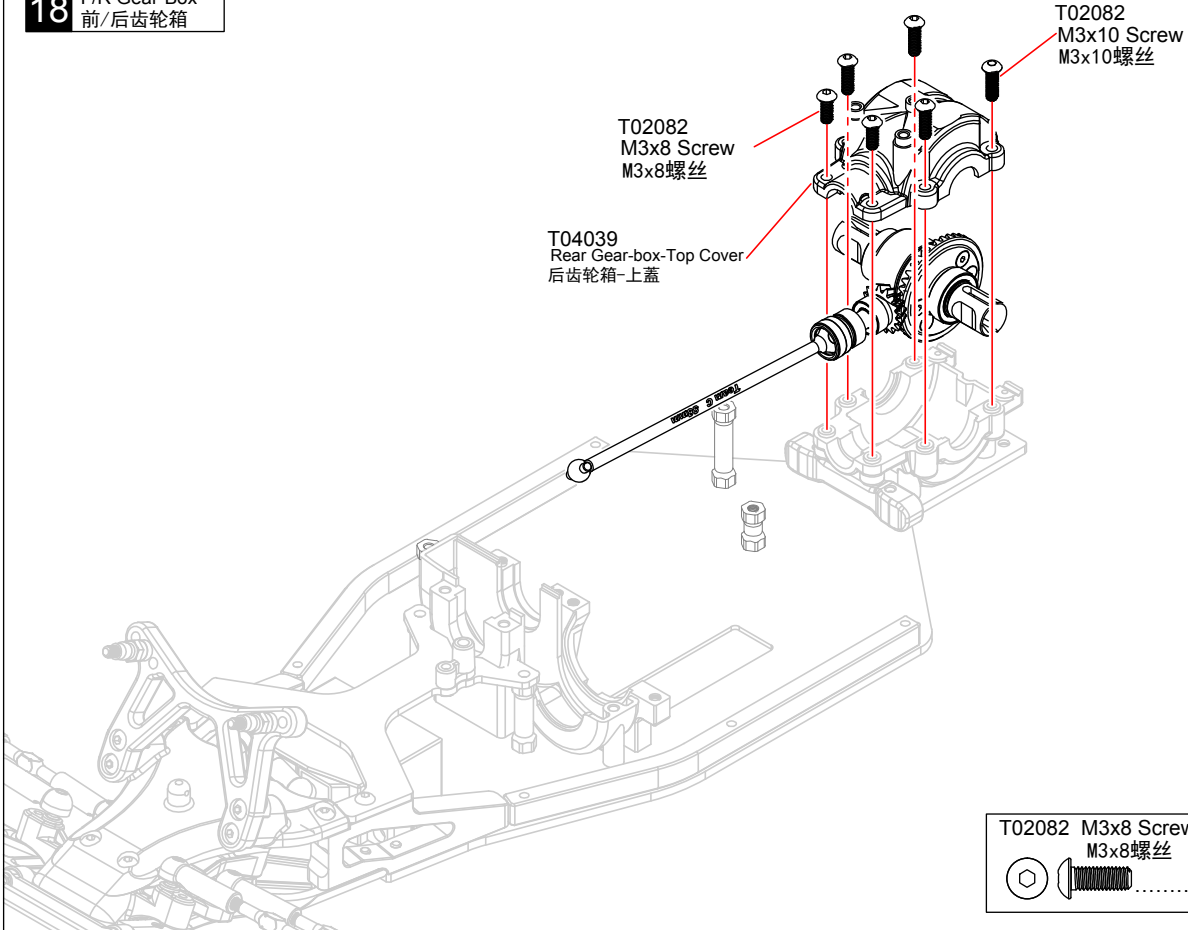
Apply threadlocker(screw cement)

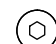
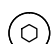
17 Battery column
電池柱



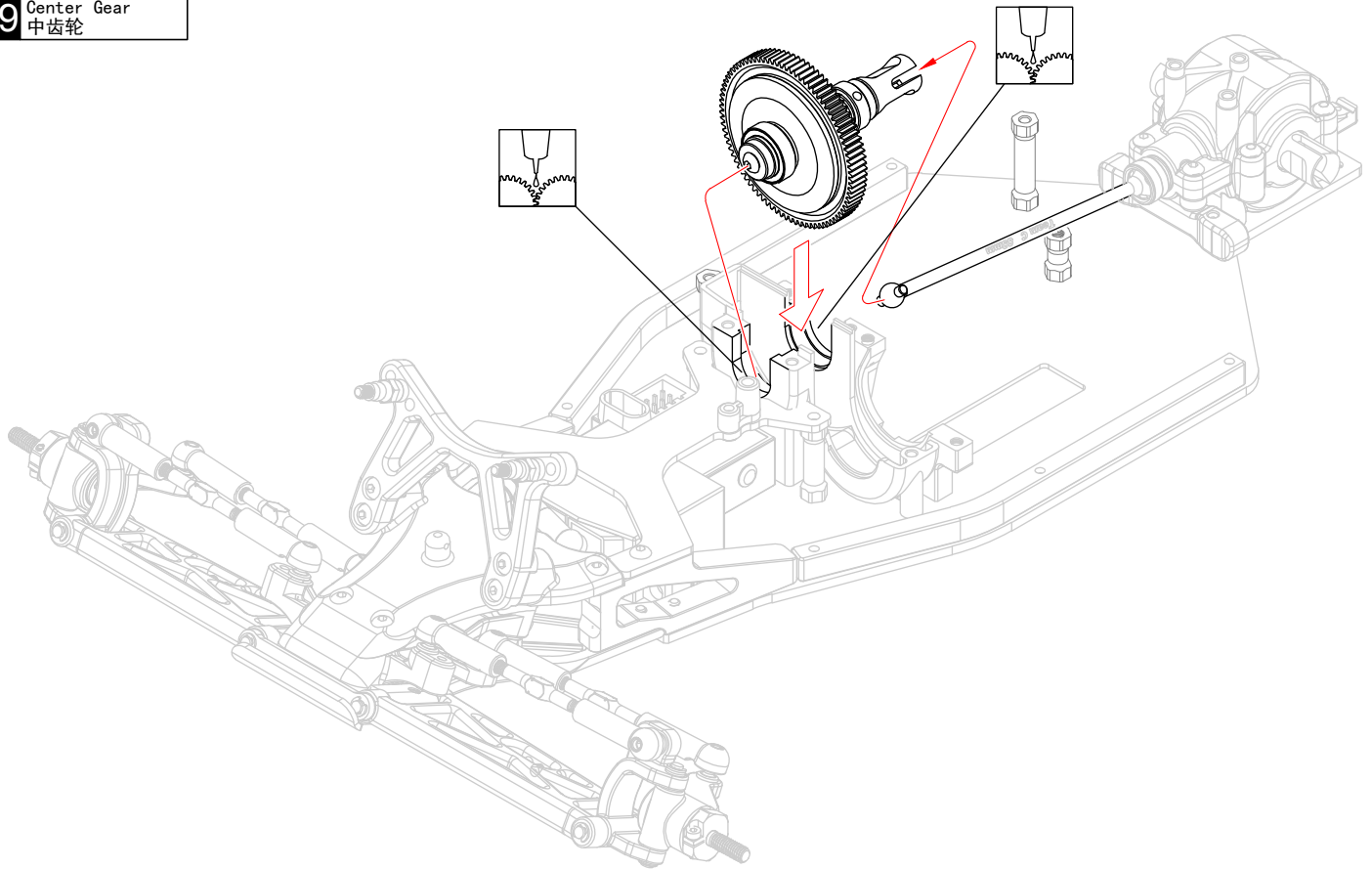
T02083 M3x8 Screw M3x8螺丝	4
-----------------------------	---	--------

18 F/R Gear-Box
前/后齿轮箱

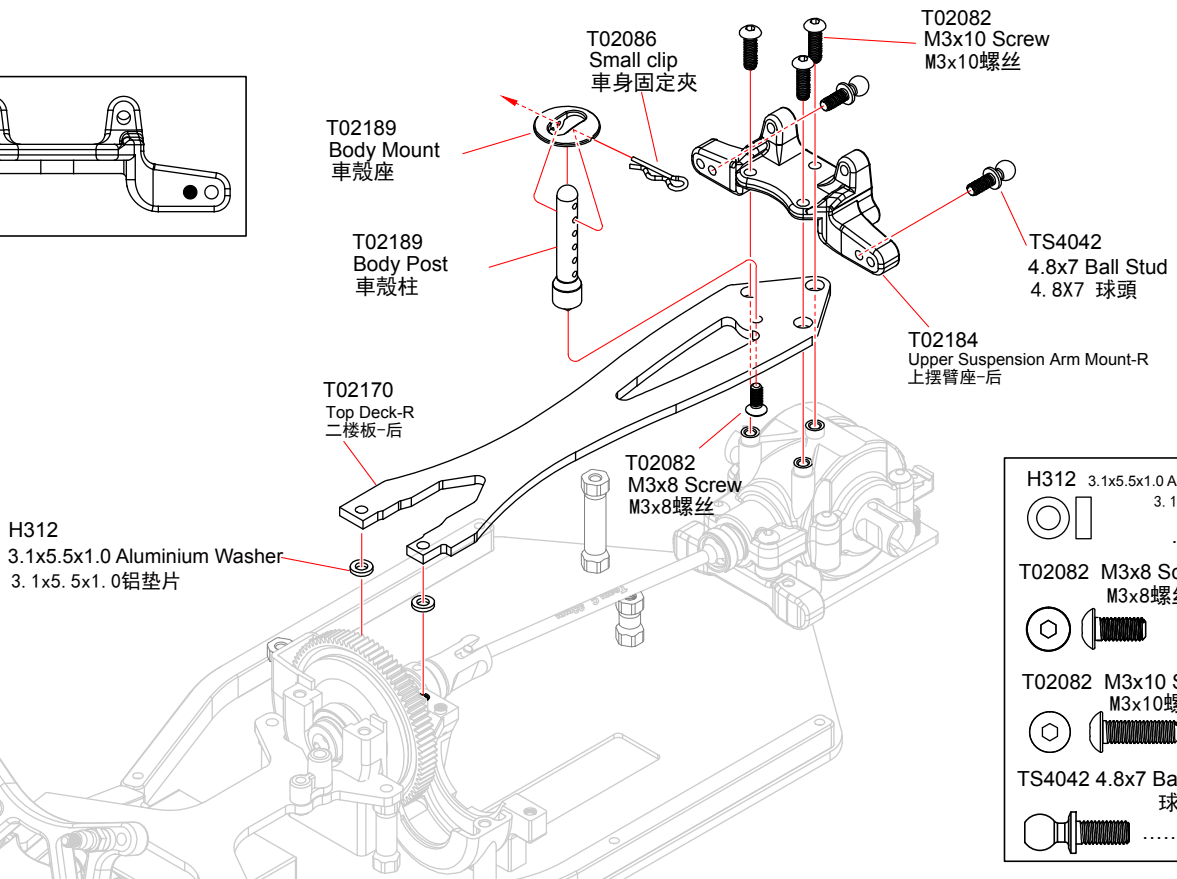
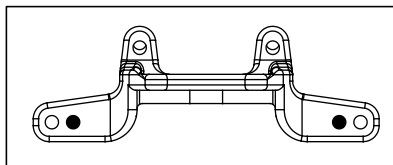


T02082 M3x8 Screw M3x8螺丝	2	T02082 M3x10 Screw M3x10螺丝	4
-----------------------------	---	--------	-------------------------------	---	--------

19 Center Gear
中齿轮

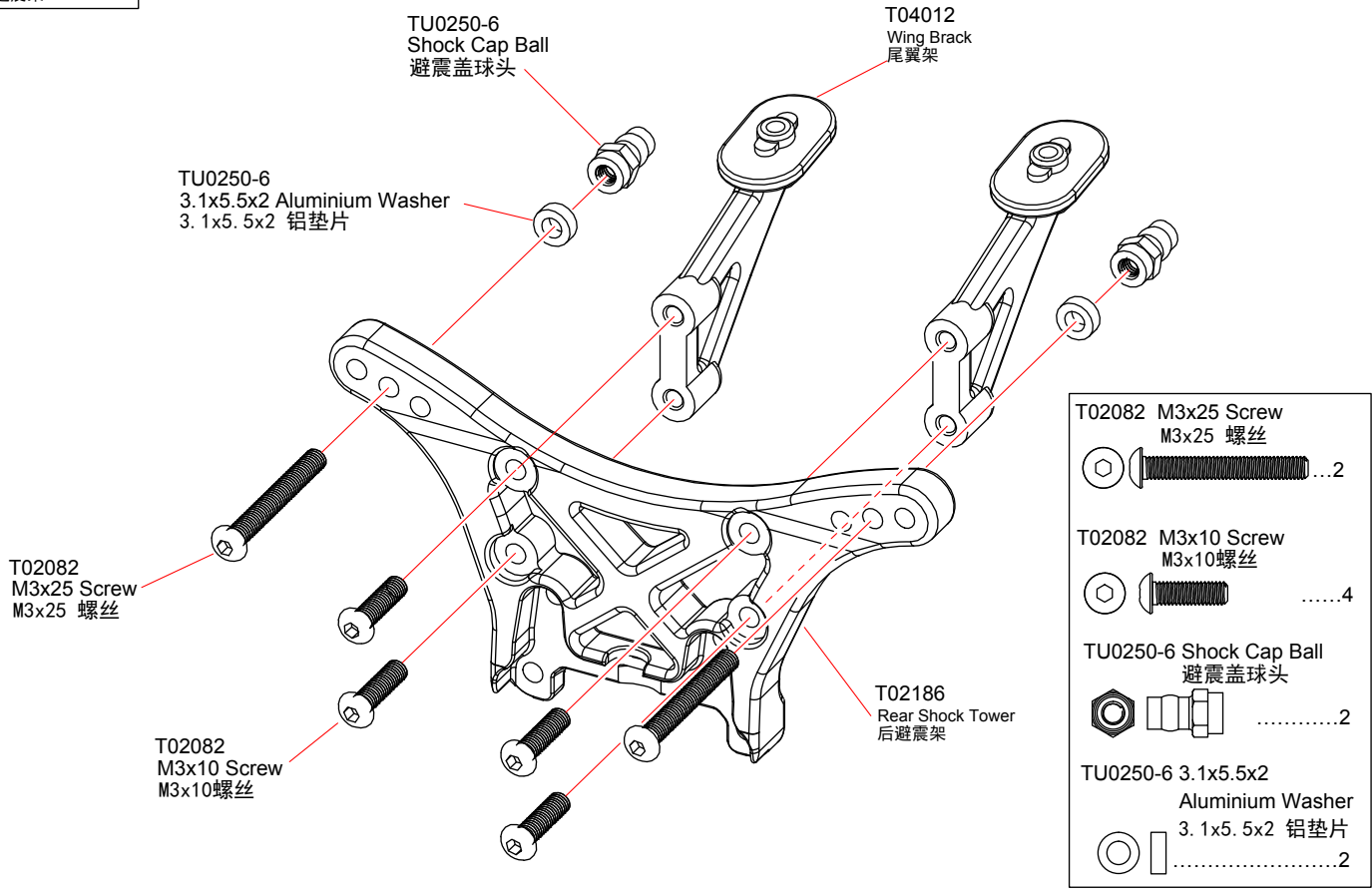


20 Upper Deck-Rear / Rear Upper Suspension Arm Mount
二楼板-后/后上摆臂座

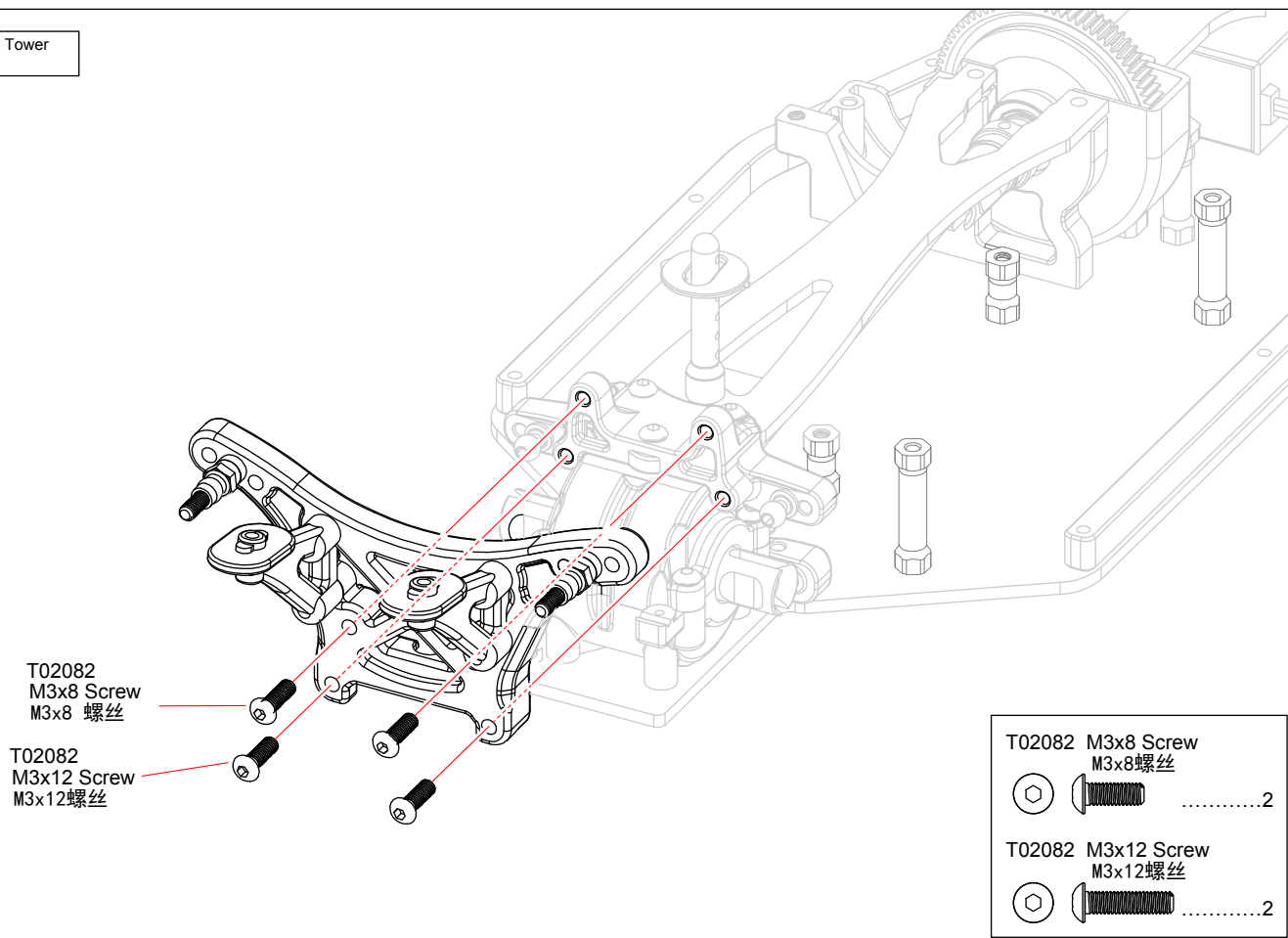


H312	3.1x5.5x1.0 Aluminium Washer	3.1x5.5x1.0铝垫片2
T02082	M3x8 Screw	M3x8螺丝1
T02082	M3x10 Screw	M3x10螺丝3
TS4042	4.8x7 Ball stud	球头2

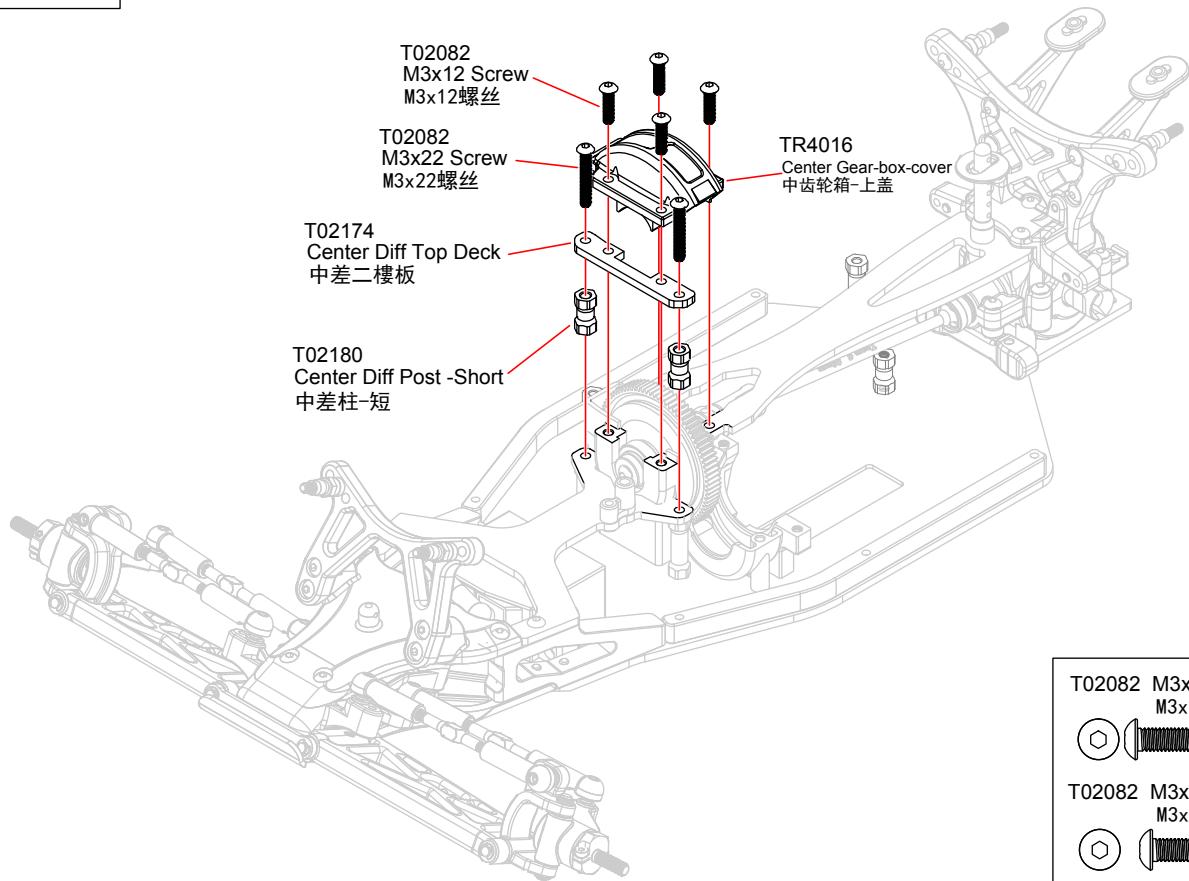
21 Rear Shock Tower
后避震架





22 Rear Shock Tower
后避震架





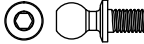

23 Spur Gear Cover
减速齿轮盖

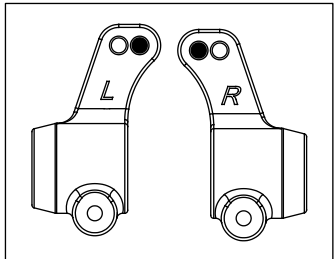
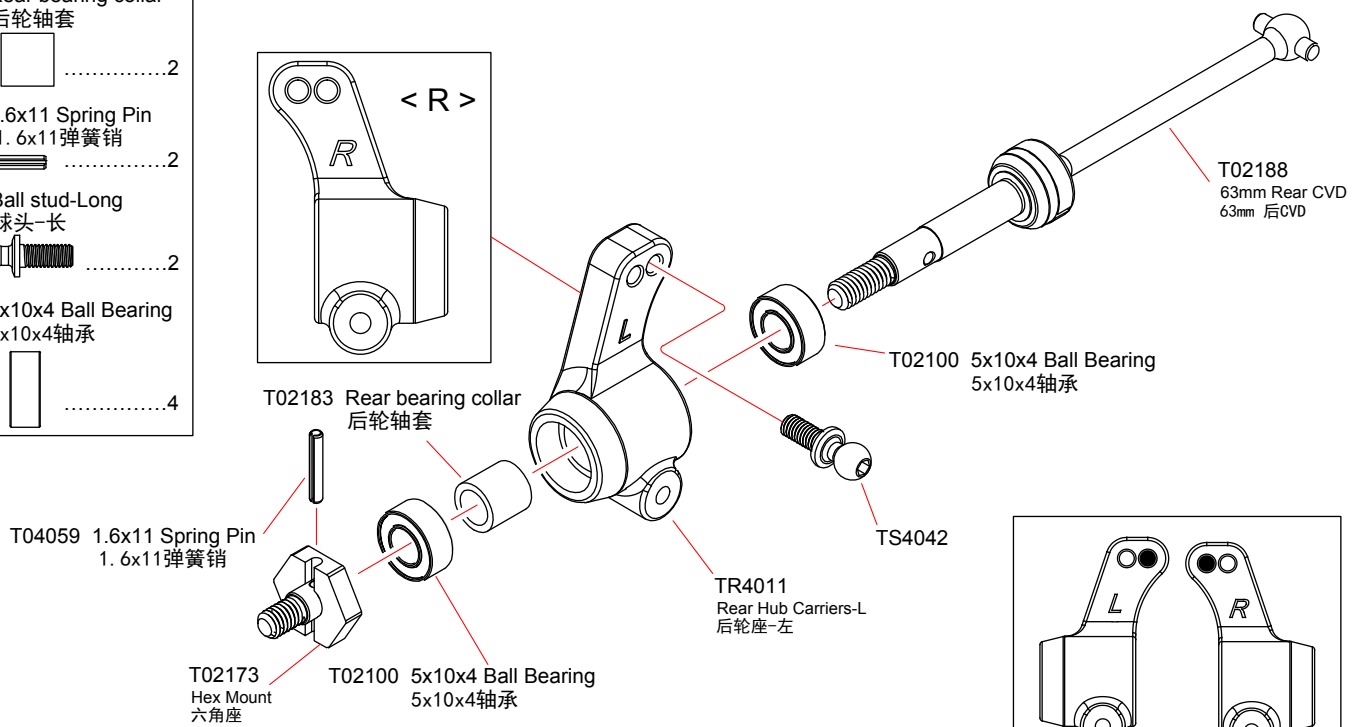
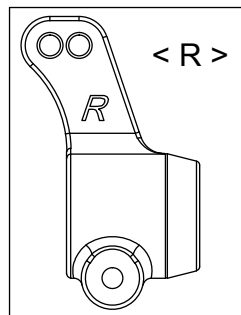


- T02082 M3x22 Screw
M3x22螺丝
 ...2
- T02082 M3x12 Screw
M3x12螺丝


24 Rear Hub Carrier
后轮座



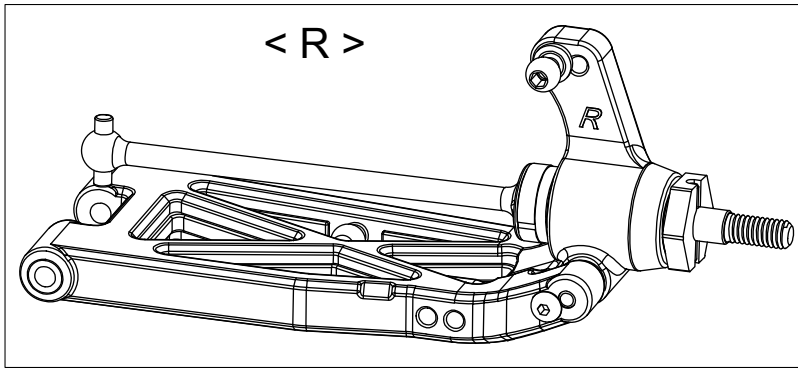
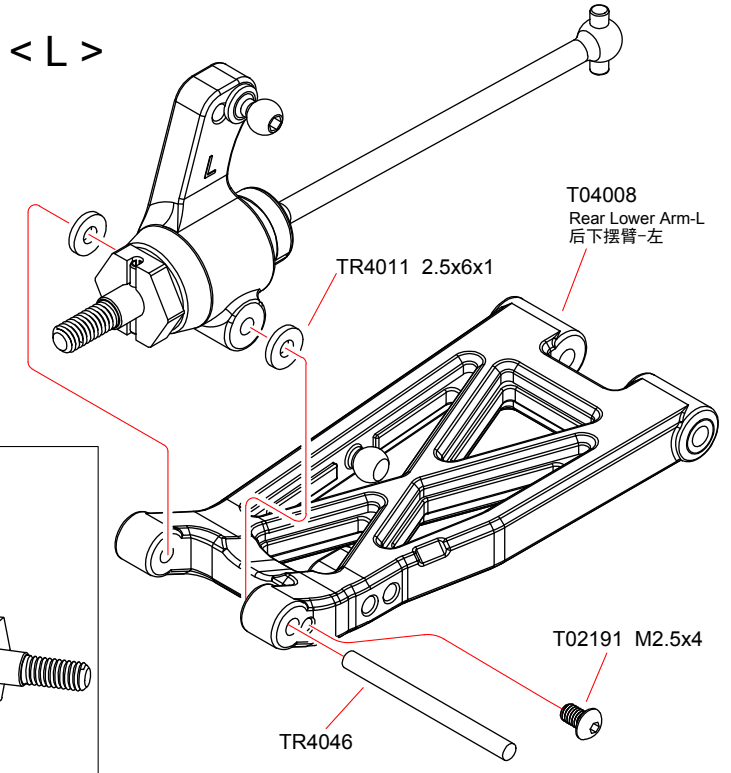
- T02183 Rear bearing collar
后轮轴套
2
- T04059 1.6x11 Spring Pin
1.6x11弹簧销
2
- TS4042 Ball stud-Long
球头-长
2
- T02100 5x10x4 Ball Bearing
5x10x4轴承




25 Rear Suspension Arm
後摆臂



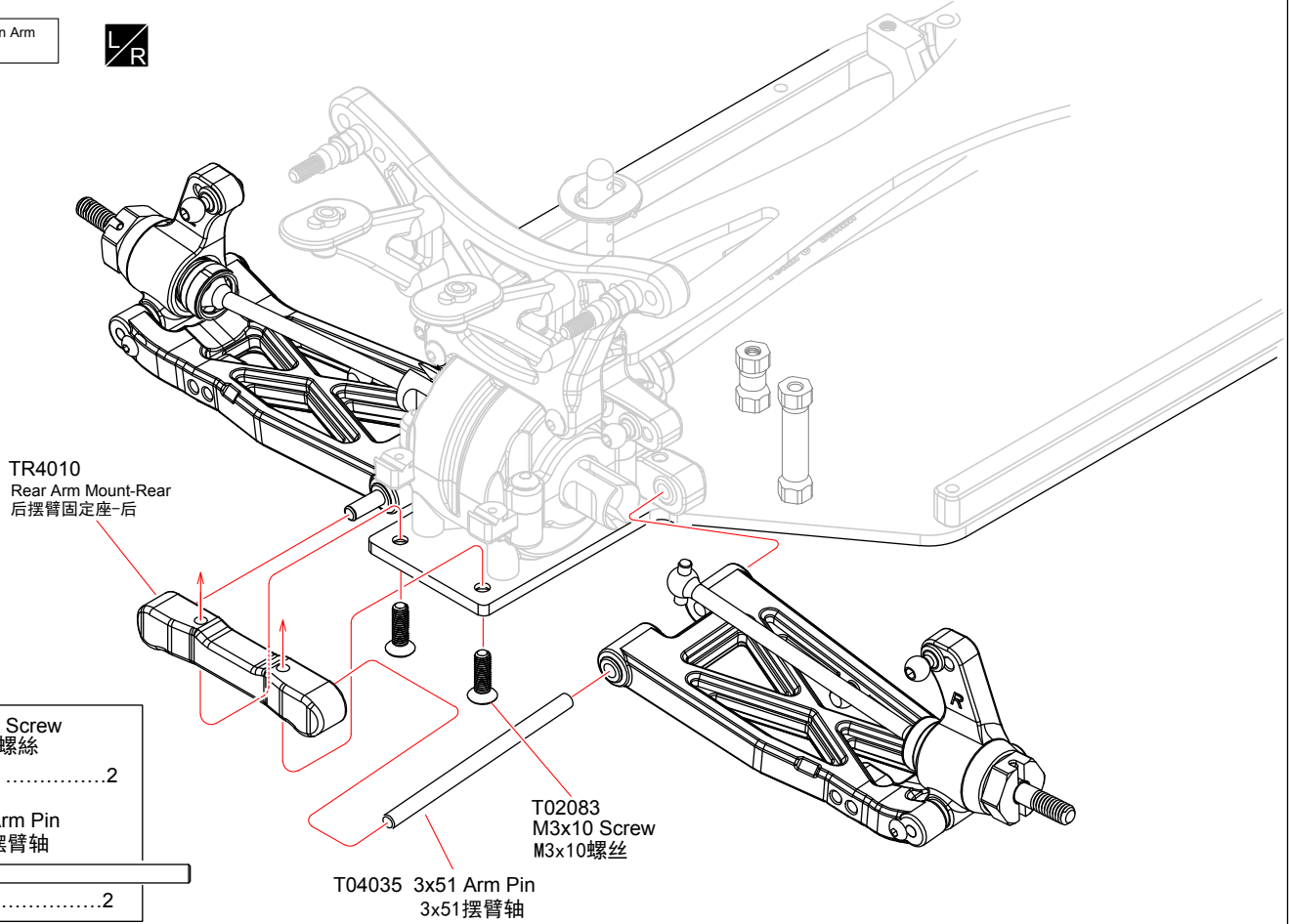
- TR4011 2.5x6x1 Washer
2.5x6x1垫片4
- T02191 M2.5x4 Screw
M2.5x4螺丝2
- TR4046 2.5x30 Arm Pin
2.5x30摆臂轴2



26 Rear Suspension Arm
後摆臂



- T02083 M3x10 Screw
螺丝2
- T04035 3x51 Arm Pin
3x51摆臂轴2

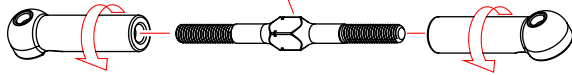


Assemble both Left and Right
组装左和右

27 Rear Turnbuckle
后拉杆

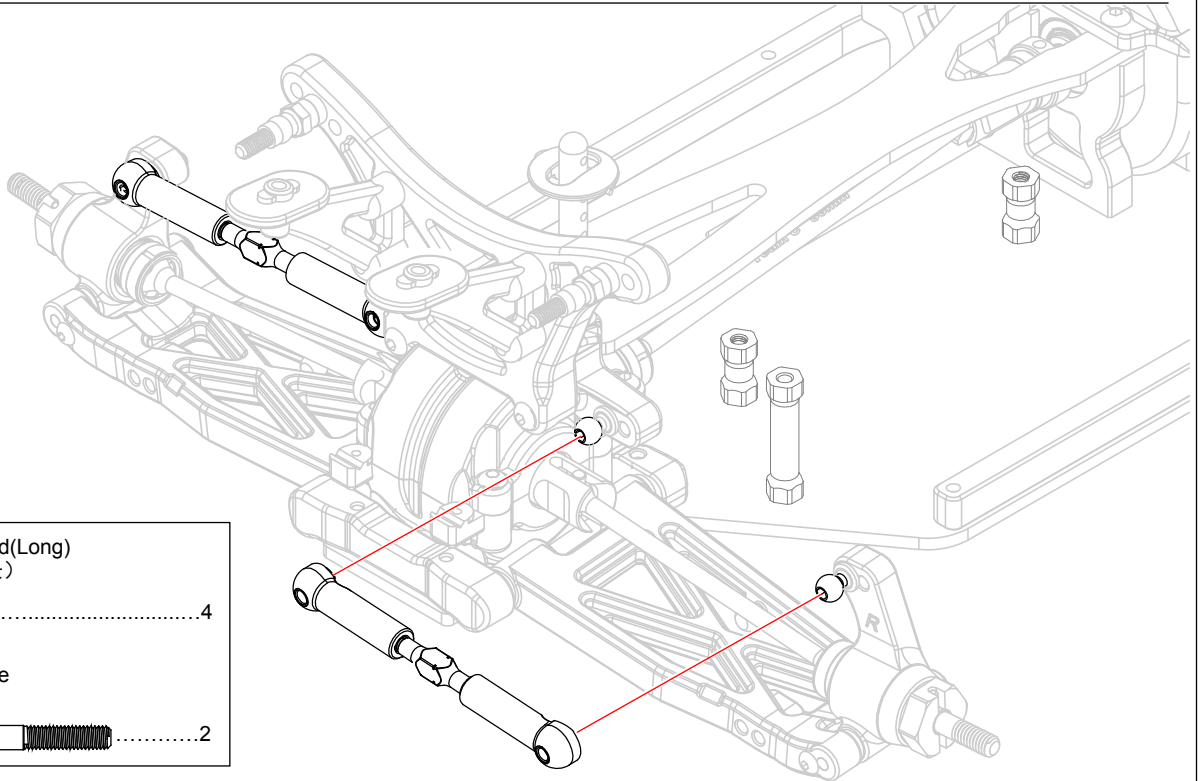
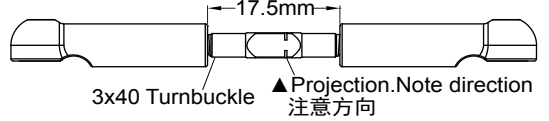


T04024 3x40 Turnbuckle
3x40 拉杆

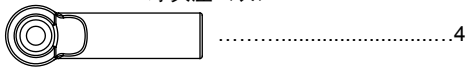


1:1 x2

Rear upper Rod 後上拉杆



T04014 4.8mm Ball End(Long)
4.8球头座 (长)



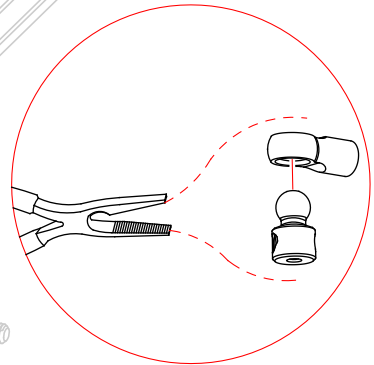
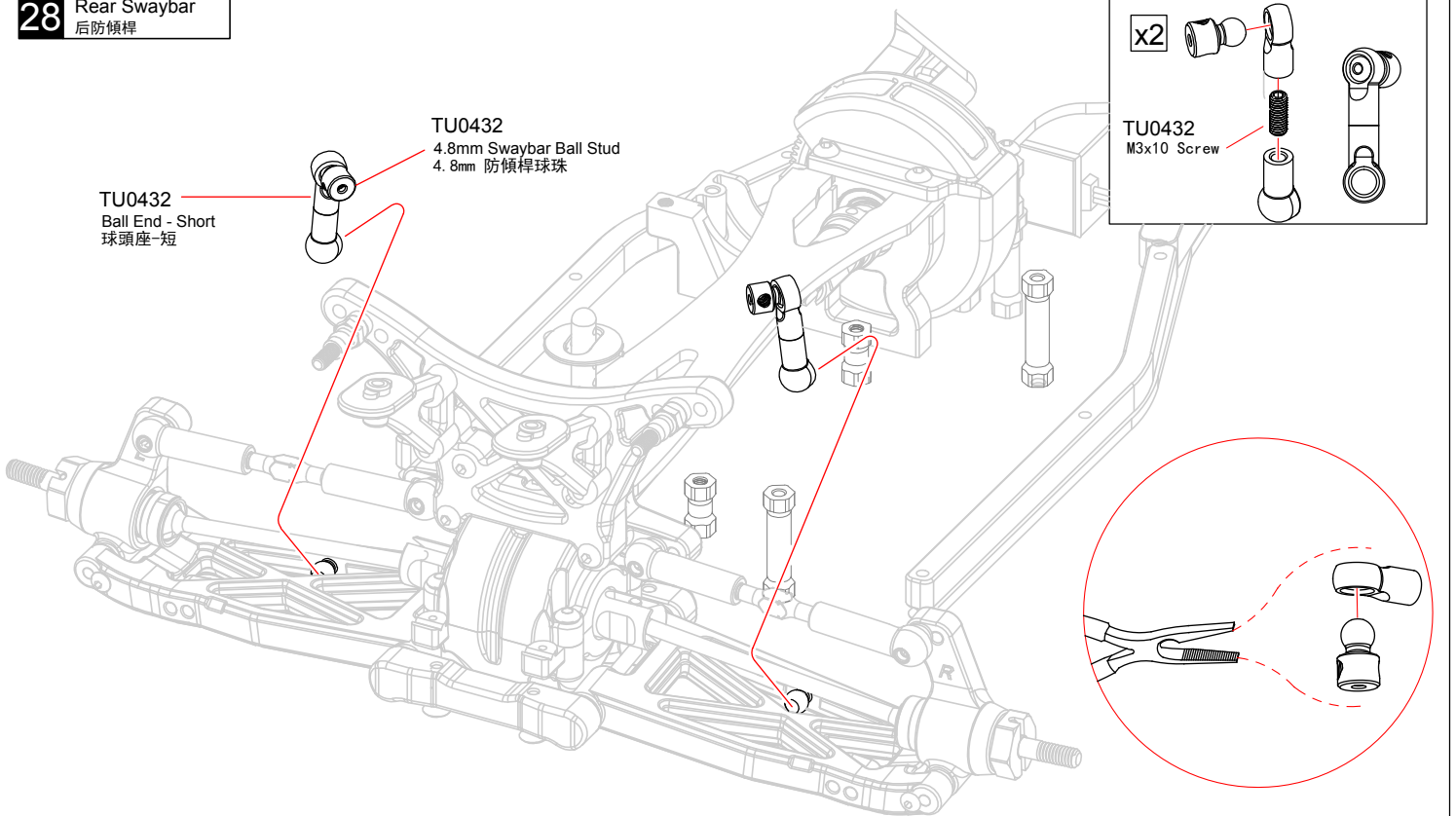
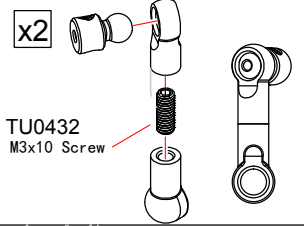
T04024 3x40 Turnbuckle
3x40 拉杆



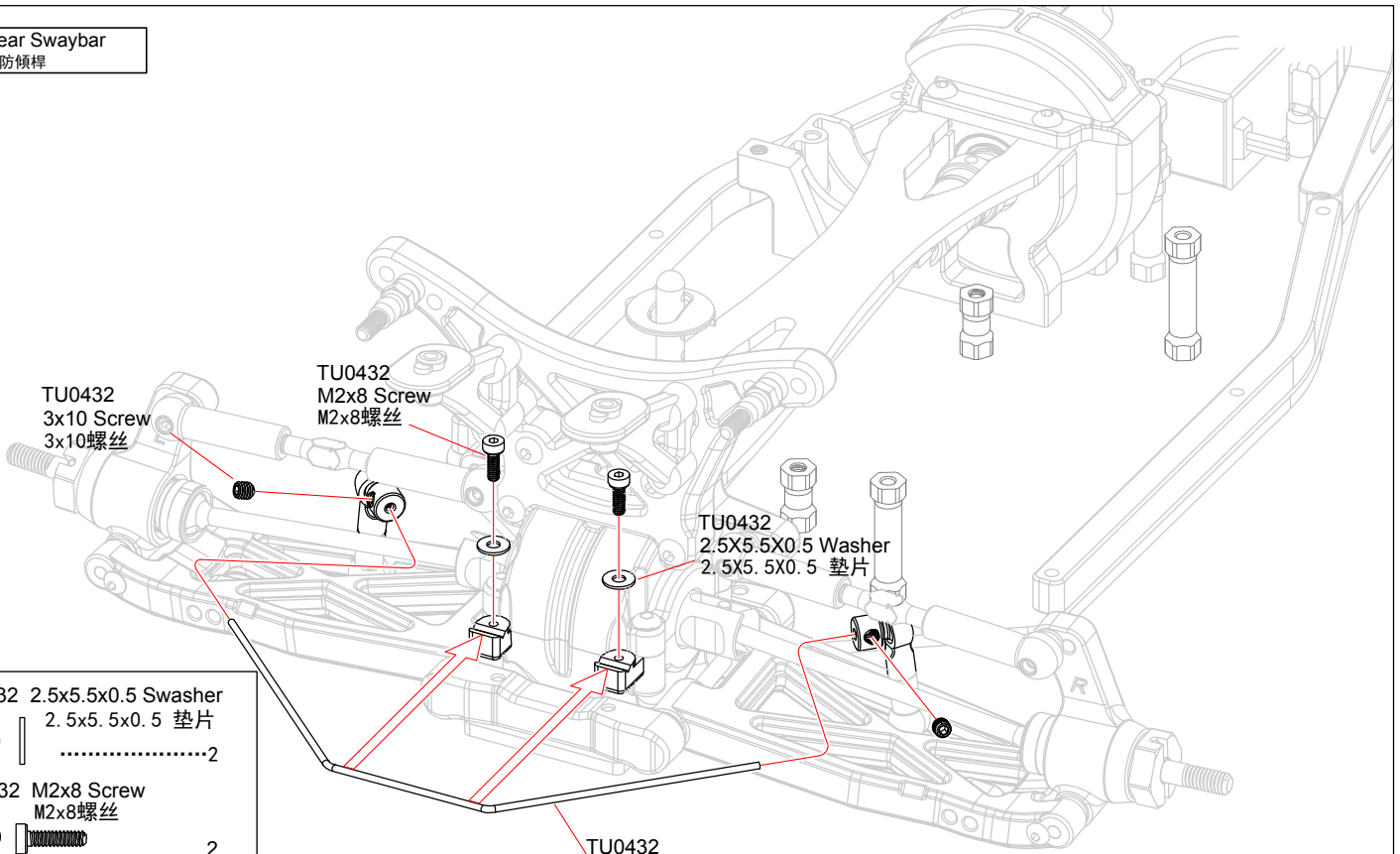
28 Rear Swaybar
后防倾桿

TU0432
4.8mm Swaybar Ball Stud
4.8mm 防倾桿球珠

TU0432
Ball End - Short
球頭座-短



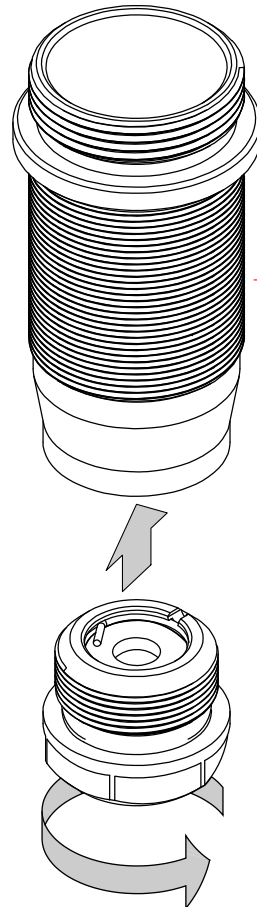
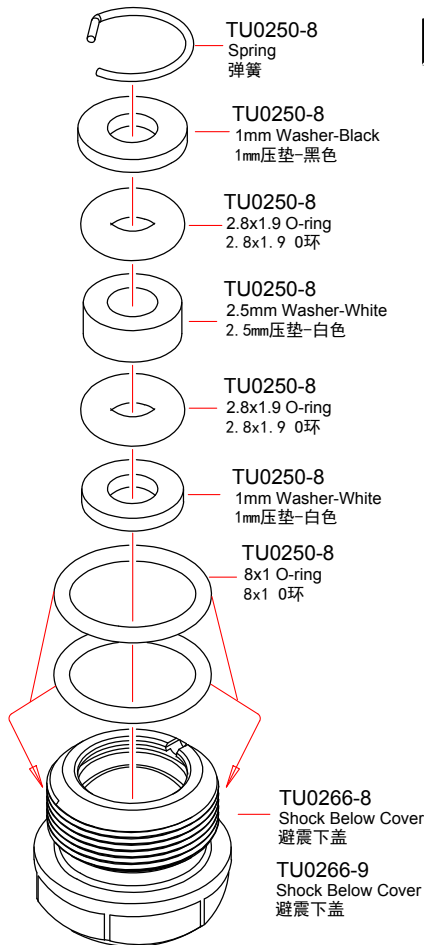
29 Rear Swaybar
后防倾棒



- TU0432 2.5x5.5x0.5 Swasher
2.5x5.5x0.5 垫片
.....2
- TU0432 M2x8 Screw
M2x8螺丝
.....2
- TU0432 M3x3 Screw
M3x3机米螺丝
.....2

30 Shock Absorber
避震器

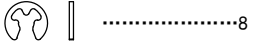
- TU0250-8 Spring
弹簧
.....4
- TU0250-8 1mm Washer-Black
1mm压垫-黑色
.....4
- TU0250-8 1mm Washer-White
1mm压垫-白色
.....4
- TU0250-8 2.5mm Washer-White
2.5mm压垫-白色
.....4
- TU0250-8 2.8x1.9 O-ring
2.8x1.9 O环
.....8
- TU0250-8 8x1 O-ring
8x1 O环
.....8



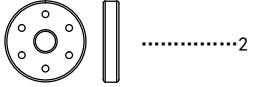
- TU0266-8
Front Shock Absorber Body-Short
前避震器筒身-短
- TU0266-9
Rear Shock Absorber Body-Long
后避震器筒身-长

31 Shock Absorber
避震器

TU0250-1/TU0250-2 2.3 E-ring
2.3 E扣



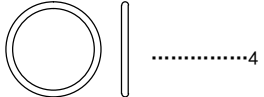
TU0250-7 Front Shock Piston-Black
前活塞-黑色



TU0250-7 Rear Shock Piston-White
后活塞-白色



TU0250-8 12x1 O-ring
12x1 O环



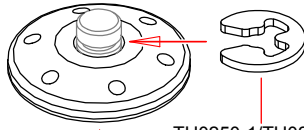
T02187 5.8 Ball End
5.8球头座



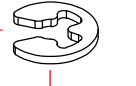
T02062 5.8 Ball Stud
5.8球头



TU0250-7
Front Piston-Black
Rear Piston-White
前活塞-黑色
后活塞-白色



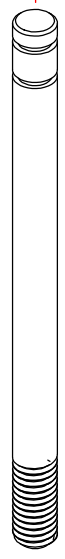
TU0250-1/TU0250-2
2.3 E-ring
2.3 E扣



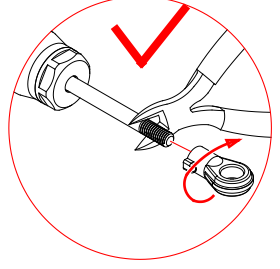
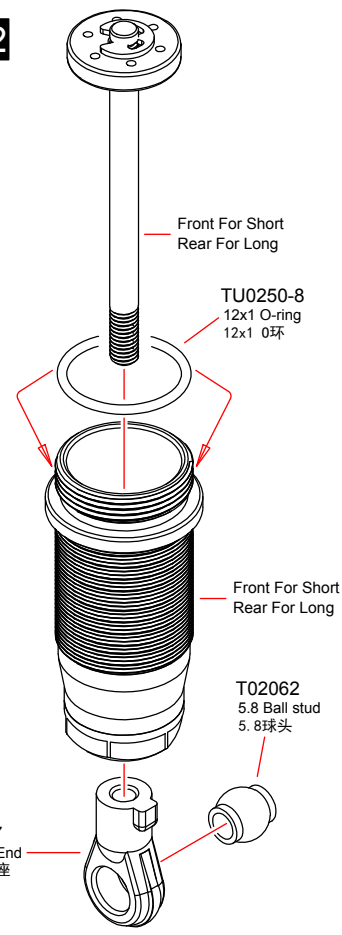
TU0250-1/TU0250-2
2.3 E-ring
2.3 E扣

TU0250-1
Front Shock Absorber Shaft
前避震器轴

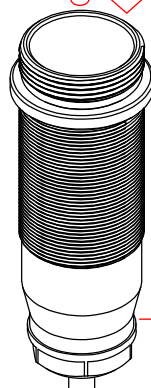
TU0250-2
Rear Shock Absorber Shaft
后避震器轴



F R X2



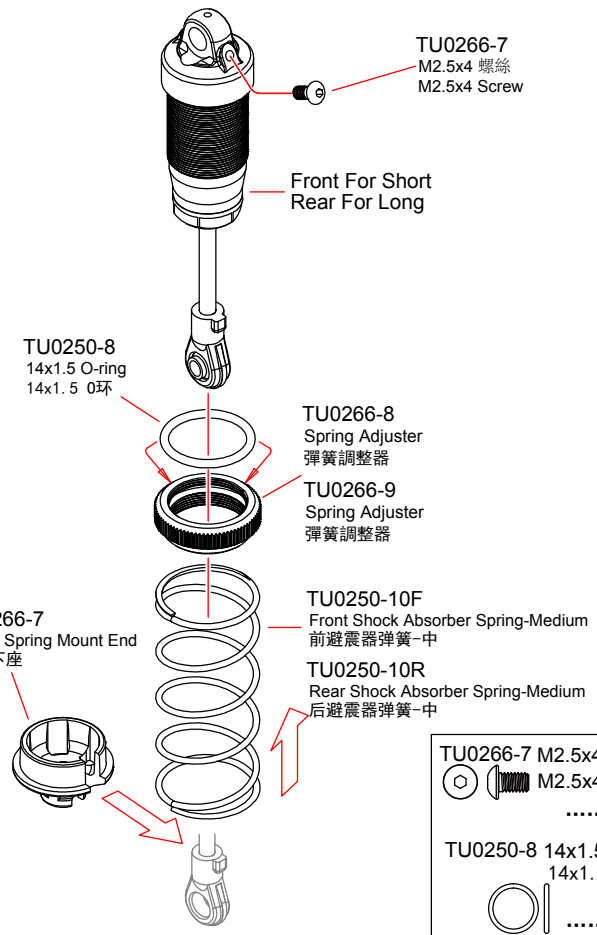
32 Shock Absorber
避震器



TU0266-7
Shock Upper Cover
避震上盖

Front For Short
Rear For Long

F R X2



TU0266-7
M2.5x4 螺絲
M2.5x4 Screw

Front For Short
Rear For Long

TU0250-8
14x1.5 O-ring
14x1.5 O环

TU0266-8
Spring Adjuster
彈簧調整器

TU0266-9
Spring Adjuster
彈簧調整器

TU0250-10F
Front Shock Absorber Spring-Medium
前避震器彈簧-中

TU0250-10R
Rear Shock Absorber Spring-Medium
后避震器彈簧-中

TU0266-7
Below Spring Mount End
彈簧下座

TU0266-7 M2.5x4 Screw
M2.5x4 螺絲

TU0250-8 14x1.5 O-ring
14x1.5 O环



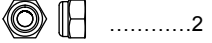
33 Front Shock Absorber
前避震器

T02084
M3 Nylon Nut
M3 尼龙螺母

T02082
M3x15 Screw
M3x15螺丝

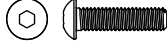


T02084 M3 Nylon Nut
M3尼龙螺母



.....2

T02082 M3x15 Screw
M3x15螺丝

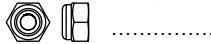


.....2

34 Rear Shock Absorber
后避震器

T02084 M3 Nylon Nut
M3尼龙螺母

T02084 M3 Nylon Nut
M3尼龙螺母



.....2

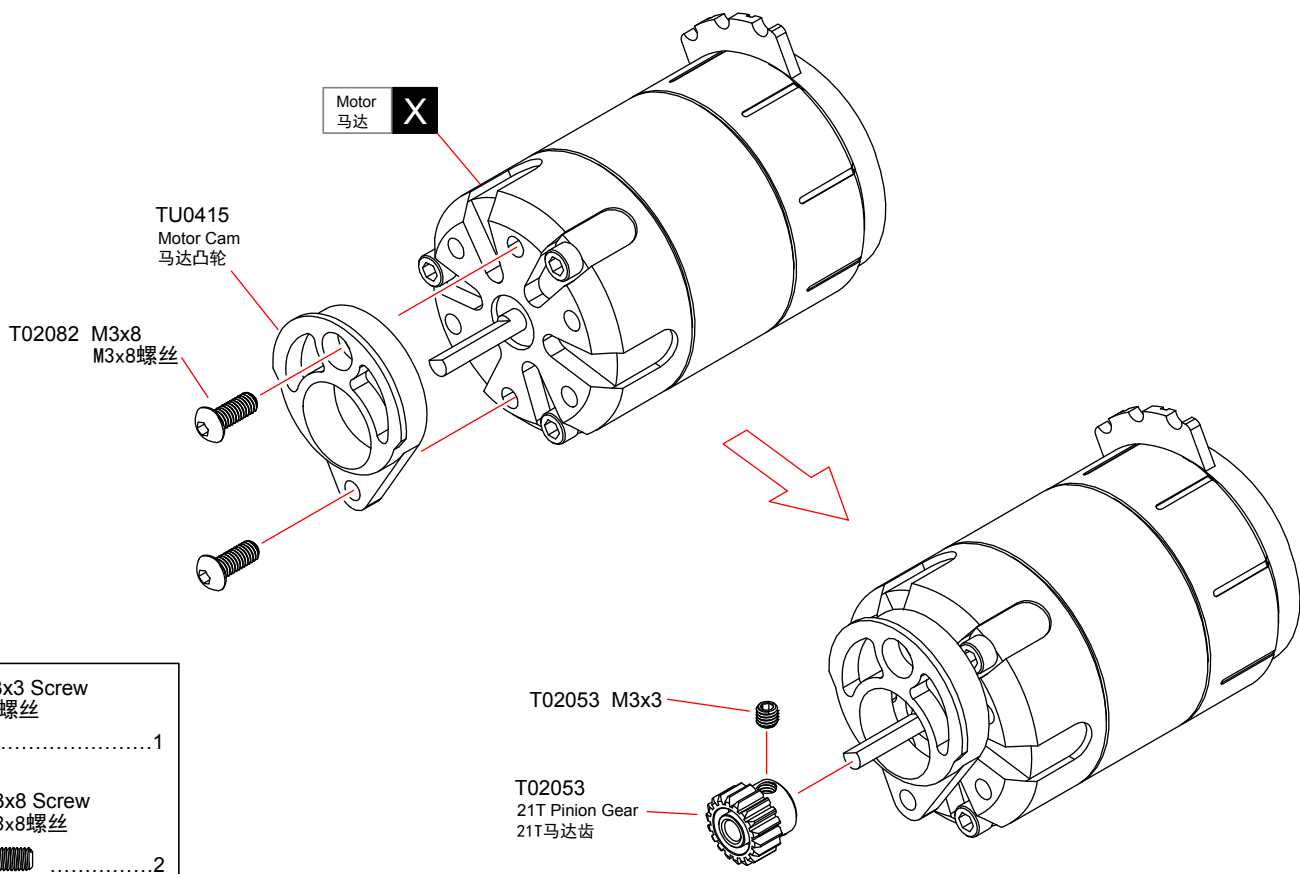
T02082 M3x12 Screw
M3x12螺丝



.....2

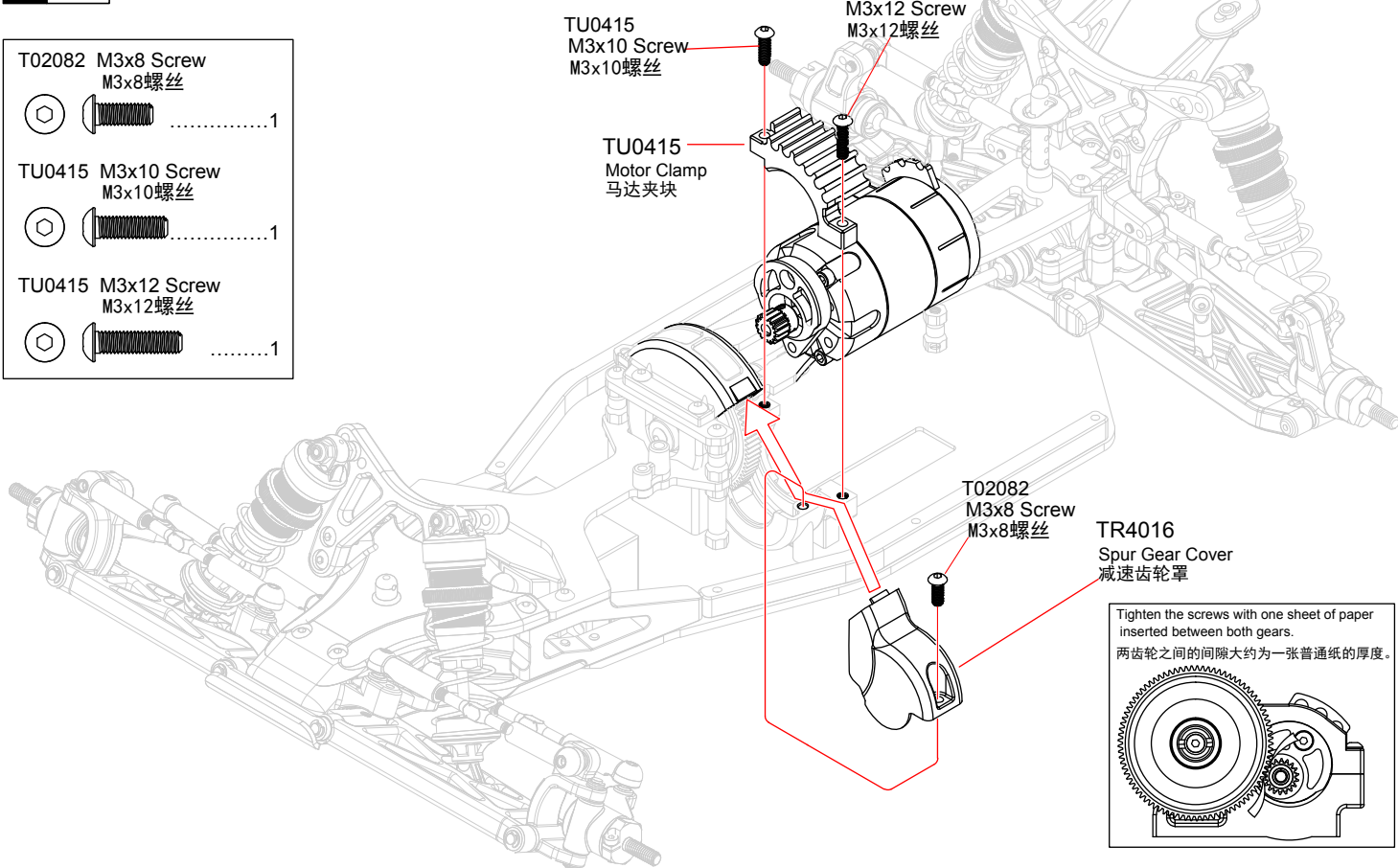
T02082
M3x12 Screw
M3x12螺丝

35 Motor
马达



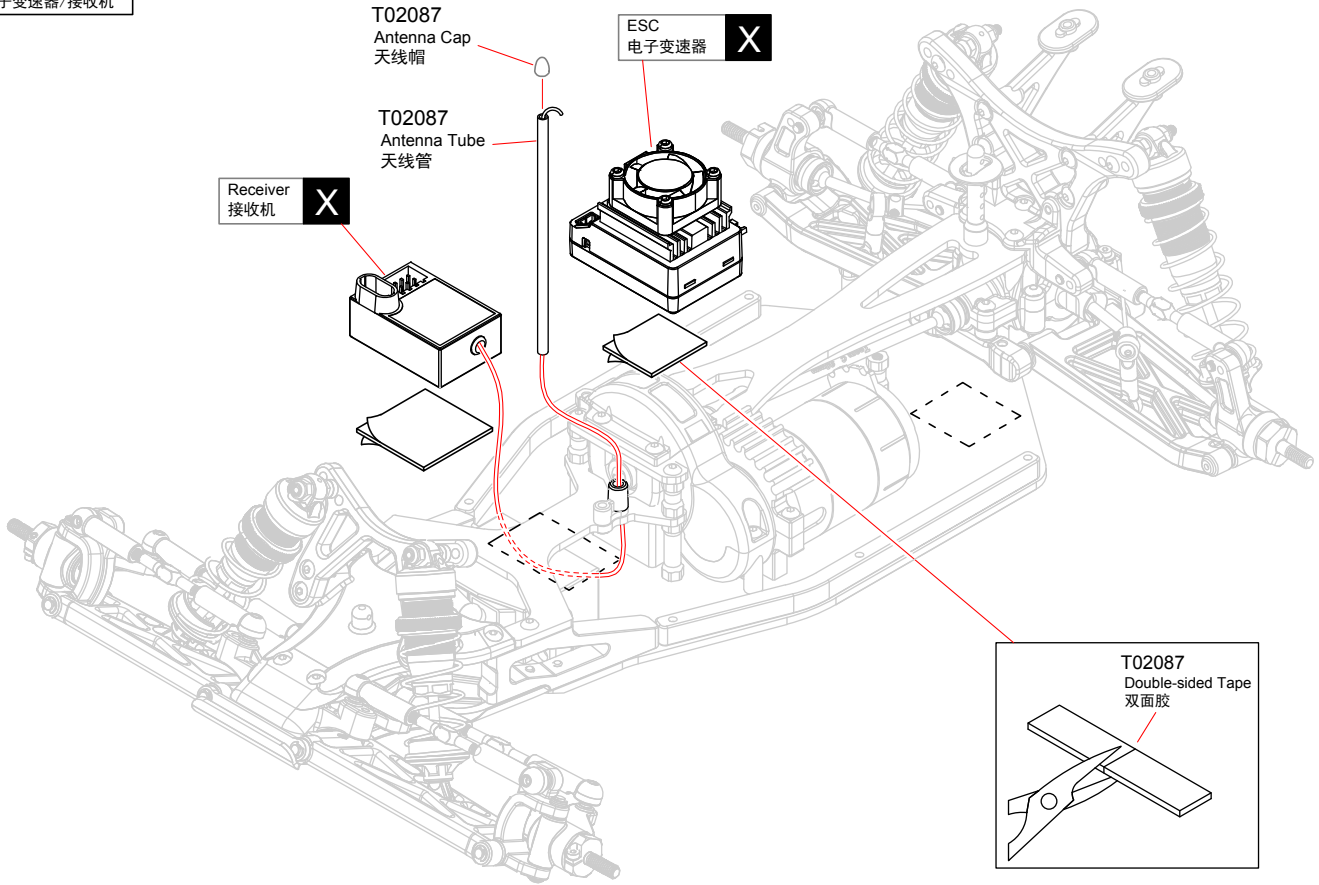
- T02053 M3x3 Screw
M3x3螺丝
- T02082 M3x8 Screw
M3x8螺丝

36 Motor
马达

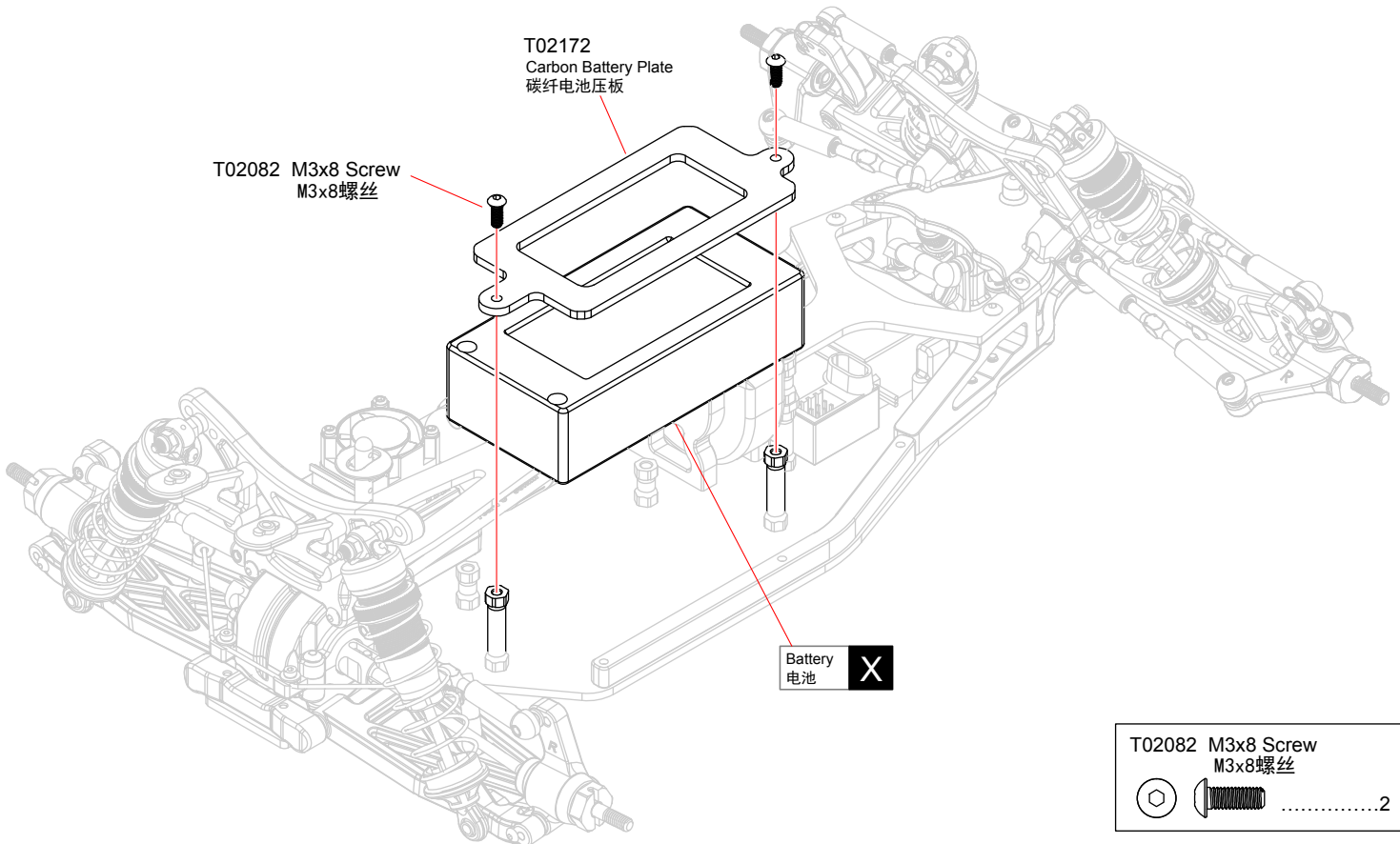


- T02082 M3x8 Screw
M3x8螺丝
- TU0415 M3x10 Screw
M3x10螺丝
- TU0415 M3x12 Screw
M3x12螺丝

37 ESC / Receiver
电子变速器/接收机



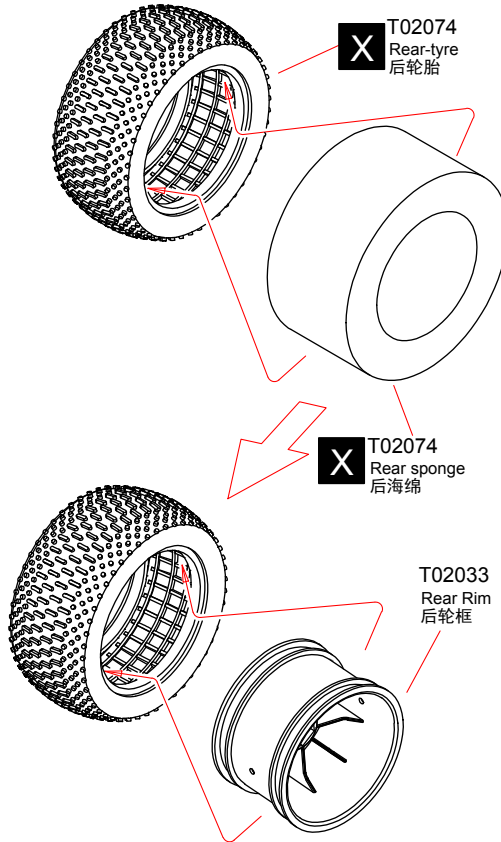
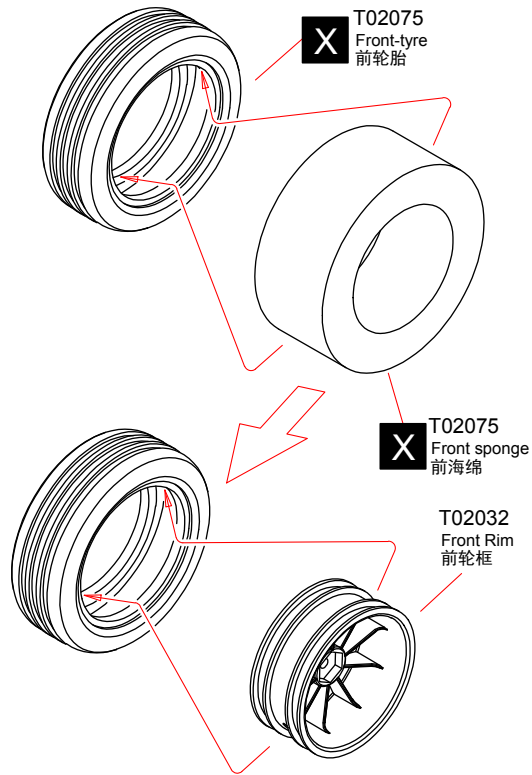
38 Battery
电池



X Must be purchased separately
需另购物品

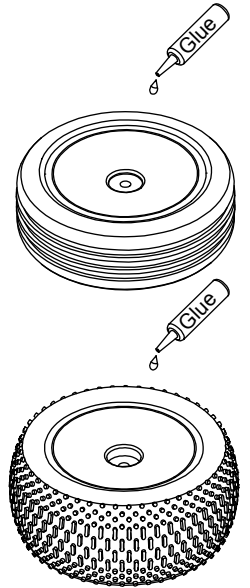
< Front > x2

< Rear > x2

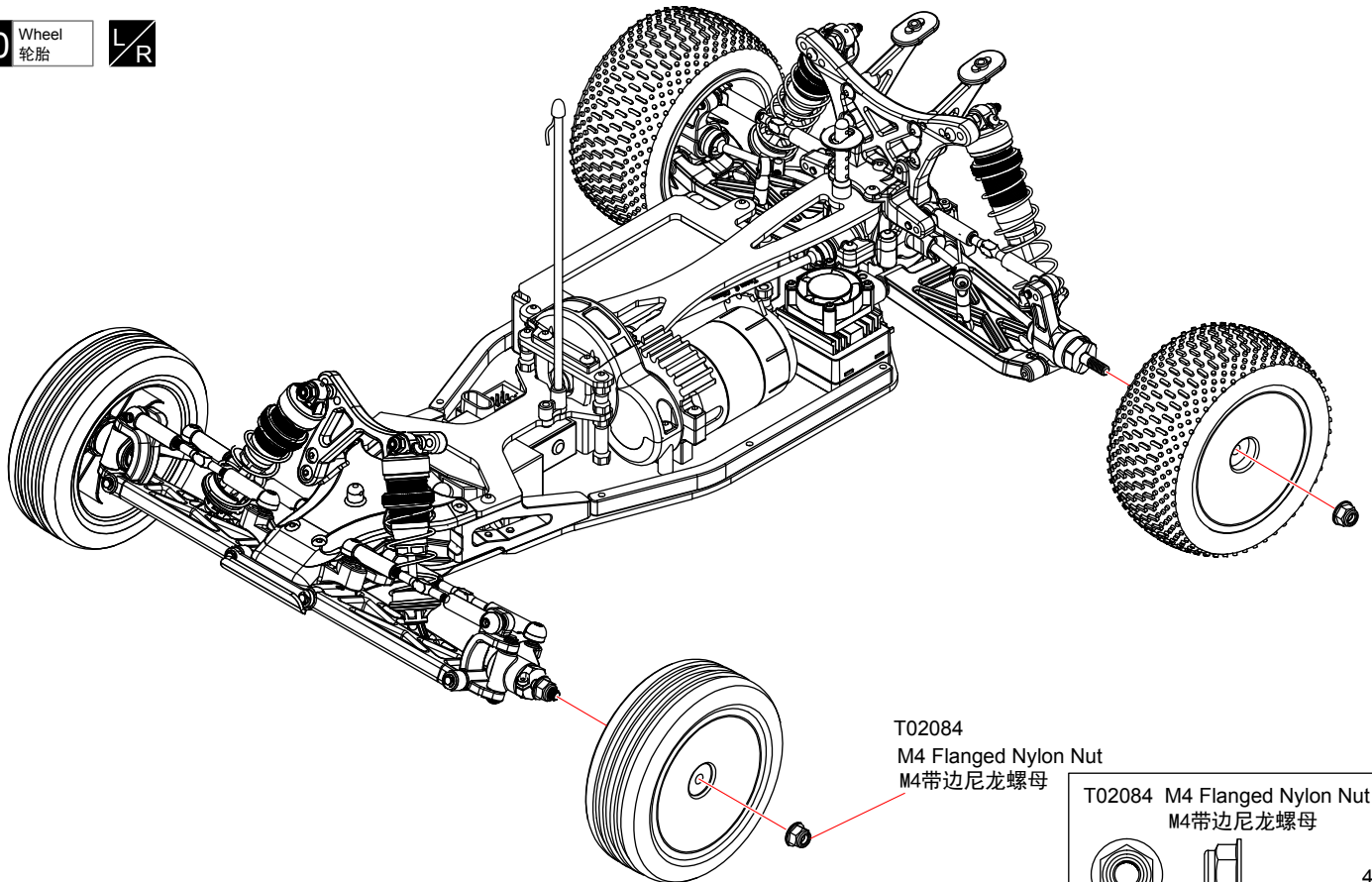


F/R x2

After fitting wheels to tyres, apply instant glue as shown
轮胎装好后如图打胶水

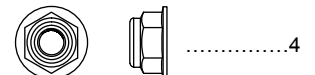


L/R



T02084
M4 Flanged Nylon Nut
M4带边尼龙螺母

T02084 M4 Flanged Nylon Nut
M4带边尼龙螺母

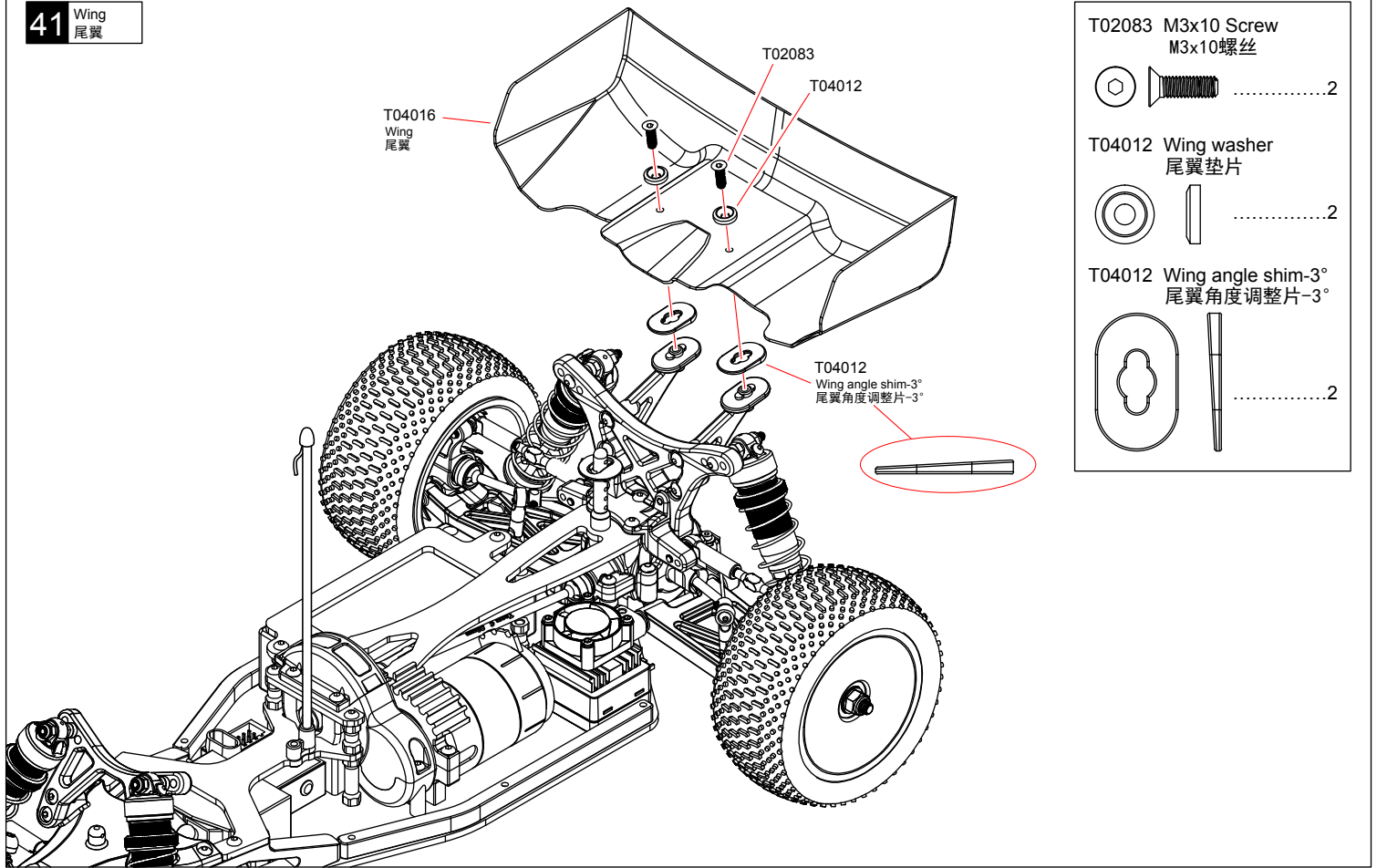


X Must be purchased separately
需另购物品

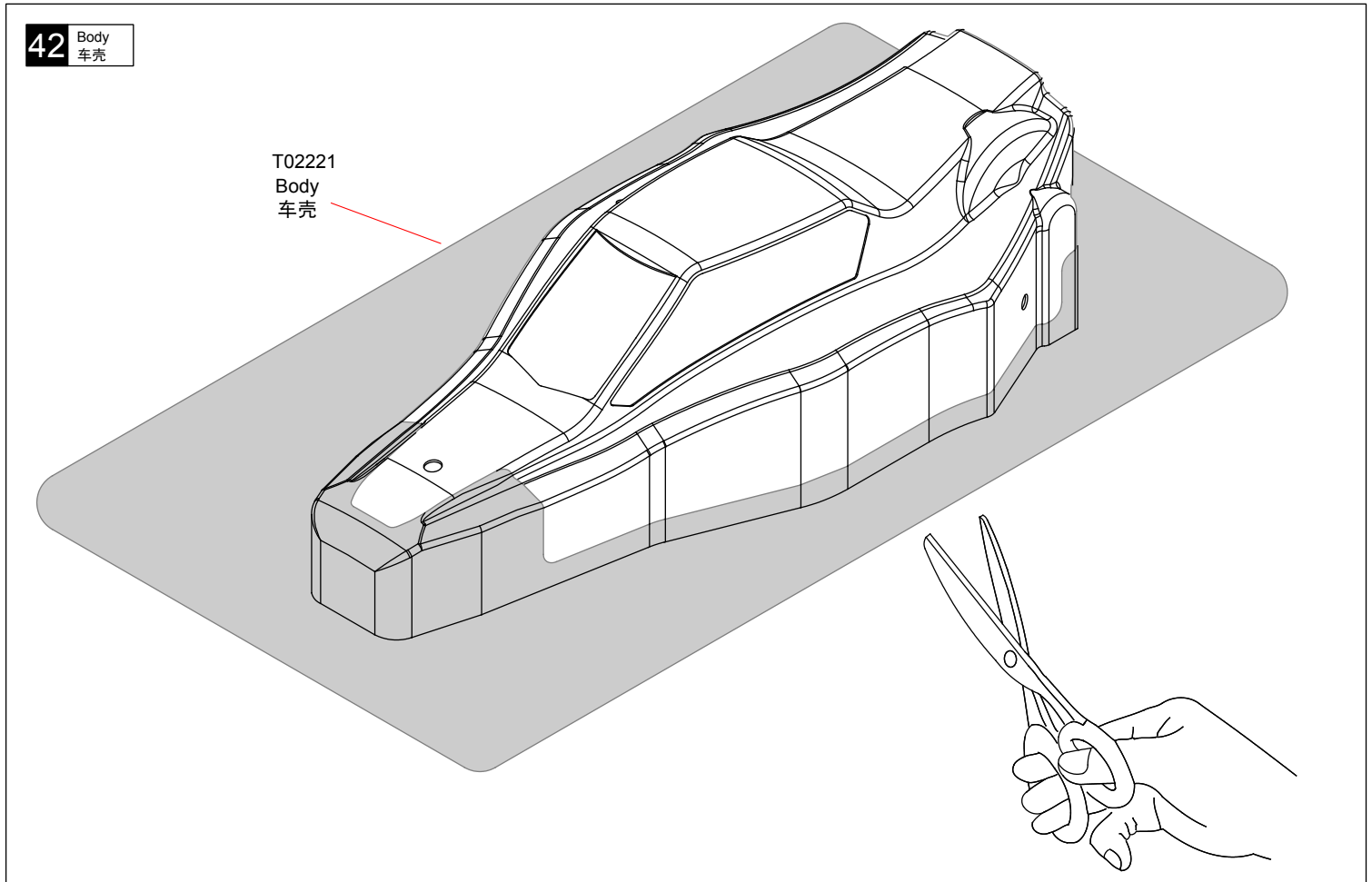
L/R Assemble both Left and Right
组装左和右

x2 Assemble as many times as specified
需组装数量

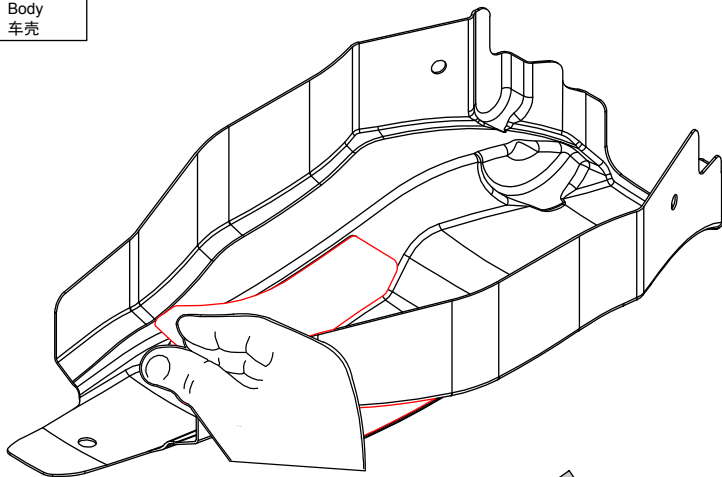
41 Wing
尾翼



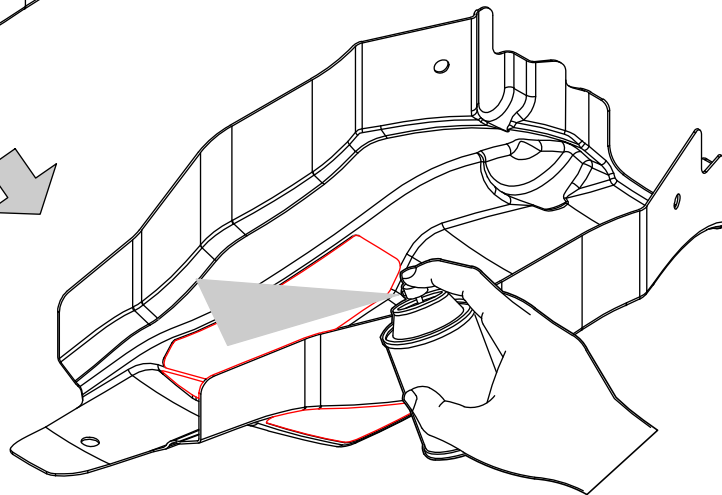
42 Body
车壳



43 Body
车壳

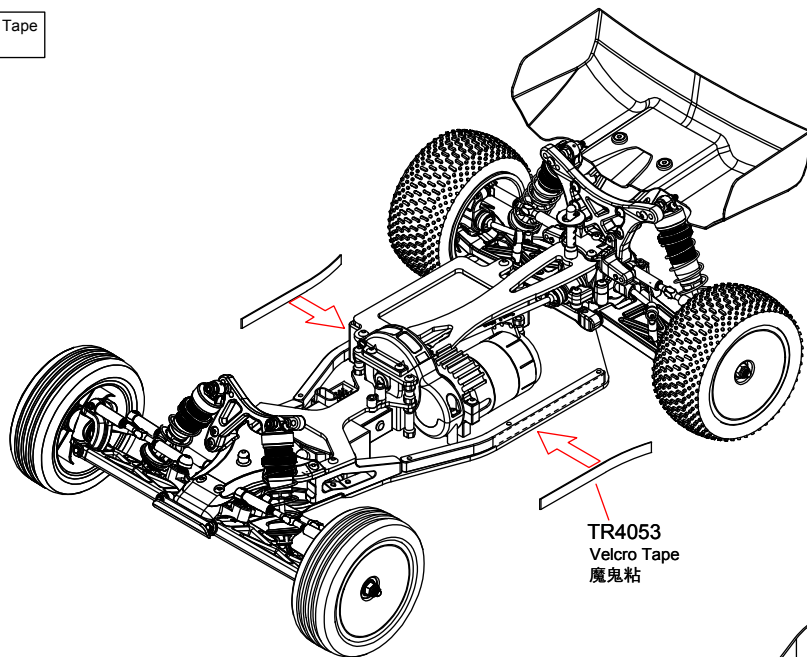


Mask the windows from the inside.
在车窗内臂贴上遮盖贴纸。



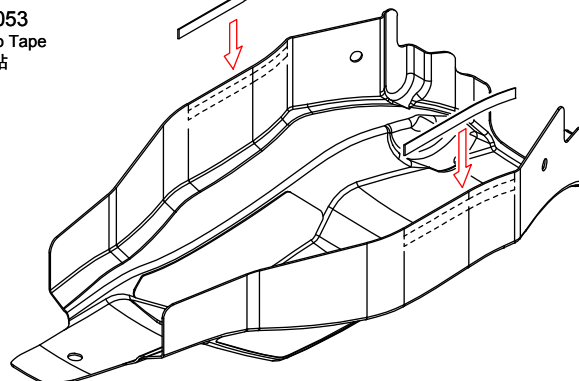
Paint the body shell from the inside
using spray colors.
在车壳内臂喷漆。

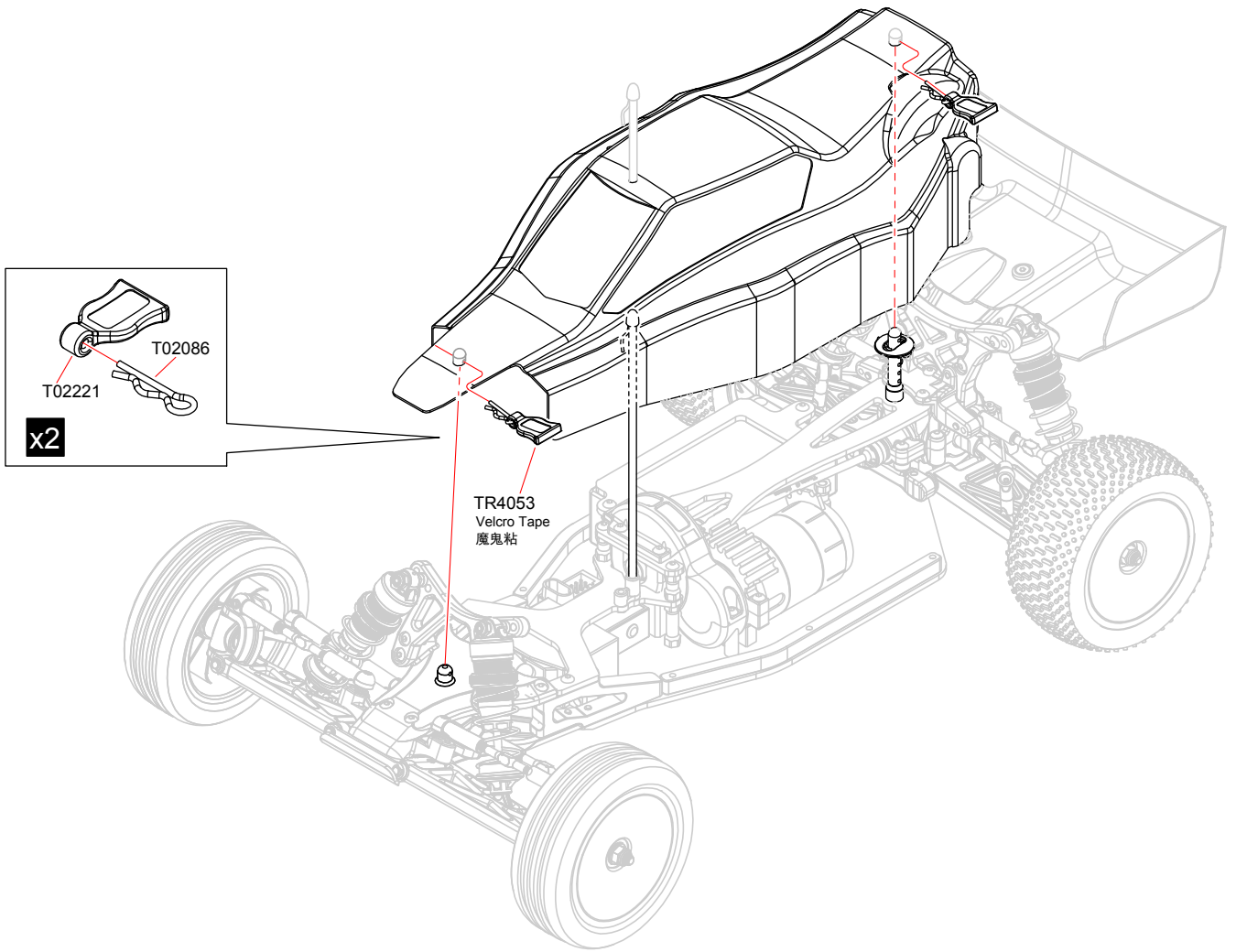
44 Body-Velcro Tape
车壳-魔鬼粘



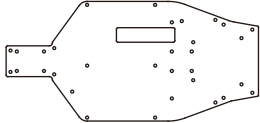

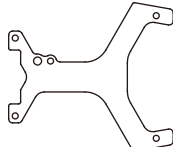
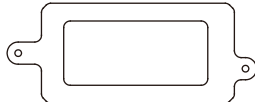
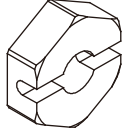
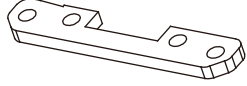
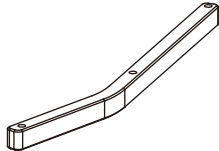
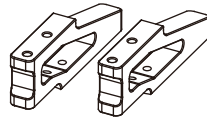
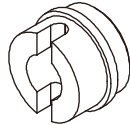






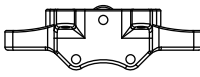
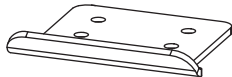
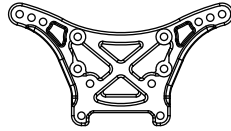

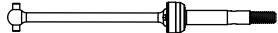
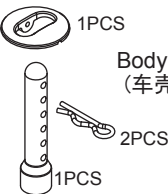


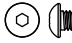
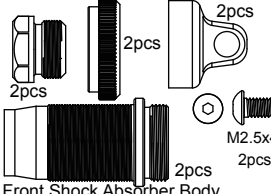
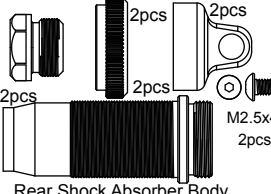
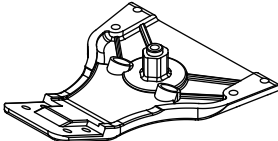
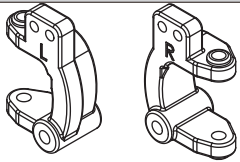
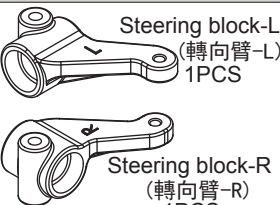
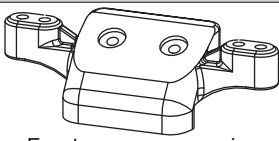
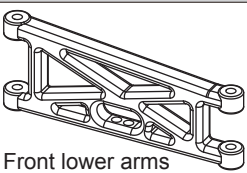
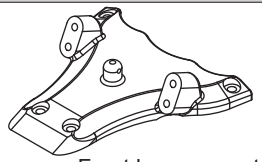
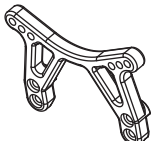

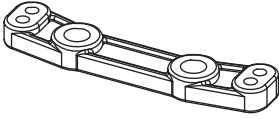

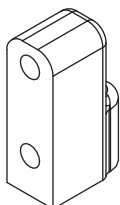
TR4053
Velcro Tape
魔鬼粘

TR4053
Velcro Tape
魔鬼粘

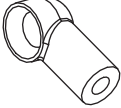







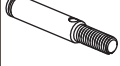


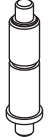


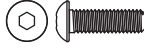


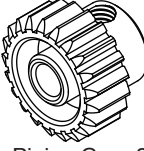


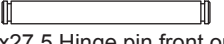

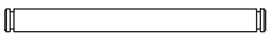
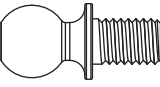
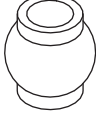

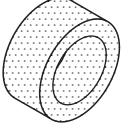

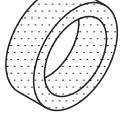

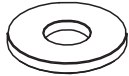









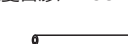
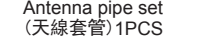








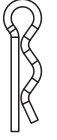

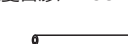
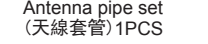

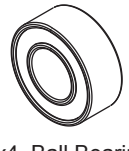
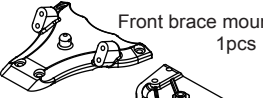
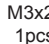

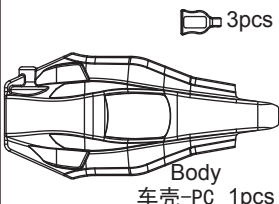
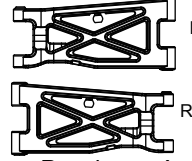


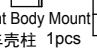


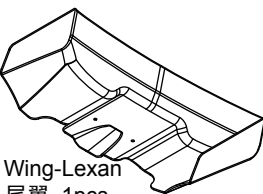
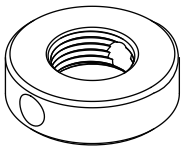
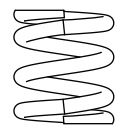




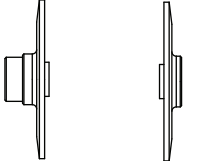

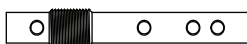

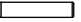


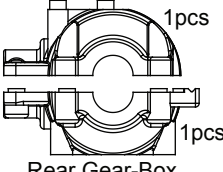
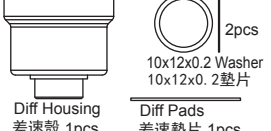
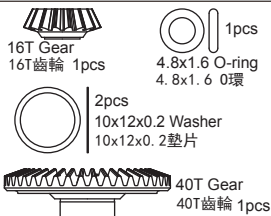

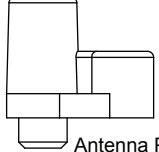

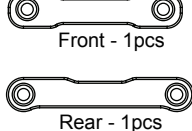
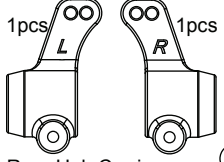
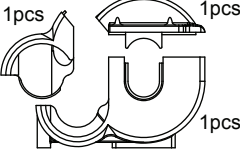
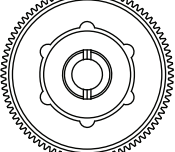


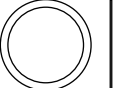
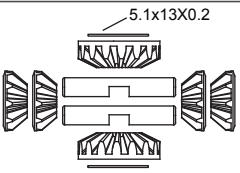
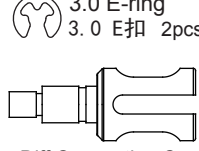

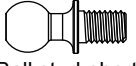
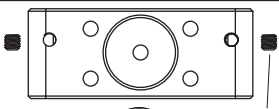
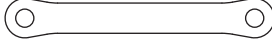
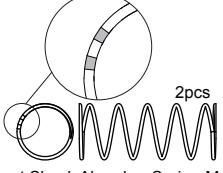
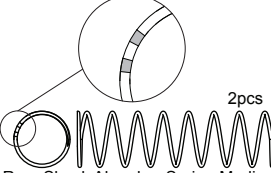





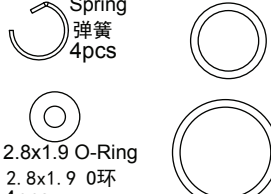
Parts list for TM2 off-road buggy - 1 TM2配件包-1

<p>T02169</p>  <p>Chassis 底盘 1pcs</p>	<p>T02170</p>  <p>Top Deck-R 二楼板-R 1pcs</p>	<p>T02171</p>  <p>Top Deck-F 二楼板-F 1pcs</p>	<p>T02172</p>  <p>Battery Plate 電池壓板 1pcs</p>	<p>T02173</p>  <p>Rear Hex Mount 後六角座 4pcs</p>
<p>T02174</p>  <p>Center Diff Top Deck 中差二楼板 1pcs</p>	<p>T02175</p>  <p>Reinforcing Bars 側邊補強條 2pcs</p>	<p>T02176</p>  <p>Front Chassis Mount 前底盤固定座 1pcs</p>	<p>T02177</p>  <p>Center Bearing Insert 中差培林座 1pcs</p>	<p>T02178</p>  <p>Battery Post 電池柱 2pcs</p>
<p>T02179</p>  <p>Center Diff Post-Long 中差柱-長 2pcs</p>	<p>T02180</p>  <p>Center Diff Post-Short 中差柱-短 2pcs</p>	<p>T02181</p>  <p>Battery Post -Short 電池檔柱 2pcs</p>	<p>T02182</p>  <p>Mid Connecting Hub-F 中接杯-前 1pcs</p>	<p>T02183</p>  <p>Rear Bearing Collar 后轮轴套 2pcs</p>
<p>T02184</p>  <p>Upper Suspension Arm Mount 後上擺臂座 1pcs</p>	<p>T02185</p>  <p>Front Bumper (前防撞板) 1PCS</p>	<p>T02186</p>  <p>Rear Shock Tower 後避震架 1pcs</p>	<p>T02187</p>  <p>5.8 Ball End 球头座 4pcs</p>	<p>T02188</p>  <p>63mm Rear CVD 63mm 後CVD 2pcs</p>
<p>T02189</p>  <p>Body Mount (車壳柱组) 1PCS 2PCS 1PCS</p>	<p>TU0266-7</p>  <p>Below Spring mount end-plastic 彈簧下座-尼龍 4pcs</p>  <p>Shock Absorber Top cover-plastic 避震器上蓋-尼龍 4pcs</p>  <p>M2.5x4 Screw M2.5x4螺絲 4pcs</p>	<p>TU0266-8</p>  <p>Front Shock Absorber Body 前避震器筒身 2pcs 2pcs 2pcs 2pcs 2pcs 2pcs M2.5x4 2pcs</p>	<p>TU0266-9</p>  <p>Rear Shock Absorber Body 后避震器筒身 2pcs 2pcs 2pcs 2pcs 2pcs 2pcs M2.5x4 2pcs</p>	<p>T02008</p>  <p>Front chassis plate (前底盤) 1PCS</p>
<p>T02011</p>  <p>C-type holder L (C型座-L) 1PCS C-type holder R (C型座-R) 1PCS</p>	<p>T02012</p>  <p>Steering block-L (轉向臂-L) 1PCS Steering block-R (轉向臂-R) 1PCS</p>	<p>T02015</p>  <p>Front upper suspension arm mount (前上擺臂座) 1PCS</p>	<p>T02016</p>  <p>Front lower arms (前下擺臂) 2PCS</p>	<p>T02019</p>  <p>Front brace mount (前支撐座) 1PCS</p>
<p>T02020</p>  <p>Front shock tower (前避震支架) 1PCS</p>	<p>T02023</p>  <p>Servo saver upper (緩沖臂上) 1PCS Servo saver lower (緩沖臂下) 1PCS Servo saver - L (緩沖臂-L) 1PCS</p>	<p>T02024</p>  <p>Steering Rack (緩沖連接片) 1PCS</p>	<p>T02027</p>  <p>Steering Servo horn-F (轉向伺服臂F) 1PCS Steering servo horn-H (轉向伺服臂H) 1PCS Steering Servo horn-S (轉向伺服臂S) 1PCS</p>	<p>T02028</p>  <p>Servo plate (伺服機座) 2PCS</p>

Parts list for TM2 off-road buggy - 2 TM2配件包-2

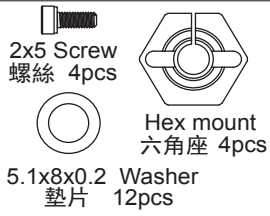
<p>T02030</p>  <p>4.8 Ball End - Short (球頭座-短) 2PCS</p>  <p>3x10 Screw (螺絲) 1PCS</p>	<p>T02032</p>  <p>Front rim (前輪框) 2PCS</p>	<p>T02033</p>  <p>Rear rim (後輪框) 2PCS</p>	<p>T02035</p>  <p>1.0 Servo spacer (伺服機座墊片) 2PCS</p>  <p>1.5 Servo spacer (伺服機座墊片) 2PCS</p>	<p>T02042</p>  <p>4.0 E-ring (E扣) 2PCS</p>  <p>2x9.8 Pin (鋼針) 2PCS</p>  <p>Front wheel axle (前輪軸) 2PCS</p>
<p>T02043OR</p>  <p>Buffer column-A (轉向緩沖器 支柱A) 1PCS</p>  <p>Buffer Spring (緩沖彈簧) 1PCS</p>  <p>Buffer column-B (轉向緩沖器 支柱B) 1PCS</p>  <p>Buffer Nut (緩沖調整螺帽) 1PCS</p>  <p>4.0 E-ring (E扣) 1PCS</p>	<p>T02044</p>  <p>3x10 Screw (螺絲) 2PCS</p>  <p>Block Carrier (緩沖鋼套) 2PCS</p>  <p>3x7x0.8 Washer (墊片) 2PCS</p>	<p>T02053</p>  <p>Pinion Gear 21T (馬達齒) 1PCS</p>  <p>3x3 Screw (螺絲) 1PCS</p>	<p>T02054</p>  <p>2.3 E-ring (E扣) 4PCS</p>  <p>3x27.5 Hinge pin front outer (前擺臂銷-外) 2PCS</p>	
<p>T02056</p>  <p>2.3 E-ring (E扣) 4PCS</p>  <p>3x34.5 Hinge pin front inner (前擺臂銷-內) 2PCS</p>	<p>T02061</p>  <p>Ball stud -silver (球頭-銀色) 2PCS</p>	<p>T02062</p>  <p>5.8x6 Ball stud (球頭) 4PCS</p>	<p>T02074</p>  <p>Rear-tyre (後輪胎) 2PCS</p>  <p>Rear-Sponge (後輪胎海綿) 2PCS</p>	<p>T02075</p>  <p>Front-tyre (前輪胎) 2PCS</p>  <p>Front-Sponge (前輪胎海綿) 2PCS</p>
<p>T02080</p>  <p>3x6x2.5 Ball Bearing (軸承) 4PCS</p>	<p>T02081</p>  <p>3x7x0.8 Washer (墊片) 10PCS</p>	<p>T02082</p>  <p>3x5 Screw (螺絲) 8PCS</p>  <p>3x8 Screw (螺絲) 8PCS</p>  <p>3x22 Screw (螺絲) 8PCS</p>  <p>3x25 Screw (螺絲) 8PCS</p>	 <p>3x15 Screw (螺絲) 8PCS</p>  <p>3x12 Screw (螺絲) 8PCS</p>  <p>3x10 Screw (螺絲) 8PCS</p>  <p>2.6x8 Screw (螺絲) 8PCS</p>	<p>T02087</p>  <p>Antenna pipe set cover (天線管帽) 1PCS</p>  <p>Double-sided tape (雙面膠) 1PCS</p>  <p>Antenna pipe set (天線套管) 1PCS</p>
<p>T02083</p>  <p>3x8 Screw (螺絲) 8PCS</p>  <p>3x10 Screw (螺絲) 8PCS</p>  <p>3x15 Screw (螺絲) 8PCS</p>  <p>3x8 Screw (螺絲) 8PCS</p>	<p>T02084</p>  <p>M4 Flanged Nylon Nut (帶邊尼龍螺母) 6PCS</p>  <p>M3 Nylon Nut (尼龍螺母) 6PCS</p>	<p>T02085</p>  <p>2.3 E-ring (E扣) 8PCS</p>  <p>4 E-ring (E扣) 8PCS</p>	<p>T02086</p>  <p>Small clip 車身固定夾 (小) 8PCS</p>	<p>T02087</p>  <p>Antenna pipe set cover (天線管帽) 1PCS</p>  <p>Double-sided tape (雙面膠) 1PCS</p>  <p>Antenna pipe set (天線套管) 1PCS</p>
<p>T02099</p>  <p>10x15x4 Ball Bearing (軸承) 6PCS</p>	<p>T02100</p>  <p>5x10x4 Ball Bearing (軸承) 6PCS</p>	<p>T02147</p>  <p>Front brace mount 1pcs</p>  <p>M3x25 1pcs</p>  <p>Front chassis plate 1pcs</p>	<p>T02221</p>  <p>Body 車壳-PC 1pcs</p>	<p>T04008</p>  <p>Rear Lower Arm 后下摆臂</p> <p>Left-1pcs</p> <p>Right-1pcs</p>
<p>T04012</p>  <p>Wing Screw Washer 尾翼螺丝垫片 2pcs</p>  <p>Wing Angie Shim 尾翼调整片 2pcs</p>  <p>Front Body Mount 前车壳柱 1pcs</p>  <p>Wing Brack 尾翼架 2pcs</p>	<p>T04014</p>  <p>4.8mm Ball End - Long 4.8mm球头座-长 6pcs</p>	<p>T04016</p>  <p>Wing-Lexan 尾翼 1pcs</p>	<p>T04018</p>  <p>Slipper Nut 扭限螺母 1pcs</p>	<p>T04019</p>  <p>Slipper Spring 扭限弹簧 1pcs</p>

Parts list for TM2 off-road buggy - 3 TM2配件包-3

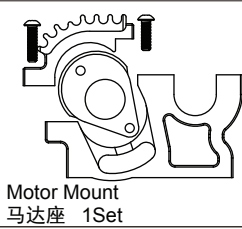
<p>T04020</p>  <p>Slipper Hub-F 扭限座-前 1pcs</p> <p>Slipper Hub-R 扭限座-后 1pcs</p>	<p>T04022</p>  <p>Spring Buckle 弹簧扣 1pcs</p>	<p>T04023</p>  <p>Center Shaft 中轴 1pcs</p>	<p>T04024</p>  <p>3x40 Turnbuckle 3x40拉杆 2pcs</p> <p>3x45 Turnbuckle 3x45拉杆 4pcs</p>	<p>T04032</p>  <p>2x9.8 Pin 2x9.8钢针 6pcs</p>
<p>T04035</p>  <p>3x51 Arm Pin 3x51摆臂轴 2pcs</p>	<p>T04036</p>  <p>Slipper Pad 扭限摩擦片 2pcs</p>	<p>T04039</p>  <p>Rear Gear-Box 后齿轮箱 1pcs</p>	<p>T04040</p>  <p>4.8x1.6 O-ring 4.8x1.6 O环 1pcs</p> <p>M2.5x6 Screw M2.5x6螺丝 4pcs</p> <p>Diff Housing 差速殼 1pcs</p> <p>Diff Pads 差速墊片 1pcs</p> <p>10x12x0.2 Washer 10x12x0.2墊片 2pcs</p>	<p>T04041</p>  <p>16T Gear 16T齒輪 1pcs</p> <p>4.8x1.6 O-ring 4.8x1.6 O環 1pcs</p> <p>10x12x0.2 Washer 10x12x0.2墊片 2pcs</p> <p>40T Gear 40T齒輪 1pcs</p>
<p>T04046</p>  <p>M3x8 Screw M3x8螺丝 1pcs</p> <p>TC04/TR04 88mm Center Front CVD TC04/TR04 88mm中前CVD 1pcs</p>	<p>T04055</p>  <p>Antenna Pipe Mount 天线管座 1pcs</p>	<p>T04059</p>  <p>1.6x11 Spring Pin 1.6x11弹簧销 4pcs</p>	<p>TR4010</p>  <p>Front - 1pcs</p> <p>Rear - 1pcs</p> <p>Rear Arm Mount 后摆臂固定座</p>	<p>TR4011</p>  <p>1pcs L 1pcs R</p> <p>Rear Hub Carriers 后轮座 4pcs</p>
<p>TR4016</p>  <p>Center Gear-box 中齿轮箱 1pcs</p>	<p>TR4027</p>  <p>Supr Gear-85T 减速齿-85T 1pcs</p>	<p>TR4046</p>  <p>2.5x30 Arm Pin 2.5x30摆臂轴 2pcs</p>	<p>TR4053</p>  <p>Velcro Tape 魔鬼粘 1 Set</p>	<p>TR4057</p>  <p>10x12x0.2 Washer 10x12x0.2墊片 8pcs</p>
<p>TS4039</p>  <p>5.1x13X0.2</p> <p>Gear Set 齒輪組 1pcs</p>	<p>TS4040</p>  <p>3.0 E-ring 3.0 E扣 2pcs</p> <p>Diff Connecting Cup 差速接杯 2pcs</p>	<p>TS4042</p>  <p>Ball stud-long 球頭-長 6pcs</p>	<p>TS4043</p>  <p>Ball stud-short 球頭-短 6pcs</p>	<p>Tu0222OR</p>  <p>M3x3</p> <p>Front arm mount 前摆臂固定座 1Set</p>
<p>Tu0226OR</p>  <p>Front hinge pin brace 前摆臂固定片 1pcs</p>	<p>TU0250-10F</p>  <p>2pcs</p> <p>Front Shock Absorber Spring-Medium 前避震器弹簧-中</p>	<p>TU0250-10R</p>  <p>2pcs</p> <p>Rear Shock Absorber Spring-Medium 后避震器弹簧-中</p>	<p>TU0250-1</p>  <p>2.3 E-ring 2.3 E扣 4pcs</p> <p>Front Shock Absorber Shaft 前避震器轴 2pcs</p>	<p>TU0250-2</p>  <p>2.3 E-ring 2.3 E扣 4pcs</p> <p>Rear Shock Absorber Shaft 后避震器轴 2pcs</p>
<p>TU0250-6</p>  <p>3.1x5.5x2.0 Aluminium Washer 3.1x5.5x2.0铝垫片 4pcs</p> <p>Shock cap ball 避震盖球头 4pcs</p>	<p>TU0250-7</p>  <p>Front Piston-Black 前活塞-黑色 2pcs</p> <p>Rear Piston-White 后活塞-白色 2pcs</p>	<p>TU0250-8</p>  <p>1mm Washer-White 1mm压垫-白色 4pcs</p> <p>1mm Washer-Black 1mm压垫-黑色 4pcs</p> <p>2.5mm Washer-White 2.5mm压垫-白色 4pcs</p>	<p>TU0250-8</p>  <p>Spring 弹簧 4pcs</p> <p>2.8x1.9 O-Ring 2.8x1.9 O环 4pcs</p> <p>9x1 O-Ring 9x1 O环 4pcs</p> <p>12x1 O-Ring 12x1 O环 4pcs</p> <p>14x1.5 O-Ring 14x1.5 O环 4pcs</p>	

Parts list for TM2 off-road buggy - 4 TM2配件包-4

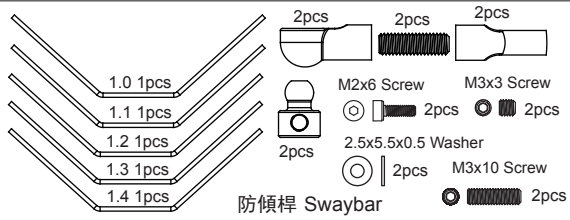
TU0254



TU0415OR



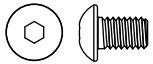
TU0432



86000



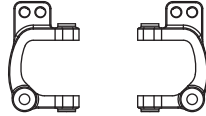
T02191



H312

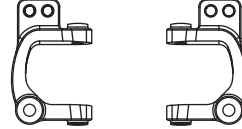


Tu0219



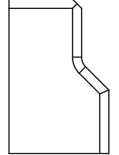
OP

Tu0220



OP

Tu0224



OP

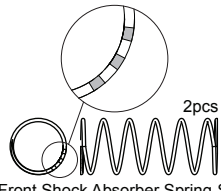
TU0250-5

OP



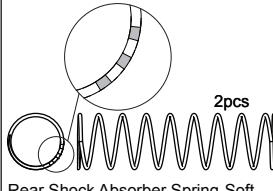
TU0262-F

OP



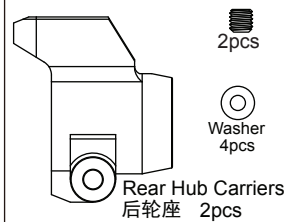
TU0262-R

OP



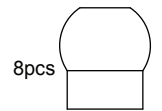
TU0422

OP



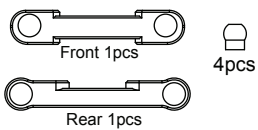
TU0423

OP



TU0418

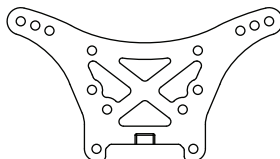
OP



Rear Arm Mount
后摆臂固定座

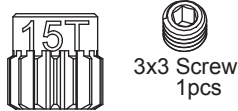
TU0429

OP



H475

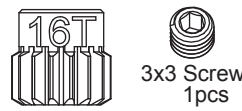
OP



Aluminium Motor Gear - 15T
鋁合金馬達齒 - 15T 1pc

H476

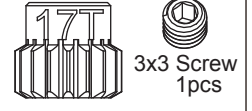
OP



Aluminium Motor Gear - 16T
鋁合金馬達齒 - 16T 1pc

H477

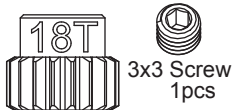
OP



Aluminium Motor Gear - 17T
鋁合金馬達齒 - 17T 1pc

H478

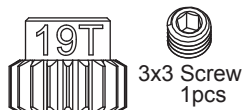
OP



Aluminium Motor Gear - 18T
鋁合金馬達齒 - 18T 1pc

H479

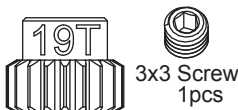
OP



Aluminium Motor Gear - 19T
鋁合金馬達齒 - 19T 1pc

H479

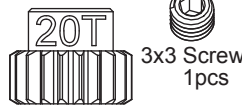
OP



Aluminium Motor Gear - 19T
鋁合金馬達齒 - 19T 1pc

H480

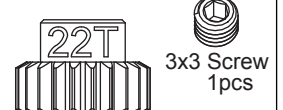
OP



Aluminium Motor Gear - 20T
鋁合金馬達齒 - 20T 1pc

H482

OP



Aluminium Motor Gear - 22T
鋁合金馬達齒 - 22T 1pc

TM2

SETUP SHEET for the TeamC TM2

Driver _____

Track / City _____

Event _____ Date ____ / ____ / ____

Conditions

- | | | | | |
|--|---------------------------------|------------------------------------|---------------------------------------|---------------------------------------|
| <input type="checkbox"/> High traction | <input type="checkbox"/> Smooth | <input type="checkbox"/> Bumpy | <input type="checkbox"/> Low traction | <input type="checkbox"/> Med traction |
| <input type="checkbox"/> Clay | <input type="checkbox"/> Sandy | <input type="checkbox"/> Soft dirt | <input type="checkbox"/> Grass | <input type="checkbox"/> Hard soil |
| | <input type="checkbox"/> Wet | <input type="checkbox"/> Dry | <input type="checkbox"/> Dusty | <input type="checkbox"/> Other |

Front Suspension

Shock Mounting&Camber link

Toe-in (+)/Out (-) _____ °
 Bump Steep Spacer _____

Caster
 25°
 30°

Washers _____ mm

Camber _____ °

Washers _____ mm

Ride height _____

Front Shocks

Spring(color)
 Black

Oil _____ wt
 Piston # _____

Rear Suspension

Shock Mounting&Camber link

Anti-roll bar: ■ 1.3 mm

Camber -1.5 _____ °

Wheelbase
 Long
 Medium
 Short

Ride height _____ 21 _____

Rear Shocks

Spring(color)
 Black

Oil _____ wt
 Piston # _____

Diff

Brand _____
 Oil wt _____

Front Tires&Wheels

Front Tires _____
 Inserts _____ Wheels _____

Front Tires&Wheels

Front Tires _____
 Inserts _____ Wheels _____

Batteries

Servo _____
 Esc _____
 Batteries _____

Motor

Motor _____
 Pinion/Spur _____ / _____

Other

Wing _____
 Wing Angle 4° 10°

Comments

Notes _____

Team
Team
www.teamcracing.net