



# TM4

## *Instruction manual*

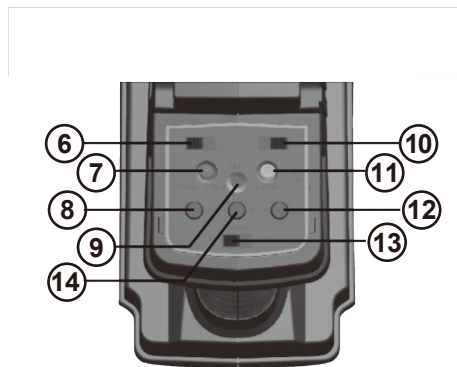
***1:10 SCALE RADIO CONTROLLED ELECTRIC  
POWERED 4WD RACING BUGGY***

### **Dimensions 尺寸:**

Length 長度.....	400mm
Width 寬度.....	250mm
Height 高度.....	145mm

# Transmitter Preparation

## 調整遙控器



**GLG20**  
**2.4GHz**

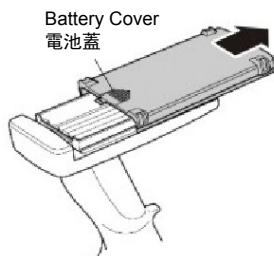


- 1 Control Panel 控制面板
- 2 Steering Wheel 轉向輪
- 3 Throttle Trigger 油門板扣
- 4 Battery Compartment 電池盒
- 5 Charging Jack 充電接口
- 6 Sterring Servo Reverse 轉向正逆轉開關
- 7 Power LED 電源指示燈
- 8 Steering Trim 轉向調節
- 9 Bind Button 設定按鈕
- 10 Throttle Servo Reverse 油門正逆轉開關
- 11 Battery Voltage 電池電壓
- 12 Steering Dual Rate 轉向大小微調
- 13 Power Switch 電源開關
- 14 Throttle Trim 油門微調

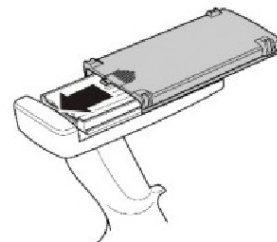
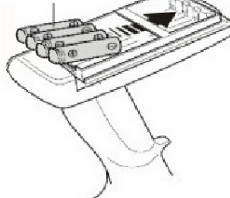
### Transmitter Battery Installation 遙控器電池安裝

Open battery cover at the bottom of transmitter.  
Install batteries. Follow the direction of batteries  
designated in the inside of battery box.

在遙控器的底部打開電池蓋子, 安裝電池。  
跟隨電池的指示在電池盒裡面指定。

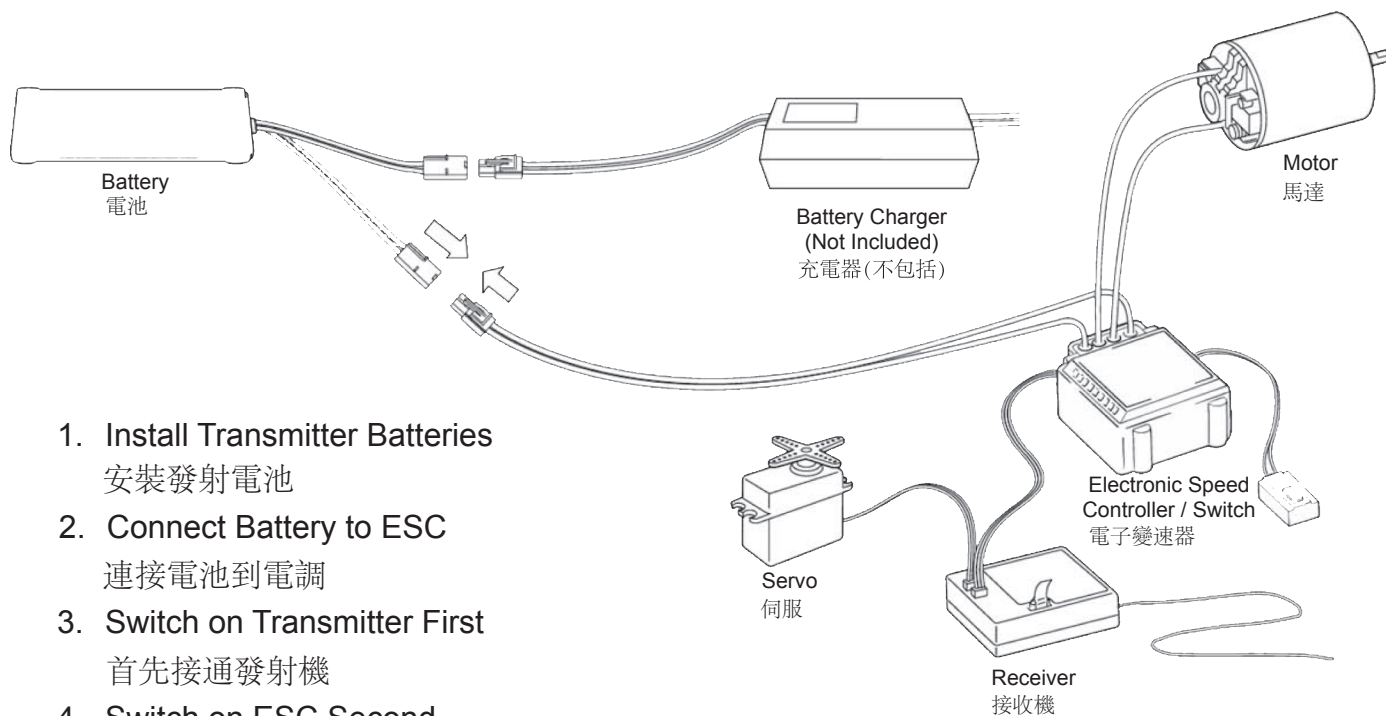


4X AA Alkaling Batteries  
AA 碱性電池



# Transmitter Preparation

## 調整遙控器



1. Install Transmitter Batteries  
安裝發射電池
2. Connect Battery to ESC  
連接電池到電調
3. Switch on Transmitter First  
首先接通發射機
4. Switch on ESC Second  
其次接通電調

Note: When done driving Turn Off the ESC and THEN Transmitter

注意: 當停止駕駛首先要關掉電調  
其次再關掉發射機

## Tools required 組裝需要的工具

● Needle Nose Pliers  
尖嘴鉗



● Awl  
錐



● Grease  
潤滑油



● Screw Cement  
螺絲膠水



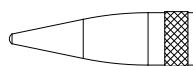
● **H162**  
Instant Glue  
瞬間膠水



● Differential Grease  
差速油



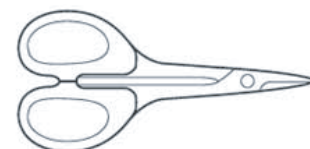
● **H154**  
Body Reamer  
車殼絞刀



● Wire Cutters  
鋼絲鉗



● **H096**  
ROUND CUTTER  
剪刀



● Hex Wrench  
六角扳手



● Hex Wrench  
十字套筒



No need to pre-drill precise holes  
(1mm to 15mm) can be drilled

可以對預鑽的孔準確地鑽1mm-15mm

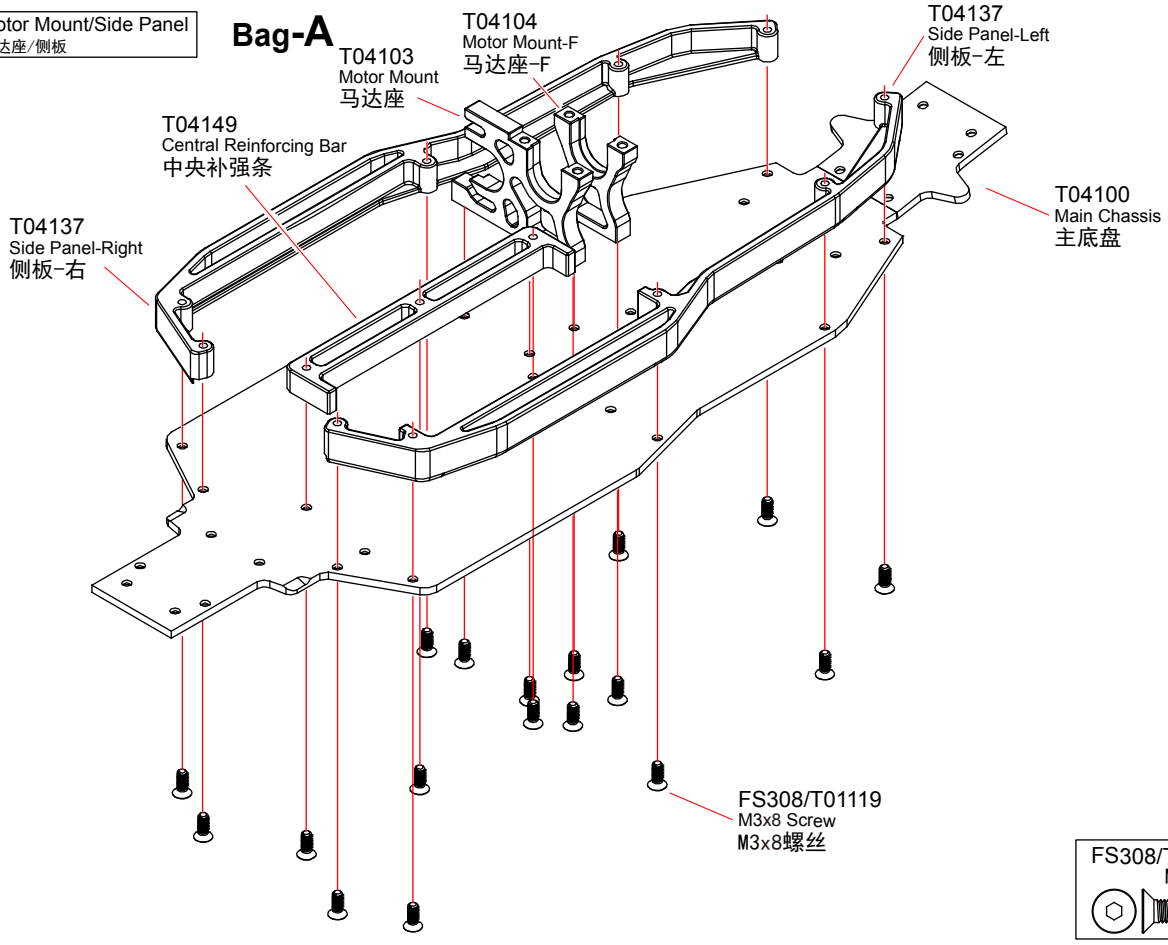
● Sharp Hobby knife  
美工刀




For trimming bodies!  
用于修剪車殼!

**1** Motor Mount/Side Panel  
马达座/侧板

**Bag-A**

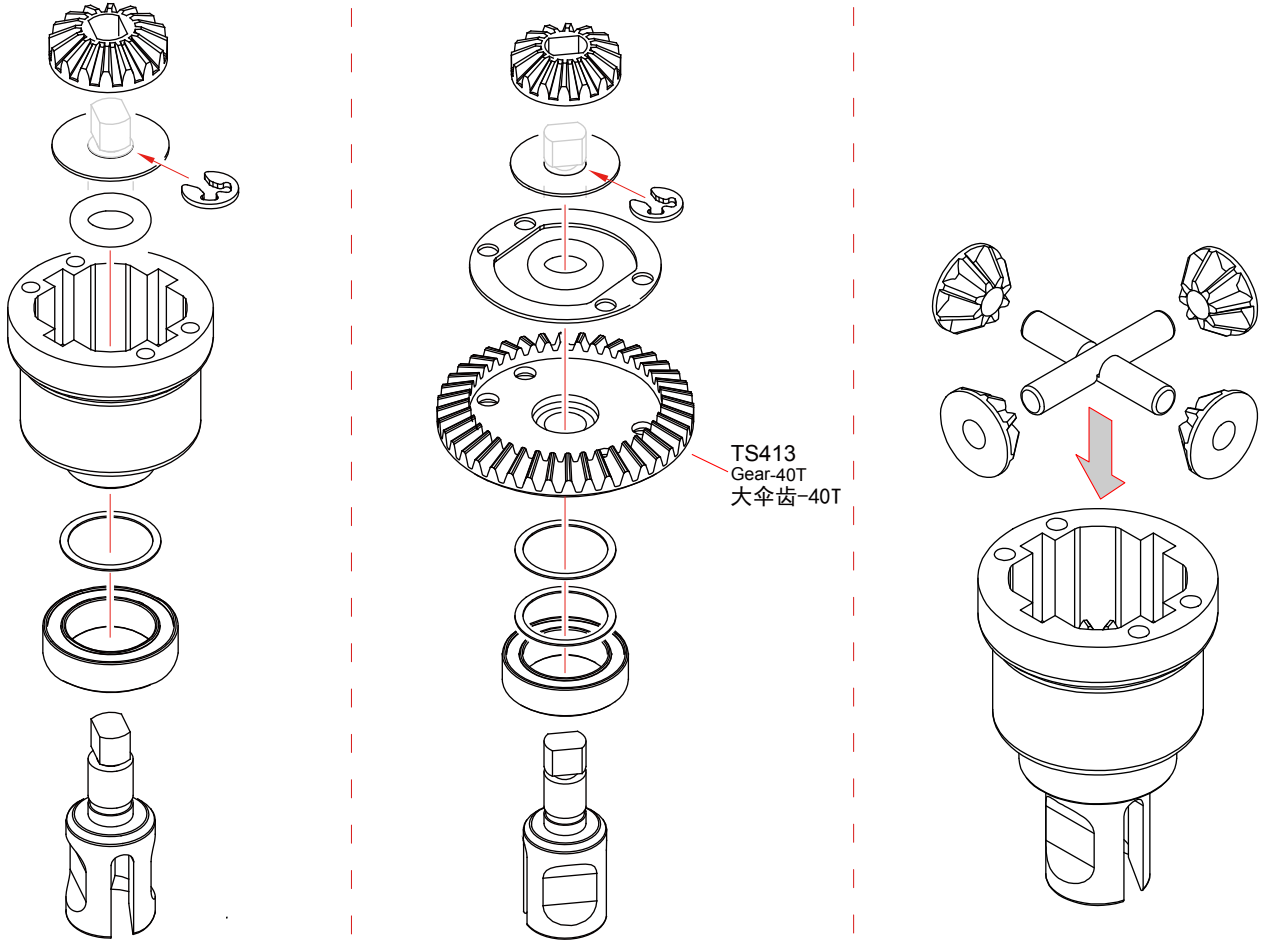


FS308/T01119 M3x8 Screw  
M3x8螺丝

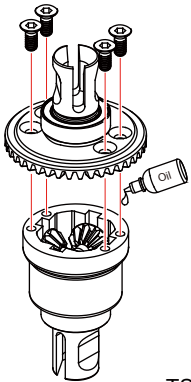


.....18

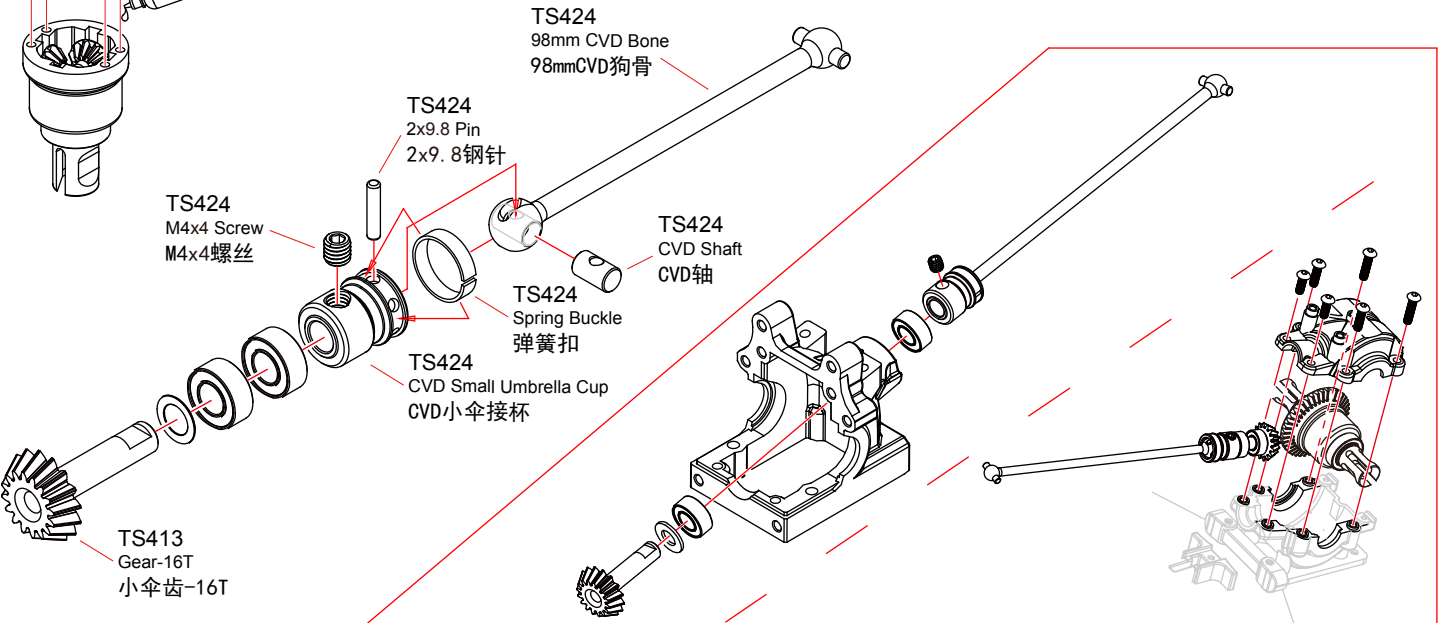
**2** Diff  
差速器



**3** Diff/Mid CVD  
差速器/中CVD

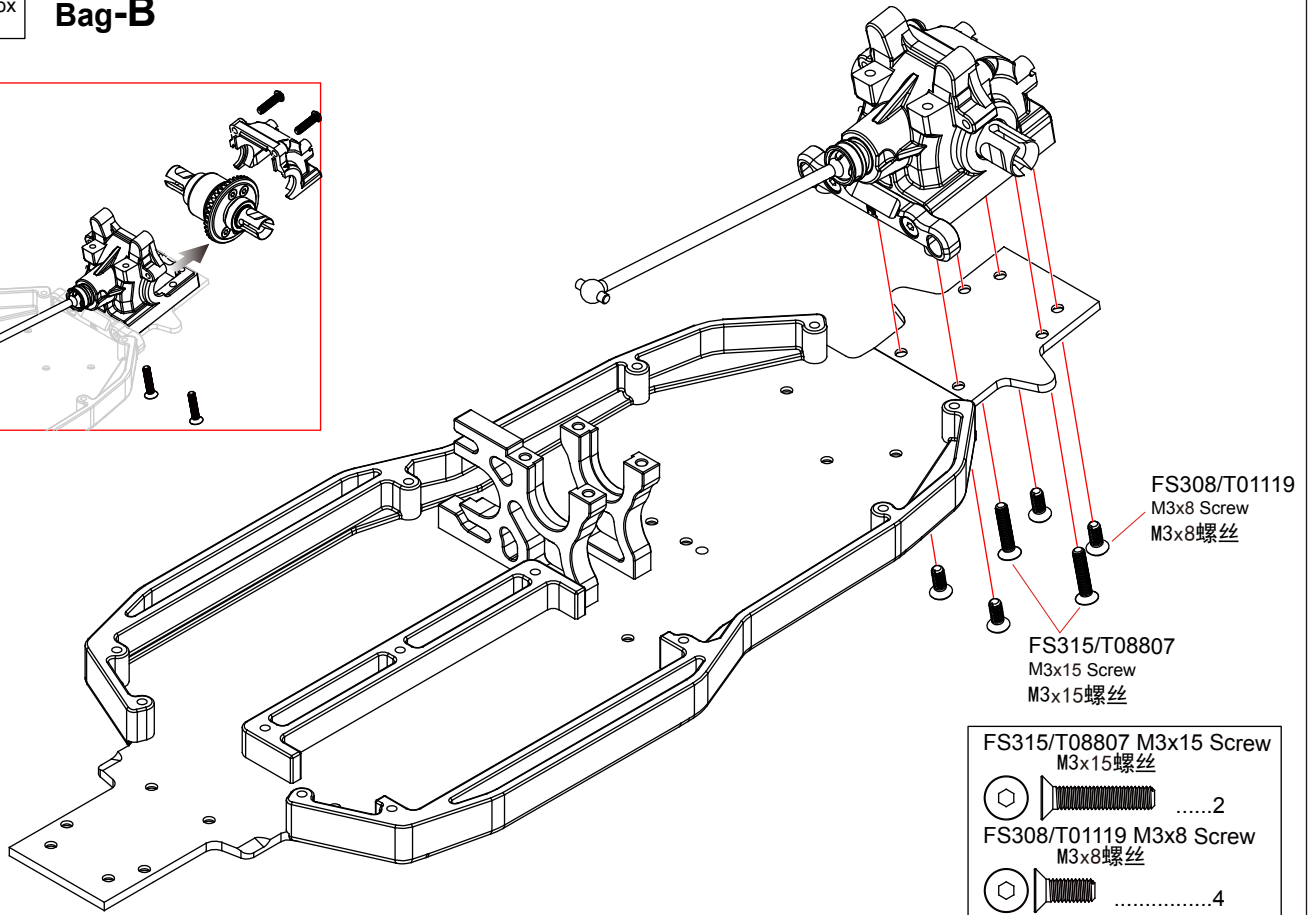
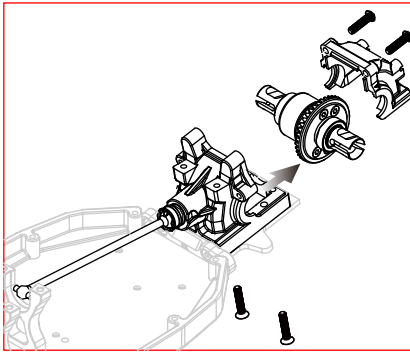


TS424 2x9.8 Pin 2x9.8 钢针	TS424 M4x4 Screw M4x4 螺丝
..... 1	..... 1
TS424 Spring Buckle 弹簧扣	TS424 CVD Shaft CVD轴
..... 1	..... 1



**4** Front Gear-box  
前齿轮箱

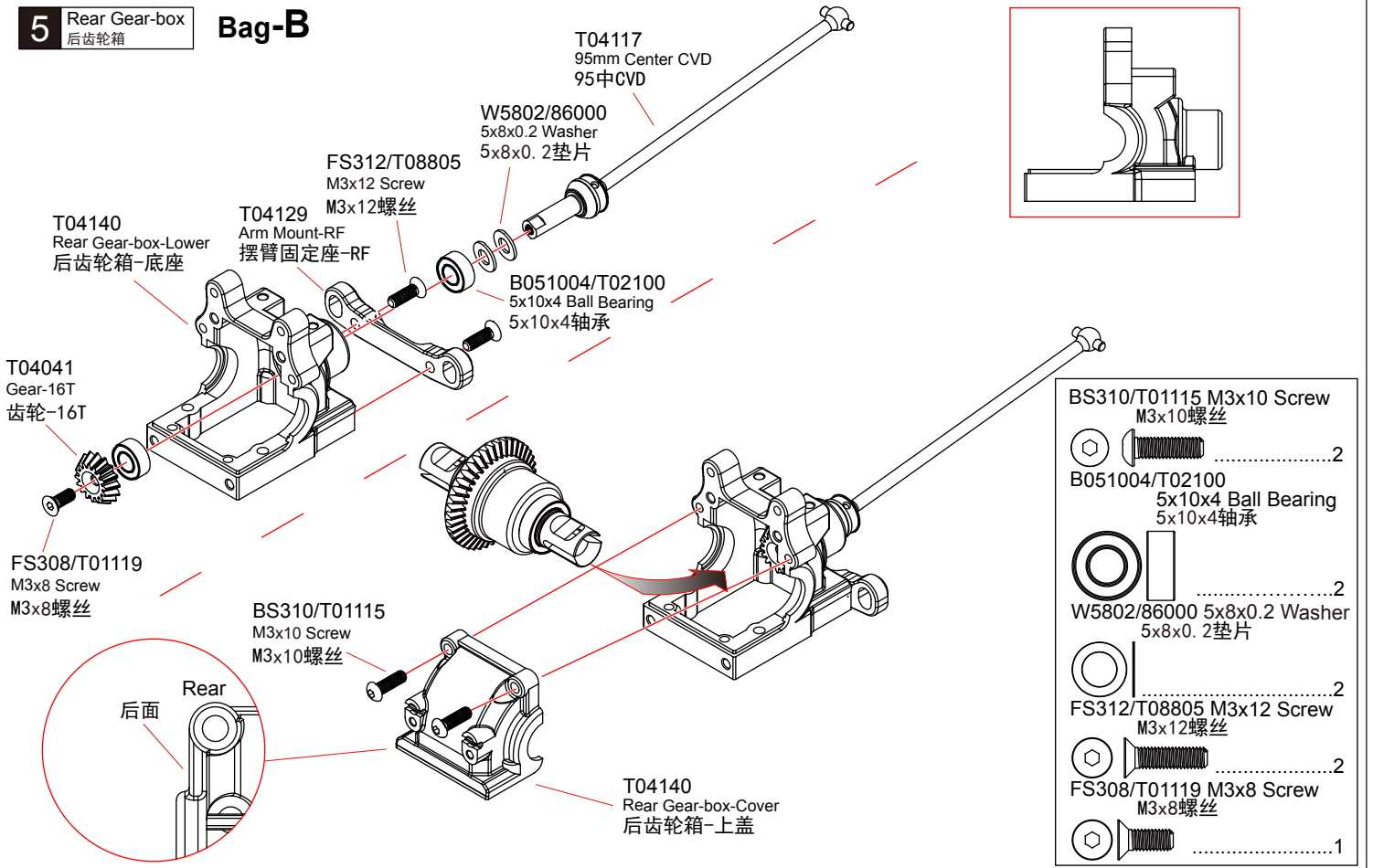
**Bag-B**



	FS315/T08807 M3x15 Screw	M3x15螺丝	.....2
	FS308/T01119 M3x8 Screw	M3x8螺丝	.....4

**5** Rear Gear-box  
后齿轮箱

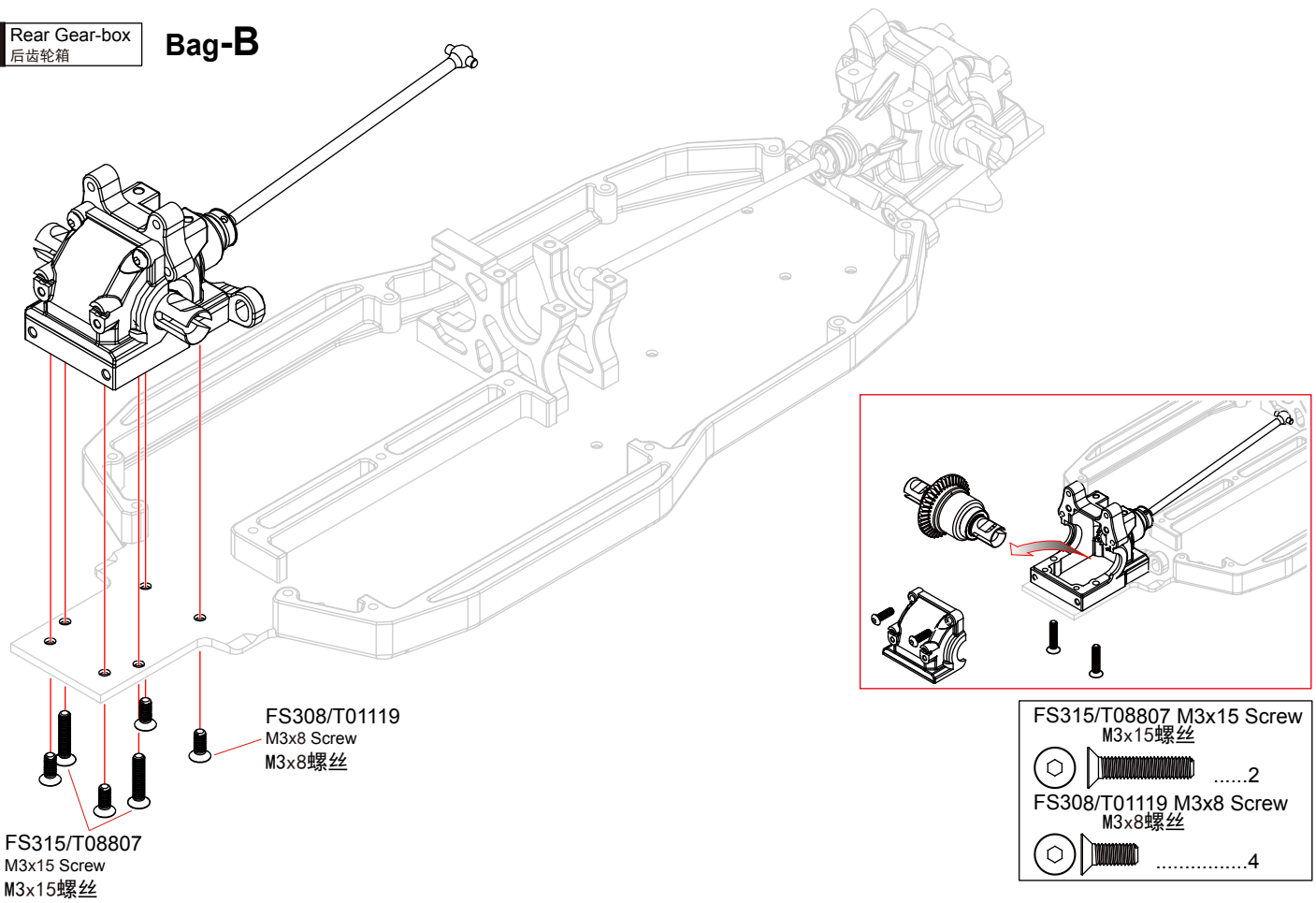
**Bag-B**



	BS310/T01115 M3x10 Screw	M3x10螺丝	.....2
	B051004/T02100	5x10x4 Ball Bearing	5x10x4轴承
	W5802/86000	5x8x0.2 Washer	5x8x0.2垫片
	FS312/T08805 M3x12 Screw	M3x12螺丝	.....2
	FS308/T01119 M3x8 Screw	M3x8螺丝	.....2
	FS308/T01119 M3x8 Screw	M3x8螺丝	.....1

**6** Rear Gear-box  
后齿轮箱

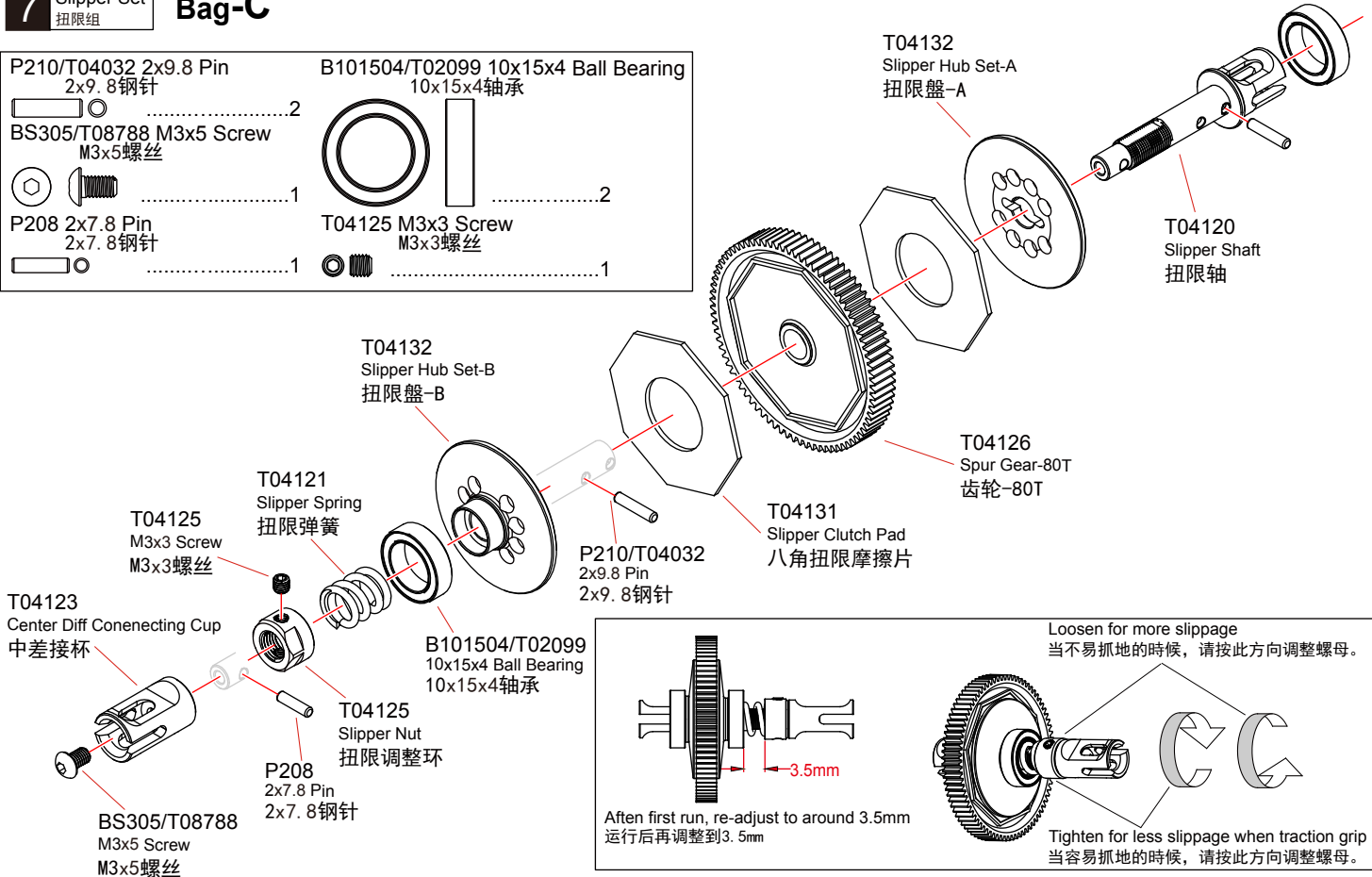
**Bag-B**



**7** Slipper Set  
扭限组

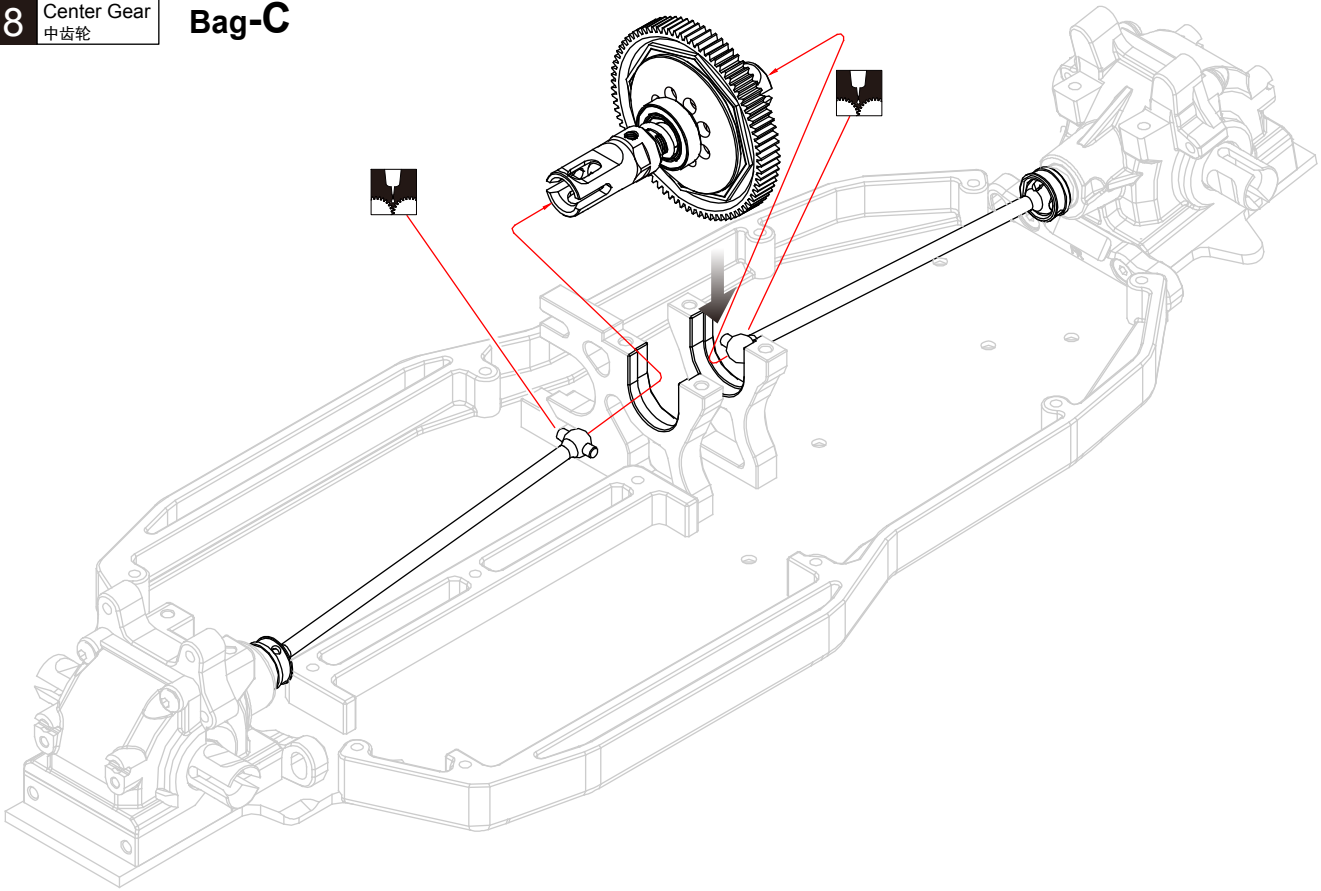
**Bag-C**

P210/T04032 2x9.8 Pin 2x9.8钢针	B101504/T02099 10x15x4 Ball Bearing 10x15x4轴承
BS305/T08788 M3x5 Screw M3x5螺丝	T04125 M3x3 Screw M3x3螺丝
P208 2x7.8 Pin 2x7.8钢针	



**8** Center Gear  
中齿轮

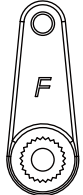
**Bag-C**



**9** Steering Servo  
转向伺服系统

**Bag-C**

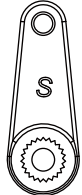
Select the servo horn matching the servo being used.  
根据舵机选择伺服臂。



Futaba - 25t

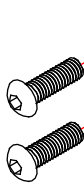
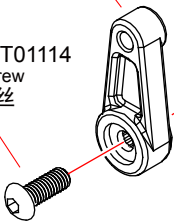


Hitec - 24t

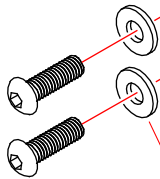


Sanwa / JR / KO - 23t

BS308/T01114  
M3x8 Screw  
M3x8螺丝

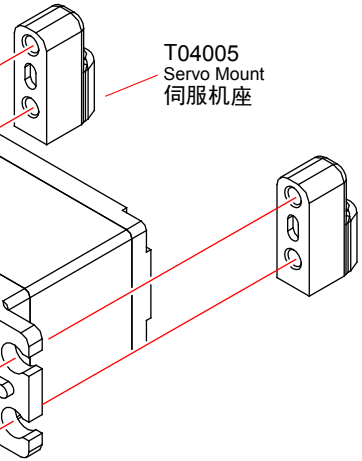


W3708/T02081  
3x7x0.8 Washer  
3x7x0.8 垫片



Servo  
伺服机 X

T04005  
Servo Mount  
伺服机座



W3708/T02081 3x7x0.8 Washer  
3x7x0.8 垫片

.....4

BS308/T01114 M3x8 Screw  
M3x8螺丝

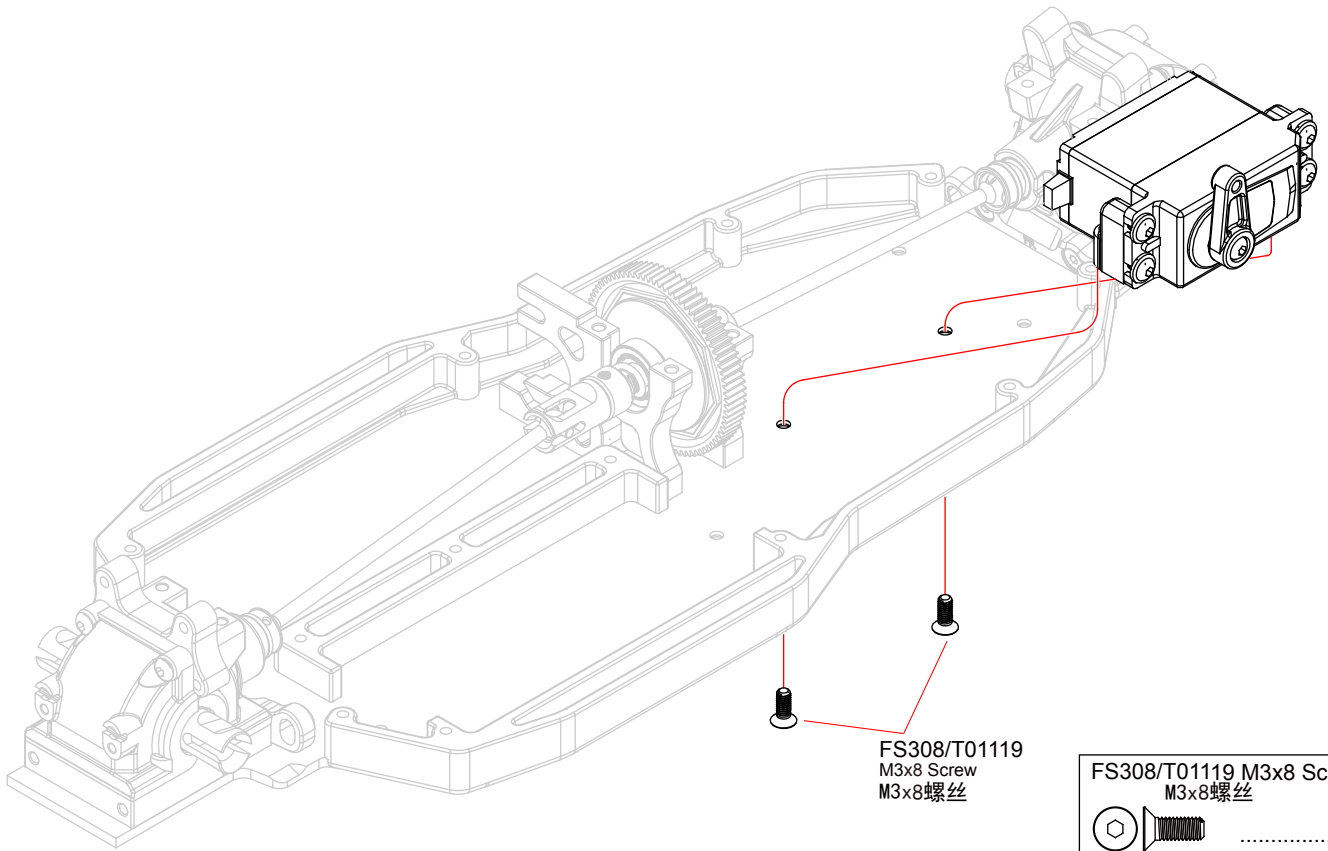
.....5

**X** Must be purchased separately  
需另购物品



**10** Steering Servo  
转向伺服系统

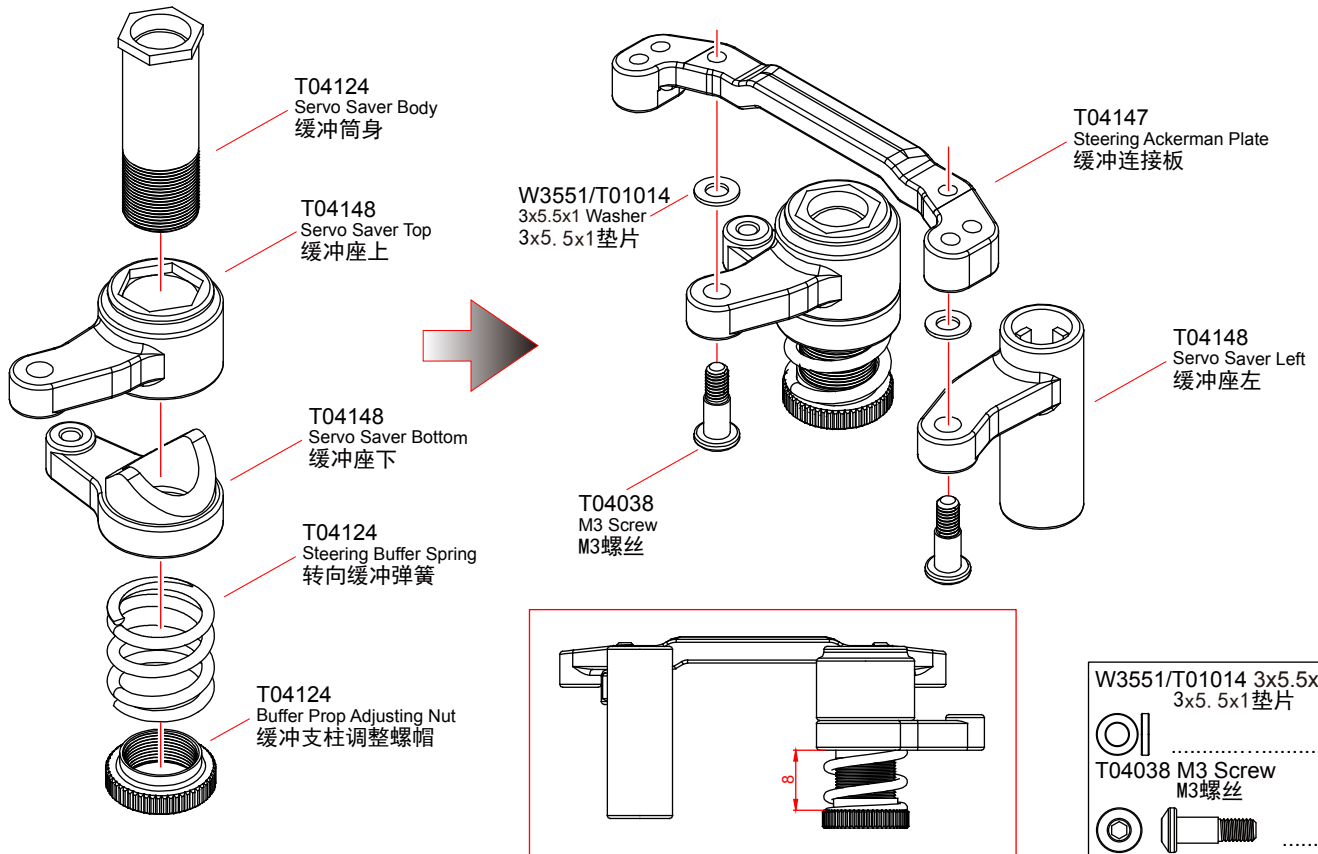
**Bag-C**



FS308/T01119 M3x8 Screw M3x8螺丝	.....2
-----------------------------------	--------

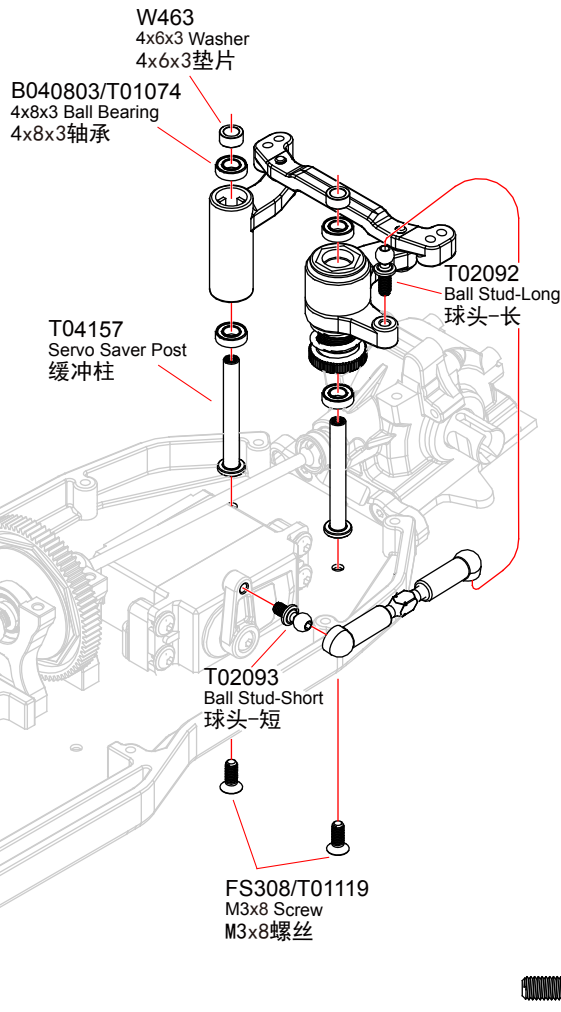
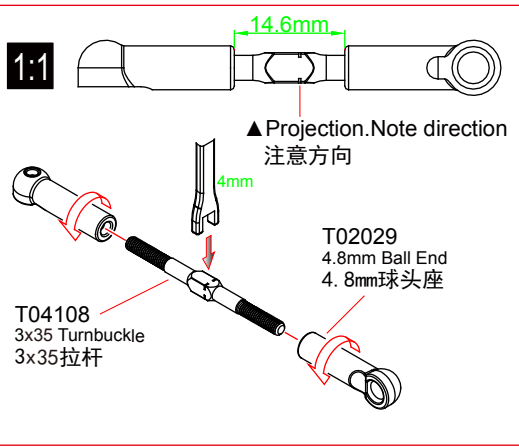
**11** Buffer  
缓冲

**Bag-C**



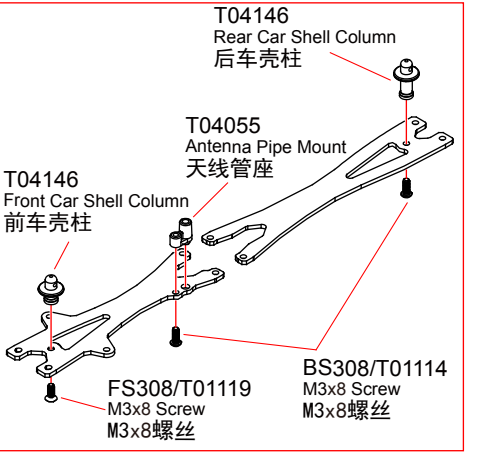
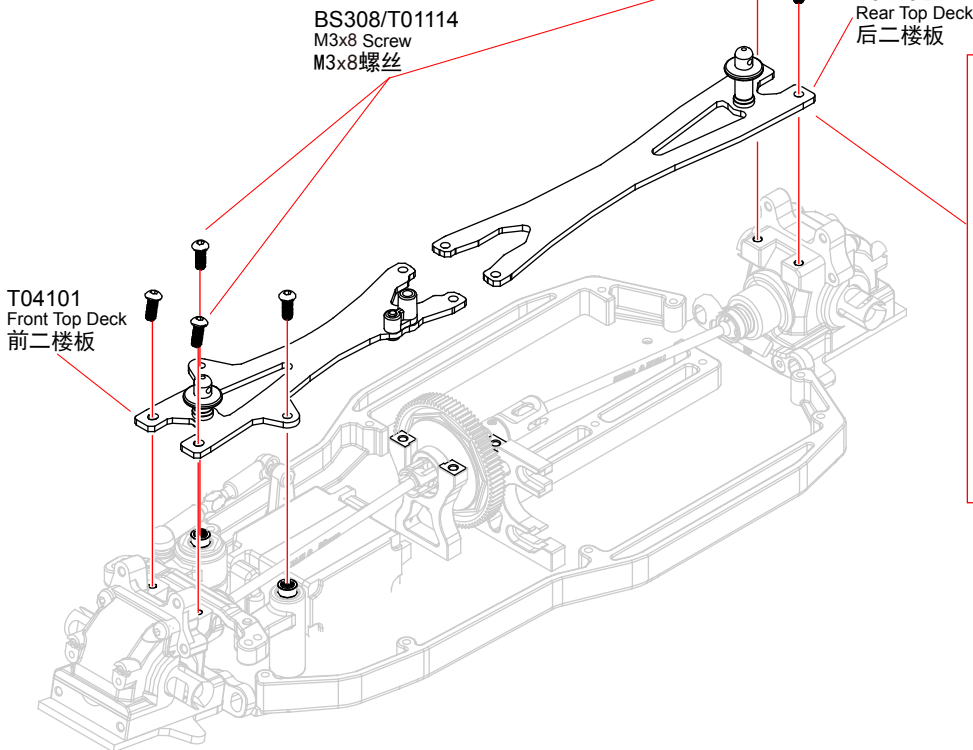
W3551/T01014 3x5.5x1 Washer 3x5.5x1垫片	.....2
T04038 M3 Screw M3螺丝	.....2

**12** Buffer  
缓冲 **Bag-C**



B040803/T01074 4x8x3 Ball Bearing 4x8x3轴承	.....	4
W463 4x6x3 Washer 4x6x3垫片	.....	2
T02093 Ball Stud-Short 球头-短	.....	1
T02092 Ball Stud-Long 球头-长	.....	1
FS308/T01119 M3x8 Screw M3x8螺丝	.....	2
T02029 4.8mm Ball End 4.8mm球头座	.....	2
T04108 3x35 Turnbuckle 3x35拉杆	.....	1

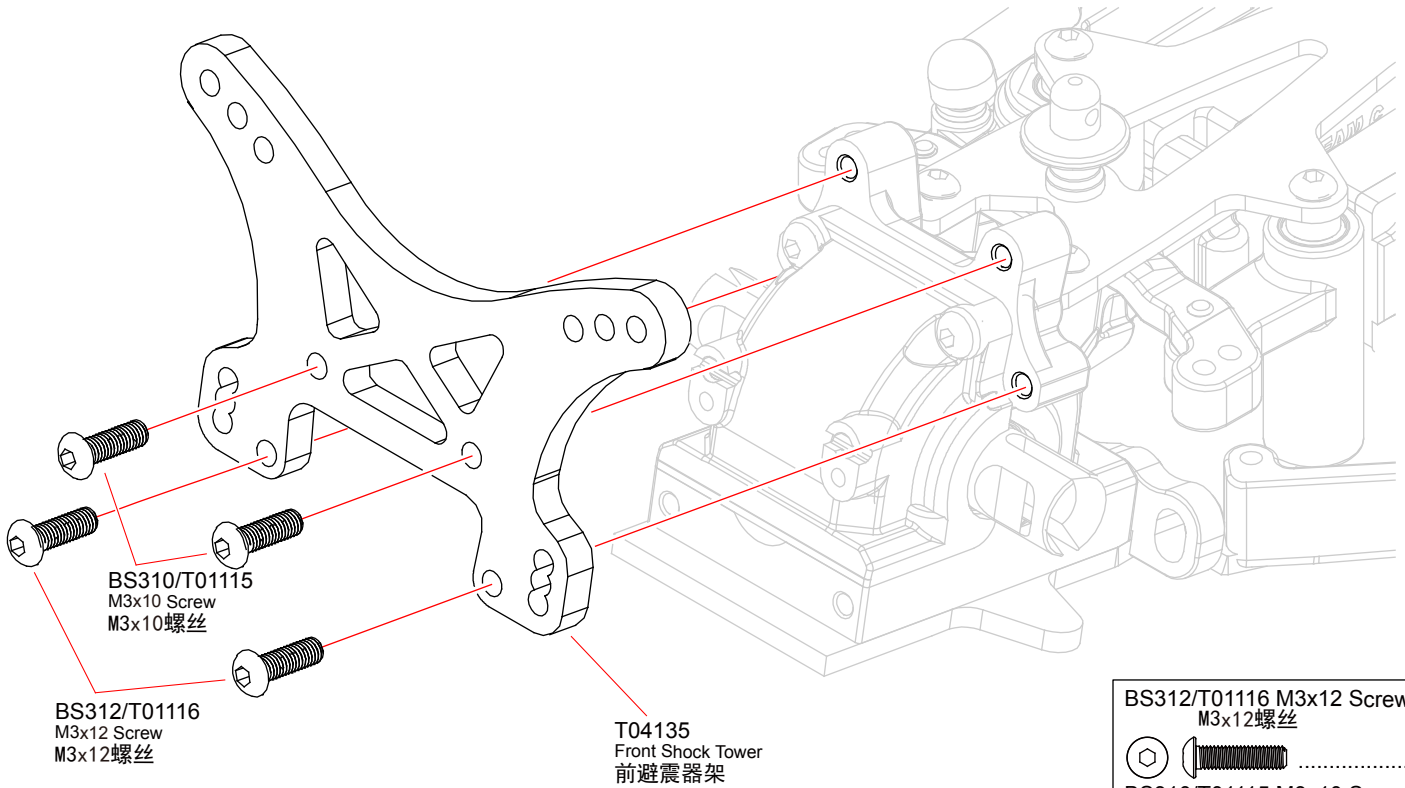
**13** Top Deck/Car Shell Column  
二楼板/车壳柱 **Bag-C**



FS308/T01119 M3x8 Screw M3x8螺丝	.....	1
BS308/T01114 M3x8 Screw M3x8螺丝	.....	8

**14** Front Shock Tower  
前避震架

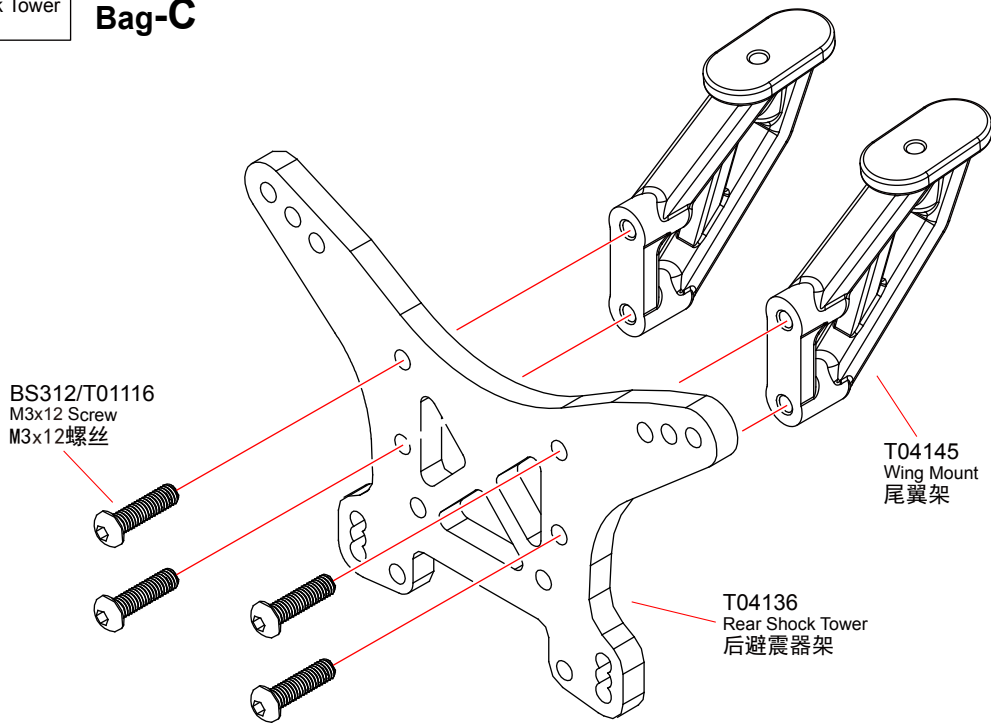
**Bag-C**



BS312/T01116 M3x12 Screw M3x12螺丝		.....2
BS310/T01115 M3x10 Screw M3x10螺丝		.....2

**15** Rear Shock Tower  
后避震架

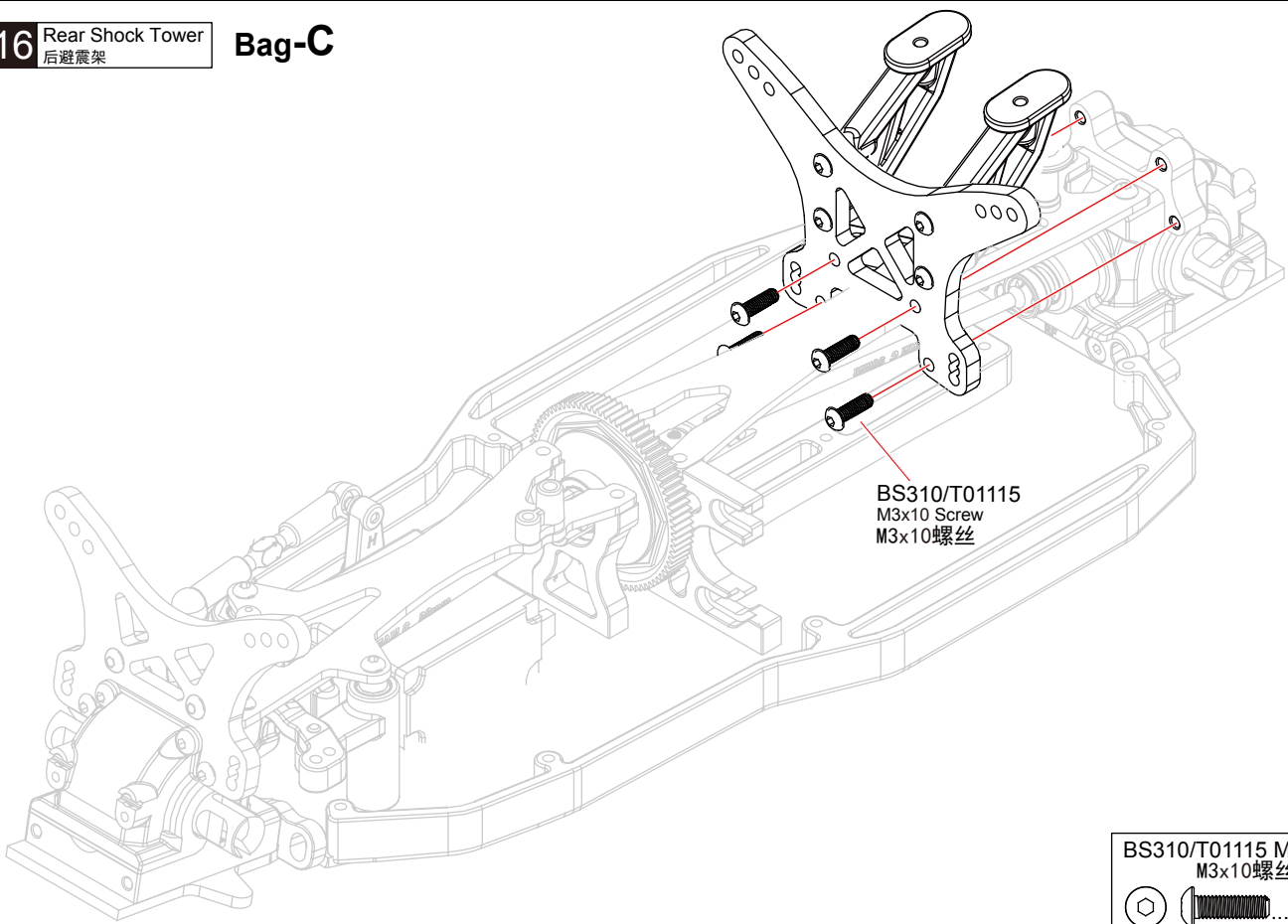
**Bag-C**



BS312/T01116 M3x12 Screw M3x12螺丝		.....4
-------------------------------------	--	--------

**16** Rear Shock Tower  
后避震架

**Bag-C**

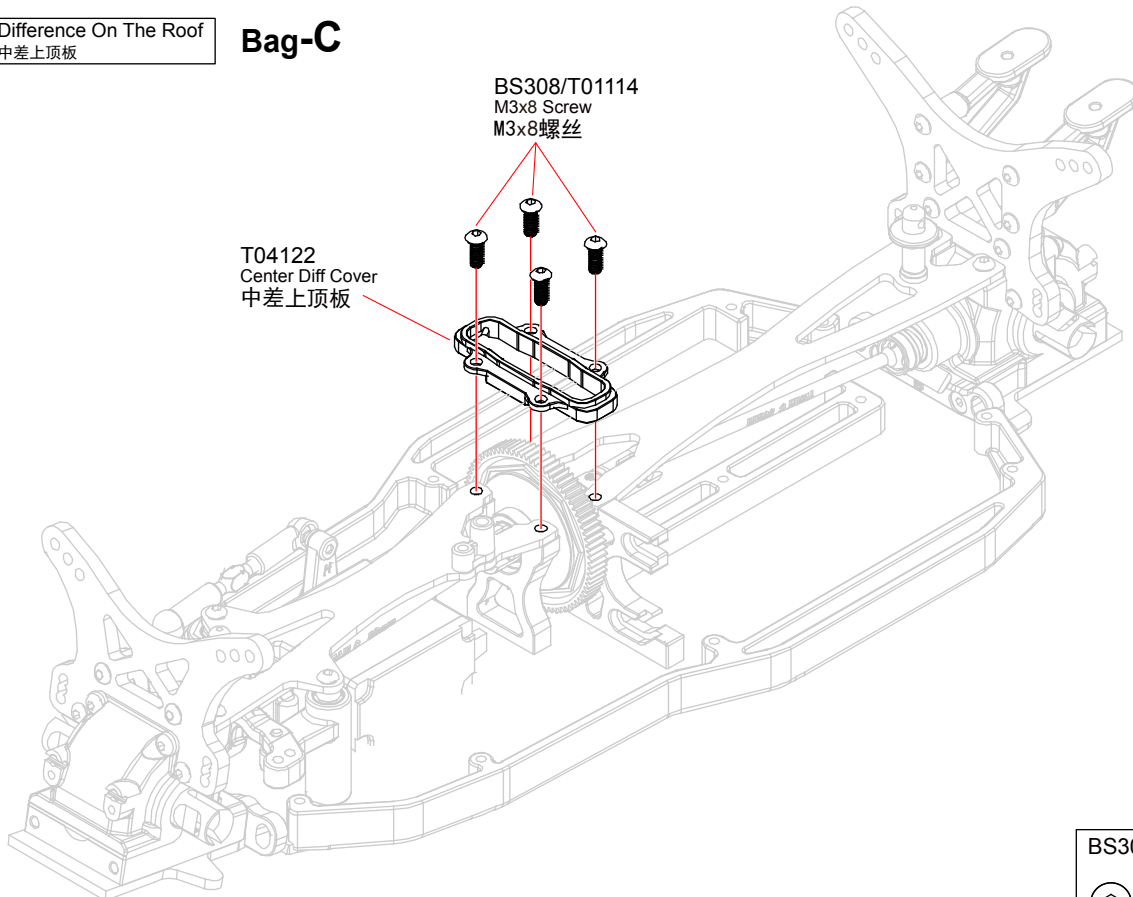


BS310/T01115 M3x10 Screw  
M3x10螺丝

.....4

**17** Difference On The Roof  
中差上顶板

**Bag-C**

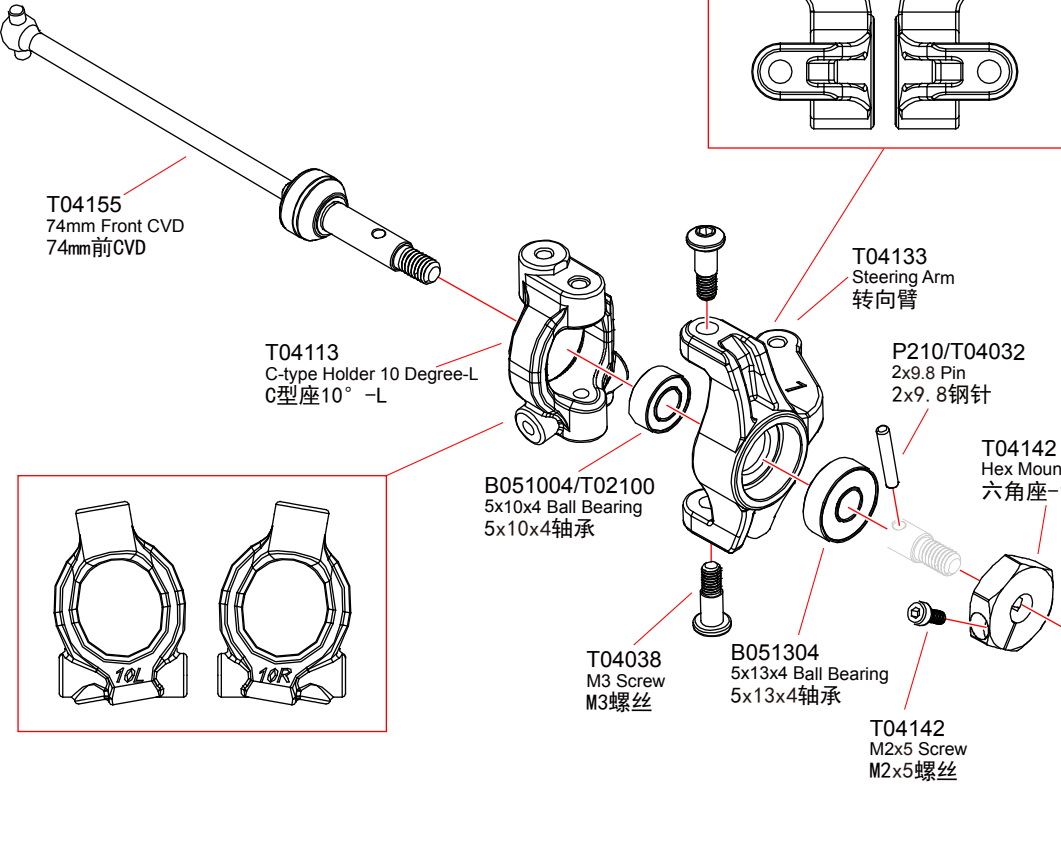


BS308/T01114 M3x8 Screw  
M3x8螺丝

.....4

**18** Front Hub Carriers  
前轮座

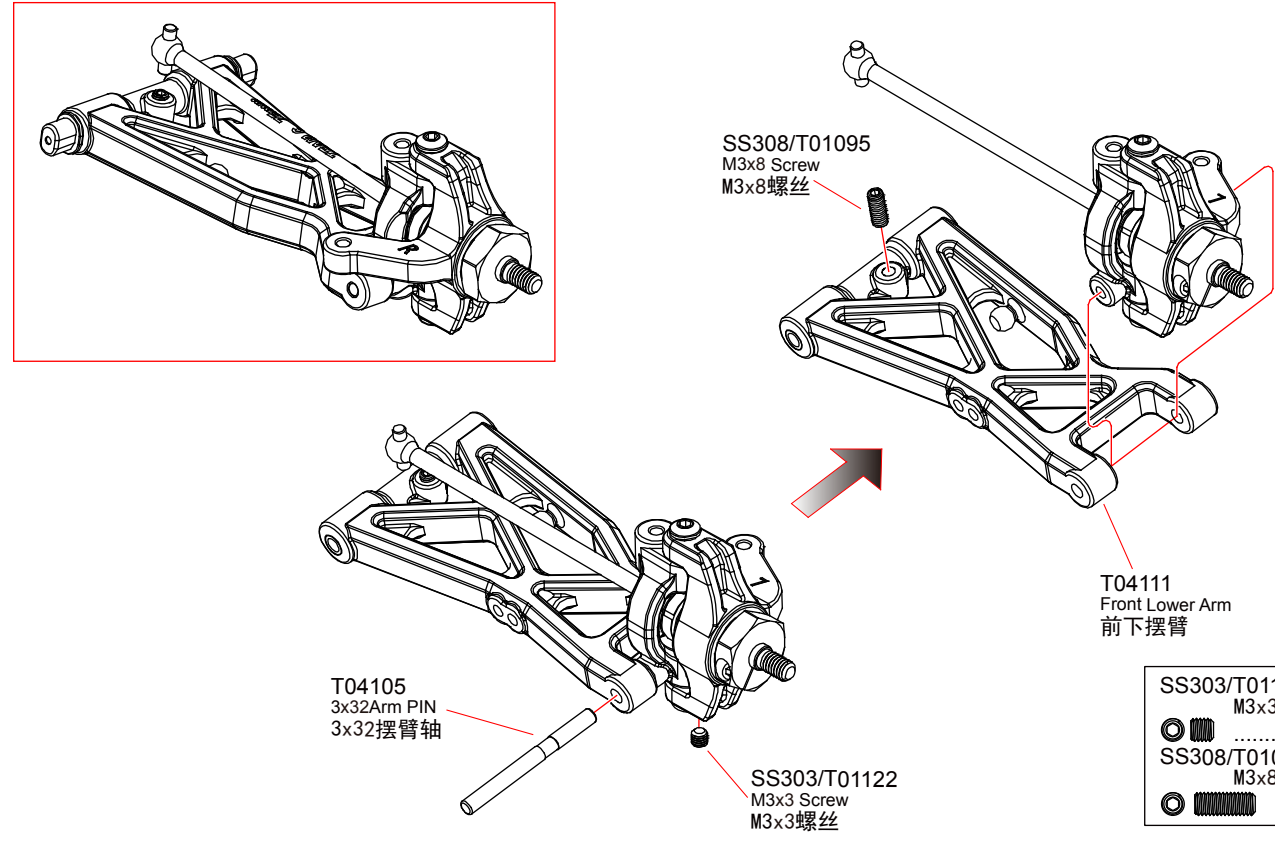
**Bag-D**



T04038 M3 Screw M3螺丝	.....4
B051304 5x13x4 Ball Bearing 5x13x4轴承	.....2
B051004/T02100 5x10x4 Ball Bearing 5x10x4轴承	.....2
T04142 M2x5 Screw M2x5螺丝	.....2
P210/T04032 2x9.8 Pin 2x9.8钢针	.....2
	.....2

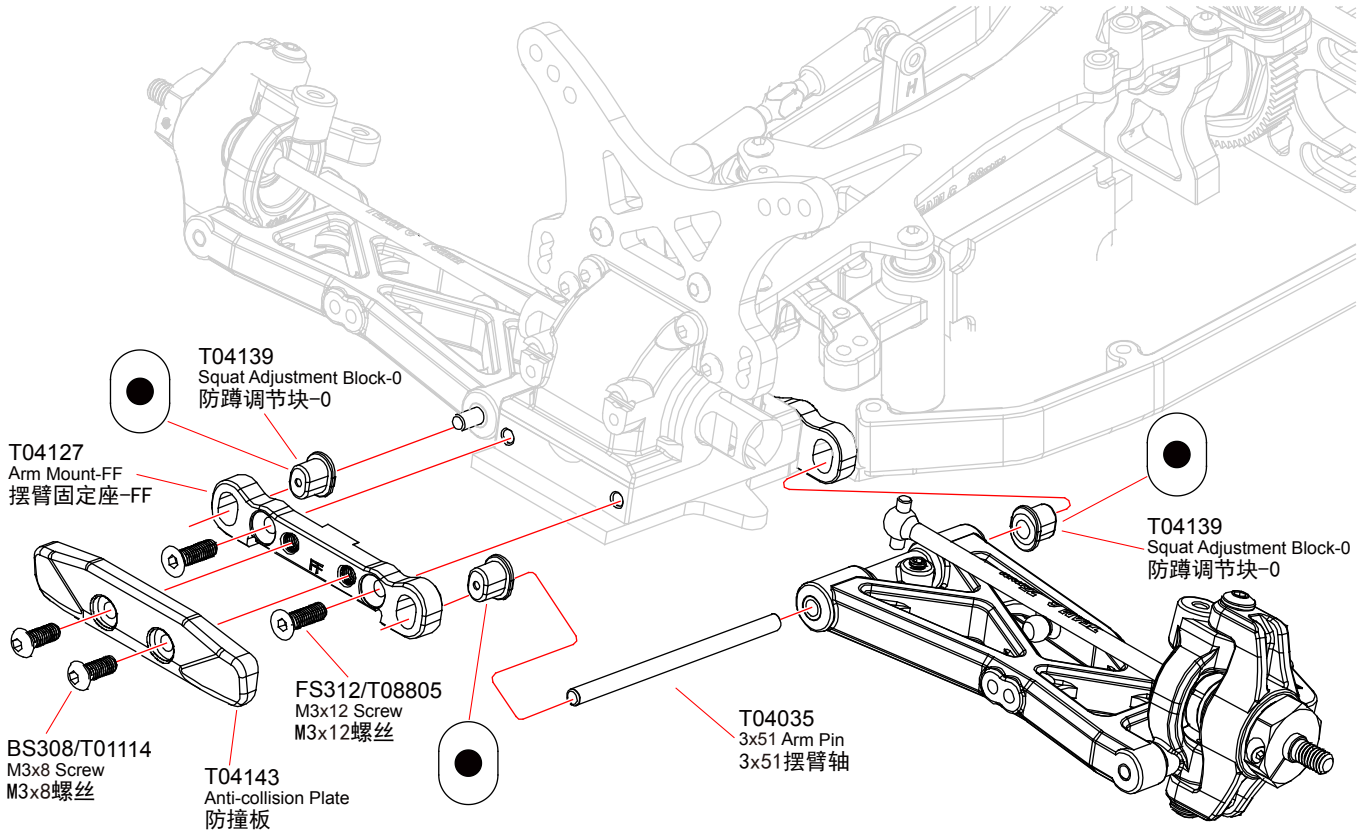
**19** Front Lower Arm  
前下摆臂

**Bag-D**



SS303/T01122 M3x3 Screw M3x3螺丝	.....2
SS308/T01095 M3x8 Screw M3x8螺丝	.....2

**L/R** Assemble both Left and Right  
組裝左和右



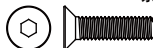
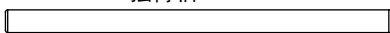
kick-up		
FF	FR	(°)
		=10°
		=9°
		=11°
		=11°
		=10°
		=12°
		=9°
		=8°
		=10°

ROLL-CENTER		
FF	FR	(mm)
		=+0.9 m m
		=0 m m
		=-0.9 m m

T04035 3x51 Arm PIN  
3x51摆臂轴

FS312/T08805 M3x12 Screw  
M3x12螺丝

BS308/T01114 M3x8 Screw  
M3x8螺丝

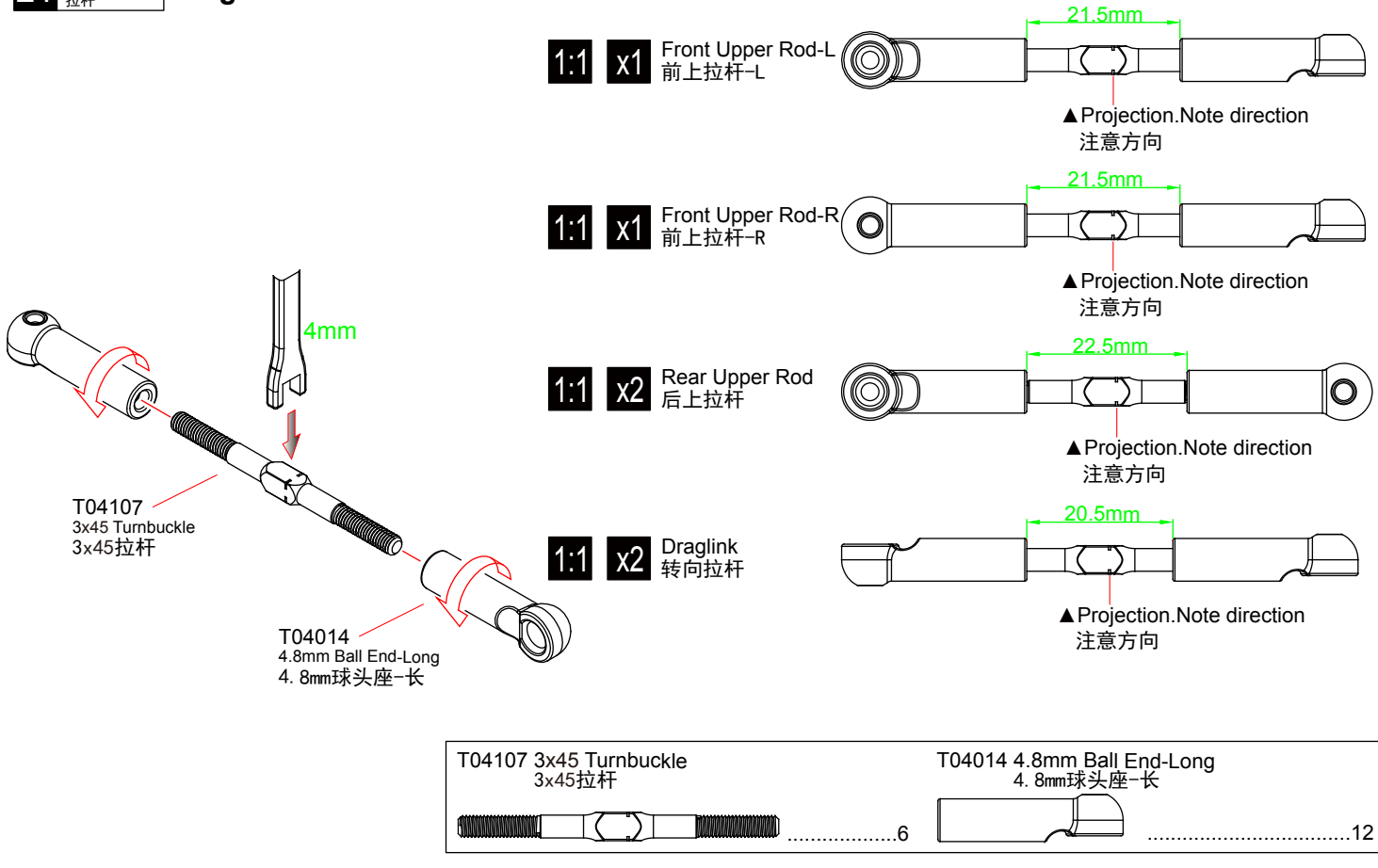


.....2

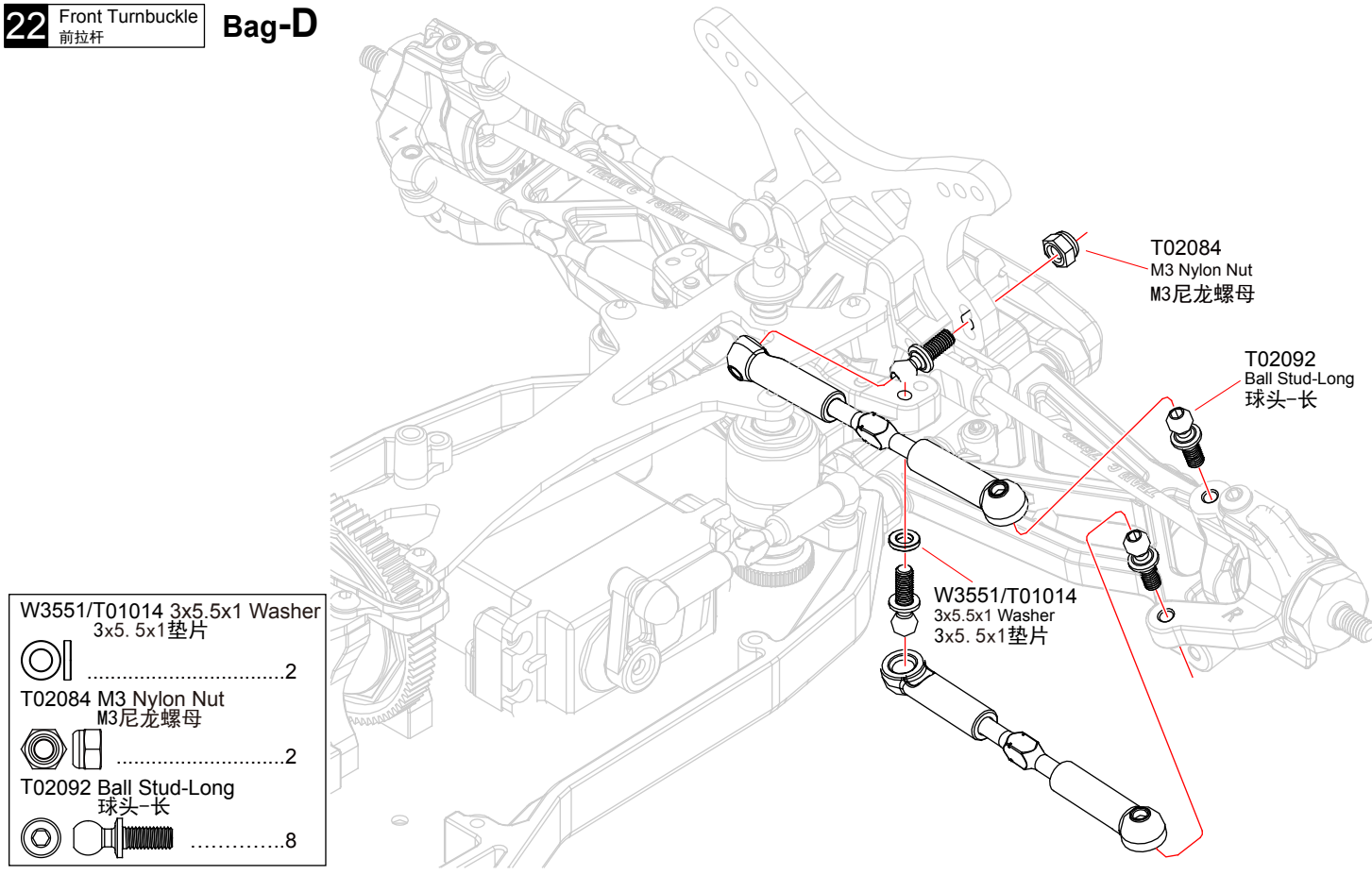
.....2

.....2

**21** Turnbuckle 拉杆 **Bag-D**

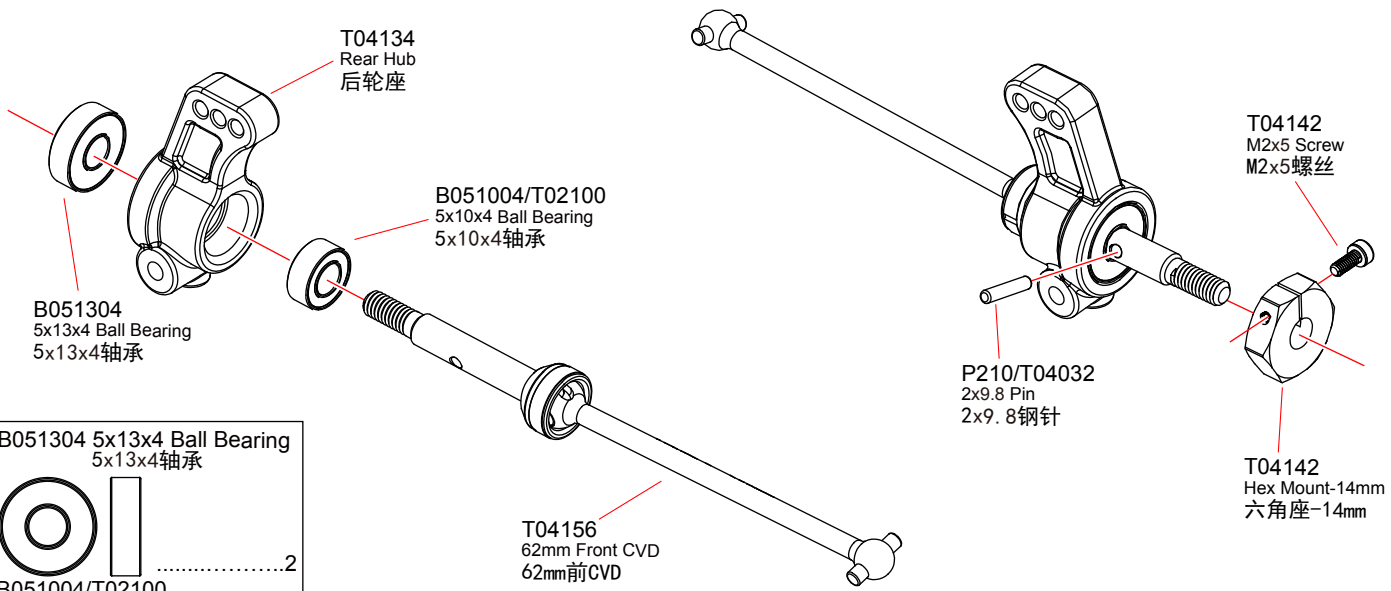


**22** Front Turnbuckle 前拉杆 **Bag-D**

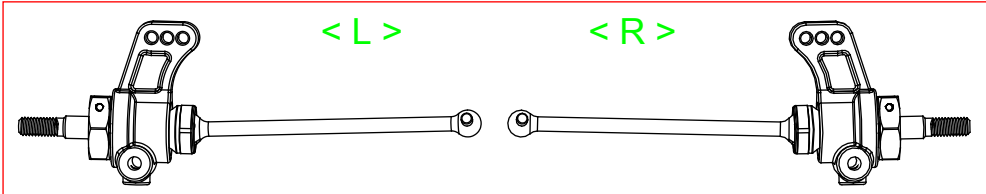


**23** Rear Hub Carriers  
后轮座

**Bag-D** **x2**

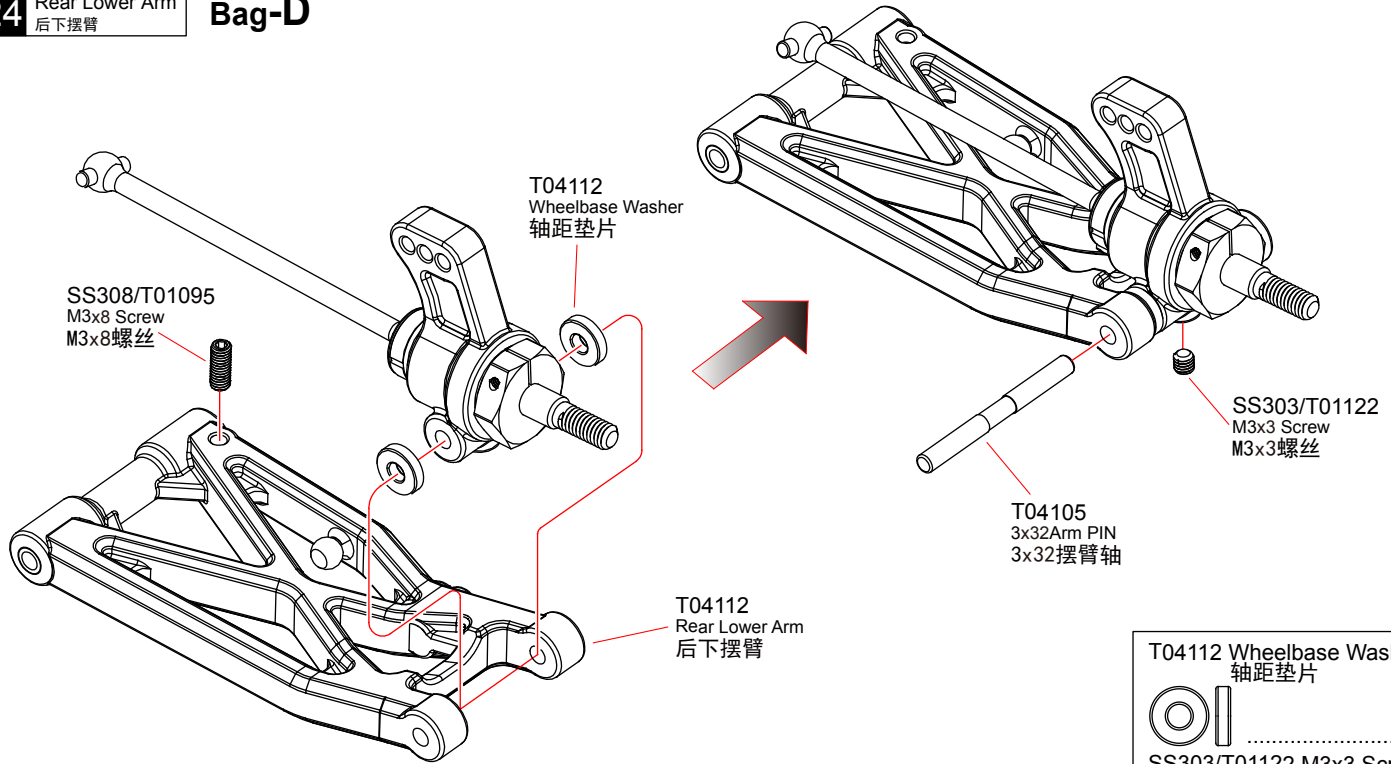


	B051304 5x13x4 Ball Bearing 5x13x4轴承	.....2
	B051004/T02100 5x10x4 Ball Bearing 5x10x4轴承	.....2
	T04142 M2x5 Screw M2x5螺丝	.....2
	P210/T04032 2x9.8 Pin 2x9.8钢针	.....2
	T04156 62mm Front CVD 62mm前CVD	.....2



**24** Rear Lower Arm  
后下摆臂

**Bag-D**

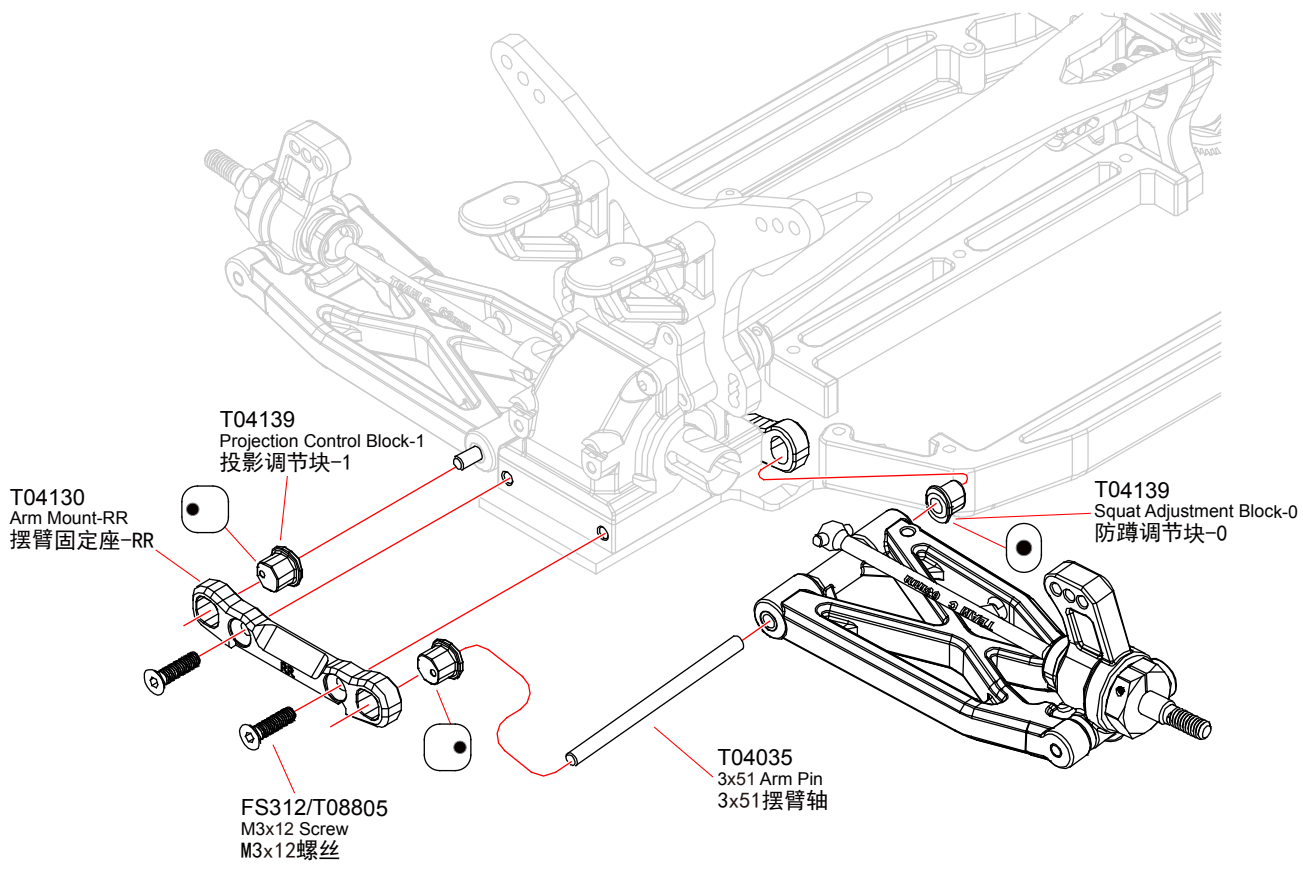
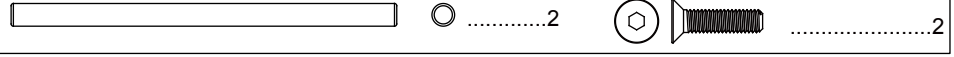


	T04112 Wheelbase Washer 轴距垫片	.....4
	SS303/T01122 M3x3 Screw M3x3螺丝	.....2
	SS308/T01095 M3x8 Screw M3x8螺丝	.....2
	T04105 3x32 Arm PIN 3x32摆臂轴	.....2

Assemble both Left and Right  
組裝左和右

Assemble as many times as specified  
需組裝數量





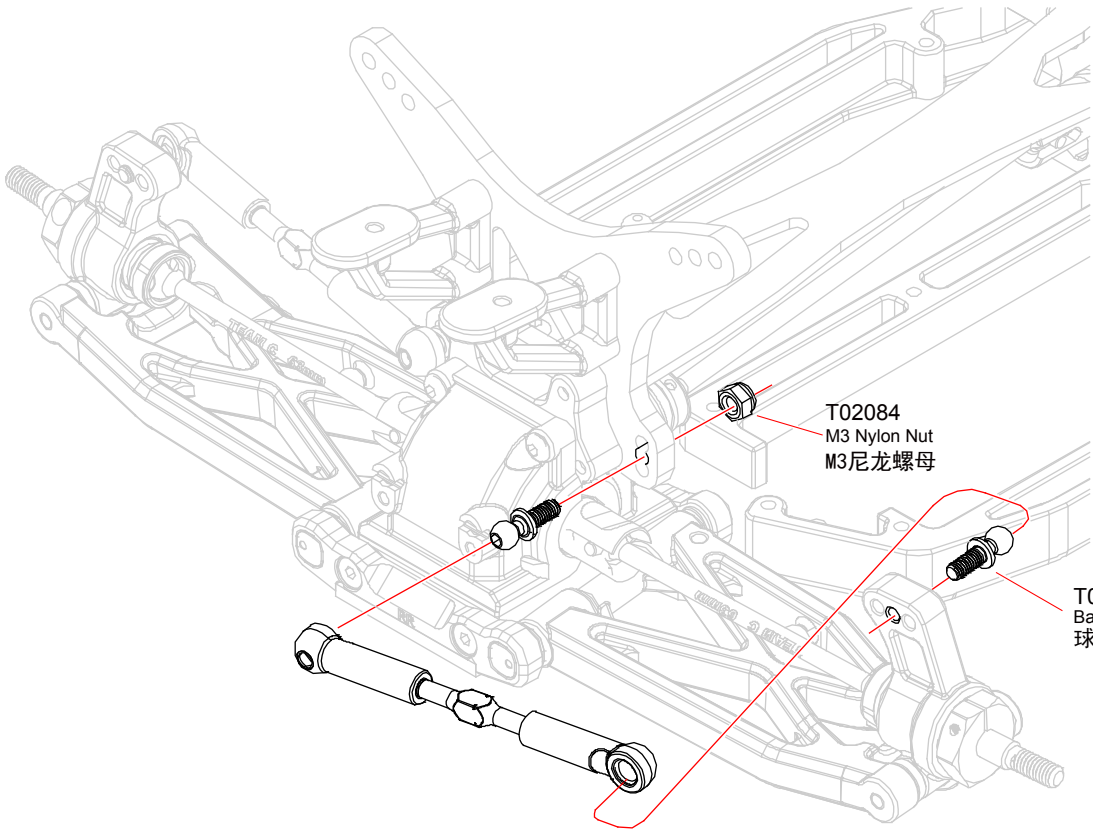
ANTI-SQUAT		
RF	RR	(°)
		=2°
		=1°
		=3°
		=3°
		=2°
		=4°
		=1°
		=0°
		=2°



ROLL-CENTER		
FF	FF	(mm)
		=+0.9mm
		=0mm
		=-0.9mm

TOE-IN		
RF	RR	(°)
		=2.5°
		=3.5°
		=1.5°

**26** Rear Turnbuckle  
后拉杆

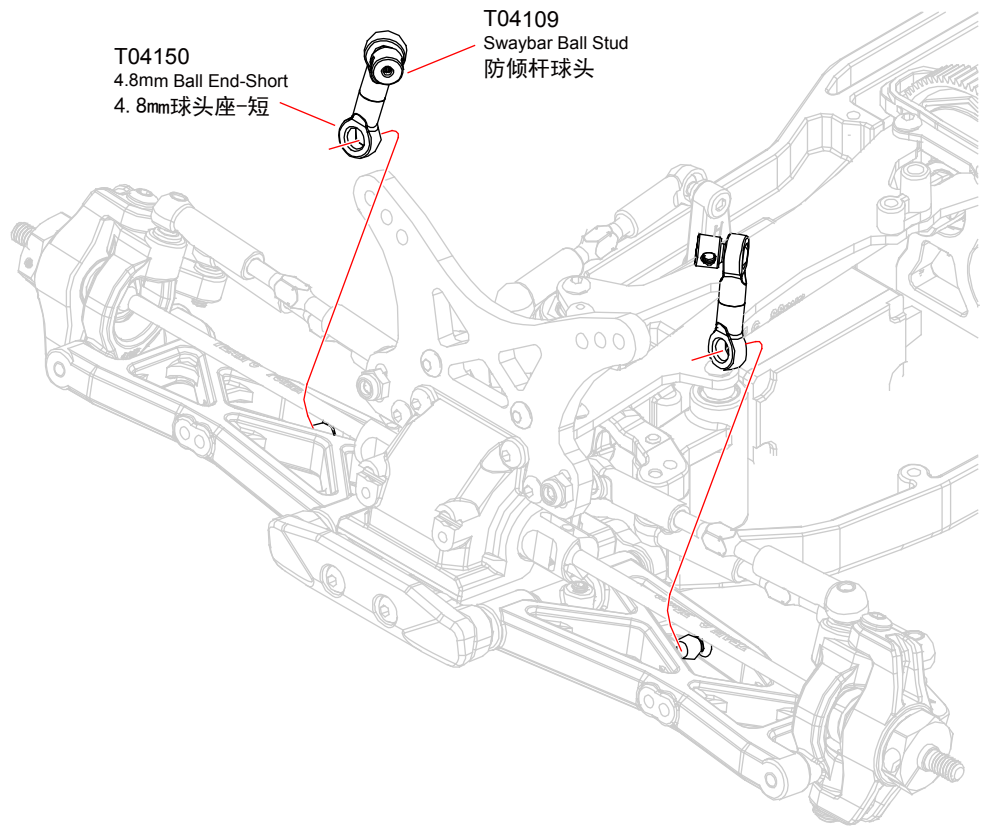
**Bag-D**

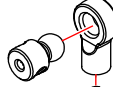
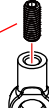



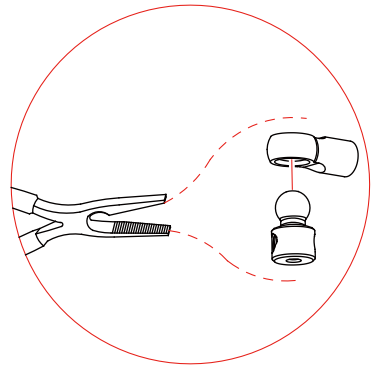
	T02084 M3 Nylon Nut M3尼龙螺母	.....2
	T02092 Ball Stud-Long 球头-长	.....4

**27** Front Swaybar  
前防倾杆

**Bag-D**



<b>x2</b>		T04109 Swaybar Ball Stud 防倾杆球头
		T04150 4.8mm Ball End-Short 4.8mm球头座-短
		M3x10 Screw M3x10螺丝

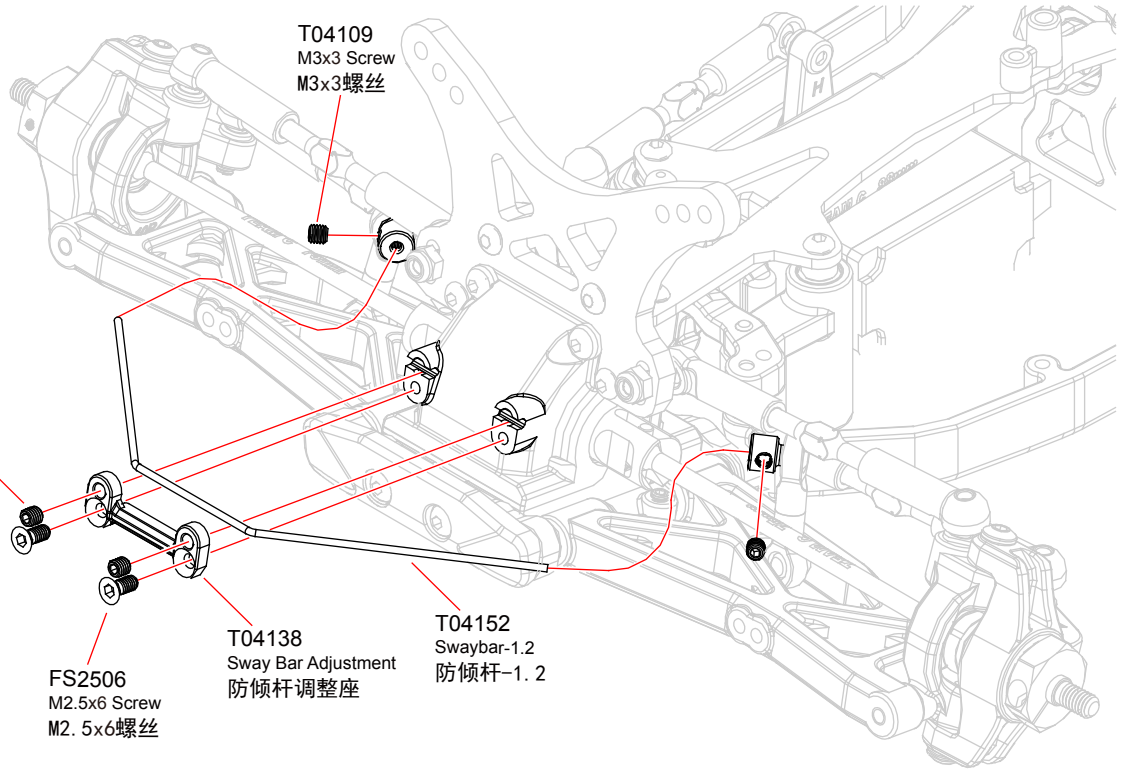


**28** Front Swaybar  
前防倾杆

**Bag-D**

T04109  
M3x3 Screw  
M3x3螺丝

SS303  
M3x3 Screw  
M3x3螺丝



SS303/T04109 M3x3 Screw  
M3x3螺丝

.....4

FS2506 M2.5x6 Screw  
M2.5x6螺丝

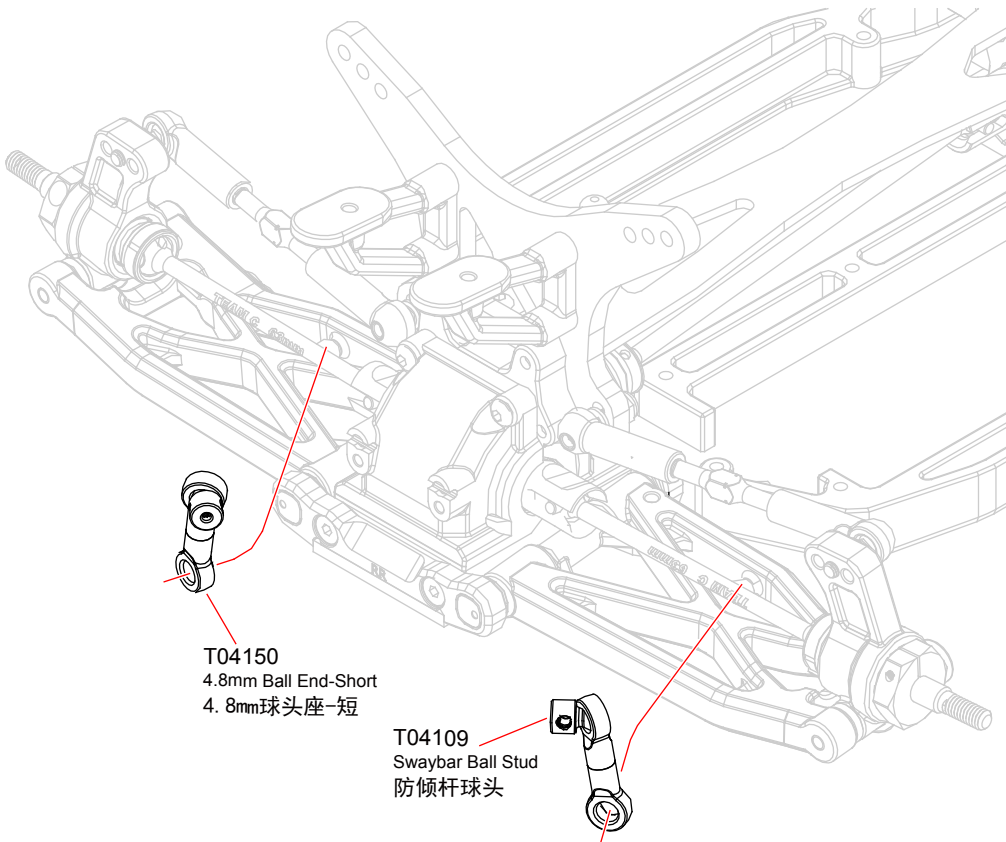
.....2

**29** Rear Swaybar  
后防倾杆

**Bag-D**

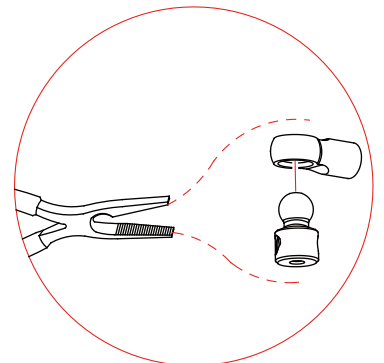
x2

T04150  
M3x10 Screw  
M3x10螺丝



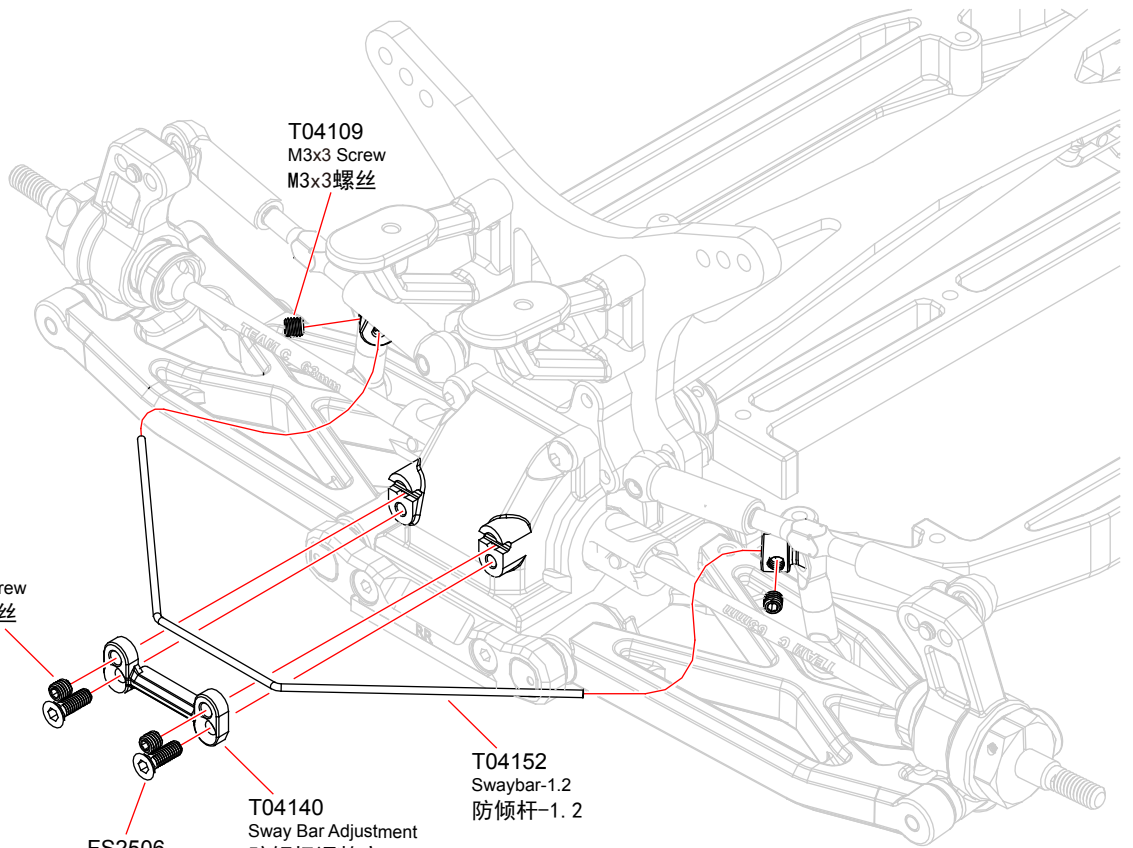
T04150  
4.8mm Ball End-Short  
4.8mm球头座-短

T04109  
Swaybar Ball Stud  
防倾杆球头



**30** Rear Swaybar  
后防倾杆

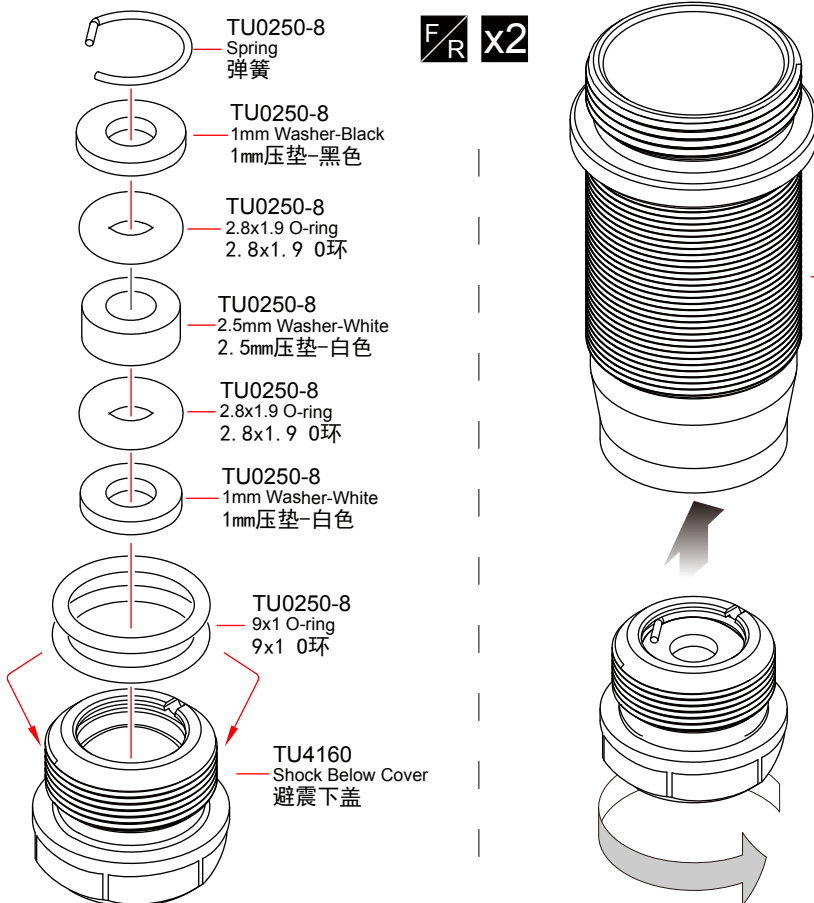
**Bag-D**



- |                                   |   |
|-----------------------------------|---|
| SS303/T04109 M3x3 Screw<br>M3x3螺丝 | 4 |
| FS2506 M2.5x6 Screw<br>M2.5x6螺丝   | 2 |

**31** Shock Absorber  
避震器

**Bag-E**



- |   |   |
|---|---|
| TU0250-8 Spring<br>弹簧                     | 4 |
| TU0250-8 1mm Washer-Black<br>1mm压垫-黑色     | 4 |
| TU0250-8 1mm Washer-White<br>1mm压垫-白色     | 4 |
| TU0250-8 2.5mm Washer-White<br>2.5mm压垫-白色 | 4 |
| TU0250-8 2.8x1.9 O-ring<br>2.8x1.9 O环     | 8 |
| TU0250-8 9x1 O-ring<br>9x1 O环             | 8 |

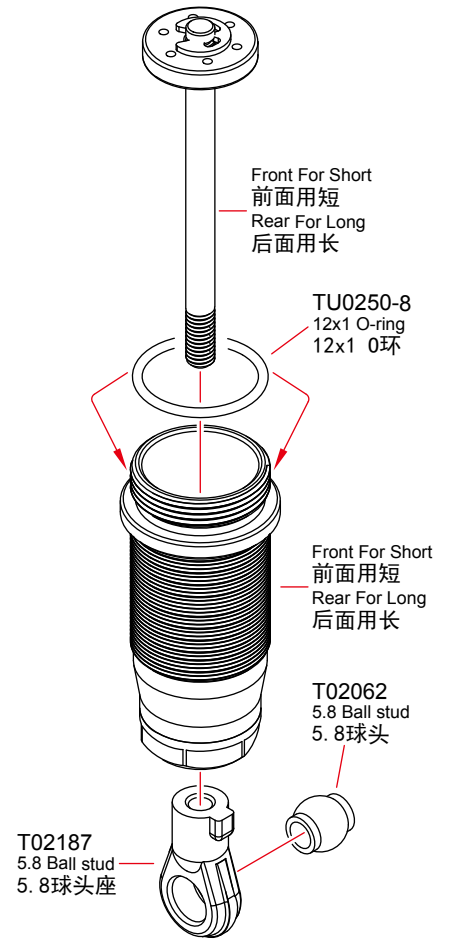
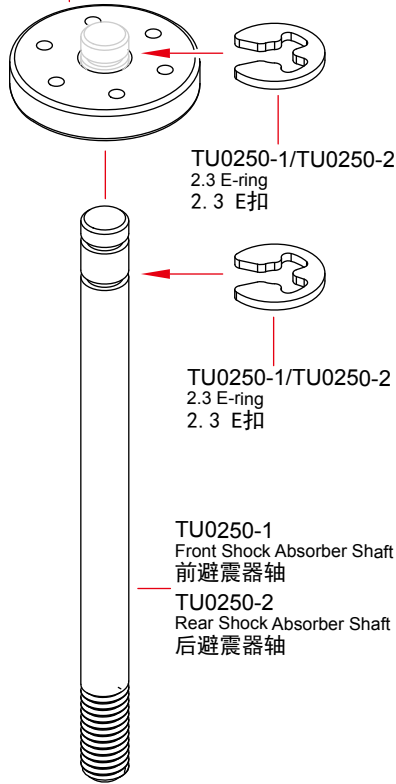
- T04158  
Front Shock Absorber Body-Short  
前避震器筒身-短
- T04159  
Rear Shock Absorber Body-Long  
后避震器筒身-长

**32 Shock Absorber 避震器 Bag-E**

TU0250-1/TU0250-2 2.3 E-ring 2.3 E扣	8
TU0250-7 Front Piston-Black 前活塞-黑色	2
TU0250-7 Rear Piston-White 后活塞-白色	2
TU0250-8 12x1 O-ring 12x1 O环	4
T02187 5.8 Ball End 5.8球头座	4
T02062 5.8 Ball Stud 5.8球头	4

TU0250-7  
Front Piston-Black  
前活塞-黑色  
Rear Piston-White  
后活塞-白色

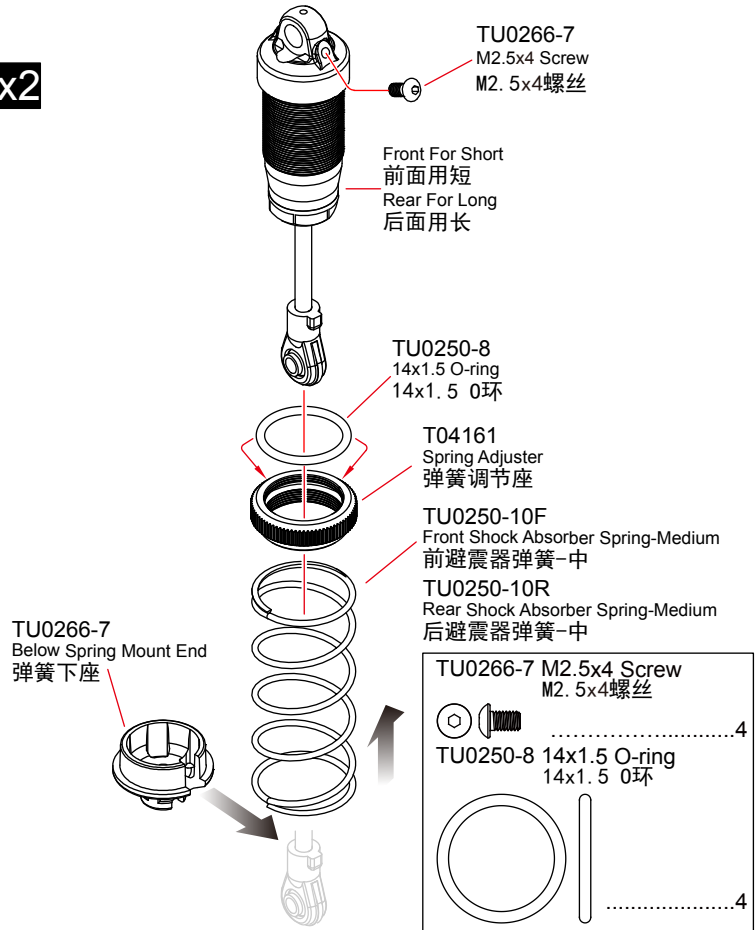
**F/R x2**



**33 Shock Absorber 避震器 Bag-E**



**F/R x2**



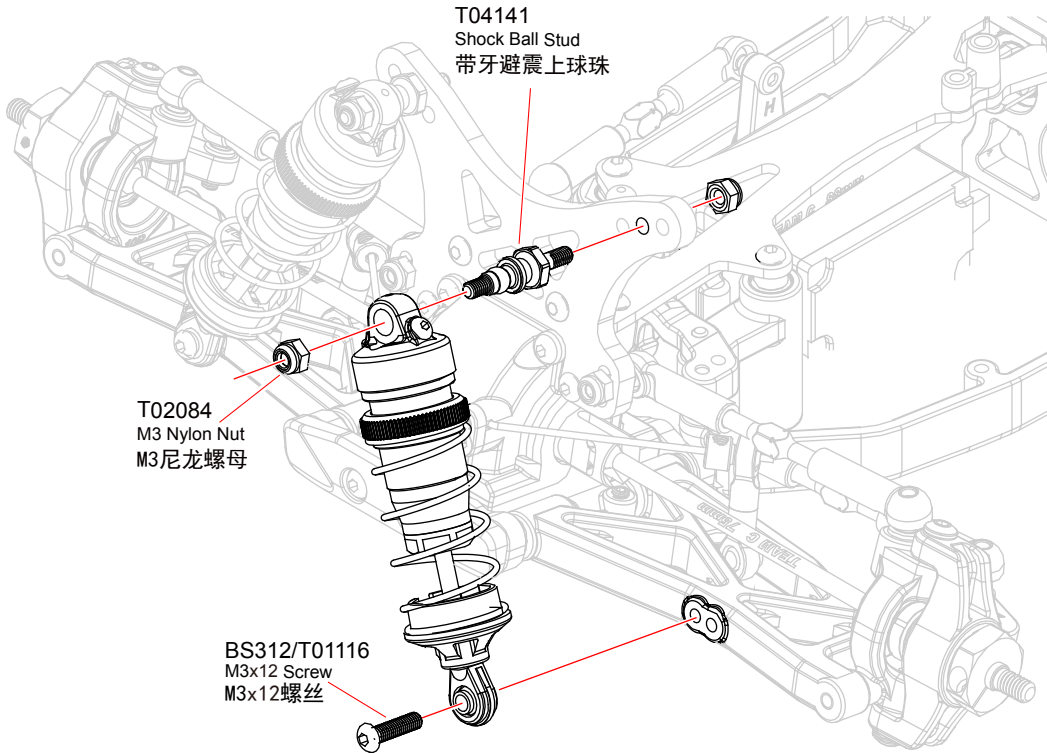
**34** Front Shock Absorber  
前避震器

**Bag-E**

T04141  
Shock Ball Stud  
带牙避震上球珠

T02084  
M3 Nylon Nut  
M3尼龙螺母

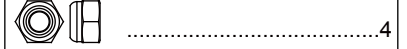
BS312/T01116  
M3x12 Screw  
M3x12螺丝



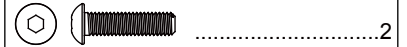
T04041 Shock Ball Stud  
带牙避震上球珠



T02084 M3 Nylon Nut  
M3尼龙螺母



BS312/T01116 M3x12 Screw  
M3x12螺丝



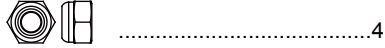
**35** Rear Shock Absorber  
后避震器

**Bag-E**

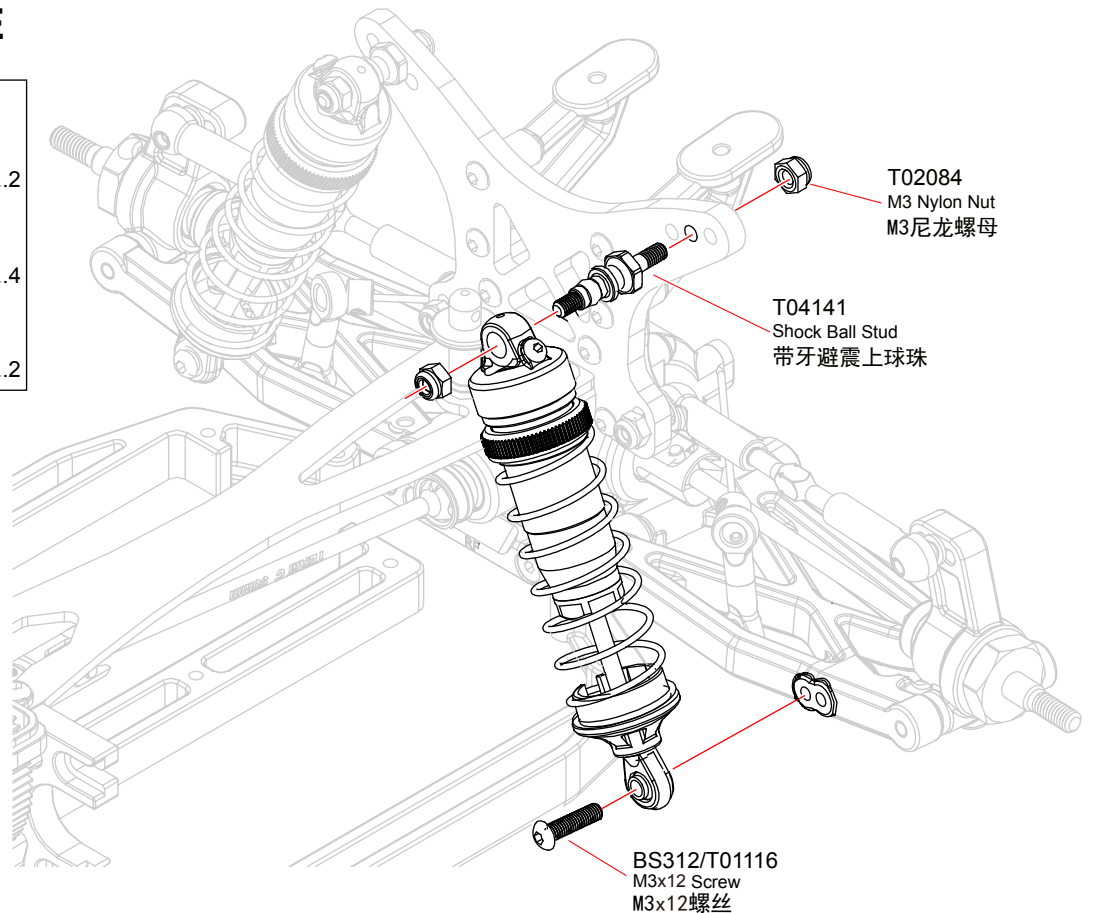
T04041 Shock Ball Stud  
带牙避震上球珠



T02084 M3 Nylon Nut  
M3尼龙螺母



BS312/T01116 M3x12 Screw  
M3x12螺丝



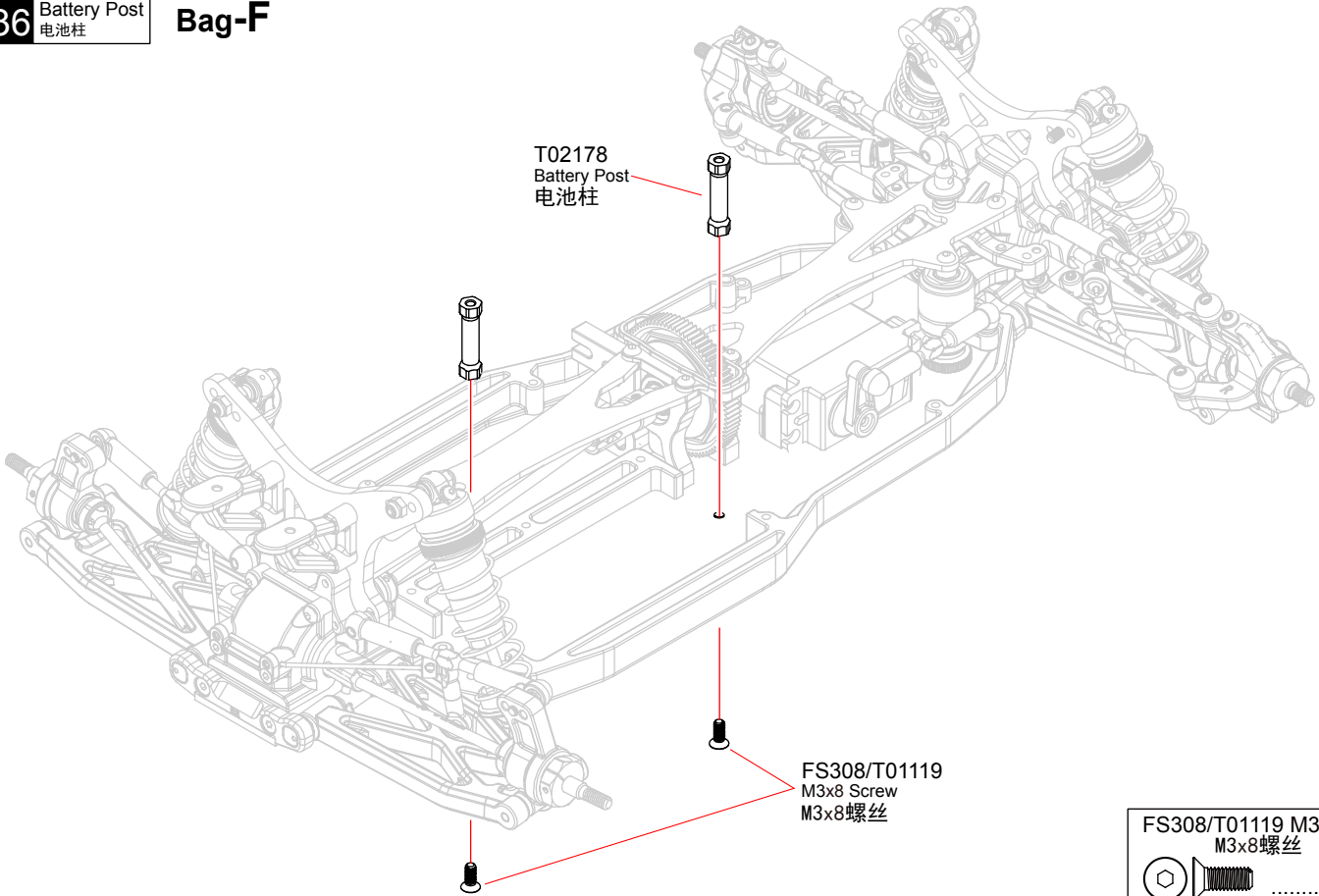
T02084  
M3 Nylon Nut  
M3尼龙螺母

T04141  
Shock Ball Stud  
带牙避震上球珠

BS312/T01116  
M3x12 Screw  
M3x12螺丝

**36** Battery Post  
电池柱

**Bag-F**



T02178  
Battery Post  
电池柱

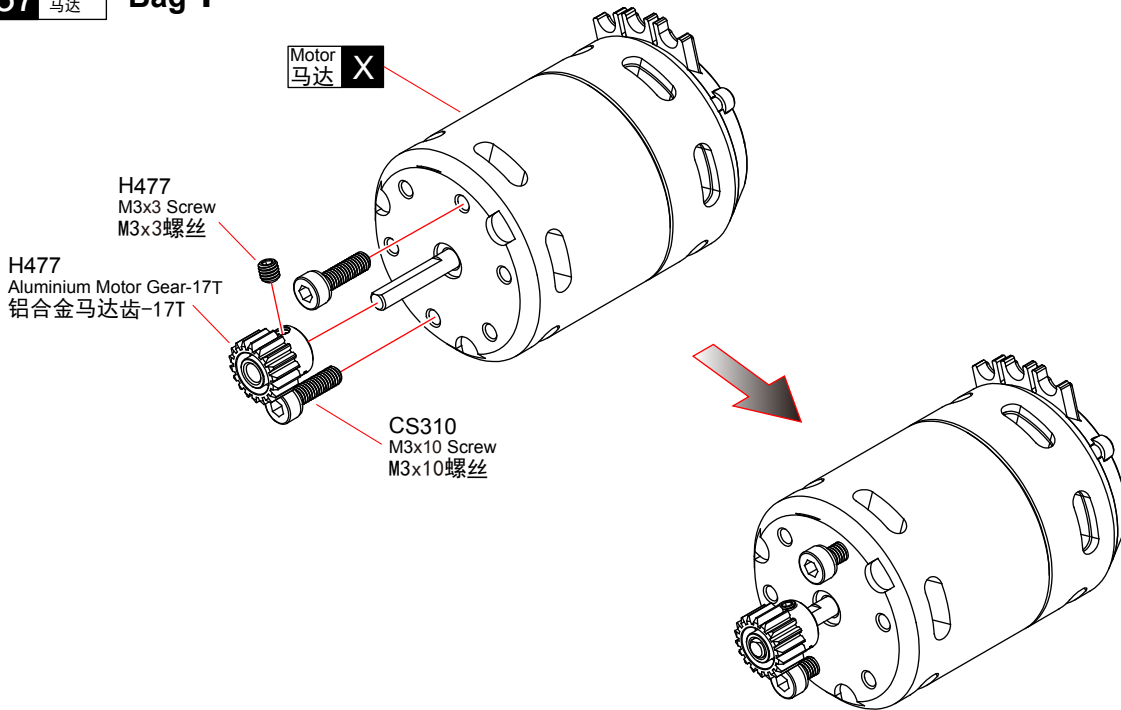
FS308/T01119  
M3x8 Screw  
M3x8螺丝

FS308/T01119 M3x8 Screw  
M3x8螺丝



**37** Motor  
马达

**Bag-F**



Motor  
马达 X

H477  
M3x3 Screw  
M3x3螺丝

H477  
Aluminium Motor Gear-17T  
铝合金马达齿-17T

CS310  
M3x10 Screw  
M3x10螺丝

H477 M3x3 Screw  
M3x3螺丝

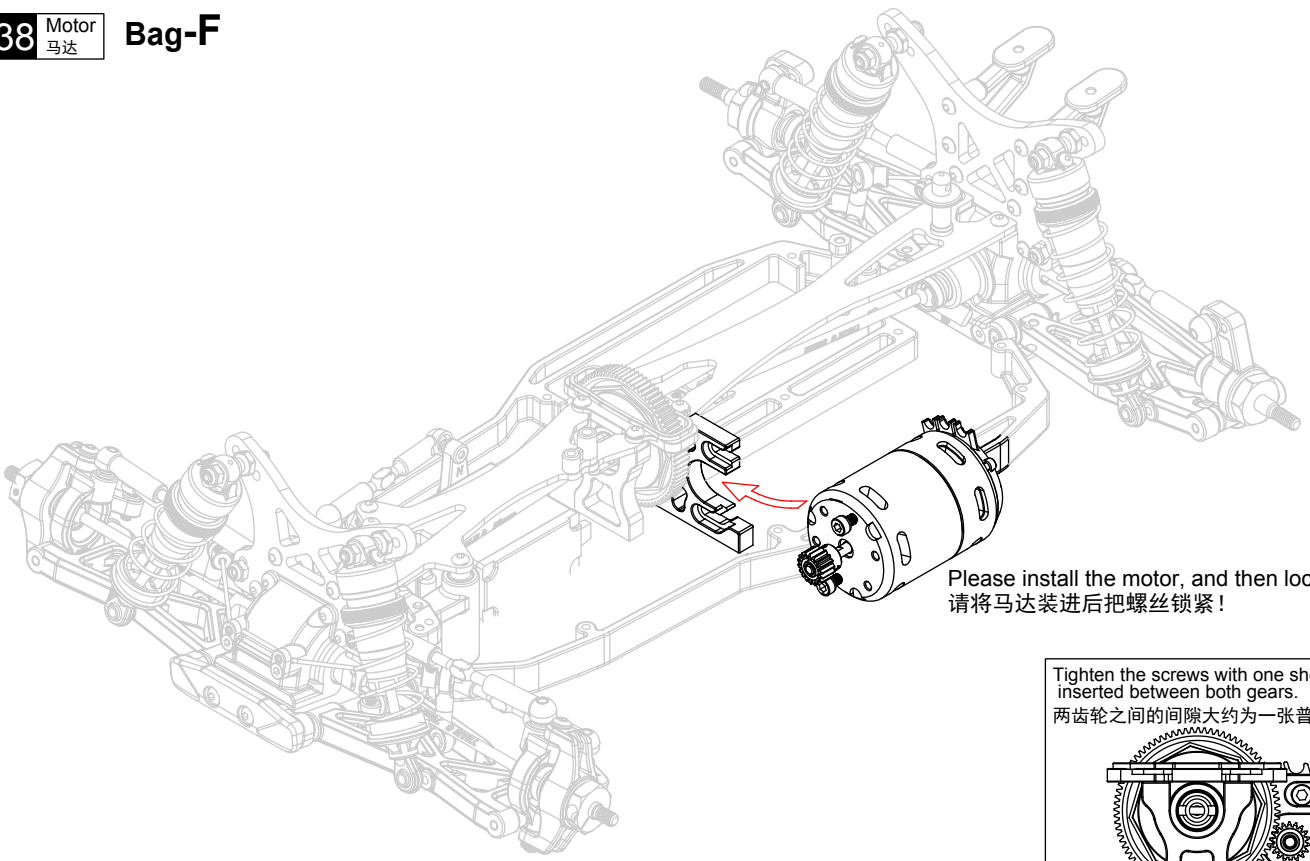
.....1

CS310 M3x10 Screw  
M3x10螺丝

.....2

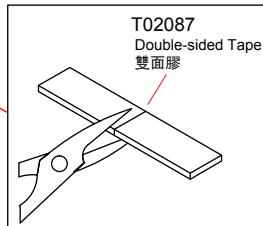
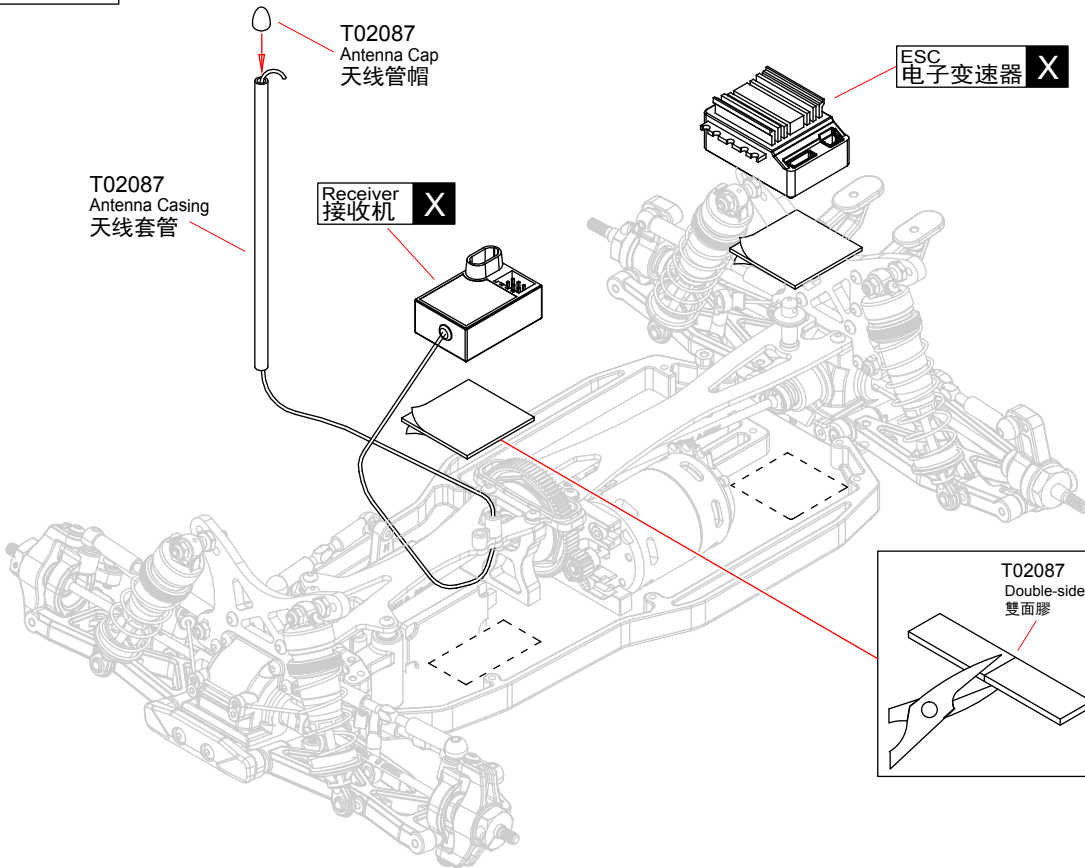
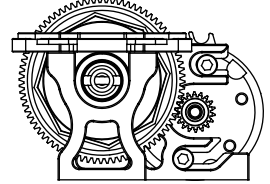
Gear Ratio 齿 轮 比	12.5	11.7	11.1	10.5	10.0
Pinion Gear 马 达 齿	16T	17T	18T	19T	20T

X Must be purchased separately  
需另購物品



Please install the motor, and then lock the screw.  
请将马达装进后把螺丝锁紧！

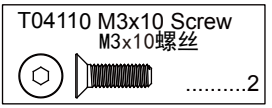
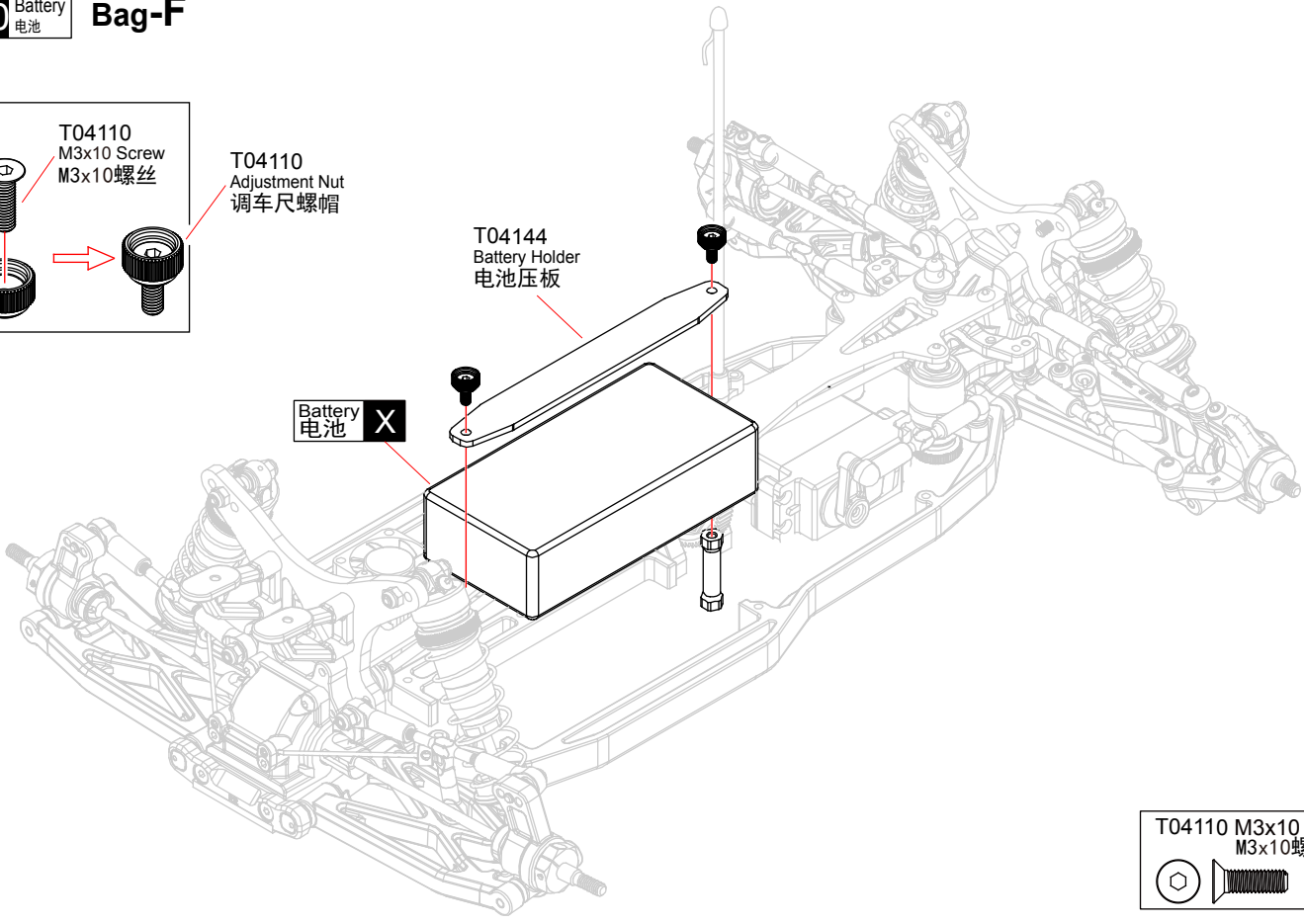
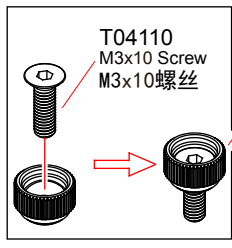
Tighten the screws with one sheet of paper  
inserted between both gears.  
两齿轮之间的间隙大约为一张普通纸的厚度。





**40** Battery  
电池

**Bag-F**

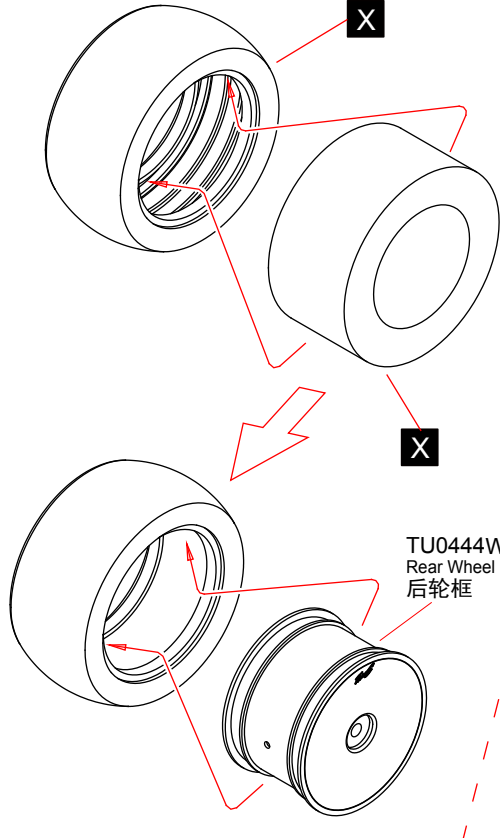
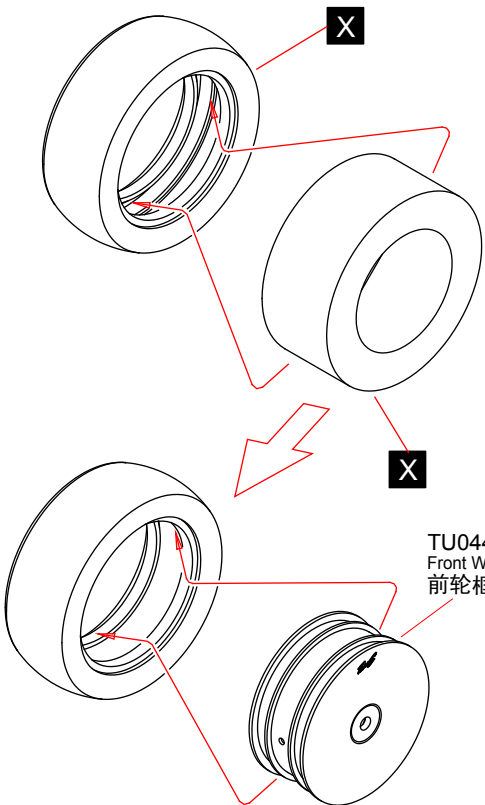


**41** Wheel  
轮胎

**Bag-G**

< Front > x2

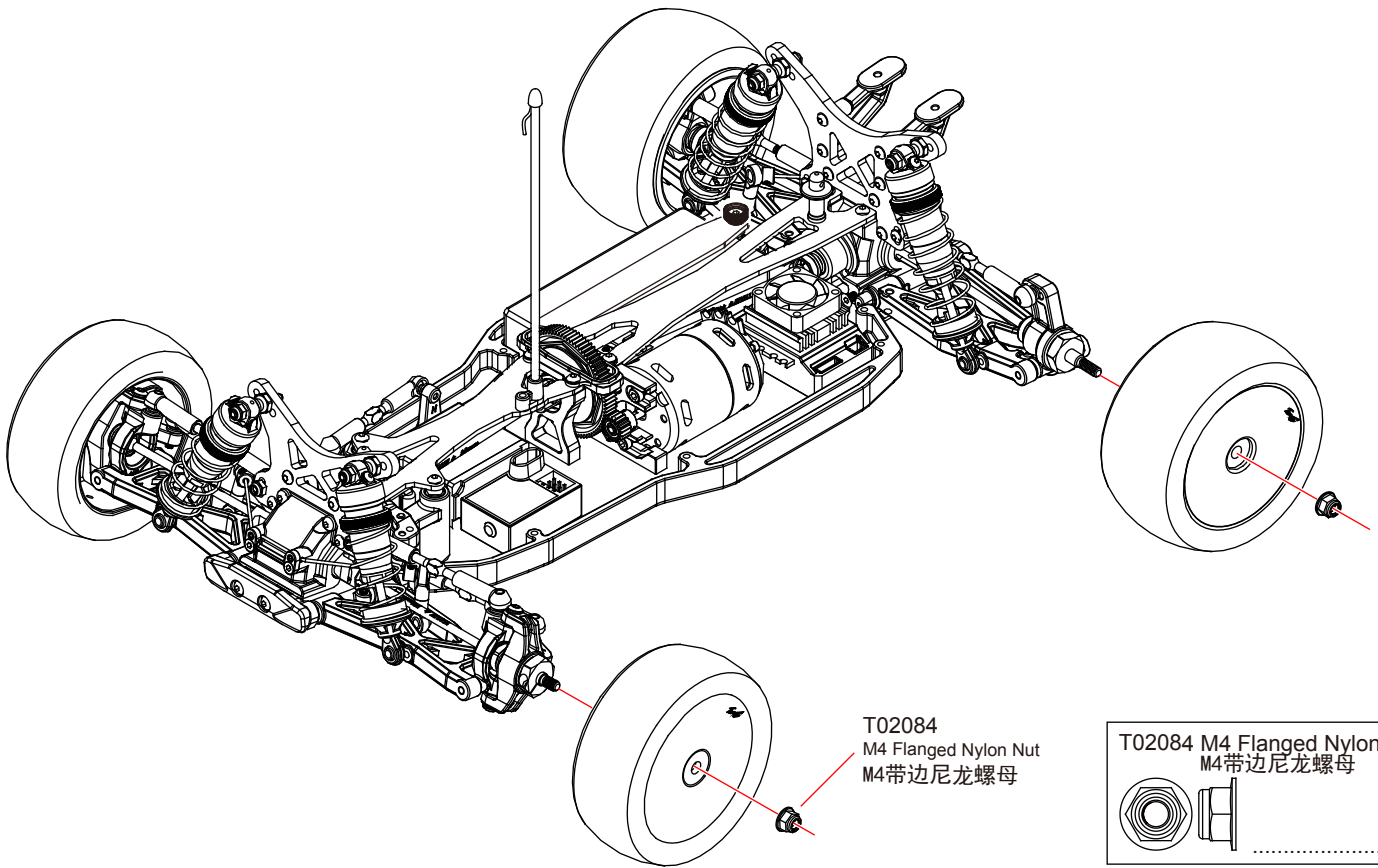
< Rear > x2



**x2** Assemble as many times as specified  
需組裝數量

**FR** Assemble both front and rear  
組裝前面和後面

**X** Must be purchased separately  
需另購物品



T02084  
M4 Flanged Nylon Nut  
M4带边尼龙螺母

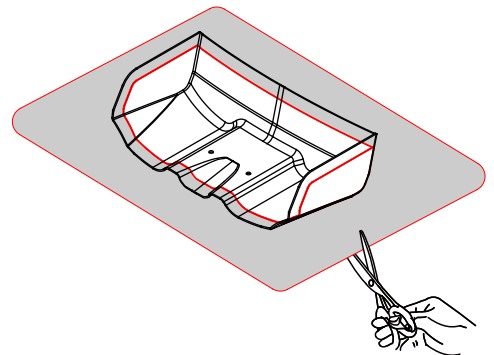
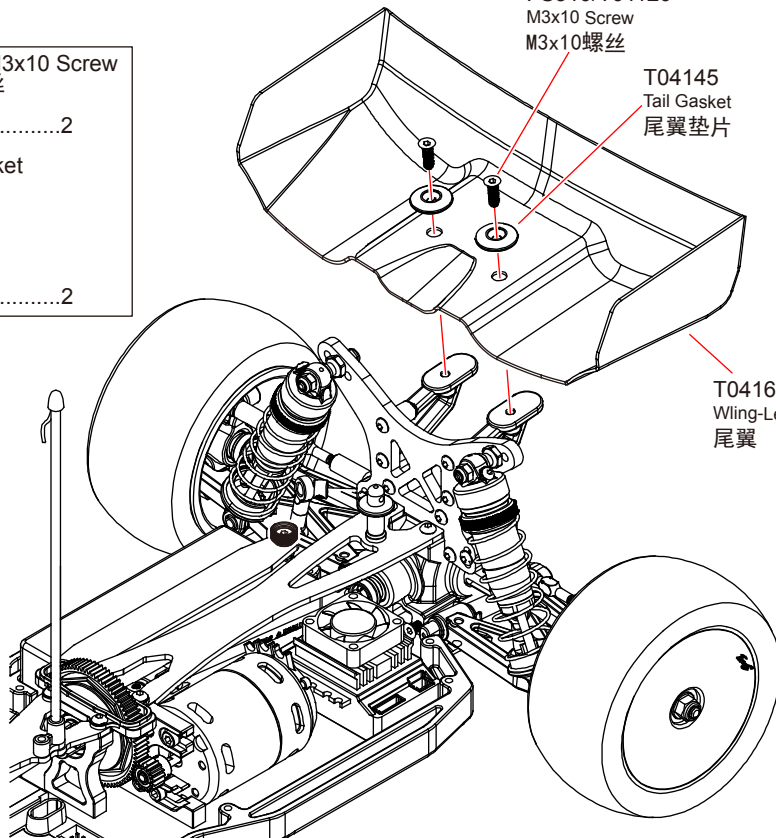
T02084 M4 Flanged Nylon Nut M4带边尼龙螺母	.....4
---	--------

FS310/T01120 M3x10 Screw M3x10螺丝	.....2
T04145 Tail Gasket 尾翼垫片	.....2

FS310/T01120  
M3x10 Screw  
M3x10螺丝

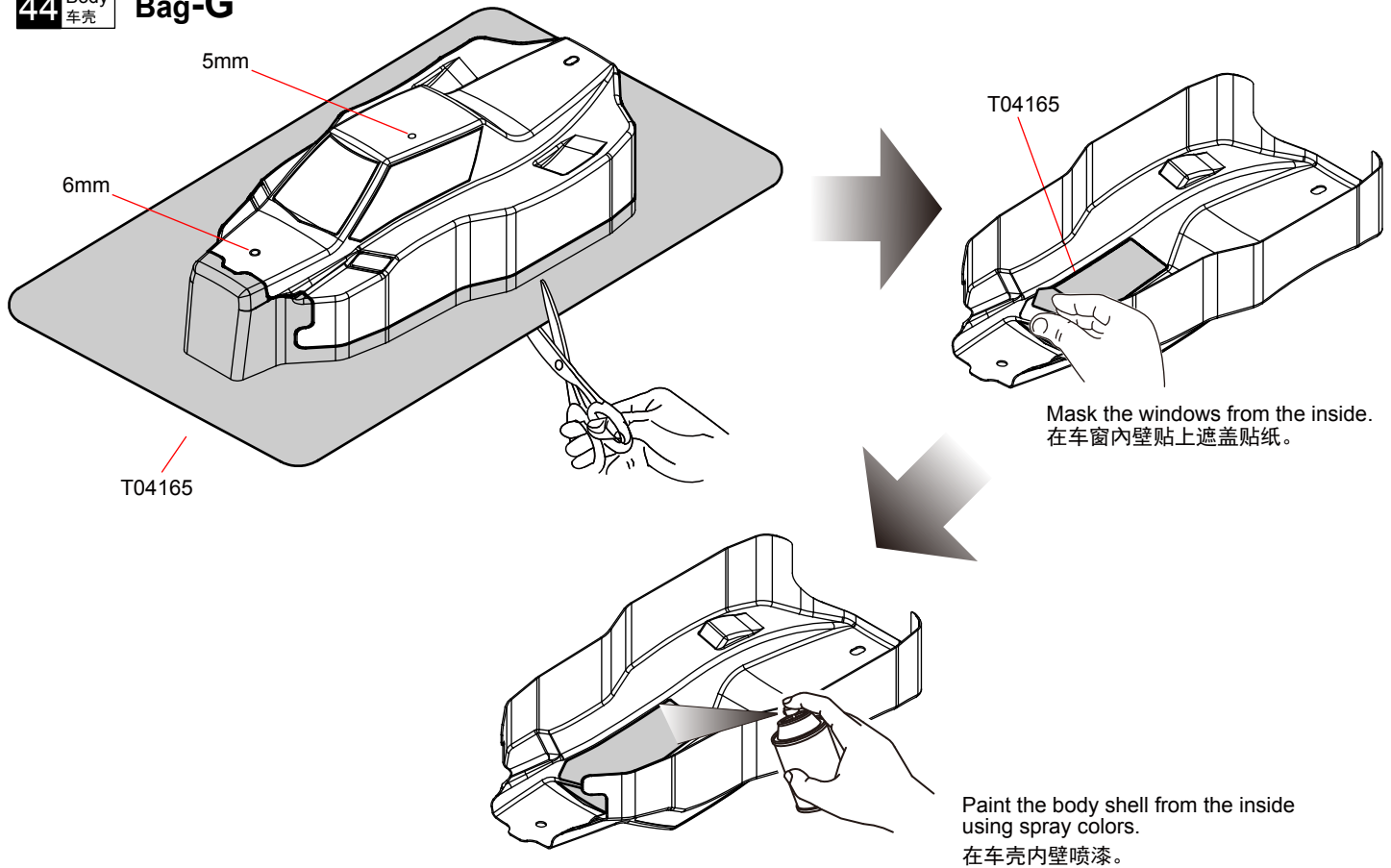
T04145  
Tail Gasket  
尾翼垫片

T04164  
Wing-Lexan  
尾翼



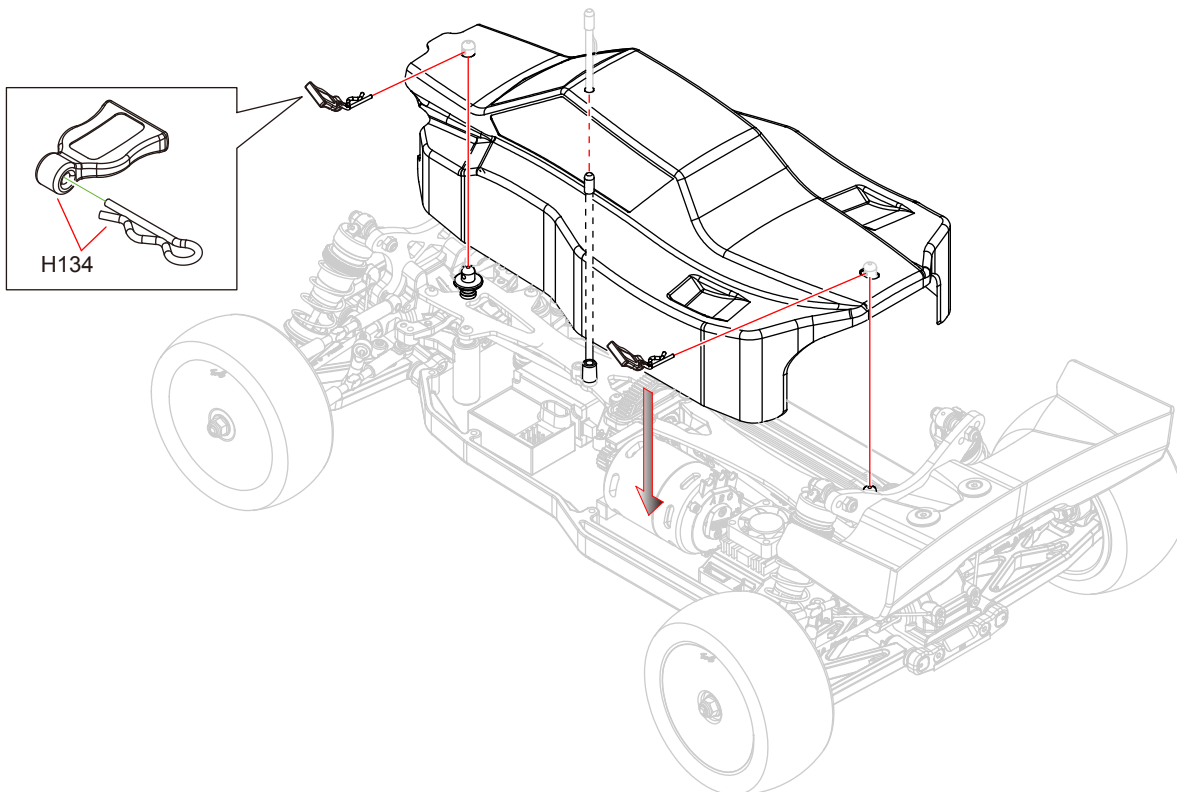
44 Body  
车壳

Bag-G



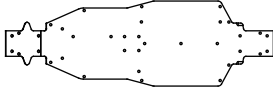


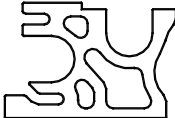



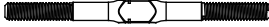



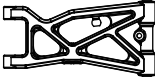

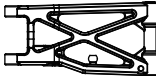
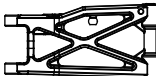


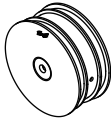


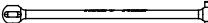




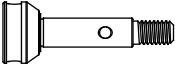
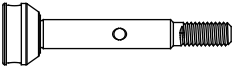
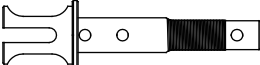

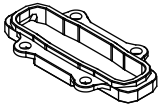







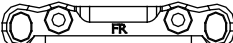
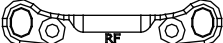
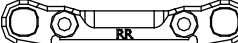
45 Body  
车壳

Bag-G

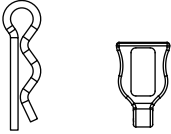


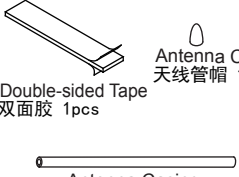

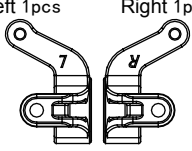
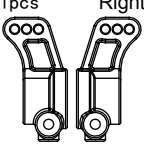
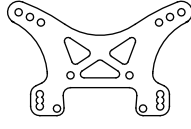
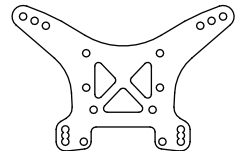
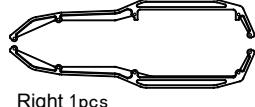
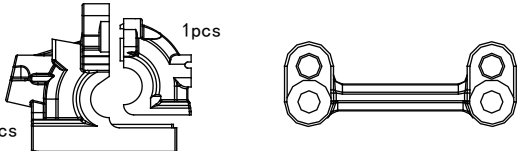
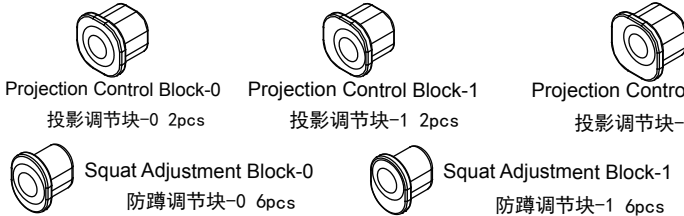
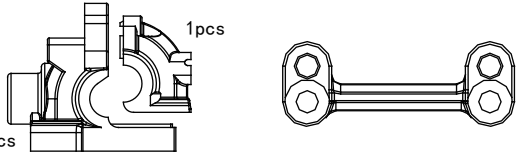
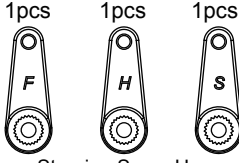
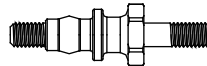
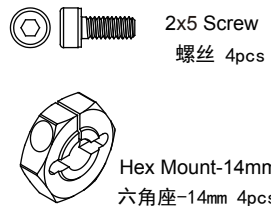
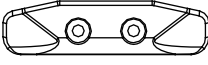


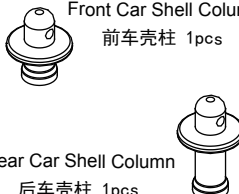
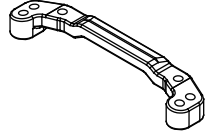
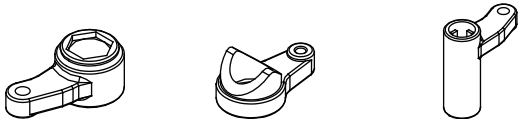
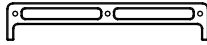
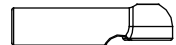










# Parts list for TM4 off-road buggy - 1 TM4配件包-1

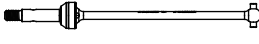
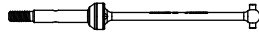
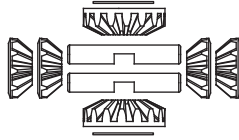
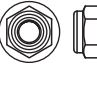


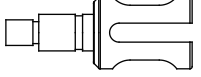

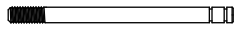

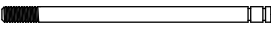
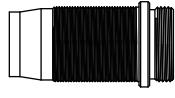

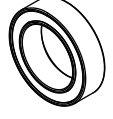
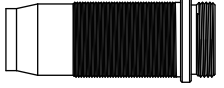







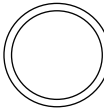
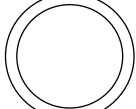
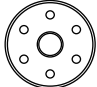
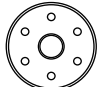
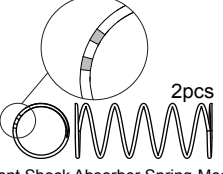
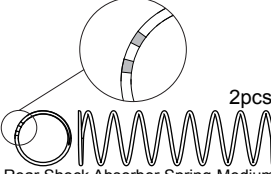


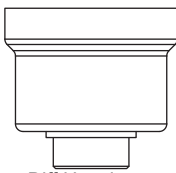





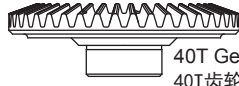


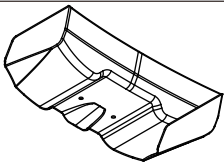
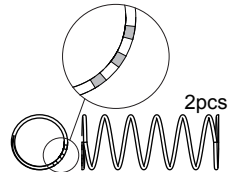
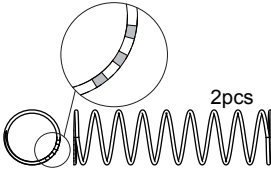
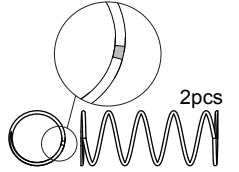
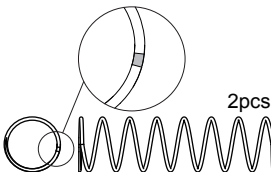
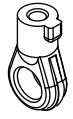


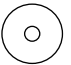
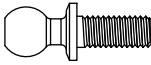
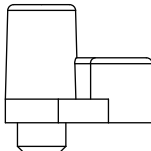
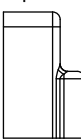
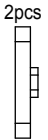
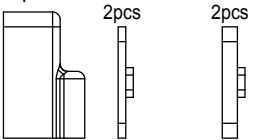

<p><b>T04100</b></p>  <p>Main Chassis 主底盘 1pcs</p>	<p><b>T04101</b></p>  <p>Front Top Deck 前二楼板 1pcs</p>	<p><b>T04102</b></p>  <p>Rear Top Deck 后二楼板 1pcs</p>	<p><b>T04103</b></p>  <p>Motor Mount 马达座 1pcs</p>	<p><b>T04104</b></p>  <p>Motor Mount-F 马达座-F 1pcs</p>
<p><b>T04105</b></p>  <p>3x32 Arm Pin 3x32摆臂轴 2pcs</p>	<p><b>T04106</b></p>  <p>3x33 Arm Pin 3x33摆臂轴 2pcs</p>	<p><b>T04107</b></p>  <p>3x45 Turnbuckle 3x45拉杆 2pcs</p>	<p><b>T04108</b></p>  <p>3x35 Turnbuckle 3x35拉杆 1pcs</p>	<p><b>T04109</b></p>  <p>M3x3 Screw 螺丝 2pcs</p> <p>Swaybar Ball Stud 防倾杆球头 2pcs</p>
<p><b>W463</b></p>  <p>4x6x3 Washer 垫片 2pcs</p>	<p><b>T04111</b></p>  <p>Left 1pcs</p>  <p>Right 1pcs</p> <p>Front Lower Arm 前下摆臂</p>	<p><b>T04112</b></p>  <p>Left 1pcs</p>  <p>Right 1pcs</p> <p>Rear Lower Arm 后下摆臂</p>	<p><b>T04113</b></p>  <p>Wheelbase Washer 轴距垫片 4pcs</p>	<p><b>T04113</b></p> <p>Left 1pcs</p>  <p>Right 1pcs</p> <p>C-type Holder 10 Degree C型座10° 1pcs</p>
<p><b>TU0442W</b></p>  <p>Front Wheel 前轮框 2pcs</p>	<p><b>TU0444W</b></p>  <p>Rear Wheel 后轮框 2pcs</p>	<p><b>T04114</b></p>  <p>62mm Rear CVD Bone 62mm后CVD骨 2pcs</p>	<p><b>T04115</b></p>  <p>74mm Front CVD Bone 74mm前CVD骨 2pcs</p>	<p><b>T04116</b></p>  <p>M3x8 Screw 螺丝 1pcs</p>  <p>85mm Center CVD 85mm中CVD 1pcs</p>
<p><b>T04117</b></p>  <p>M3x8 Screw 螺丝 1pcs</p>  <p>95mm Center CVD 95mm中CVD 1pcs</p>	<p><b>T04118</b></p>  <p>Front CVD Axle 前CVD轴 2pcs</p>	<p><b>T04119</b></p>  <p>Rear CVD Axle 后CVD轴 2pcs</p>	<p><b>T04120</b></p>  <p>Slipper Shaft 扭限轴 1pcs</p>	<p><b>T04121</b></p>  <p>Slipper Spring 扭限弹簧 1pcs</p>
<p><b>T04122</b></p>  <p>Center Diff Cover 中差上顶板 1pcs</p>	<p><b>T04123</b></p>  <p>Center Diff Connecting Cup 中差接杯 1pcs</p>	<p><b>T04124</b></p>  <p>Servo Saver Body 缓冲筒身 1pcs</p>  <p>Buffer Prop Adjusting Nut 缓冲支柱调整螺帽 1pcs</p>	<p><b>T04125</b></p>  <p>Steering Buffer Spring 转向缓冲弹簧 1pcs</p>  <p>M3x3 Screw 螺丝 1pcs</p> <p>Slipper Nut 扭限调整环 1pcs</p>	
<p><b>T04126</b></p>  <p>Spur Gear-80T 齿轮-80T 1pcs</p>	<p><b>T04127</b></p>  <p>Arm Mount-FF 摆臂固定座-FF 1pcs</p>	<p><b>T04128</b></p>  <p>Arm Mount-FR 摆臂固定座-FR 1pcs</p>	<p><b>T04129</b></p>  <p>Arm Mount-RF 摆臂固定座-RF 1pcs</p>	<p><b>T04130</b></p>  <p>Arm Mount-RR 摆臂固定座-RR 1pcs</p>

# Parts list for TM4 off-road buggy - 2 TM4配件包-2




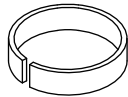
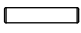
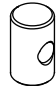
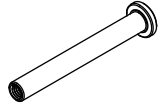
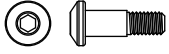
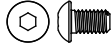
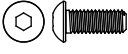
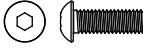


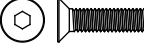
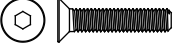
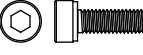



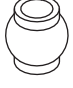

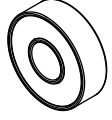



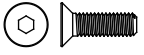
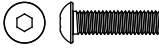



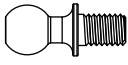
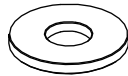
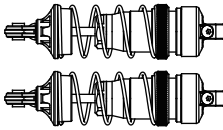
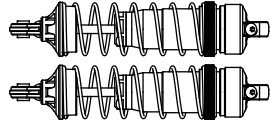
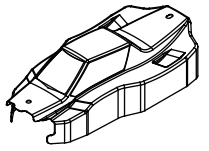
<p><b>H134</b></p>  <p>Small Clip 小号插销 6pcs</p> <p>Small Clip Holder 小号插销固定座 6pcs</p>	<p><b>T04131</b></p>  <p>Slipper Clutch Pad 八角扭限摩擦片 2pcs</p>	<p><b>T04132</b></p>  <p>Slipper Hub Set-A 扭限盘-A 1pcs</p> <p>Slipper Hub Set-B 扭限盘-B 1pcs</p>	<p><b>T02087</b></p>  <p>Antenna Cap 天线管帽 1pcs</p> <p>Double-sided Tape 双面胶 1pcs</p> <p>Antenna Casing 天线套管 1pcs</p>	<p><b>W3551/T01014</b></p>  <p>3x5.5x1 Washer 垫片 6pcs</p>	
<p><b>T04133</b></p>  <p>Left 1pcs Right 1pcs</p> <p>Steering Arm 转向臂</p>	<p><b>T04134</b></p>  <p>Left 1pcs Right 1pcs</p> <p>Rear Hub 后轮座</p>	<p><b>T04135</b></p>  <p>Front Shock Tower 前避震器架 1pcs</p>	<p><b>T04136</b></p>  <p>Rear Shock Tower 后避震器架 1pcs</p>	<p><b>T04137</b></p>  <p>Left 1pcs Right 1pcs</p> <p>Side Panel 侧板</p>	
<p><b>T04138</b></p>  <p>1pcs 1pcs</p> <p>Front Gear-box 前齿轮箱</p> <p>Sway Bar Adjustment 防倾杆调整座 1pcs</p>	<p><b>T04139</b></p>  <p>Projection Control Block-0 投影调节块-0 2pcs</p> <p>Projection Control Block-1 投影调节块-1 2pcs</p> <p>Projection Control Block-2 投影调节块-2 2pcs</p> <p>Squat Adjustment Block-0 防蹲调节块-0 6pcs</p> <p>Squat Adjustment Block-1 防蹲调节块-1 6pcs</p>				
<p><b>T04140</b></p>  <p>1pcs 1pcs</p> <p>Rear Gear-box 后齿轮箱</p> <p>Sway Bar Adjustment 防倾杆调整座 1pcs</p>	<p><b>T04006</b></p>  <p>1pcs 1pcs 1pcs</p> <p>Steering Servo Horn 转向伺服臂 1pcs</p>	<p><b>T04141</b></p>  <p>Shock Ball Stud 带牙避震器上球珠 4pcs</p>	<p><b>T04142</b></p>  <p>2x5 Screw 螺丝 4pcs</p> <p>Hex Mount-14mm 六角座-14mm 4pcs</p>		
<p><b>T04143</b></p>  <p>Anti-collision Plate 防撞板 1pcs</p>	<p><b>T04144</b></p>  <p>Battery Holder 电池压板 1pcs</p>	<p><b>T04145</b></p>  <p>Tail Gasket 尾翼垫片 2pcs</p> <p>Wing Mount 尾翼架 2pcs</p>	<p><b>T04146</b></p>  <p>Front Car Shell Column 前车壳柱 1pcs</p> <p>Rear Car Shell Column 后车壳柱 1pcs</p>	<p><b>T04147</b></p>  <p>Steering Ackerman Plate 缓冲连接板 1pcs</p>	
<p><b>T04148</b></p>  <p>Servo Saver Top 缓冲座上 1pcs</p> <p>Servo Saver Bottom 缓冲座下 1pcs</p> <p>Servo Saver Left 缓冲座左 1pcs</p>			<p><b>T04149</b></p>  <p>Central Reinforcing Bar 中央补强条 1pcs</p>	<p><b>T04014</b></p>  <p>4.8mm Ball End-Long 4.8mm球头座-长 6pcs</p>	<p><b>T04150</b></p>  <p>M3x10 Screw 螺丝 4pcs</p> <p>4.8mm Ball End-Short 4.8mm球头座-短 8pcs</p>
<p><b>T02029</b></p>  <p>4.8mm Ball End 4.8mm球头座 6pcs</p>	<p><b>T04151</b></p>  <p>1.1 1pcs</p> <p>Swaybar 防倾杆 2pcs</p>	<p><b>T04152</b></p>  <p>1.2 1pcs</p> <p>Swaybar 防倾杆 2pcs</p>	<p><b>T04153</b></p>  <p>1.3 1pcs</p> <p>Swaybar 防倾杆 2pcs</p>	<p><b>T04154</b></p>  <p>1.4 1pcs</p> <p>Swaybar 防倾杆 2pcs</p>	

# Parts list for TM4 off-road buggy - 3

# TM4配件包-3

<p><b>T04155</b></p>  <p>74mm Front CVD 74mm前CVD 2pcs</p>	<p><b>T04156</b></p>  <p>62mm Rear CVD 62mm后CVD 2pcs</p>	<p><b>TS4039</b></p>  <p>Diff Gear Set 差速齿轮组</p>	<p><b>T02084</b></p>  <p>M4 Flanged Nylon Nut 带边尼龙螺母 6pcs</p>  <p>M3 Nylon Nut 尼龙螺母 6pcs</p>	<p><b>TS4040</b></p>  <p>3.0 E-ring 3.0 E扣 2pcs</p>  <p>Diff Connecting Cup 差速连接杯 2pcs</p>
<p><b>TU0250-1</b></p>  <p>2.3 E-ring 2.3 E扣 4pcs</p>  <p>Front Shock Absorber Shaft 前避震器轴 2pcs</p>	<p><b>TU0250-2</b></p>  <p>2.3 E-ring 2.3 E扣 4pcs</p>  <p>Rear Shock Absorber Shaft 后避震器轴 2pcs</p>	<p><b>T04158</b></p>  <p>Front Shock Absorber Body 前避震器筒身 2pcs</p>	<p><b>B051004/T02100</b></p>  <p>5x10x4 Ball Bearing 轴承 6pcs</p>	<p><b>B101504/T02099</b></p>  <p>10x15x4 Ball Bearing 轴承 6pcs</p>
<p><b>T04159</b></p>  <p>Rear Shock Absorber Body 后避震器筒身 2pcs</p>	<p><b>TU0250-5</b></p>  <p>Below Spring Mount End 弹簧下座 4pcs</p>	<p><b>TU0250-8</b></p>  <p>1mm Washer-White 1mm压垫-白色 4pcs</p>  <p>1mm Washer-Black 1mm压垫-黑色 4pcs</p>  <p>2.5mm Washer-White 2.5mm压垫-白色 4pcs</p>  <p>Spring 弹簧 4pcs</p>  <p>9x1 O-Ring 9x1 O环 4pcs</p>  <p>2.8x1.9 O-Ring 2.8x1.9 O环 4pcs</p>  <p>12x1 O-Ring 12x1 O环 4pcs</p>  <p>14x1.5 O-Ring 14x1.5 O环 4pcs</p>		
<p><b>TU0250-7</b></p>  <p>Front Piston-Black 前活塞-黑色 2pcs</p>  <p>Rear Piston-White 后活塞-白色 2pcs</p>	<p><b>TU0250-10F</b></p>  <p>Front Shock Absorber Spring-Medium 前避震器弹簧-中 2pcs</p>	<p><b>TU0250-10R</b></p>  <p>Rear Shock Absorber Spring-Medium 后避震器弹簧-中 2pcs</p>	<p><b>T04160</b></p>  <p>Shock Below Cover 避震下盖 4pcs</p>	<p><b>T04161</b></p>  <p>Spring Adjuster 弹簧调节座 4pcs</p>
<p><b>T04040</b></p>  <p>Diff Housing 差速壳 1pcs</p>  <p>4.8x1.6 O-ring 4.8x1.6 O环 1pcs</p>  <p>10x12x0.2 Washer 10x12x0.2垫片 2pcs</p>  <p>M2.5x6 Screw M2.5x6螺丝 4pcs</p>  <p>Diff Pads 差速垫片 1pcs</p>	<p><b>T04041</b></p>  <p>16T Gear 16T齿轮 1pcs</p>  <p>40T Gear 40T齿轮 1pcs</p>  <p>10x12x0.2 Washer 10x12x0.2垫片 2pcs</p>  <p>4.8x1.6 O-ring 4.8x1.6 O环 1pcs</p>	<p><b>T04164</b></p>  <p>Wing-Lexan 尾翼 1pcs</p>		
<p><b>TU0262-F</b></p>  <p>Front Shock Absorber Spring-Soft 前避震器弹簧-软 2pcs</p>	<p><b>TU0262-R</b></p>  <p>Rear Shock Absorber Spring-Soft 后避震器弹簧-软 2pcs</p>	<p><b>TU0260-F</b></p>  <p>Front Shock Absorber Spring-Hard 前避震器弹簧-硬 2pcs</p>	<p><b>TU0260-R</b></p>  <p>Rear Shock Absorber Spring-Hard 后避震器弹簧-硬 2pcs</p>	<p><b>T02187</b></p>  <p>5.8 Ball End 球头座 4pcs</p>
<p><b>H477</b></p>  <p>Aluminium Motor Gear-17T 铝合金马达齿-17T 1pcs</p>  <p>3x3 Screw 1pcs</p>	<p><b>T02092</b></p>  <p>Ball Stud Sponge 球头海绵 2pcs</p>  <p>Ball Stud-Long 球头-长 2pcs</p>	<p><b>T04055</b></p>  <p>Antenna Pipe Mount 天线管座 1pcs</p>	<p><b>T04005</b></p>  <p>1mm Spacer 2pcs</p>  <p>2mm Spacer 2pcs</p>  <p>Servo Mount 伺服机座</p>	<p><b>T02178</b></p>  <p>Battery Post 电池柱 2pcs</p>

# Parts list for TM4 off-road buggy - 4 TM4配件包-4

<p><b>TU0266-7</b></p>  <p>Below Spring Mount end-Plastic 弹簧下座-尼龙 4pcs</p>  <p>Shock Absorber Top cover-Plastic 避震器上盖-尼龙 4pcs</p>  <p>M2.5x4 Screw M2.5x4螺丝 4pcs</p>	<p><b>T04022</b></p>  <p>Spring Buckle 弹簧扣 1pcs</p>	<p><b>T01057</b></p>  <p>2x9.8 pin 钢针 4pcs</p>  <p>CVD Shaft CVD轴 4pcs</p>	<p><b>T04157</b></p>  <p>Servo Saver Post 缓冲柱 2pcs</p>	<p><b>T04038</b></p>  <p>M3 Screw M3螺丝 6pcs</p>
<p><b>BS305/T08788</b></p>  <p>M3x5 Screw M3x5螺丝 8pcs</p>	<p><b>BS308/T01114</b></p>  <p>M3x8 Screw M3x8螺丝 10pcs</p>	<p><b>BS310/T01115</b></p>  <p>M3x10 Screw M3x10螺丝 10pcs</p>	<p><b>FS308/T01119</b></p>  <p>M3x8 Screw M3x8螺丝 10pcs</p>	<p><b>FS310/T01120</b></p>  <p>M3x10 Screw M3x10螺丝 10pcs</p>
<p><b>FS312/T08805</b></p>  <p>M3x12 Screw M3x12螺丝 8pcs</p>	<p><b>FS315/T08807</b></p>  <p>M3x15 Screw M3x15螺丝 10pcs</p>	<p><b>CS310</b></p>  <p>M3x10 Screw M3x10螺丝 10pcs</p>	<p><b>SS303/T01122</b></p>  <p>M3x3 Screw M3x3螺丝 10pcs</p>	<p><b>SS308/T01095</b></p>  <p>M3x8 Screw M3x8螺丝 10pcs</p>
<p><b>P210/T04032</b></p>  <p>2x9.8 Pin 2x9.8钢针 6pcs</p>	<p><b>T02062</b></p>  <p>5.8 Ball Stud 球头 4pcs</p>	<p><b>P208</b></p>  <p>2x7.8 Pin 2x7.8钢针 6pcs</p>	<p><b>B051304</b></p>  <p>5x13x4 Ball Bearing 5x13x4轴承 6pcs</p>	<p><b>B040803/T01074</b></p>  <p>4x8x3 Ball Bearing 4x8x3轴承 6pcs</p>
<p><b>W5802/86000</b></p>  <p>5x8x0.2 Washer 5x8x0.2垫片 6pcs</p>	<p><b>T04110</b></p>  <p>Adjustment Nut 调车尺螺帽 2pcs</p>  <p>M3x10 Screw M3x10螺丝 2pcs</p>	<p><b>BS312/T01116</b></p>  <p>M3x12 Screw M3x12螺丝 10pcs</p>	<p><b>FS2506</b></p>  <p>M2.5x6 Screw M2.5x6螺丝 10pcs</p>	<p><b>T04035</b></p>  <p>3x51 Arm Pin 3x51摆臂轴 2pcs</p>
<p><b>T02093</b></p>  <p>Ball Stud Sponge 球头海绵 5pcs</p>  <p>Ball Stud-Short 球头-短 5pcs</p>	<p><b>W3708/T02081</b></p>  <p>3x7x0.8 Washer 3x7x0.8垫片 10pcs</p>	<p><b>T04162</b></p>  <p>Front Shock Absorber 前避震器</p>	<p><b>T04163</b></p>  <p>Rear Shock Absorber 后避震器</p>	<p><b>T04165</b></p>  <p>Body-Lexan 车壳 1pcs</p>



### TS424



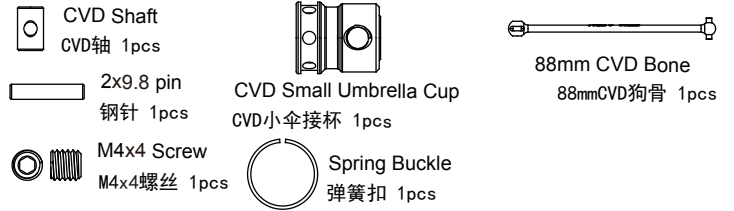
### TS425



### TU0451



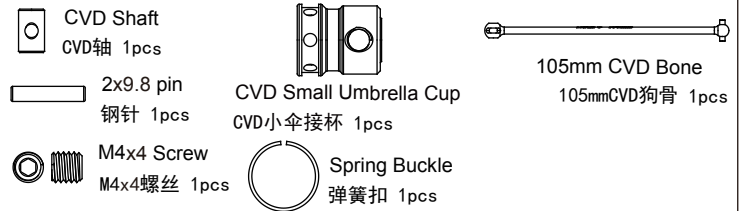
### TU0452



### TU0457



### TU0458



### TU0447



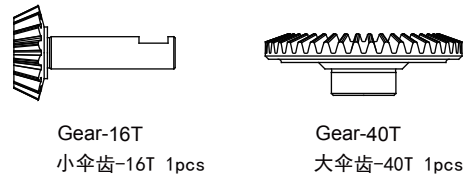
### TU0448



### TU0450



### TS413



Model	Center Front CVD	Center Rear CVD
TS4	TS424+TS413	TS425+TS413
TM4	TU0451+TS413	TU0452+TS413
TM4- Center Diff 中差	TU0457+TS413	TU0458+TS413
T4 V3	TU0451+TS413	TU0451+TS413
TC04	TU0447+TS413	TU0448+TS413
TR04PRO	TU0447+TS413	TU0450+TS413
TM2 V2		TU0456+TS413
TM2		TU0447+TS413
TM2 SC		TS425+TS413

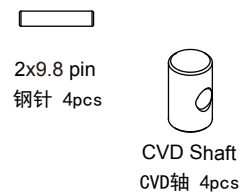
### TU0456



### T04022



### T01057



# TM4

## SETUP SHEET for the TeamC TM4

Driver \_\_\_\_\_

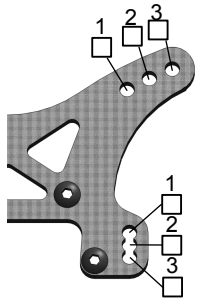
Track / City \_\_\_\_\_

Event \_\_\_\_\_ Date \_\_\_\_ / \_\_\_\_ / \_\_\_\_

### Conditions

- Smooth     Bumpy     Low traction     Med traction     High traction  
 Sandy     Soft dirt     Grass     Hard soil     Clay     Wet     Dry     Dusty     Other

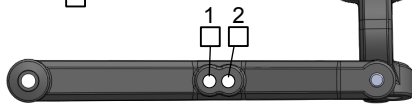
### Front Suspension Shock Mounting & Camber link



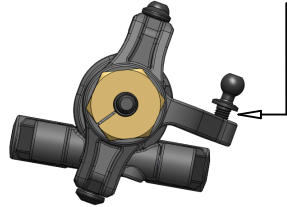
Anti-roll bar:  \_\_\_\_\_ mm

Camber \_\_\_\_\_ °

Washers  
\_\_\_\_\_ mm



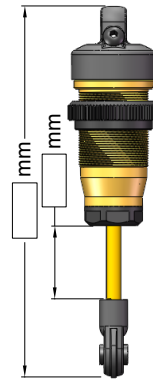
Toe-in (+)/Out (-) \_\_\_\_\_ °  
Bump Steep Spacer \_\_\_\_\_



# Washers  
\_\_\_\_\_ mm

Ride height \_\_\_\_\_

### Front Shocks



Spring (color)

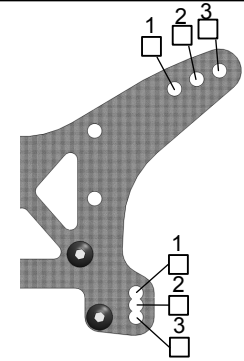
Black

\_\_\_\_\_

Oil \_\_\_\_\_ wt

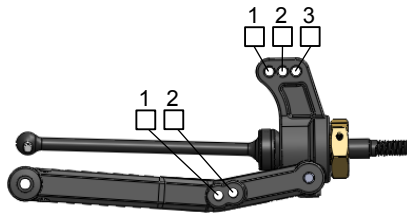
Piston # \_\_\_\_\_

### Rear Suspension Shock Mounting & Camber link



Anti-roll bar:  \_\_\_\_\_ mm

Camber \_\_\_\_\_ °



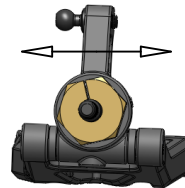
- FF
- FR
- RF
- RR

Wheelbase

Long

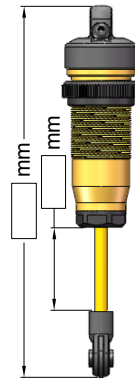
Medium

Short



Ride height \_\_\_\_\_

### Rear Shocks



Spring (color)

Black

\_\_\_\_\_

Oil \_\_\_\_\_ wt

Piston # \_\_\_\_\_

### Front Diff

Brand \_\_\_\_\_

Oil wt \_\_\_\_\_

### Rear Diff

Brand \_\_\_\_\_

Oil wt \_\_\_\_\_

### Front Tires & Wheels

Front Tires \_\_\_\_\_

Inserts \_\_\_\_\_ Wheels \_\_\_\_\_

### Rear Tires & Wheels

Rear Tires \_\_\_\_\_

Inserts \_\_\_\_\_ Wheels \_\_\_\_\_

### Batteries

Servo \_\_\_\_\_

Esc \_\_\_\_\_

Batteries \_\_\_\_\_

### Motor

Motor \_\_\_\_\_

Pinion/Spur \_\_\_\_\_ / \_\_\_\_\_

### Other

Wing \_\_\_\_\_

Wing Angle  4°  10°

*Team*  
*Team*  
[www.teamcracing.net](http://www.teamcracing.net)