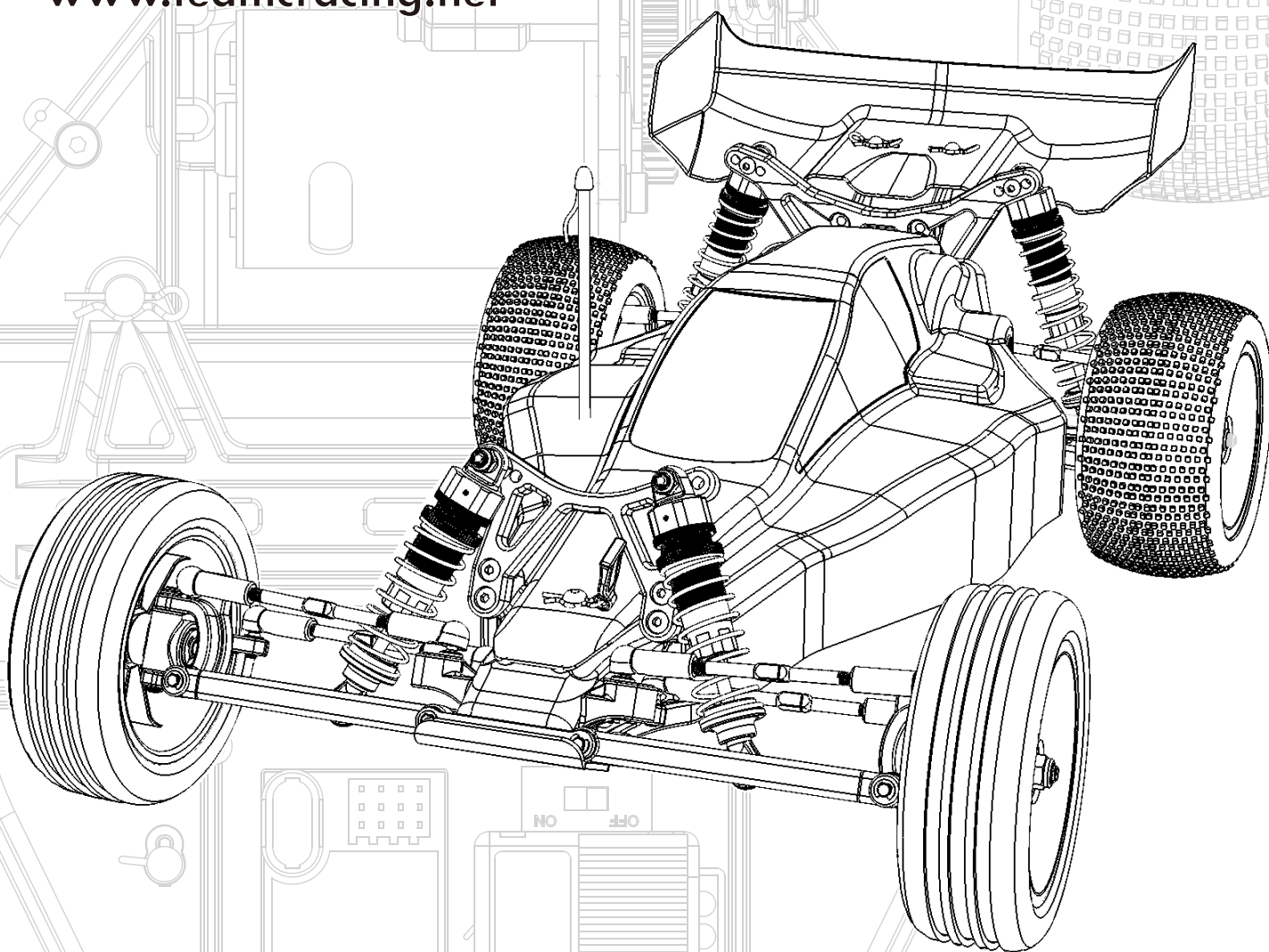


Team

www.teamcracing.net

TP02C



**1:10 SCALE RADIO CONTROLLED ELECTRIC
POWERED 2WD RACING BUGGY**

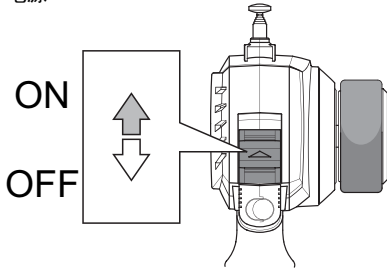
Dimensions 规格:

Length 长度.....	410mm
Width 宽度.....	250mm
Height 高度.....	150mm

Transmitter Preparation

调整遥控器

Power Switch
电源



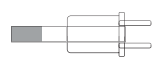
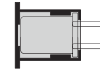
Antenna
天线

Extend the antenna to the maximum Length for best performance
天线拉的越长性能越好

27MHz Transmitter Crystal (TX)
27MHz 发射机晶片 (TX)

Transmitter crystal (TX)
发射机晶片

Receiver crystal (RX)
接收机晶片



The crystal can be replaced to change frequencies.
Note: You must also change receiver crystals!
Do not use AM crystals

更换晶片可以改变频率
注意：你也必须改变接收机晶片！

Battery Level Indicator
电池标准指示灯



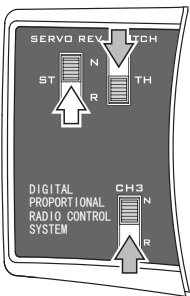
Good Batteries
标准的电池



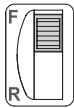
Low Batteries (Light Blinks)
低电的电池 (电灯闪烁)

Reverse Switch
反向开关

! Servo Factory Settings
! 工厂安装 (当转向/油门反向时调整用)



4 3ch Switch
第三动作开关

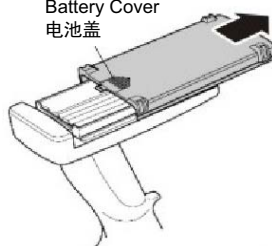


This switch is used for optional parts.
这个开关用于选择部分

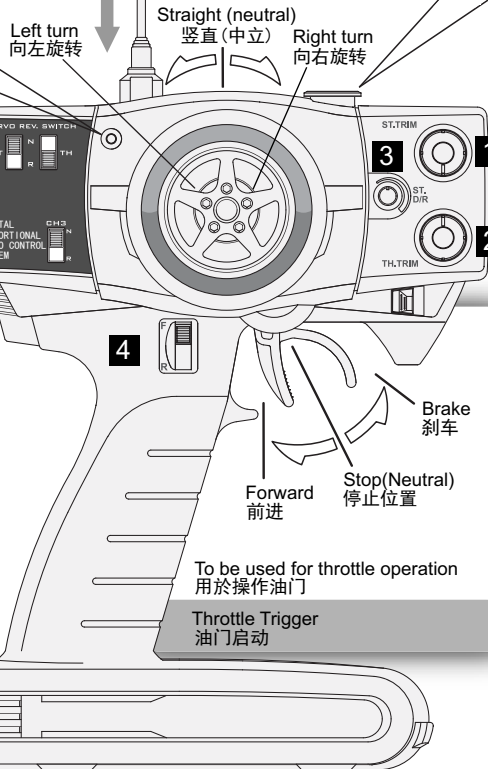
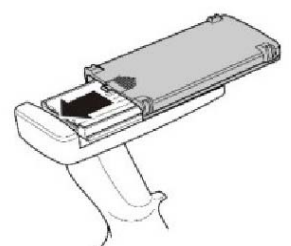
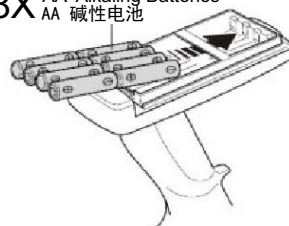
Transmitter Battery Installation
遥控器电池安装

Open battery cover at the bottom of transmitter.
Install batteries. Follow the direction of batteries
designated in the inside of battery box.
在遥控器的底部打开电池盖子，安装电池。
跟随电池的指示在电池盒里面指定

Battery Cover
电池盖



8X AA Alkaline Batteries
AA 碱性电池



1 Steering Trim
方向调整



To be used for trimming the steering
operation
用于调整转向中立点

2 Throttle Trim
油门/后退(刹车)调整



To be used for trimming the throttle
operation
用于调整油门中立点

3 Steering Dual Rate
转向舵角量



To be used to adjust steering servo throw
用来调整转向伺服

To be used for throttle operation
用于操作油门
Throttle Trigger
油门启动

Forward
前进

Stop (Neutral)
停止位置

Brake
刹车

Left turn
向左旋转

Straight (neutral)
竖直(中立)

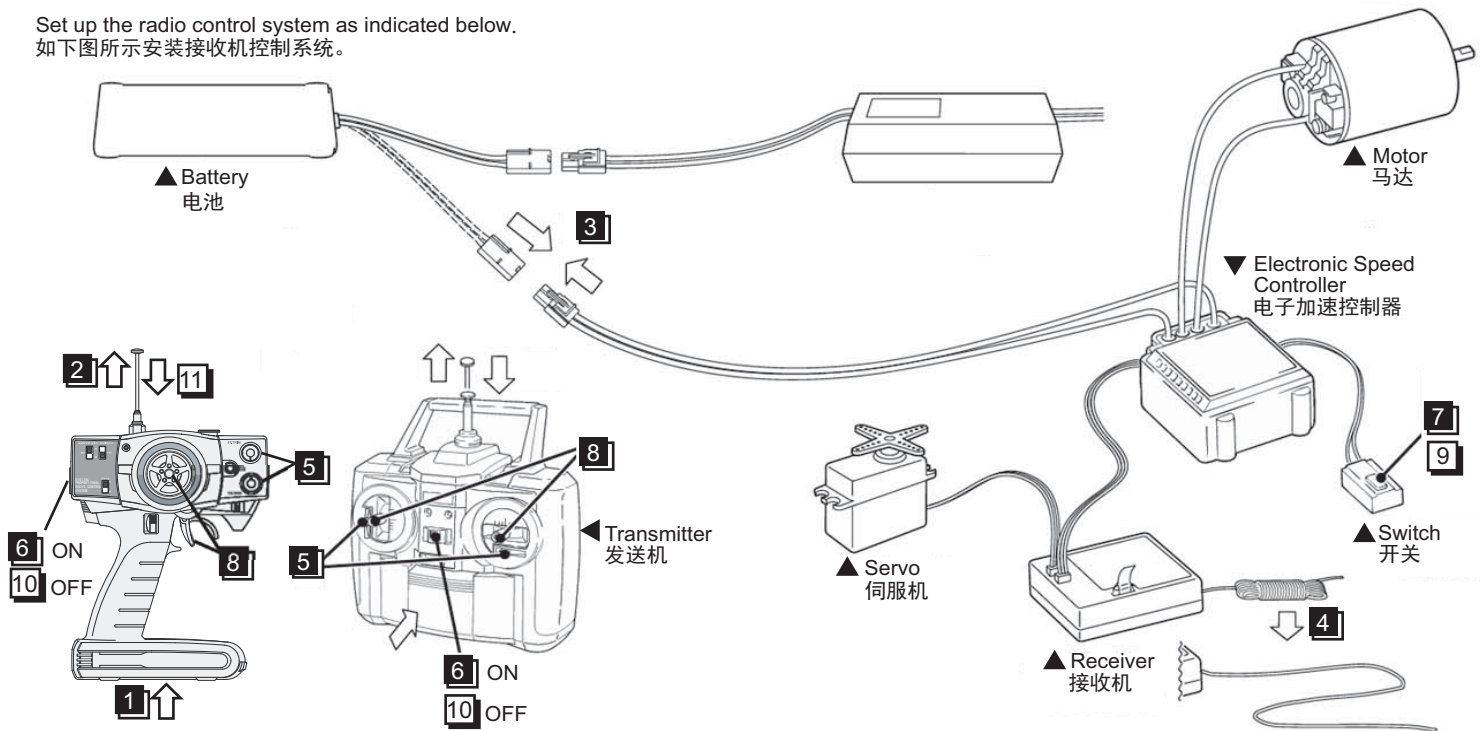
Right turn
向右旋转

Transmitter Preparation

调整遥控器

A new Ni-MH battery must be charged before it is used. Refer to the charger instruction manual for charging.
 在使用之前，一个新电池必须先充电。详情请参考充电器说明书。

Set up the radio control system as indicated below.
 如下图所示安装接收机控制系统。



● Start

- 1 Install batteries.(Transmitter)
- 2 Extend the antenna.(Transmitter)
- 3 Connect the battery
- 4 Extend the antenna.(Receiver)
- 5 Center the trims.
- 6 Switch on.(Transmitter)
- 7 Switch on.(Receiver)
- 8 Make sure the servos are in command.

● Finish

- 9 Switch off.(Receiver)
- 10 Switch off.(Transmitter)
- 11 Retract the antenna(Transmitter)

● 开始

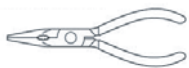
- 1 安装电池 (发送机)
- 2 拉出天线 (发送机)
- 3 连接电池
- 4 拉出天线 (接收机)
- 5 中心对整齐
- 6 开关 (发送机)
- 7 开关 (接收机)
- 8 确定控制伺服机

● 结束

- 9 关闭开关 (接收机)
- 10 关闭开关 (发送机)
- 11 收回天线 (发送机)

Tools required 组装需要的工具

- Needle Nose Pliers
尖嘴钳



- Awl
锥



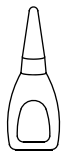
- Grease
润滑油



- Screw Cement
螺丝胶水



- H162
Instant Glue
瞬间胶水



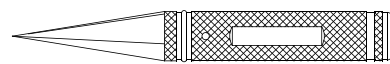
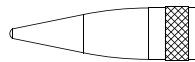
- Differential Grease
差速油



- Molybdenum Grease(Black)
钼油 (黑)



- H154
Body Reamer
车壳绞刀



No need to pre-drill precise holes
 (1mm to 15mm) can be drilled
 可以对预钻的孔准确的钻1mm-15mm

- Wire Cutters
钢丝钳



- Hex Wrench
六角扳手



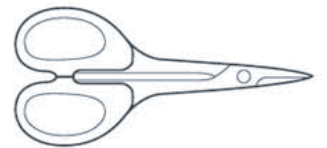
- Hex Wrench
十字套筒



- Sharp Hobby knife
美工刀

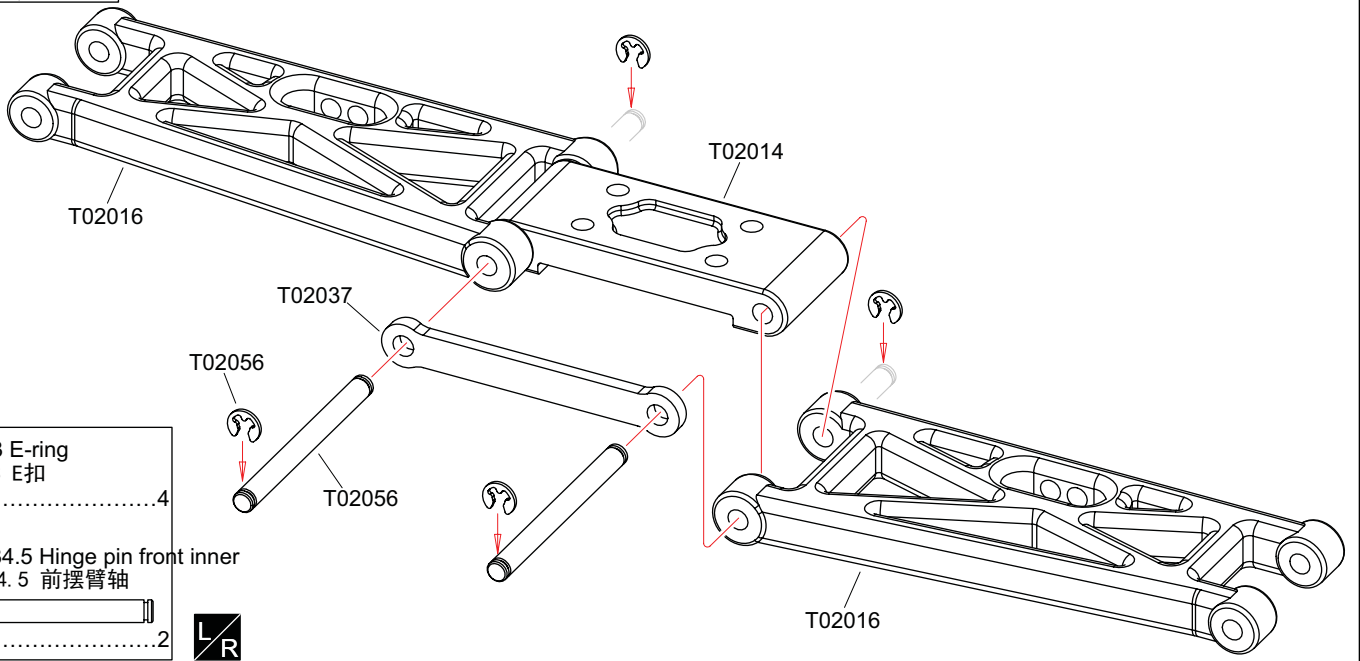


- H096
ROUND CUTTER
剪刀

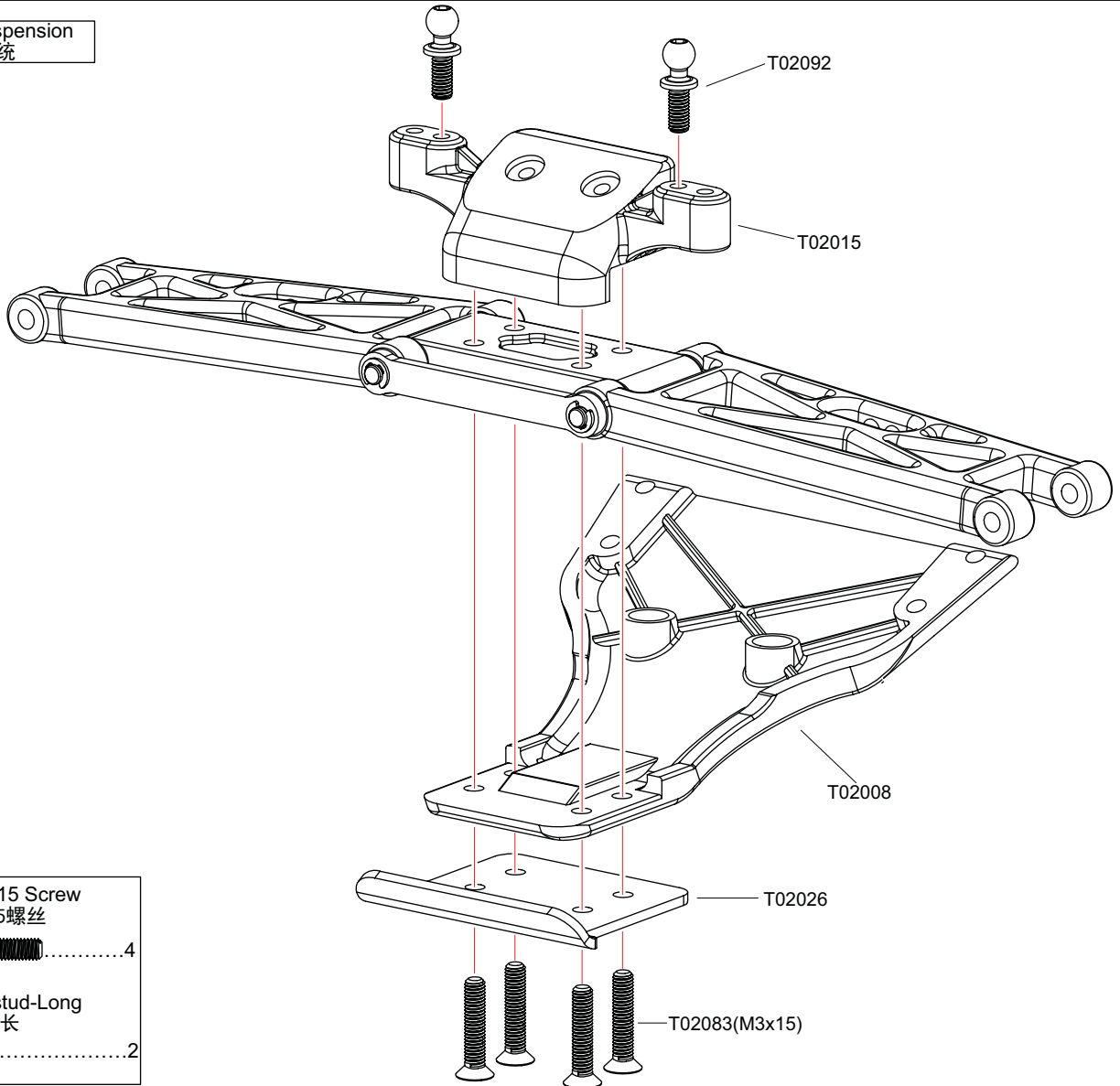


For trimming bodies!
 用于修剪车壳!

1 Front Suspension
前悬吊系统

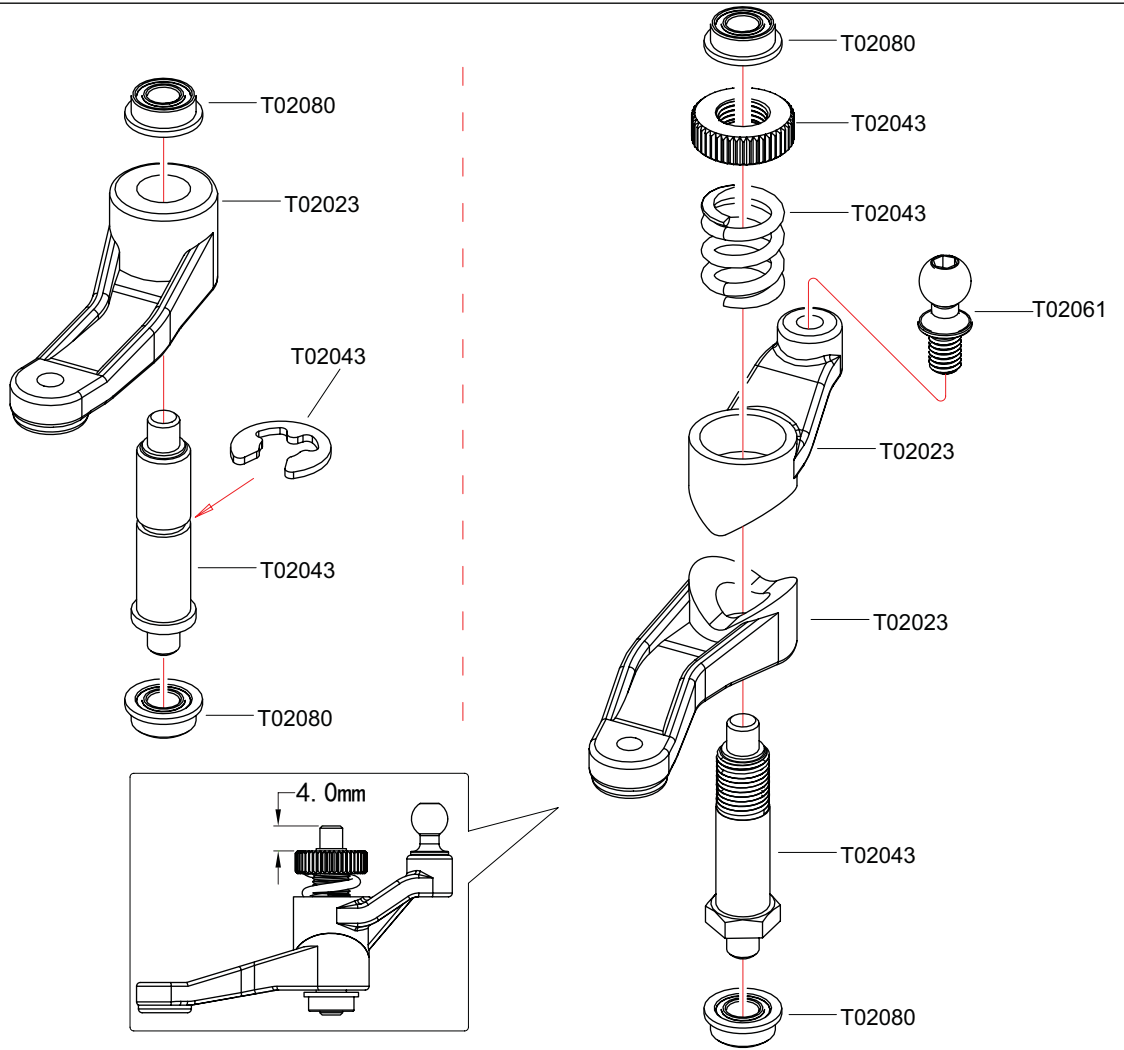


2 Front Suspension
前悬吊系统



L/R Assemble both Left and Right
组装左和右

3 Buffer
缓冲



T02043 4.0 E-ring
4.0 E扣



.....1

T02080 3x6x2.5 Ball Bearing
3x6x2.5 轴承



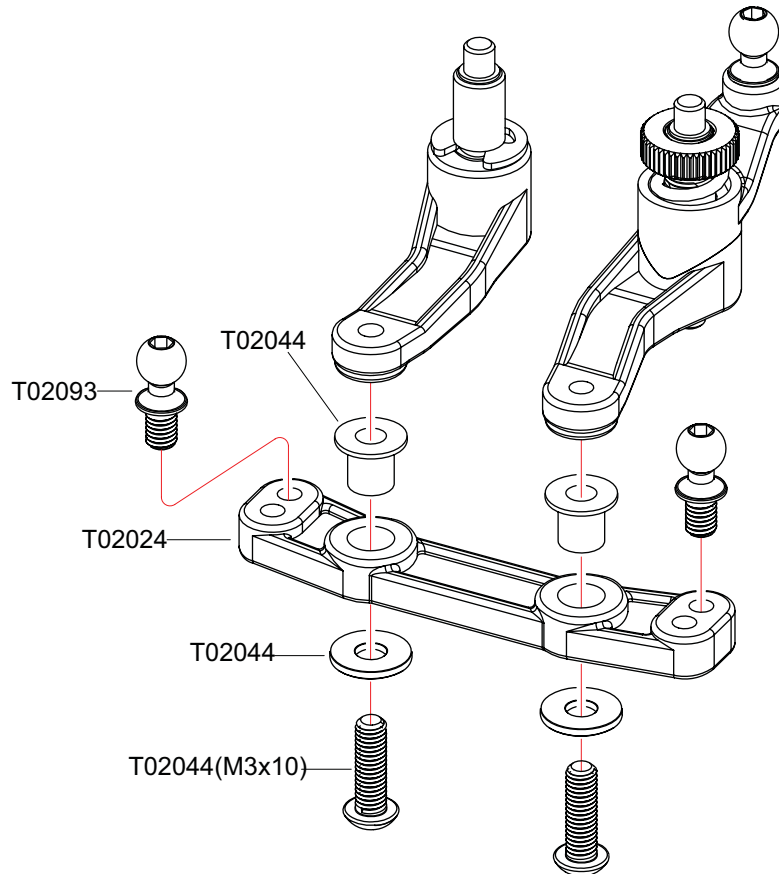
.....4

T02061 Ball stud-Silvery
球头-银色



.....1

4 Buffer
缓冲



T02044 4.5x5.4 Block Carrier
4.5x5.4轴套



.....2

T02044 M3x10 Screw
M3x10螺丝



.....2

T02093 Ball stud-Short
球头-短



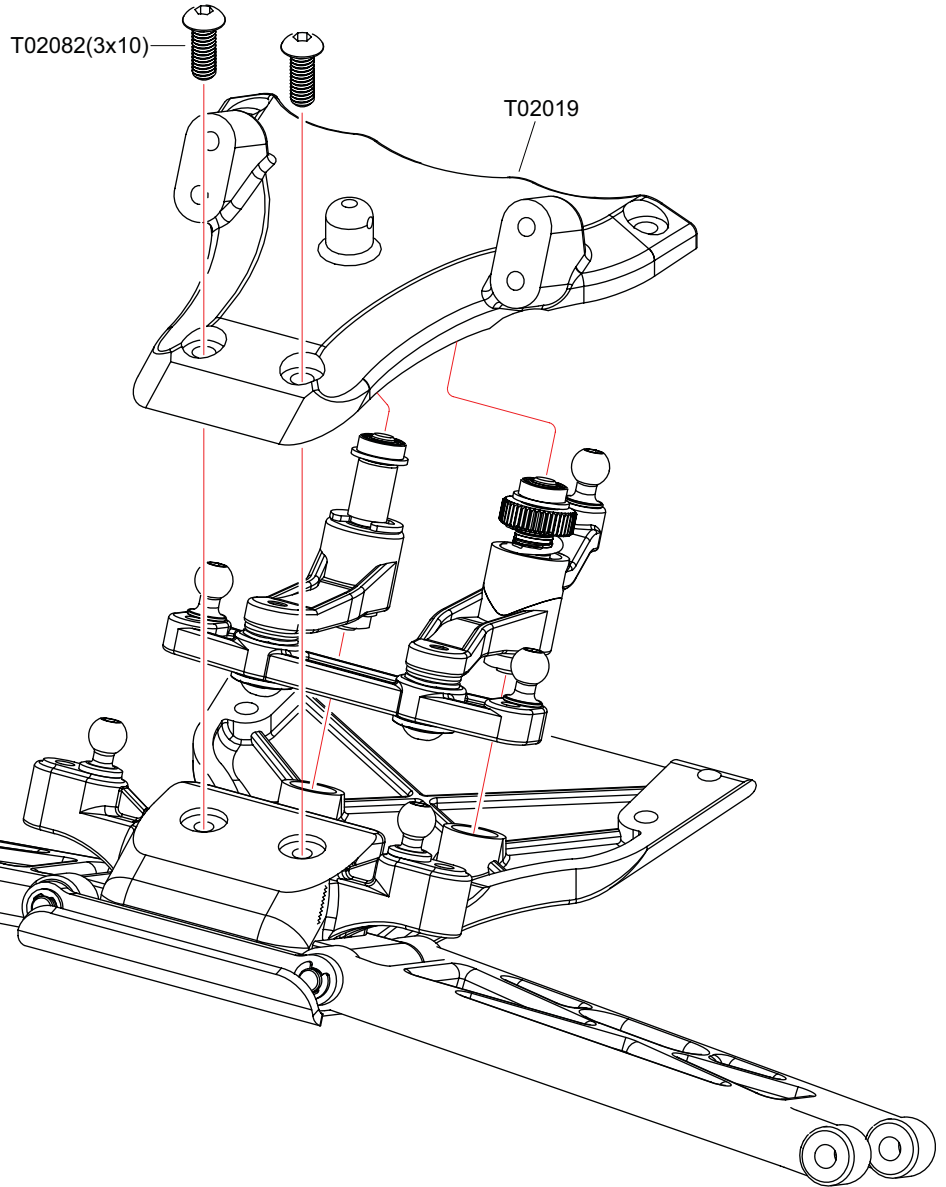
.....2

T02044 3x7x0.8 Washer
3x7x0.8垫片



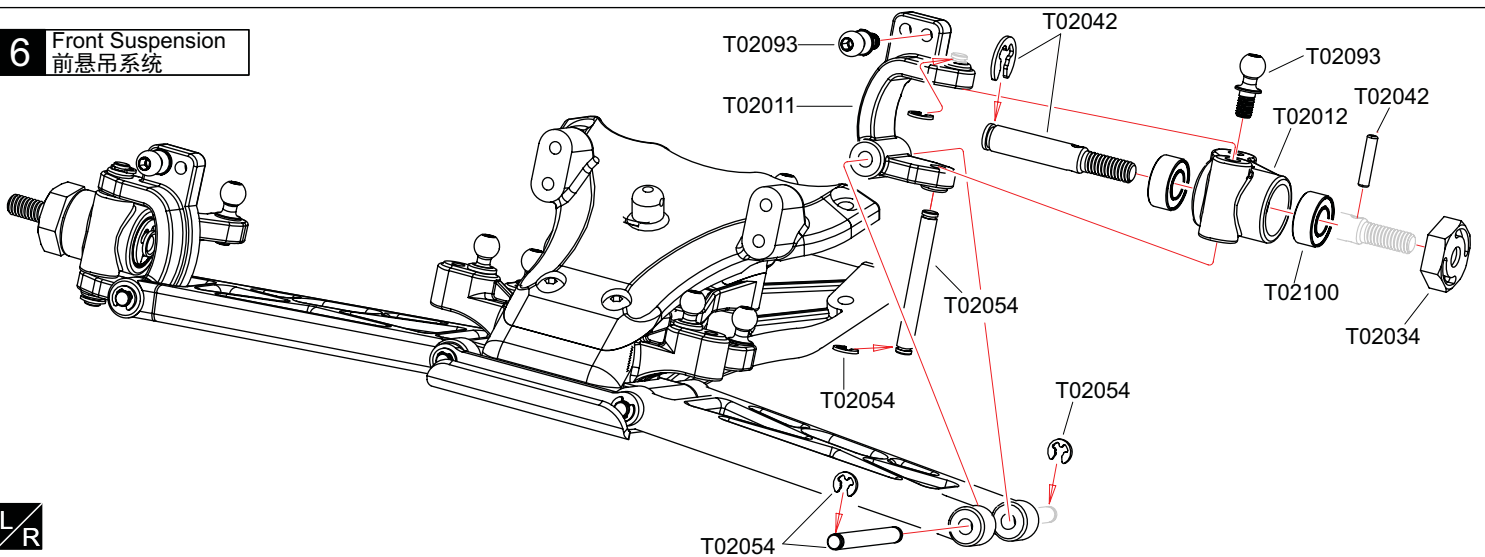
.....2

5 Front Suspension
前悬吊系统



T02082 M3x10 Screw
M3x10螺丝
.....2

6 Front Suspension
前悬吊系统

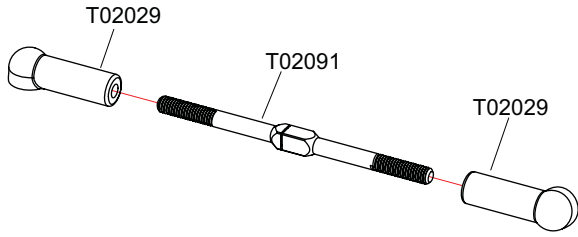


T02100 5x10x4 ball bearing
5x10x4轴承4
T02042 2x9.8 Shaft
2x9.8轴2
T02054 2.3 E-ring
2.3 E扣8
T02042 4.0 E-ring
4.0 E扣2
T02054 3x27.5 Hinge pin front outer
3x27.5前摆臂轴4
T02093 Ball stud - short
球头-短4



L/R Assemble both Left and Right
组装左和右

7 Front Suspension
前悬吊系统

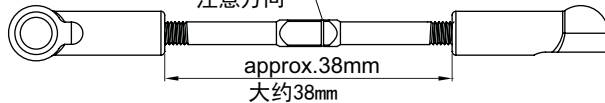


1:1 **x1**



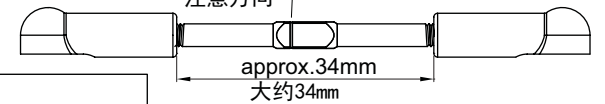
Front Upper(Right)
前上拉杆(右)

1:1 **x1**



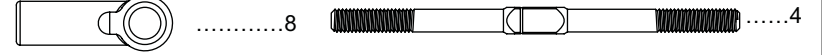
Front Upper (Left)
前上拉杆(左)

1:1 **x2**

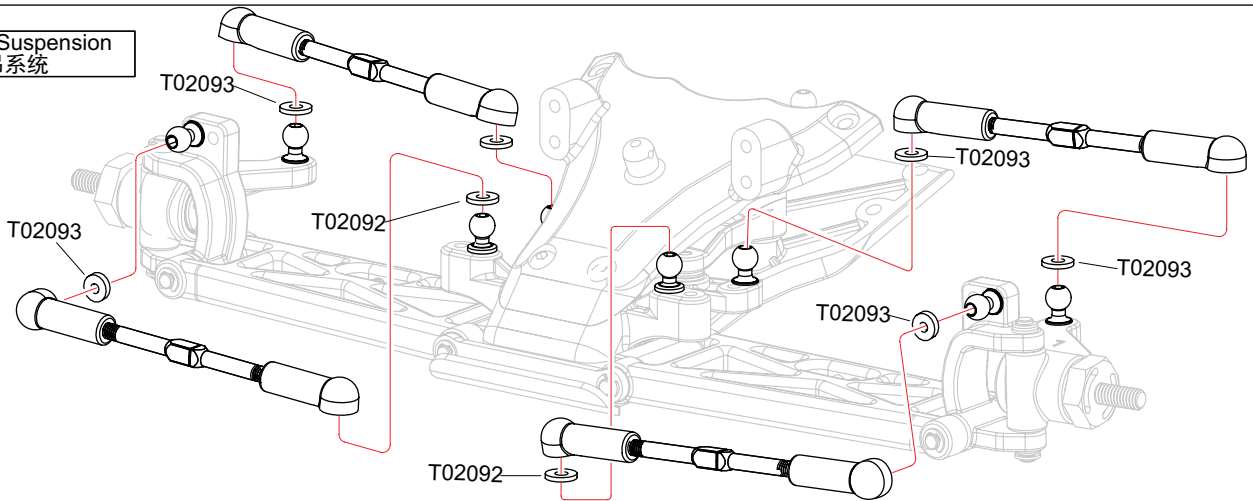


Steering Tip
转向拉杆

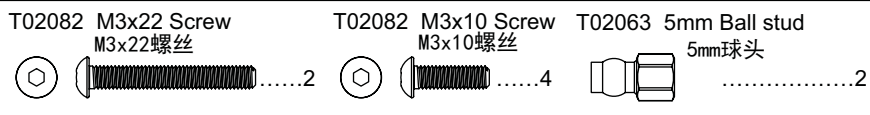
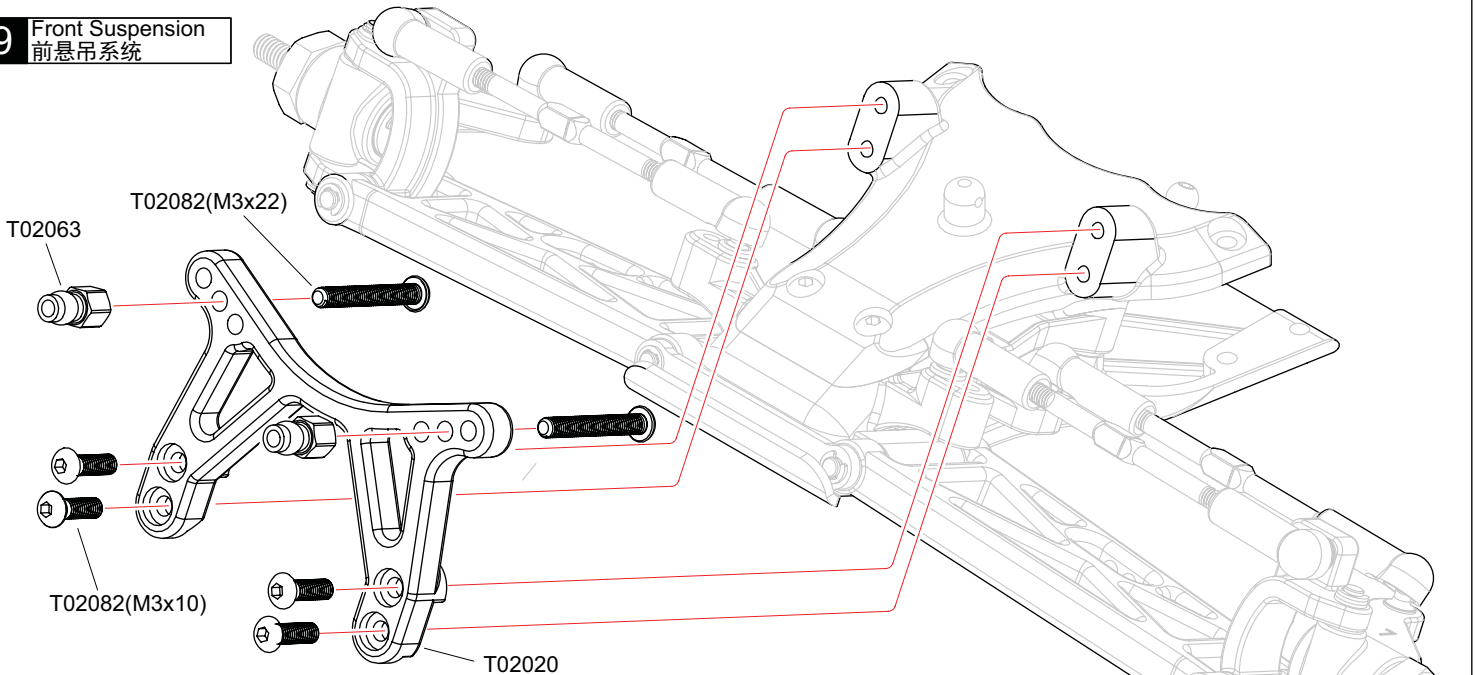
T02029 4.8mm Ball End(Long) 4.8球头座(长)
T02091 3x54 Turnbuckle 3x54拉杆



8 Front Suspension
前悬吊系统



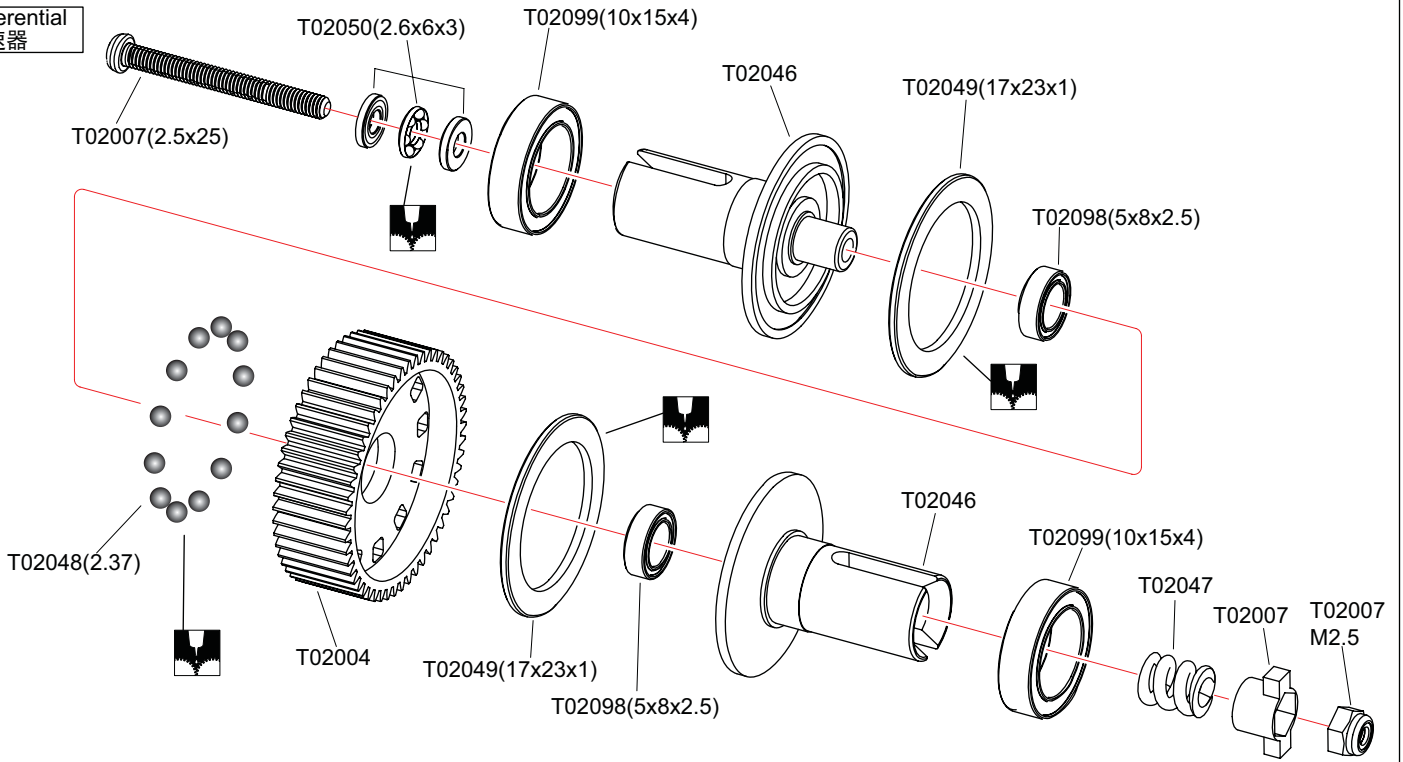
9 Front Suspension
前悬吊系统

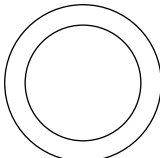
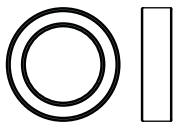






1:1 True-to-scale diagram
图形比例

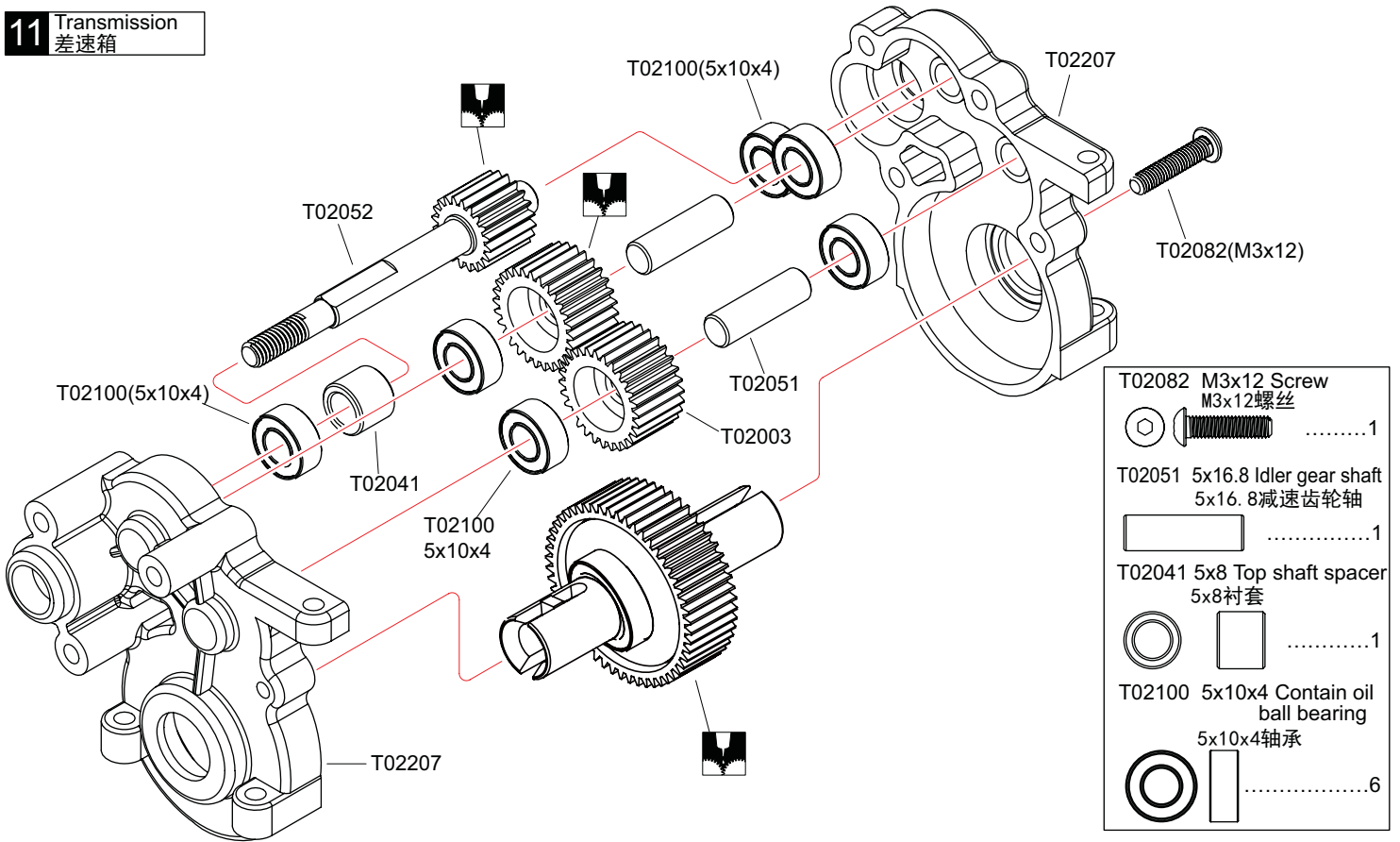
x2 Assemble as many times as specified
需组装数量

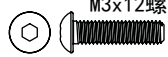
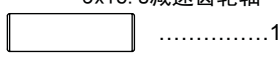


10 Differential
差速器



<p>T02049 17x23x1 Washer 17x23x1垫片</p> 2	<p>T02099 10x15x4 ball bearing 10x15x4轴承</p> 2	<p>T02098 5x8x2.5 ball bearing 5x8x2.5轴承</p> 2	<p>T02048 2.37mm Ball 2.37钢珠</p> 12	<p>T02007 M2.5 Nylon Nut M2.5尼龙螺母</p> 1	<p>T02007 M2.5x25 Screw M2.5x25螺丝</p> 1
---	--	---	--	--	--

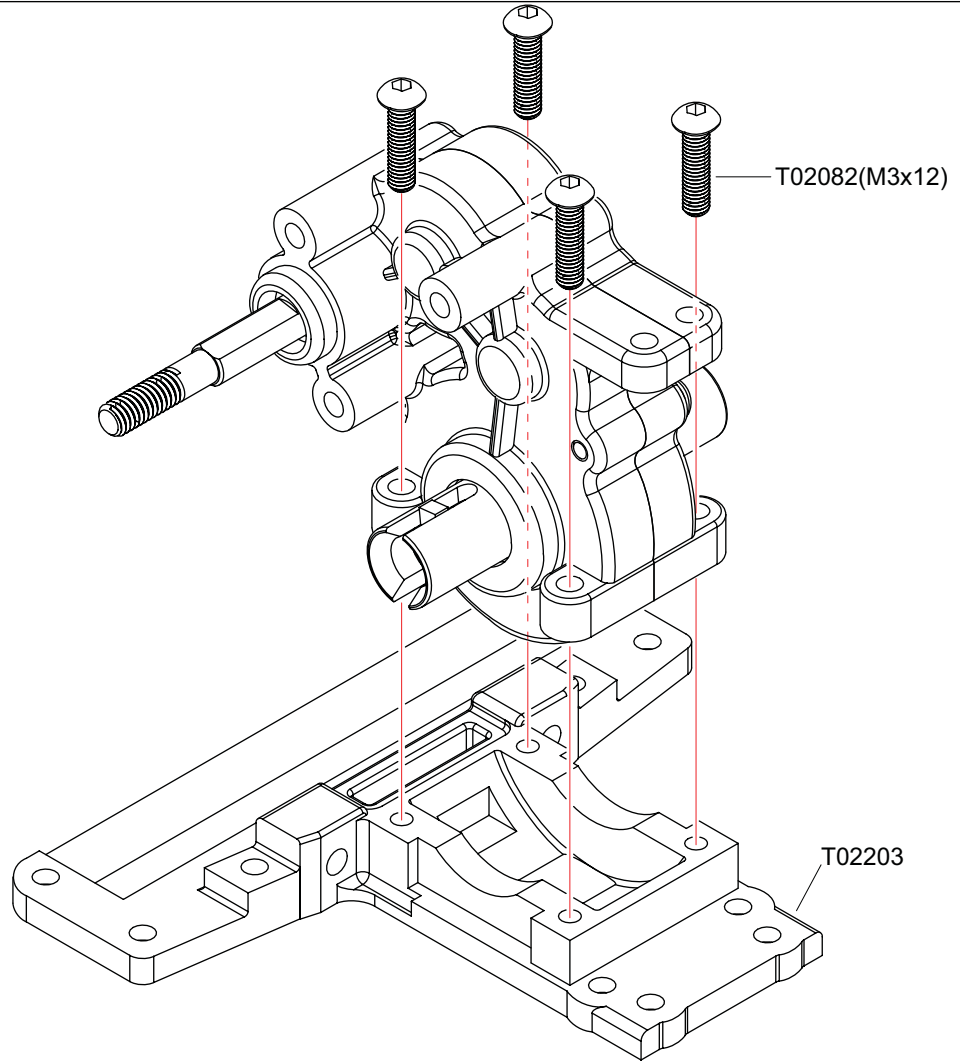
11 Transmission
差速箱



<p>T02082 M3x12 Screw M3x12螺丝</p> 1
<p>T02051 5x16.8 Idler gear shaft 5x16.8减速齿轮轴</p> 1
<p>T02041 5x8 Top shaft spacer 5x8衬套</p> 1
<p>T02100 5x10x4 ball bearing 5x10x4轴承</p> 6

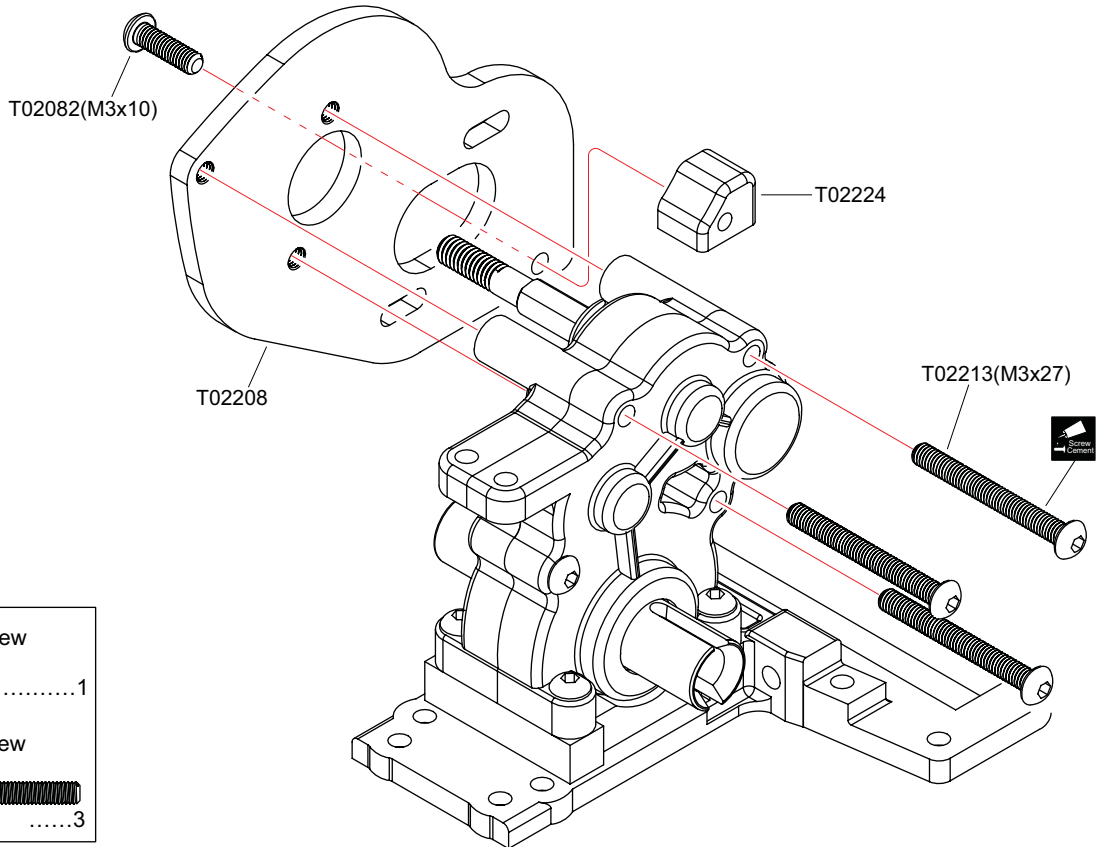
 Apply grease
涂油脂



12 Rear Chassis
后底盘




- T02082 M3x12 Screw
M3x12螺丝
- 4

13 Motor Mount
马达固定座

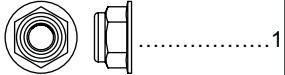


- T02082 M3x10 Screw
M3x10螺丝
- 1
- T02082 M3x27 Screw
M3x27螺丝
- 3

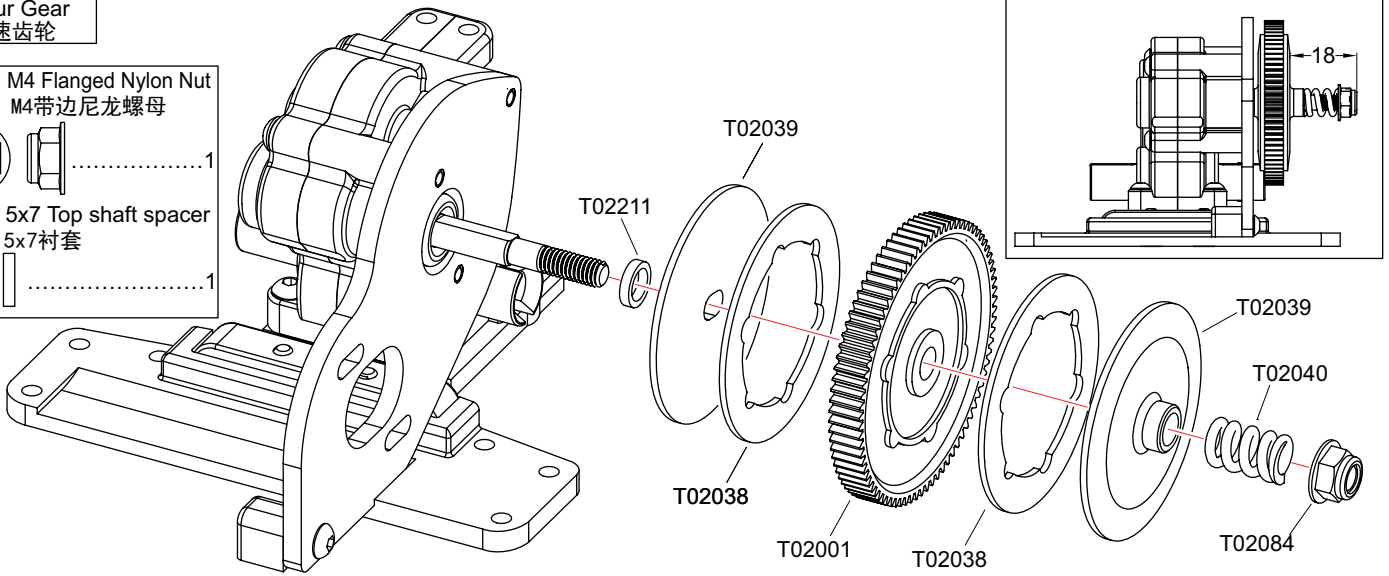
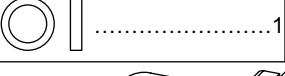
 Apply threadlocker(screw cement)
打螺丝胶水

14 Spur Gear 减速齿轮

T02084 M4 Flanged Nylon Nut
M4带边尼龙螺母

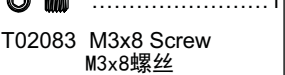


T02211 5x7 Top shaft spacer
5x7衬套

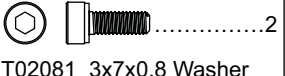


15 Motor 马达

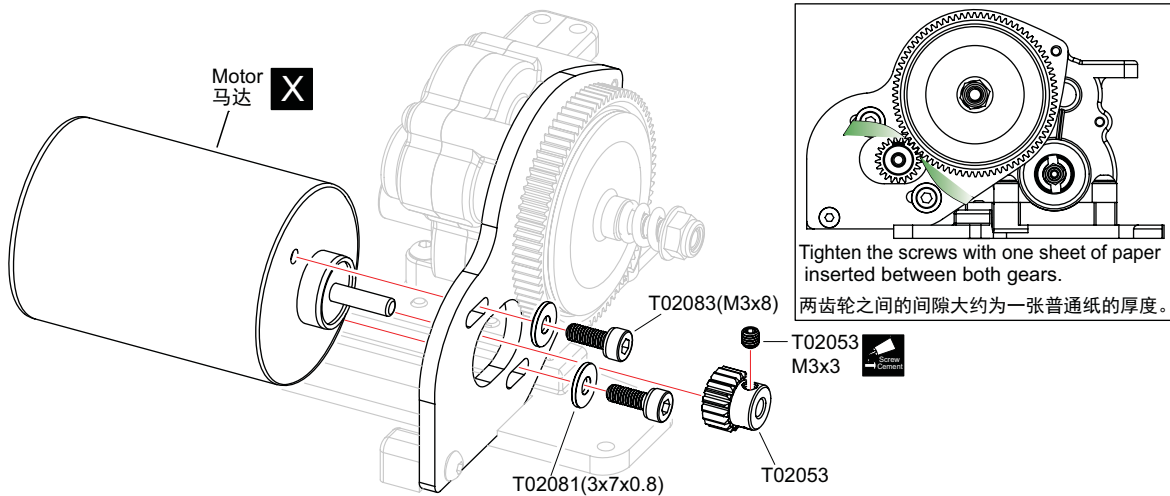
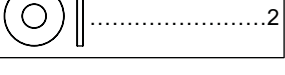
T02053 M3x3 Screw
M3x3螺丝



T02083 M3x8 Screw
M3x8螺丝



T02081 3x7x0.8 Washer
3x7x0.8垫片



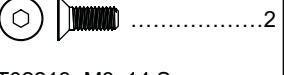
16 Rear Suspension 后悬吊系统



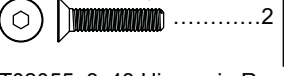
T02092 Ball stud-Long
球头-长



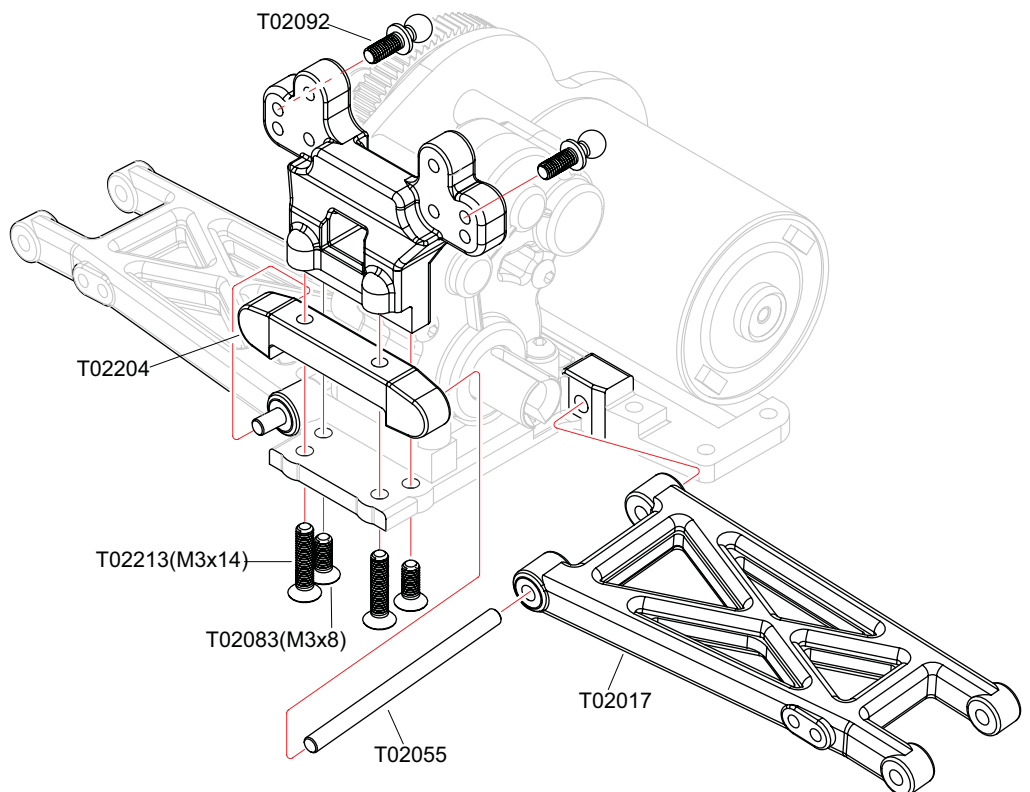
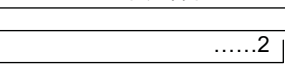
T02083 M3x8 Screw
M3x8螺丝



T02213 M3x14 Screw
M3x14螺丝



T02055 3x48 Hinge pin Rear inner
3x48后摆臂轴

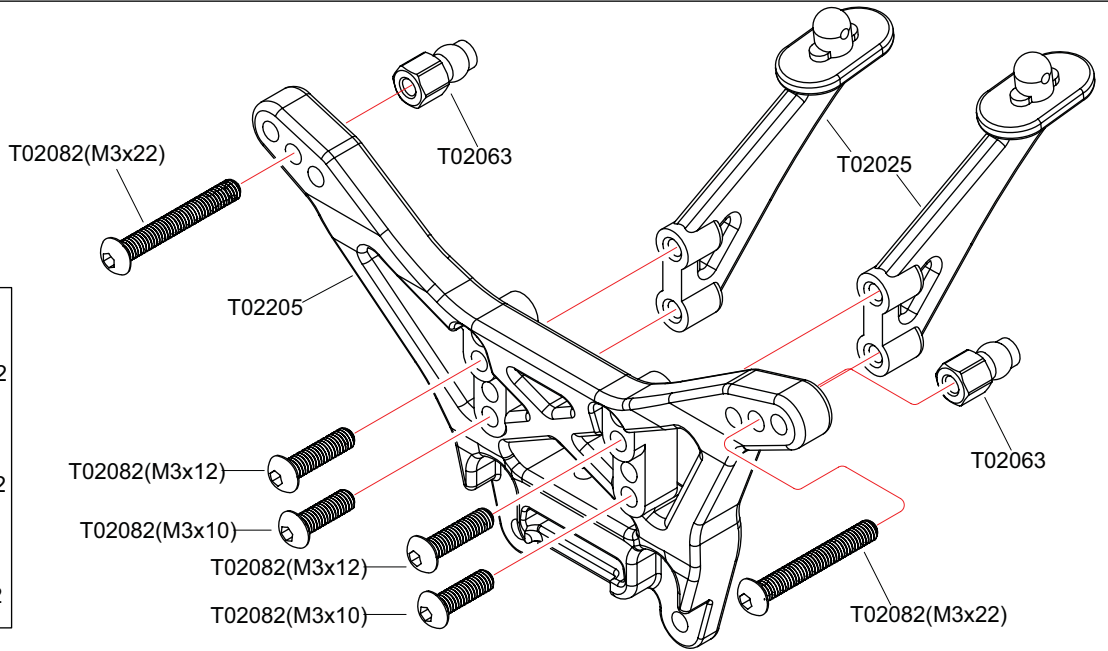


Apply threadlocker(screw cement)
打螺丝胶水

Assemble both Left and Right
组装左和右

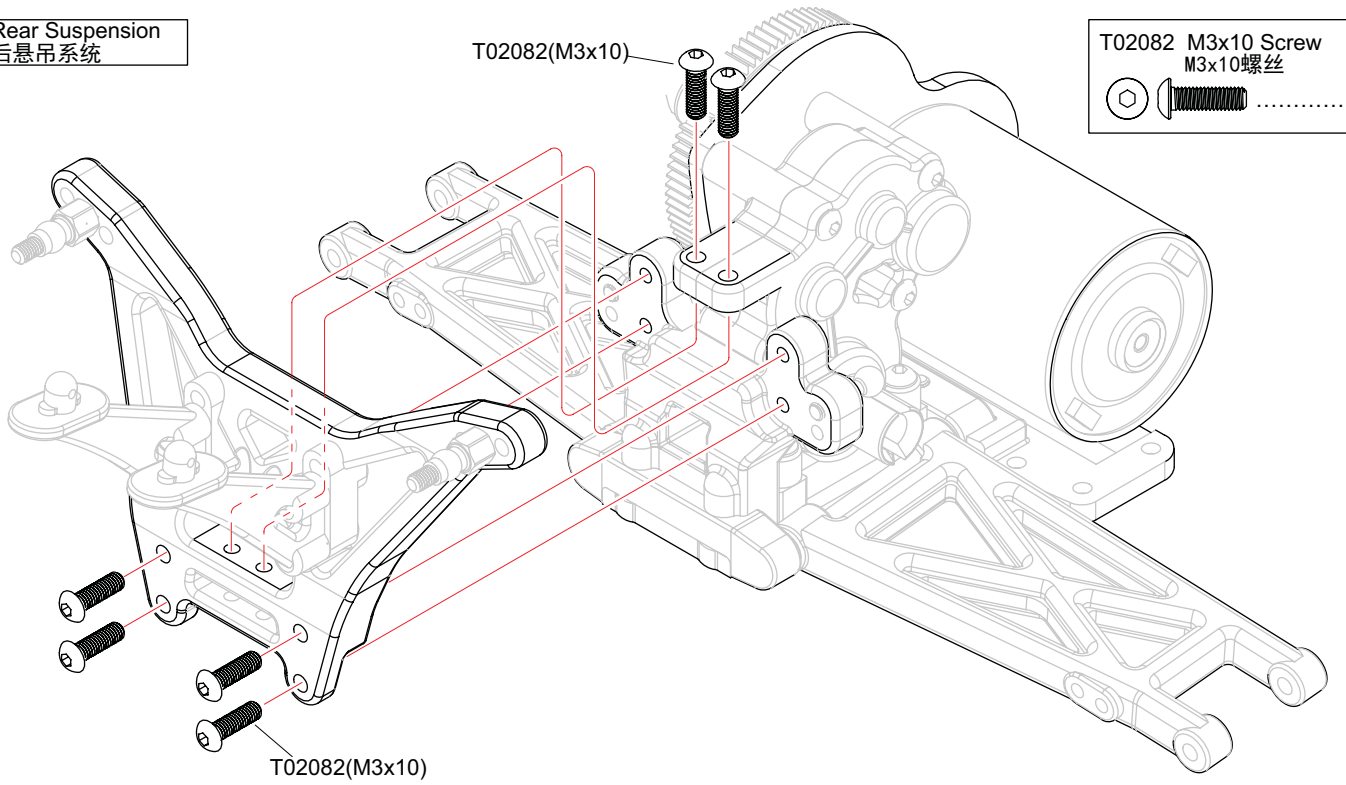
Must be purchased separately
需另购物品

17 Rear Shock Tower
后避震架



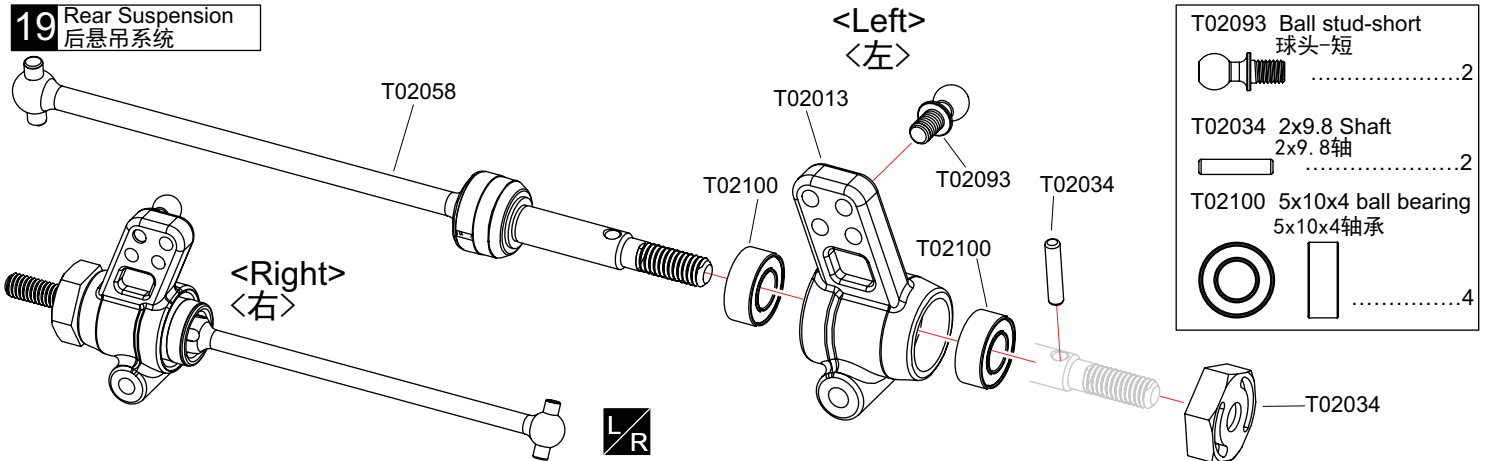
- T02082 M3x10 Screw
M3x10螺丝2
- T02082 M3x12 Screw
M3x12螺丝2
- T02082 M3x22 Screw
M3x22螺丝2

18 Rear Suspension
后悬吊系统



- T02082 M3x10 Screw
M3x10螺丝6

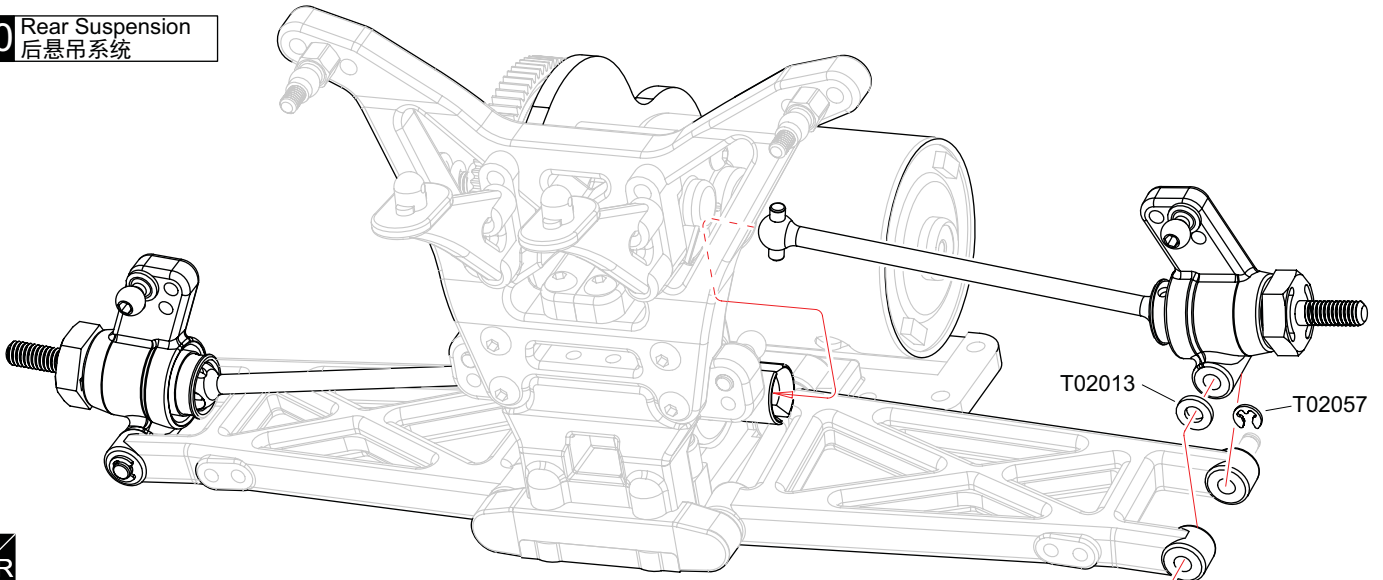
19 Rear Suspension
后悬吊系统



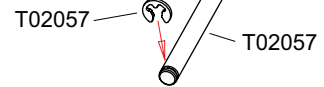
- T02093 Ball stud-short
球头-短2
- T02034 2x9.8 Shaft
2x9.8轴2
- T02100 5x10x4 ball bearing
5x10x4轴承4

LR Assemble both Left and Right
组装左和右

20 Rear Suspension
后悬吊系统



- | | | |
|---|---|-----------------------------|
| T02013 3.1x6x1 Plastic Washer
3.1x6x1 塑胶垫片 | T02057 3x30.5 Hinge pin Rear outer
3x30.5 后摆臂轴-外 | T02057 2.3 E-ring
2.3 E扣 |
| | | |
| 2 | 2 | 4 |

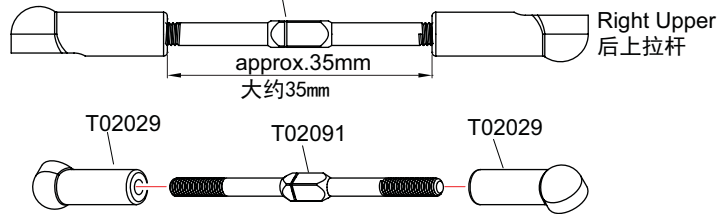


21 Rear Suspension
后悬吊系统

- | |
|---|
| T02029 4.8mm Ball End (Long)
4.8mm 球头座 (长) |
| |
| 4 |

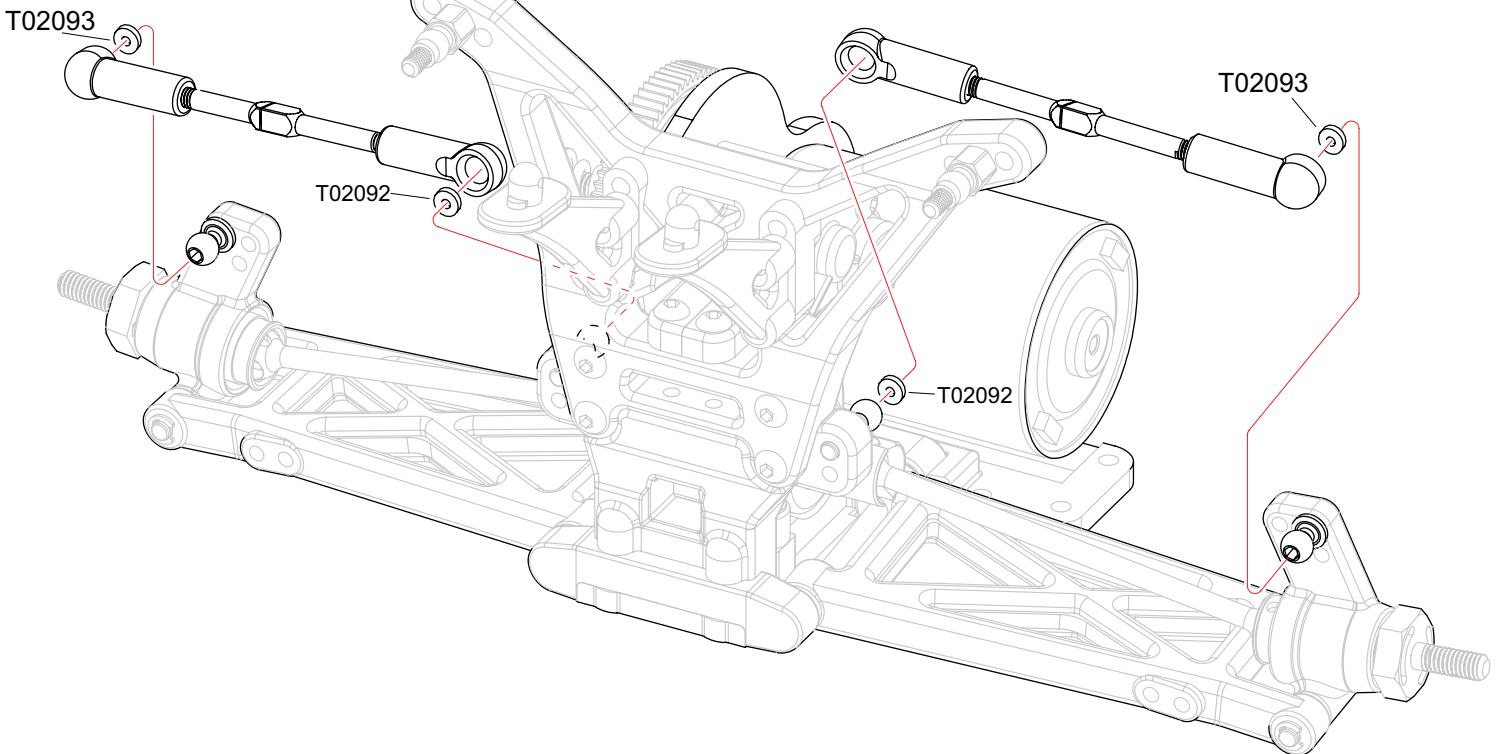
- | |
|-----------------------------------|
| T02091 3x54 Turnbuckle
3x54 拉杆 |
| |
| 2 |

► Projection. Note direction
注意方向



1:1 **x2**

22 Rear Suspension
后悬吊系统



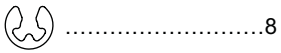
L/R Assemble both Left and Right
组装左和右

1:1 True-to-scale diagram
图形比例

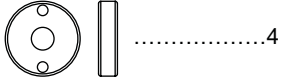
x2 Assemble as many times as specified
需组装数量

23 Shock Absorber
避震器

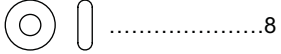
T02064/T02065 2.3 E-ring
2.3 E扣



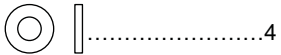
T02096 Shock Piston
避震器活塞



T02097 2.8x1.9 O-ring
2.8x1.9 O环



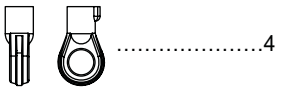
T02097 3.1x1 Plastic Washer
3.1x1 塑胶垫片



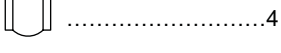
T02094/T02095 8x1 O-ring
8x1 O环



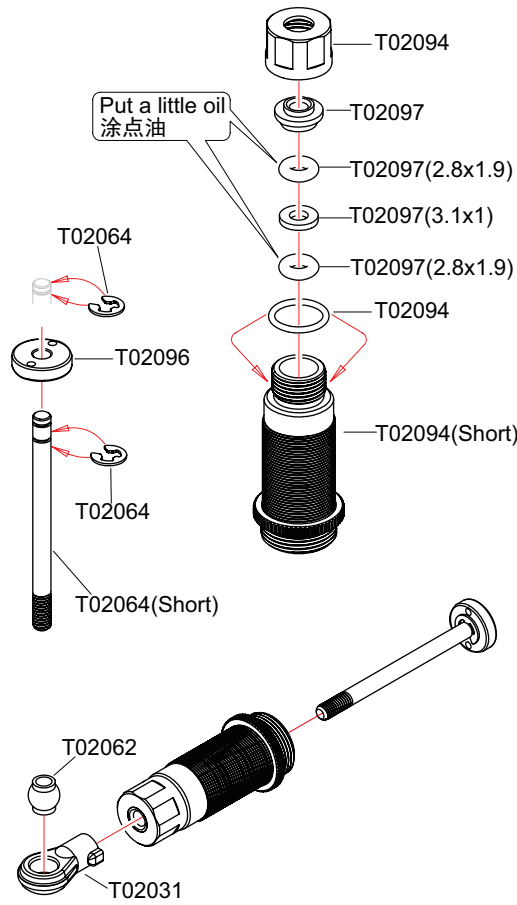
T02031 5.8 Ball End
5.8球头座



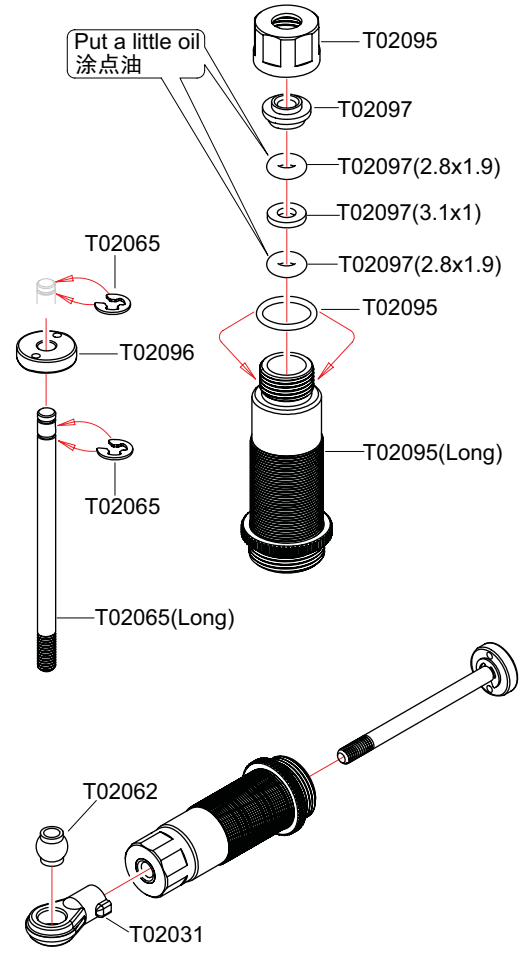
T02062 5.8x6 Ball stud
5.8x6球头



Front-Short
前-短 **x2**



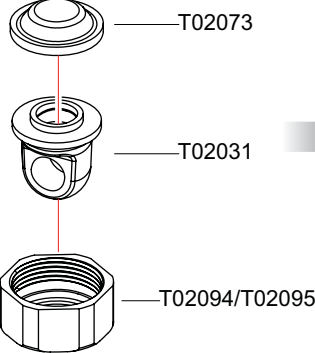
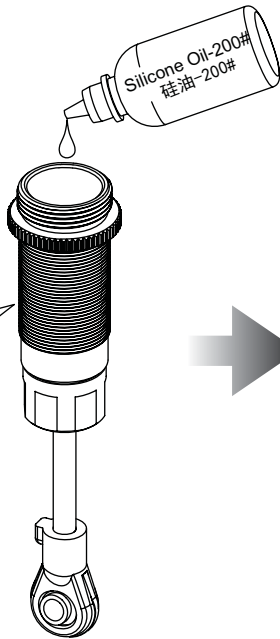
Rear-Short
后-长 **x2**



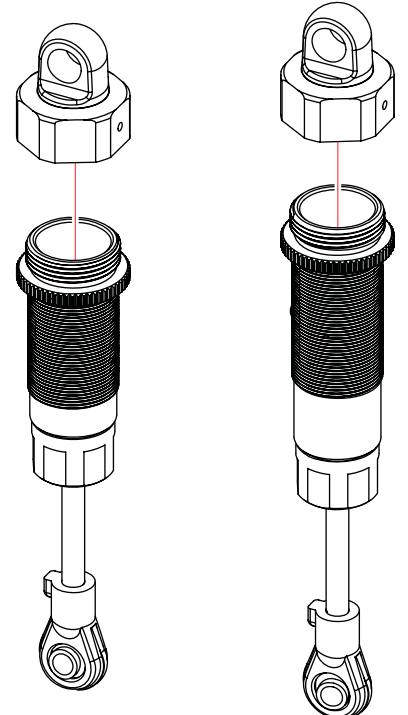
24 Shock Absorber
避震器

for Front(Short)
前面用(短)
for Rear(Long)
后面用(长)

F_R x2



F_R x2



Front-Short
前-短 **x2**

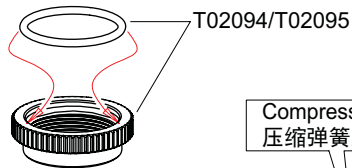
Rear-Long
后-长 **x2**

F_R Assemble both front and rear
组装前面和后面

x2 Assemble as many times as specified
需组装数量

25 Shock Absorber
避震器

Front-Short
前-短 **x2**



x4

Compress the spring and install
压缩弹簧后安装

for adjusting the spring tension
调整弹簧松紧

T02031

T02071(Short)

T02031

T02072(Long)

Rear-Short
后-短 **x2**

T02094/T02095 12x1 O-ring
12x1 O环



.....4

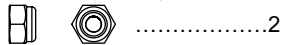
26 Front Suspension
前悬吊系统

T02084(M3)

T02082(M3x15)



T02084 M3 Nylon Nut
M3尼龙螺母



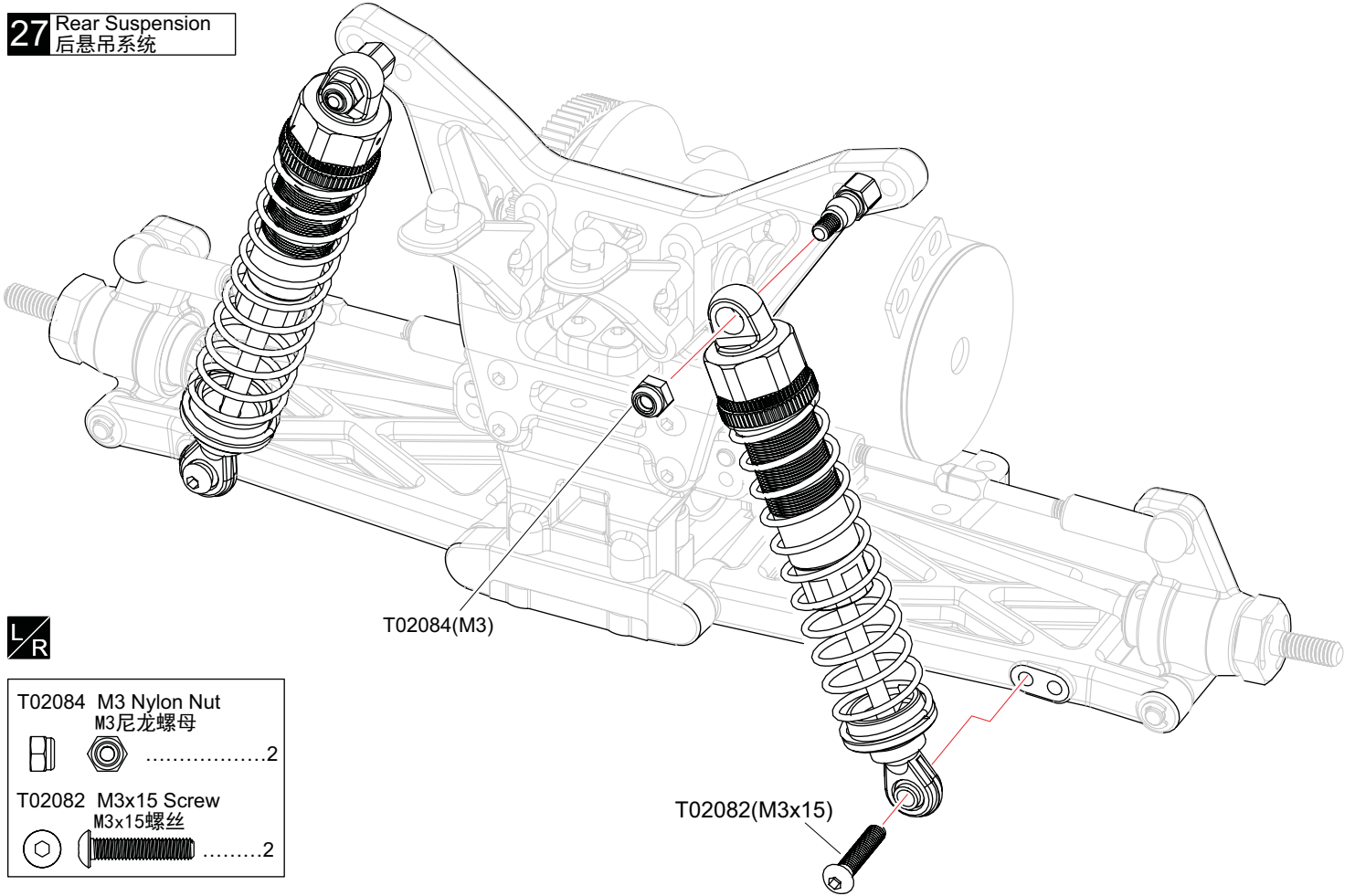
T02082 M3x15 Screw
M3x15螺丝



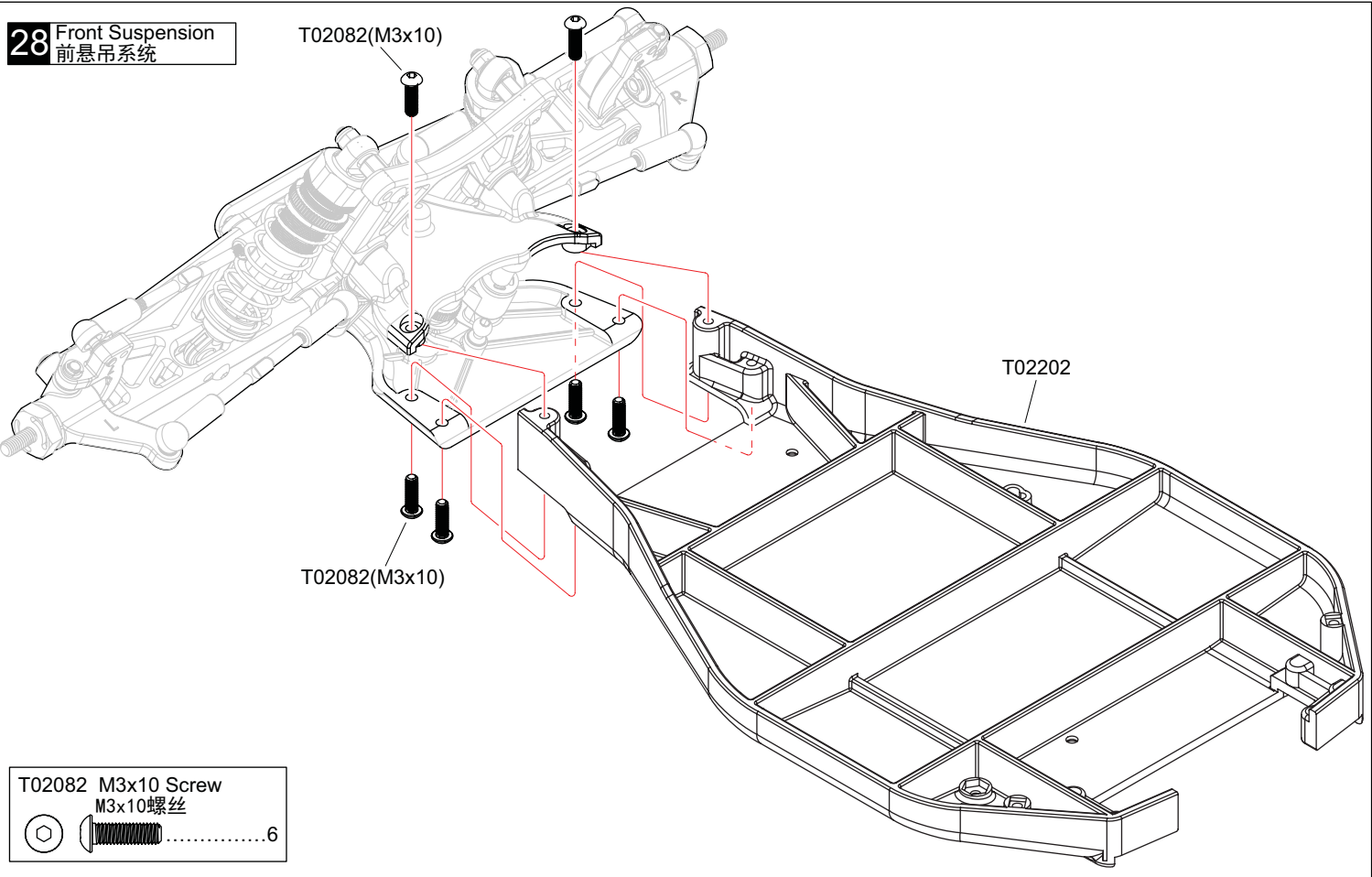
x2 Assemble as many times as specified
需组装数量

L/R Assemble both Left and Right
组装左和右

27 Rear Suspension
后悬吊系统



28 Front Suspension
前悬吊系统



L/R Assemble both Left and Right
组装左和右

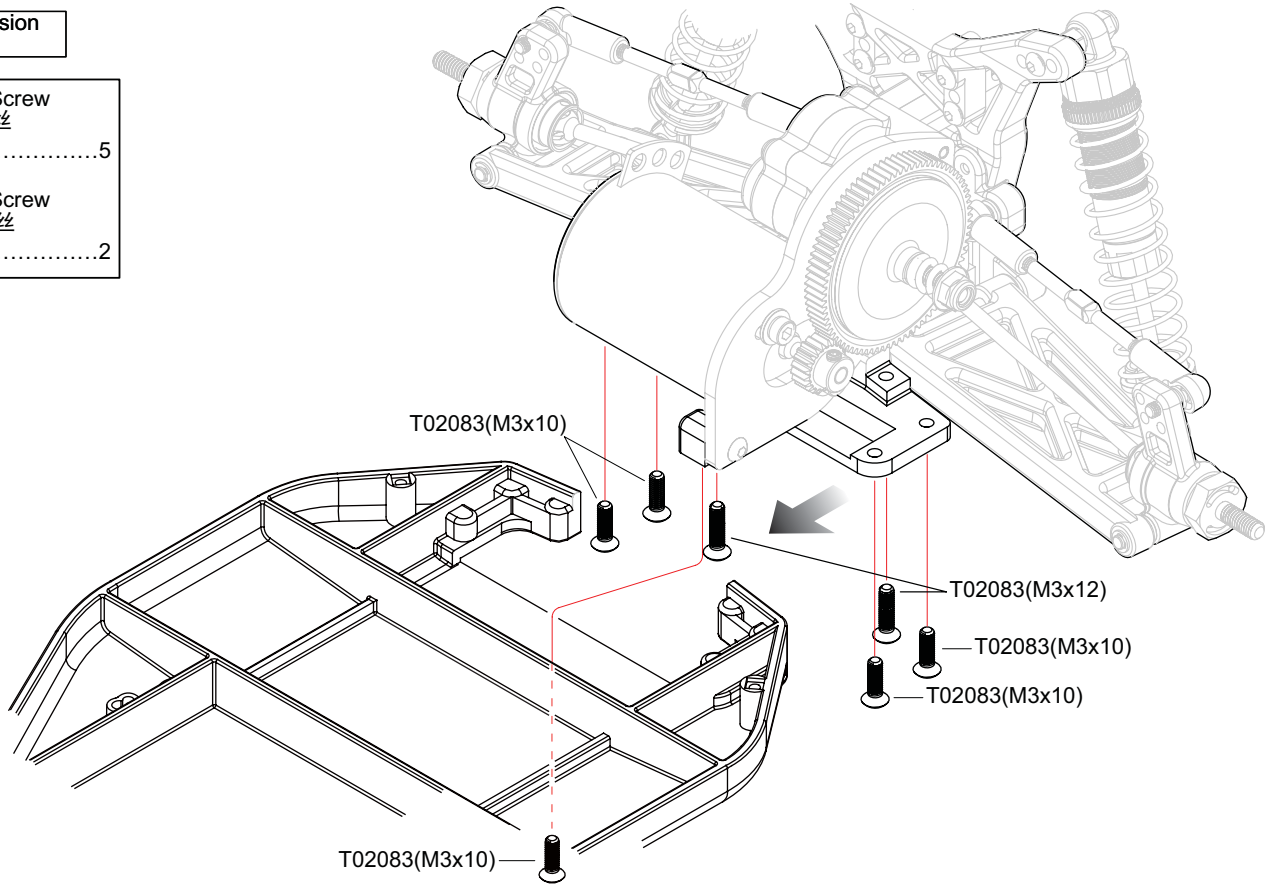
29 Rear Suspension
后悬吊系统

T02083 M3x10 Screw
M3x10螺丝

.....5

T02083 M3x12 Screw
M3x12螺丝

.....2



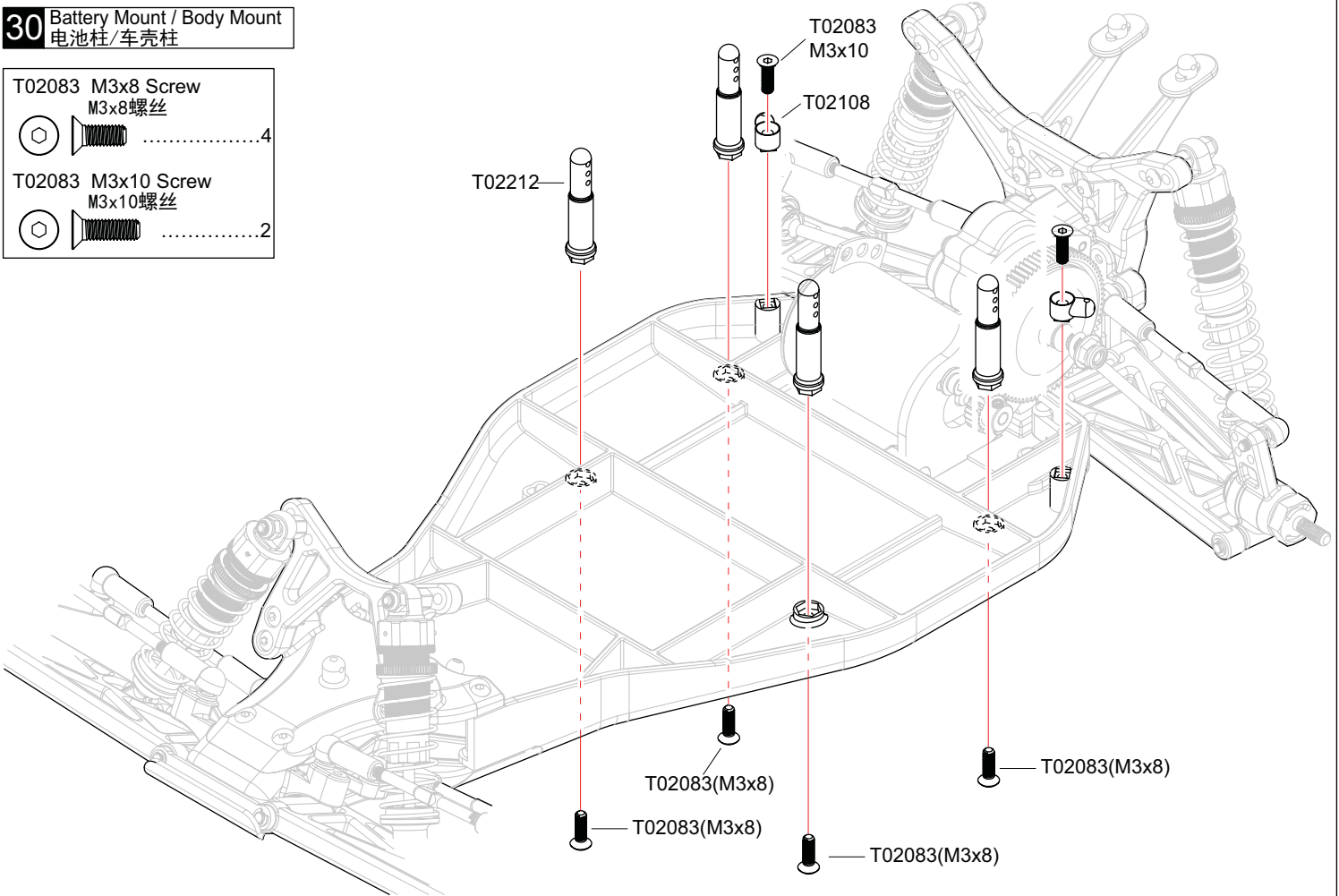
30 Battery Mount / Body Mount
电池柱/车壳柱

T02083 M3x8 Screw
M3x8螺丝

.....4

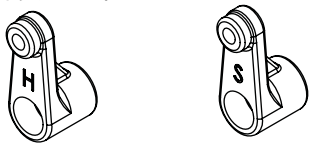
T02083 M3x10 Screw
M3x10螺丝

.....2

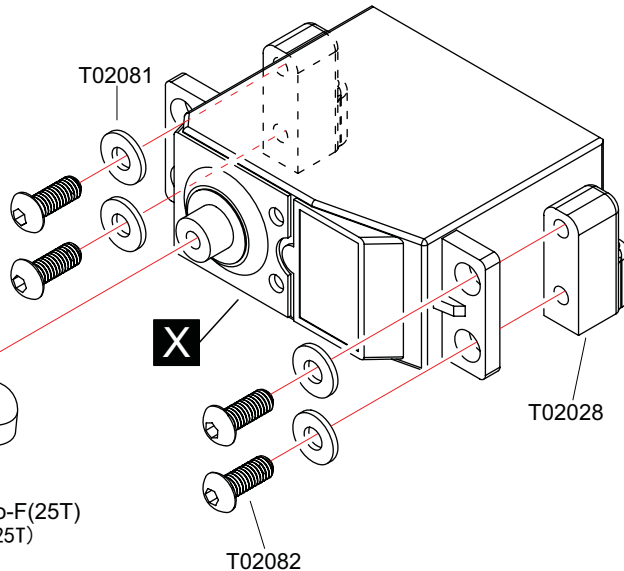
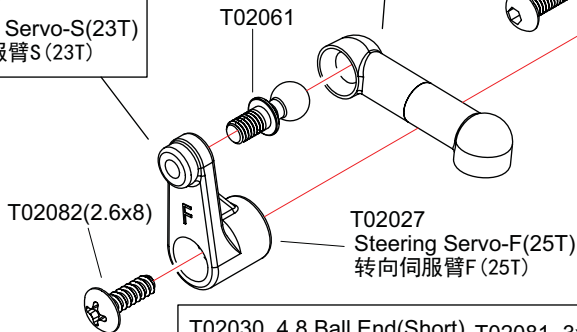
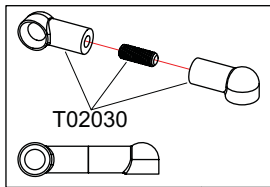
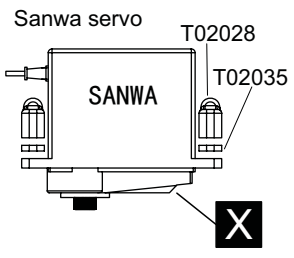


31 Steering Servo 转向伺服系统

Select for your servo
根据伺服器选择

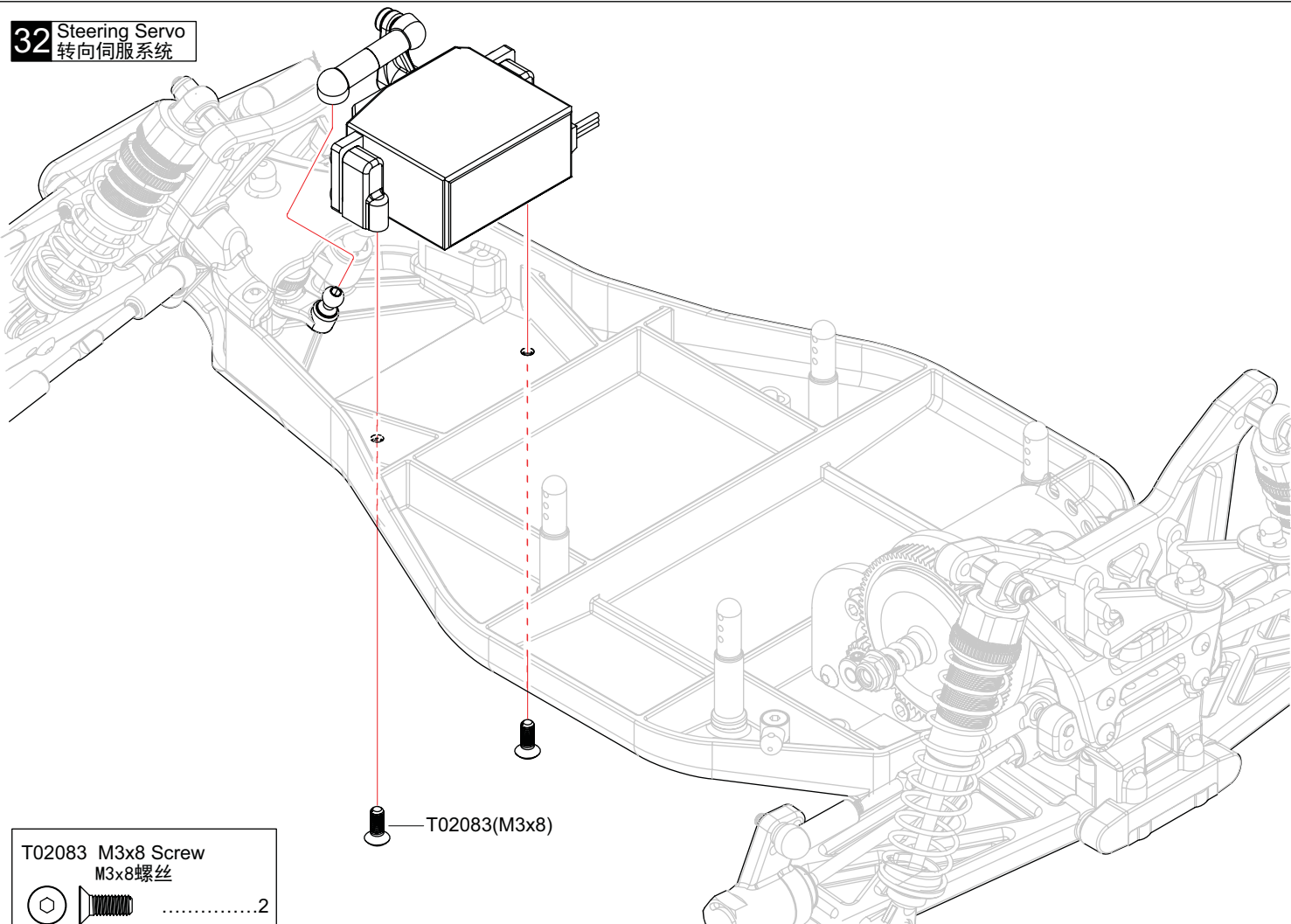


Steering Servo-H(24T) Steering Servo-S(23T)
转向伺服臂H(24T) 转向伺服臂S(23T)



T02030 4.8 Ball End(Short) 4.8球头座(短)	T02081 3x7x0.8 Washer 3x7x0.8垫片	T02061 Ball stud - silver 球头-银色
T02035 1.5 Servo spacer 1.5伺服机座垫片	T02030 M3x10 Screw M3x10螺丝	T02082 M3x8 Screw M3x8螺丝
	T02082 M2.6x8 Screw M2.6x8螺丝	

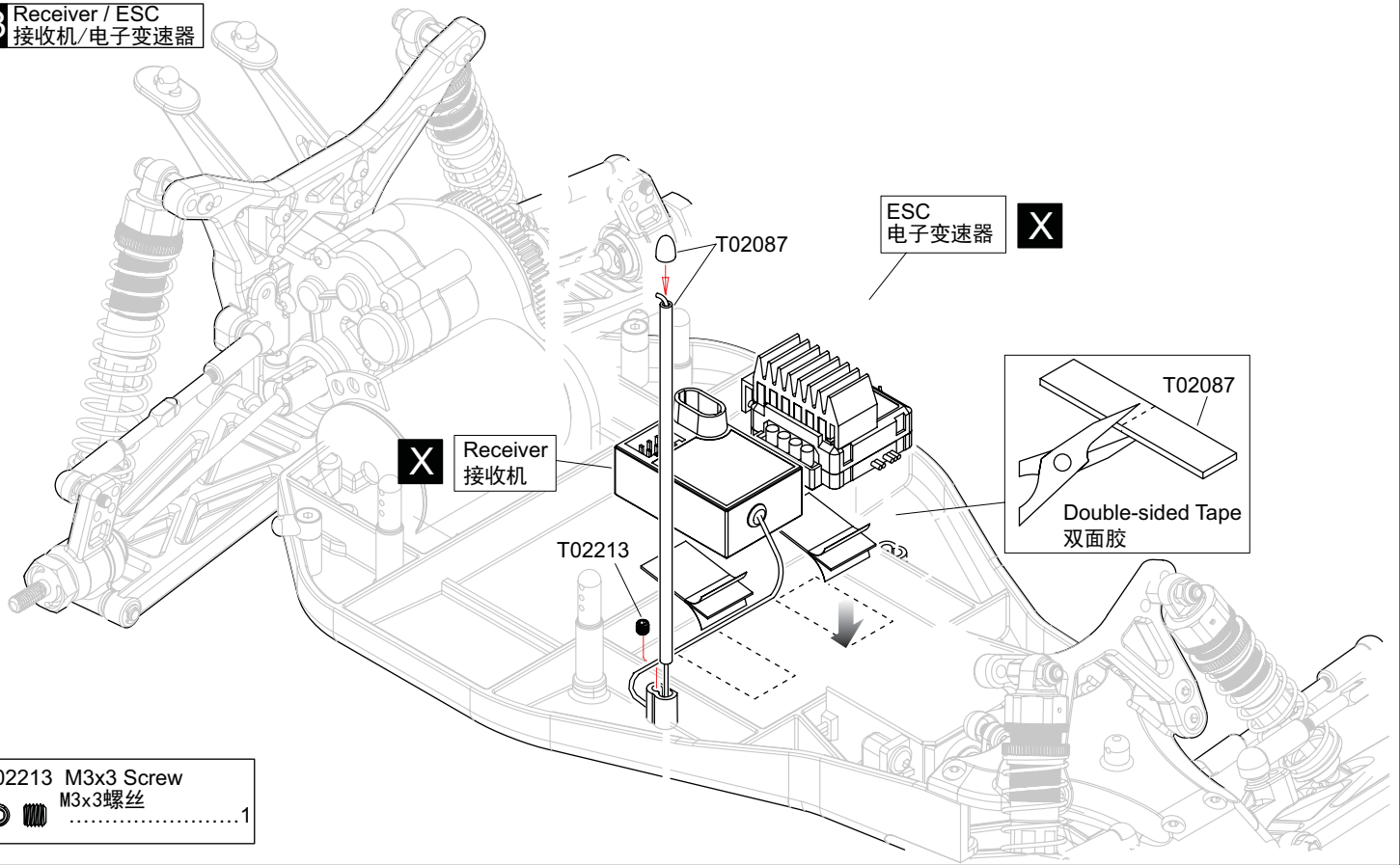
32 Steering Servo 转向伺服系统



T02083 M3x8 Screw M3x8螺丝

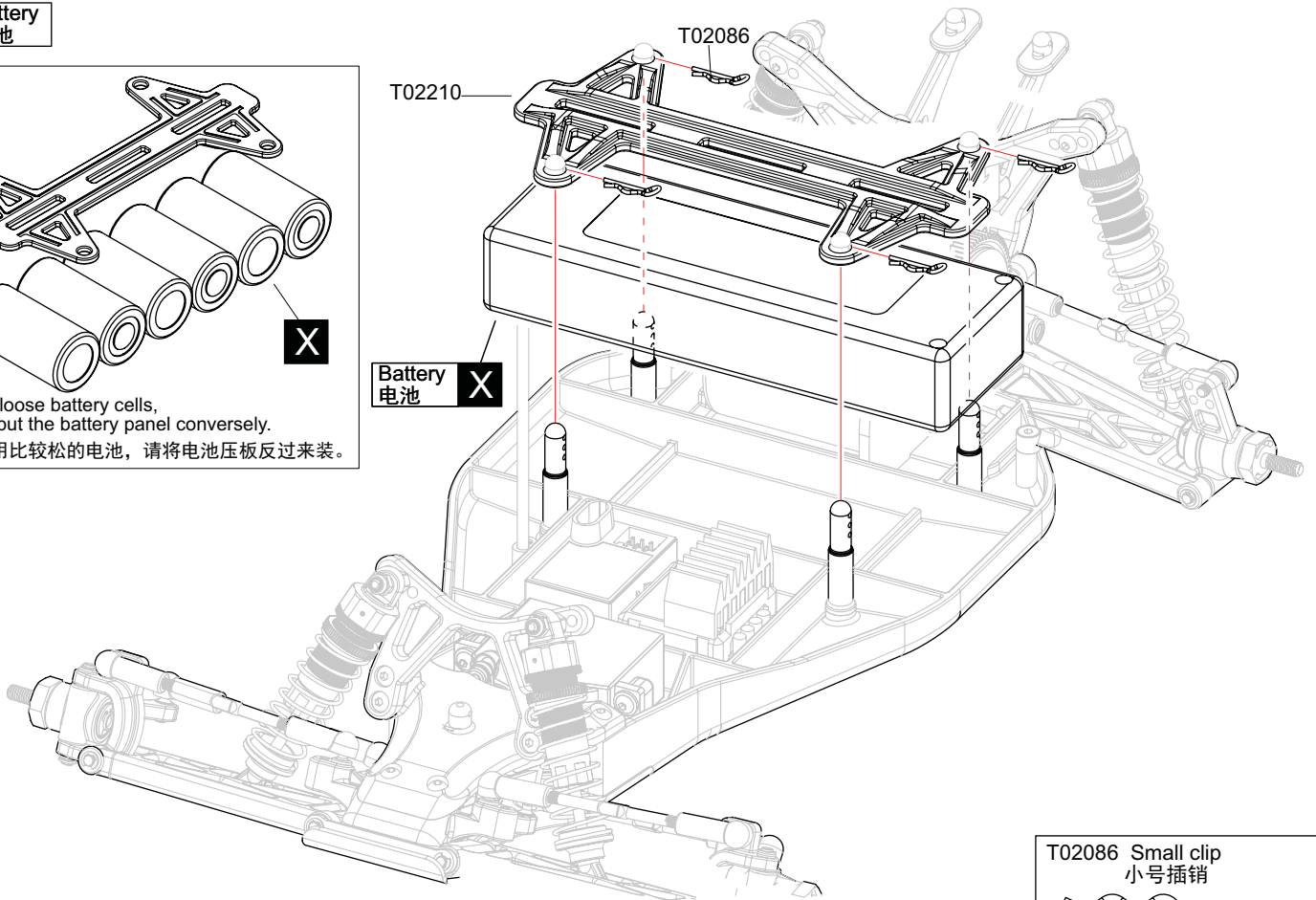
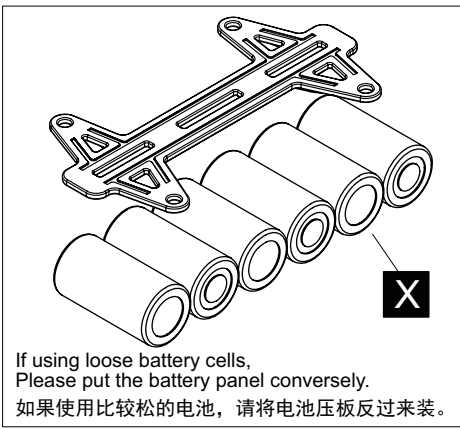
X Must be purchased separately
需另购物品

33 Receiver / ESC
接收机/电子变速器



T02213 M3x3 Screw
M3x3螺丝 1

34 Battery
电池

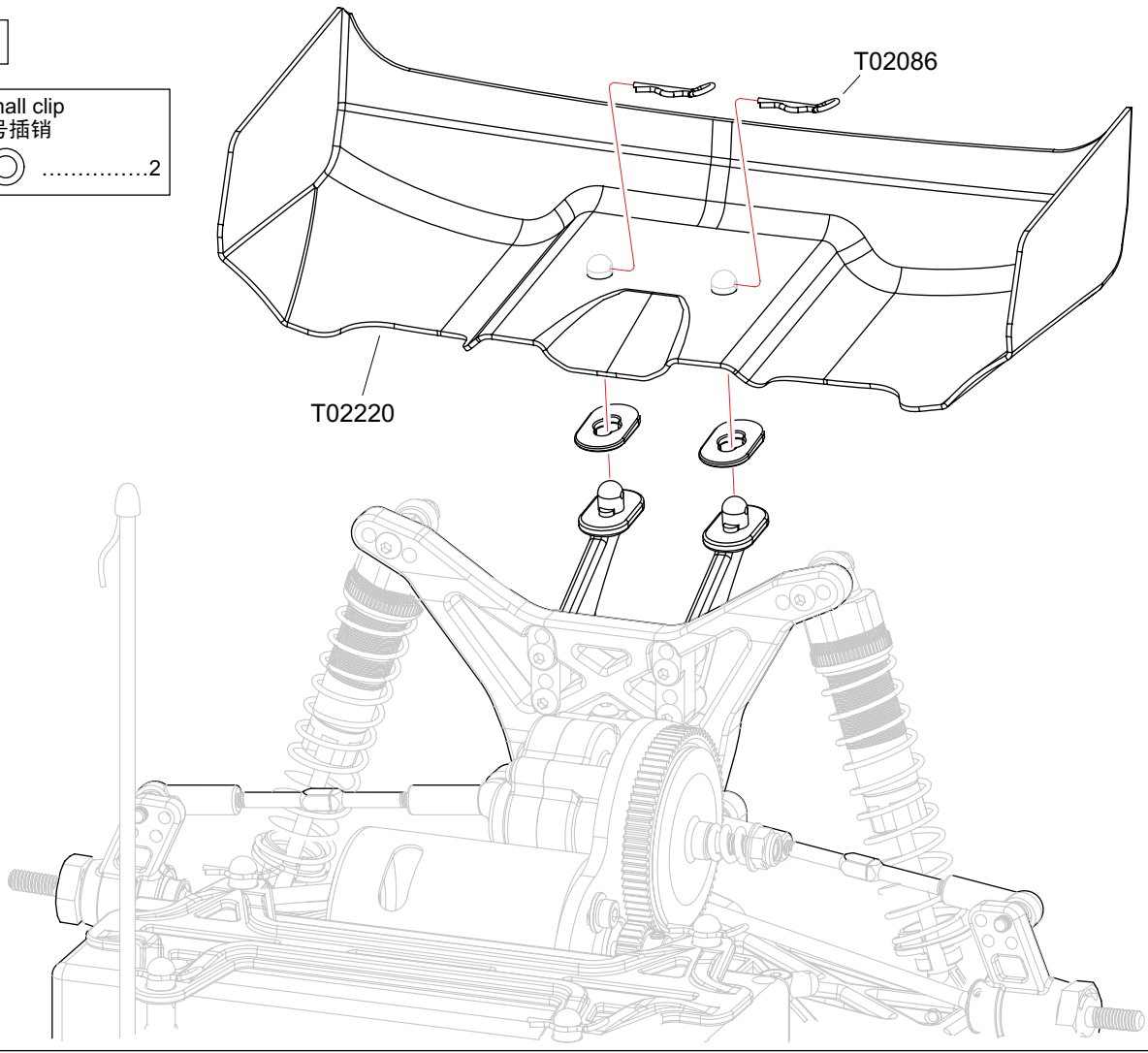


T02086 Small clip
小号插销 4

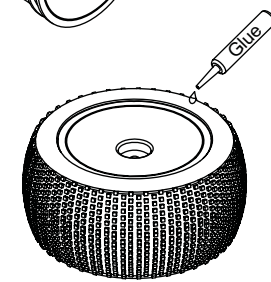
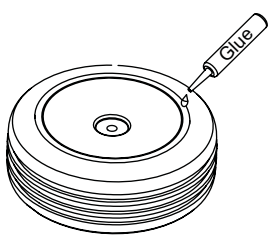
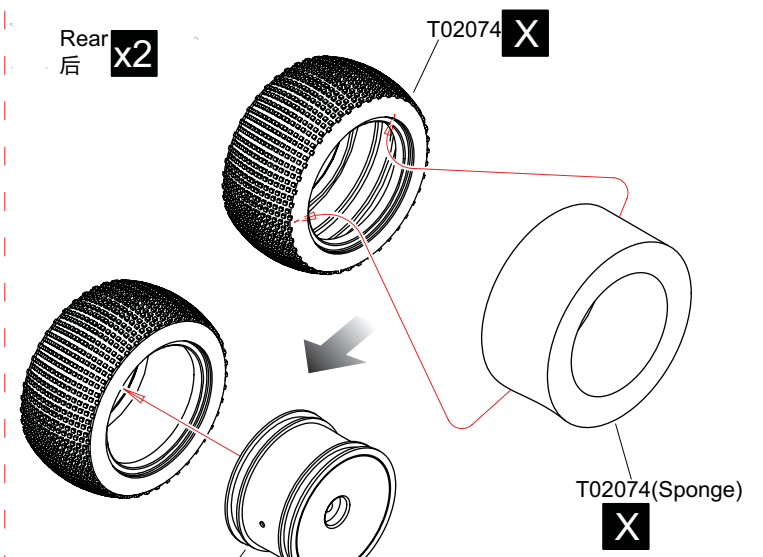
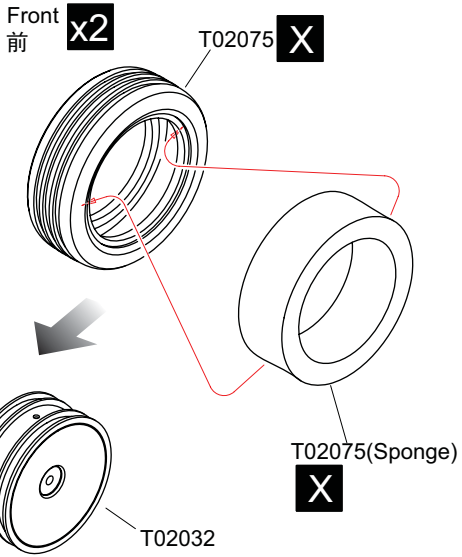
X Must be purchased separately
需另购物品

35 Wing
尾翼

T02086 Small clip
小号插销2



36 Tyre
轮胎



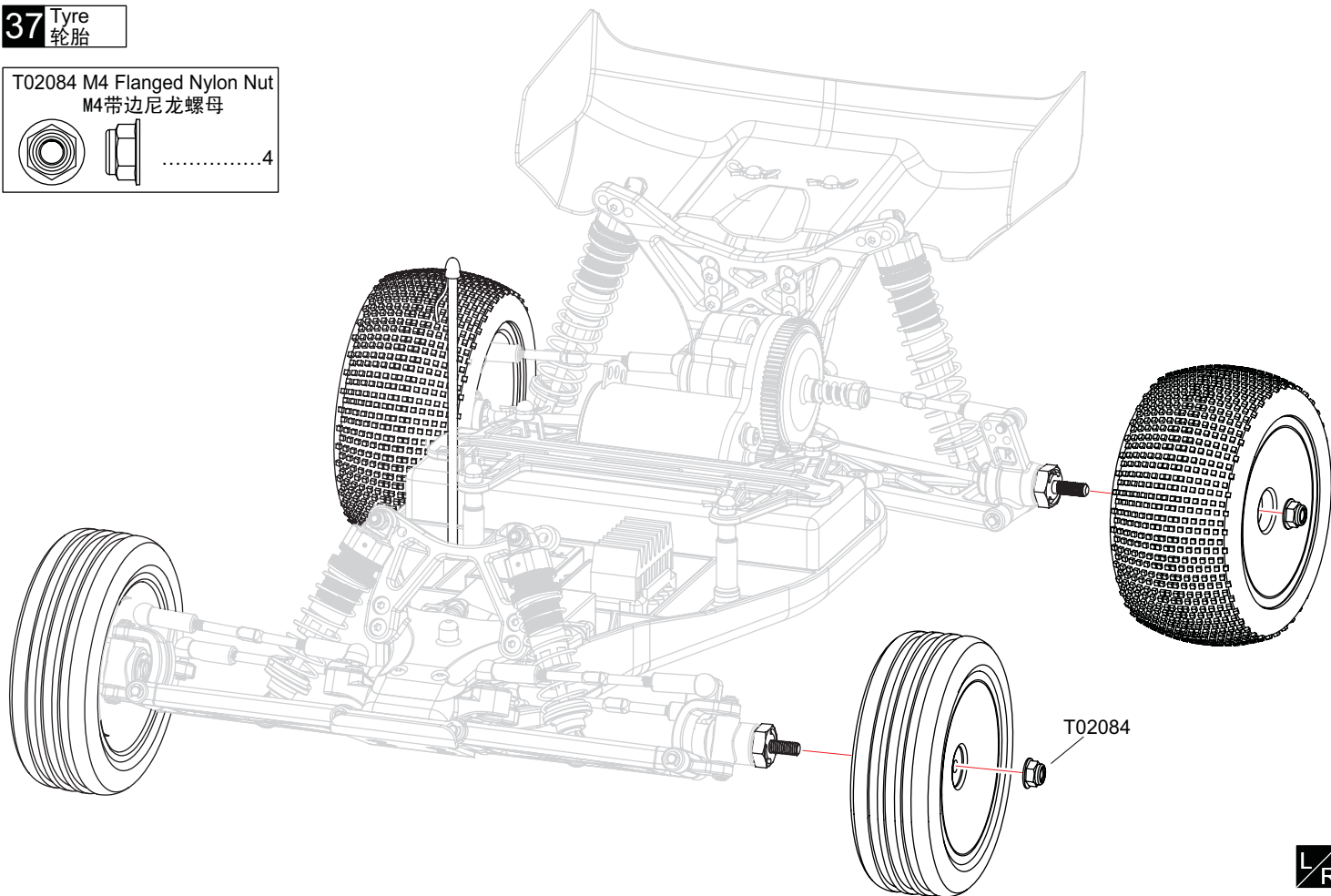
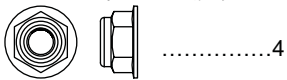
After fitting wheels to tyres,
apply instant glue as shown.
轮胎装好后请按图示打胶水。

x2 Assemble as many times as specified
需组装数量

X Must be purchased separately
需另购物品

37 Tyre
轮胎

T02084 M4 Flanged Nylon Nut
M4带边尼龙螺母



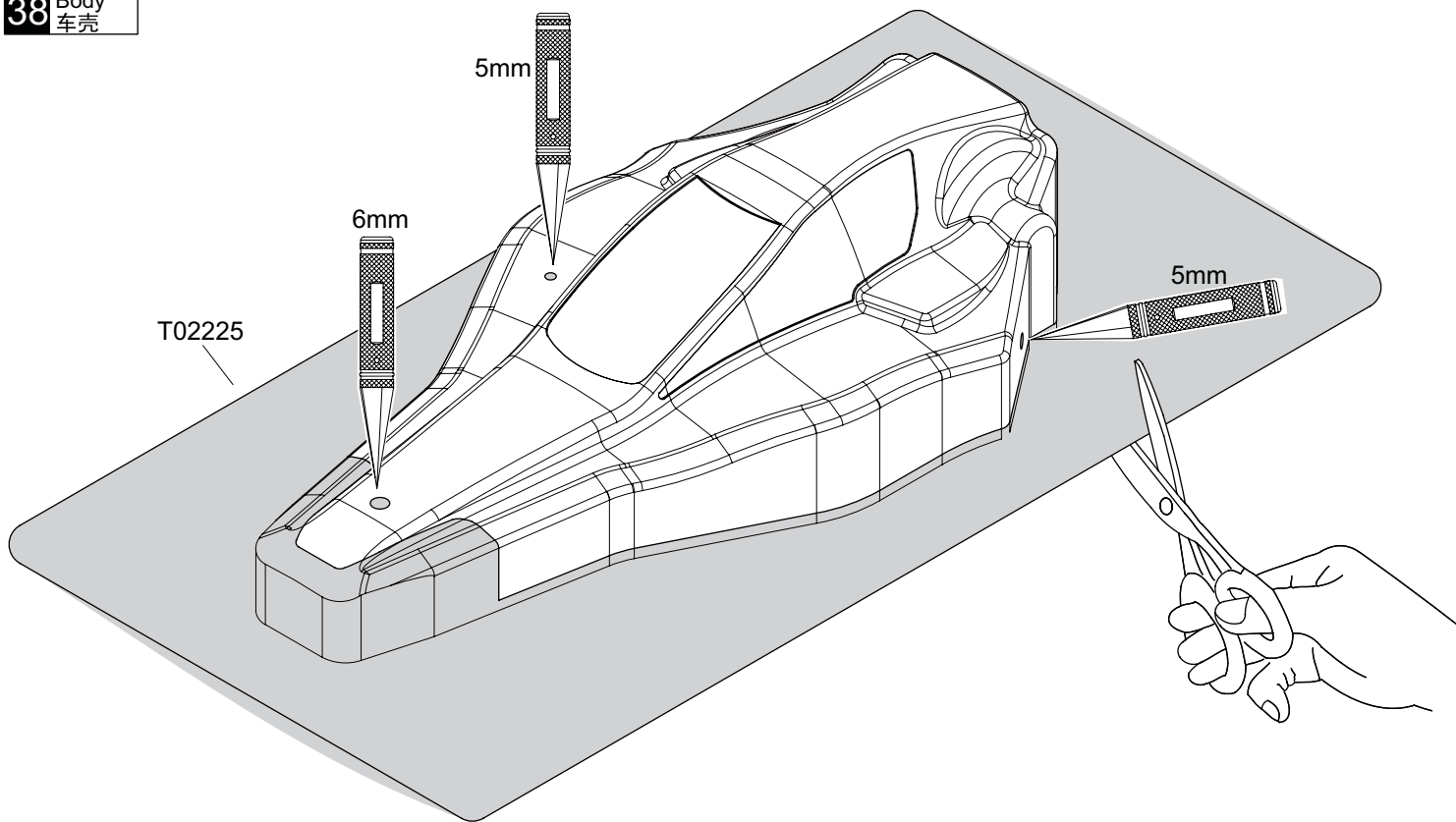
38 Body
车壳

5mm

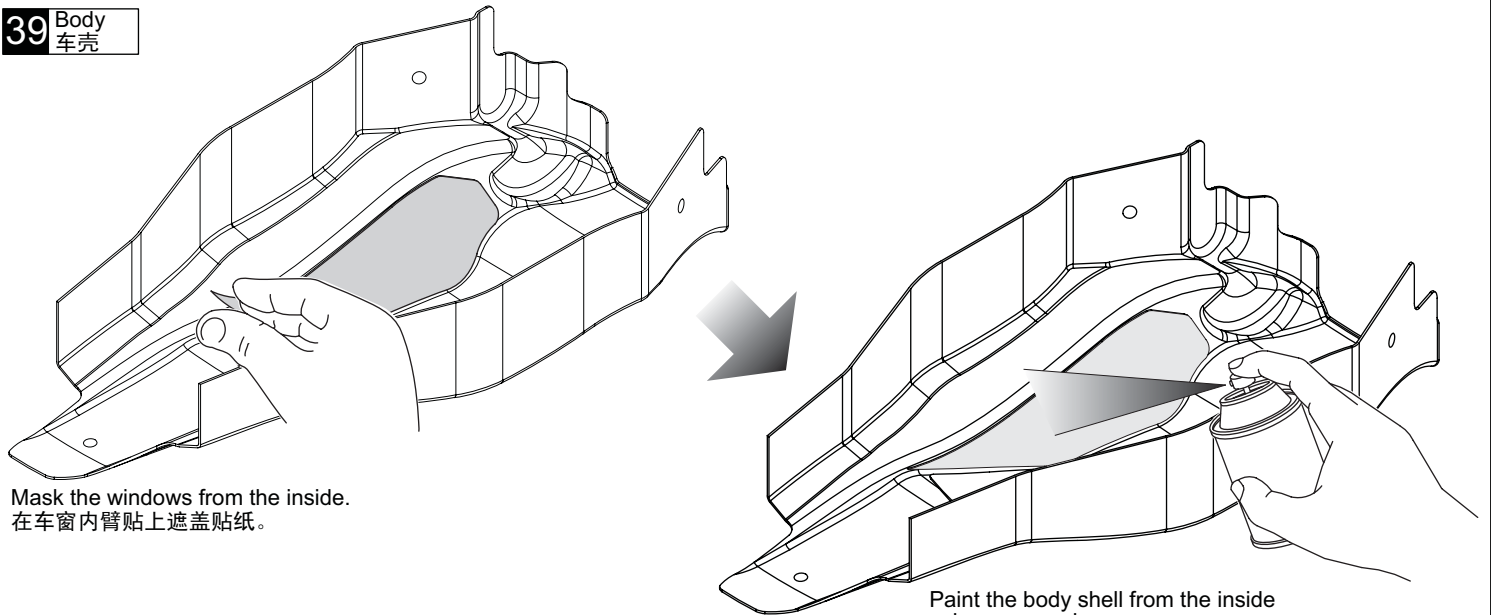
6mm

T02225

5mm



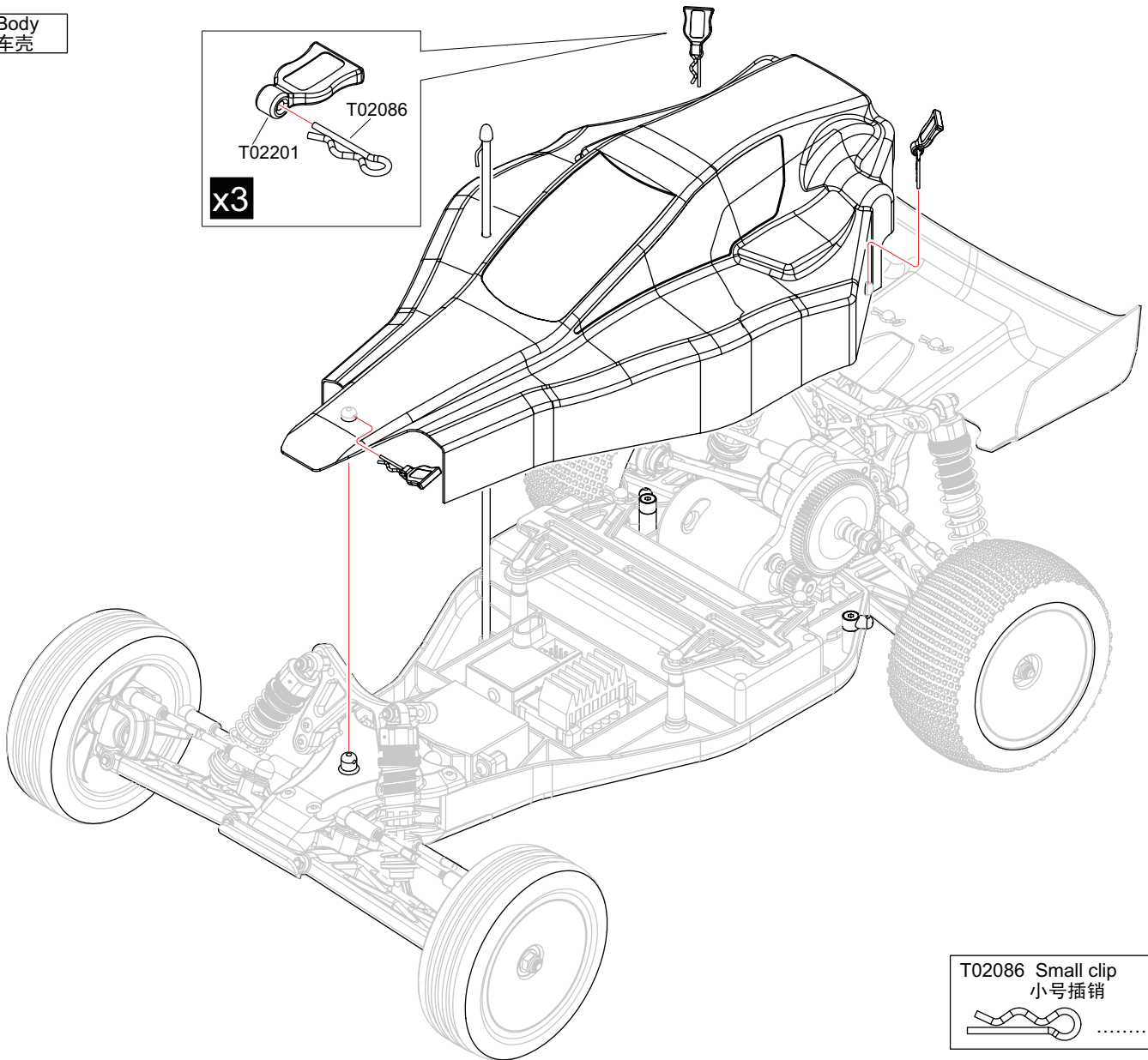
39 Body
车壳



Mask the windows from the inside.
在车窗内臂贴上遮盖贴纸。

Paint the body shell from the inside
using spray colors.
在车壳内臂喷漆。

40 Body
车壳

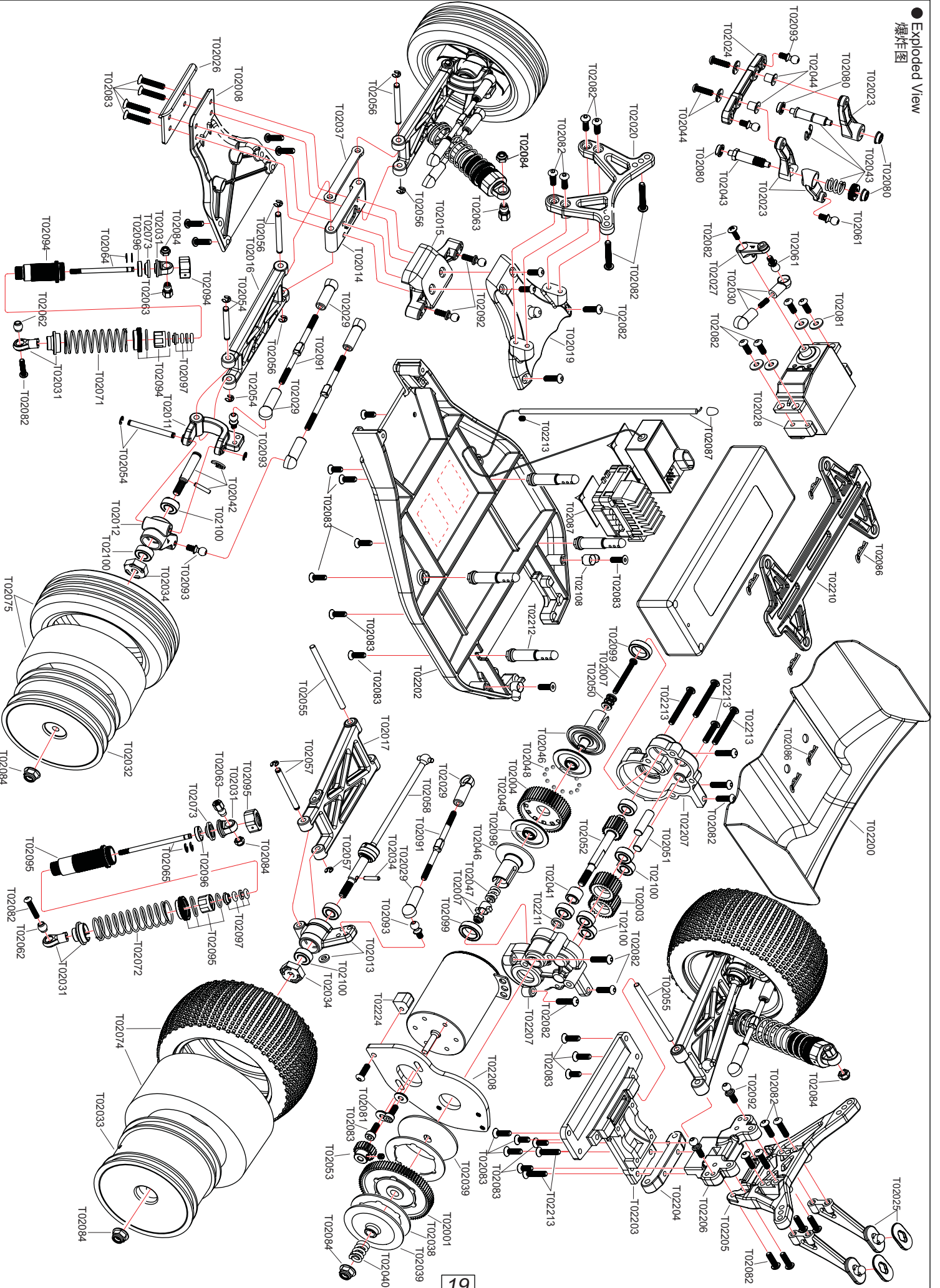


x3

T02086 Small clip
小号插销
 3

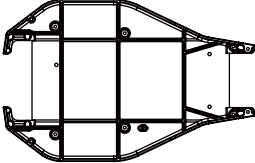
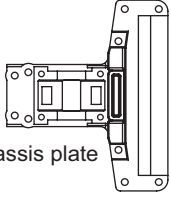


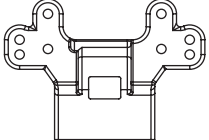
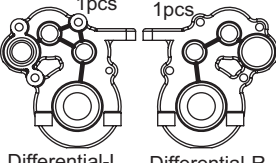
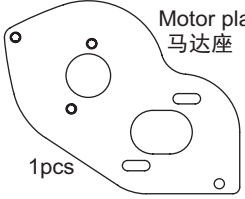
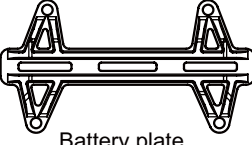


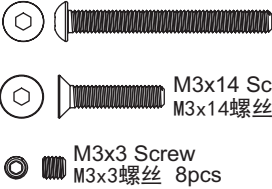
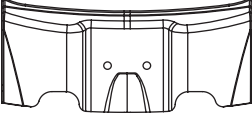
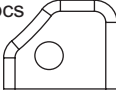
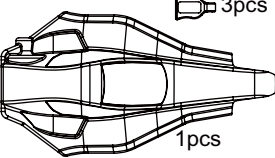
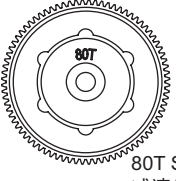
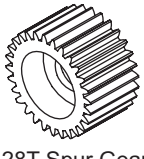
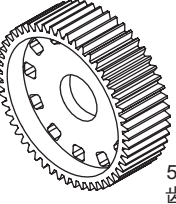
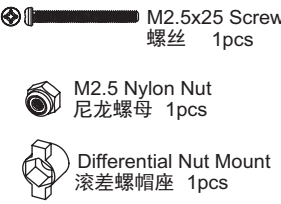
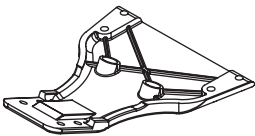
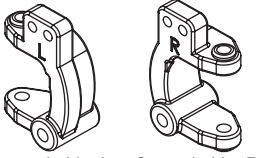
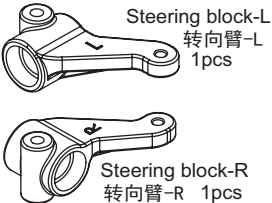
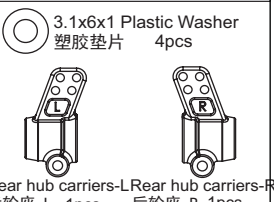
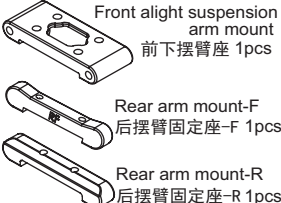
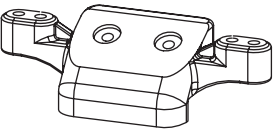
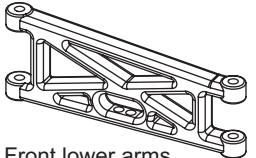
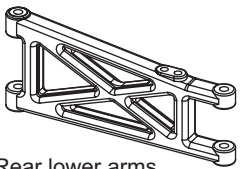
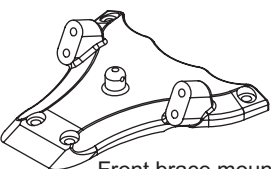
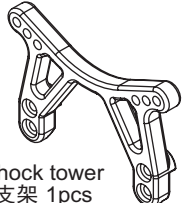
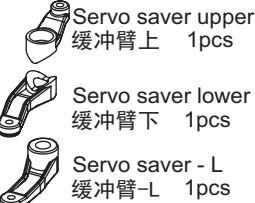
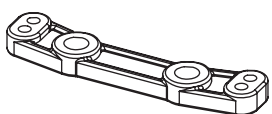
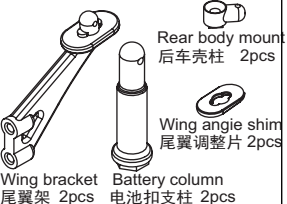
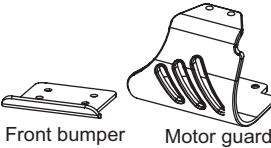
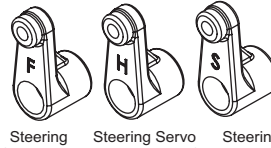
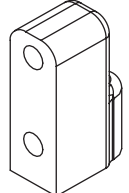
x3 Assemble as many times as specified
需组装数量

● Exploded View
爆炸图




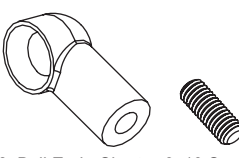

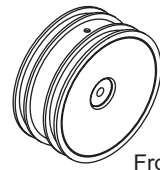
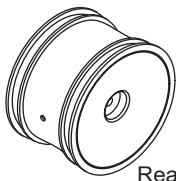
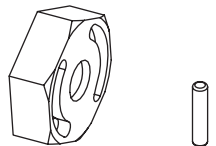
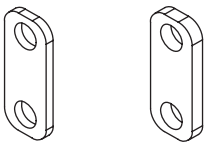
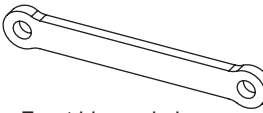

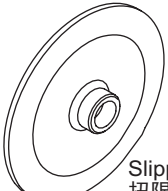
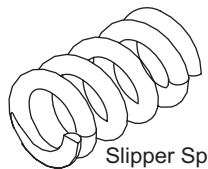

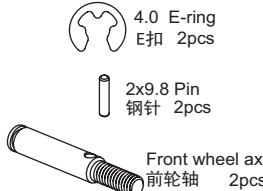
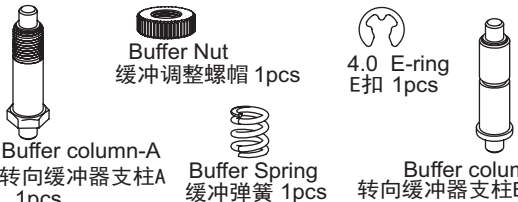

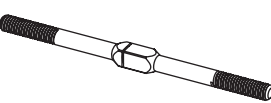




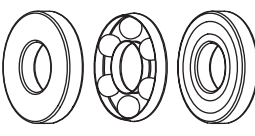
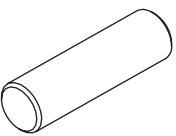
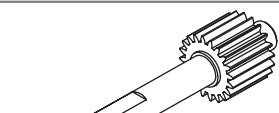
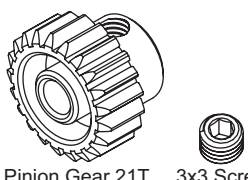
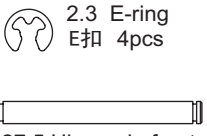
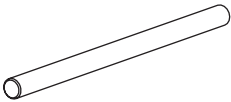
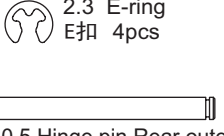
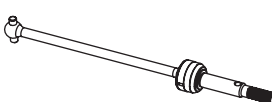
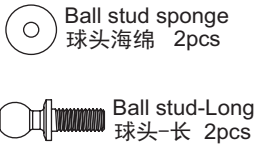

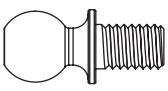

Parts list for TP02C off-road buggy - 1

TP02C配件包-1

<p>T02202</p>  <p>Main Chassis plate 主底盘 1pcs</p>	<p>T02203</p>  <p>1pcs Rear chassis plate 后底盘</p>	<p>T02204</p>  <p>Rear arm mount-R 后摆臂固定座-R 1pcs</p>	<p>T02205</p>  <p>Rear shock tower 后避震支架 1pcs</p>	<p>T02206</p>  <p>Rear brace mount 后支撑座 1pcs</p>
<p>T02207</p>  <p>1pcs 1pcs Differential-L 差速箱-L Differential-R 差速箱-R</p>	<p>T02208</p>  <p>Motor plate 马达座 1pcs</p>	<p>T02210</p>  <p>Battery plate 电池压板 1pcs</p>	<p>T02211</p>  <p>5x7 Top shaft spacer 衬套 1pcs</p>	<p>T02212</p>  <p>Battery column 电池扣支柱 4pcs</p>
<p>T02213</p>  <p>M3x27 Screw M3x27螺丝 8pcs M3x14 Screw M3x14螺丝 8pcs M3x3 Screw M3x3螺丝 8pcs</p>	<p>T02220</p>  <p>Wing-Lexan 尾翼-PC透明 1pcs</p>	<p>T02224</p>  <p>Motor Mount Column 马达座扶持柱 1pcs</p>	<p>T02225</p>  <p>3pcs Body-Lexan 车壳-PC透明 1pcs</p>	
<p>T02001</p>  <p>80T Spur Gear 减速齿 1pcs</p>	<p>T02003</p>  <p>28T Spur Gear 减速齿 1pcs</p>	<p>T02004</p>  <p>52T Gear 齿轮 1pcs</p>	<p>T02007</p>  <p>M2.5x25 Screw 螺丝 1pcs M2.5 Nylon Nut 尼龙螺母 1pcs Differential Nut Mount 滚差螺母座 1pcs</p>	<p>T02008</p>  <p>Front chassis plate 前底盘 1pcs</p>
<p>T02011</p>  <p>C-type holder L C型座-L 1pcs C-type holder R C型座-R 1pcs</p>	<p>T02012</p>  <p>Steering block-L 转向臂-L 1pcs Steering block-R 转向臂-R 1pcs</p>	<p>T02013</p>  <p>3.1x6x1 Plastic Washer 塑胶垫片 4pcs Rear hub carriers-L 后轮座-L 1pcs Rear hub carriers-R 后轮座-R 1pcs</p>	<p>T02014</p>  <p>Front aight suspension arm mount 前下摆臂座 1pcs Rear arm mount-F 后摆臂固定座-F 1pcs Rear arm mount-R 后摆臂固定座-R 1pcs</p>	<p>T02015</p>  <p>Front upper suspension arm mount 前上摆臂座 1pcs</p>
<p>T02016</p>  <p>Front lower arms 前下摆臂 2pcs</p>	<p>T02017</p>  <p>Rear lower arms 后下摆臂 2pcs</p>	<p>T02019</p>  <p>Front brace mount 前支撑座 1pcs</p>	<p>T02020</p>  <p>Front shock tower 前避震支架 1pcs</p>	<p>T02023</p>  <p>Servo saver upper 缓冲臂上 1pcs Servo saver lower 缓冲臂下 1pcs Servo saver - L 缓冲臂-L 1pcs</p>
<p>T02024</p>  <p>Steering Rack 缓冲连接片 1pcs</p>	<p>T02025</p>  <p>Rear body mount 后车壳柱 2pcs Wing angle shim 尾翼调整片 2pcs Wing bracket 尾翼架 2pcs Battery column 电池扣支柱 2pcs</p>	<p>T02026</p>  <p>Front bumper 前防撞板 1pcs Motor guard 马达罩 1pcs</p>	<p>T02027</p>  <p>Steering Servo horn-F 转向伺服臂F 1pcs Steering Servo horn-H 转向伺服臂H 1pcs Steering Servo horn-S 转向伺服臂S 1pcs</p>	<p>T02028</p>  <p>Servo plate 伺服机座 2pcs</p>

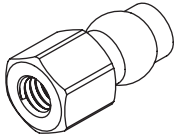
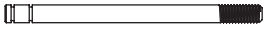

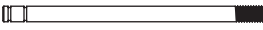













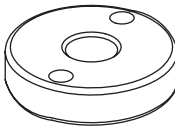



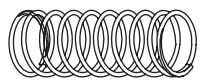

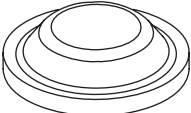

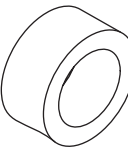

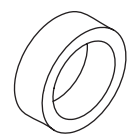

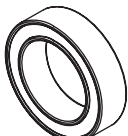


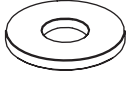

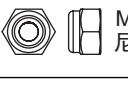












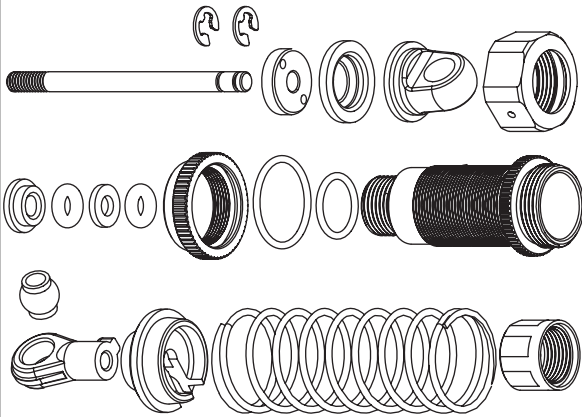
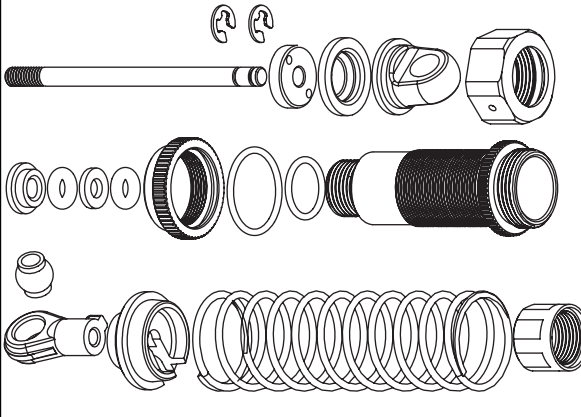


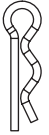
Parts list for TP02C off-road buggy - 2

TP02C配件包-2

<p>T02029</p>  <p>4.8 Ball End - Long 球头座-长 6pcs</p>	<p>T02030</p>  <p>4.8 Ball End - Short 球头座-短 2pcs 3x10 Screw 螺丝 1pcs</p>	<p>T02031</p>  <p>Upper cover nylon cap 上盖尼龙帽 2pcs Spring Mount 弹簧固定座 2pcs 5.8 Ball End 球头座 2pcs</p>	<p>T02032</p>  <p>Front rim 前轮框 2pcs</p>	<p>T02033</p>  <p>Rear rim 后轮框 2pcs</p>
<p>T02034</p>  <p>Hexagonal 六角座 4pcs 2x9.8 Pin 钢针 4pcs</p>	<p>T02035</p>  <p>1.0 Servo spacer 伺服机座垫片 2pcs 1.5 Servo spacer 伺服机座垫片 2pcs</p>	<p>T02037</p>  <p>Front hinge pin barce 前摆臂固定片 1pcs</p>	<p>T02038</p>  <p>Slipper pad 扭限摩擦片 2pcs</p>	<p>T02039</p>  <p>Slipper hub 扭限座 2pcs</p>
<p>T02040</p>  <p>Slipper Spring 扭限弹簧 1pcs</p>	<p>T02041</p>  <p>Top shaft spacer 衬套 1pcs</p>	<p>T02042</p>  <p>4.0 E-ring E扣 2pcs 2x9.8 Pin 钢针 2pcs Front wheel axle 前轮轴 2pcs</p>	<p>T02043</p>  <p>Buffer Nut 缓冲调整螺帽 1pcs 4.0 E-ring E扣 1pcs Buffer column-A 转向缓冲器支柱A 1pcs Buffer Spring 缓冲弹簧 1pcs Buffer column-B 转向缓冲器支柱B 1pcs</p>	
<p>T02044</p>  <p>3x10 Screw 螺丝 2pcs Block Carrier 缓冲钢套 2pcs 3x7x0.8 Washer 垫片 2pcs</p>	<p>T02091</p>  <p>3x54 Adjust Rod 正反牙螺杆 2pcs</p>	<p>T02046</p>  <p>Differential connecting hub - Short 滚差接杯-短 1pcs Differential connecting hub - Long 滚差接杯-长 1pcs</p>		<p>T02047</p>  <p>Differential Spring 滚差调整弹簧 1pcs</p>
<p>T02048</p>  <p>2.37mm Ball 钢珠 12pcs</p>	<p>T02049</p>  <p>17x23x1 Washer 垫片 2pcs</p>	<p>T02050</p>  <p>2.6x6x3 Stop push ball bearing 止推轴承 1pcs</p>	<p>T02051</p>  <p>idler gear shaft 减速齿轮轴 1pcs</p>	<p>T02052</p>  <p>Gear 20T 入力齿 1pcs</p>
<p>T02053</p>  <p>Pinion Gear 21T 马达齿 1pcs 3x3 Screw 螺丝 1pcs</p>	<p>T02054</p>  <p>2.3 E-ring E扣 4pcs 3x27.5 Hinge pin front outer 前摆臂销-外 2pcs</p>	<p>T02055</p>  <p>3x48 Hinge pin Rear inner 后摆臂销-内 2pcs</p>	<p>T02056</p>  <p>2.3 E-ring E扣 4pcs 3x34.5 Hinge pin front inner 前摆臂销-内 2pcs</p>	<p>T02057</p>  <p>2.3 E-ring E扣 4pcs 3x30.5 Hinge pin Rear outer 后摆臂销-外 2pcs</p>
<p>T02058</p>  <p>Rear CVD 后CVD万向传动轴 2pcs</p>	<p>T02092</p>  <p>Ball stud sponge 球头海绵 2pcs Ball stud-Long 球头-长 2pcs</p>	<p>T02093</p>  <p>Ball stud sponge 球头海绵 5pcs Ball stud-Short 球头-短 5pcs</p>	<p>T02061</p>  <p>Ball stud-Silvery 球头-银色 2pcs</p>	<p>T02062</p>  <p>5.8x6 Ball stud 球头 4pcs</p>



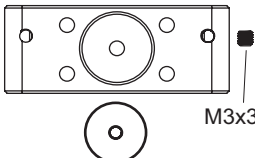

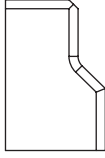

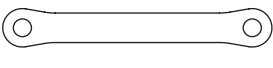
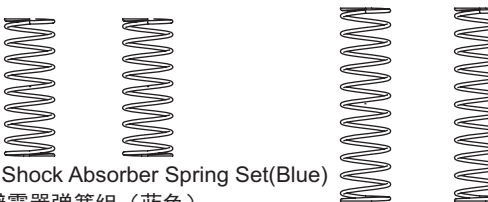
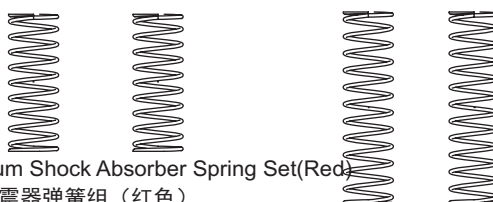
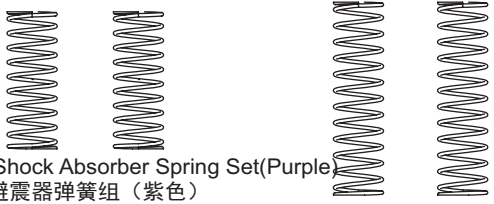
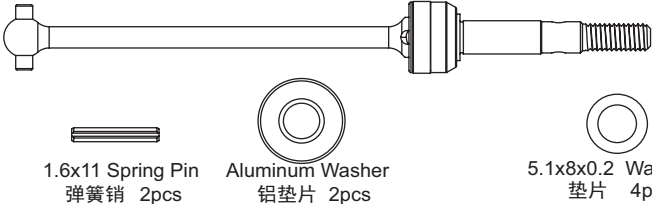
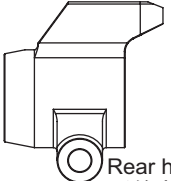
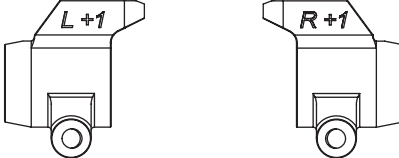

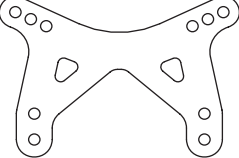







Parts list for TP02C off-road buggy - 3

TP02C配件包-3

<p>T02063</p>  <p>5mm Ball stud 球头 4pcs</p>	<p>T02064</p>  <p>3x42.5 Front Shock Absorber Shaft 前避震器轴 2pcs</p>  <p>2.3 E-ring E扣 4pcs</p>	<p>T02065</p>  <p>3x51 Rear Shock Absorber Shaft 后避震器轴 2pcs</p>  <p>2.3 E-ring E扣 4pcs</p>	<p>T02094</p>  <p>Front damper case 前油筒 2pcs</p>  <p>12x1 O-ring O环 2pcs</p>  <p>8x1 O-ring O环 2pcs</p>  <p>Spring adjuster 弹簧调节座 2pcs</p>  <p>Shock Absorber top cover 避震器上盖 2pcs</p>  <p>Shock Absorber below cover 避震器下盖 2pcs</p>	
<p>T02095</p>  <p>Rear damper case 后油筒 2pcs</p>  <p>12x1 O-ring O环 2pcs</p>  <p>8x1 O-ring O环 2pcs</p>  <p>Spring adjuster 弹簧调节座 2pcs</p>  <p>Shock Absorber top cover 避震器上盖 2pcs</p>  <p>Shock Absorber below cover 避震器下盖 2pcs</p>	<p>T02096</p>  <p>Shock piston 避震活塞 4pcs</p>	<p>T02097</p>  <p>3.1x1mm Washer 垫片 4pcs</p>  <p>2.8x1.9 O-ring O环 8pcs</p>  <p>3.5 Press washer 压垫 4pcs</p>	<p>T02071</p>  <p>Front Shock Absorber Spring 前避震器弹簧 2pcs</p>	
<p>T02072</p>  <p>Rear Shock Absorber Spring 后避震器弹簧 2pcs</p>	<p>T02073</p>  <p>Diaphragm 气室 4pcs</p>	<p>T02074</p>  <p>Rear-tyre 后轮胎 2pcs</p>  <p>Rear-Sponge 后轮胎海绵 2pcs</p>	<p>T02075</p>  <p>Front-tyre 前轮胎 2pcs</p>  <p>Front-Sponge 前轮胎海绵 2pcs</p>	<p>T02098</p>  <p>5x8x2.5 Ball Bearing 轴承 6pcs</p>
<p>T02099</p>  <p>10x15x4 Ball Bearing 轴承 6pcs</p>	<p>T02100</p>  <p>5x10x4 Ball Bearing 轴承 6pcs</p>	<p>T02080</p>  <p>3x6x2.5 Ball Bearing 轴承 4pcs</p>	<p>T02081</p>  <p>3x7x0.8 Washer 垫片 10pcs</p>	<p>T02084</p>  <p>M4 Flanged Nylon Nut 带边尼龙螺母 6pcs</p>  <p>M3 Nylon Nut 尼龙螺母 6pcs</p>
<p>T02082</p>  <p>2.6x8 Screw 螺丝 8pcs</p>  <p>3x5 Screw 螺丝 8pcs</p>  <p>3x8 Screw 螺丝 8pcs</p>  <p>3x10 Screw 螺丝 8pcs</p>  <p>3x12 Screw 螺丝 8pcs</p>  <p>3x15 Screw 螺丝 8pcs</p>  <p>3x22 Screw 螺丝 8pcs</p>  <p>3x25 Screw 螺丝 8pcs</p>			<p>T02083</p>  <p>3x8 Screw 螺丝 8pcs</p>  <p>3x10 Screw 螺丝 8pcs</p>  <p>3x15 Screw 螺丝 8pcs</p>  <p>3x8 Screw 螺丝 8pcs</p>	
<p>T02101</p>  <p>Front Shock Absorber 前避震器 2 Set</p>	<p>T02102</p>  <p>Rear Shock Absorber 后避震器 2 Set</p>	<p>T02085</p>  <p>2.3 E-ring E扣 8pcs</p>  <p>4.0 E-ring E扣 8pcs</p> <p>T02086</p>  <p>Small clip 小号插销 8pcs</p>		

Parts list for TP02C off-road buggy-4

TP02C配件包-4

<p>T02087</p>  <p>Double-sided tape 双面胶 1pcs</p> <p>Antenna pipe set cover 天线管帽 1pcs</p> <p>Antenna pipe set 天线管 1pcs</p>	<p>Tu0219 OP</p>  <p>C-Type-Holder 25 Degree - L 25° C型座-L 1pcs</p> <p>C-Type-Holder 25 Degree - R 25° C型座-R 1pcs</p>	<p>Tu0222 OP</p>  <p>M3x3</p> <p>Front arm mount 1Set 前摆臂固定座</p>		
<p>Tu0220 OP</p>  <p>C-Type-Holder 30 Degree - L 30° C型座-L 1pcs</p> <p>C-Type-Holder 30 Degree - R 30° C型座-R 1pcs</p>	<p>Tu0224 OP</p>  <p>Servo mount 2pcs 伺服器固定座</p>	<p>Tu0225 OP</p>  <p>M2x5 Screw 螺丝 4pcs</p> <p>5.1x8x0.2 Washer 垫片 4pcs</p> <p>Hex mount 六角座 4pcs</p>		
<p>Tu0226 OP</p>  <p>Front hinge pin brace 前摆臂固定片 1pcs</p>	<p>Tu0230 OP</p>  <p>Hard Shock Absorber Spring Set(Blue) 硬-避震器弹簧组 (蓝色)</p>	<p>Tu0231 OP</p>  <p>Medium Shock Absorber Spring Set(Red) 中-避震器弹簧组 (红色)</p>		
<p>Tu0232 OP</p>  <p>Soft Shock Absorber Spring Set(Purple) 软-避震器弹簧组 (紫色)</p>	<p>Tu0233 OP</p>  <p>Buggy CVD for ae rim 越野车-美式CVD 2pcs</p> <p>1.6x11 Spring Pin 弹簧销 2pcs</p> <p>Aluminum Washer 铝垫片 2pcs</p> <p>5.1x8x0.2 Washer 垫片 4pcs</p>			
<p>Tu0236 OP</p>  <p>Rear hub carriers 后轮座 2pcs</p>	<p>Tu0237 OP</p>  <p>Rear Hub 1 Degree-L 后轮座1° -L 1pcs</p> <p>Rear Hub 1 Degree-R 后轮座1° -R 1pcs</p>	<p>Tu0238 OP</p>  <p>Ceramic Ball 2.37mm 陶瓷珠 12pcs</p>	<p>Tu0240 OP</p>  <p>Carbon Front Shock Tower - Buggy 碳纤维前避震架-越野车 1pcs</p>	
<p>H475 OP</p>  <p>3x3 Screw 1pcs</p> <p>Aluminium Motor Gear-15T 铝合金马达齿-15T 1pcs</p>	<p>H476 OP</p>  <p>3x3 Screw 1pcs</p> <p>Aluminium Motor Gear-16T 铝合金马达齿-16T 1pcs</p>	<p>H477 OP</p>  <p>3x3 Screw 1pcs</p> <p>Aluminium Motor Gear-17T 铝合金马达齿-17T 1pcs</p>	<p>H478 OP</p>  <p>3x3 Screw 1pcs</p> <p>Aluminium Motor Gear-18T 铝合金马达齿-18T 1pcs</p>	<p>H479 OP</p>  <p>3x3 Screw 1pcs</p> <p>Aluminium Motor Gear-19T 铝合金马达齿-19T 1pcs</p>
<p>H480 OP</p>  <p>3x3 Screw 1pcs</p> <p>Aluminium Motor Gear-20T 铝合金马达齿-20T 1pcs</p>	<p>H482 OP</p>  <p>3x3 Screw 1pcs</p> <p>Aluminium Motor Gear-22T 铝合金马达齿-22T 1pcs</p>			

TP02C



SETUP SHEET for the
TeamC TP02C

Driver _____

Track / City _____

Event _____ Date ____ / ____ / ____

Conditions

- | | | | |
|--|--------------------------------|---------------------------------------|---------------------------------------|
| <input type="checkbox"/> Smooth | <input type="checkbox"/> Bumpy | <input type="checkbox"/> Low traction | <input type="checkbox"/> Med traction |
| <input type="checkbox"/> High traction | <input type="checkbox"/> Sandy | <input type="checkbox"/> Grass | <input type="checkbox"/> Hard soil |
| <input type="checkbox"/> Clay | <input type="checkbox"/> Wet | <input type="checkbox"/> Dry | <input type="checkbox"/> Dusty |
| | | | <input type="checkbox"/> Other |

Front Suspension

Shock Mounting&Camber link

Toe-in (+)/Out (-) _____ °
Bump Steep Spacer _____

Caster
 25°
 30°

Washers _____ mm

Camber _____ °

Washers _____ mm

Ride height _____

Front Shocks

Spring(color)
 Black

Oil _____ wt
Piston # _____

Rear Suspension

Shock Mounting&Camber link

Wheelbase
 Long
 Medium
 Short

Camber _____ °
Normal

Aluminum(Opt)
Washers _____ mm

Ride height _____

Rear Shocks

Spring(color)
 Black

Oil _____ wt
Piston # _____

Front Tires&Wheels

Front Tires _____
Inserts _____ Wheels _____

Rear Tires&Wheels

Rear Tires _____
Inserts _____ Wheels _____

Batteries

Servo _____
Esc _____
Batteries _____

Motor

Motor _____
Pinion/Spur _____ / _____

Other

Wing _____
Wing Angle 4° 10°

Comments

Notes _____



www.teamcracing.net