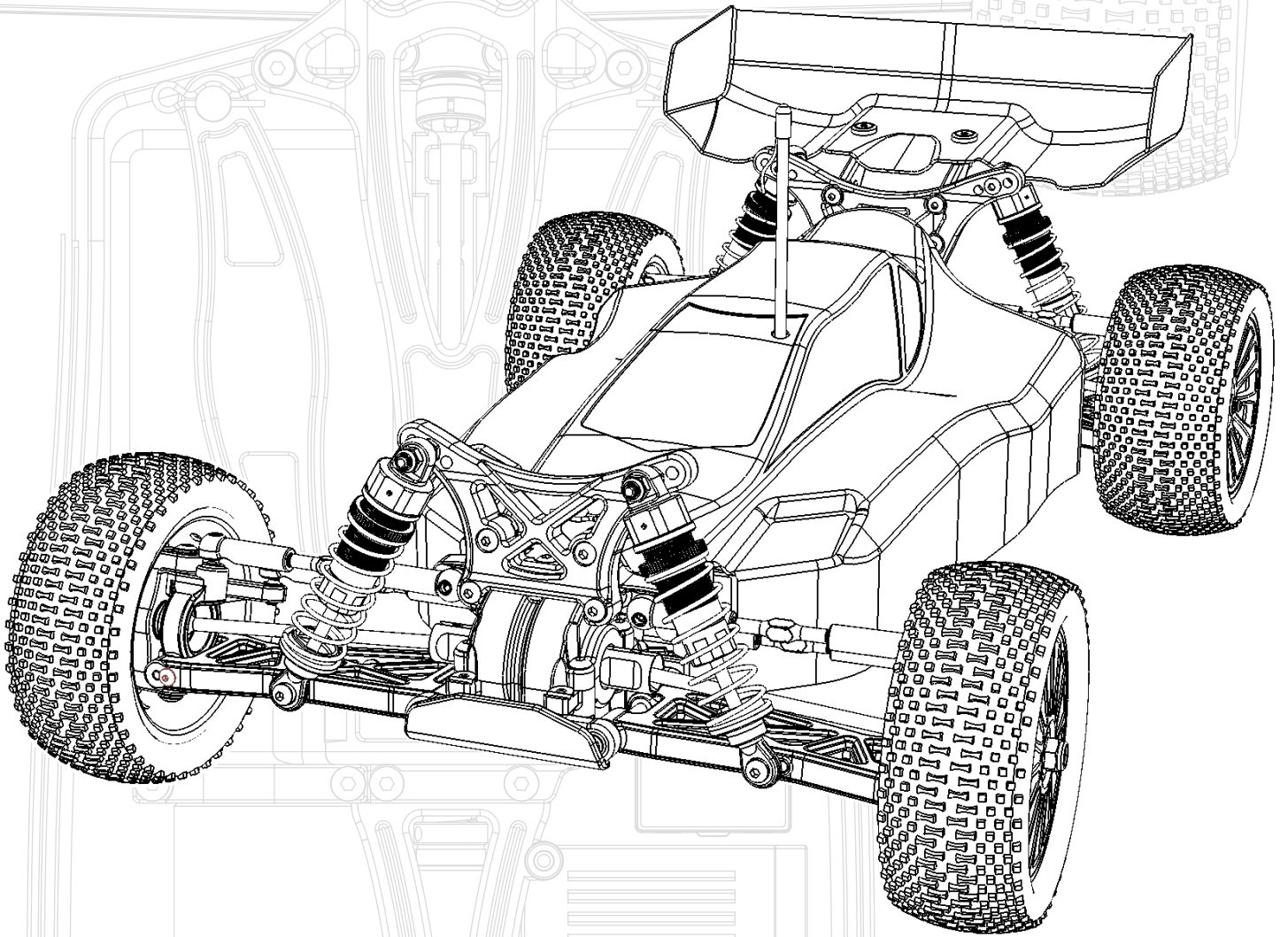


Team

TR04 Pro

www.teamcracing.net



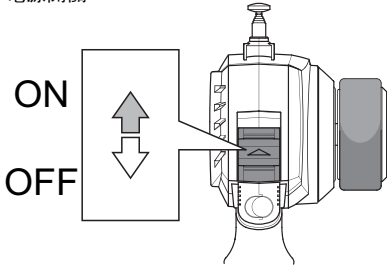
1:10 SCALE RADIO CONTROLLED ELECTRIC POWERED 4WD BUGGY

Length 長度.....	410mm
Width 寬度.....	250mm
Height 高度.....	140mm

Transmitter Preparation

調整遙控器

Power Switch
電源開關



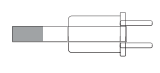
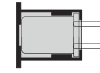
Antenna
天線

Extend the antenna to the maximum Length for best performance
天線拉的越長性能越好

27MHz Transmitter Crystal (TX)
27MHz 發射機晶片 (TX)

Transmitter crystal (TX)
發射機晶片

Receiver crystal (RX)
接收機晶片



The crystal can be replaced to change frequencies.
Note: You must also change receiver crystals!
Do not use AM crystals

更換晶片可以改變頻率
注意：你也必須改變接收機晶片！

Battery Level Indicator
電池標準指示燈



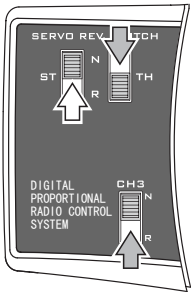
Good Batteries
標準的電池



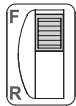
Low Batteries (Light Blinks)
低電的電池 (電燈閃爍)

Reverse Switch
反向開關

! Servo Factory Settings
! 工廠安裝 (當轉向/油門反向時調整用)



4 3ch Switch
第三動作開關



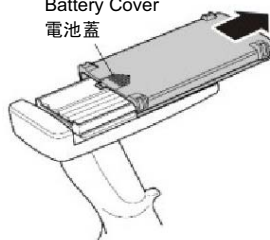
This switch is used for optional parts.
這個開關用於選擇部分

Transmitter Battery Installation
遙控器電池安裝

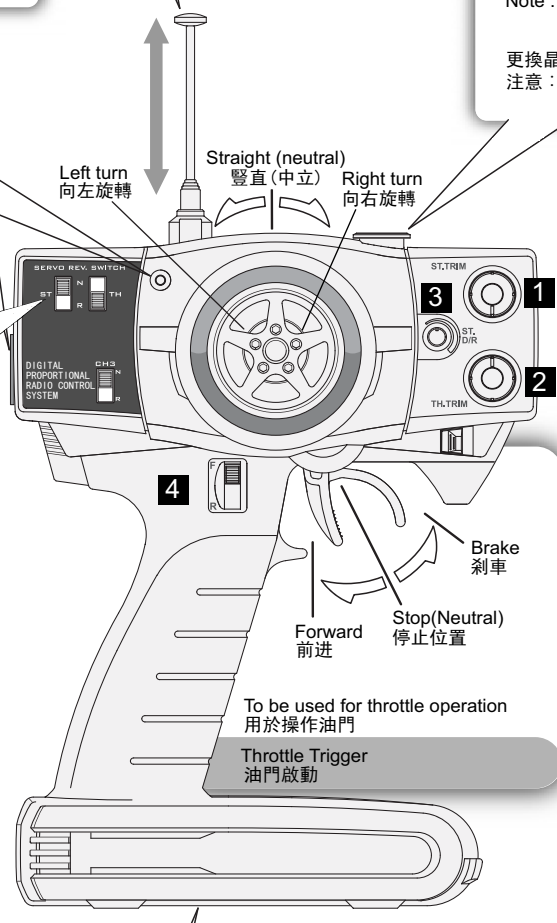
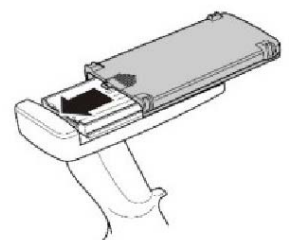
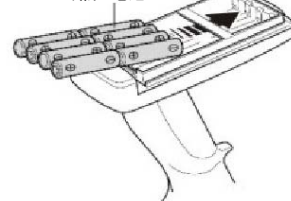
Open battery cover at the bottom of transmitter.
Install batteries. Follow the direction of batteries
designated in the inside of battery box.

在遙控器的底部打開電池蓋子，安裝電池。
跟隨電池的指示在電池盒裡面指定

Battery Cover
電池蓋



8X AA Alkaline Batteries
AA 鹼性電池



1 Steering Trim
方向調整

To be used for trimming the steering operation
用於調整轉向中立點

2 Throttle Trim
油門前進/後退(剎車)調整

To be used for trimming the throttle operation
用於調整油門中立點

3 Steering Dual Rate
轉向舵角量

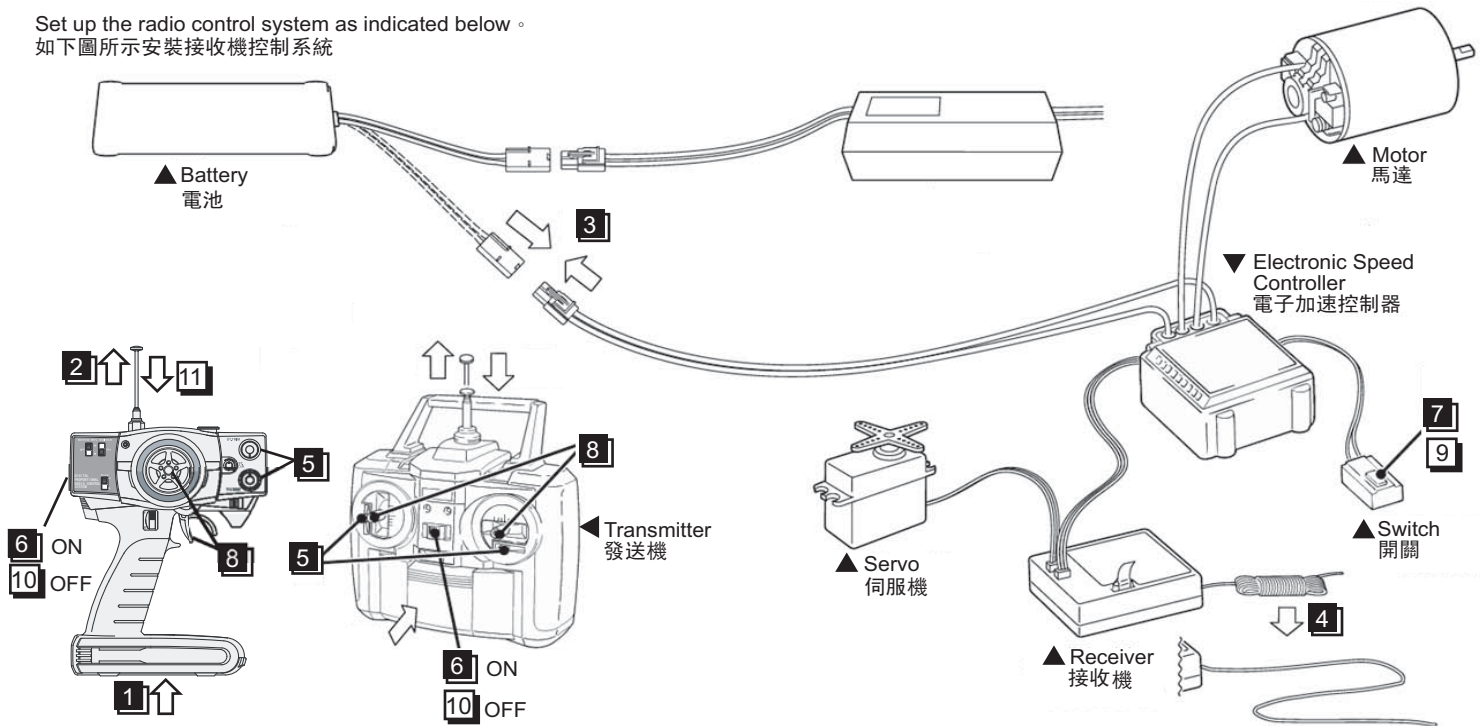
To be used to adjust steering servo throw
用來調整轉向伺服

Transmitter Preparation

調整遙控器

A new Ni-MH battery must be charged before it is used. Refer to the charger instruction manual for charging.
 在使用之前，一個新電池必須先充電。詳情請參考充電器說明書。

Set up the radio control system as indicated below.
 如下圖所示安裝接收機控制系統



● Start

- 1 Install batteries.(Transmitter)
- 2 Extend the antenna.(Transmitter)
- 3 Connect the battery
- 4 Extend the antenna.(Receiver)
- 5 Center the trims.
- 6 Switch on.(Transmitter)
- 7 Switch on.(Receiver)
- 8 Make sure the servos are in command.

● Finish

- 9 Switch off.(Receiver)
- 10 Switch off.(Transmitter)
- 11 Retract the antenna(Transmitter)

● 開始

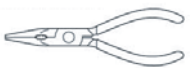
- 1 安裝電池(發送機)
- 2 拉出天線(發送機)
- 3 連接電池
- 4 拉出天線(接收機)
- 5 中心對整齊
- 6 開關(發送機)
- 7 開關(接收機)
- 8 確定控制伺服機

● 結束

- 9 關閉開關(接收機)
- 10 關閉開關(發送機)
- 11 收回天線(發送機)

Tools required 組裝需要的工具

- Needle Nose Pliers
尖嘴鉗



- Awl
錐



- Grease
潤滑油



- Screw Cement
螺絲膠水



- Instant Glue
瞬間膠水



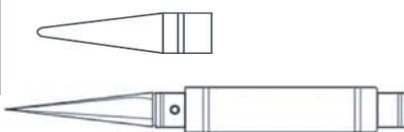
- Ball differential Grease(Clear)
差速滾珠油(清澈)



- Molybdenum Grease(Black)
鉬油(黑)



- SP KINFE EDGE REAMER
刀刃 絞刀



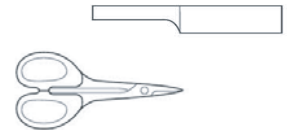
No need to pre-drill precise holes
(1mm to 15mm) can be drilled

可以對預鑽的孔準確的鑽深
1mm-15mm, 不需要穿透

- Wire Cutters
鋼絲鉗



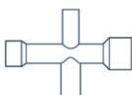
- ROUND CUTTER & SANDER
剪刀 & 挫刀



- Hex Wrench
六角扳手



- Hex Wrench
十字套筒



- Sharp Hobby knife
美工刀



For trimming bodies!
用於修剪車殼!

1 Arm Mount
擺臂固定座

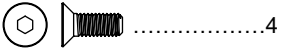
Bag-A Bag-B



T04002
Front Arm Mount-Rear
前擺臂固定座-後

TR4001
Chassis
底盤

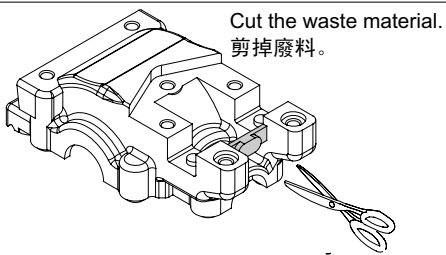
TR4058 M3x8 Screw
M3x8螺絲



TR4058
M3x8

2 Diff-gear Box / Motor Mount
差速齒輪箱/馬達座

Bag-B



TR4016
Center Gear-box-lower
中齒輪箱-底座

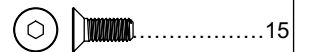
TR4050
Motor Mount
馬達座

TR4003
Rear Gear-box-lower
後齒輪箱-底座

TR4002
Front Gear-box-lower
前齒輪箱-底座

TR4058 M3x8

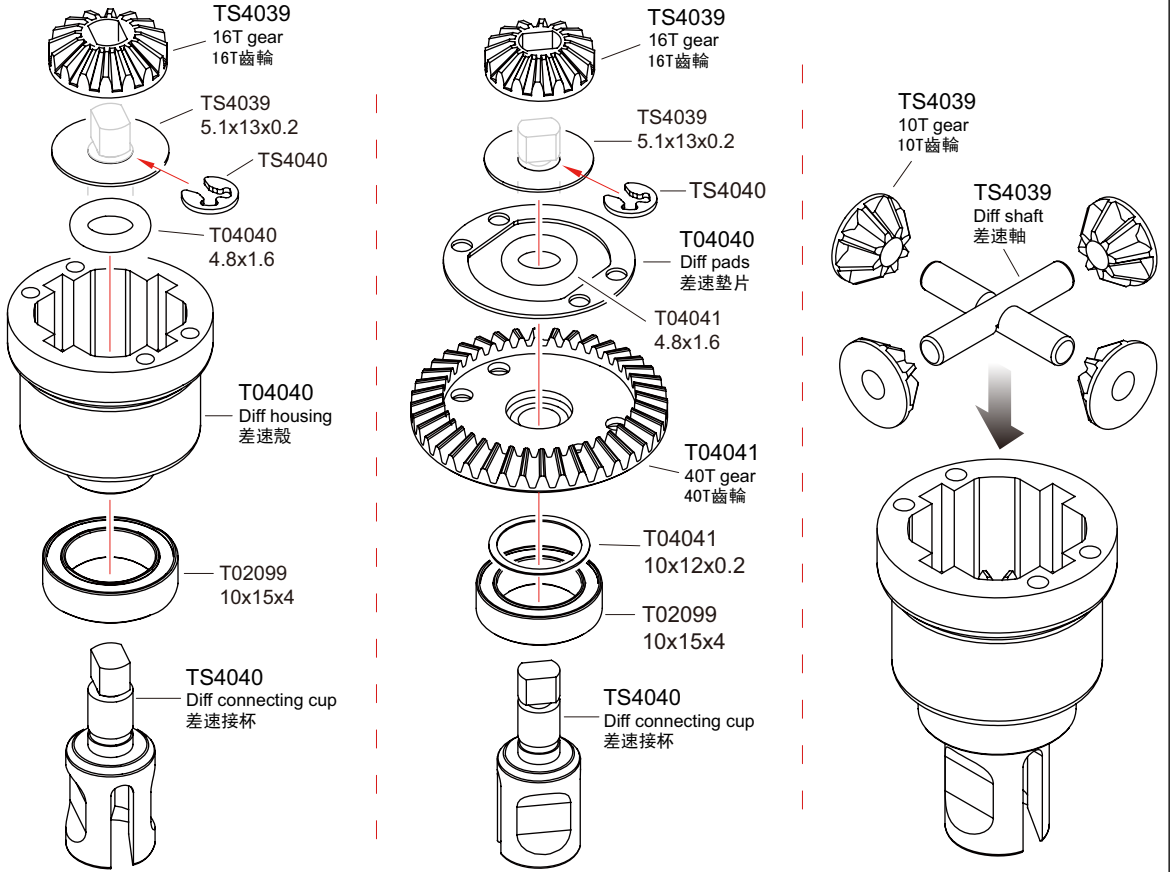
TR4058 M3x8 Screw
M3x8螺絲



Apply threadlocker(screw cement)
打螺絲膠水

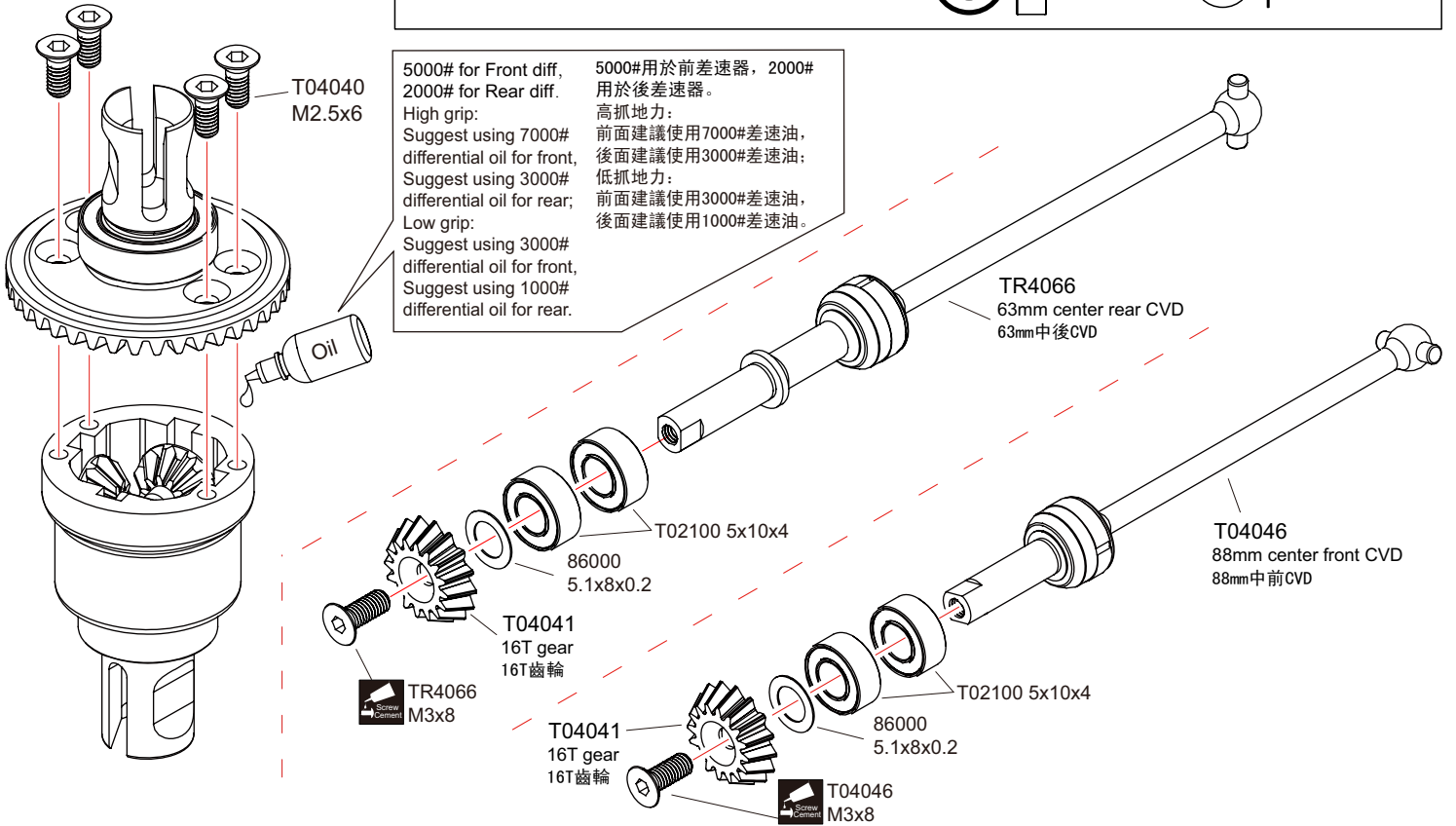
3 Diff 差速器 **x2** Bag-B

- TS4040 3.0 E-ring 3.0 E扣4
- TS4039 5.1x13x0.2 Washer 5.1x13x0.2墊片4
- T04040 4.8x1.6 O-ring 4.8x1.6 O環4
- T02099 10x15x4 Ball Bearing 10x15x4軸承4
- TS4039 Diff shaft 差速軸4
- T04041 10x12x0.2 Washer 10x12x0.2墊片2



4 Diff / Mid CVD 差速器/中CVD **F/R** Bag-B

- T04040 M2.5x6 Screw M2.5x6螺絲8
- TR4066/T04046 M3x8 Screw M3x8螺絲2
- T02100 5x10x4 Ball Bearing 5x10x4軸承4
- 86000 5.1x8x0.2 Washer 5.1x8x0.2墊片2



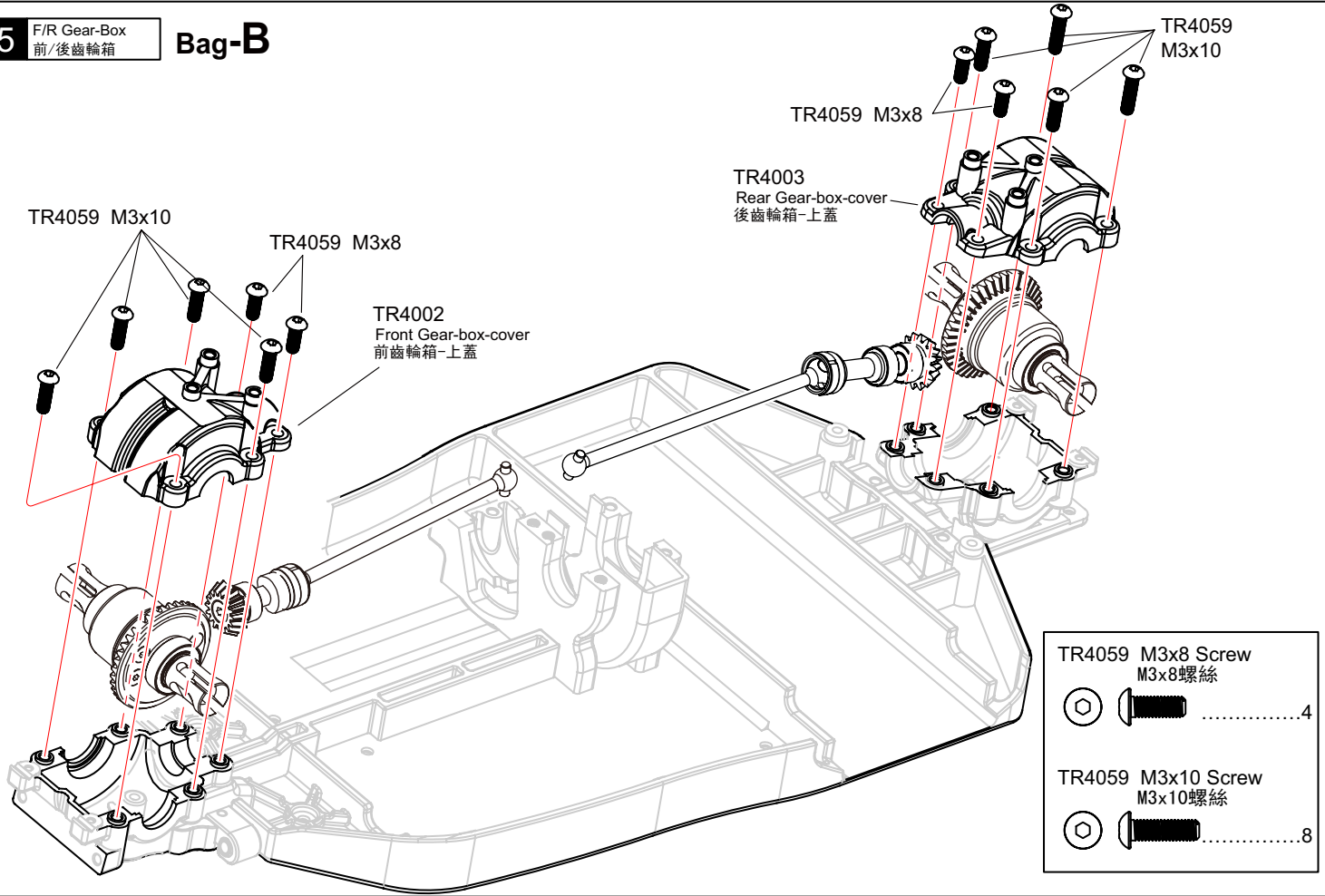
x2 Assemble as many times as specified 需組裝數量

Apply threadlocker(screw cement) 打螺絲膠水

F/R Assemble front and rear sides the same way 前後裝法相同

5 F/R Gear-Box
前/後齒輪箱

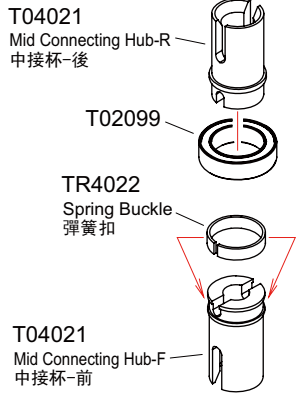
Bag-B



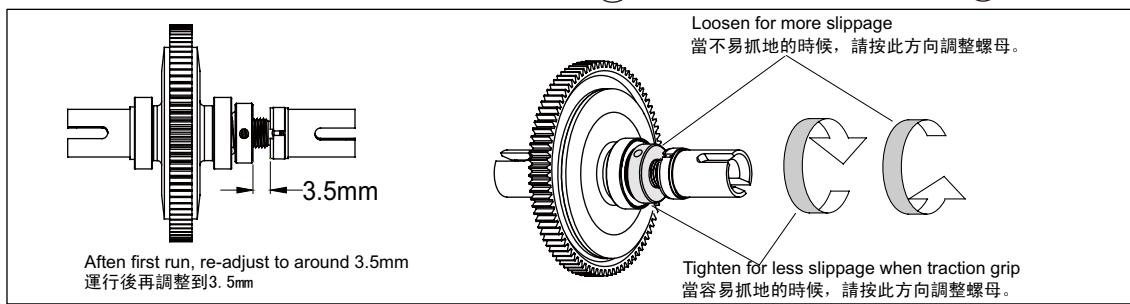
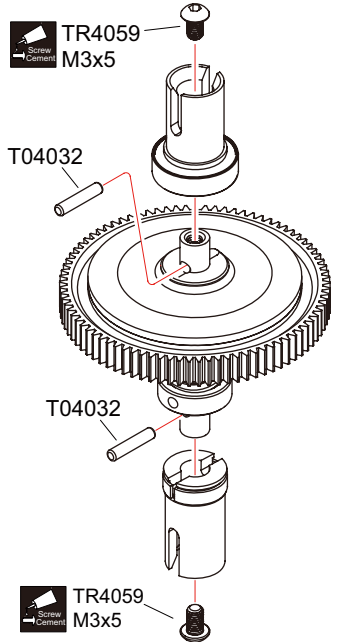
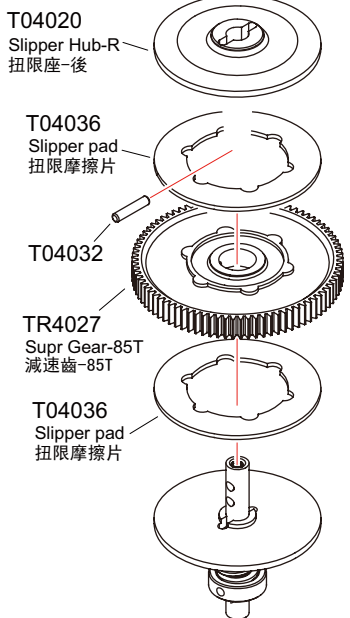
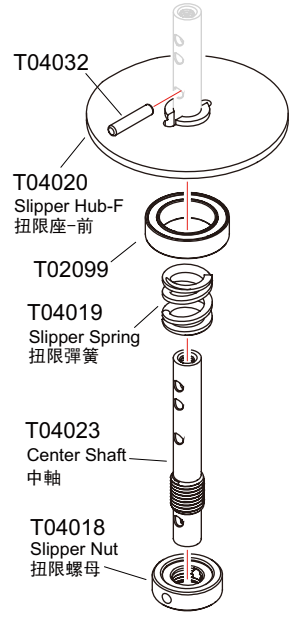
- TR4059 M3x8 Screw
M3x8螺絲 4
- TR4059 M3x10 Screw
M3x10螺絲 8

6 Slipper set
扭限組

Bag-B

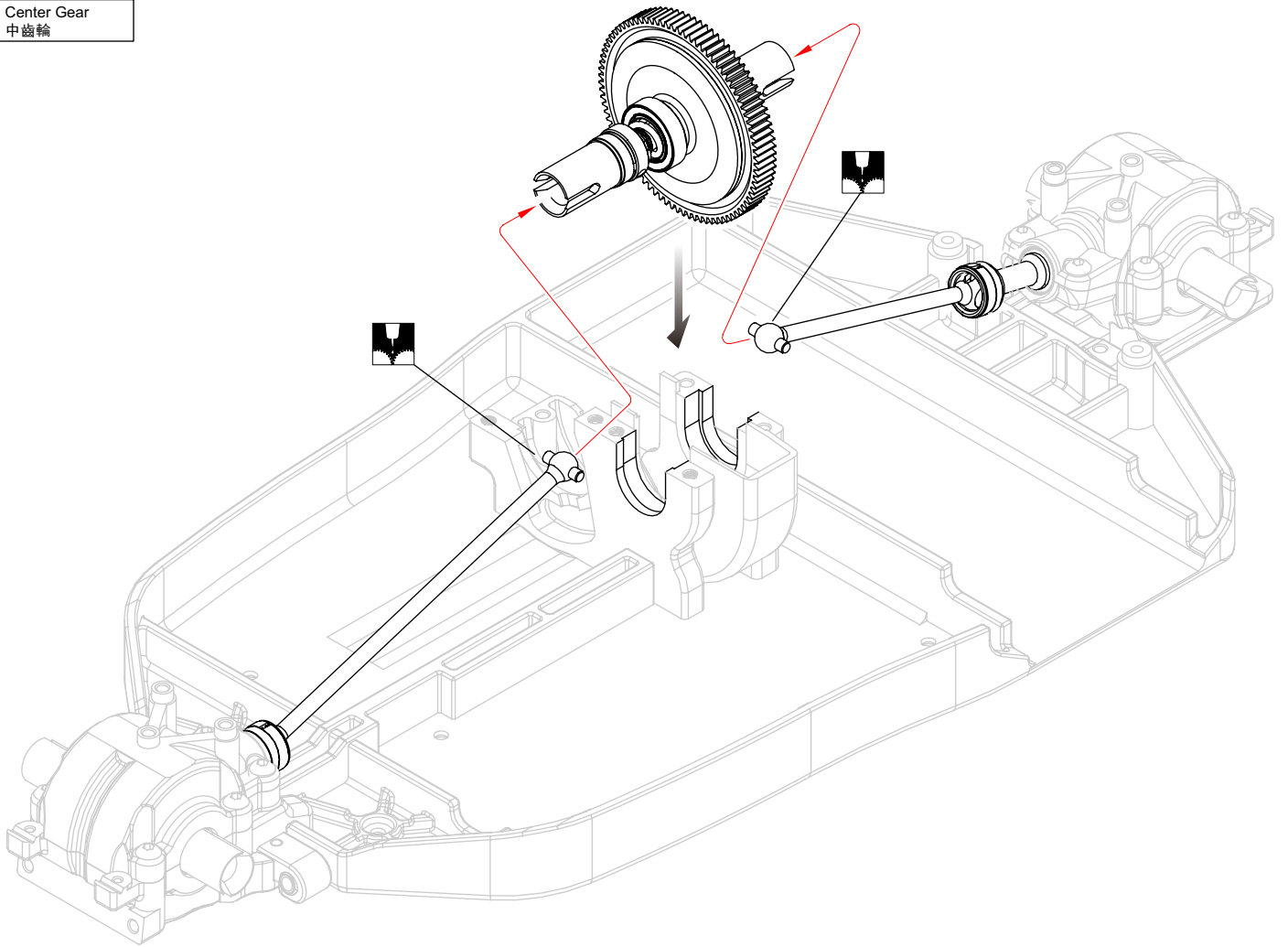


- T04032 2x9.8 Pin
2x9.8鋼針 4
- TR4059 M3x5 Screw
M3x5螺絲 2
- T02099 10x15x4 Ball Bearing
10x15x4軸承 2



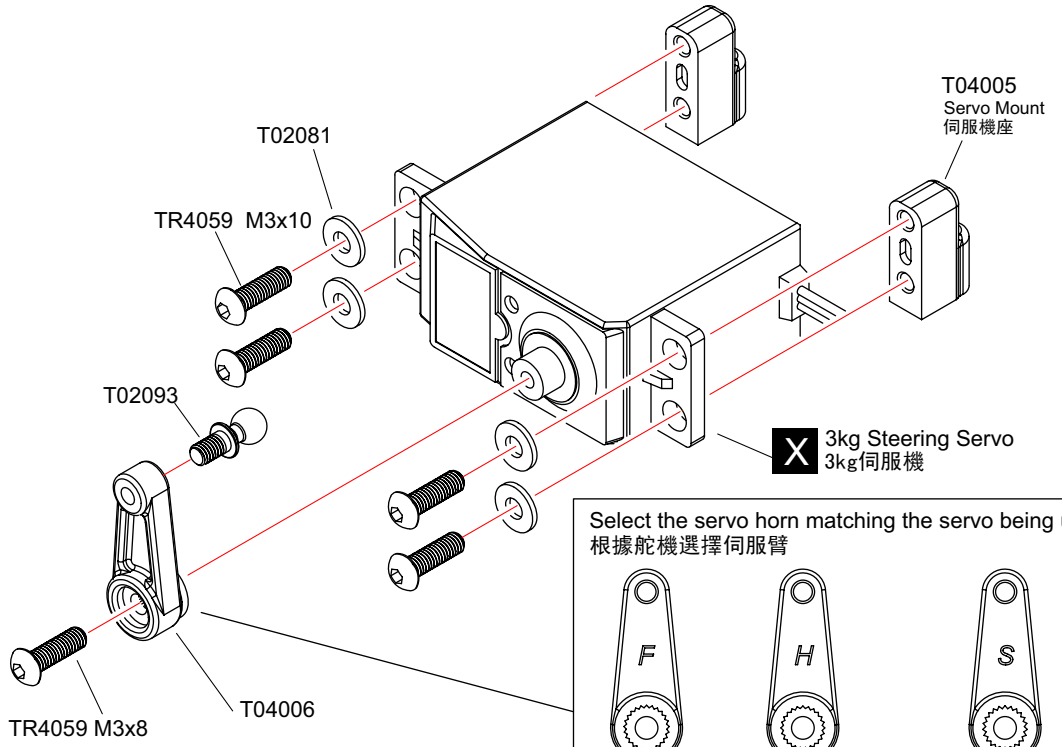
Apply threadlocker(screw cement)
打螺絲膠水

7 Center Gear
中齒輪

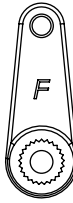




8 Steering Servo
轉向伺服系統 **Bag-C**


- TR4059 M3x8 Screw
M3x8 螺絲1
- TR4059 M3x10 Screw
M3x10 螺絲4
- T02093 Ball stud-Short
球頭-短1
- T02081 3x7x0.8 Washer
3x7x0.8 墊片4



Select the servo horn matching the servo being used.
根據舵機選擇伺服臂

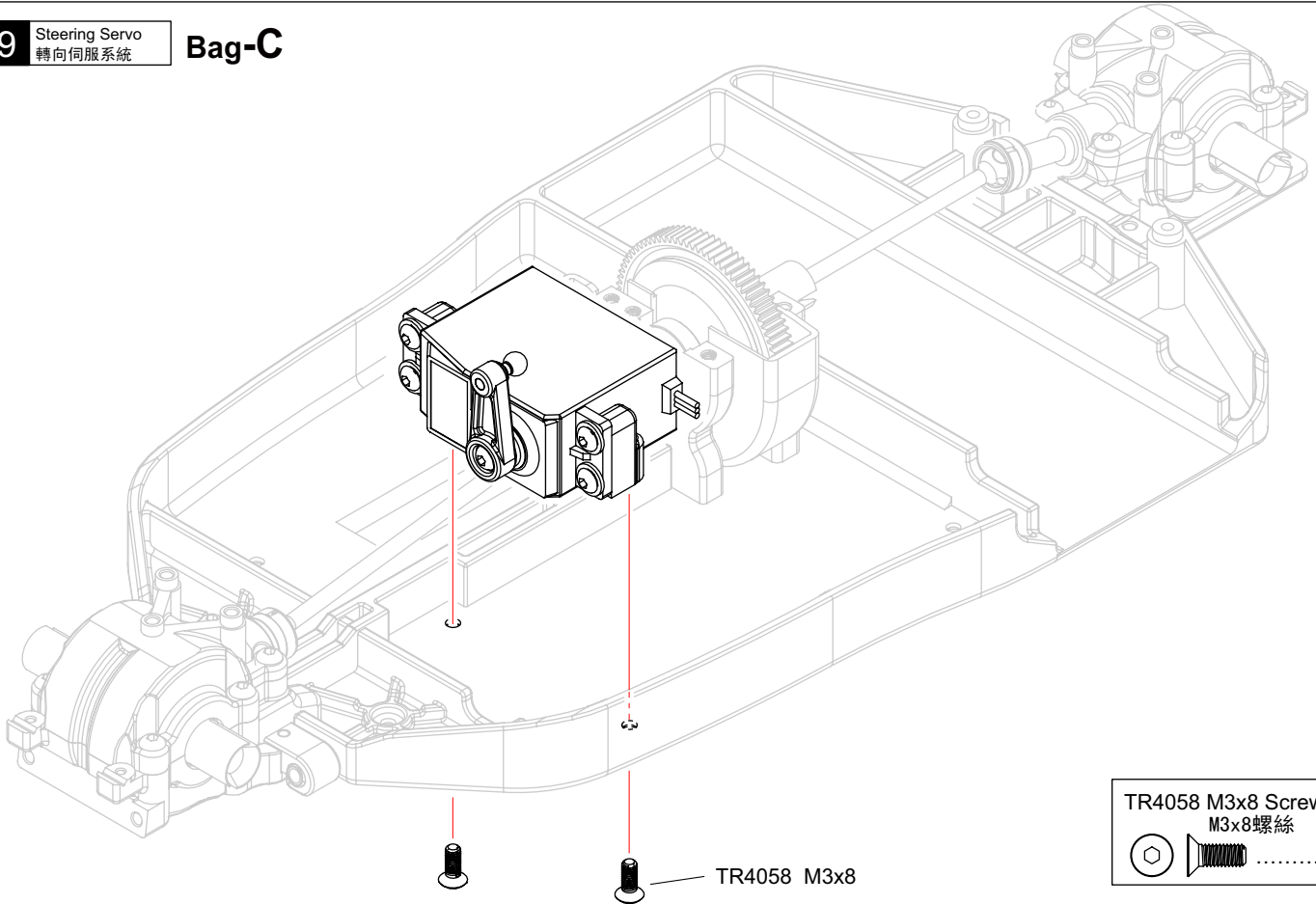
 F Futaba - 25t	 H Hitec - 24t	 S Sanwa / JR / KO - 23t
---	--	--

 Apply grease
塗油脂

 Must be purchased separately
需另購物品

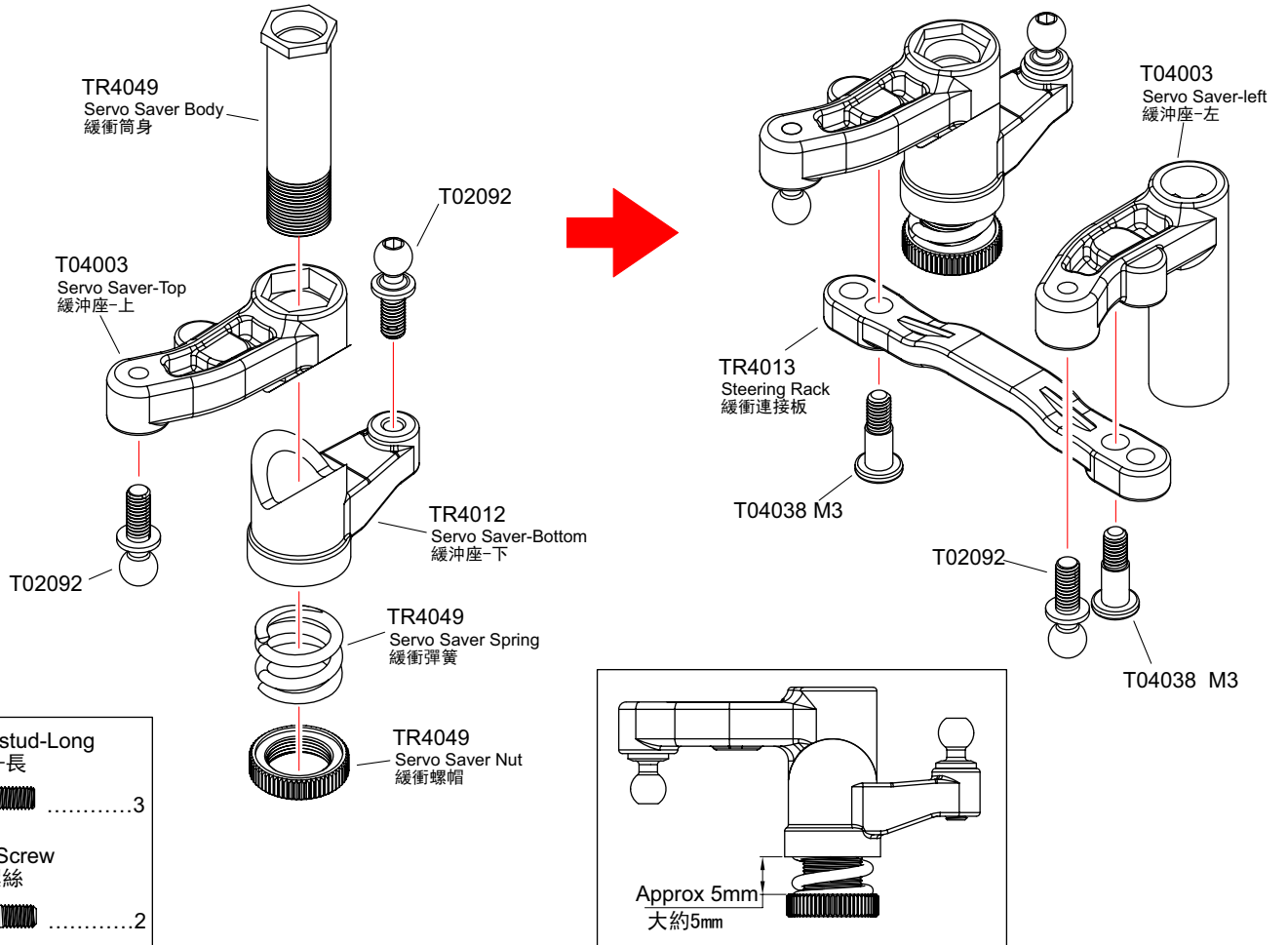
9 Steering Servo
轉向伺服系統

Bag-C



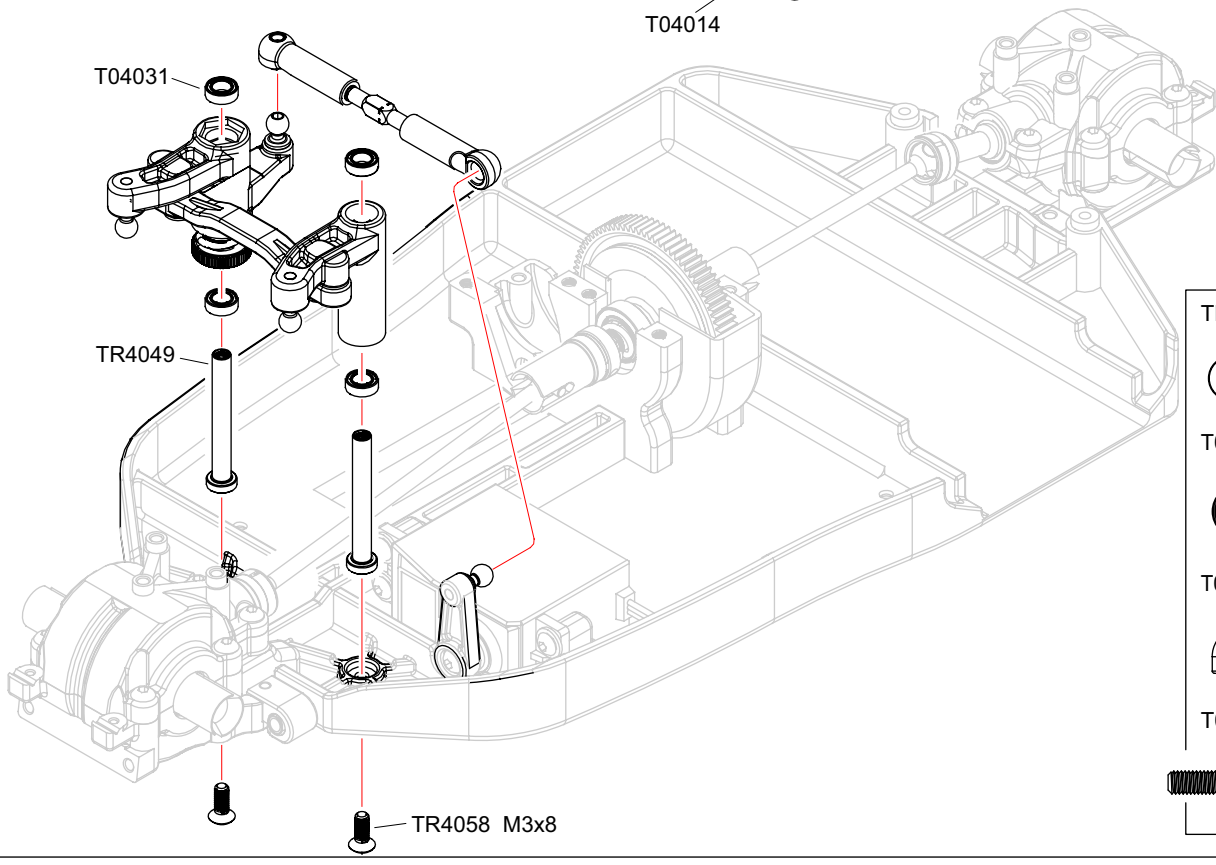
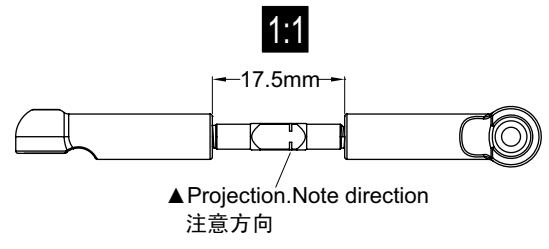
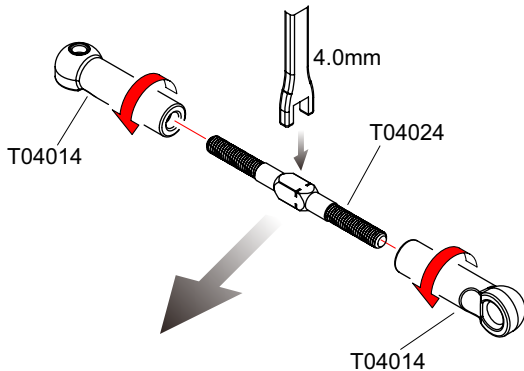
10 Buffer
緩沖

Bag-C



11 Buffer
緩沖

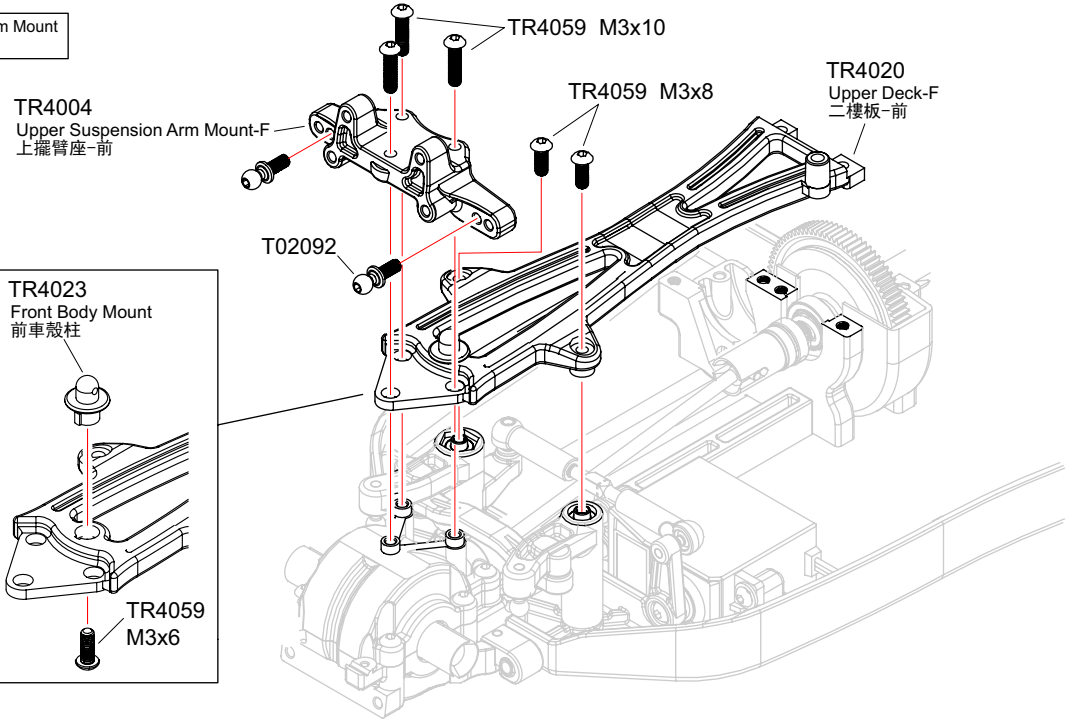
Bag-C



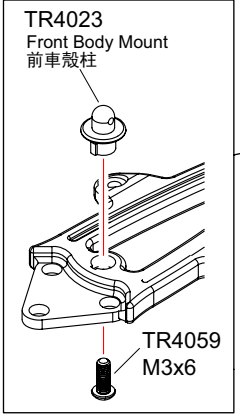
- TR4058 M3x8 Screw
M3x8螺絲2
- T04031 4x7x2.5 Ball bearing
4x7x2.5軸承4
- T04014 4.8mm Ball End-Long
4.8mm球頭座-長2
- T04024 3x40 Turnbuckle
3x40 拉桿1

12 Upper Deck-Front / Front Upper Suspension Arm Mount
二樓板-前/前上擺臂座

Bag-C

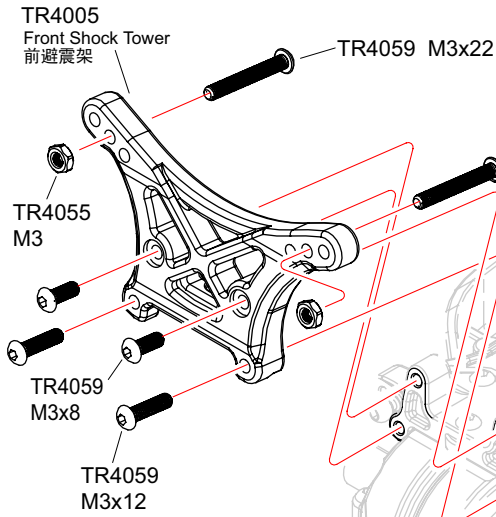


- TR4059 M3x6 Screw
M3x6螺絲1
- TR4059 M3x8 Screw
M3x8螺絲2
- TR4059 M3x10 Screw
M3x10螺絲3
- T02092 Ball stud-Long
球頭-長2



13 Front Shock Tower
前避震架

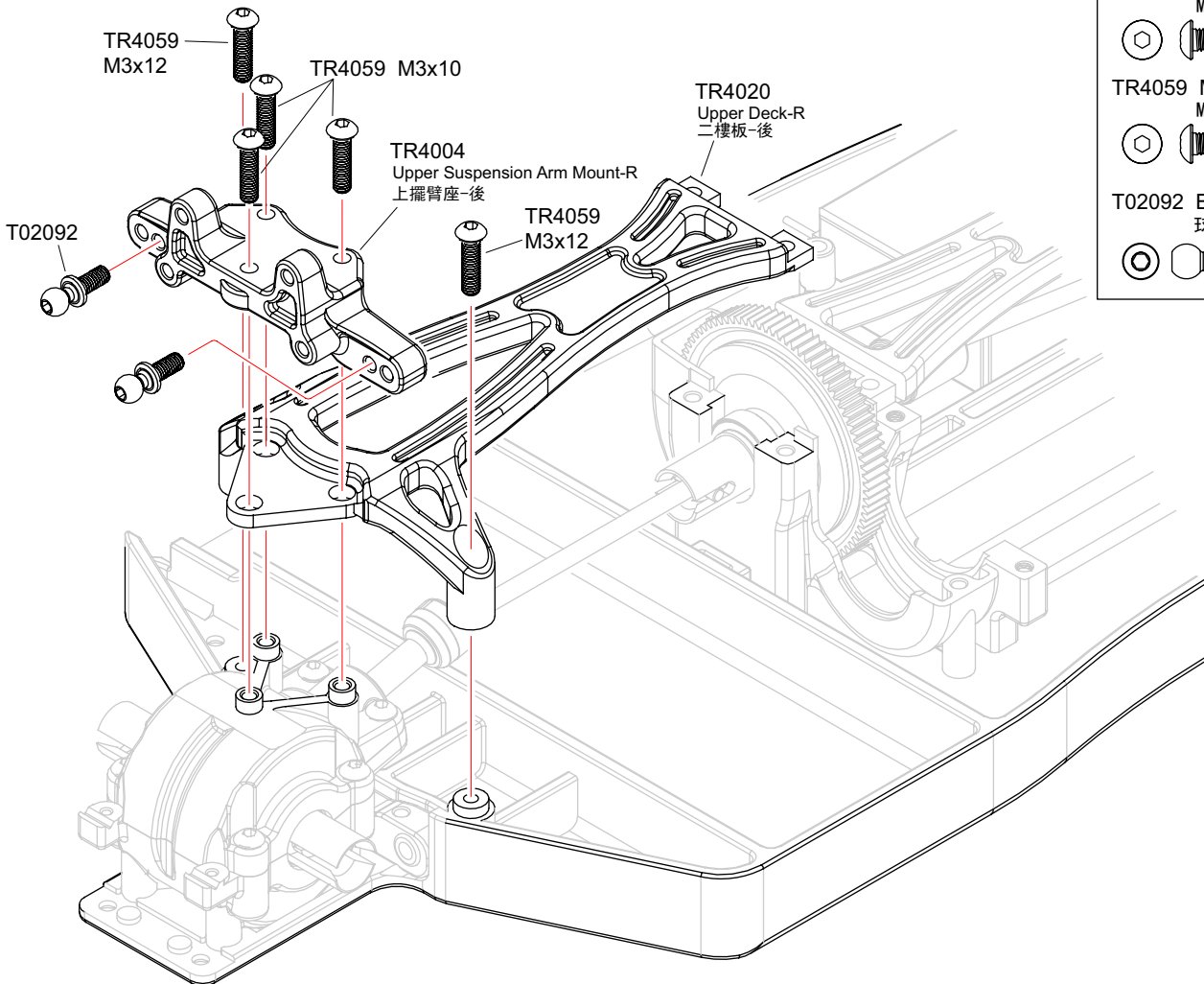
Bag-C



TR4055 M3 Nut M3螺帽	TR4059 M3x8 Screw M3x8螺絲	TR4059 M3x12 Screw M3x12螺絲	TR4059 M3x22 Screw M3x22螺絲
.....
.....2222

14 Upper Deck-Rear / Rear Upper Suspension Arm Mount
二樓板-後/後上擺臂座

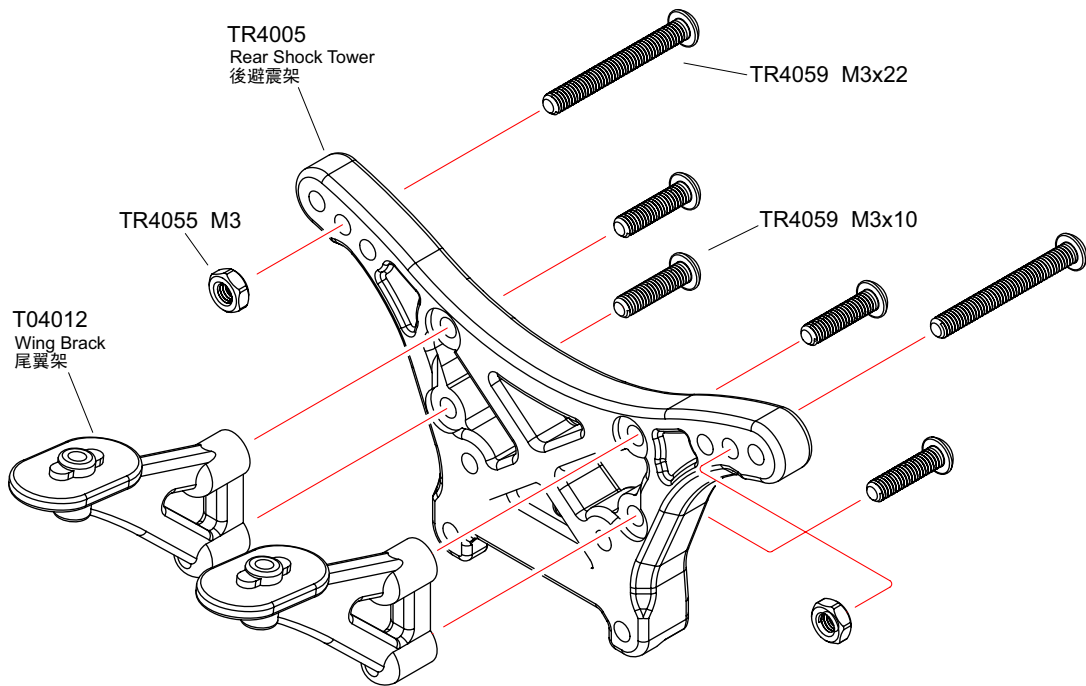
Bag-C



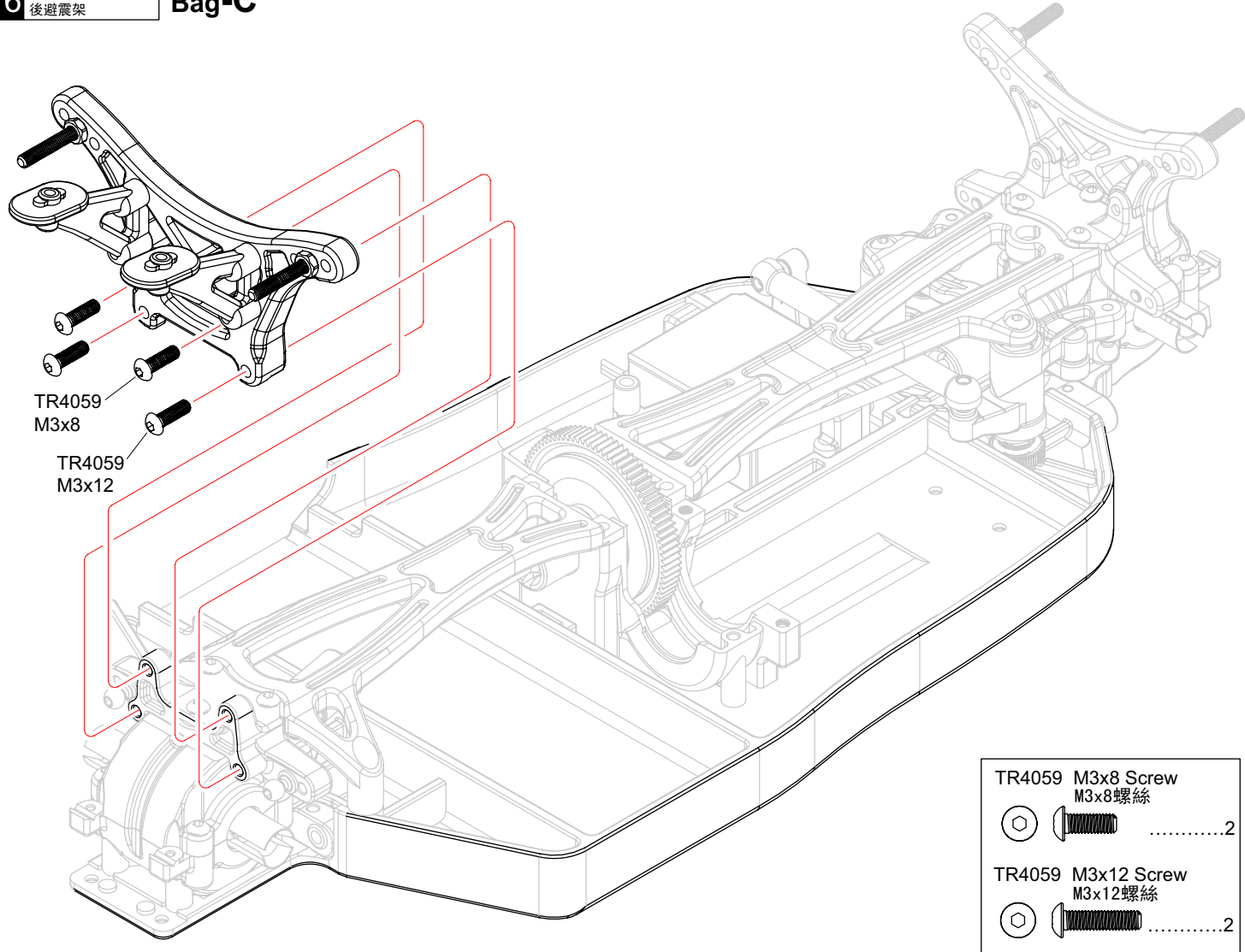
TR4059 M3x10 Screw M3x10螺絲	TR4059 M3x12 Screw M3x12螺絲	T02092 Ball stud-Long 球頭-長
.....
.....322

15 Rear Shock Tower
後避震架 **Bag-C**

- TR4055 M3 Nut
M3螺帽2
- TR4059 M3x10 Screw
M3x10螺絲4
- TR4059 M3x22 Screw
M3x22螺絲2



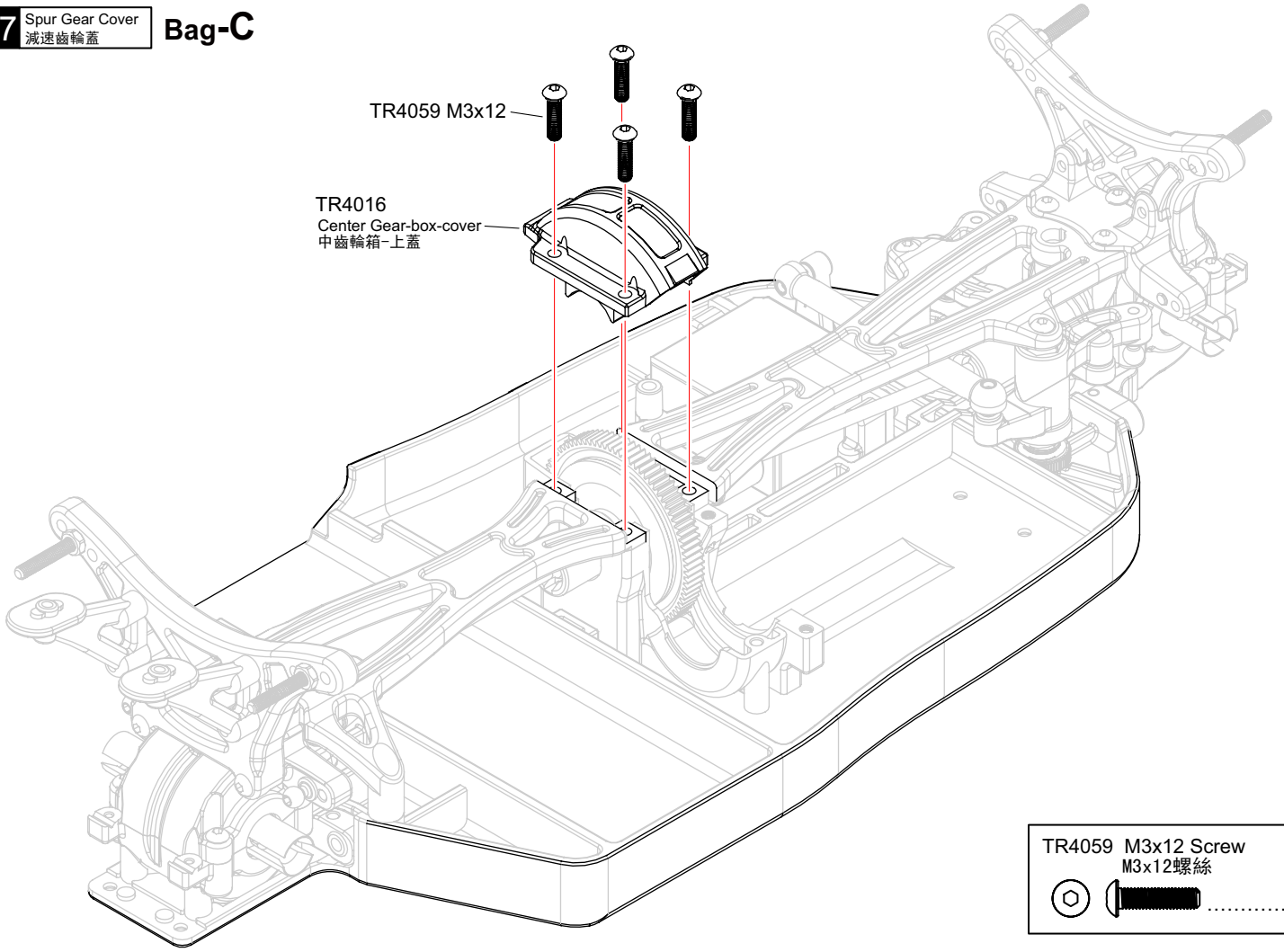
16 Rear Shock Tower
後避震架 **Bag-C**



- TR4059 M3x8 Screw
M3x8螺絲2
- TR4059 M3x12 Screw
M3x12螺絲2

17 Spur Gear Cover
減速齒輪蓋

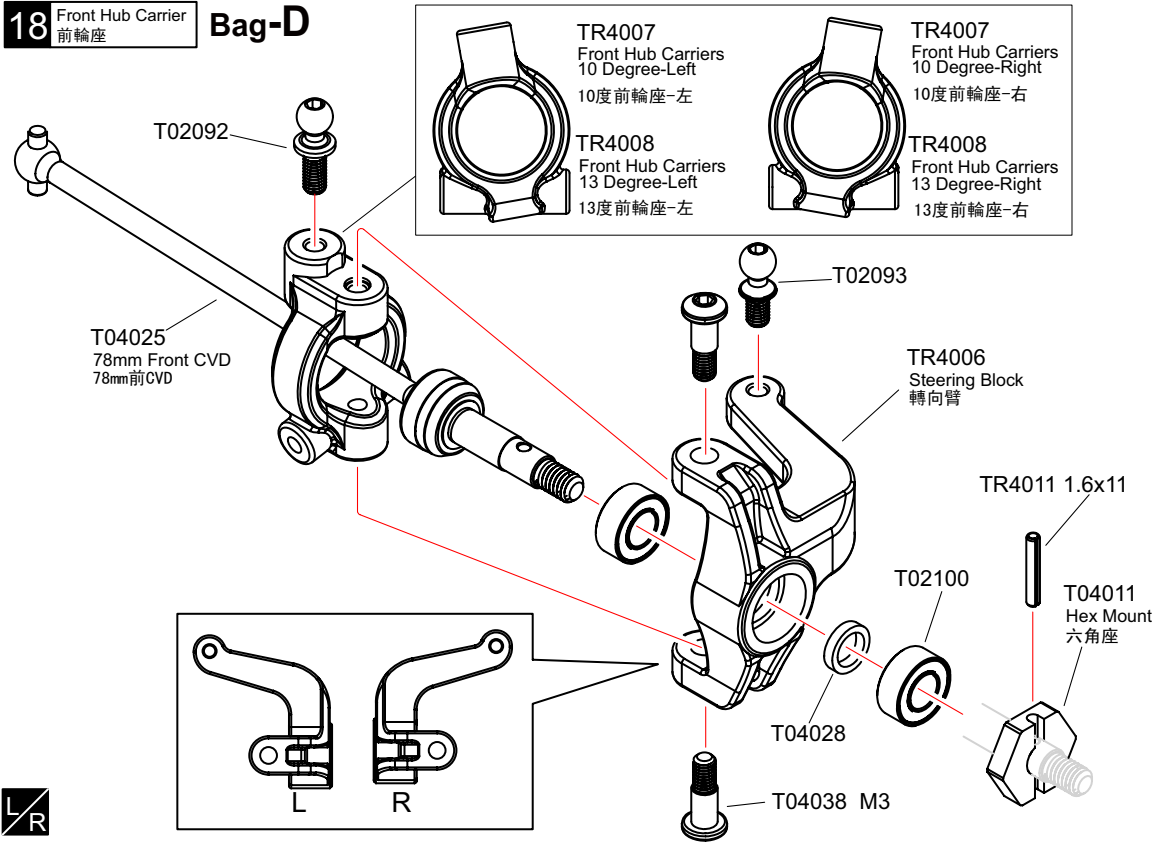
Bag-C



- TR4059 M3x12 Screw
M3x12螺絲
- 4

18 Front Hub Carrier
前輪座

Bag-D



- TR4011 1.6x11 Spring Pin
1.6x11彈簧銷
- 2
- T04028 Front bearing collar
前輪軸套
- 2
- T02093 Ball stud-Short
球頭-短
- 2
- T02092 Ball stud-Long
球頭-長
- 2
- T04038 M3 Screw
M3螺絲
- 4
- T02100 5x10x4 Ball Bearing
5x10x4軸承
- 4

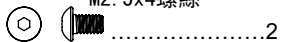


Assemble both Left and Right
組裝左和右

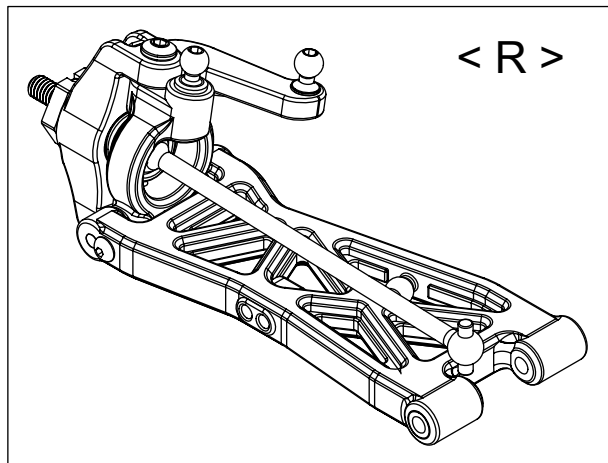
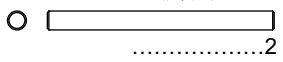
19 Front Hub Carrier
前輪座

Bag-D

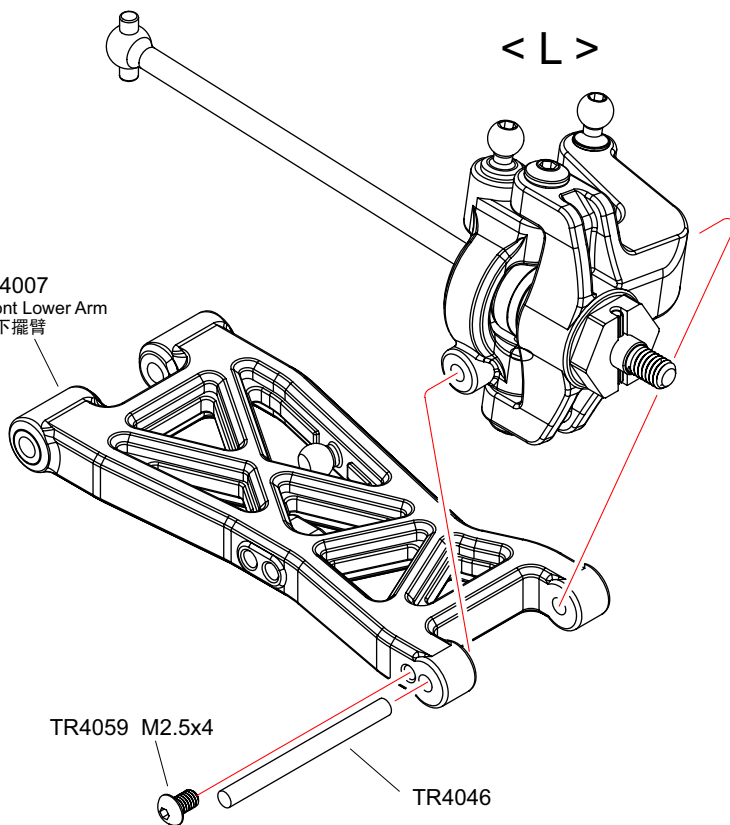
TR4059 M2.5x4 Screw
M2.5x4螺絲



TR4046 2.5x30 Arm Pin
2.5x30擺臂軸



T04007
Front Lower Arm
前下擺臂

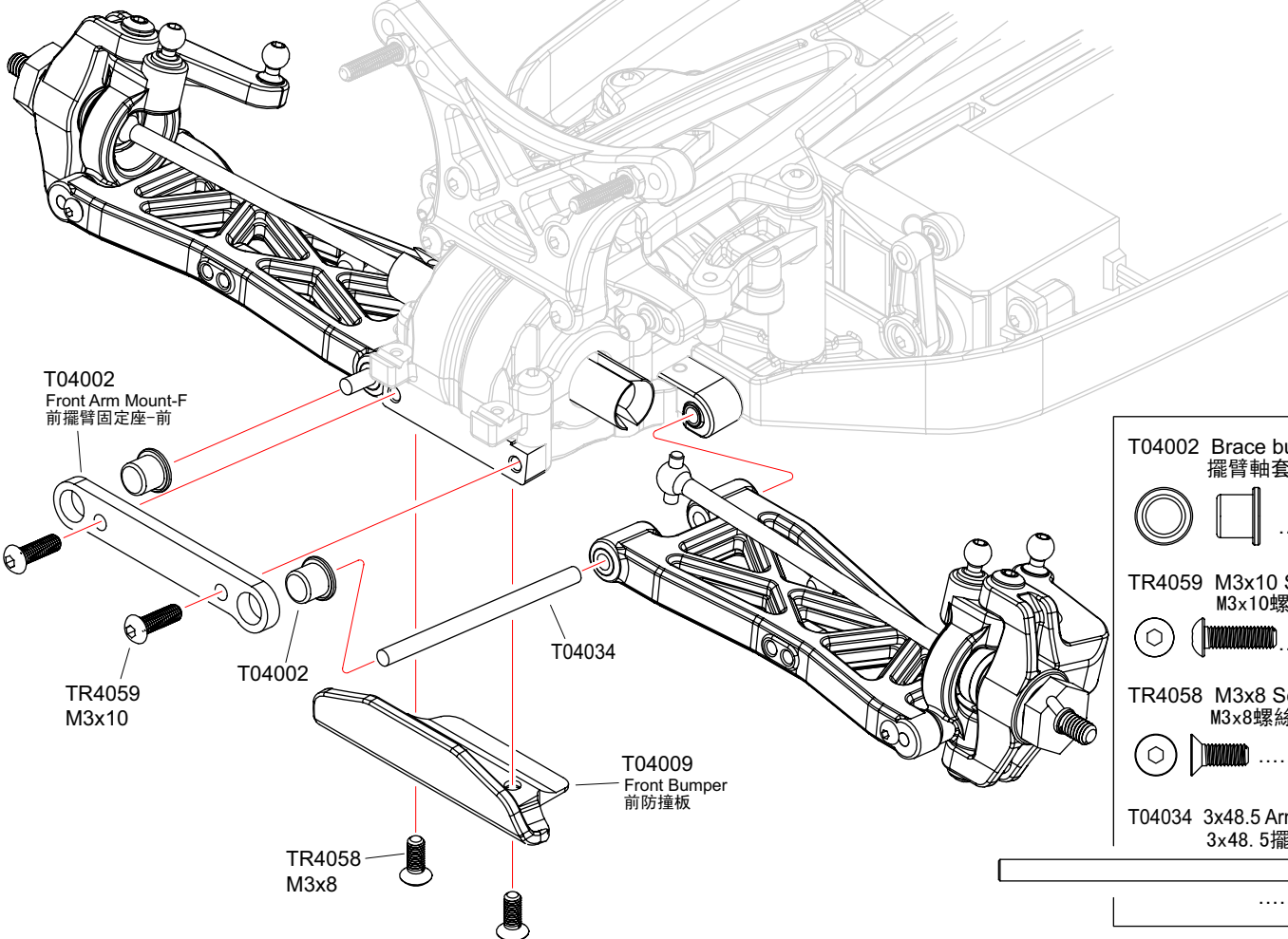


TR4059 M2.5x4

TR4046

20 Front Suspension Arm
前擺臂

Bag-D



T04002
Front Arm Mount-F
前擺臂固定座-前

T04034

T04009
Front Bumper
前防撞板

TR4059
M3x10

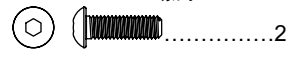
T04002

TR4058
M3x8

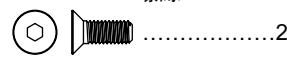
T04002 Brace bushing
擺臂軸套



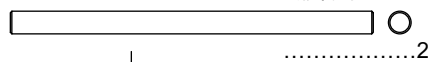
TR4059 M3x10 Screw
M3x10螺絲



TR4058 M3x8 Screw
M3x8螺絲



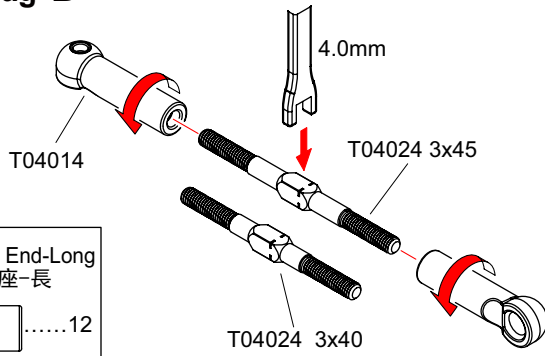
T04034 3x48.5 Arm shaft
3x48.5擺臂軸



LR Assemble both Left and Right
組裝左和右

21 Turnbuckle
拉桿

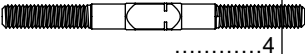
Bag-D



T04014 4.8mm Ball End-Long
4.8mm球頭座-長



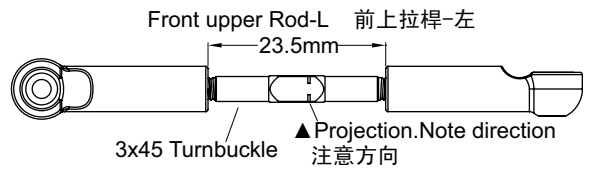
T04024 3x40 Turnbuckle
3x40 拉桿



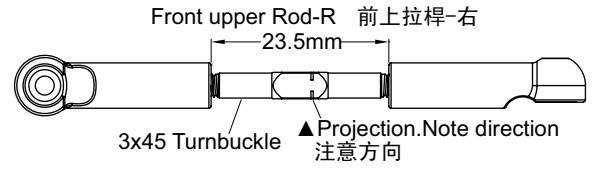
T04024 3x45 Turnbuckle
3x45 拉桿



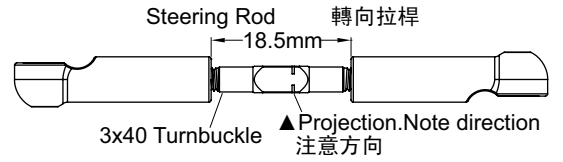
1:1 x1



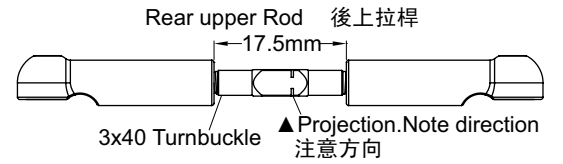
1:1 x1



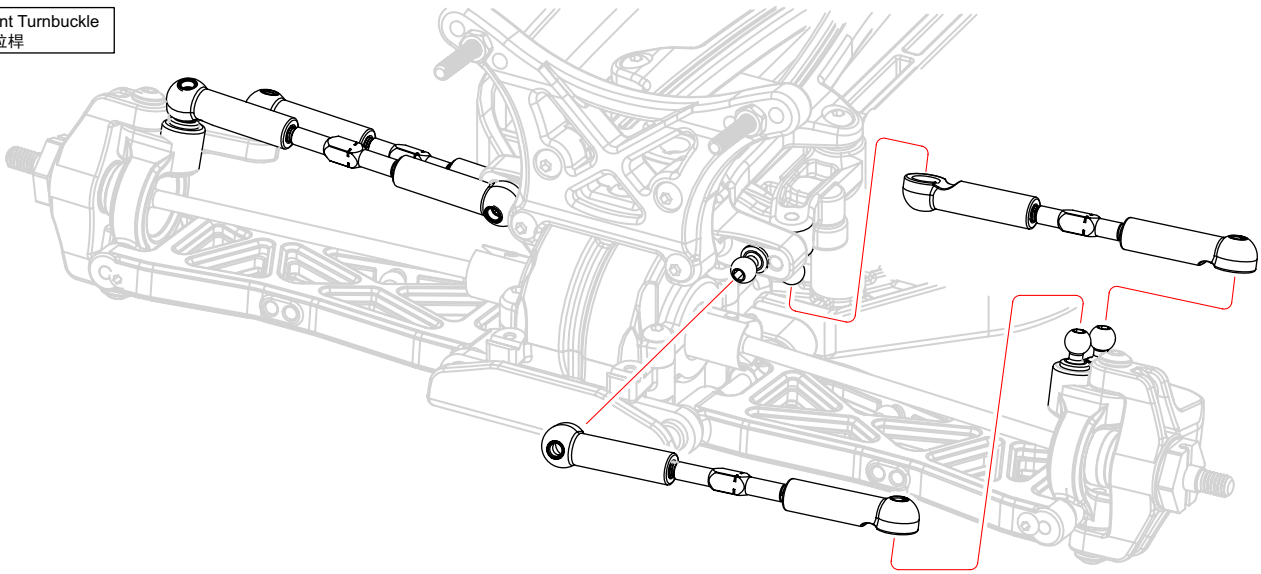
1:1 x2



1:1 x2



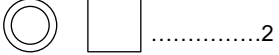
22 Front Turnbuckle
前拉桿



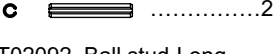
23 Rear Hub Carrier
後輪座

Bag-D

T04028 Rear bearing collar
後輪軸套



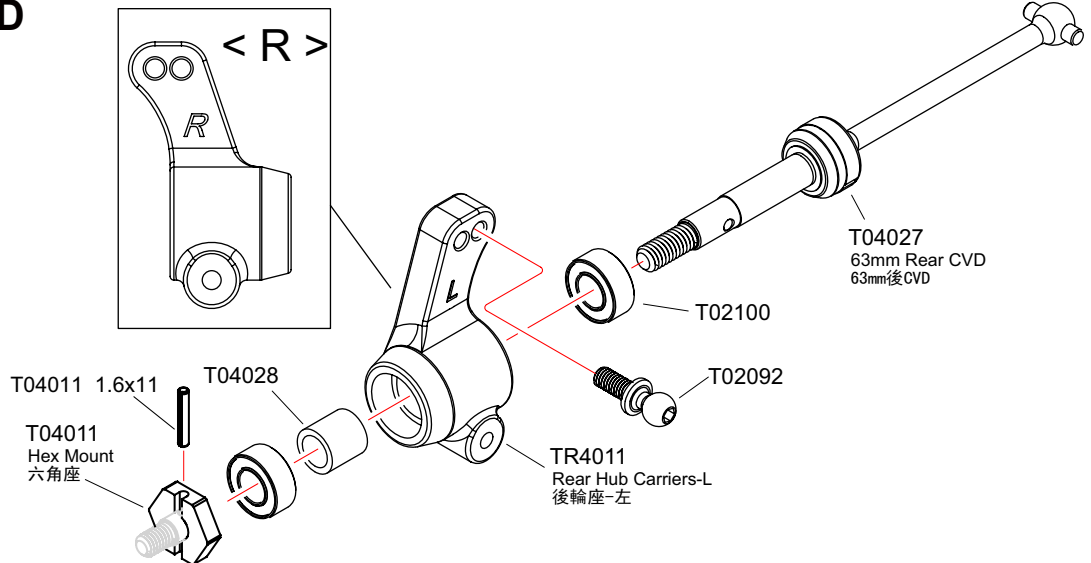
TR4011 1.6x11 Spring Pin
1.6x11彈簧銷



T02092 Ball stud-Long
球頭-長



T02100 5x10x4 Ball Bearing
5x10x4軸承



1:1 True-to-scale diagram
圖形比例

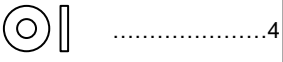
x2 Assemble as many times as specified
需組裝數量

L/R Assemble both Left and Right
組裝左和右

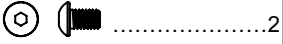
24 Rear Hub Carrier
後輪座

Bag-D

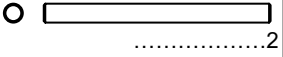
TR4011 2.5x6x1 Washer
2.5x6x1 墊片



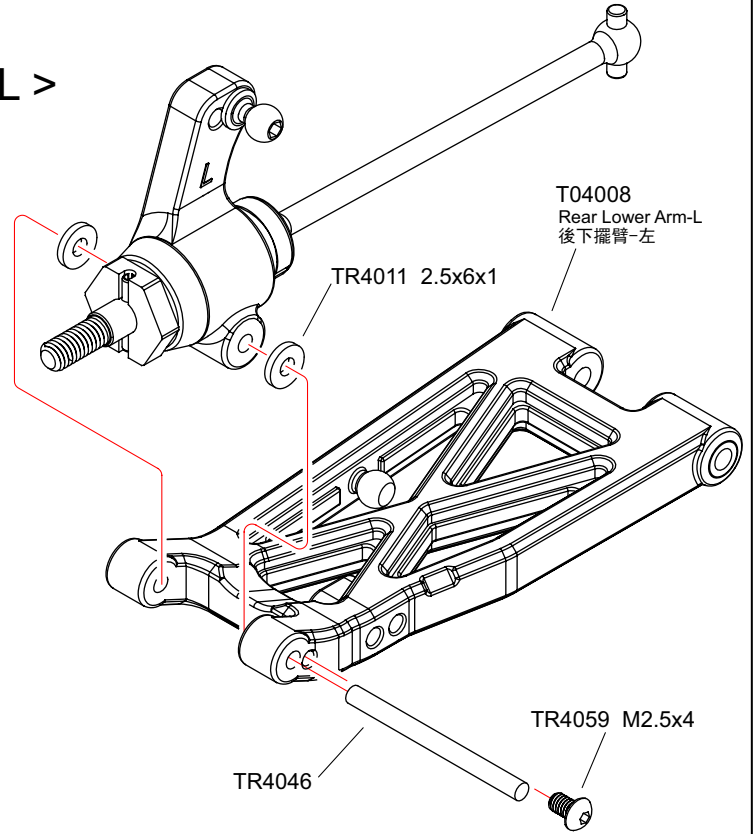
TR4059 M2.5x4 Screw
M2.5x4 螺絲



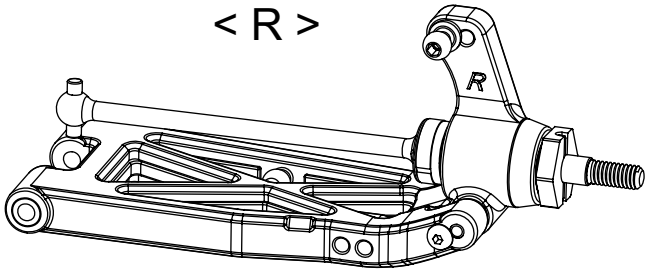
TR4046 2.5x30 Arm Pin
2.5x30 擺臂軸



< L >

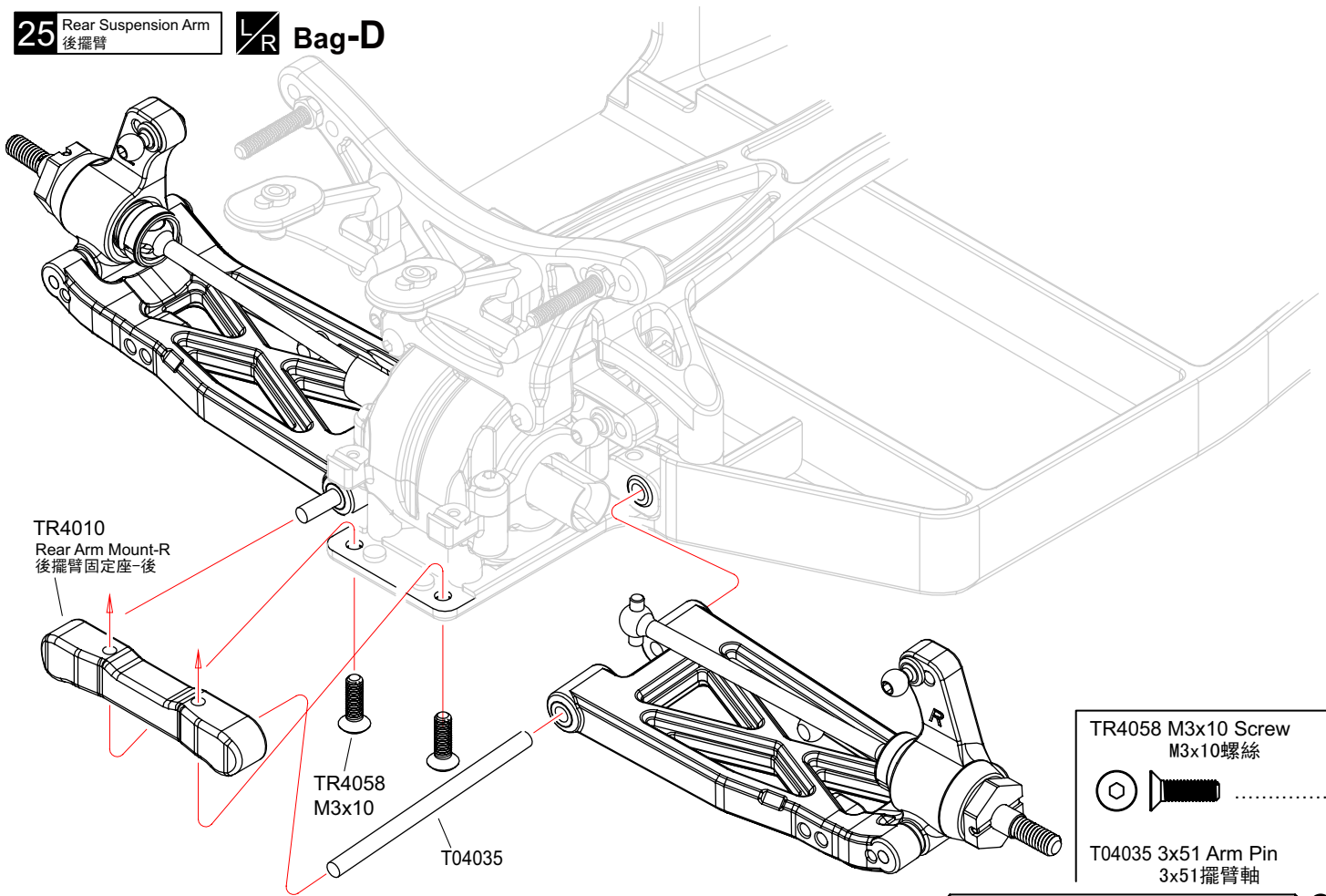


< R >



25 Rear Suspension Arm
後擺臂

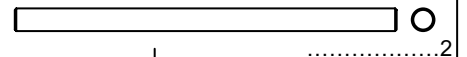
Bag-D



TR4058 M3x10 Screw
M3x10 螺絲

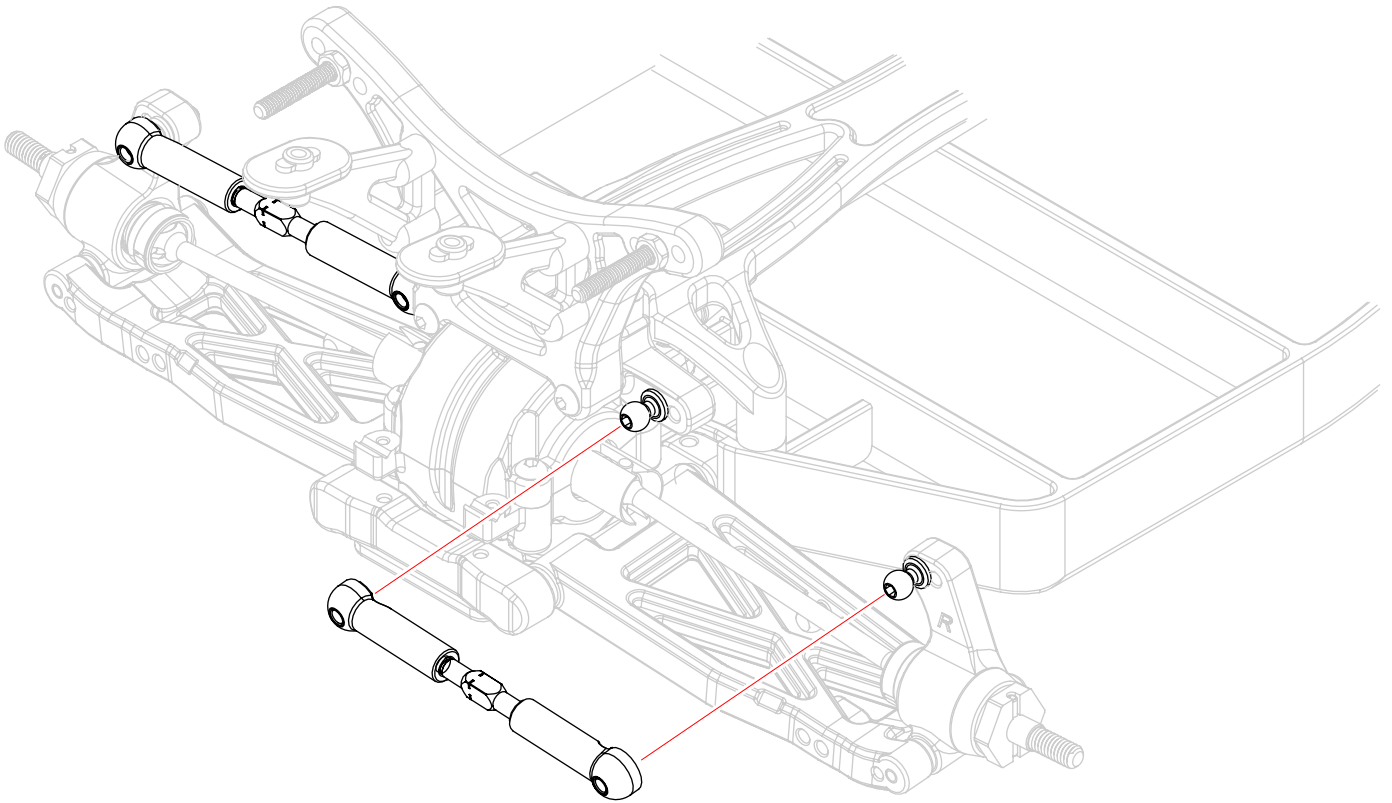


T04035 3x51 Arm Pin
3x51 擺臂軸



Assemble both Left and Right
組裝左和右

26 Rear Turnbuckle
後拉桿

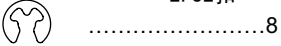


27 Shock Absorber
避震器 **Bag-E**

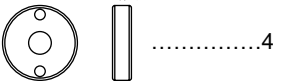
Front-Short **x2**
前-短

Rear-Short **x2**
後-短

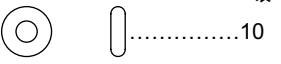
T02064(T02065) 2.3 E-ring
2.3E扣



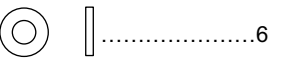
T02096 Shock Piston
避震器活塞



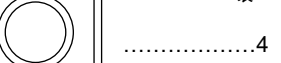
T02097 / TR4063 2.8x1.9 O-ring
2.8x1.9-O環



T02097 3.1x1mm Washer
3.1x1墊片



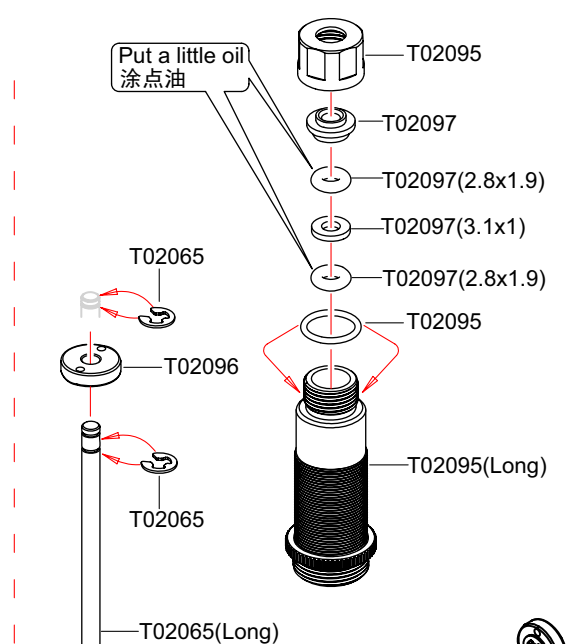
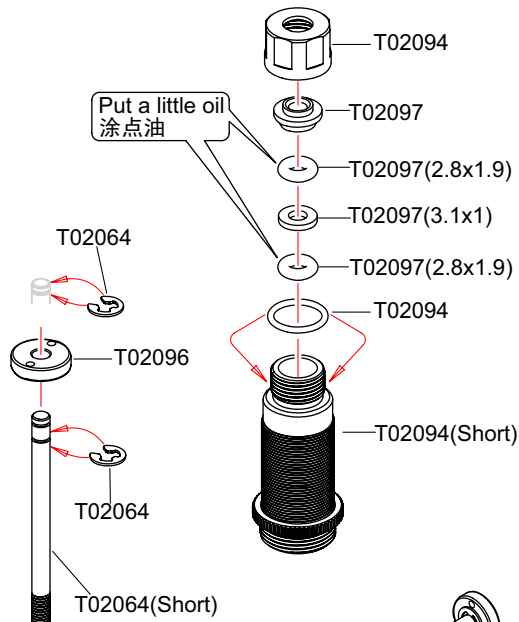
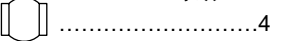
T02094&T02095 8x1 O-ring
8x1-O環



T02031 5.8 Ball End
5.8球頭座



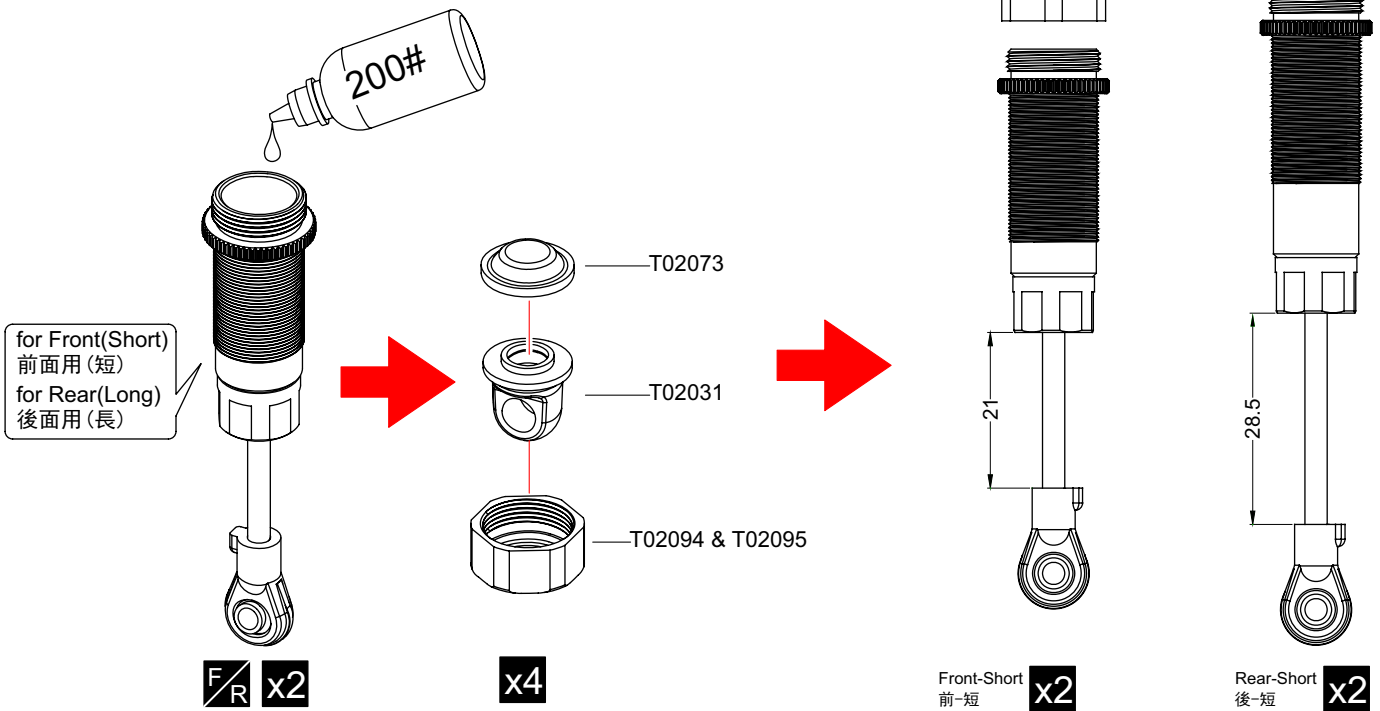
T02062 5.8x6 Ball stud
5.8x6球頭



x2 Assemble as many times as specified
需組裝數量

28 Shock Absorber
避震器

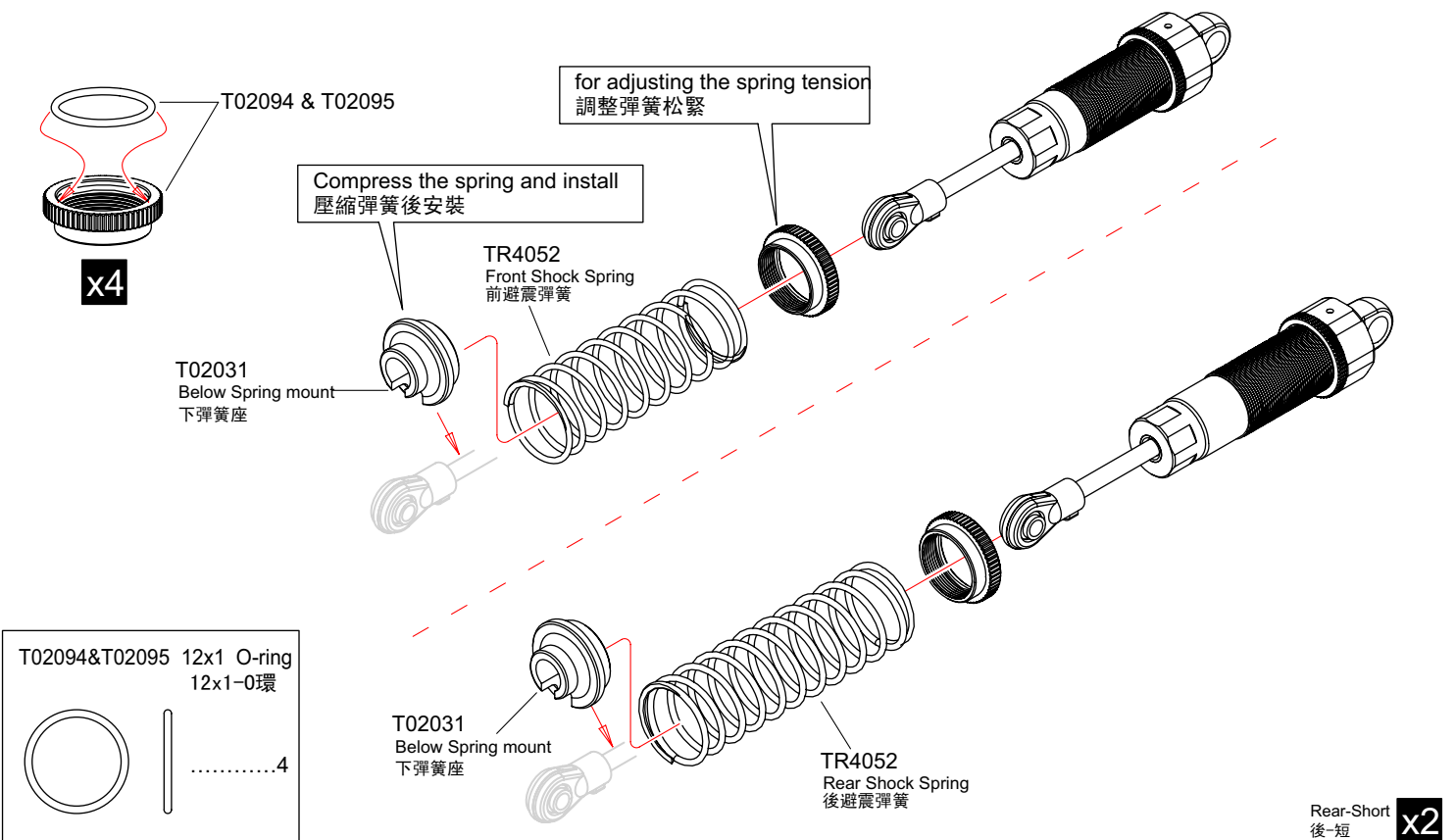
Bag-E



29 Shock Absorber
避震器

Bag-E

Front-Short
前-短 x2

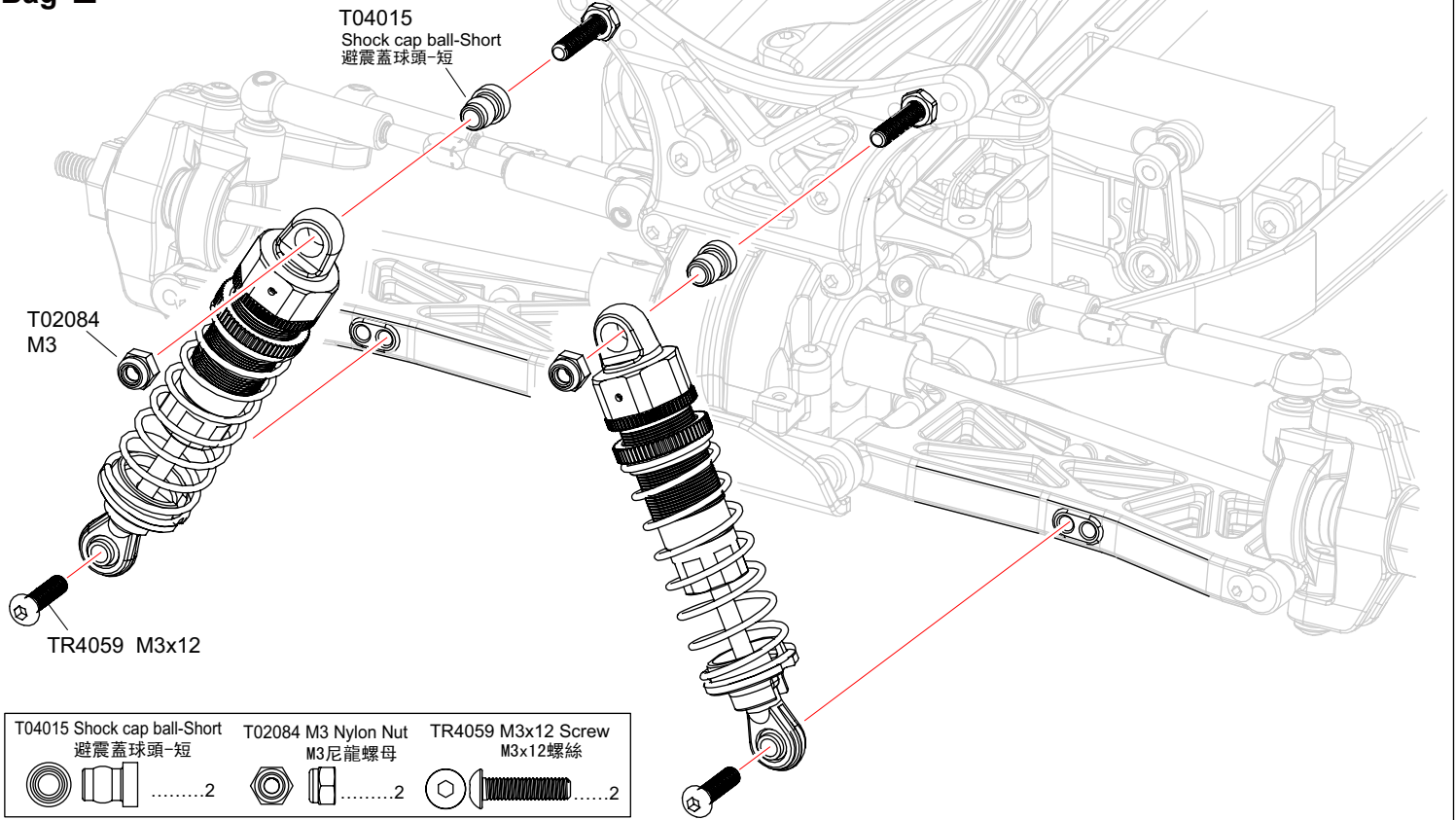


x2 Assemble as many times as specified
需組裝數量

FR Assemble both front and rear
組裝前面和後面

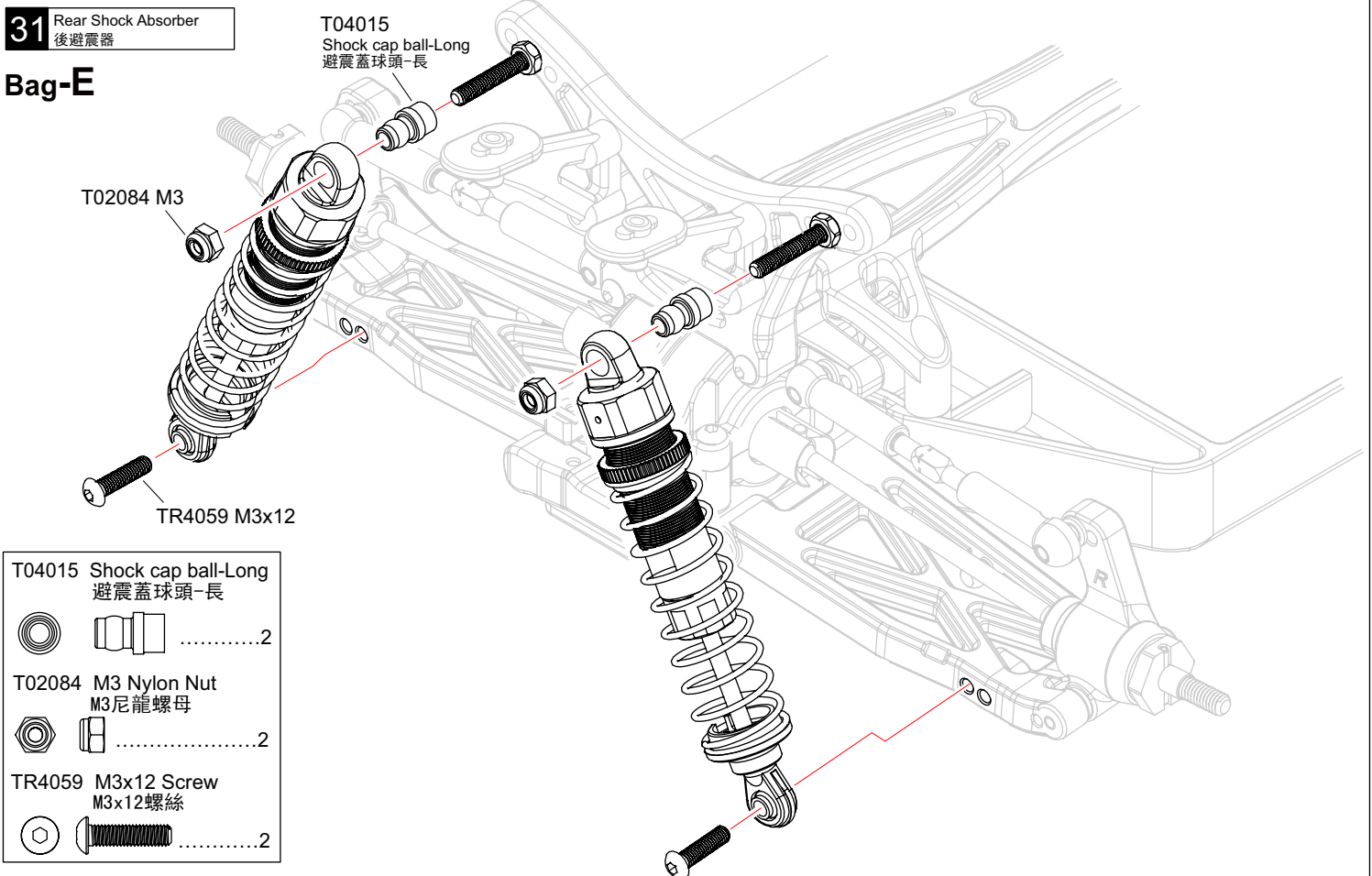
30 Front Shock Absorber
前避震器

Bag-E



31 Rear Shock Absorber
後避震器

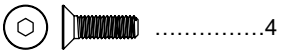
Bag-E



32 Battery Column
電池柱

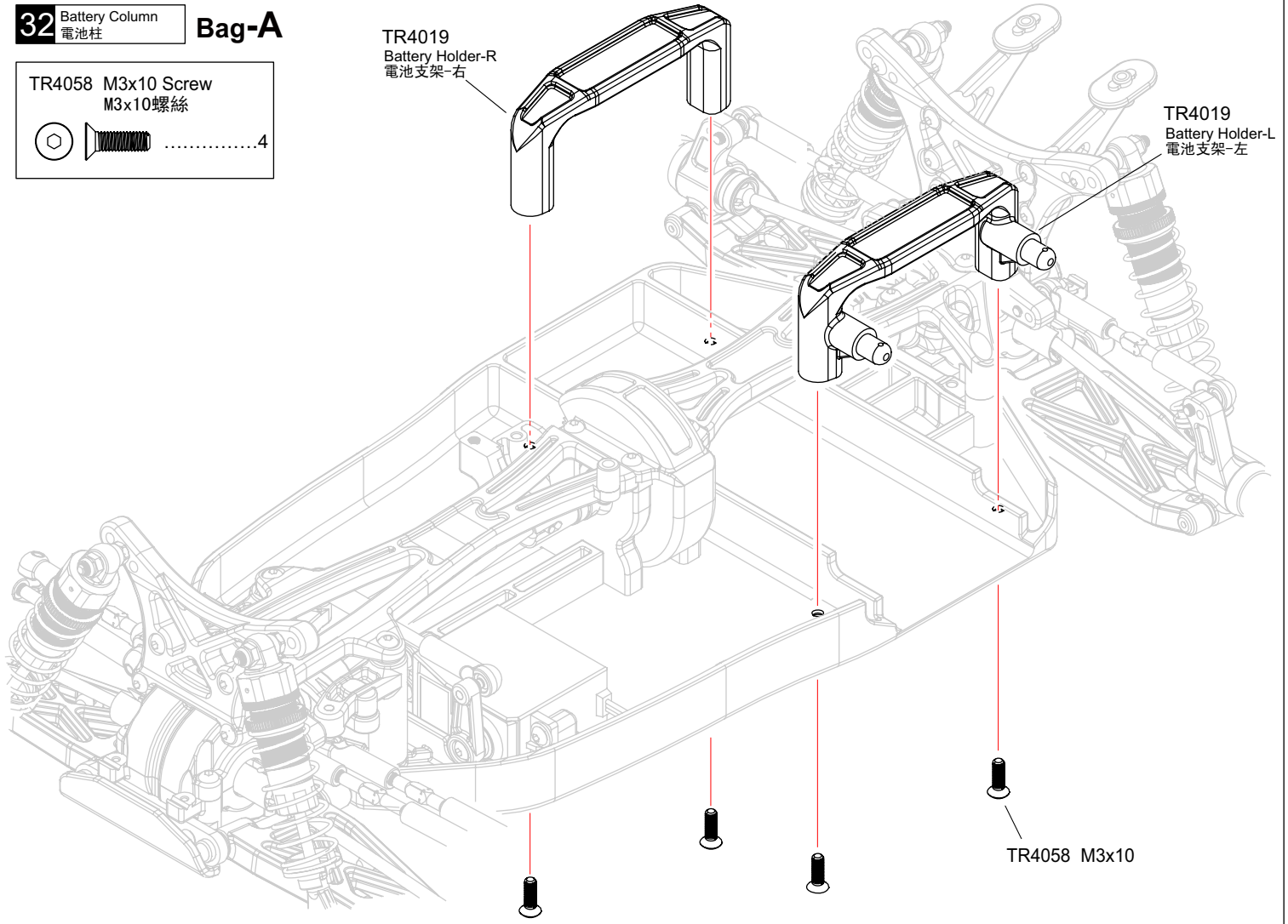
Bag-A

TR4058 M3x10 Screw
M3x10螺絲



TR4019
Battery Holder-R
電池支架-右

TR4019
Battery Holder-L
電池支架-左



33 Motor
馬達

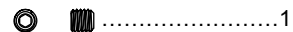
Bag-A

X Motor
馬達

TR4050
Motor Cam
馬達凸輪

TR4059 M3x8

H481 M3x3 Screw
M3x3螺絲

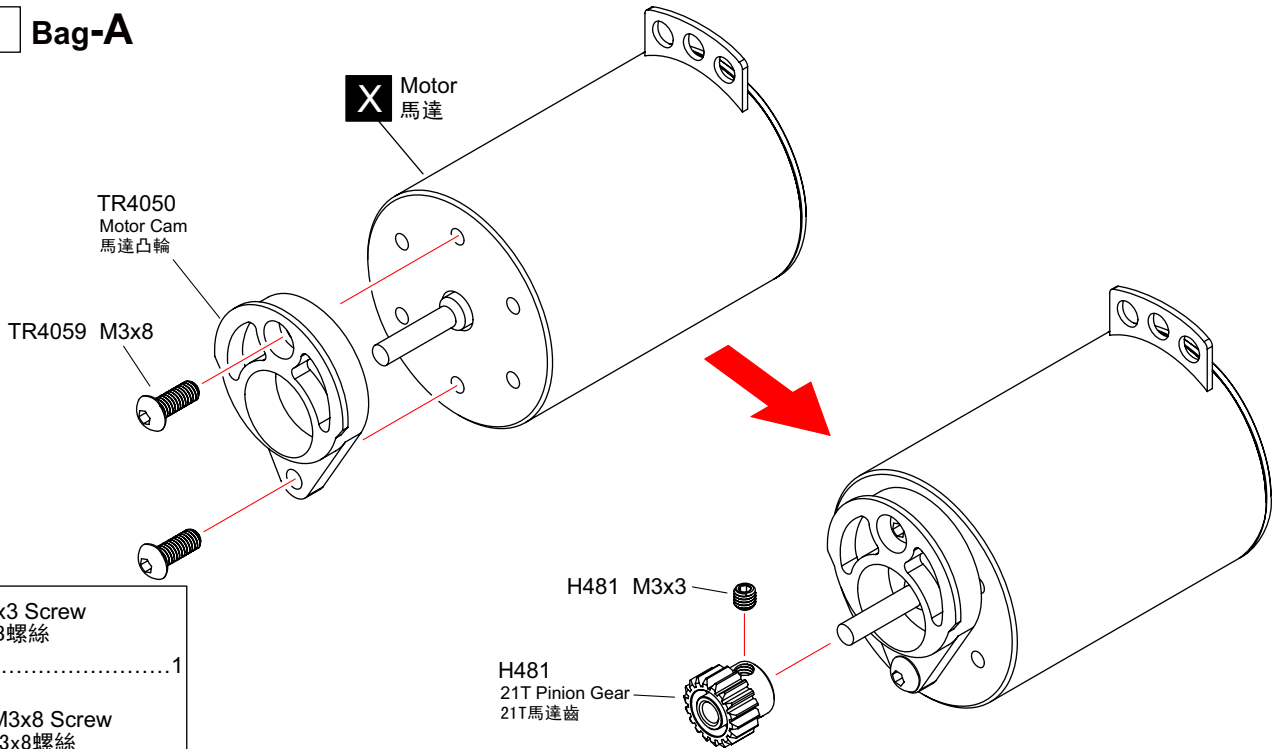


TR4059 M3x8 Screw
M3x8螺絲



H481 M3x3

H481
21T Pinion Gear
21T馬達齒



X Must be purchased separately
需另購物品

34 Motor
馬達

Bag-A

TR4059 M3x8 Screw
M3x8螺絲



TR4059 M3x10 Screw
M3x10螺絲



TR4059 M3x14 Screw
M3x14螺絲



TR4059 M3x10

TR4059 M3x14

TR4050
Motor Clamp
馬達夾塊

TR4059 M3x8

TR4016
Spur Gear Cover
減速齒輪罩

X H380
Fan
風扇

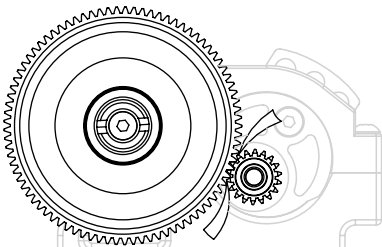
T04013
Fan Mount
風扇座

T04013
M2.5x13

TR4058
M3x8

Tighten the screws with one sheet of paper inserted between both gears.

兩齒輪之間間隙大約為一張普通紙的厚度。



35 ESC / Receiver
電子變速器/接收機

Bag-H

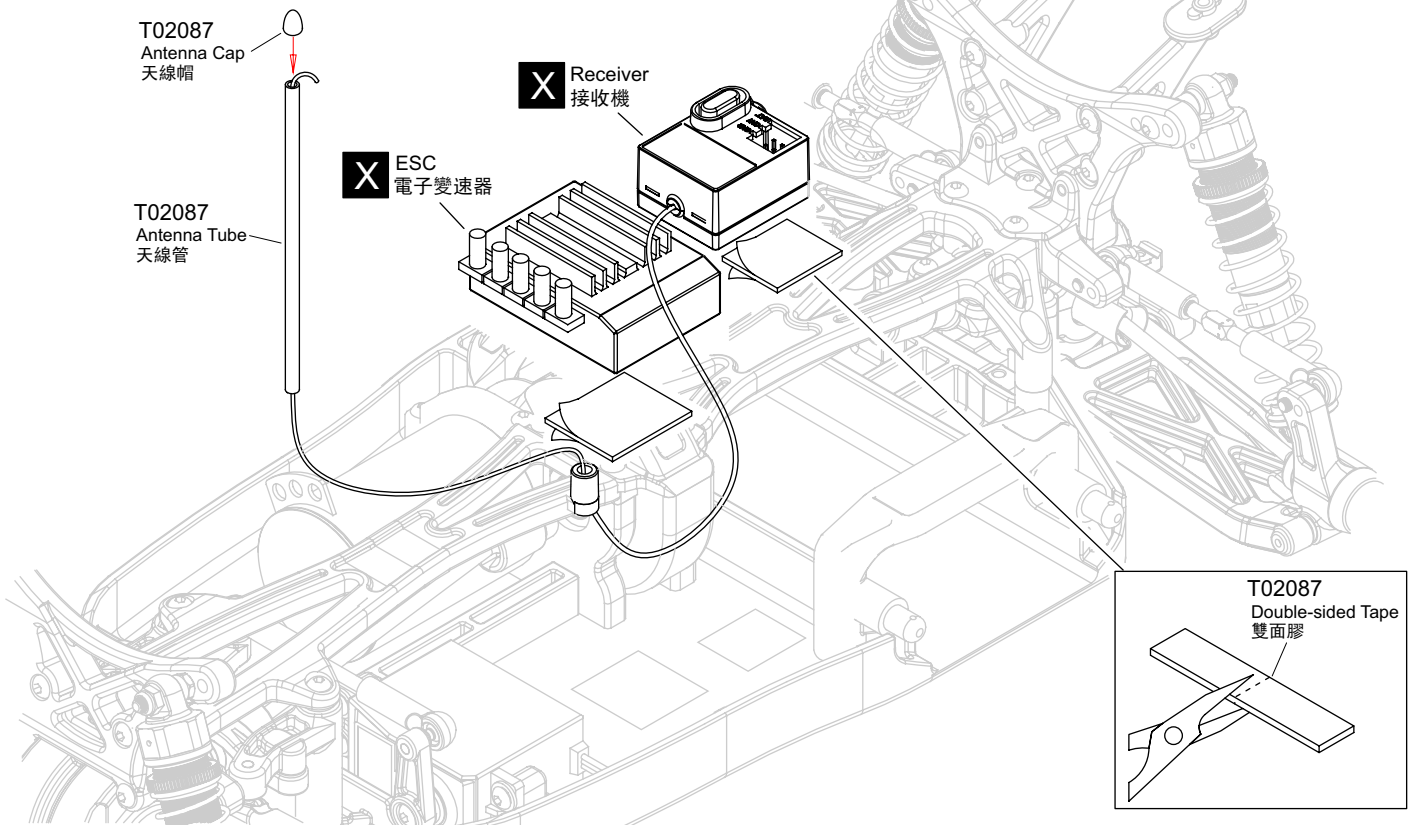
T02087
Antenna Cap
天線帽

T02087
Antenna Tube
天線管

X Receiver
接收機

X ESC
電子變速器

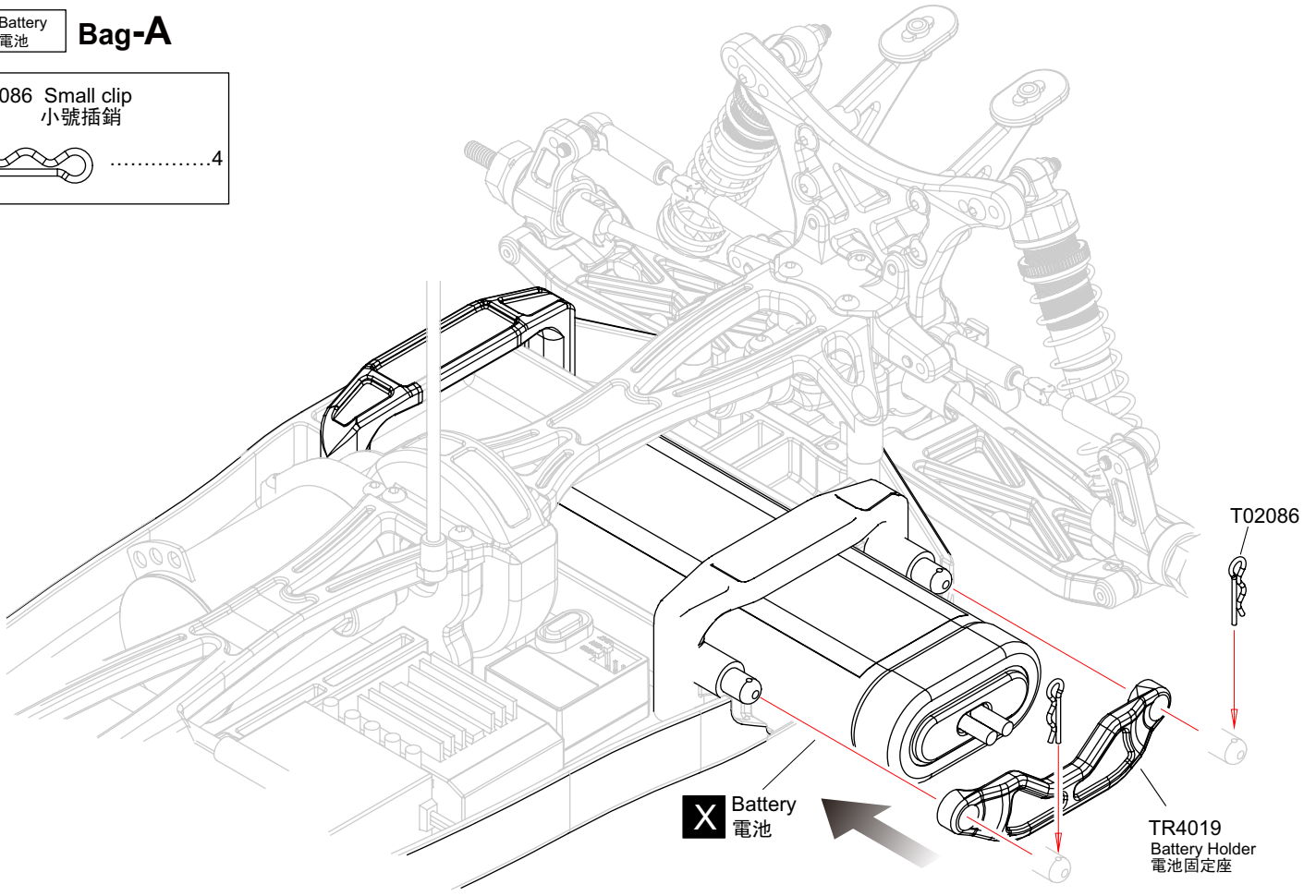
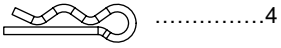
T02087
Double-sided Tape
雙面膠



X Must be purchased separately
需另購物品

36 Battery
電池 **Bag-A**

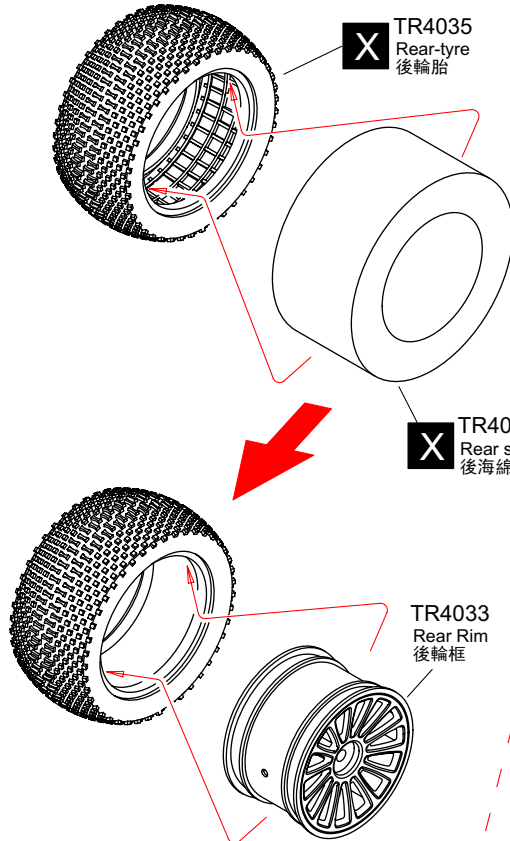
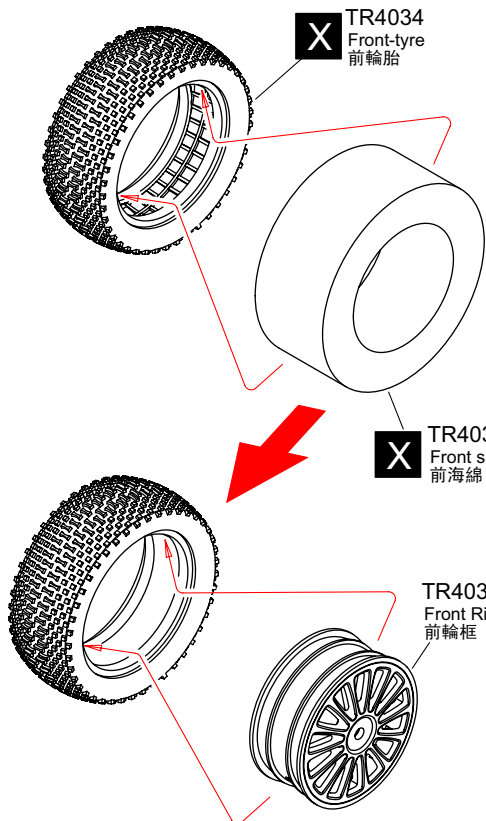
T02086 Small clip
小號插銷



37 Wheel
輪胎 **Bag-F**

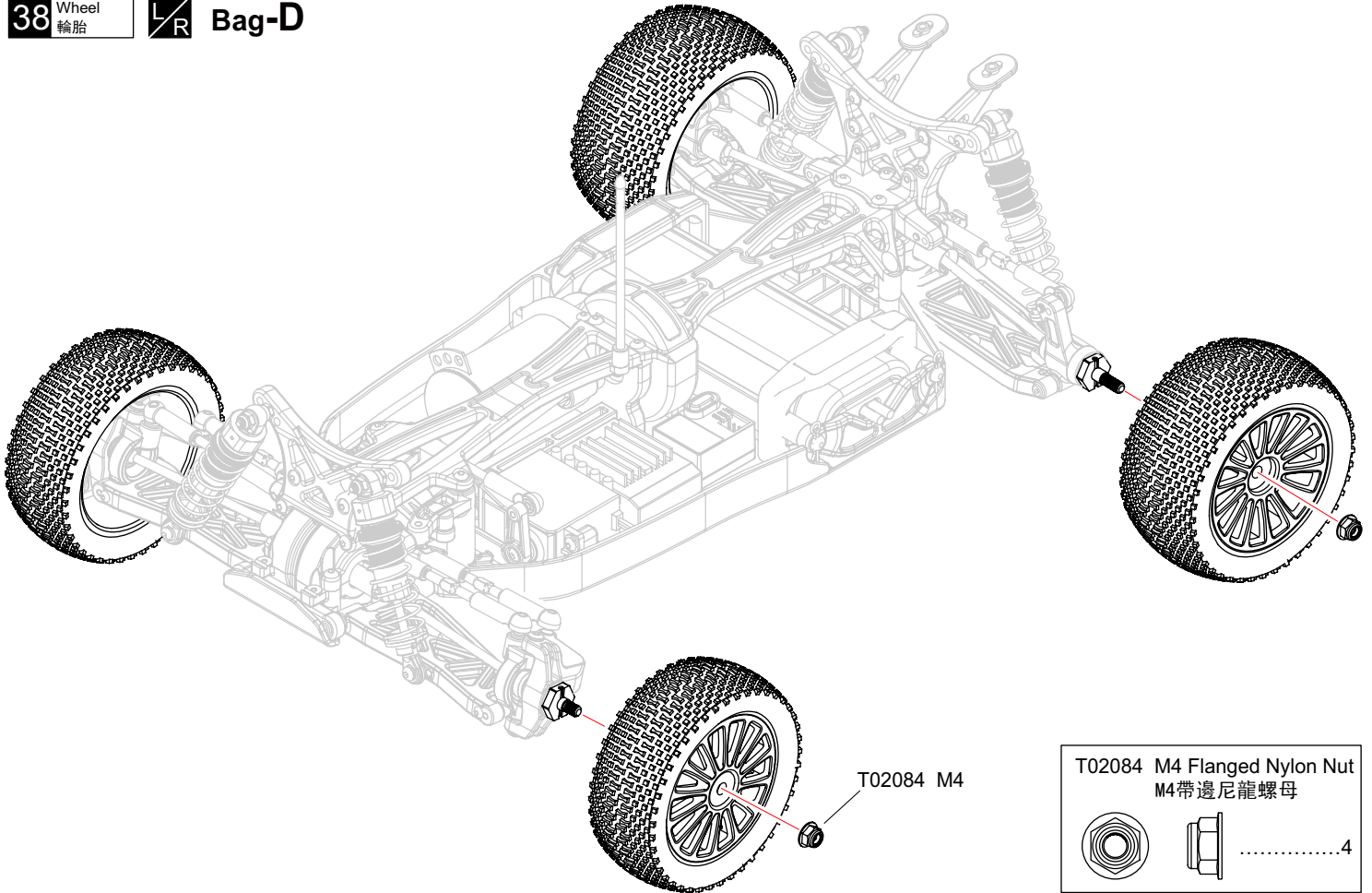
< Front > **x2**

< Rear > **x2**



X Must be purchased separately
需另購物品

x2 Assemble as many times as specified
需組裝數量



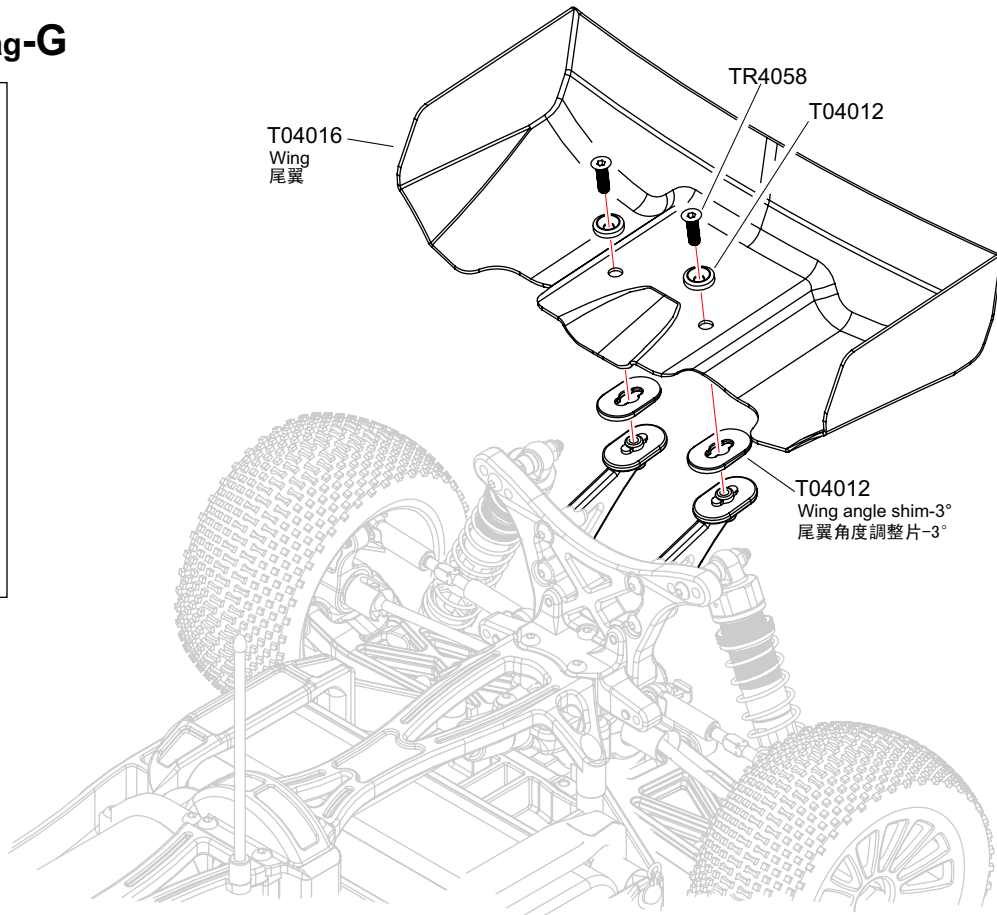
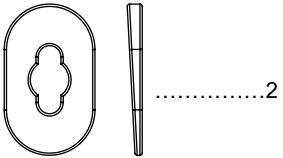
TR4858 M3x10 Screw
M3x10螺絲



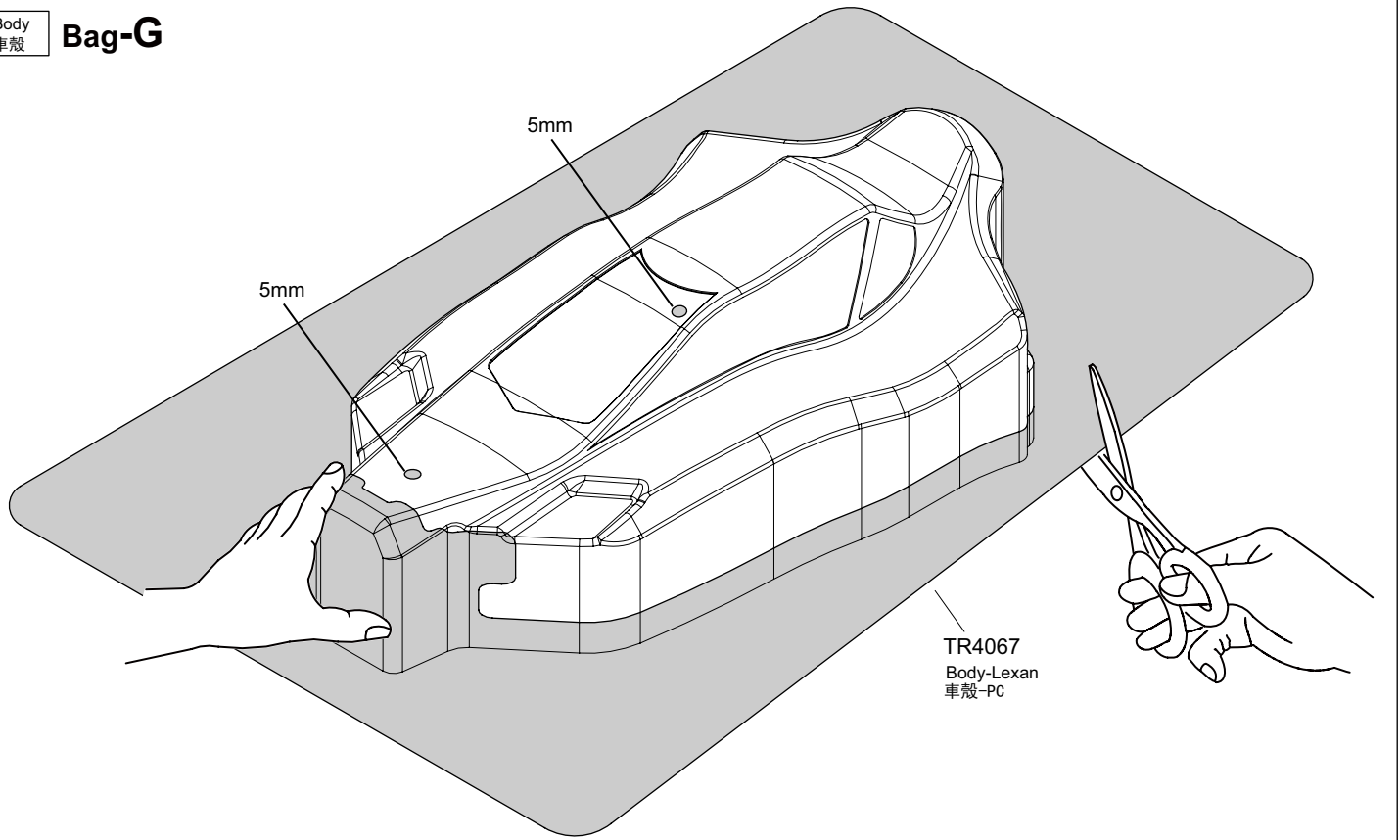
T04012 Wing washer
尾翼墊片



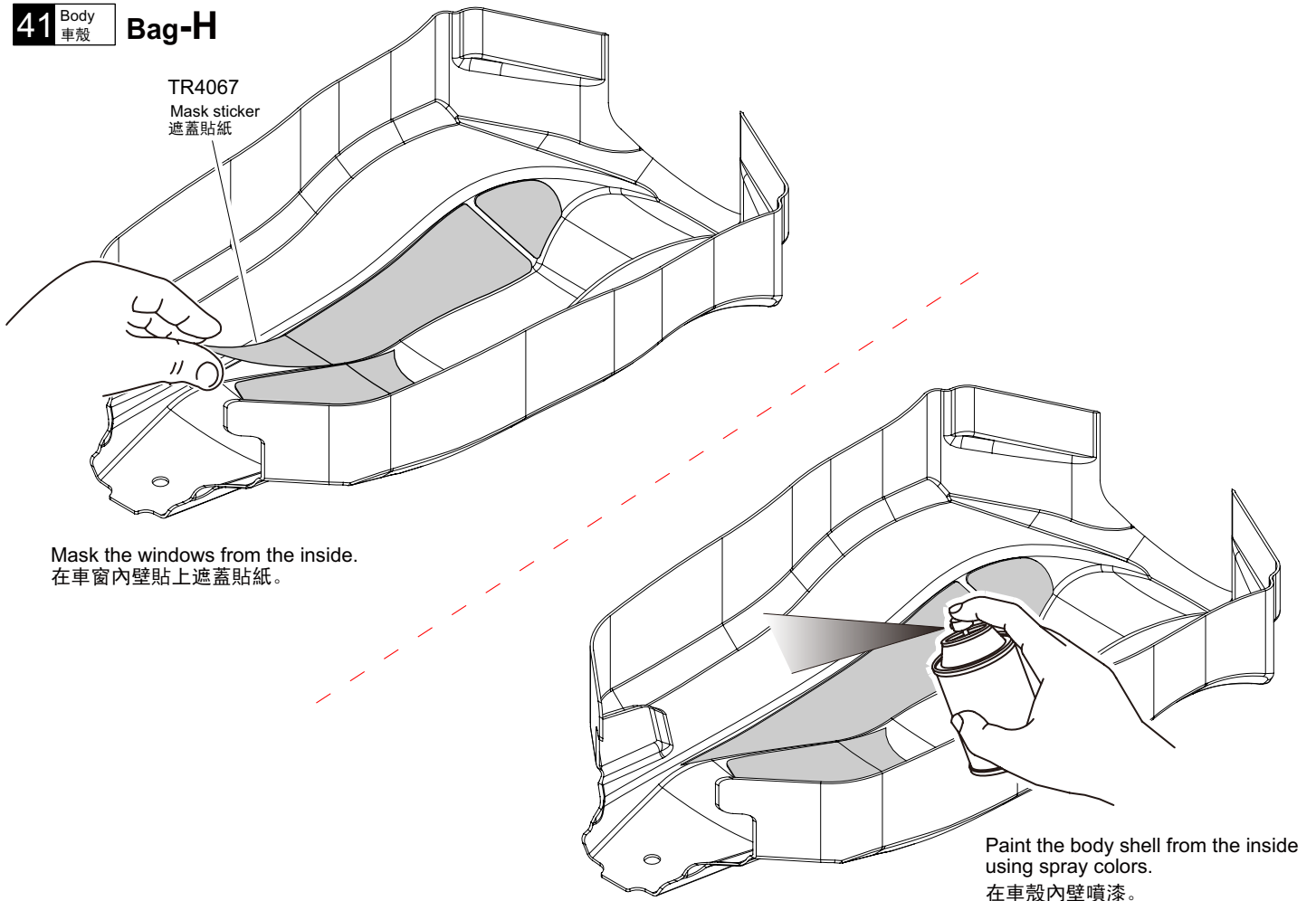
T04012 Wing angle shim-3°
尾翼角度調整片-3°



40 Body
車殼 Bag-G

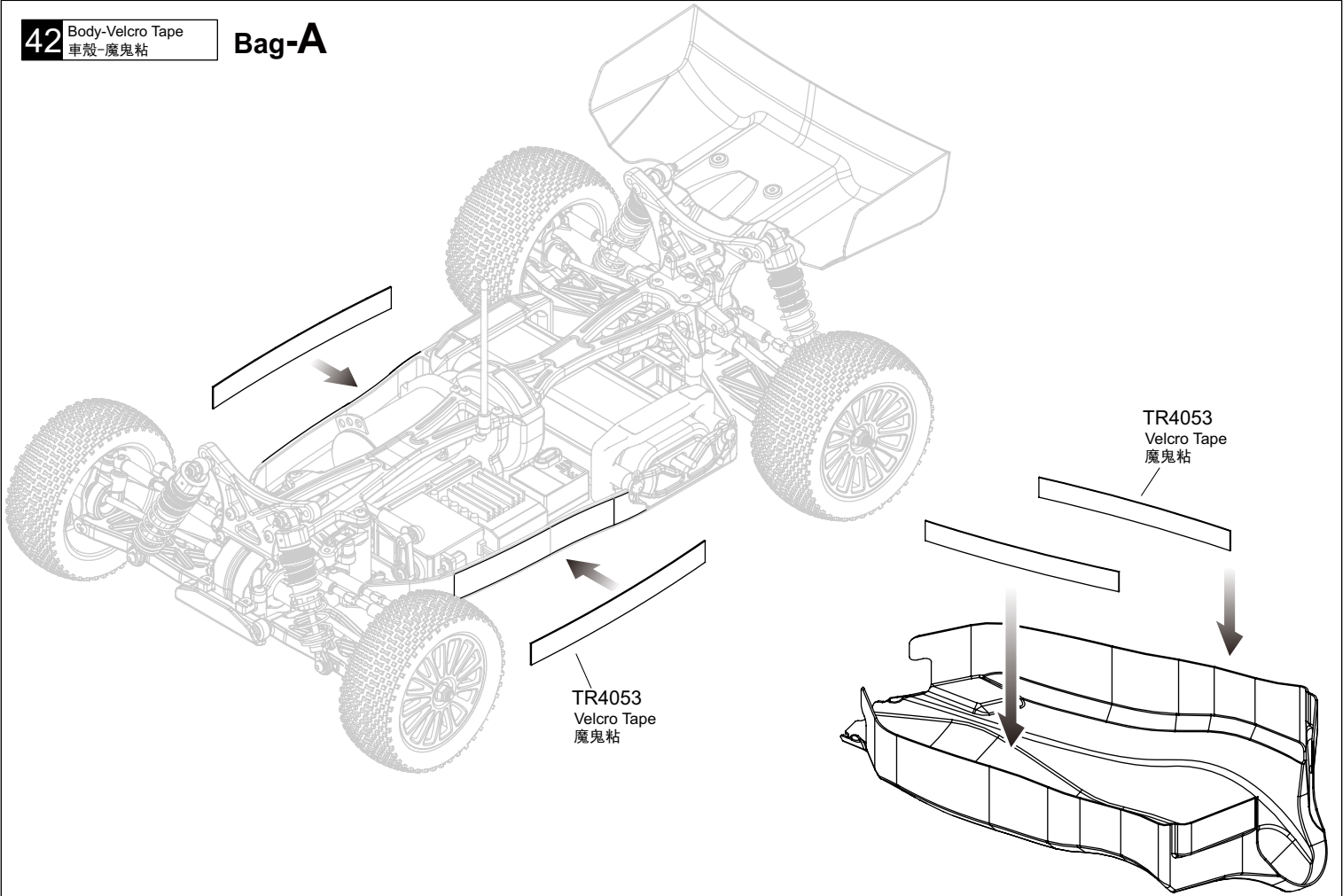


41 Body
車殼 Bag-H



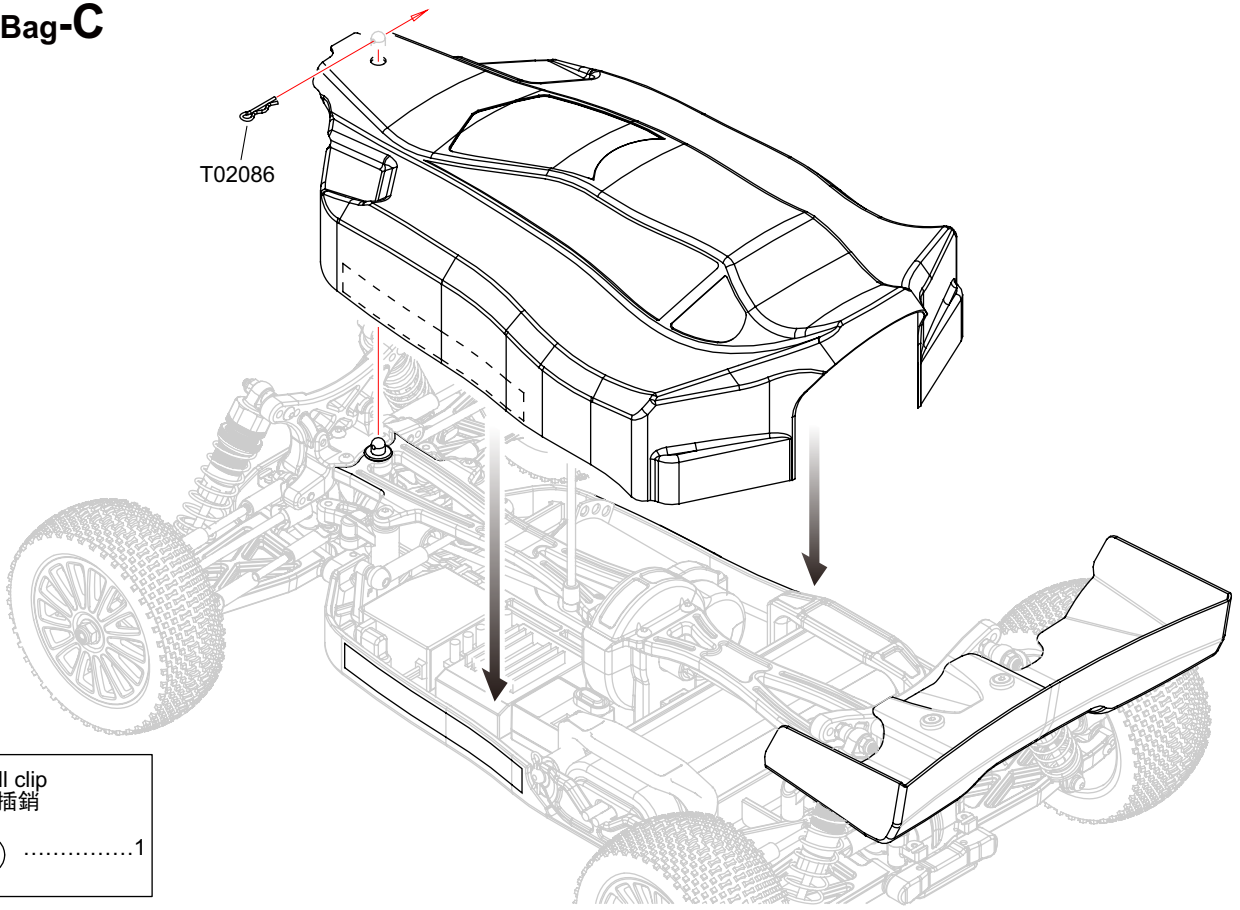
42 Body-Velcro Tape
車殼-魔鬼粘

Bag-A

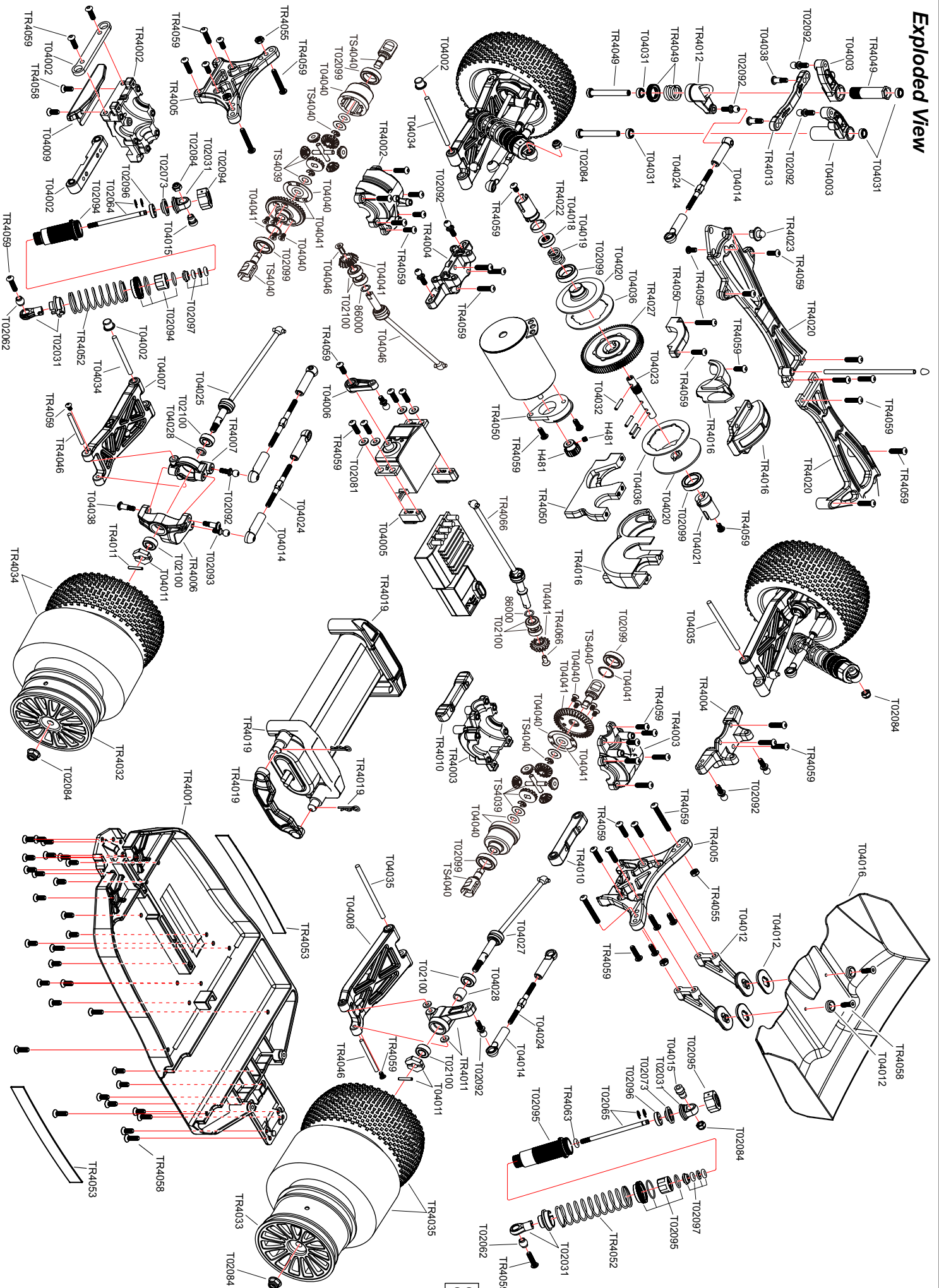


43 Body
車殼

Bag-C

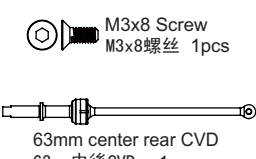
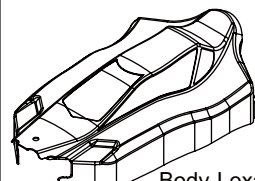
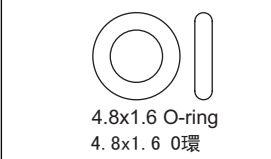
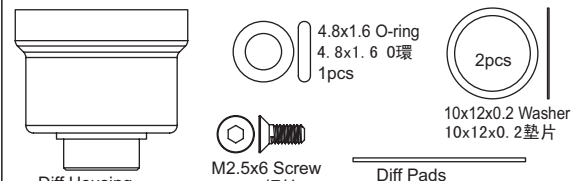
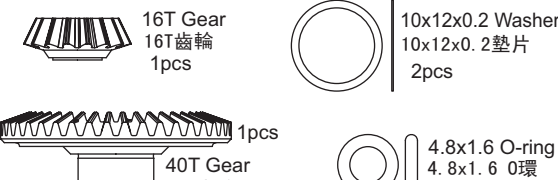
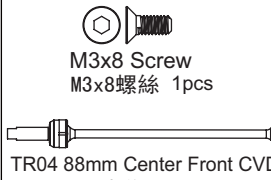
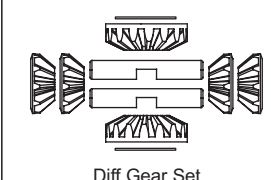
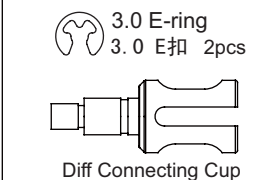
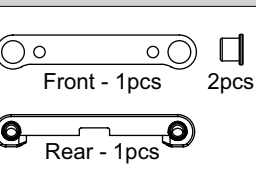
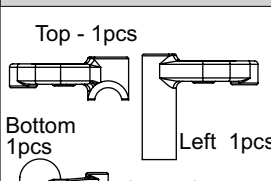
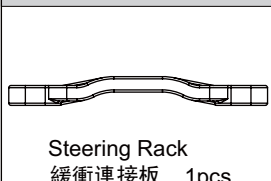
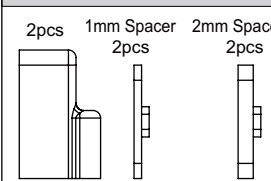
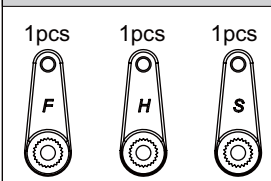
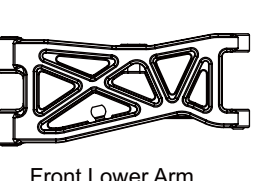
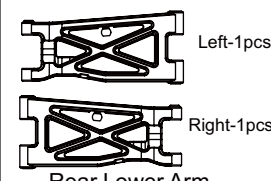
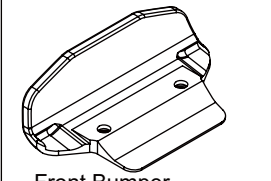


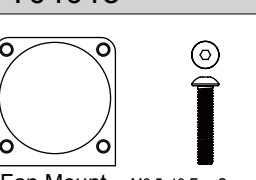
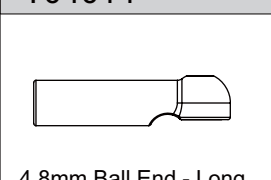
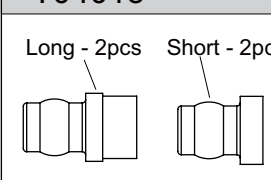
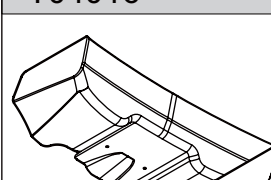
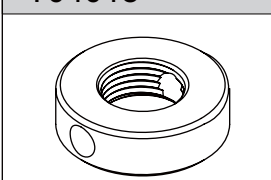
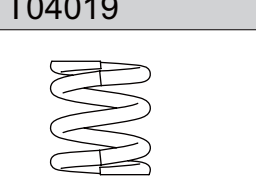
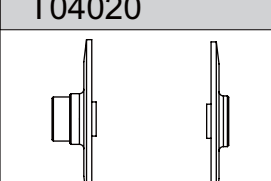


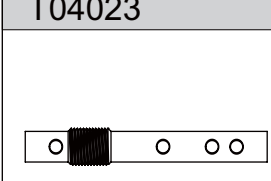
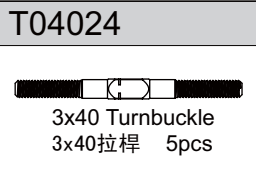
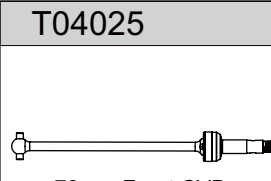
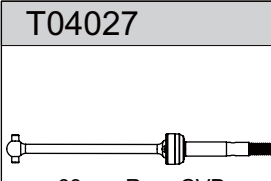

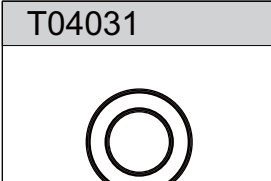


Exploded View



Parts list for TR04 Pro off-road buggy - 1

TR04 Pro越野車配件包-1

<p>TR4066</p>  <p>M3x8 Screw M3x8螺絲 1pcs</p> <p>63mm center rear CVD 63mm中後CVD 1pcs</p>	<p>TR4067</p>  <p>Body-Lexan 車殼 1pcs</p>	<p>T02156</p>  <p>4.8x1.6 O-ring 4.8x1.6 O環 4pcs</p>	<p>T04040</p>  <p>Diff Housing 差速殼 1pcs</p> <p>M2.5x6 Screw M2.5x6螺絲 4pcs</p> <p>4.8x1.6 O-ring 4.8x1.6 O環 1pcs</p> <p>10x12x0.2 Washer 10x12x0.2墊片 2pcs</p> <p>Diff Pads 差速墊片 1pcs</p>	
<p>T04041</p>  <p>16T Gear 16T齒輪 1pcs</p> <p>40T Gear 40T齒輪 1pcs</p> <p>10x12x0.2 Washer 10x12x0.2墊片 2pcs</p> <p>4.8x1.6 O-ring 4.8x1.6 O環 1pcs</p>	<p>T04046</p>  <p>M3x8 Screw M3x8螺絲 1pcs</p> <p>TR04 88mm Center Front CVD TR04 83mm中前CVD 1pcs</p>	<p>TS4039</p>  <p>Diff Gear Set 差速齒輪組</p>	<p>TS4040</p>  <p>3.0 E-ring 3.0 E扣 2pcs</p> <p>Diff Connecting Cup 差速接杯 2pcs</p>	
<p>T04002</p>  <p>Front - 1pcs Rear - 1pcs</p> <p>Front Arm Mount 前擺臂固定座 2pcs</p>	<p>T04003</p>  <p>Top - 1pcs Bottom 1pcs Left 1pcs</p> <p>Servo Saver 緩沖座</p>	<p>T04004</p>  <p>Steering Rack 緩衝連接板 1pcs</p>	<p>T04005</p>  <p>Servo Mount 伺服機座</p> <p>1mm Spacer 2pcs 2mm Spacer 2pcs</p>	<p>T04006</p>  <p>Steering Servo Horn 轉向伺服臂</p> <p>1pcs F 1pcs H 1pcs S</p>
<p>T04007</p>  <p>Front Lower Arm 前下擺臂 2pcs</p>	<p>T04008</p>  <p>Left-1pcs Right-1pcs</p> <p>Rear Lower Arm 後下擺臂</p>	<p>T04009</p>  <p>Front Bumper 前防撞板 1pcs</p>	<p>T04011</p>  <p>Hex Mount 六角座 4pcs</p> <p>1.6x11 Spring Pin 1.6x11彈簧銷 4pcs</p>	<p>T04012</p>  <p>Wing Screw Washer 尾翼螺絲墊片 2pcs</p> <p>Wing Angle Shim 尾翼調整片 2pcs</p> <p>Front Body Mount 前車殼柱 1pcs</p> <p>Wing Brack 尾翼架 2pcs</p>
<p>T04013</p>  <p>Fan Mount 風扇座 1pcs</p> <p>M2.5x13 Fan Screw M2.5x13風扇螺絲 4pcs</p>	<p>T04014</p>  <p>4.8mm Ball End - Long 4.8mm球頭座-長 7pcs</p>	<p>T04015</p>  <p>Long - 2pcs Short - 2pcs</p> <p>Shock cap ball 避震蓋球頭</p>	<p>T04016</p>  <p>Wing-Lexan 尾翼 1pcs</p>	<p>T04018</p>  <p>Slipper Nut 扭限螺母 1pcs</p>
<p>T04019</p>  <p>Slipper Spring 扭限彈簧 1pcs</p>	<p>T04020</p>  <p>Slipper Hub-F 扭限座-前 1pcs</p> <p>Slipper Hub-R 扭限座-後 1pcs</p>	<p>T04021</p>  <p>Mid Connecting Hub-F 中接杯-前 1pcs</p> <p>Mid Connecting Hub-R 中接杯-後 1pcs</p>	<p>T04022</p>  <p>Spring Buckle 彈簧扣 1pcs</p>	<p>T04023</p>  <p>Center Shaft 中軸 1pcs</p>
<p>T04024</p>  <p>3x40 Turnbuckle 3x40拉桿 5pcs</p> <p>3x45 Turnbuckle 3x45拉桿 2pcs</p>	<p>T04025</p>  <p>78mm Front CVD 78mm前CVD 2pcs</p>	<p>T04027</p>  <p>63mm Rear CVD 63mm後CVD 2pcs</p>	<p>T04028</p>  <p>Front Bearing Collar 前輪軸套 2pcs</p> <p>Rear Bearing Collar 後輪軸套 2pcs</p>	<p>T04031</p>  <p>4x7x2.5 Ball Bearing 4x7x2.5軸承 6pcs</p>

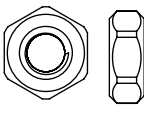


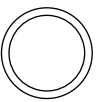


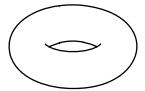
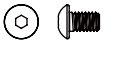




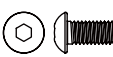



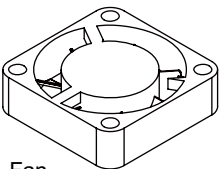





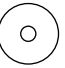
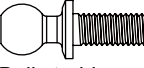

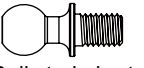

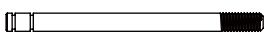

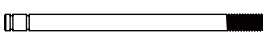


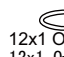
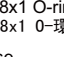


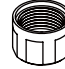
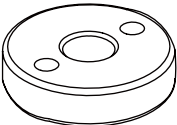

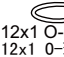
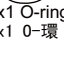
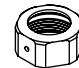






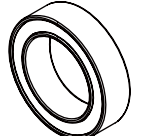
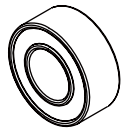
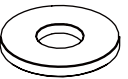
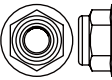

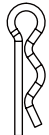
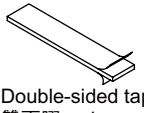

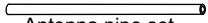
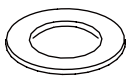
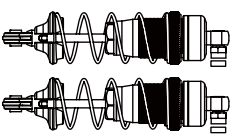
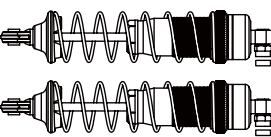
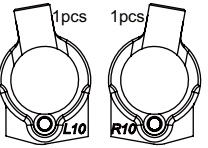

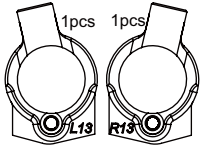

Parts list for TR04 Pro off-road buggy - 2

TR04 Pro越野車配件包-2

<p>T04029</p> <p>3.1x1 Washer 2.8x1.9 O-ring 12x1 O-ring Front Shock Absorber 前避震器 2 Set</p>	<p>T04030</p> <p>3.1x1 Washer 2.8x1.9 O-ring 12x1 O-ring Rear Shock Absorber 後避震器 2 Set</p>	<p>T04032</p> <p>2x9.8 Pin 2x9.8鋼針 6pcs</p>	<p>T04034</p> <p>3x48.5 Arm Pin 3x48.5 擺臂軸 2pcs</p>	
<p>T04035</p> <p>3x51 Arm Pin 3x51 擺臂軸 2pcs</p>	<p>T04036</p> <p>Slipper pad 扭限摩擦片 2pcs</p>	<p>T04038</p> <p>M3 Screw M3螺絲 6pcs</p>	<p>TR4001</p> <p>Chassis 底盤 1pcs</p>	<p>TR4002</p> <p>Front Gear-box 前齒輪箱 1pcs</p>
<p>TR4003</p> <p>Rear Gear-box 後齒輪箱 1pcs</p>	<p>TR4004</p> <p>Upper Suspension Arm Mount 上擺臂座 1pcs</p>	<p>TR4005</p> <p>Front Shock Tower 前避震架 1pcs</p>	<p>TR4006</p> <p>Steering Block 轉向臂 1pcs</p>	<p>TR4007</p> <p>Front Hub Carriers 10 Degree 前輪座10° 1pcs</p>
<p>TR4008</p> <p>Front Hub Carriers 13 Degree 前輪座13° 1pcs</p>	<p>TR4010</p> <p>Rear Arm Mount 後擺臂固定座 1pcs</p>	<p>TR4011</p> <p>Rear Hub Carriers 後輪座 1pcs</p>	<p>TR4016</p> <p>Center Gear-box 中齒輪箱 1pcs</p>	<p>TR4019</p> <p>Battery Holder 電池支架 1pcs</p>
<p>TR4020</p> <p>Upper Deck 二樓板 1pcs</p>	<p>TR4027</p> <p>Supr Gear-85T 減速齒-85T 1pcs</p>	<p>TR4032</p> <p>Front Rim 前輪框 2pcs</p>	<p>TR4033</p> <p>Rear Rim 後輪框 2pcs</p>	<p>TR4046</p> <p>2.5x30 Arm Pin 2.5x30擺臂軸 2pcs</p>
<p>TR4049</p> <p>Servo Saver Post 緩衝柱 2pcs</p> <p>Servo Saver Body 緩衝筒身 1pcs</p>	<p>TR4050</p> <p>Motor Mount 馬達座 1pcs</p>	<p>TR4052</p> <p>Shock Spring 避震彈簧 1pcs</p>	<p>TR4053</p> <p>Velcro Tape 魔鬼粘 1 Set</p>	<p>TR4053</p> <p>Servo Saver Spring 緩衝彈簧 1pcs</p>

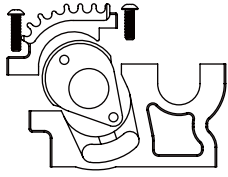
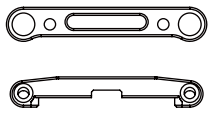
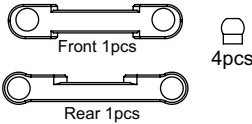
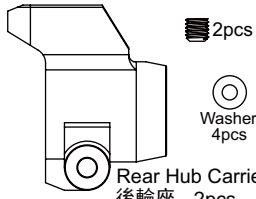
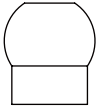

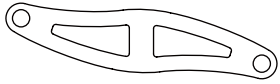
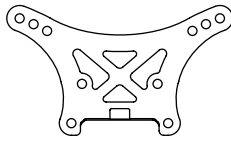
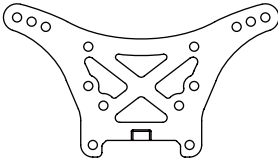
Parts list for TR04 Pro off-road buggy - 3

TR04 Pro越野車配件包-3

<p>TR4055</p>  <p>M3 Nut M3螺帽 6pcs</p>	<p>TR4056</p>  <p>2.0 E-ring 2.0 E扣 8pcs</p>  <p>2.3 E-ring 2.3 E扣 8pcs</p>	<p>TR4057</p>  <p>10x12x0.2 Washer 10x12x0.2墊片 8pcs</p>	<p>TR4058</p>  <p>M3x8 Screw M3x8螺絲 8pcs</p>  <p>M3x10 Screw M3x10螺絲 8pcs</p>	<p>TR4063</p>  <p>2.8x1.9 O-ring 2.8x1.9 O-環 2pcs</p>	
<p>TR4059</p>  <p>M2.5x4 Screw M2.5x4螺絲 8pcs</p>  <p>M2.6x8 Screw M2.6x8螺絲 8pcs</p>  <p>M3x5 Screw M3x5螺絲 8pcs</p>  <p>M3x6 Screw M3x6螺絲 8pcs</p>  <p>M3x8 Screw M3x8螺絲 8pcs</p>  <p>M3x10 Screw M3x10螺絲 8pcs</p>  <p>M3x12 Screw M3x12螺絲 8pcs</p>  <p>M3x14 Screw M3x14螺絲 8pcs</p>  <p>M3x22 Screw M3x22螺絲 8pcs</p>					<p>H380</p>  <p>Fan 風扇 1pcs</p>
<p>T02031</p>  <p>Upper cover nylon cap 上蓋尼龍帽 2pcs</p>  <p>Below Spring mount end 下彈簧固定座 2pcs</p>  <p>5.8 Ball End 球頭座 2pcs</p>	<p>H481</p>  <p>21T Pinion Gear 21T馬達齒 1pcs</p>  <p>3x3 Screw 3x3螺絲 1pcs</p>	<p>T02092</p>  <p>Ball stud sponge 球頭海綿 2pcs</p>  <p>Ball stud-long 球頭-長 2pcs</p>	<p>T02093</p>  <p>Ball stud sponge 球頭海綿 5pcs</p>  <p>Ball stud-short 球頭-短 5pcs</p>	<p>T02062</p>  <p>5.8x6 Ball stud 5.8x6球頭 4pcs</p>	
<p>T02064</p>  <p>3x42.5 Front Shock Absorber Shaft 3x42.5前避震器軸 2pcs</p>  <p>2.3 E-ring 2.3 E扣 4pcs</p>	<p>T02065</p>  <p>3x51 Rear Shock Absorber Shaft 3x51後避震器軸 2pcs</p>  <p>2.3 E-ring 2.3 E扣 4pcs</p>	<p>T02094</p>  <p>Front damper case 前油筒 2pcs</p>  <p>12x1 O-ring 12x1 O-環 2pcs</p>  <p>8x1 O-ring 8x1 O-環 2pcs</p>  <p>Shock Absorber top cover 避震器上蓋 2pcs</p>  <p>Spring adjuster 彈簧調節座 2pcs</p>  <p>Shock Absorber below cover 避震器下蓋 2pcs</p>	<p>T02096</p>  <p>Shock piston 避震活塞 4pcs</p>		
<p>T02095</p>  <p>Rear damper case 後油筒 2pcs</p>  <p>12x1 O-ring 12x1 O-環 2pcs</p>  <p>8x1 O-ring 8x1 O-環 2pcs</p>  <p>Shock Absorber top cover 避震器上蓋 2pcs</p>  <p>Spring adjuster 彈簧調節座 2pcs</p>  <p>Shock Absorber below cover 避震器下蓋 2pcs</p>	<p>T02097</p>  <p>3.1x1mm Plastic Washer 塑膠墊片 4pcs</p>  <p>2.8x1.9 O-ring 2.8x1.9 O-環 8pcs</p>  <p>3.5 Press washer 3.5壓墊 4pcs</p>	<p>T02073</p>  <p>Diaphragm 氣室 4pcs</p>	<p>T02099</p>  <p>10x15x4 Ball Bearing 10x15x4 軸承 6pcs</p>		
<p>T02100</p>  <p>5x10x4 Ball bearing 5x10x4軸承 6pcs</p>	<p>T02081</p>  <p>3x7x0.8 Washer 3x7x0.8墊片 10pcs</p>	<p>T02084</p>  <p>M4 Flanged Nylon Nut M4帶邊尼龍螺母 6pcs</p>  <p>M3 Nylon Nut M3尼龍螺母 6pcs</p>	<p>T02086</p>  <p>Small clip 車身固定夾(小) 8pcs</p>	<p>T02087</p>  <p>Antenna pipe set cover 天線管帽 1pcs</p>  <p>Double-sided tape 雙面膠 1pcs</p>  <p>Antenna pipe set 天線套管 1pcs</p>	
<p>86000</p>  <p>5.1x8x0.2 Washer 5.1x8x0.2墊片 6pcs</p>	<p>TU0250 OP</p>  <p>12mm Front Shock Absorber 12mm前避震器</p>	<p>TU0252 OP</p>  <p>12mm Rear Shock Absorber 12mm後避震器</p>	<p>TU0410 OP</p>  <p>Front Hub Carriers 10 Degree 前輪座10°</p>  <p>Washer 4pcs</p>	<p>TU0413 OP</p>  <p>Front Hub Carriers 13 Degree 前輪座13°</p>  <p>Washer 4pcs</p>	

Parts list for TR04 Pro off-road buggy - 4

TR04 Pro 越野車配件包-4

<p>TU0415 OP</p>  <p>Motor Mount 馬達座 1Set</p>	<p>TU0416 OP</p>  <p>Front 1pcs Rear 1pcs</p> <p>Front Arm Mount 前擺臂固定座</p>	<p>TU0418 OP</p>  <p>Front 1pcs Rear 1pcs</p> <p>4pcs</p> <p>Rear Arm Mount 後擺臂固定座</p>	<p>TU0422 OP</p>  <p>2pcs 4pcs</p> <p>Rear Hub Carriers 後輪座 2pcs</p>	<p>TU0423 OP</p>  <p>8pcs</p> <p>Rear Arm Mount-Ball 後擺臂固定座-球珠</p>
<p>TU0424 OP</p>  <p>Steering Rack 緩衝連接板 1pcs</p>	<p>TU0426 OP</p>  <p>Carbon Battery Plate 碳纖電池壓板 2pcs</p>	<p>TU0428 OP</p>  <p>Carbon Front Shock Tower 碳纖前避震架 1pcs</p>	<p>TU0429 OP</p>  <p>Carbon Rear Shock Tower 碳纖後避震架 1pcs</p>	

TR04 Pro

SETUP SHEET for the TeamC TR04 Pro

Driver _____

Track / City _____

Event _____ Date ____ / ____ / ____

Conditions

- Smooth Bumpy Low traction Med traction High traction
 Sandy Soft dirt Grass Hard soil Clay Wet Dry Dusty Other

Front Suspension Shock Mounting&Camber link

Toe-in (+)/Out (-) _____ °
 Bump Steep Spacer _____
 Anti-roll bar: _____ mm
 Camber _____ °
 Washers _____ mm
 Caster
 10°
 13°

Ride height _____

Front Shocks

Spring(color)
 Black

 Oil _____ wt
 Piston # _____

Rear Suspension Shock Mounting&Camber link

Anti-roll bar: _____ mm
 Camber _____ °
 Wheelbase
 Long
 Medium
 Short

Ride height _____

Rear Shocks

Spring(color)
 Black

 Oil _____ wt
 Piston # _____

Front Diff

Brand _____
Oil wt _____

Rear Diff

Brand _____
Oil wt _____

Front Tires&Wheels

Front Tires _____
Inserts _____ Wheels _____

Rear Tires&Wheels

Rear Tires _____
Inserts _____ Wheels _____

Batteries

Servo _____
Esc _____
Batteries _____

Motor

Motor _____
Pinion/Spur _____ / _____

Other

Wing _____
Wing Angle 4° 10°



www.teamcracing.net