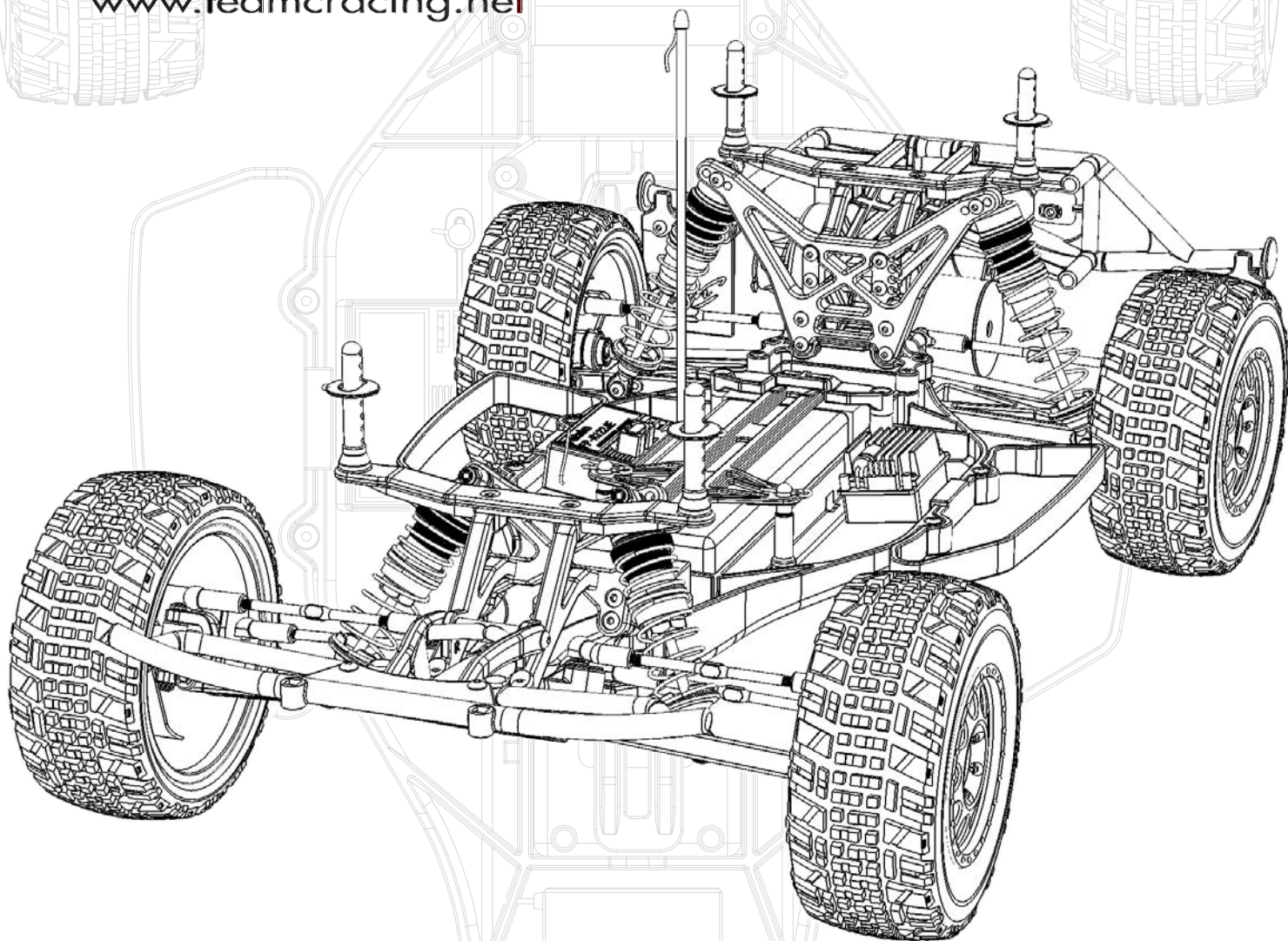


**Team**

**TS2TE**

[www.teamcracing.net](http://www.teamcracing.net)



**1:10 SCALE RADIO 2WD ELECTRIC  
SHORT-COURSE**

**Dimensions 尺寸:**

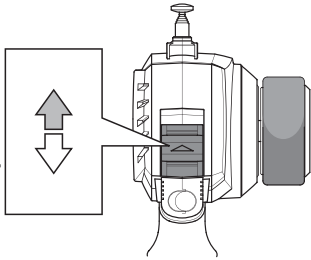
Length 長度.....	550mm
Width 寬度 .....	296mm
Height 高度.....	190~200mm
Wheel distance 輪距.....	328mm

# Transmitter Preparation

## 調整遙控器

Power Switch  
電源

ON  
OFF



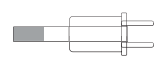
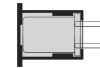
Antenna  
天線

Extend the antenna to the maximum Length for best performance  
天線拉的越長性能越好

27MHz Transmitter Crystal (TX)  
27MHz 發射機晶片 (TX)

Transmitter crystal (TX)  
發射機晶片

Receiver crystal (RX)  
接收機晶片



The crystal can be replaced to change frequencies.  
Note: You must also change receiver crystals!  
Do not use AM crystals

更換晶片可以改變頻率  
注意：你也必須改變接收機晶片！

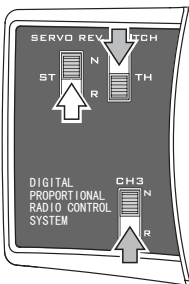
Battery Level Indicator  
電池標準指示燈

Good Batteries  
標準的電池

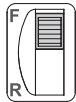
Low Batteries (Light Blinks)  
低電的電池 (電燈閃爍)

Reverse Switch  
反向開關

! Servo Factory Settings  
! 工廠安裝 (當轉向/油門反向時調整用)



4 3ch Switch  
第三動作開關

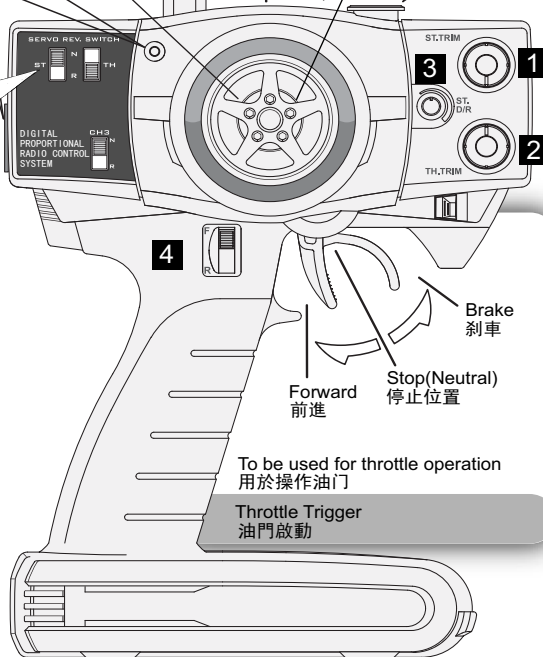


This switch is used for optional parts.  
這個開關用於選擇部分

Left turn  
向左旋轉

Straight (neutral)  
豎直 (中立)

Right turn  
向右旋轉



1 Steering Trim  
方向調整



To be used for trimming the steering operation  
用於調整轉向中立點

2 Throttle Trim  
油門/後退 (剎車) 調整



To be used for trimming the throttle operation  
用於調整油門中立點

3 Steering Dual Rate  
轉向舵角量



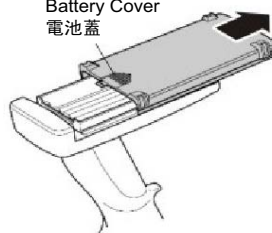
To be used to adjust steering servo throw  
用來調整轉向伺服

Transmitter Battery Installation  
遙控器電池安裝

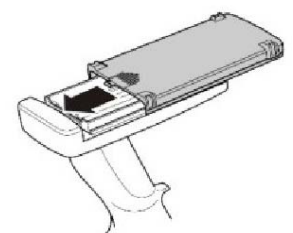
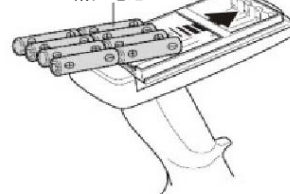
Open battery cover at the bottom of transmitter.  
Install batteries. Follow the direction of batteries designated in the inside of battery box.

在遙控器的詢問打開電池蓋，安裝電池。  
跟隨電池的指示在電池盒裏面指定。

Battery Cover  
電池蓋



8X AA Alkaline Batteries  
AA 碱性電池



# Transmitter Preparation

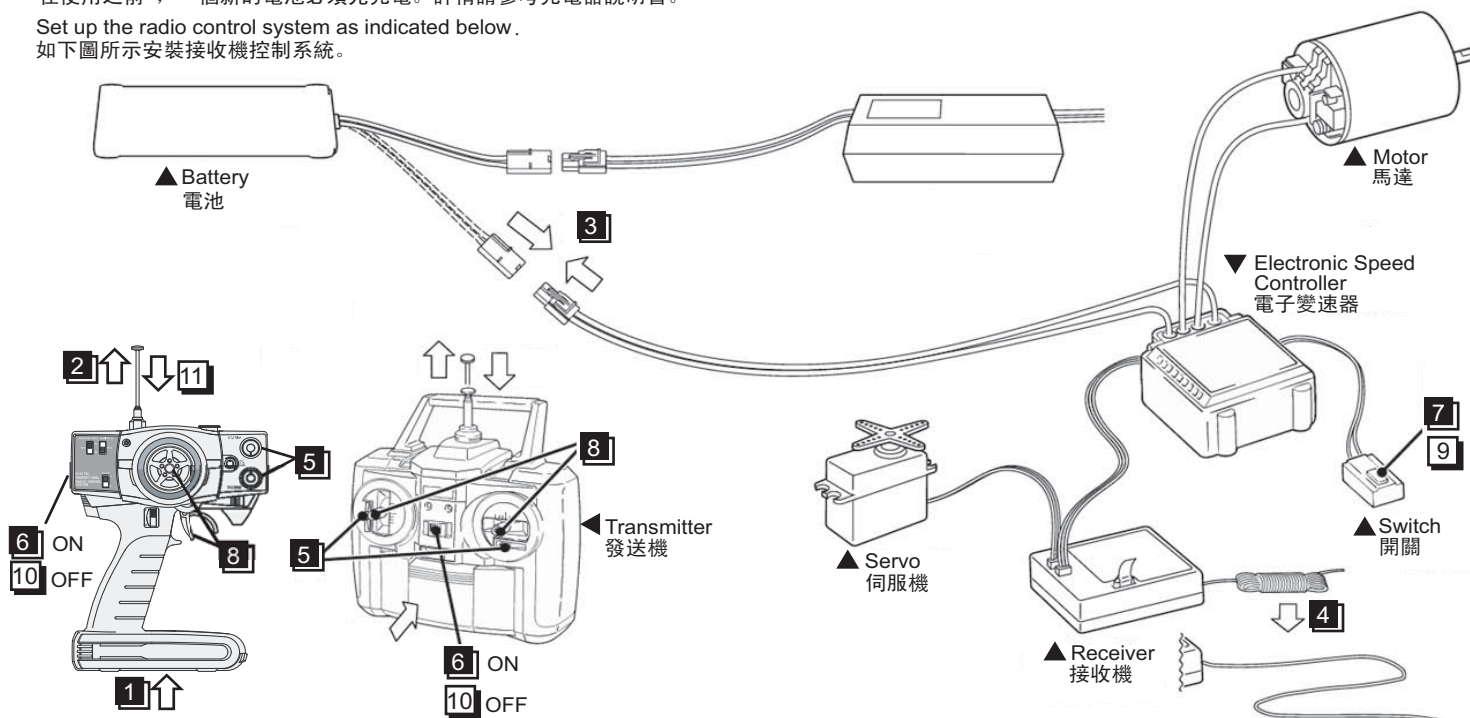
## 調整遙控器

A new Ni-MH battery must be charged before it is used. Refer to the charger instruction manual for charging.

在使用之前，一個新的電池必須先充電。詳情請參考充電器說明書。

Set up the radio control system as indicated below.

如下圖所示安裝接收機控制系統。



### ● Start

- 1 Install batteries.(Transmitter)
- 2 Extend the antenna.(Transmitter)
- 3 Connect the battery
- 4 Extend the antenna.(Receiver)
- 5 Center the trims.
- 6 Switch on.(Transmitter)
- 7 Switch on.(Receiver)
- 8 Make sure the servos are in command.

### ● Finish

- 9 Switch off.(Receiver)
- 10 Switch off.(Transmitter)
- 11 Retract the antenna(Transmitter)

### ● 开始

- 1 安裝電池(發送機) 安裝電池(發送機)
- 2 拉出天線(發送機)
- 3 連接電池
- 4 拉出天線(接收機)
- 5 中心對整齊
- 6 開關(發送機)
- 7 開關(發送機)
- 8 確定控制伺服機

### ● 结束

- 9 關閉開關(接收機)
- 10 關閉開關(發送機)
- 11 收回天線(發送機)

## Tools required

### 組裝需要的工具

- Needle Nose Pliers 尖嘴鉗



- Awl 錐



- Grease 潤滑油



- Screw Cement 螺絲膠水



- H162 Instant Glue 瞬間膠水



- Differential Grease 差速油



- Molybdenum Grease(Black) 鉬油(黑)



- H154 Body Reamer 車殼鉸刀

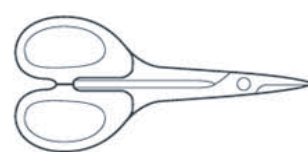


No need to pre-drill precise holes (1mm to 15mm) can be drilled  
可以對預鑽的孔準確的鑽1mm-15mm

- Wire Cutters 鋼絲鉗



- H096 ROUND CUTTER 剪刀



- Hex Wrench 六角扳手



- Hex Wrench 十字套筒

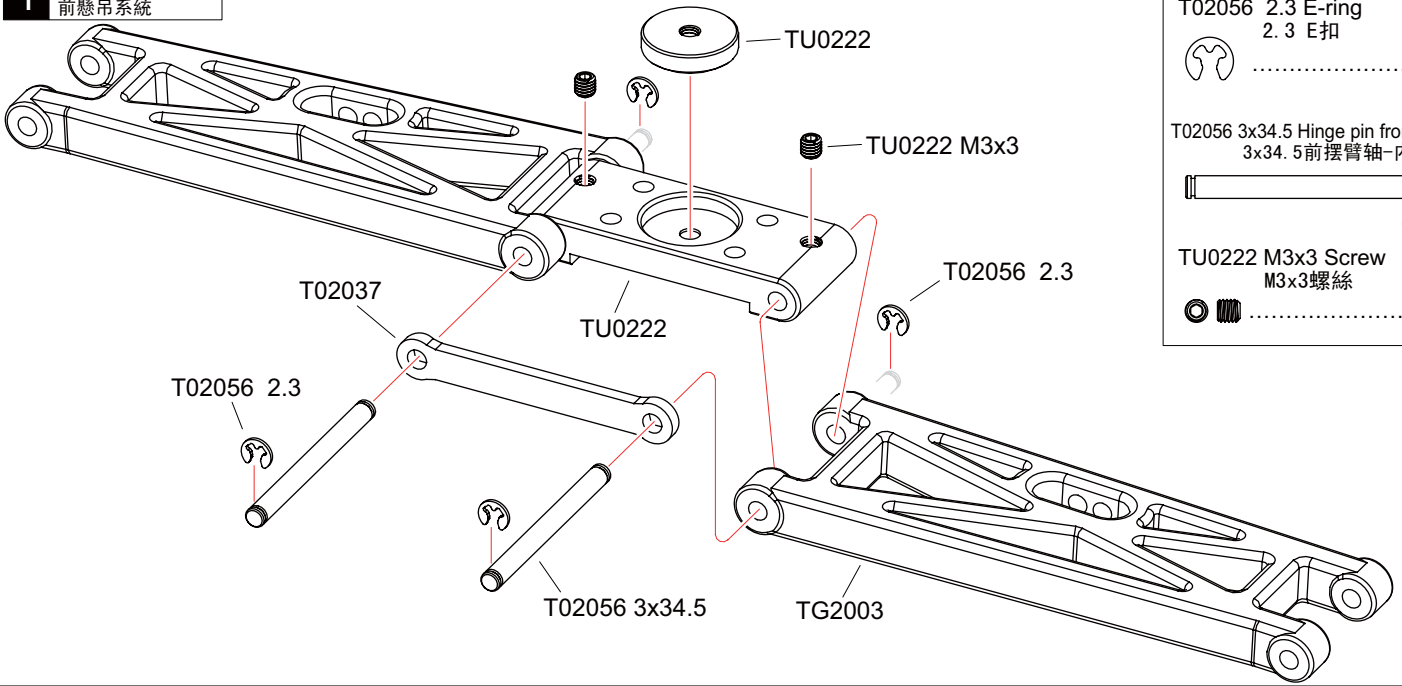


- Sharp Hobby knife 美工刀



For trimming bodies!  
用於修剪車殼!

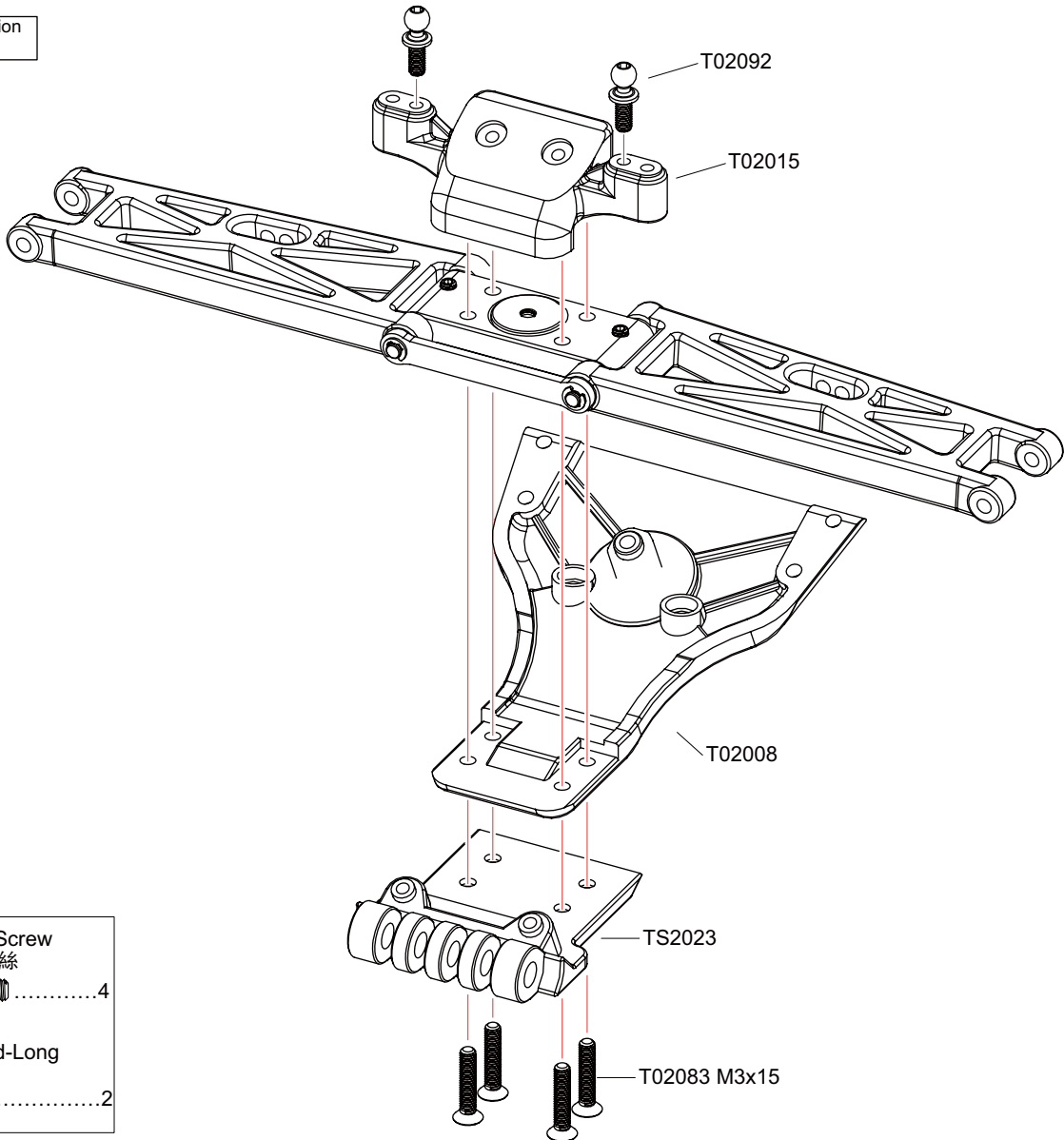
**1** Front Suspension  
前懸吊系統



T02056 2.3 E-ring 2.3 E扣	.....4
T02056 3x34.5 Hinge pin front inner 3x34.5前擺臂軸-內	.....2
TU0222 M3x3 Screw M3x3螺絲	.....2



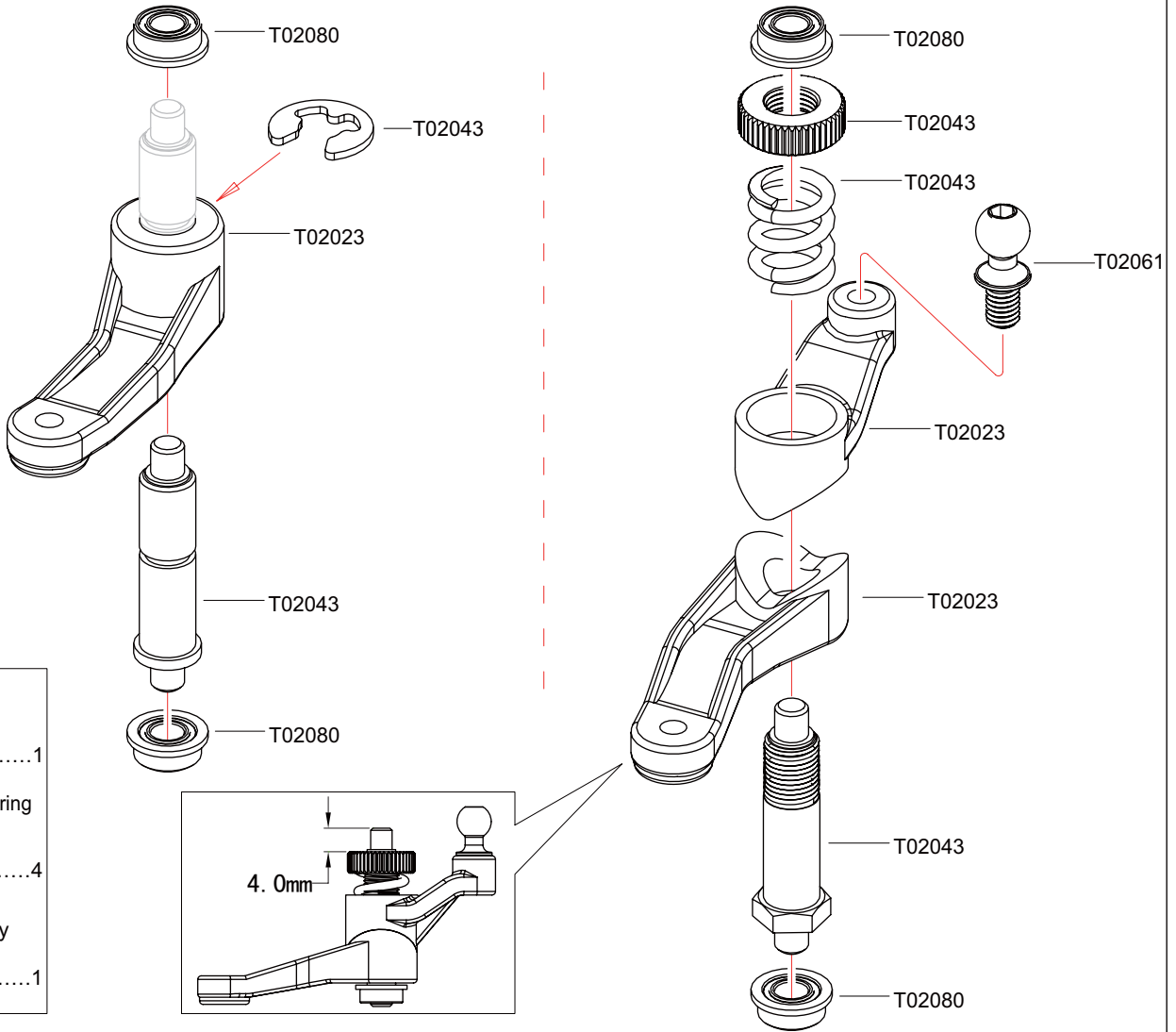
**2** Front Suspension  
前懸吊系統



T02083 M3x15 Screw M3x15螺絲	.....4
T02092 Ball stud-Long 球頭-長	.....2

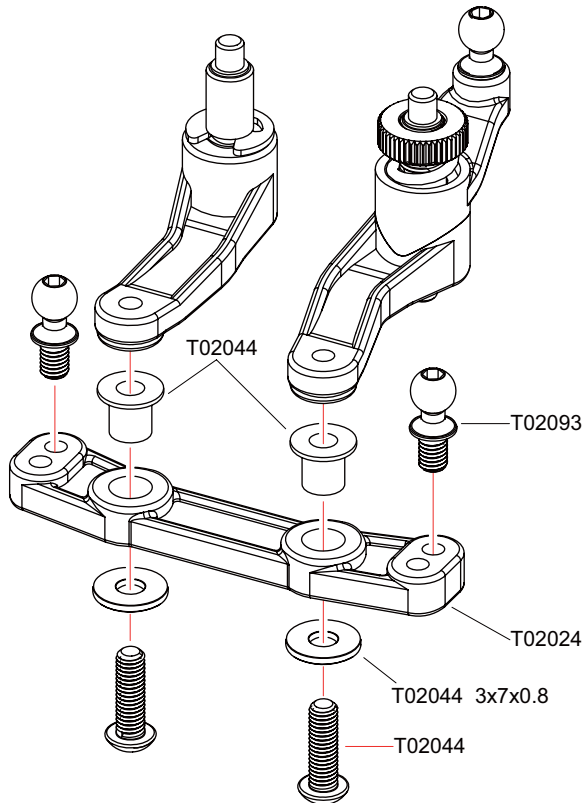
Assemble Both Left And Right  
組裝左和右

**3** Buffer  
緩衝



- T02043 4.0 E-ring  
4.0 E扣 .....1
- T02080 3x6x2.5 Ball Bearing  
3x6x2.5軸承 .....4
- T02061 Ball stud-Silvery  
球頭-銀色 .....1

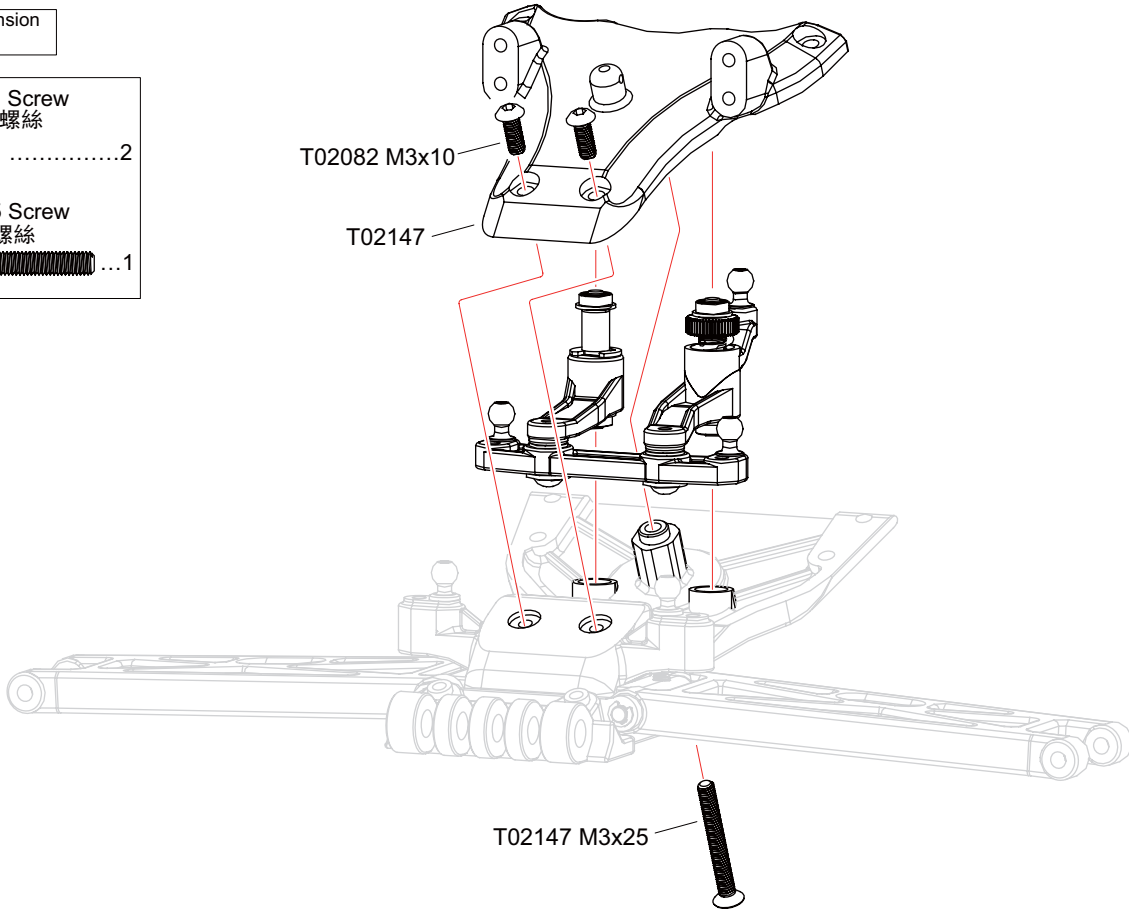
**4** Buffer  
緩衝



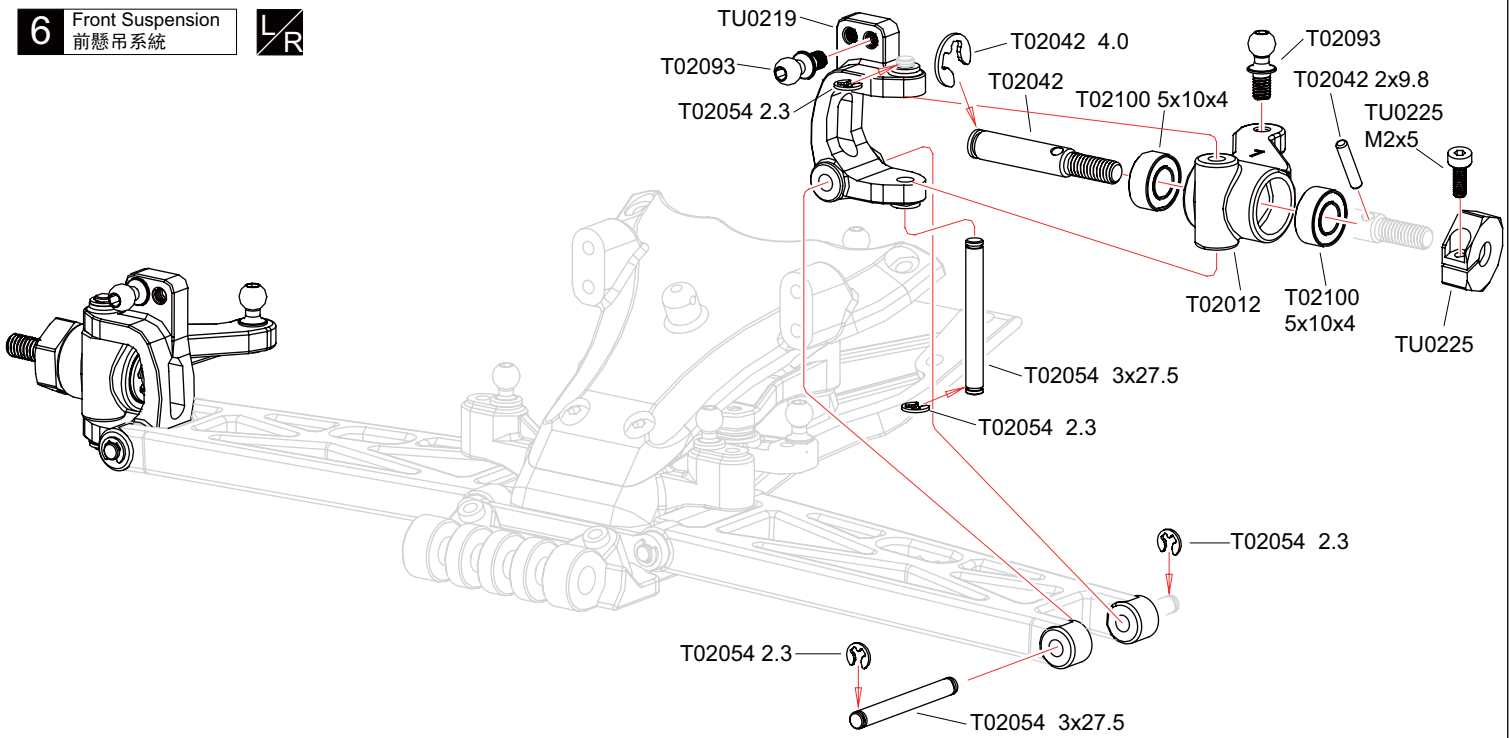
- T02044 Block Carrier  
軸套 .....2
- T02044 M3x10 Screw  
M3x10螺絲 .....2
- T02093 Ball stud-Short  
球頭-短 .....2
- T02044 3x7x0.8 Washer  
3x7x0.8墊片 .....2

**5** Front Suspension  
前懸吊系統

- T02082 M3x10 Screw  
M3x10螺絲 .....2
- T02147 M3x25 Screw  
M3x25螺絲 .....1



**6** Front Suspension  
前懸吊系統



- T02054 2.3 E-ring  
2.3 E扣 .....8

- T02042 4.0 E-ring  
4.0 E扣 .....2

- T02042 2x9.8 Shaft  
2x9.8鋼針 .....2

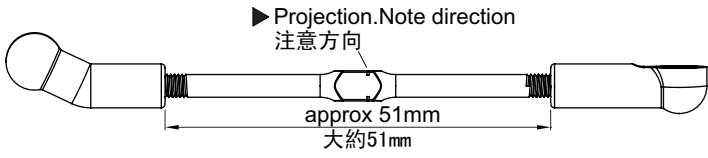
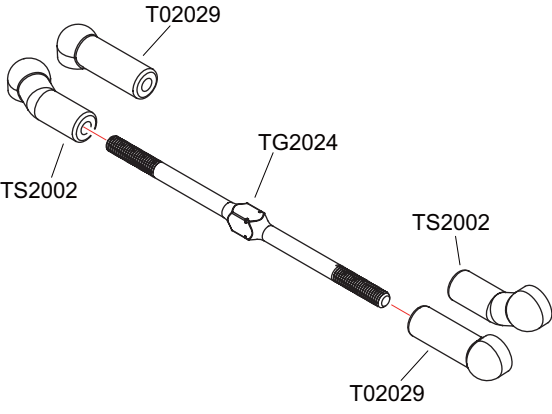
- T02054 3x27.5 Hinge pin front outer  
3x27.5前擺臂軸-外 .....4

- TU0225 M2x5 Screw  
M2x5螺絲 .....2

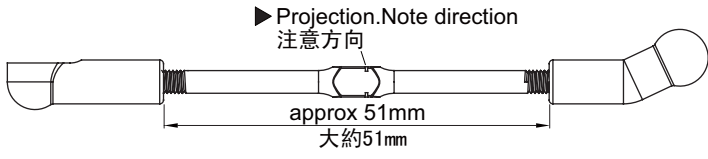
- T02093 Ball stud-Short  
球頭-短 .....4

- T02100 5x10x4 all bearing  
5x10x4軸承 .....4

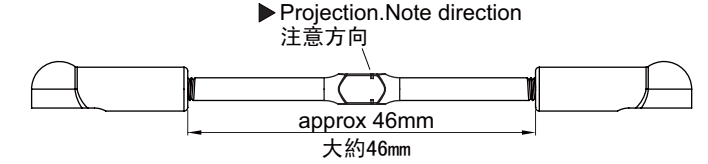
**7** Turnbuckle  
拉桿



Front Upper-Left  
前上拉桿-左  
**x1 1:1**



Front Upper-Right  
前上拉桿-右  
**x1 1:1**

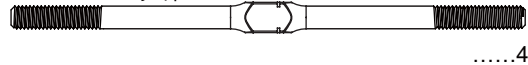


Steering Tip  
轉向拉桿  
**x2 1:1**

T02029 4.8mm Ball End-Long  
4.8mm球頭-長



TG2024 3x68 Turnbuckle  
3x68拉桿



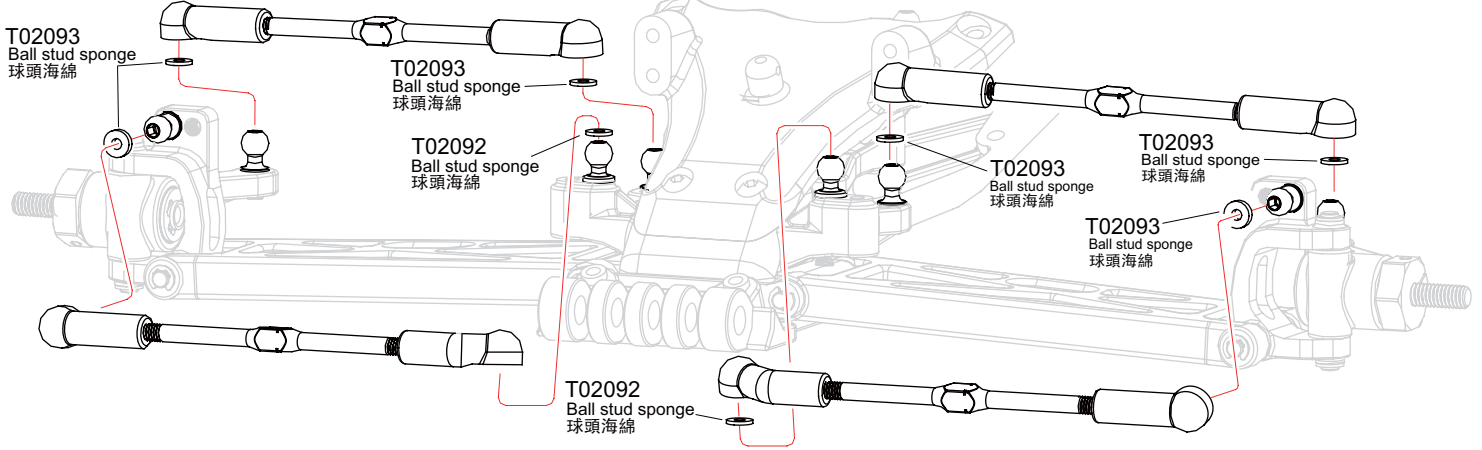
TS2002 4.8mm Ball End-bend  
4.8球頭座-彎



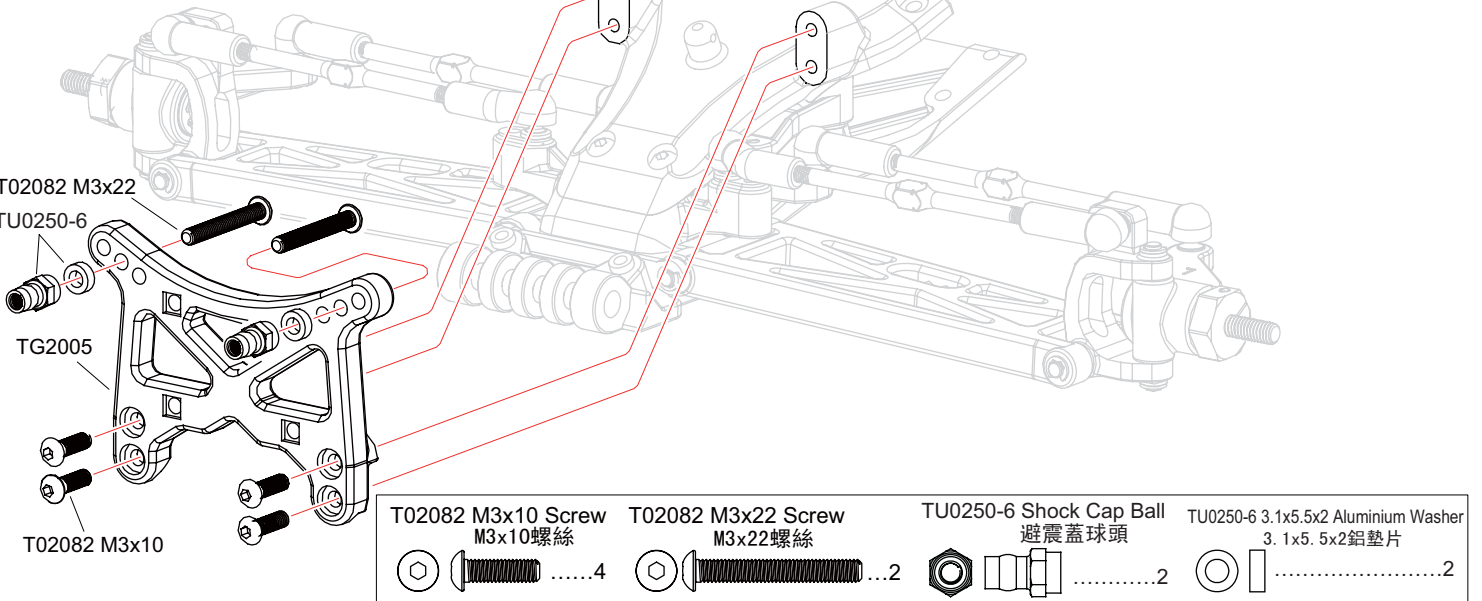
TS2002 4.8mm Ball End-bend  
4.8球頭座-彎



**8** Front Suspension  
前懸吊系統



**9** Front Suspension  
前懸吊系統



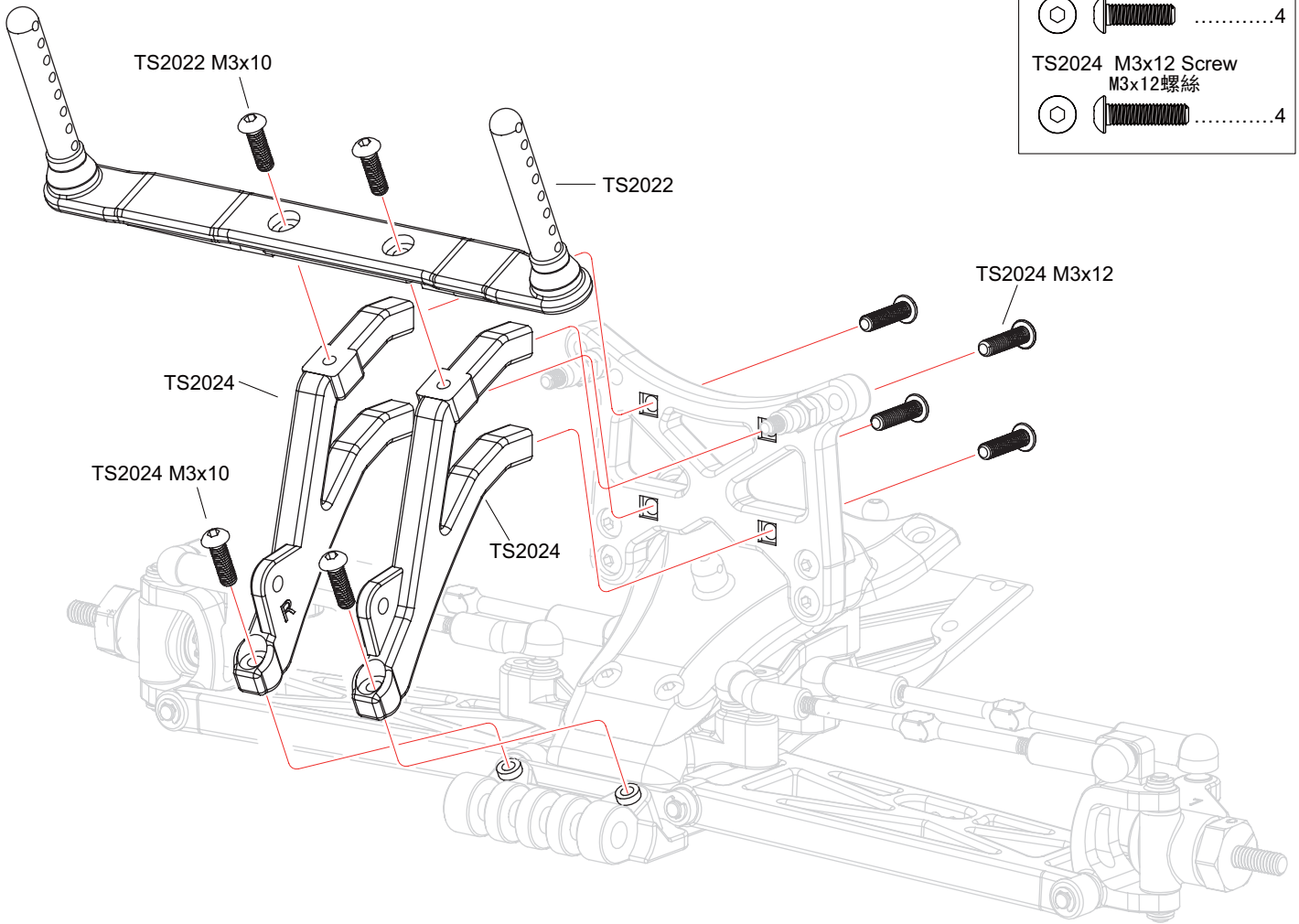
- |                               |                               |                                  |   |
|-------------------------------|-------------------------------|----------------------------------|---|
| T02082 M3x10 Screw<br>M3x10螺絲 | T02082 M3x22 Screw<br>M3x22螺絲 | TU0250-6 Shock Cap Ball<br>避震蓋球頭 | TU0250-6 3.1x5.5x2 Aluminium Washer<br>3.1x5.5x2鋁墊片 |
| .....                         | ...                           | .....                            | .....   |
| 4                             | 2                             | 2                                | 2   |

**1:1** True-to-scale diagram  
圖形比例

**x1** Assemble as many times as specified  
需組裝次數

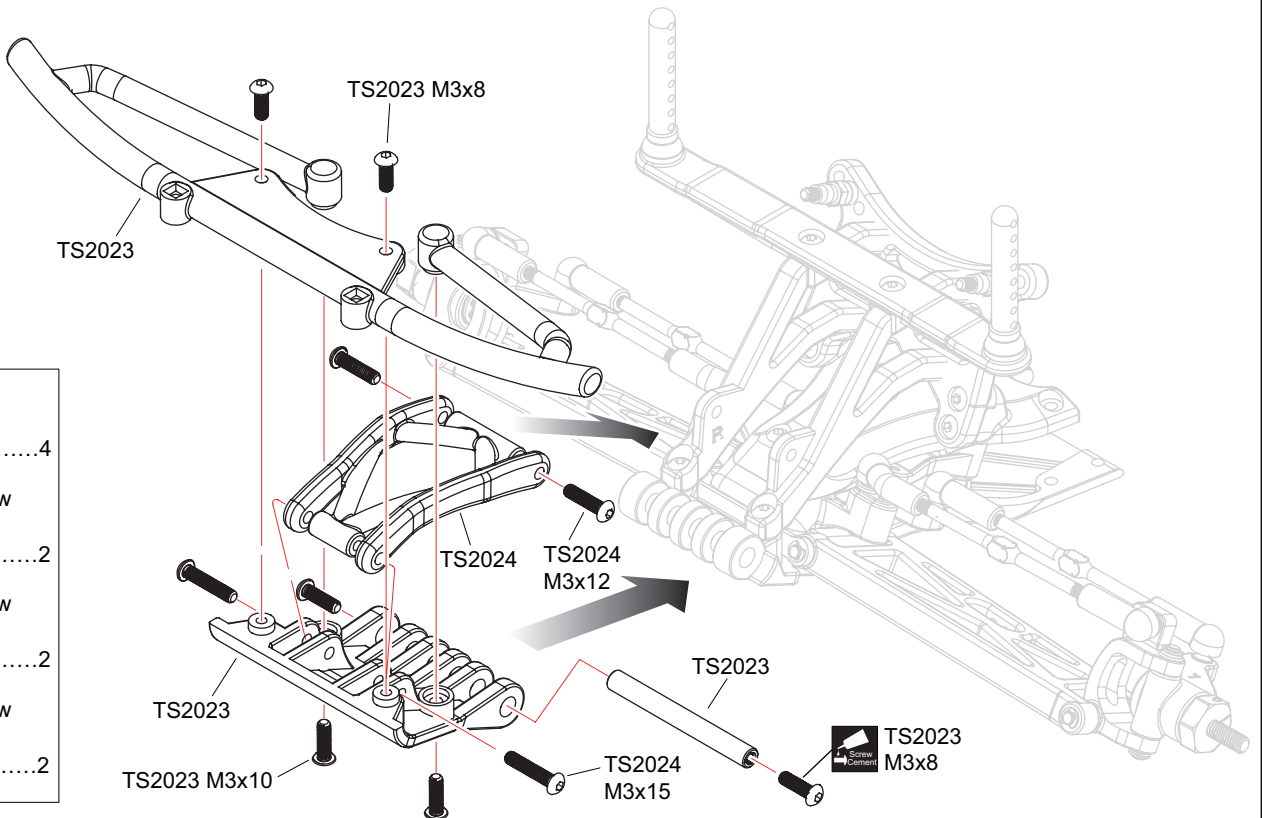
**10** Front Suspension  
前懸吊系統

- TS2022/TS2024 M3x10 Screw  
M3x10螺絲 ..... 4
- TS2024 M3x12 Screw  
M3x12螺絲 ..... 4



**11** Front Suspension  
前懸吊系統

- TS2023 M3x8 Screw  
M3x8螺絲 ..... 4
- TS2023 M3x10 Screw  
M3x10螺絲 ..... 2
- TS2024 M3x12 Screw  
M3x12螺絲 ..... 2
- TS2024 M3x15 Screw  
M3x15螺絲 ..... 2

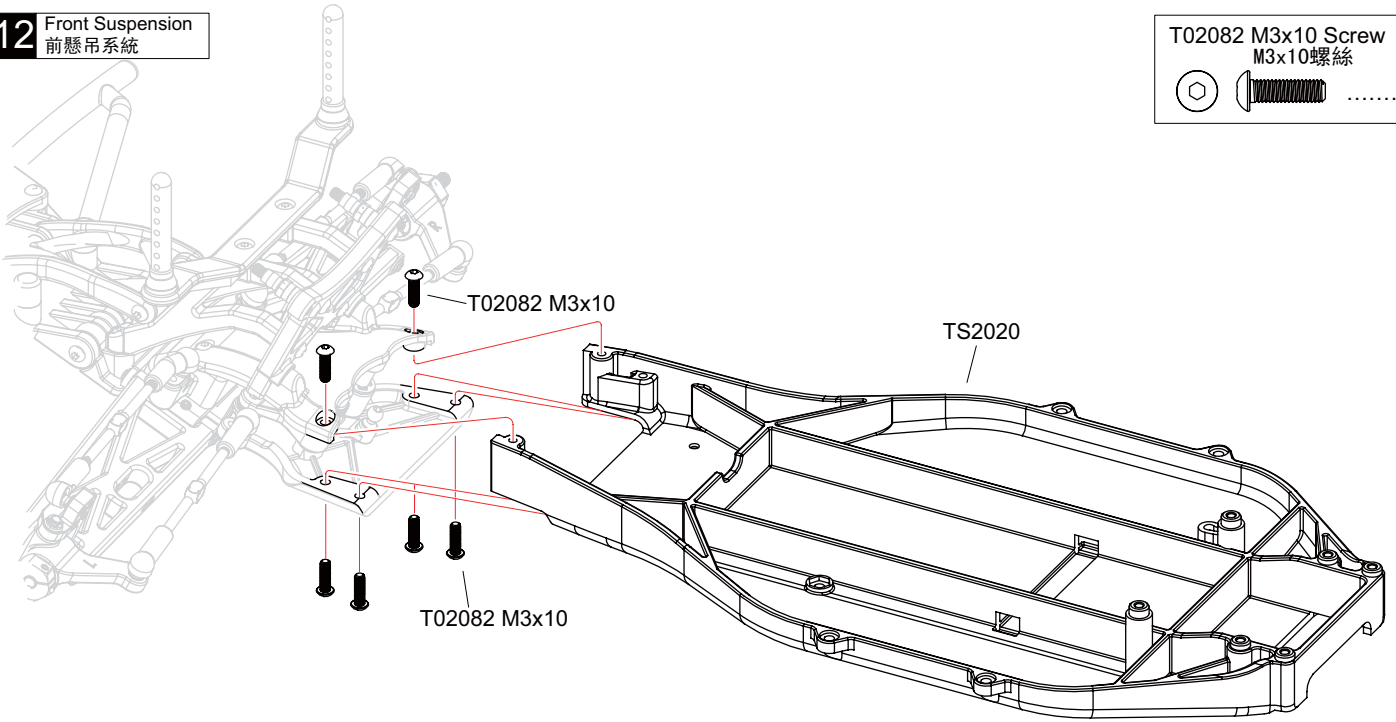


Apply threadlocker(screw cement)  
打螺絲膠水



**12** Front Suspension  
前懸吊系統

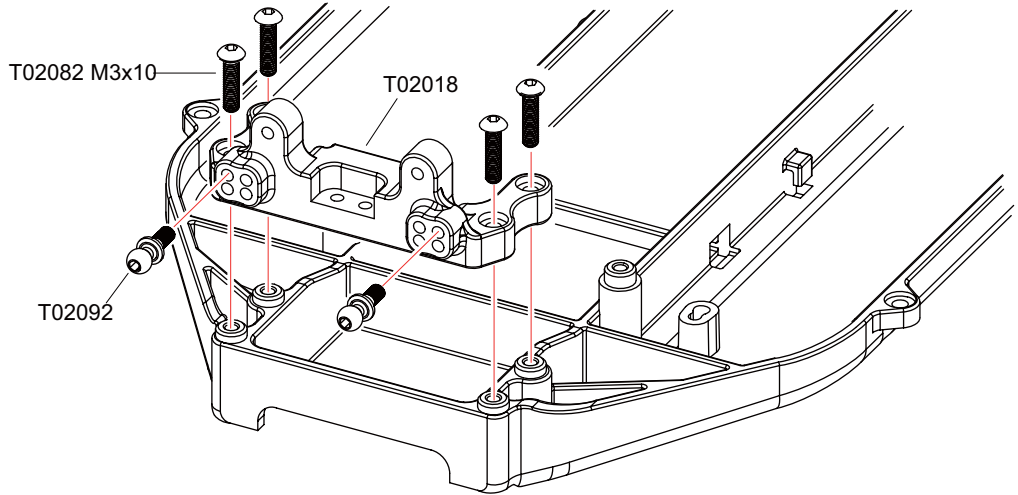
T02082 M3x10 Screw  
M3x10螺絲  
.....6



**13** Rear Suspension  
後懸吊系統

T02082 M3x10 Screw  
M3x10螺絲  
.....4

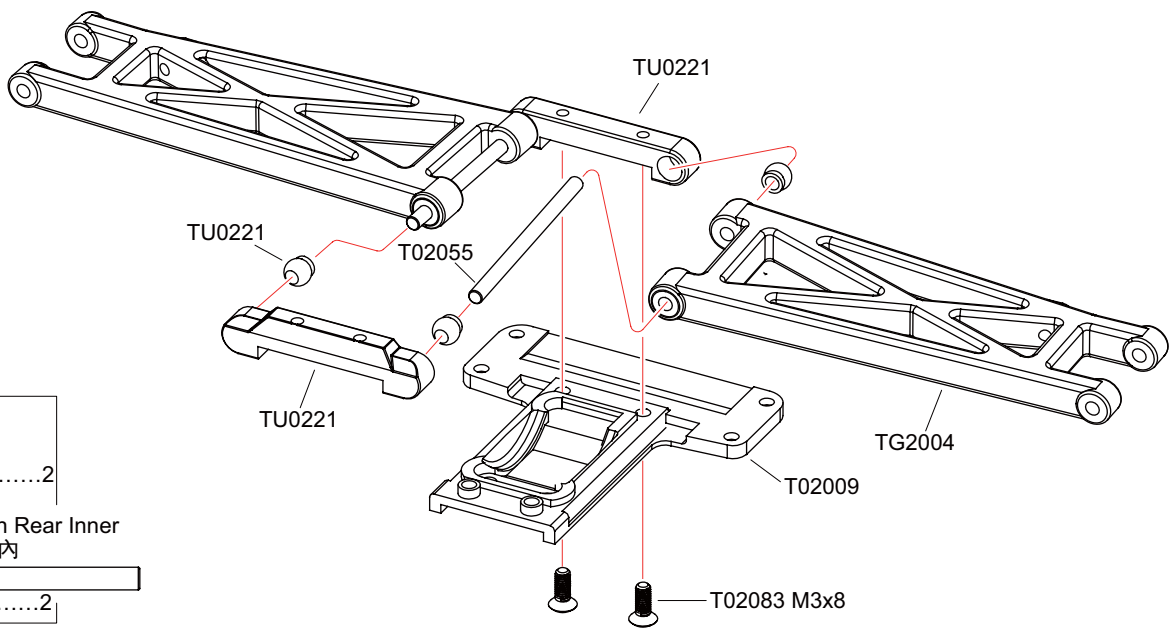
T02092 Ball stud-Long  
球頭-長  
.....2



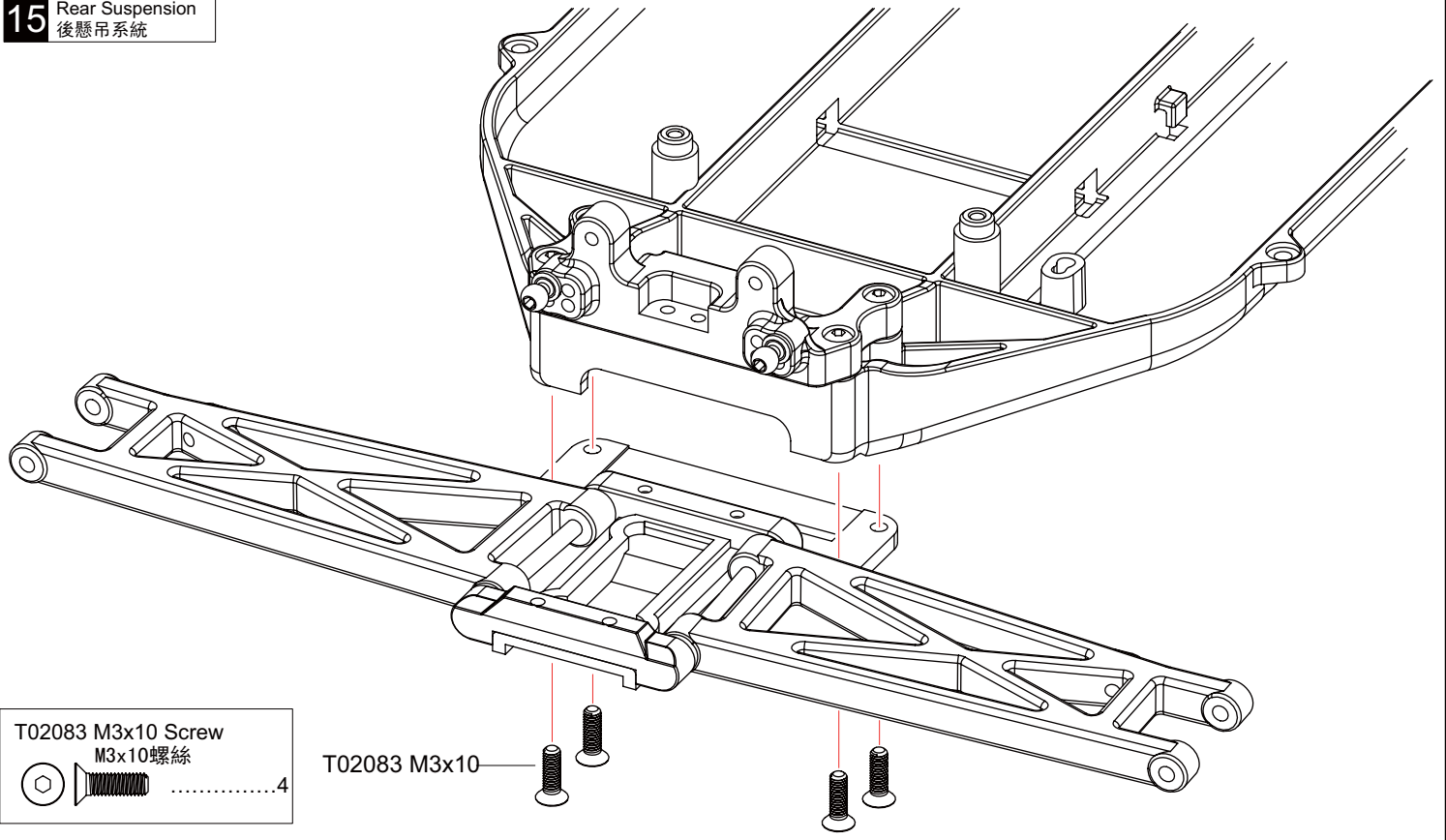
**14** Rear Suspension  
後懸吊系統

T02083 M3x8 Screw  
M3x8螺絲  
.....2

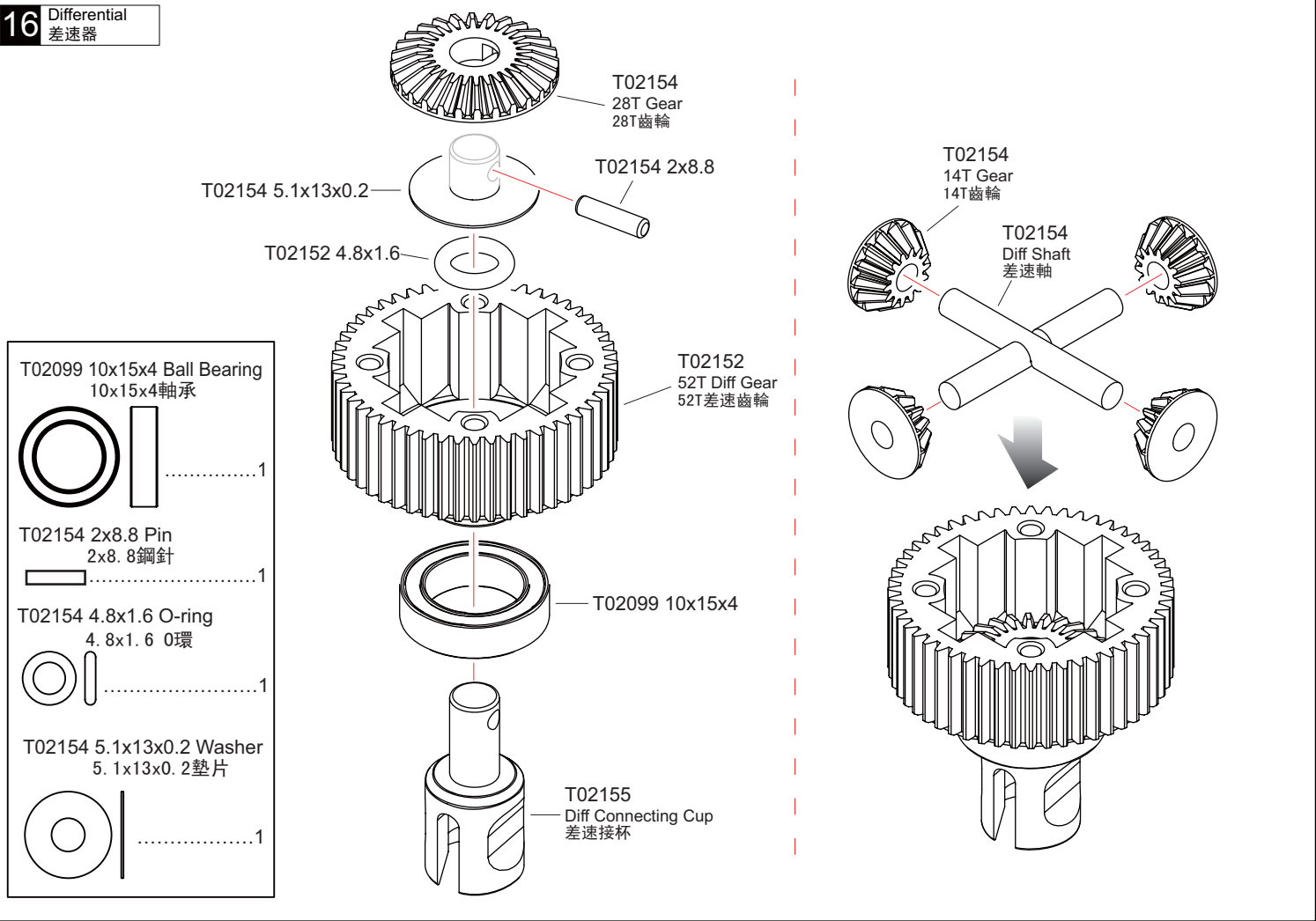
T02055 3x48 Hinge Pin Rear Inner  
3x48後擺臂軸-內  
.....2



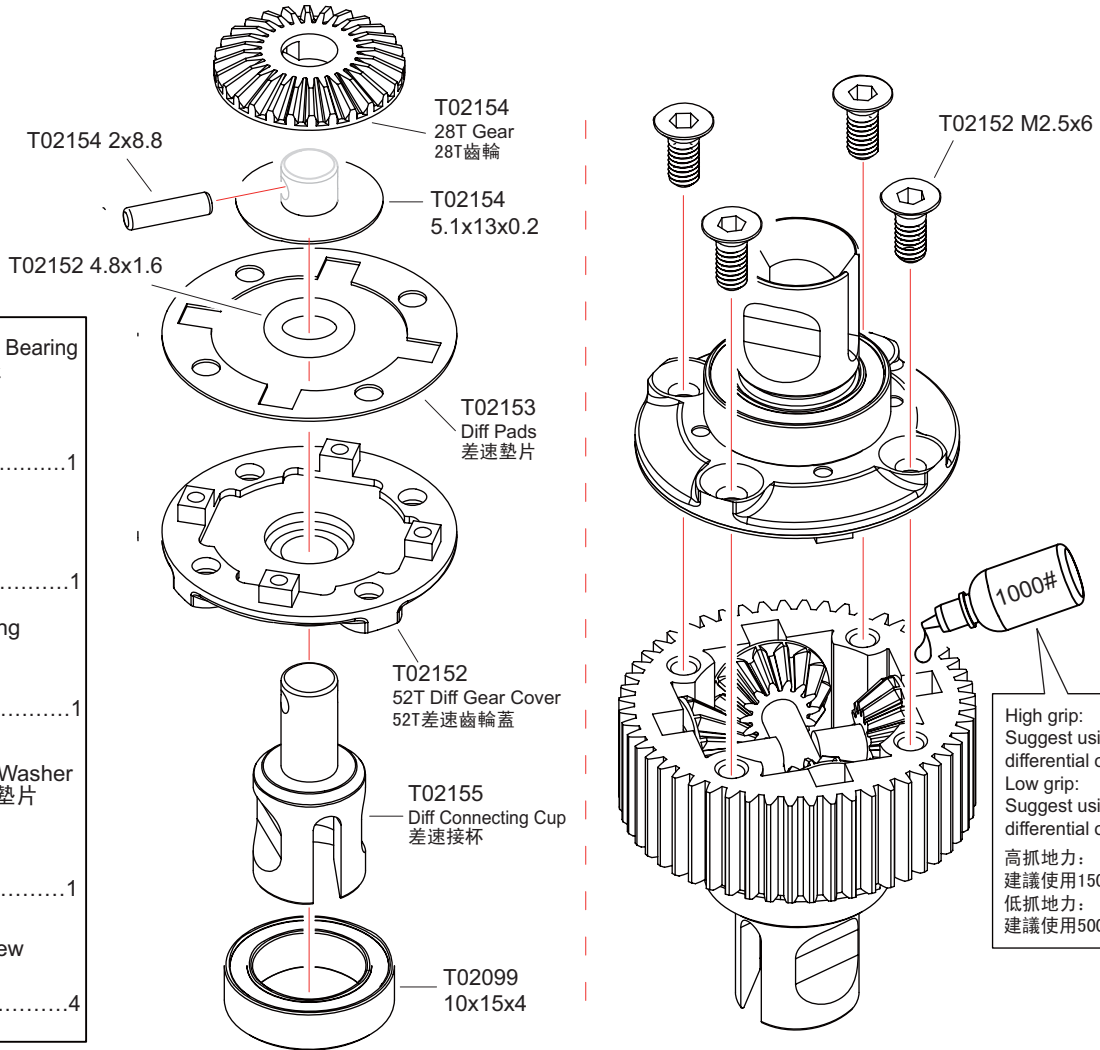
**15** Rear Suspension  
後懸吊系統



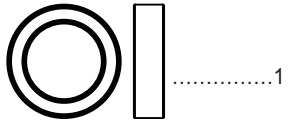
**16** Differential  
差速器



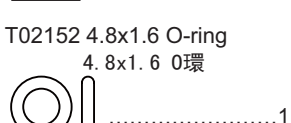
**17** Differential  
差速器



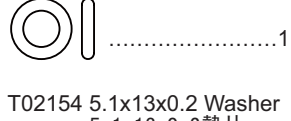
T02099 10x15x4 Ball Bearing  
10x15x4軸承



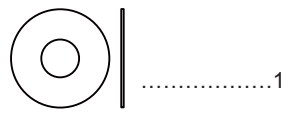
T02154 2x8.8 Pin  
2x8.8鋼針



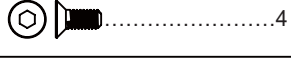
T02152 4.8x1.6 O-ring  
4.8x1.6 O環



T02154 5.1x13x0.2 Washer  
5.1x13x0.2墊片

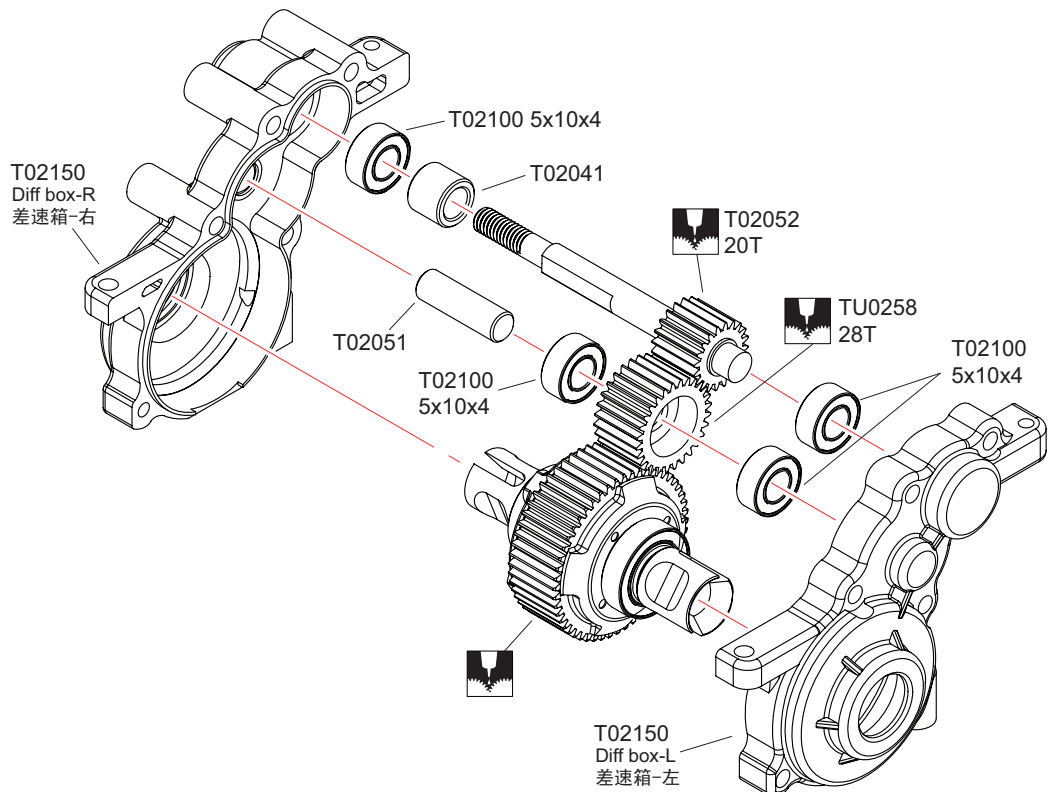


T02152 M2.5x6 Screw  
M2.5x6螺絲

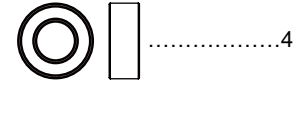


High grip:  
Suggest using 1500#-2000#  
differential oil;  
Low grip:  
Suggest using 500#-700#  
differential oil.  
高抓地力:  
建議使用1500#-2000#差速油;  
低抓地力:  
建議使用500#-700#差速油。

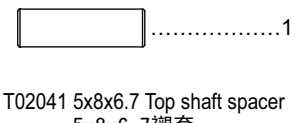
**18** Transmission  
差速箱



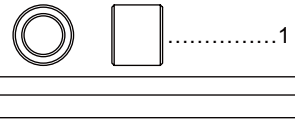
T02100 5x10x4 Ball bearing  
5x10x4軸承



T02051 5x16.8 Idler gear shaft  
5x16.8減速齒輪軸

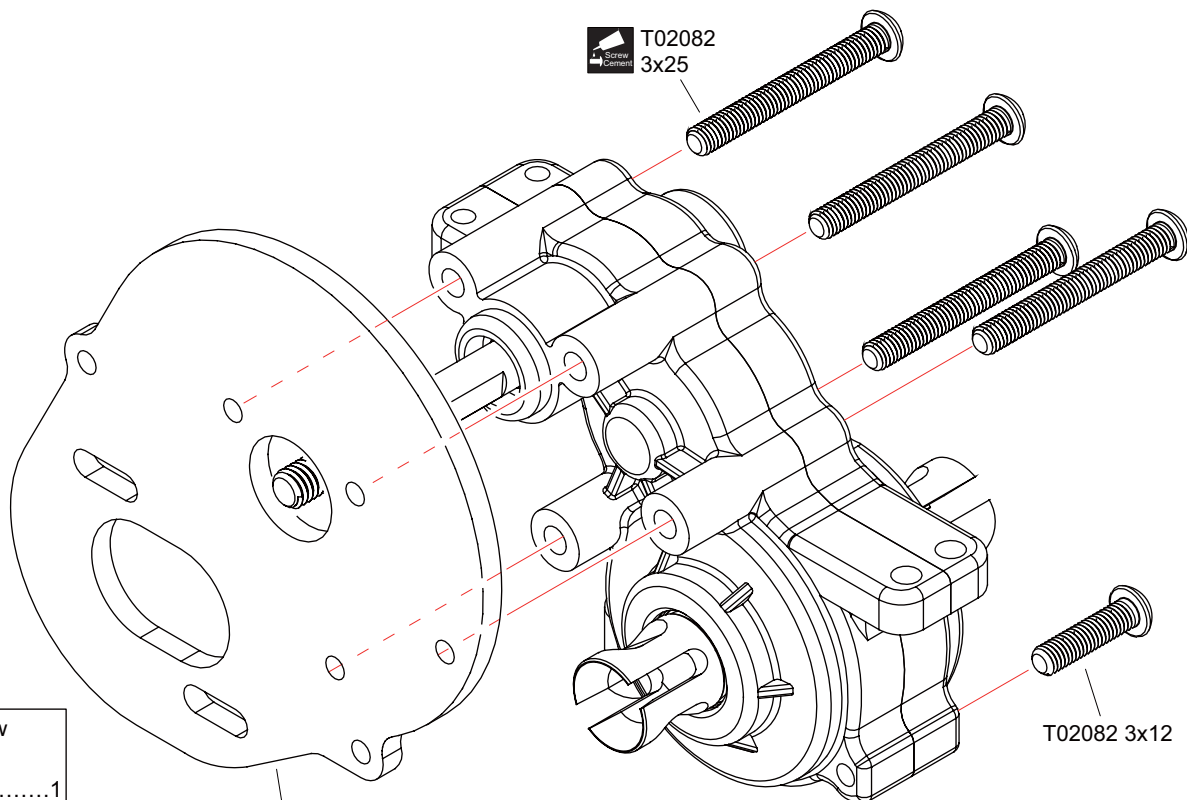


T02041 5x8x6.7 Top shaft spacer  
5x8x6.7襯套



Apply Grease  
塗油脂

**19** Motor Mount  
馬達座



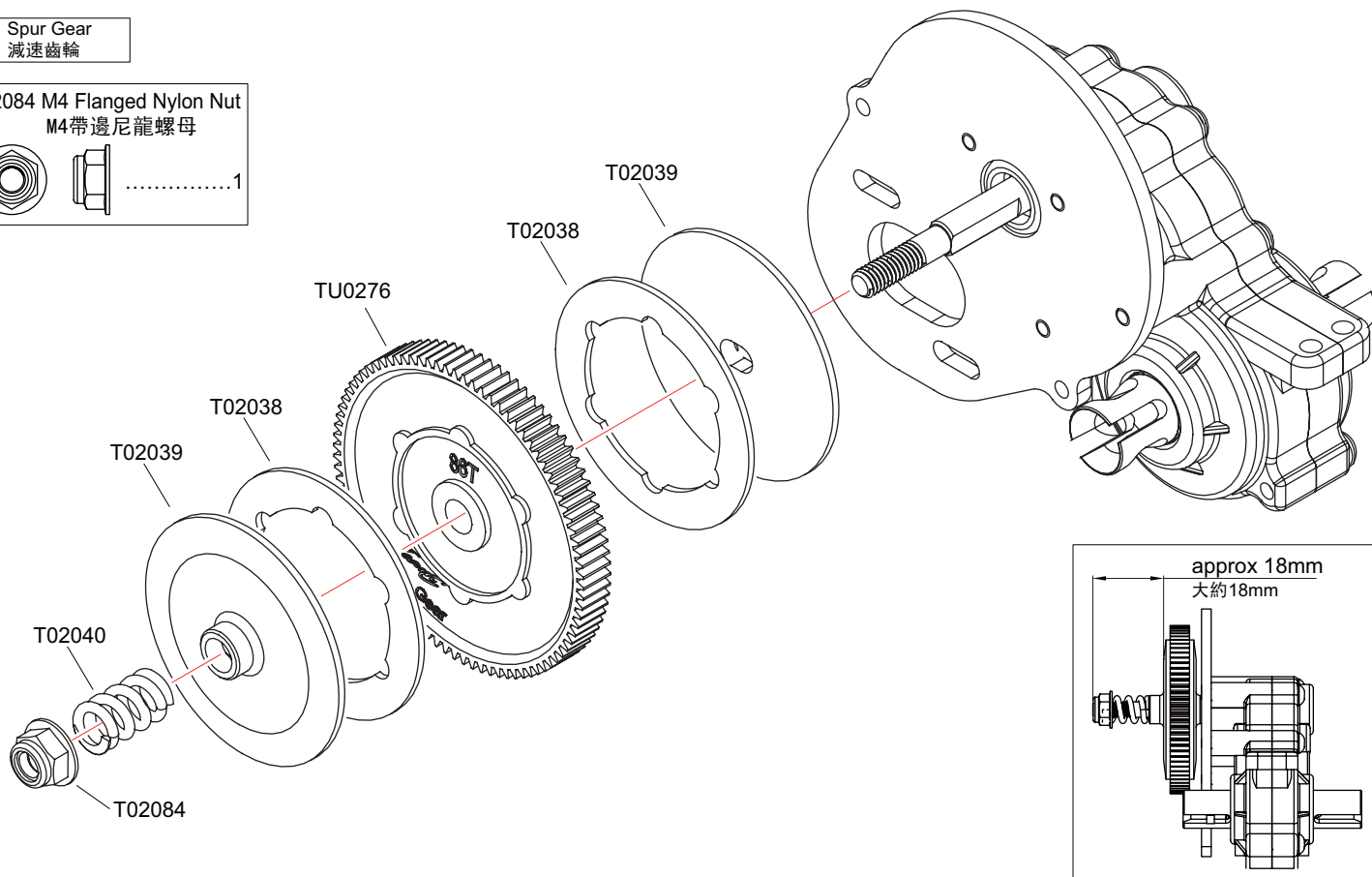
- T02082 M3x12 Screw  
M3x12螺絲  
.....1
- T02082 M3x25 Screw  
M3x25螺絲  
.....4

TU0229

T02082 3x12

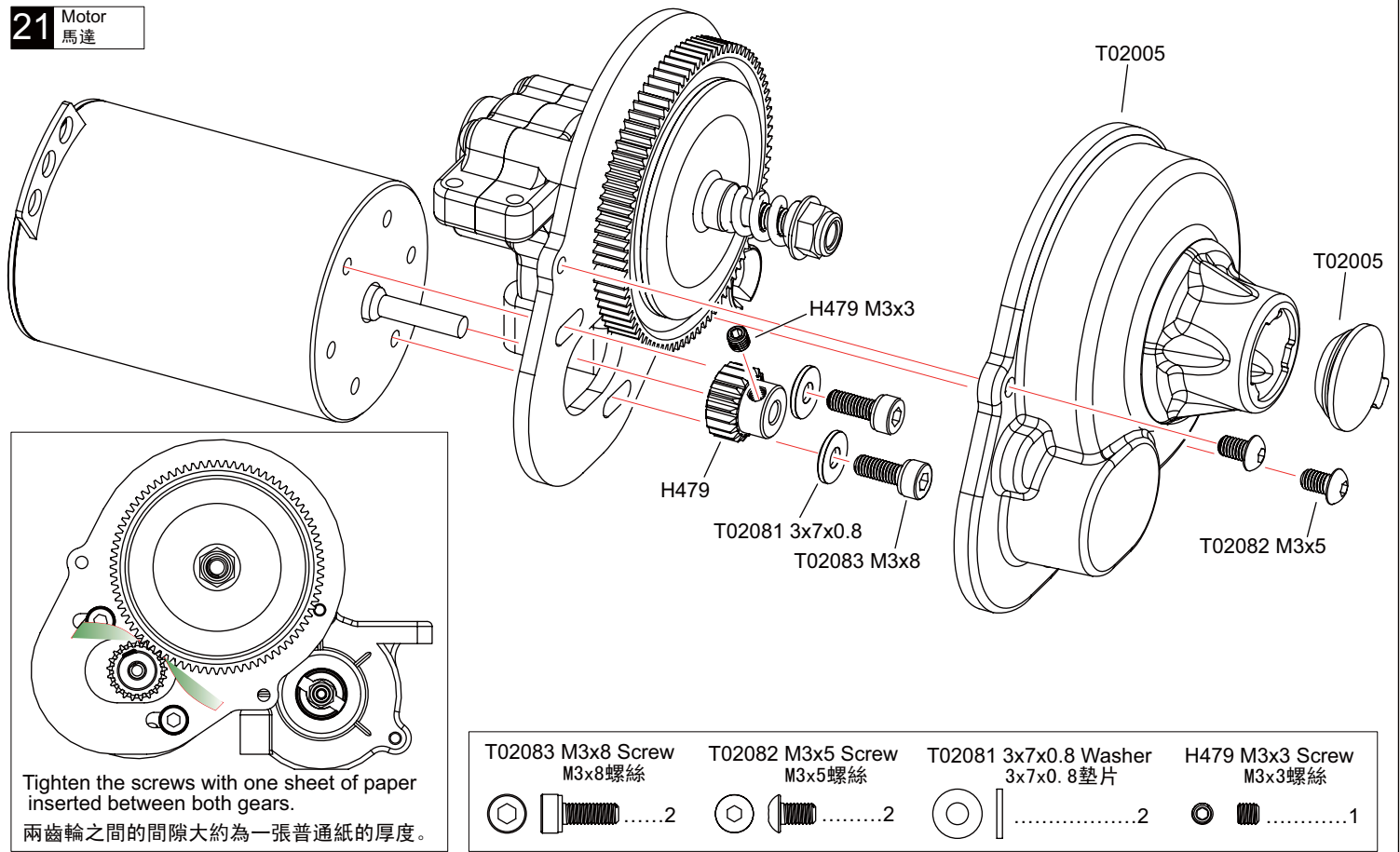
**20** Spur Gear  
減速齒輪

- T02084 M4 Flanged Nylon Nut  
M4帶邊尼龍螺母  
.....1

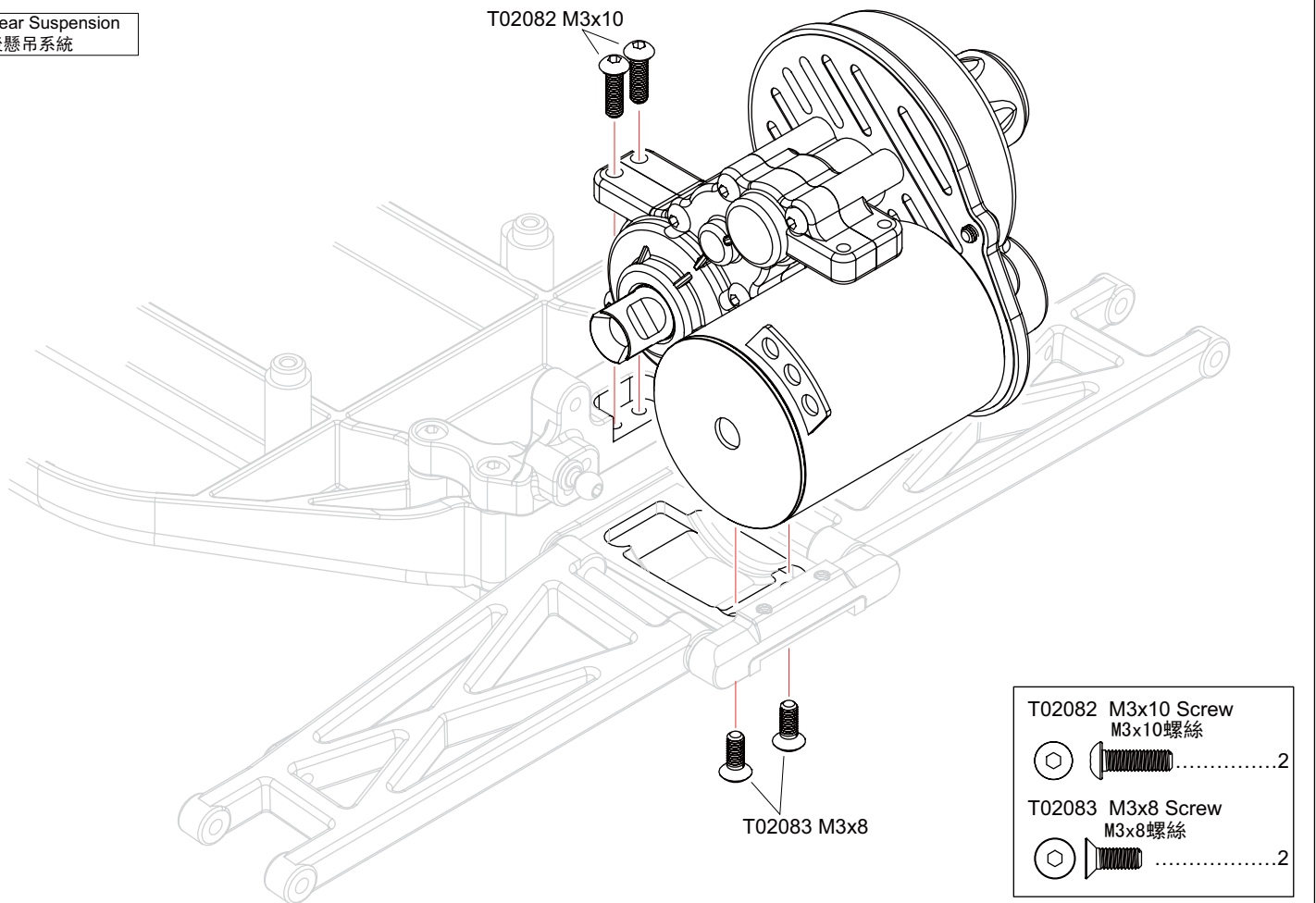


approx 18mm  
大約18mm

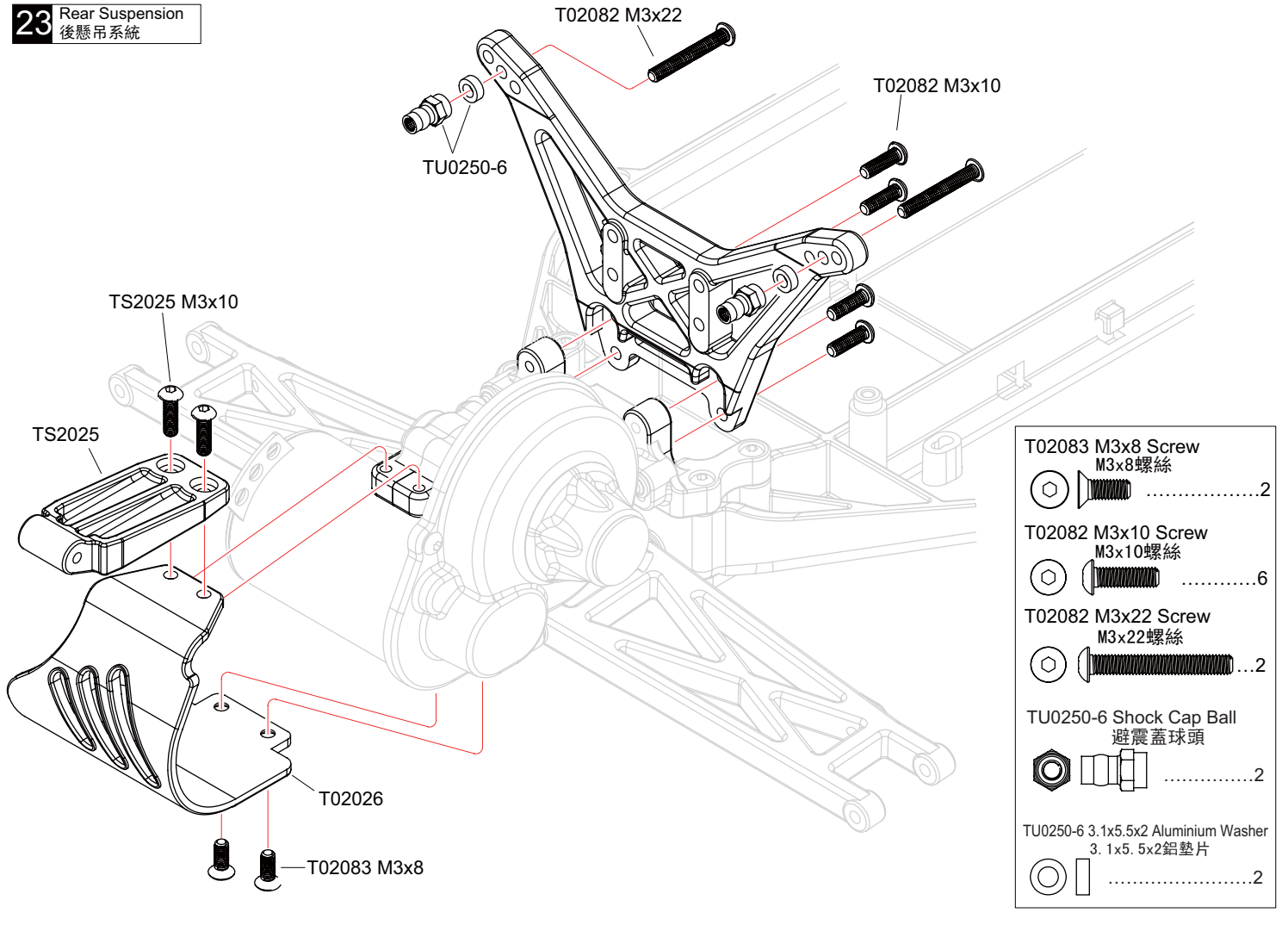
**21** Motor  
馬達



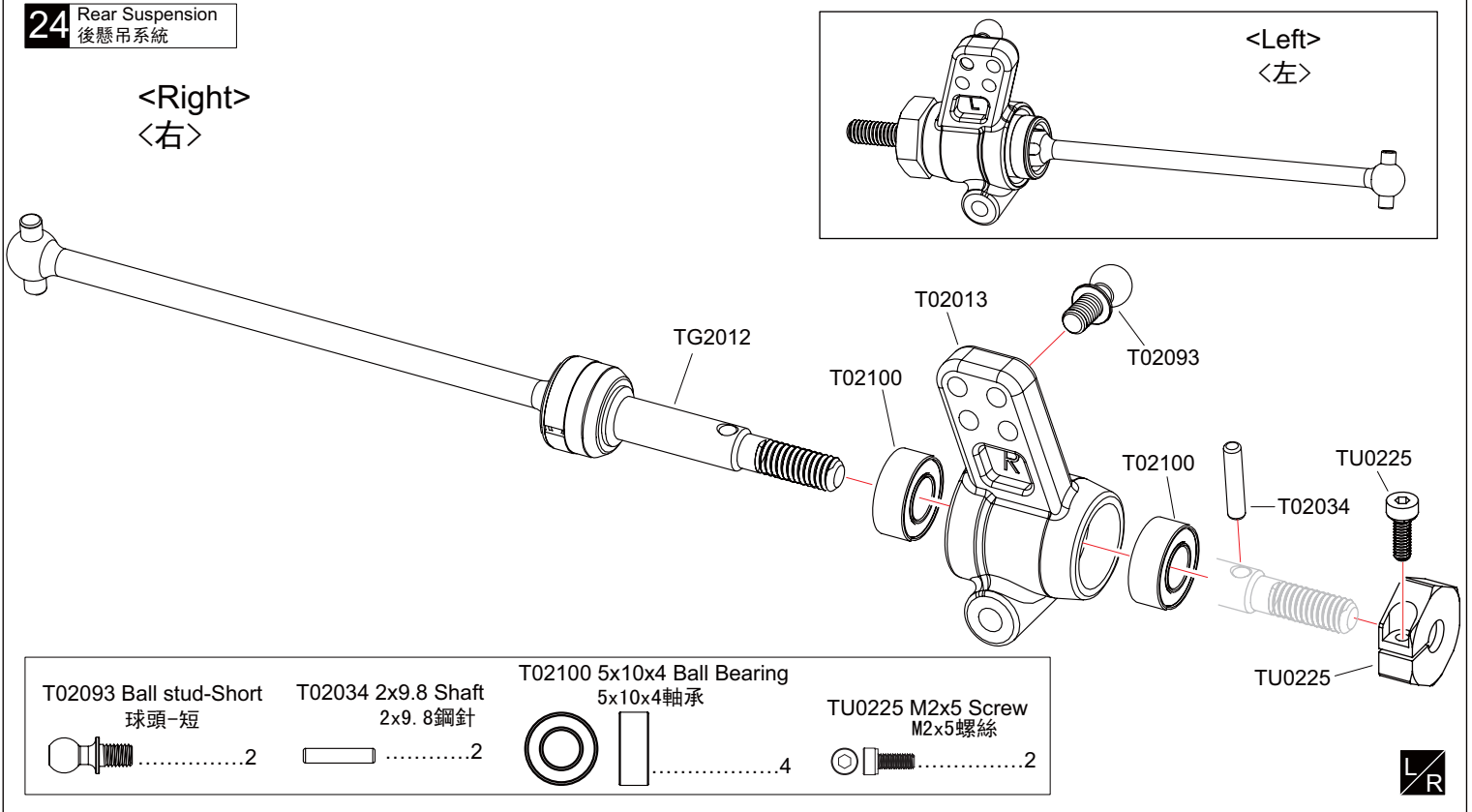
**22** Rear Suspension  
後懸吊系統



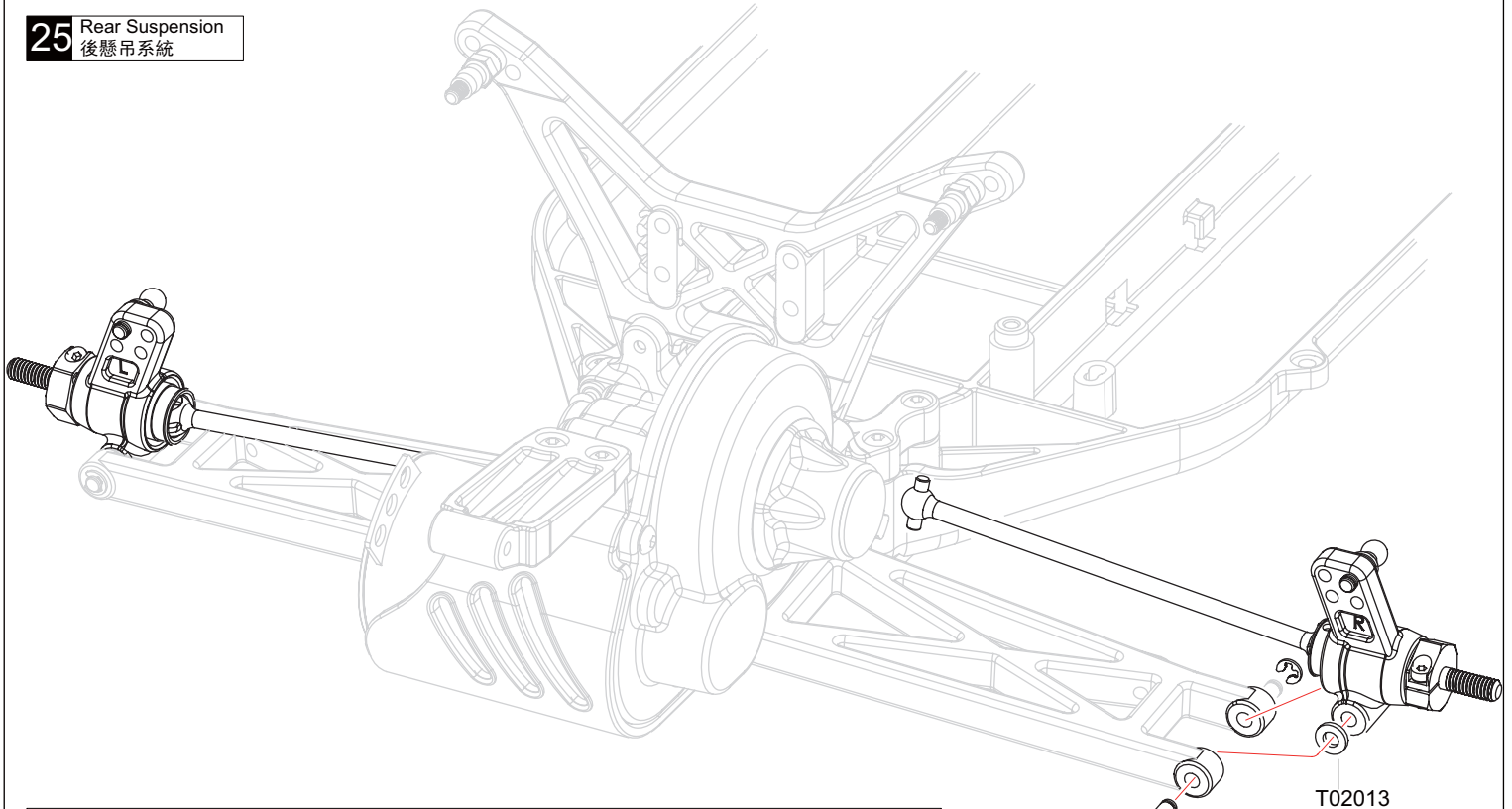
**23** Rear Suspension  
後懸吊系統



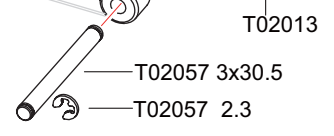
**24** Rear Suspension  
後懸吊系統



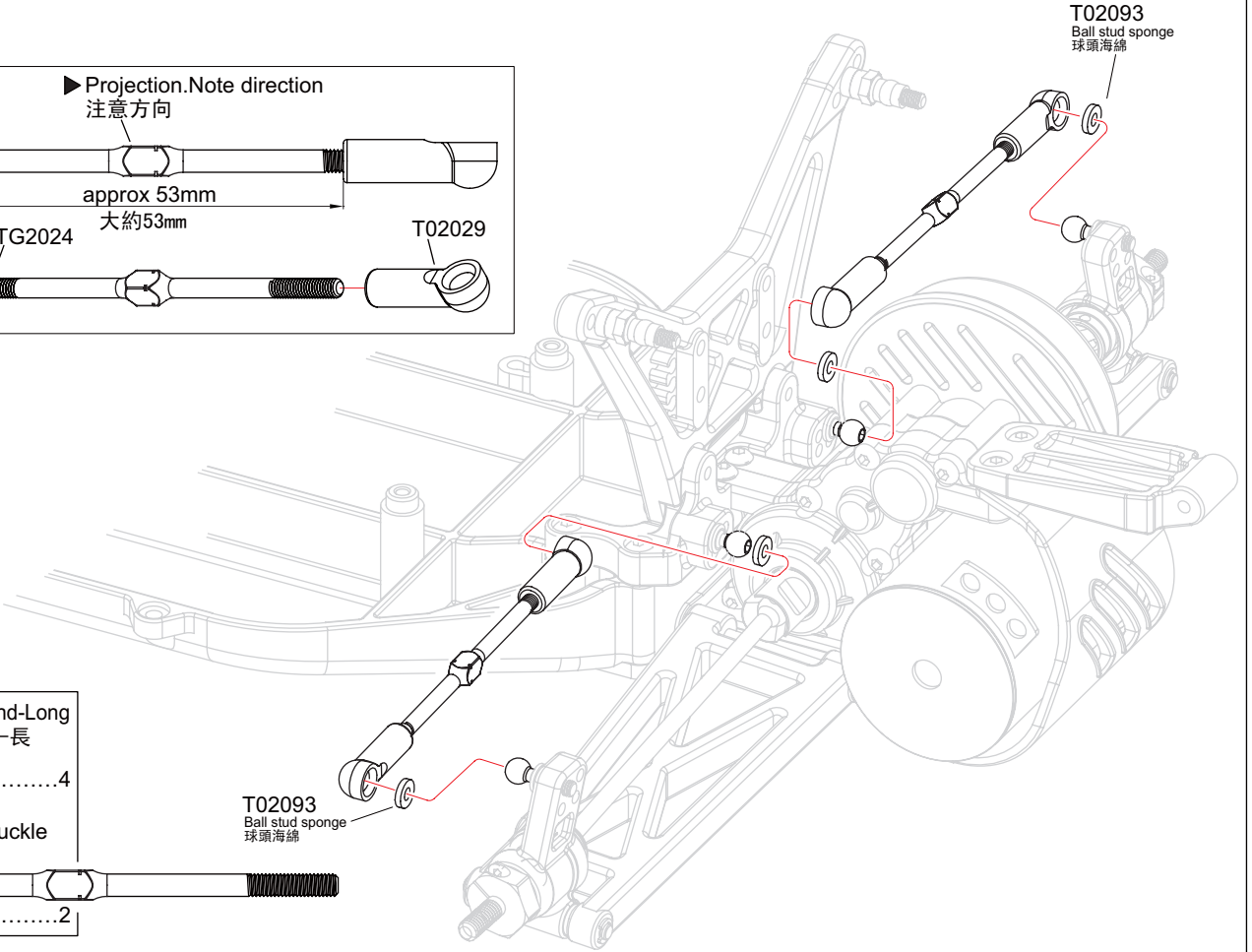
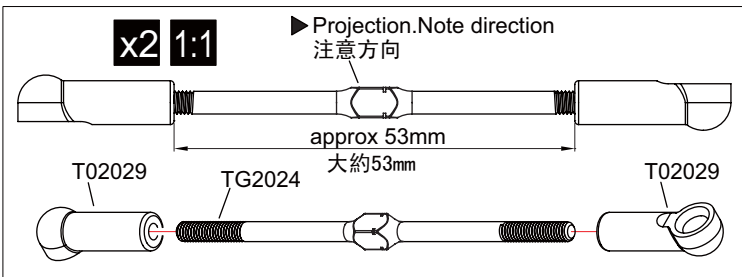
**25** Rear Suspension  
後懸吊系統



- |   |   |                                       |
|---|---|---------------------------------------|
| T02013 3.1x6x1 Plastic Washer<br>3.1x6x1 塑膠墊片<br>.....4 | T02057 3x30.5 Hinge pin Rear outer<br>3x30.5 後擺臂軸-外<br>.....2 | T02057 2.3 E-ring<br>2.3 E扣<br>.....4 |
|---|---|---------------------------------------|



**26** Rear Suspension  
後懸吊系統

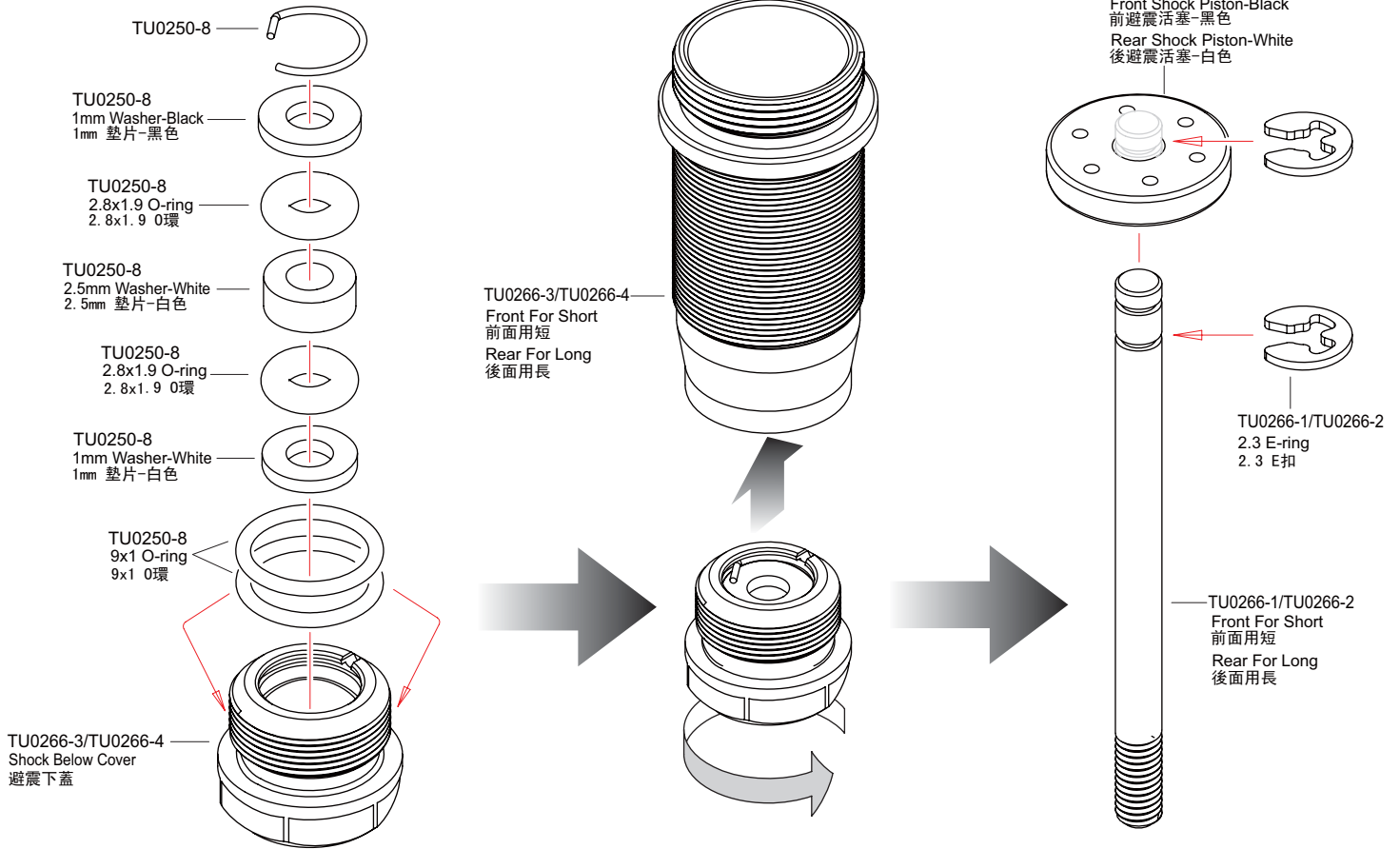


- |   |
|---|
| T02029 4.8mm Ball End-Long<br>4.8mm 球頭座-長<br>.....4 |
| TG2024 3x72 Turnbuckle<br>3x72 拉桿<br>.....2         |

T02093  
Ball stud sponge  
球頭海綿

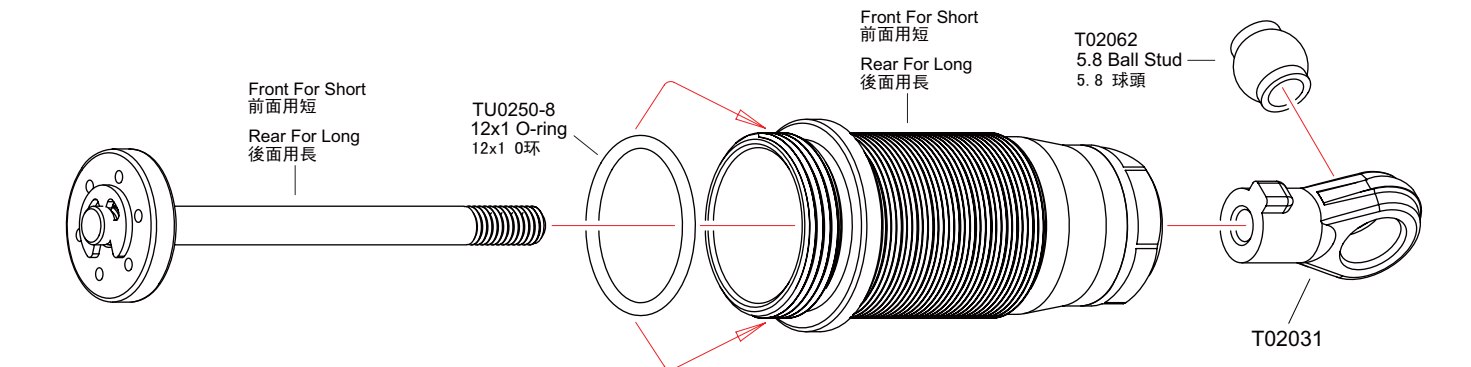
LR Assemble Both Left And Right  
組裝左和右

**27** Shock Absorber  
避震器



TU0250-8 2.8x1.9 O-ring 2.8x1.9 O環 .....8	TU0250-8 1mm Washer-White 1mm 墊片-白色 .....4	TU0250-8 2.5mm Washer-White 2.5mm 墊片-白色 .....4	TU0266-1/TU0266-2 2.3 E-ring 2.3 E扣 .....8
TU0250-7 Front Shock Piston-Black 前避震活塞-黑色 .....2	TU0250-7 Rear Shock Piston-White 後避震活塞-白色 .....2	TU0250-8 Spring 彈簧扣 .....4	TU0250-8 1mm Washer-Black 1mm 墊片-黑色 .....4
		TU0250-8 9x1 O-ring 9x1 O環 .....8	

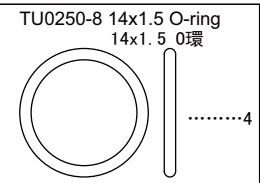
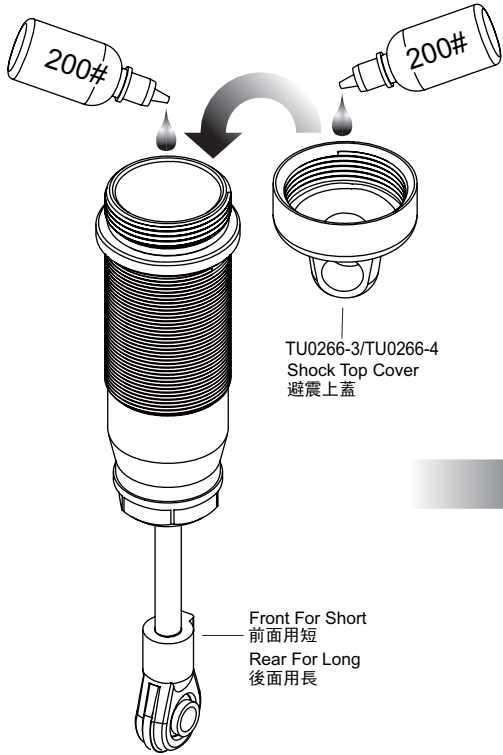
**28** Shock Absorber  
避震器



TU0250-8 12x1 O-ring 12x1 O環 .....4	T02062 5.8 Ball Stud 5.8 球頭 .....4
---	--



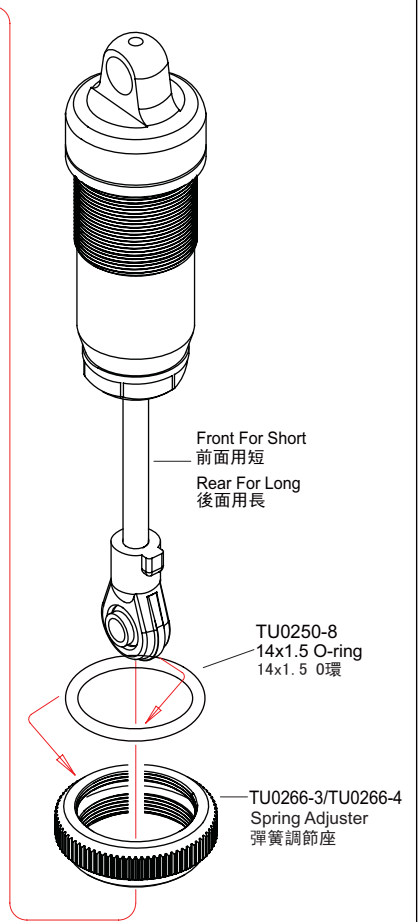
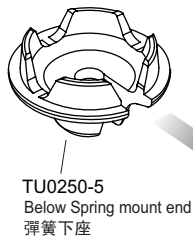
**29** Shock Absorber  
避震器



TU0266-5/TU0266-6  
Top Spring  
上彈簧

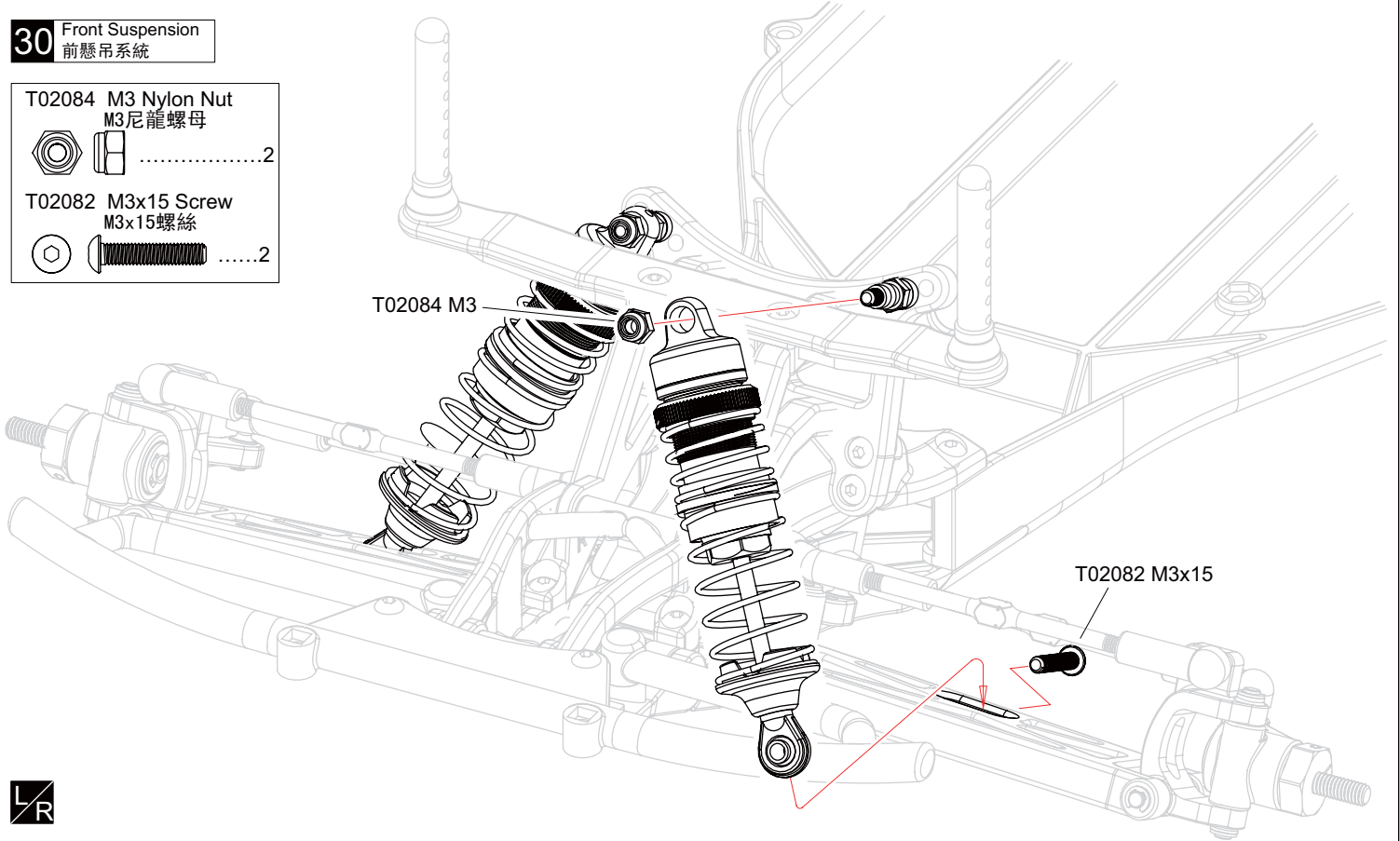
TU0266-5/TU0266-6  
Spring Switching  
彈簧轉接座

TU0266-5/TU0266-6  
Front Lower Spring-Short  
前下彈簧-短  
Rear Lower Spring-Long  
後下彈簧-長



**30** Front Suspension  
前懸吊系統

- T02084 M3 Nylon Nut  
M3尼龍螺母
- T02082 M3x15 Screw  
M3x15螺絲

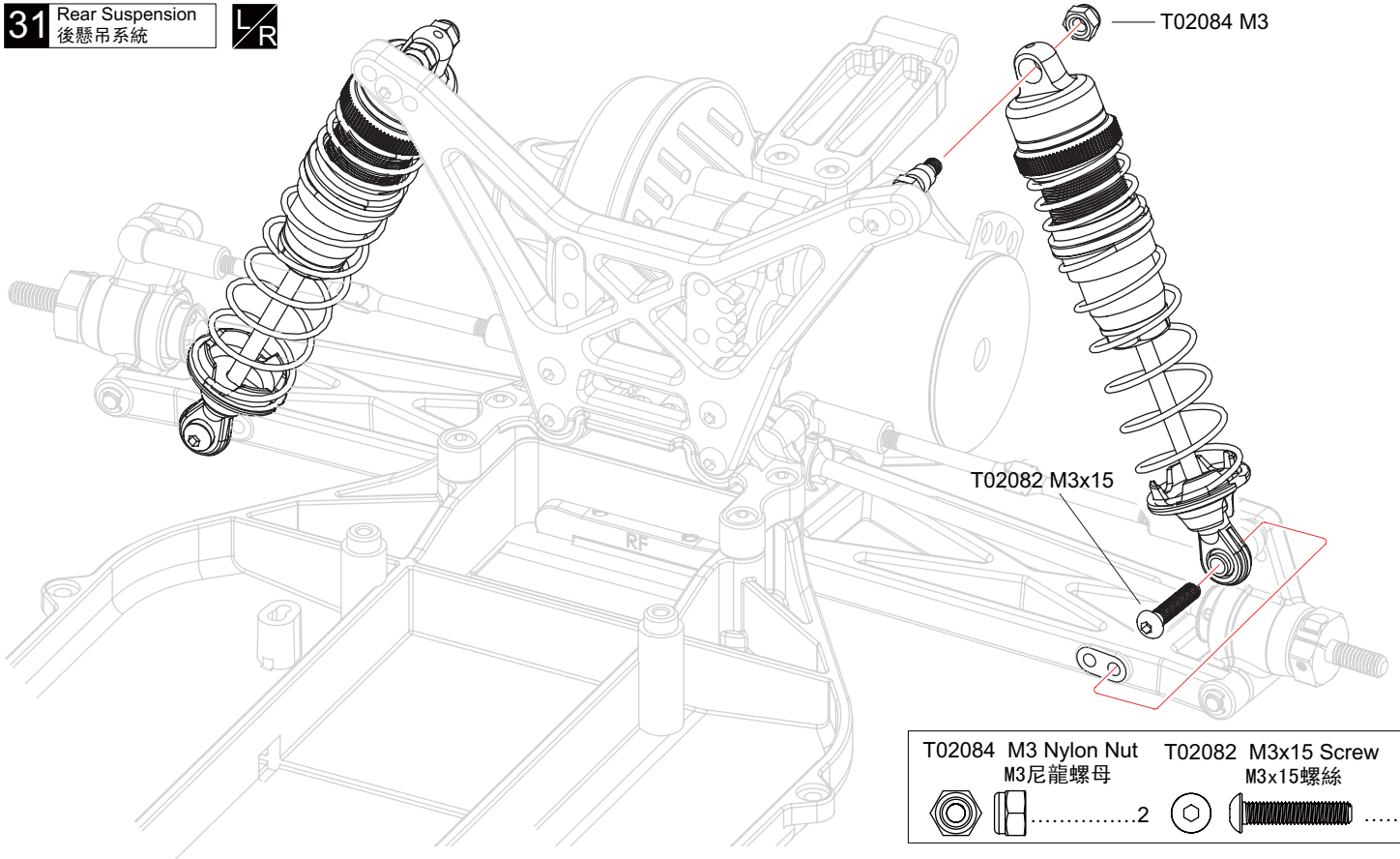


**x2** Assemble as many times as specified  
需組裝次數

**FR** Assemble front and rear sides the same way  
前後裝法相同

**LR** Assemble Both Left And Right  
組裝左和右

**31** Rear Suspension  
後懸吊系統



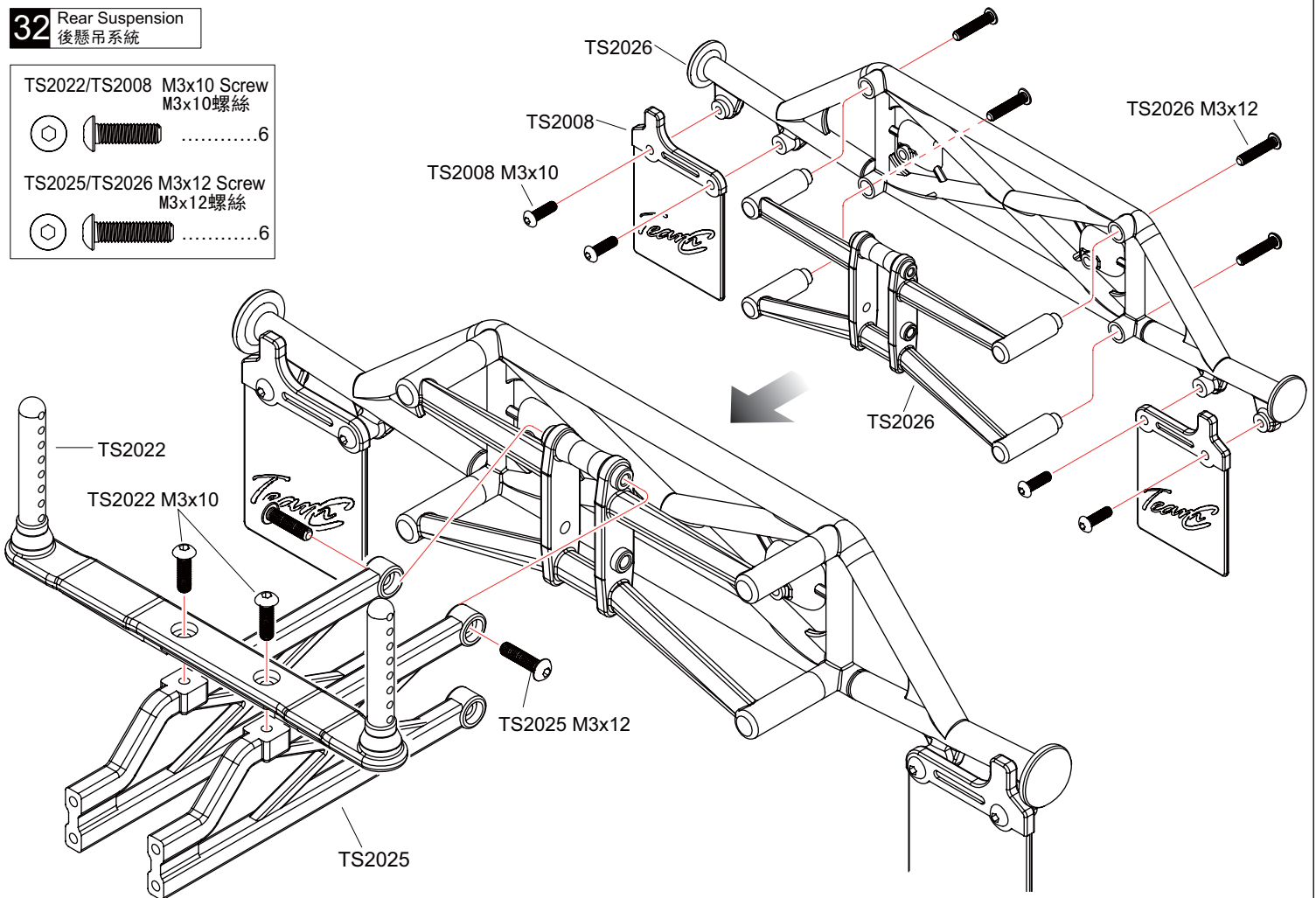
- |                               |                               |
|-------------------------------|-------------------------------|
| T02084 M3 Nylon Nut<br>M3尼龍螺母 | T02082 M3x15 Screw<br>M3x15螺絲 |
| .....                         | .....                         |
| 2                             | 2                             |

**32** Rear Suspension  
後懸吊系統

TS2022/TS2008 M3x10 Screw  
M3x10螺絲

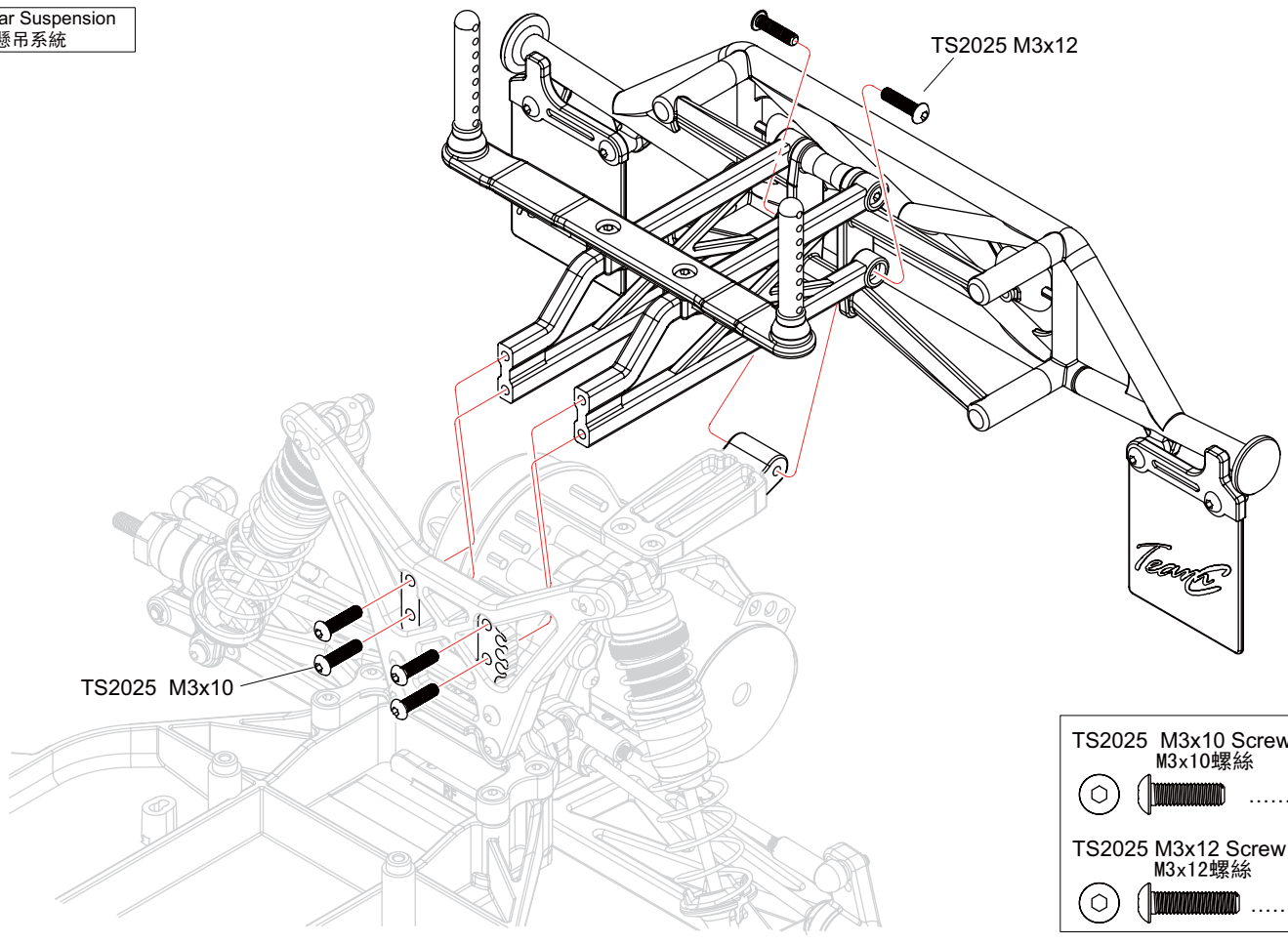


TS2025/TS2026 M3x12 Screw  
M3x12螺絲



Assemble Both Left And Right  
組裝左和右

**33** Rear Suspension  
後懸吊系統



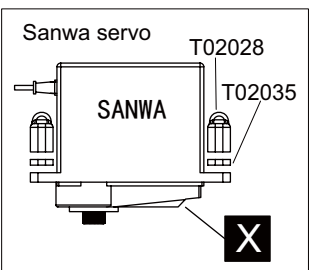
- TS2025 M3x10 Screw  
M3x10螺絲 ..... 4
- TS2025 M3x12 Screw  
M3x12螺絲 ..... 2

**34** Steering Servo  
轉向伺服系統

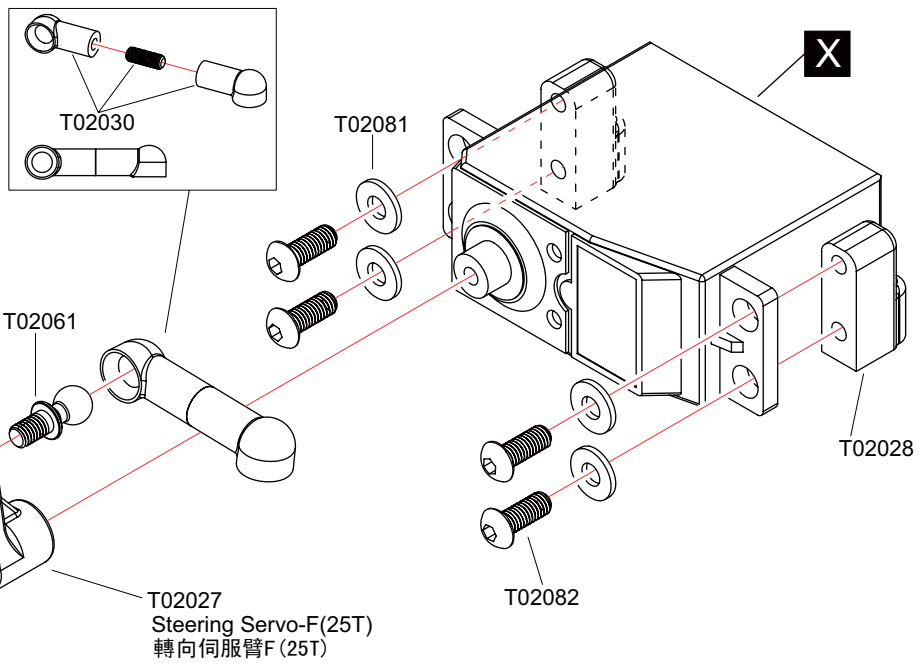
Select for your servo  
根據伺服器選擇



Steering Servo-F(25T)    Steering Servo-H(24T)    Steering Servo-S(23T)  
轉向伺服臂F(25T)    轉向伺服臂H(24T)    轉向伺服臂S(23T)



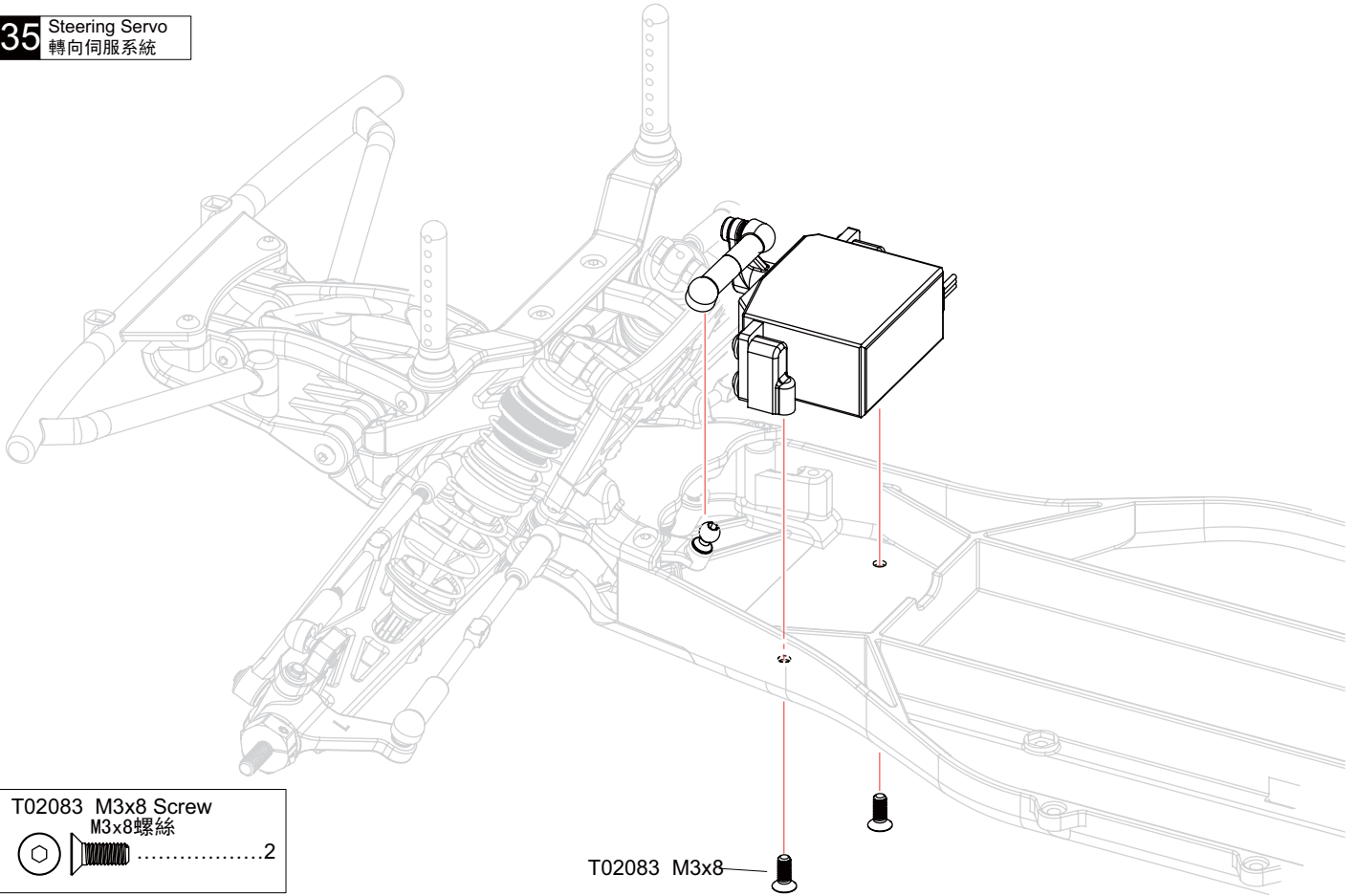
- T02035 1.5 Servo spacer  
1.5伺服機座墊片 ..... 2



- T02030 4.8 Ball End-Short  
4.8球頭座-短 ..... 2
- T02030 M3x10 Screw  
M3x10螺絲 ..... 1
- T02081 3x7x0.8 Washer  
3x7x0.8墊片 ..... 4
- T02082 M3x8 Screw  
M3x8螺絲 ..... 4
- T02061 Ball stud - silvery  
球頭-銀色 ..... 1
- T02082 M2.6x8 Screw  
M2.6x8螺絲 ..... 1

**X** Must be purchased separately  
另購物品

**35** Steering Servo  
轉向伺服系統



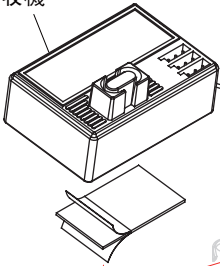
T02083 M3x8 Screw  
M3x8螺絲 .....2

T02083 M3x8

**36** Receiver / Electronic speed controller  
接收機/電子變速器

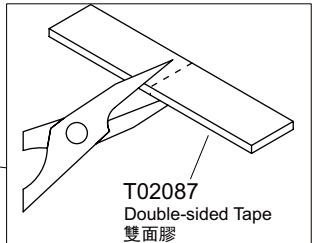
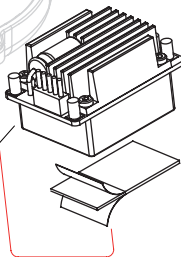
TS2020 M3x5 Screw  
M3x5螺絲 .....1

**X** Receiver  
接收機



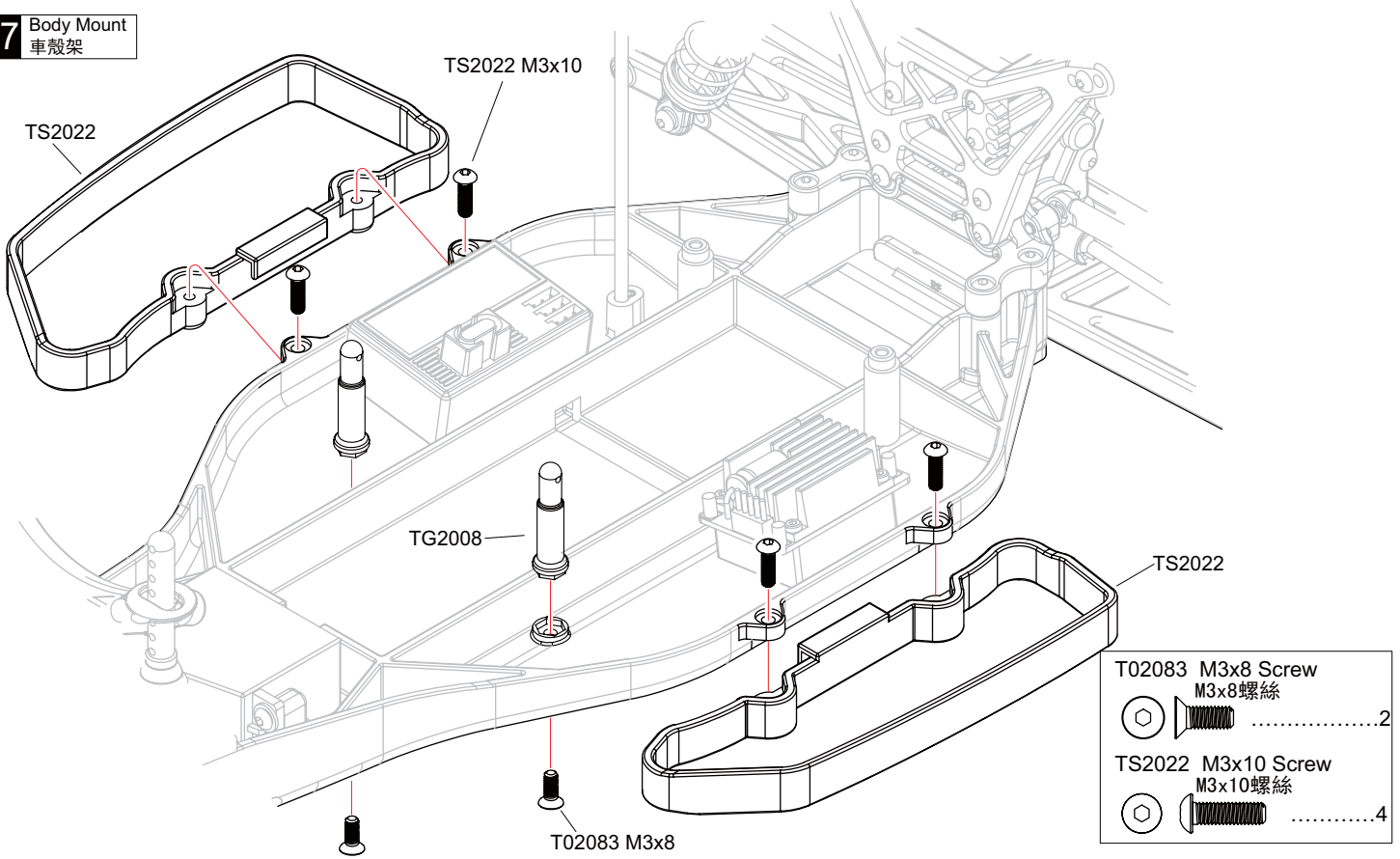
T02087  
TS2020

**X** Electronic speed controller  
電子變速器

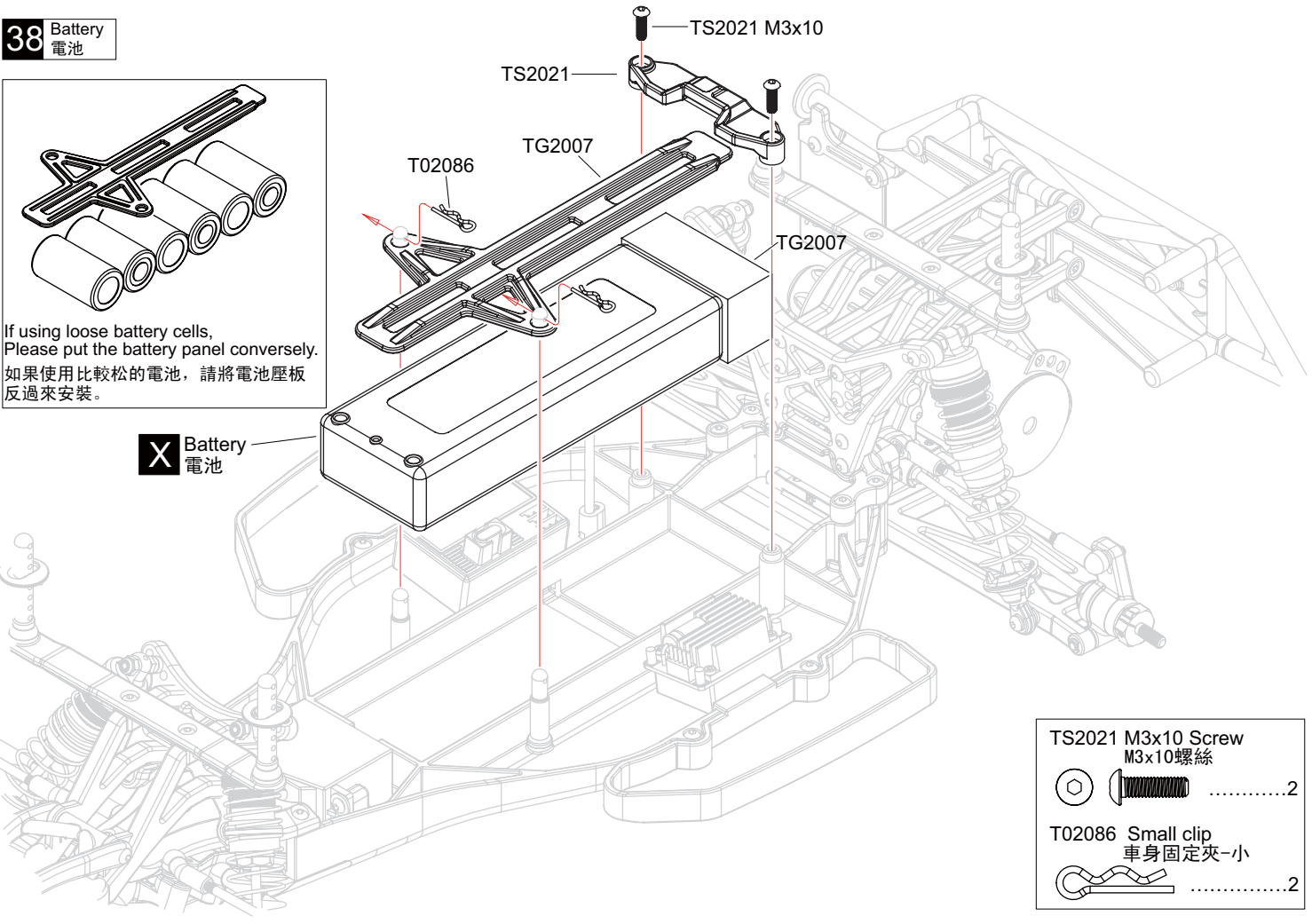
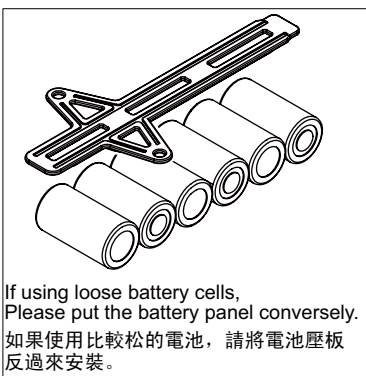


**X** Must be purchased separately  
另購物品

**37** Body Mount  
車殼架

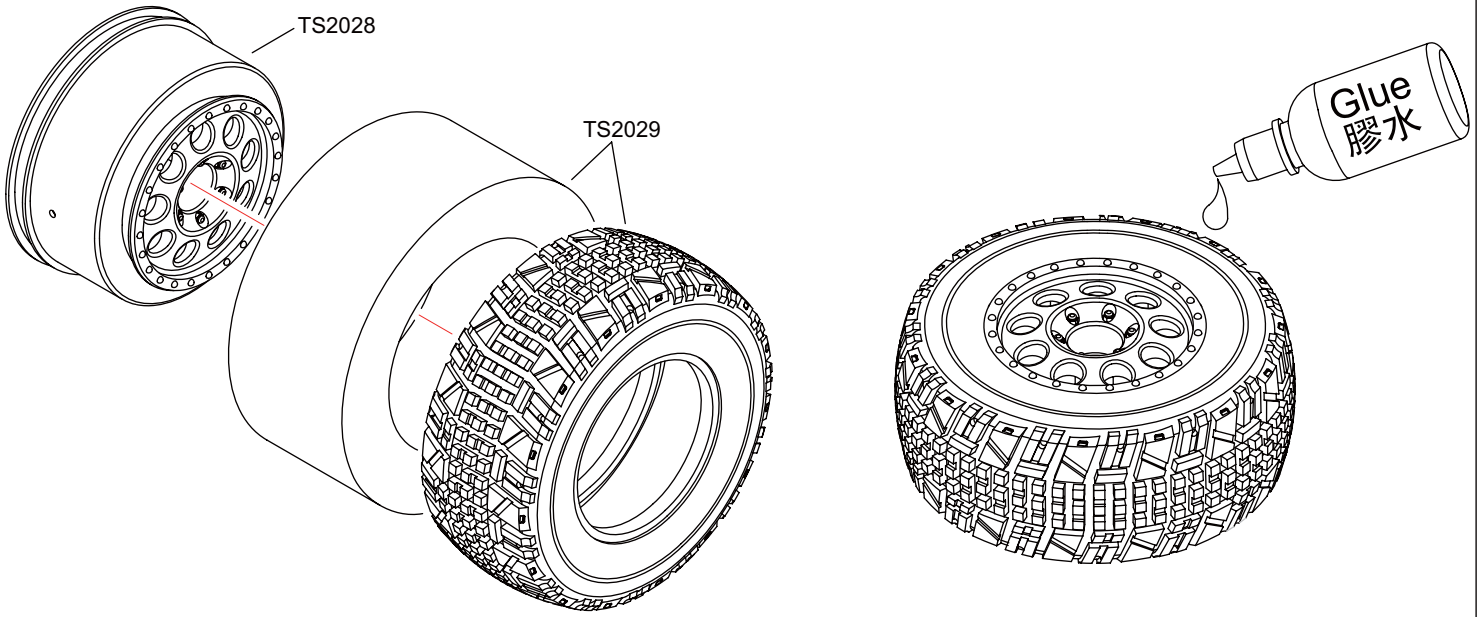


**38** Battery  
電池



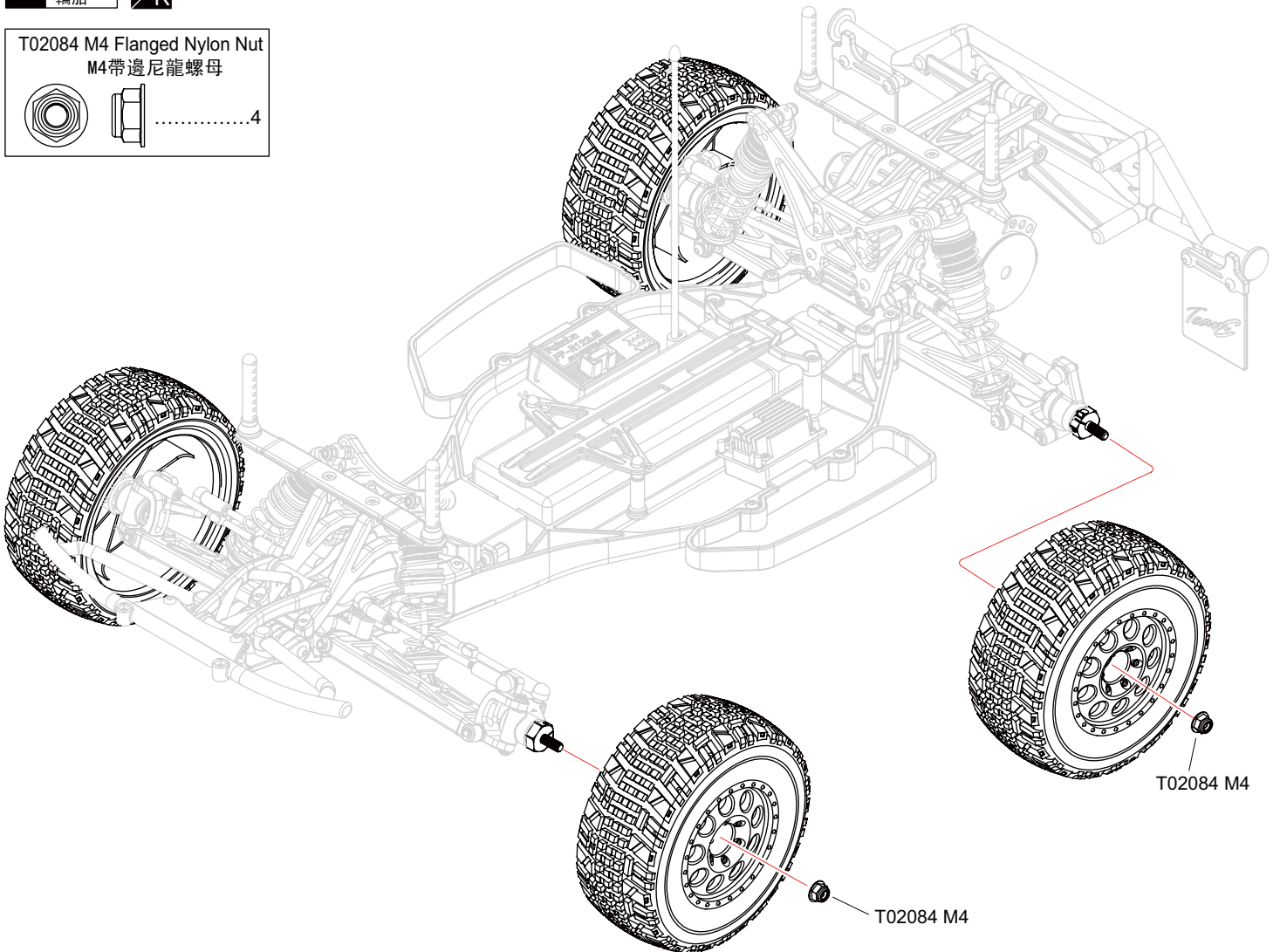
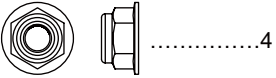
**X** Must be purchased separately  
另購物品

39 Tyre  
輪胎 x4



40 Tyre  
輪胎 L/R

T02084 M4 Flanged Nylon Nut  
M4帶邊尼龍螺母

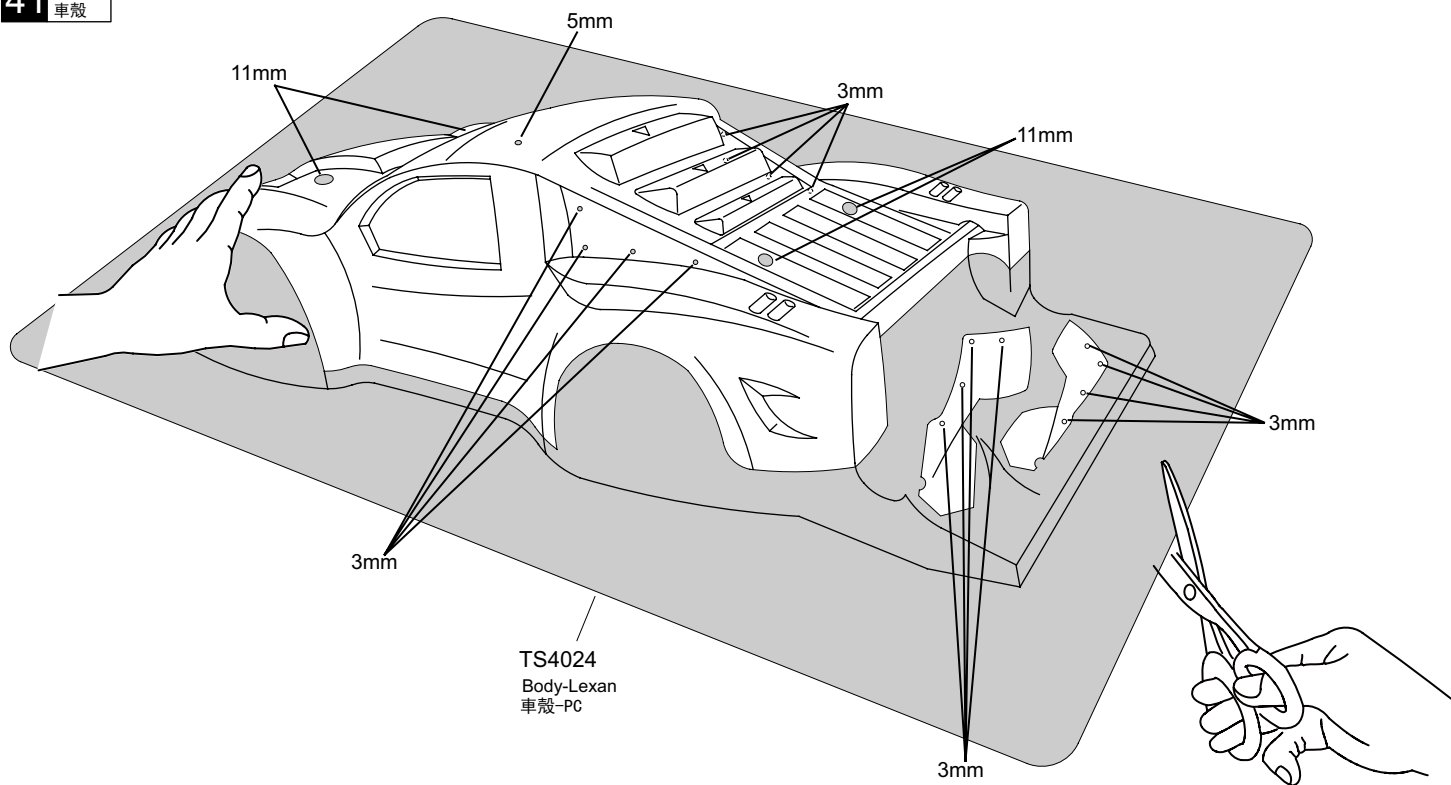


L/R Assemble Both Left And Right  
組裝左和右

x4 Assemble as many times as specified  
需組裝次數

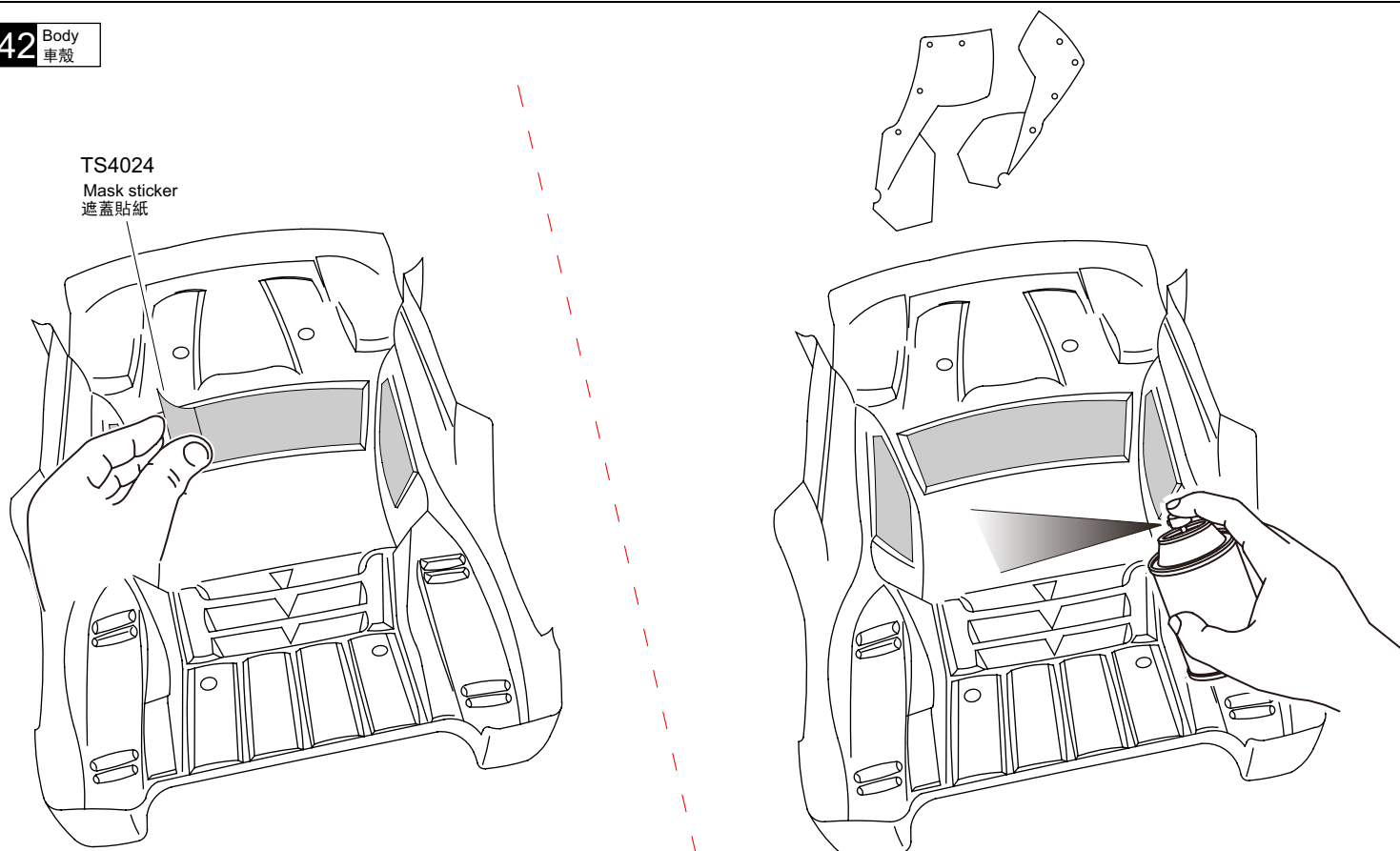
X Must be purchased separately  
另購物品

41 Body  
車殼



TS4024  
Body-Lexan  
車殼-PC

42 Body  
車殼

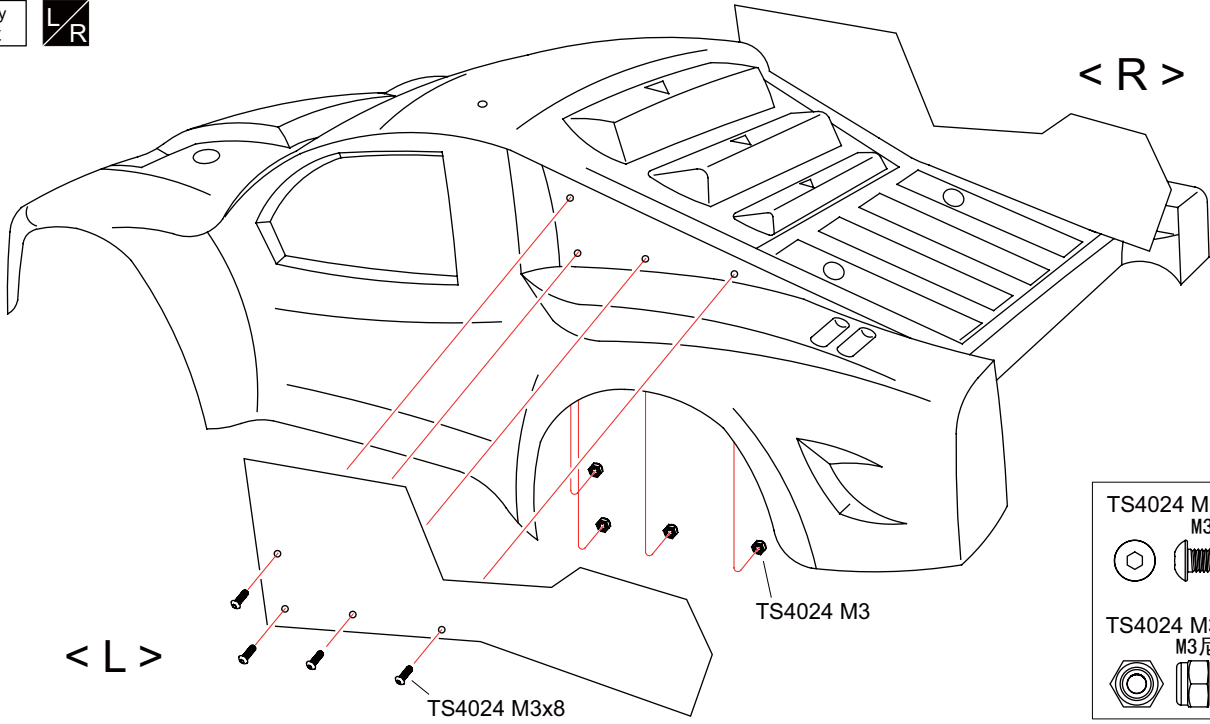


TS4024  
Mask sticker  
遮蓋貼紙

Mask the windows from the inside.  
在車窗內壁貼上遮蓋貼紙。

Paint the body shell from the inside  
using spray colors.  
在車殼內壁噴漆。

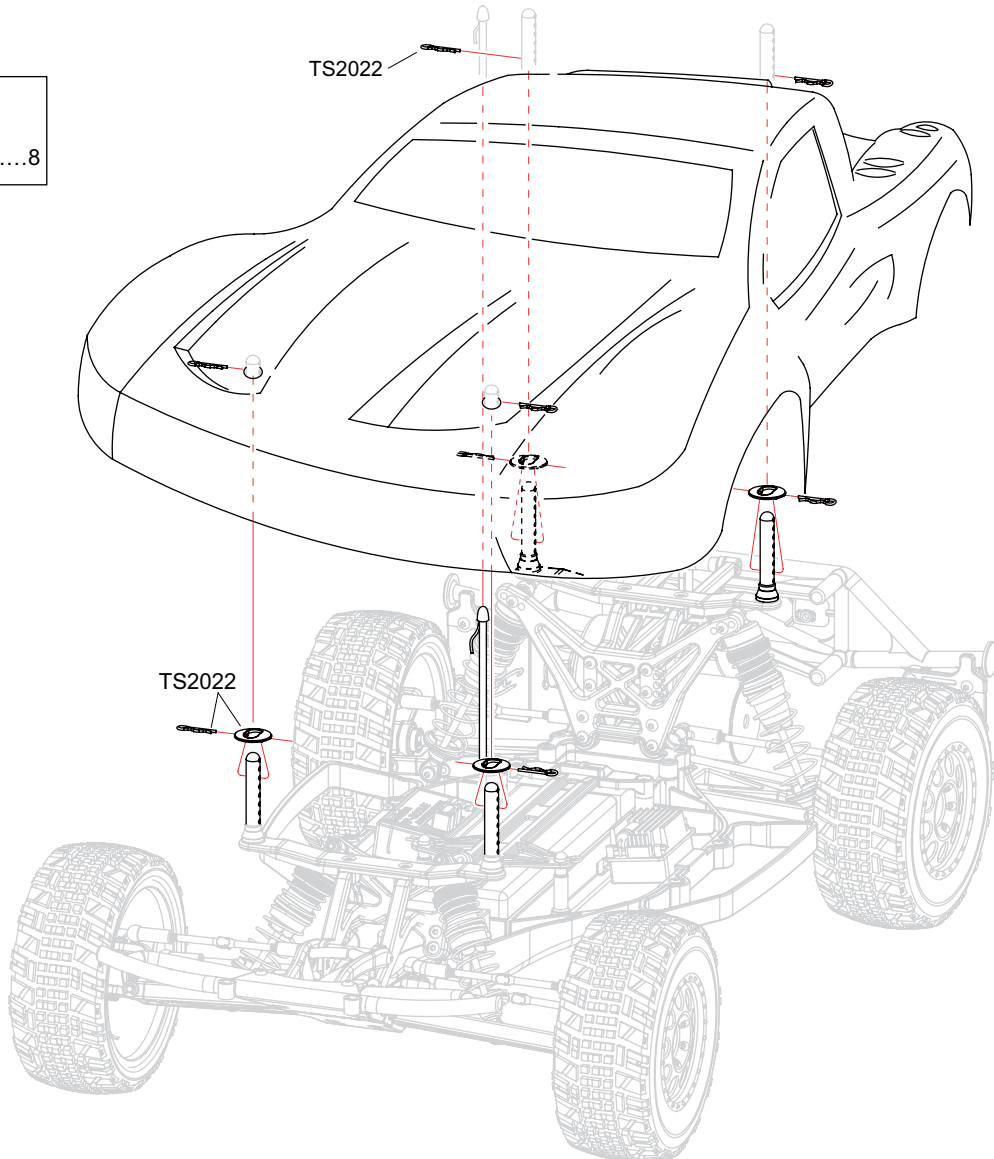
43 Body  
車殼



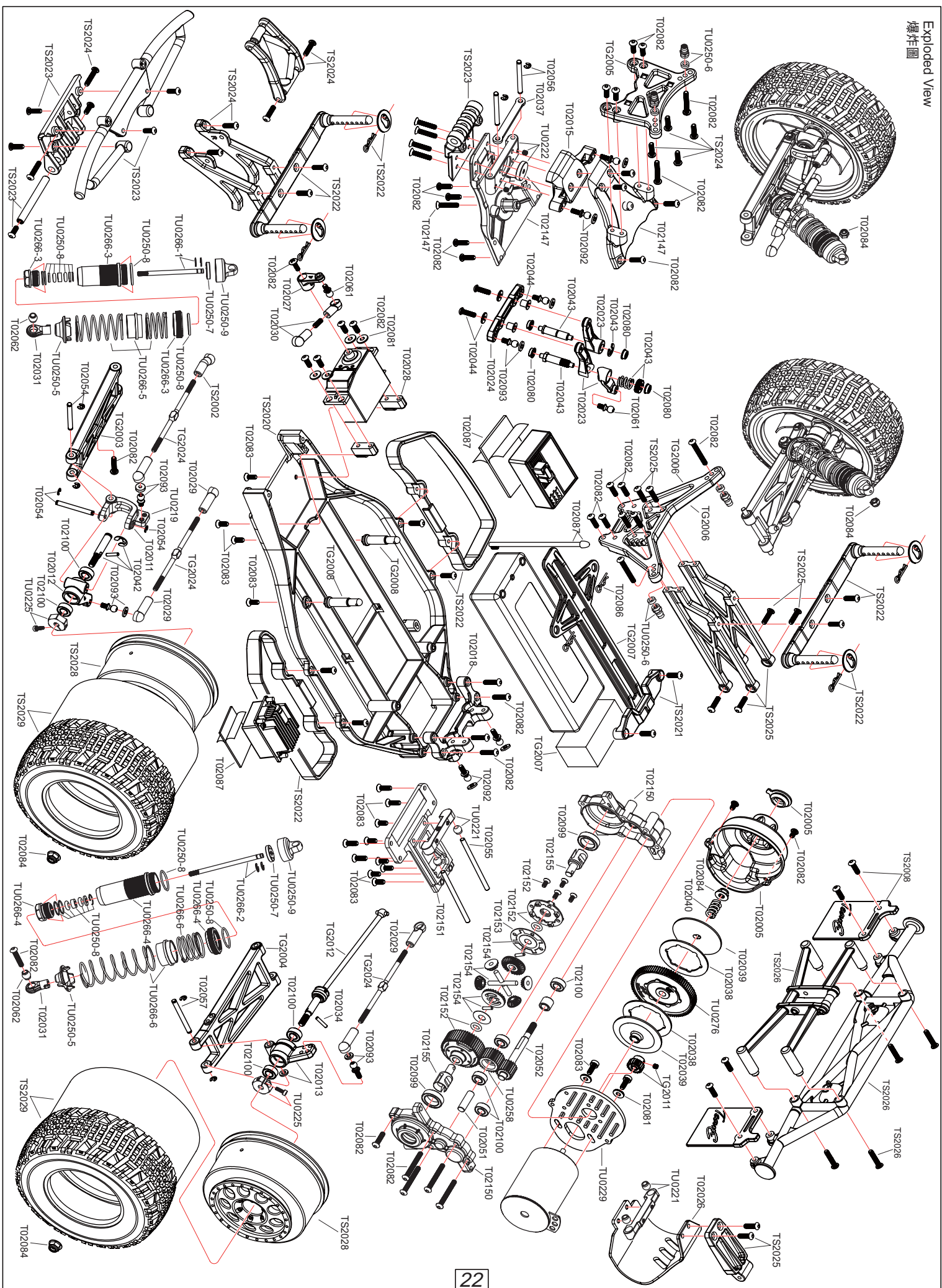
- |                               |  |        |
|-------------------------------|--|--------|
| TS4024 M3x8 Screw<br>M3x8螺絲   |  | .....8 |
| TS4024 M3 Nylon Nut<br>M3尼龍螺母 |  | .....8 |

44 Body  
車殼

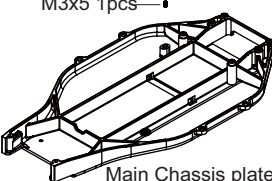
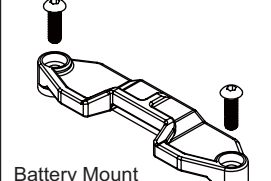
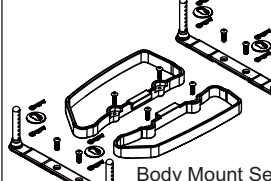
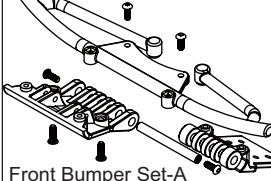
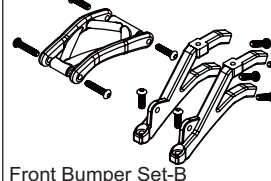
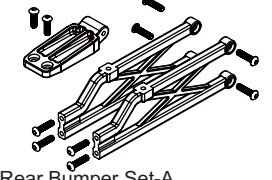
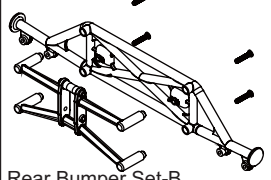
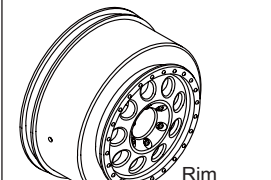
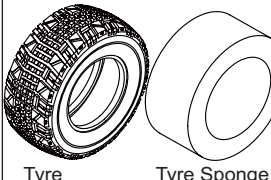
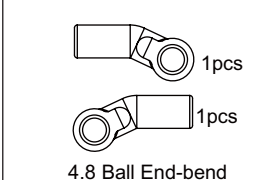
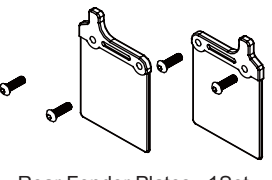
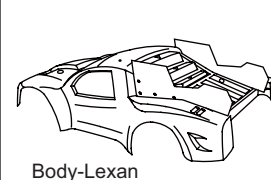
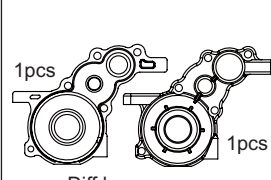

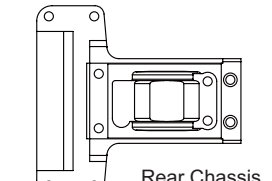
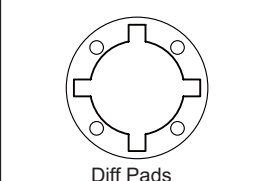
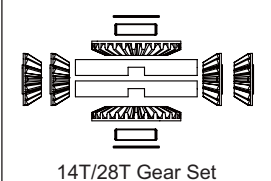

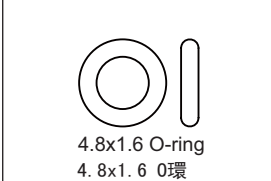





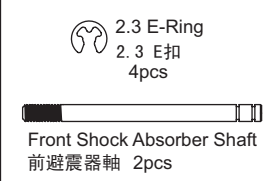

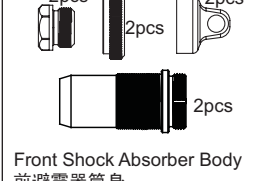

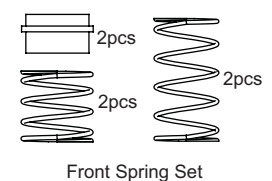
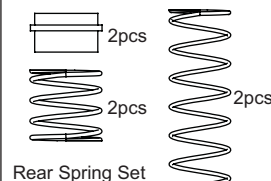

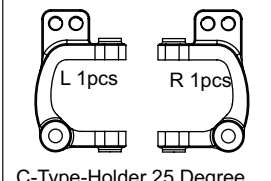
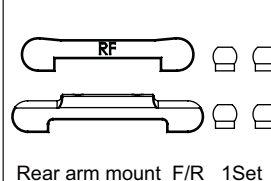
- |                              |  |        |
|------------------------------|--|--------|
| TS2022 Small clip<br>車身固定夾-小 |  | .....8 |
|------------------------------|--|--------|







# Parts list for TS2TE Short-Course-1 TS2TE短途卡車配件包-1

<p><b>TS2020</b></p> <p>M3x5 1pcs</p>  <p>Main Chassis plate 主底盤 1pcs</p>	<p><b>TS2021</b></p>  <p>Battery Mount 電池固定架 1 Set</p>	<p><b>TS2022</b></p>  <p>Body Mount Set 車殼固定架組</p>	<p><b>TS2023</b></p>  <p>Front Bumper Set-A 前防撞組-A</p>	<p><b>TS2024</b></p>  <p>Front Bumper Set-B 前防撞組-B</p>
<p><b>TS2025</b></p>  <p>Rear Bumper Set-A 後防撞組-A</p>	<p><b>TS2026</b></p>  <p>Rear Bumper Set-B 後防撞組-B</p>	<p><b>TS2028</b></p>  <p>Rim 輪框 2pcs</p>	<p><b>TS2029</b></p>  <p>Tyre 輪胎 2pcs</p> <p>Tyre Sponge 輪胎海綿 2pcs</p>	<p><b>TS2002</b></p>  <p>4.8 Ball End-bend 4.8球頭座-彎</p>
<p><b>TS2008</b></p>  <p>Rear Fender Plates 1Set 後擋泥板組</p>	<p><b>TS4024</b></p>  <p>Body-Lexan 車殼-PC 1pcs</p>	<p><b>T02150</b></p>  <p>Diff box 差速箱</p>	<p><b>T02152</b></p>  <p>52T Diff Gear Cover 52T差速齒輪蓋 1pcs</p> <p>52T Diff Gear 52T差速齒輪 1pcs</p> <p>4pcs M2.5x6 Screw M2.5x6螺絲</p> <p>2pcs 4.8x1.6 O-ring 4.8x1.6 O環</p>	
<p><b>T02151</b></p>  <p>Rear Chassis 後底盤 1pcs</p>	<p><b>T02153</b></p>  <p>Diff Pads 差速墊片 1pcs</p>	<p><b>T02154</b></p>  <p>14T/28T Gear Set 14T/28T齒輪組</p>	<p><b>T02155</b></p>  <p>Diff Connecting Cup 差速接杯 2pcs</p>	<p><b>T02156</b></p>  <p>4.8x1.6 O-ring 4.8x1.6 O環 4pcs</p>
<p><b>TU0250-5</b></p>  <p>Below Spring mount end 彈簧下座 4pcs</p>	<p><b>TU0250-6</b></p>  <p>3.1x5.5x2.0 Aluminium Washer 3.1x5.5x2.0鋁墊片 4pcs</p> <p>Shock cap ball 避震蓋球頭 4pcs</p>	<p><b>TU0250-7</b></p>  <p>Front Piston-Black 前活塞-黑色 2pcs</p> <p>Rear Piston-White 後活塞-白色 2pcs</p>	<p><b>TU0250-8</b></p>  <p>1mm Washer-White 1mm壓墊-白色 4pcs</p> <p>1mm Washer-Black 1mm壓墊-黑色 4pcs</p> <p>2.5mm Washer 2.5mm壓墊 4pcs</p> <p>Spring 彈簧 4pcs</p> <p>2.8x1.9 O-Ring 2.8x1.9 O環</p> <p>9x1 O-Ring 9x1 O環 8pcs</p> <p>12x1 O-Ring 12x1 O環 4pcs</p> <p>14x1.5 O-Ring 14x1.5 O環 4pcs</p>	
<p><b>TU0250-9</b></p>  <p>Shock Absorber Cover 避震器蓋 4pcs</p>	<p><b>TU0266-1</b></p>  <p>2.3 E-Ring 2.3 E扣 4pcs</p> <p>Front Shock Absorber Shaft 前避震器軸 2pcs</p>	<p><b>TU0266-2</b></p>  <p>2.3 E-Ring 2.3 E扣 4pcs</p> <p>Rear Shock Absorber Shaft 後避震器軸 2pcs</p>	<p><b>TU0266-3</b></p>  <p>2pcs 2pcs 2pcs</p> <p>2pcs</p> <p>Front Shock Absorber Body 前避震器筒身</p>	<p><b>TU0266-4</b></p>  <p>2pcs 2pcs 2pcs</p> <p>2pcs</p> <p>Rear Shock Absorber Body 後避震器筒身</p>
<p><b>TU0266-5</b></p>  <p>Front Spring Set 前彈簧組</p>	<p><b>TU0266-6</b></p>  <p>Rear Spring Set 後彈簧組</p>	<p><b>H314</b></p>  <p>3.1x5.5x2.0 Aluminium Washer 3.1x5.5x2.0鋁墊片</p>	<p><b>TU0219</b></p>  <p>L 1pcs R 1pcs</p> <p>C-Type-Holder 25 Degree 25° C型座</p>	<p><b>Tu0221</b></p>  <p>Rear arm mount F/R 1Set 後擺臂固定座 前/後</p>

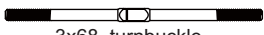
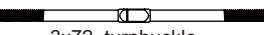
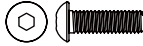


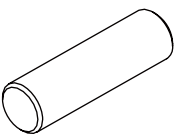


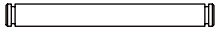
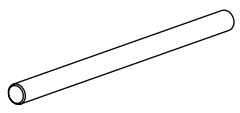

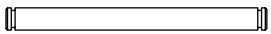

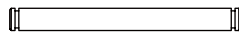
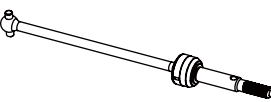

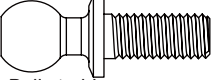
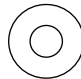
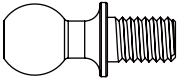

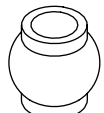

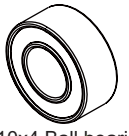

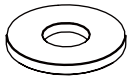

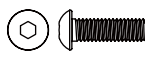

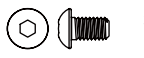
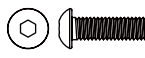











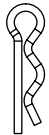
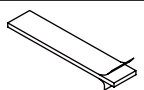


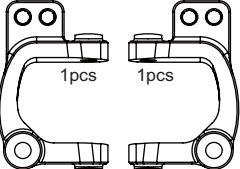
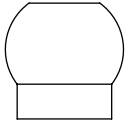
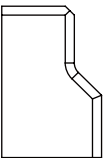
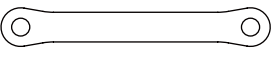
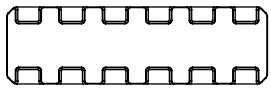
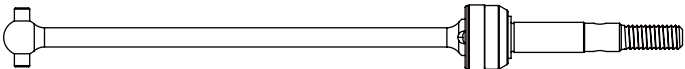



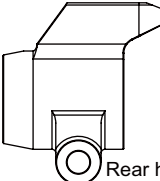
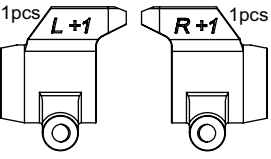
# Parts list for TS2TE Short-Course-2

# TS2TE短途卡車配件包-2

<p><b>TU0222</b></p>  <p>M3x3 Front arm mount 1Set 前擺臂固定座</p>	<p><b>TU0225</b></p>  <p>M2x5 4pcs Hex mount 六角座 4pcs 5.1x8x0.2 Washer 墊片 4pcs</p>	<p><b>TU0229</b></p>  <p>1pcs Motor mount 馬達固定座</p>	<p><b>TU0258</b></p>  <p>28T Spur Gear- Aluminum 28T減速齒-鋁 1pcs</p>	<p><b>TU0276</b></p>  <p>1pcs 86T Kevlar Gear 86T凱夫拉齒輪</p>
<p><b>T02147</b></p>  <p>Front brace mount 前支撐座 1pcs M3x25 1pcs Front chassis plate 前底盤 1pcs</p>	<p><b>T02005</b></p>  <p>Gear Cover Button 齒輪蓋塞 1pcs Gear Cover 齒輪蓋 1pcs</p>	<p><b>T02012</b></p>  <p>Steering block-L 轉向臂-L 1pcs Steering block-R 轉向臂-R 1pcs</p>	<p><b>T02013</b></p>  <p>3.1x6x1 Plastic Washer 塑膠墊片 4pcs 1pcs Rear hub carriers 後輪座 1pcs</p>	<p><b>T02015</b></p>  <p>Front upper suspension arm mount 前上擺臂座 1pcs</p>
<p><b>TG2003</b></p>  <p>Front lower arms 前下擺臂 2pcs</p>	<p><b>TG2004</b></p>  <p>Rear lower arms 後下擺臂 2pcs</p>	<p><b>T02018</b></p>  <p>Rear brace mount 後支撐座 1pcs</p>	<p><b>TG2005</b></p>  <p>Front shock tower 前避震支架 1pcs</p>	<p><b>TG2006</b></p>  <p>Rear shock tower 後避震支架 1pcs</p>
<p><b>TG2007</b></p>  <p>Sponge 海綿 1pcs Battery plate 電池壓板 1pcs</p>	<p><b>T02023</b></p>  <p>Servo saver upper 緩衝臂上 1pcs Servo saver lower 緩衝臂下 1pcs Servo saver - L 緩衝臂左 1pcs</p>	<p><b>T02024</b></p>  <p>Steering Rack 緩衝連接片 1pcs</p>	<p><b>TG2008</b></p>  <p>Battery column 電池扣支柱 2pcs 2pcs Wing bracket 尾翼架 Wing angle shim 尾翼調整片 2pcs</p>	<p><b>T02030</b></p>  <p>Front body mount 前車殼柱 2pcs</p>
<p><b>T02026</b></p>  <p>Front bumper 前防撞板 1pcs Motor guard 馬達罩 1pcs</p>	<p><b>T02027</b></p>  <p>Steering servo horn-F 轉向伺服臂F 1pcs Steering servo horn-H 轉向伺服臂H 1pcs Steering servo horn-S 轉向伺服臂S 1pcs</p>	<p><b>T02028</b></p>  <p>Servo plate 伺服機座 2pcs</p>	<p><b>T02029</b></p>  <p>4.8 Ball End - Long 球頭座-長 6pcs</p>	<p><b>T02030</b></p>  <p>4.8 Ball End-Short 球頭座-短 2pcs 3x10 Screw 螺絲 1pcs</p>
<p><b>T02031</b></p>  <p>Upper cover nylon cap 上蓋尼龍帽 2pcs Below Spring mount end 彈簧下座 2pcs 5.8 Ball End 球頭座 2pcs</p>	<p><b>T02035</b></p>  <p>1.0 Servo spacer 伺服機座墊片 2pcs 1.5 Servo spacer 伺服機座墊片 2pcs</p>	<p><b>T02037</b></p>  <p>Front hinge pin barce 前擺臂固定片 1pcs</p>	<p><b>T02038</b></p>  <p>Slipper pad 扭限摩擦片 2pcs</p>	<p><b>T02039</b></p>  <p>Slipper hub 扭限座 2pcs</p>
<p><b>T02040</b></p>  <p>Slipper Spring 扭限彈簧 1pcs</p>	<p><b>T02041</b></p>  <p>5x8x6.7 Top shaft spacer 襯套 1pcs</p>	<p><b>T02042</b></p>  <p>4.0 E-ring E扣 2pcs 2x9.8 Pin 鋼針 2pcs Front wheel axle 前輪軸 2pcs</p>	<p><b>T02043</b></p>  <p>1pcs Buffer Nut 緩衝調節螺帽 1pcs 4.0 E-ring E扣 1pcs Buffer column-A 轉向緩衝器支柱A Buffer Spring 緩衝彈簧 1pcs Buffer column-B 轉向緩衝器支柱B 1pcs</p>	

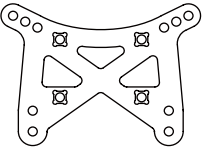
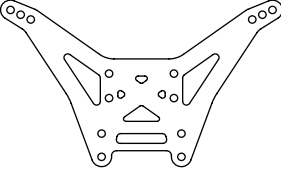
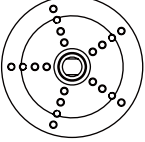
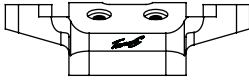
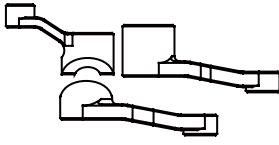





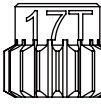











# Parts list for TS2TE Short-Course-3

# TS2TE短途卡車配件包-3

<p><b>TG2024</b></p>  <p>3x68 turnbuckle 拉桿 4pcs</p>  <p>3x72 turnbuckle 拉桿 2pcs</p>	<p><b>T02044</b></p>  <p>3x10 Screw 螺絲 2pcs</p>  <p>Block Carrier 緩衝鋼套 2pcs</p>  <p>3x7x0.8 Washer 墊片 2pcs</p>	<p><b>T02051</b></p>  <p>idler gear shaft 減速齒輪軸 1pcs</p>	<p><b>T02052</b></p>  <p>Gear 20T 入力齒 1pcs</p>	<p><b>T02054</b></p>  <p>2.3 E-ring E扣 4pcs</p>  <p>3x27.5 Hinge pin front outer 前擺臂銷-外 2pcs</p>
<p><b>T02055</b></p>  <p>3x48 Hinge pin Rear inner 後擺臂銷-內 2pcs</p>	<p><b>T02056</b></p>  <p>2.3 E-ring E扣 4pcs</p>  <p>3x34.5 Hinge pin front inner 前擺臂銷-內 2pcs</p>	<p><b>T02057</b></p>  <p>2.3 E-ring E扣 4pcs</p>  <p>3x30.5 Hinge pin Rear outer 後擺臂銷-外 2pcs</p>	<p><b>TG2012</b></p>  <p>Rear CVD 後CVD萬向傳動軸 2pcs</p>	<p><b>T02092</b></p>  <p>Ball stud sponge 球頭海綿 2pcs</p>  <p>Ball stud-Long 球頭-長 2pcs</p>
<p><b>T02093</b></p>  <p>Ball stud sponge 球頭海綿 5pcs</p>  <p>Ball stud-Short 球頭-短 5pcs</p>	<p><b>T02061</b></p>  <p>Ball stud-Silvery 球頭-銀色 2pcs</p>	<p><b>T02062</b></p>  <p>5.8x6 Ball stud 球頭 4pcs</p>	<p><b>T02099</b></p>  <p>10x15x4 Ball bearing 軸承 6pcs</p>	<p><b>T02100</b></p>  <p>5x10x4 Ball bearing 軸承 6pcs</p>
<p><b>T02080</b></p>  <p>3x6x2.5 Ball Bearing 軸承 4pcs</p>	<p><b>T02081</b></p>  <p>3x7x0.8 Washer 墊片 10pcs</p>	<p><b>T02082</b></p>  <p>2.6x8 Screw 螺絲 8pcs</p>  <p>3x10 Screw 螺絲 8pcs</p>  <p>3x22 Screw 螺絲 8pcs</p>  <p>3x5 Screw 螺絲 8pcs</p>  <p>3x12 Screw 螺絲 8pcs</p>  <p>3x8 Screw 螺絲 8pcs</p>  <p>3x15 Screw 螺絲 8pcs</p>  <p>3x25 Screw 螺絲 8pcs</p>		
<p><b>T02083</b></p>  <p>3x8 Screw 螺絲 8pcs</p>  <p>3x15 Screw 螺絲 8pcs</p>  <p>3x10 Screw 螺絲 8pcs</p>  <p>3x8 Screw 螺絲 8pcs</p>	<p><b>T02084</b></p>  <p>M4 Flanged Nylon Nut 帶邊尼龍螺母 6pcs</p>  <p>M3 Nylon Nut 尼龍螺母 6pcs</p>	<p><b>T02085</b></p>  <p>2.3 E-ring E扣 8pcs</p>  <p>4.0 E-ring E扣 8pcs</p>	<p><b>T02086</b></p>  <p>Small clip 車身固定夾(小) 8pcs</p>	<p><b>T02087</b></p>  <p>Double-sided tape 雙面膠 1pcs</p>  <p>Antenna cover 天線帽 1pcs</p>  <p>Antenna pipe 天線管 1pcs</p>
<p><b>TU0220</b> <span style="float: right;">OP</span></p>  <p>1pcs 1pcs</p> <p>C-Type-Holder 30 Degree-Left/Right 30° C型座-左/右</p>	<p><b>TU0223</b> <span style="float: right;">OP</span></p>  <p>Rear arm mount -Ball 後擺臂固定座-球珠 8pcs</p>	<p><b>TU0224</b> <span style="float: right;">OP</span></p>  <p>Servo mount 伺服機固定座 2pcs</p>	<p><b>TU0226</b> <span style="float: right;">OP</span></p>  <p>Front hinge pin brace 前擺臂固定片 1pcs</p>	<p><b>TU0228</b> <span style="float: right;">OP</span></p>  <p>Brass battery tray 電池銅座 1pcs</p>
<p><b>TU0234</b> <span style="float: right;">OP</span></p>  <p>Truck CVD for ae rim 卡車-美式CVD 2pcs</p>  <p>1.6x11 Spring Pin 彈簧銷 2pcs</p>  <p>Aluminum Washer 鋁墊片 2pcs</p>  <p>5.1x8x0.2 Washer 墊片 4pcs</p>		<p><b>TU0236</b> <span style="float: right;">OP</span></p>  <p>Rear hub carriers 後輪座 2pcs</p>	<p><b>TU0237</b> <span style="float: right;">OP</span></p>  <p>1pcs L+1 1pcs R+1</p> <p>Rear Hub 1 Degree 後輪座1°</p>	

# Parts list for TS2TE Short-Course-4

# TS2TE短途卡車配件包-4

<p><b>TU0243</b> <span style="float: right;">OP</span></p>  <p>Carbon Front Shock Tower-Truck 碳纖前避震架-卡車 1pcs</p>	<p><b>TU0244</b> <span style="float: right;">OP</span></p>  <p>Carbon Rear Shock Tower-Truck 碳纖後避震架-卡車 1pcs</p>	<p><b>TU0216</b> <span style="float: right;">OP</span></p>  <p>Slipper Pad V2 扭限座 V2 2pcs</p>	<p><b>TU0248</b> <span style="float: right;">OP</span></p>  <p>Front Castle Block 前上擺臂座 1pcs</p>	<p><b>TU0218</b> <span style="float: right;">OP</span></p>  <p>Servo Saver-Aluminium 緩衝組-鋁</p>
<p><b>TC1002</b> <span style="float: right;">OP</span></p>  <p>Short Course Racing Tyre - Soft 短途卡車胎-軟</p>	<p><b>H475</b> <span style="float: right;">OP</span></p>   <p>Aluminium Motor Gear-15T 鋁合金馬達齒-15T 1pcs</p>	<p><b>H476</b> <span style="float: right;">OP</span></p>   <p>Aluminium Motor Gear-16T 鋁合金馬達齒-16T 1pcs</p>	<p><b>H477</b> <span style="float: right;">OP</span></p>   <p>Aluminium Motor Gear-17T 鋁合金馬達齒-17T 1pcs</p>	<p><b>H478</b> <span style="float: right;">OP</span></p>   <p>Aluminium Motor Gear-18T 鋁合金馬達齒-18T 1pcs</p>
<p><b>H479</b> <span style="float: right;">OP</span></p>   <p>Aluminium Motor Gear-19T 鋁合金馬達齒-19T 1pcs</p>	<p><b>H480</b> <span style="float: right;">OP</span></p>   <p>Aluminium Motor Gear-20T 鋁合金馬達齒-20T 1pcs</p>	<p><b>H481</b> <span style="float: right;">OP</span></p>   <p>Aluminium Motor Gear-21T 鋁合金馬達齒-21T 1pcs</p>	<p><b>H482</b> <span style="float: right;">OP</span></p>   <p>Aluminium Motor Gear-22T 鋁合金馬達齒-22T 1pcs</p>	

# TS2TE

SETUP SHEET for the TeamC TS2TE

Driver \_\_\_\_\_

Track / City \_\_\_\_\_

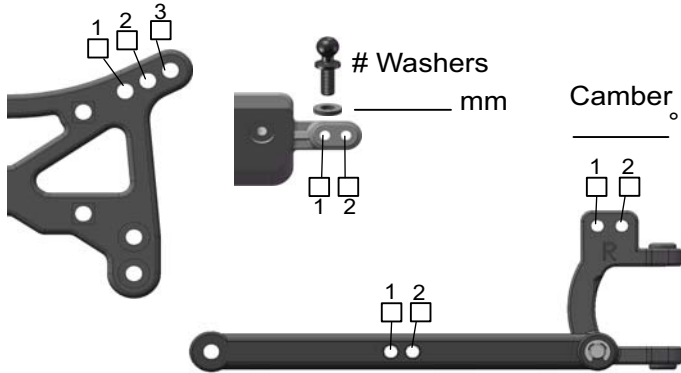
Event \_\_\_\_\_ Date \_\_\_\_ / \_\_\_\_ / \_\_\_\_

## Conditions

- |  |                                 |                                    |                                       |                                       |
|--|---------------------------------|------------------------------------|---------------------------------------|---------------------------------------|
| <input type="checkbox"/> High traction | <input type="checkbox"/> Smooth | <input type="checkbox"/> Bumpy     | <input type="checkbox"/> Low traction | <input type="checkbox"/> Med traction |
| <input type="checkbox"/> Clay          | <input type="checkbox"/> Sandy  | <input type="checkbox"/> Soft dirt | <input type="checkbox"/> Grass        | <input type="checkbox"/> Hard soil    |
|  | <input type="checkbox"/> Wet    | <input type="checkbox"/> Dry       | <input type="checkbox"/> Dusty        | <input type="checkbox"/> Other        |

## Front Suspension

### Shock Mounting&Camber link



Ride height \_\_\_\_\_

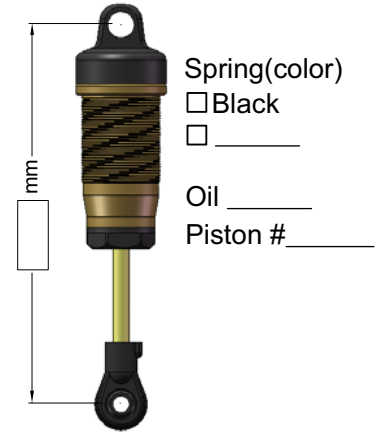
Toe-in (+)/Out (-) \_\_\_\_\_°

Bump Steep Spacer \_\_\_\_\_

Caster  
 25°  
 30°

# Washers \_\_\_\_\_ mm  
 1  
 2

## Front Shocks



Spring(color)

Black

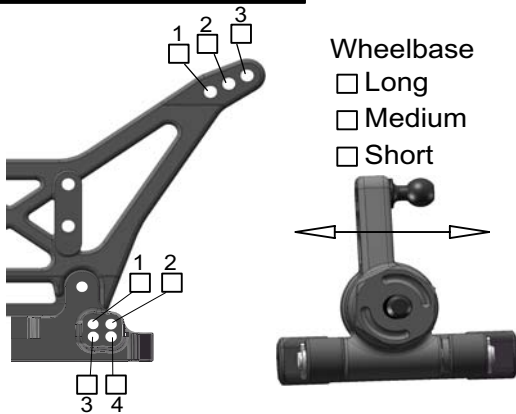
\_\_\_\_\_

Oil \_\_\_\_\_

Piston # \_\_\_\_\_

## Rear Suspension

### Shock Mounting&Camber link



Ride height \_\_\_\_\_

Wheelbase

Long

Medium

Short

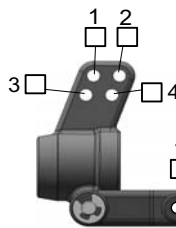
Camber \_\_\_\_\_°

Aluminum(Opt)

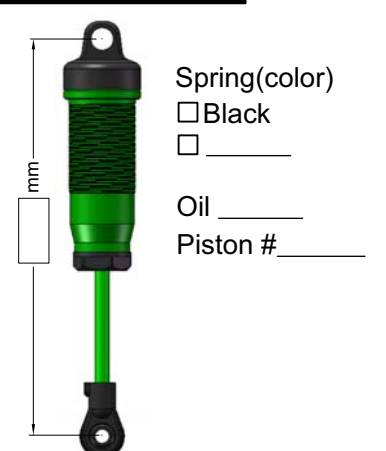
# Washers \_\_\_\_\_ mm

1  
 2  
 3

Normal



## Rear Shocks



Spring(color)

Black

\_\_\_\_\_

Oil \_\_\_\_\_

Piston # \_\_\_\_\_

## Front Tires&Wheels

Front Tires \_\_\_\_\_

Inserts \_\_\_\_\_ Wheels \_\_\_\_\_

## Rear Tires&Wheels

Rear Tires \_\_\_\_\_

Inserts \_\_\_\_\_ Wheels \_\_\_\_\_

## Diff

Brand \_\_\_\_\_

Oil wt \_\_\_\_\_

## Radio/Batteries

Servo \_\_\_\_\_

Esc \_\_\_\_\_

Batteries \_\_\_\_\_

## Motor

Motor \_\_\_\_\_

Pinion/Spur \_\_\_\_\_ / \_\_\_\_\_

## Comments

Notes \_\_\_\_\_

\_\_\_\_\_

\_\_\_\_\_



[www.teamcracing.net](http://www.teamcracing.net)