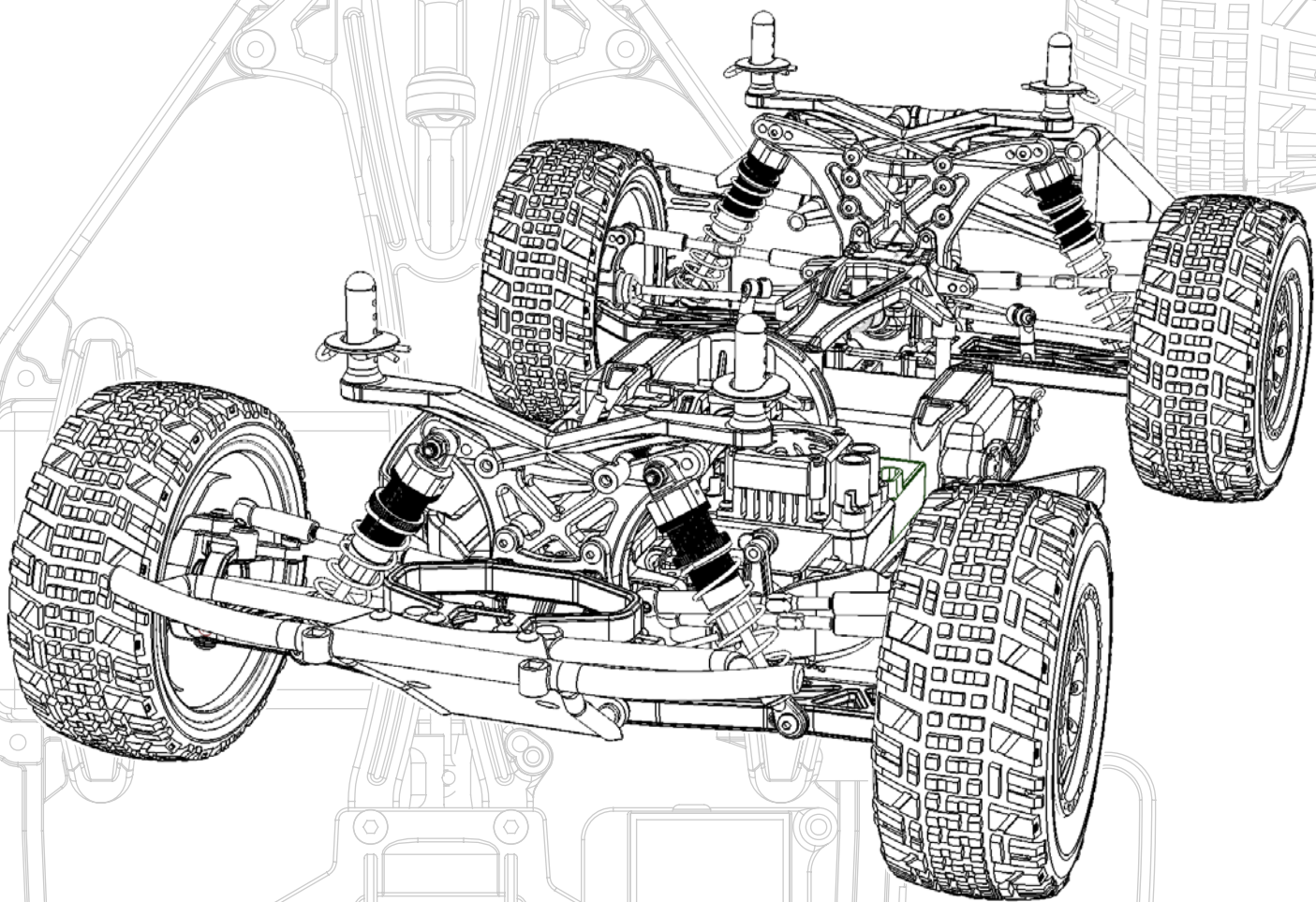


Team

www.teamcracing.net

TS4



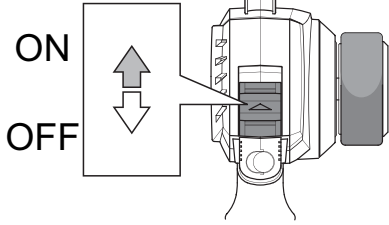
**1:10 SCALE RADIO 4WD ELECTRIC
SHORT-COURSE**

Length 長度.....	515mm
Width 寬度	290mm
Height 高度.....	160mm

Transmitter Preparation

調整遙控器

Power Switch
電源開關



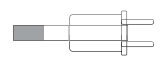
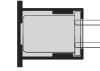
Antenna
天線

Extend the antenna to the maximum Length for best performance
天線拉的越長性能越好

27MHz Transmitter Crystal (TX)
27MHz 發射機晶片 (TX)

Transmitter crystal (TX)
發射機晶片

Receiver crystal (RX)
接收機晶片



The crystal can be replaced to change frequencies.
Note: You must also change receiver crystals!
Do not use AM crystals

更換晶片可以改變頻率
注意：你也必須改變接收機晶片！

Battery Level Indicator
電池標準指示燈



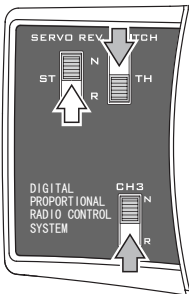
Good Batteries
標準的電池



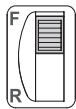
Low Batteries (Light Blinks)
低電的電池 (電燈閃爍)

Reverse Switch
反向開關

! Servo Factory Settings
! 工廠安裝 (當轉向/油門反向時調整用)



4 3ch Switch
第三動作開關



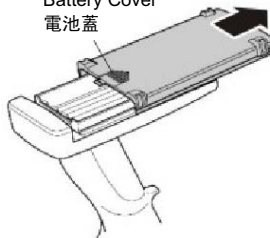
This switch is used for optional parts.
這個開關用於選擇部分

Transmitter Battery Installation
遙控器電池安裝

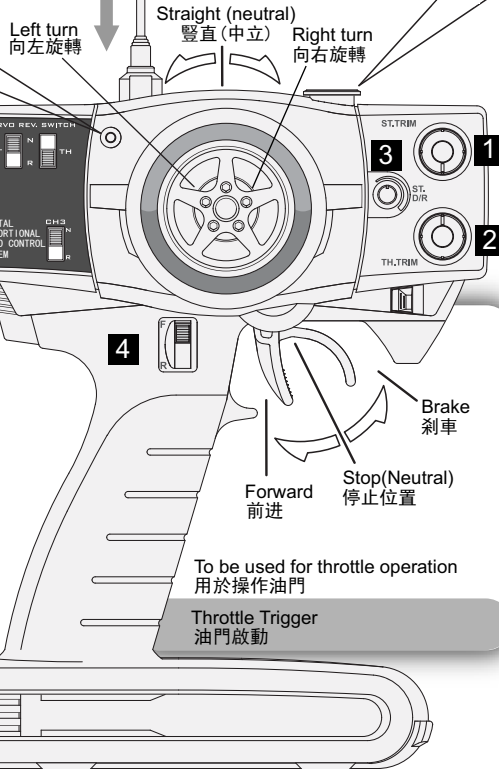
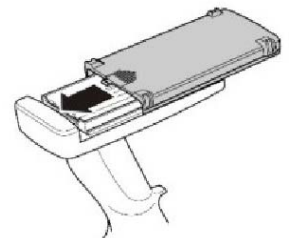
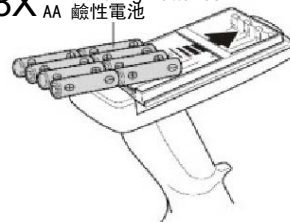
Open battery cover at the bottom of transmitter.
Install batteries. Follow the direction of batteries
designated in the inside of battery box.

在遙控器的底部打開電池蓋子，安裝電池。
跟隨電池的指示在電池盒裡面指定

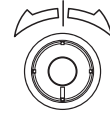
Battery Cover
電池蓋



8X AA Alkaline Batteries
AA 鹼性電池



1 Steering Trim
方向調整



To be used for trimming the steering
operation
用於調整轉向中立點

2 Throttle Trim
油門前進/後退 (剎車) 調整



To be used for trimming the throttle
operation
用於調整油門中立點

3 Steering Dual Rate
轉向舵角量



To be used to adjust steering servo throw
用來調整轉向伺服

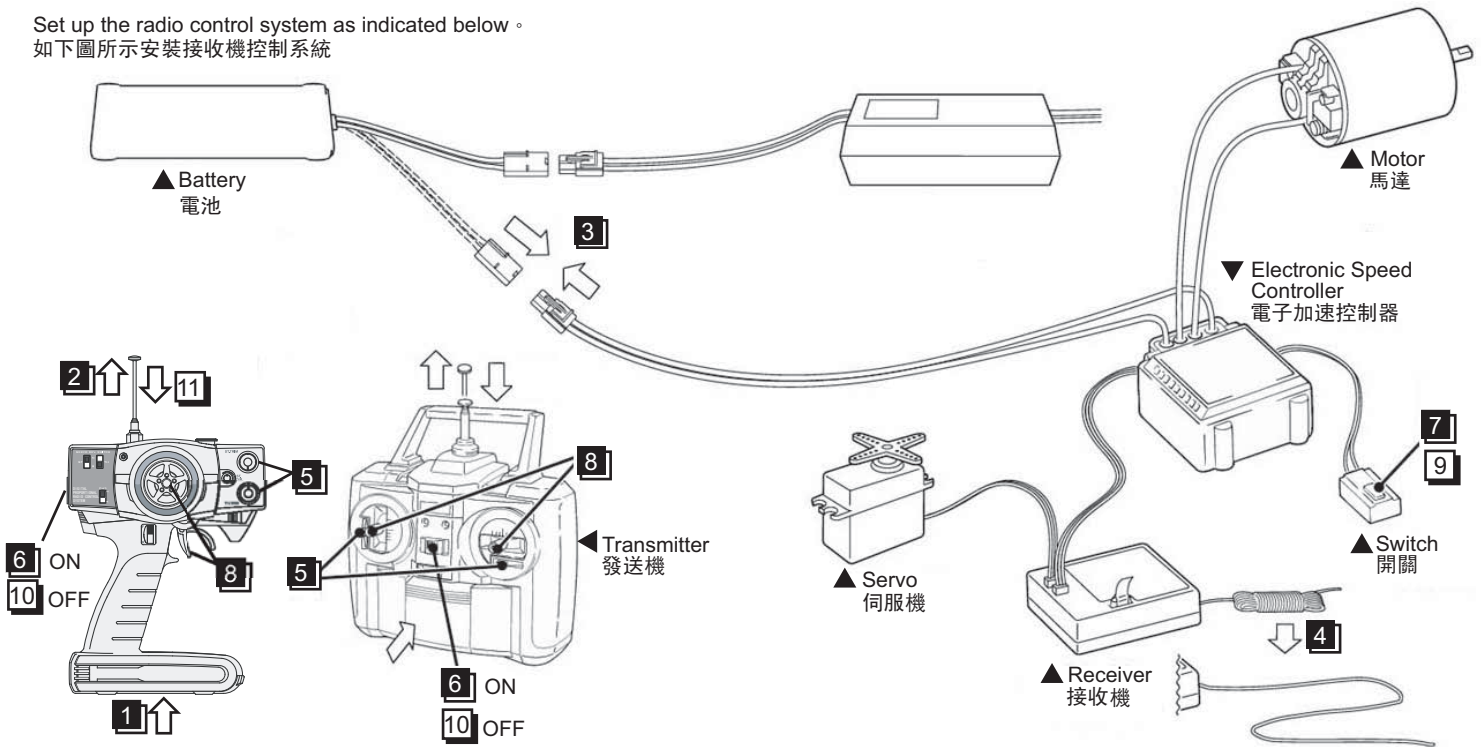
To be used for throttle operation
用於操作油門
Throttle Trigger
油門啟動

Transmitter Preparation

調整遙控器

A new Ni-MH battery must be charged before it is used. Refer to the charger instruction manual for charging.
 在使用之前，一個新電池必須先充電。詳情請參考充電器說明書。

Set up the radio control system as indicated below.
 如下圖所示安裝接收機控制系統



● Start

- 1 Install batteries.(Transmitter)
- 2 Extend the antenna.(Transmitter)
- 3 Connect the battery
- 4 Extend the antenna.(Receiver)
- 5 Center the trims.
- 6 Switch on.(Transmitter)
- 7 Switch on.(Receiver)
- 8 Make sure the servos are in command.

● Finish

- 9 Switch off.(Receiver)
- 10 Switch off.(Transmitter)
- 11 Retract the antenna(Transmitter)

● 開始

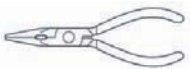
- 1 安裝電池(發送機)
- 2 拉出天線(發送機)
- 3 連接電池
- 4 拉出天線(接收機)
- 5 中心對整齊
- 6 開關(發送機)
- 7 開關(接收機)
- 8 確定控制伺服機

● 結束

- 9 關閉開關(接收機)
- 10 關閉開關(發送機)
- 11 收回天線(發送機)

Tools required 組裝需要的工具

- Needle Nose Pliers
尖嘴鉗



- Awl
錐



- Grease
潤滑油



- Screw Cement
螺絲膠水



- Instant Glue
瞬間膠水



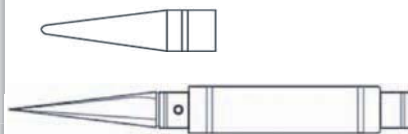
- Ball differential Grease(Clear)
差速滾珠油(清澈)



- Molybdenum Grease(Black)
鉬油(黑)



- SP KINFE EDGE REAMER
刀刃 絞刀

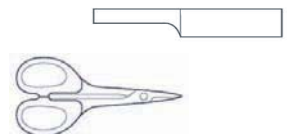


No need to pre-drill precise holes
(1mm to 15mm) can be drilled
 可以對預鑽的孔準確的鑽深
 1mm-15mm, 不需要穿透

- Wire Cutters
鋼絲鉗



- ROUND CUTTER&SANDER
剪刀&挫刀



- Hex Wrench
六角扳手



- Hex Wrench
十字套筒



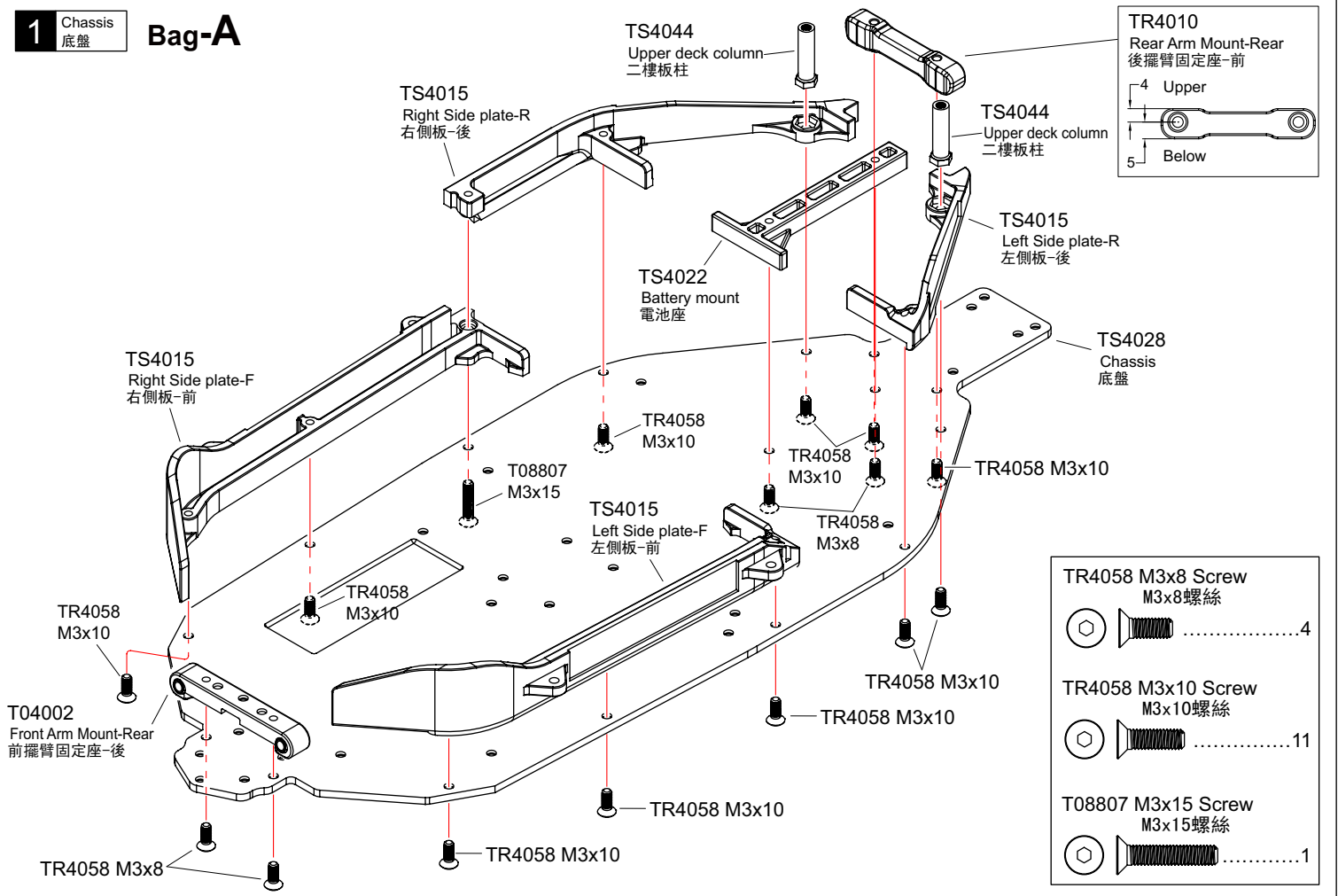
- Sharp Hobby knife
美工刀



For trimming bodies!
 用於修剪車殼!

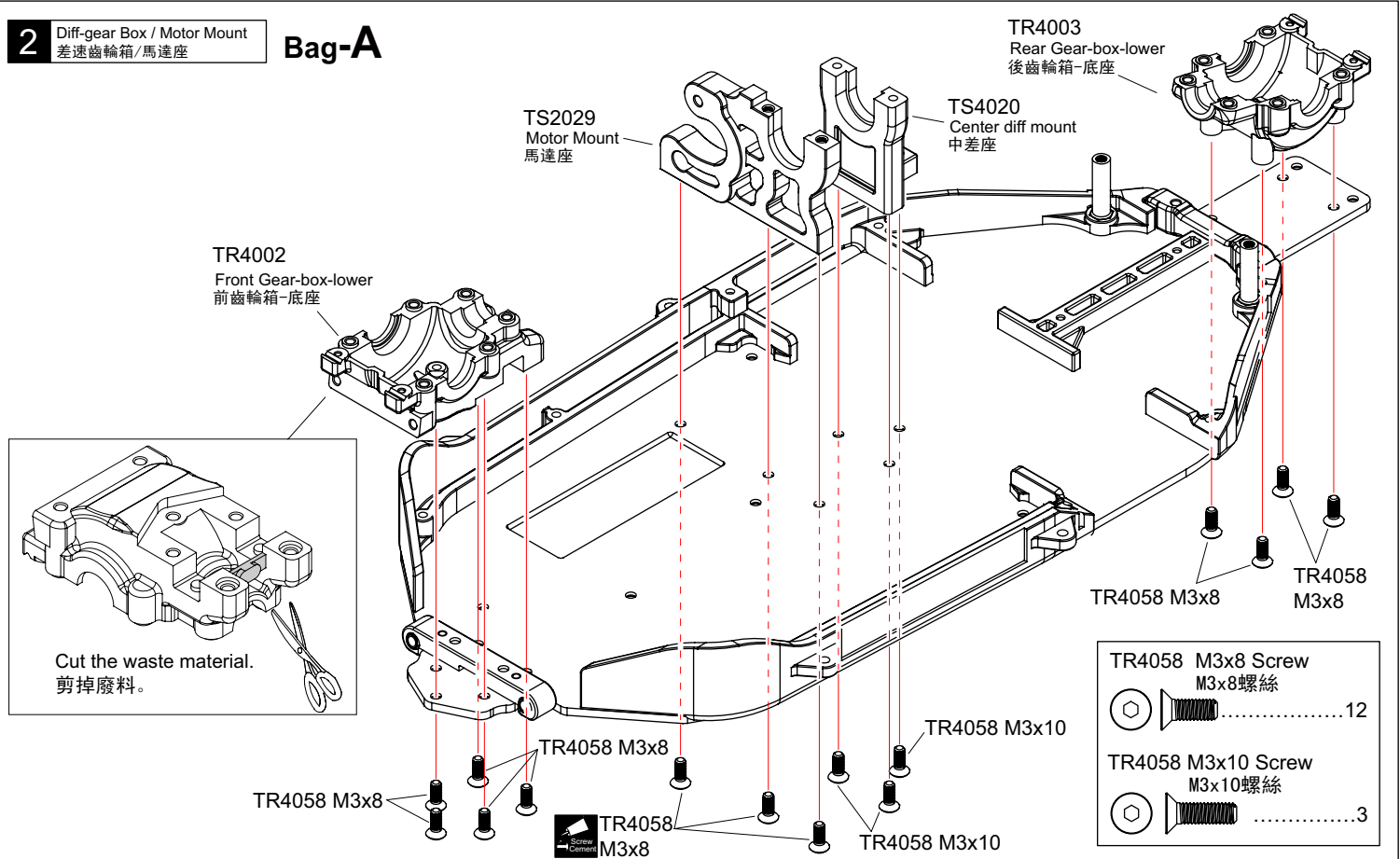
1 Chassis
底盤

Bag-A



2 Diff-gear Box / Motor Mount
差速齒輪箱/馬達座

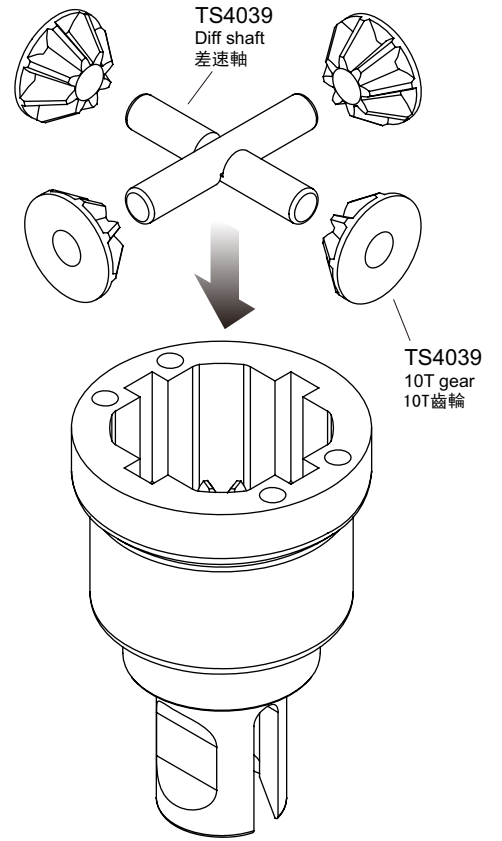
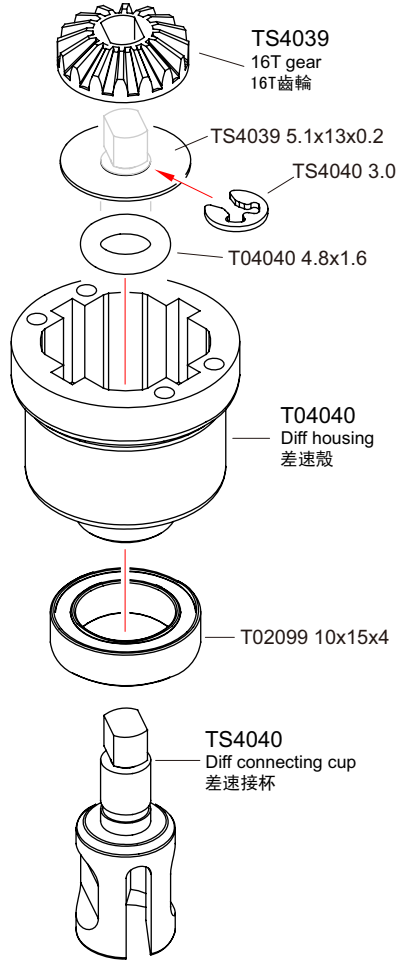
Bag-A



Apply threadlocker(screw cement)
打螺絲膠水

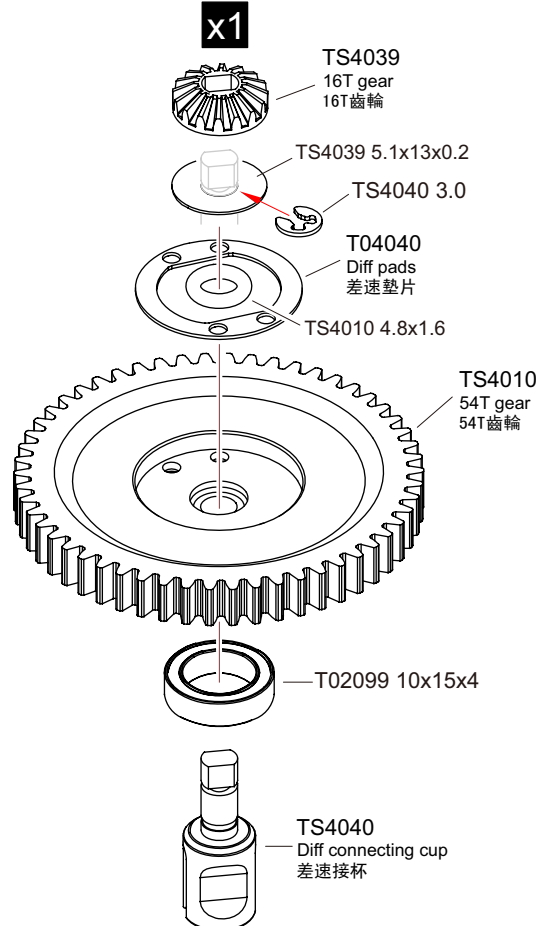
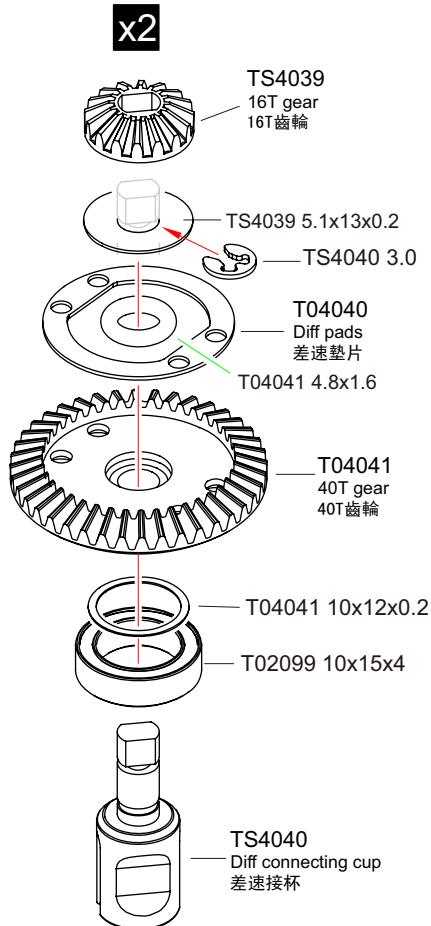
3 Diff 差速器 **x3** Bag-A

- TS4040 3.0 E-ring
3.0 E扣3
- TS4039 5.1x13x0.2 Washer
5.1x13x0.2垫片3
- T04040 4.8x1.6 O-ring
4.8x1.6 O環3
- T02099 10x15x4 Ball Bearing
10x15x4轴承3
- TS4039 Diff shaft
差速軸6

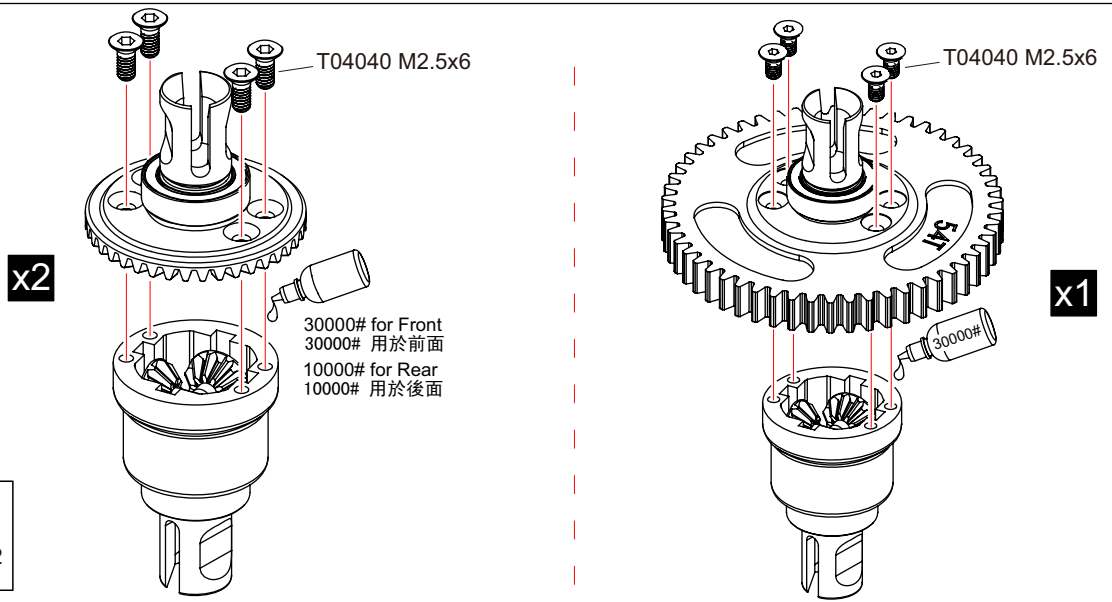


4 Diff 差速器 **Bag-A**

- TS4040 3.0 E-ring
3.0 E扣3
- TS4039 5.1x13x0.2 Washer
5.1x13x0.2垫片3
- T04041/TS4010 4.8x1.6 O-ring
4.8x1.6 O環3
- T02099 10x15x4 Ball Bearing
10x15x4轴承3
- T04041 10x12x0.2 Washer
10x12x0.2垫片2



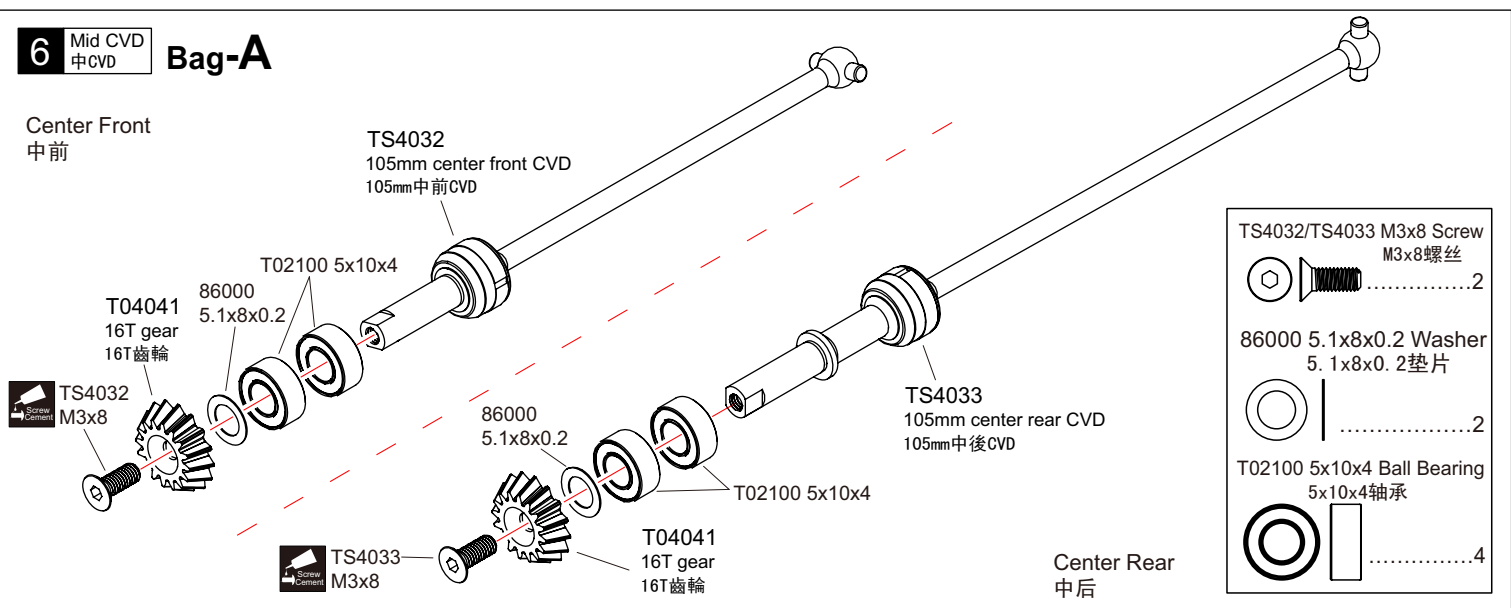
5 Diff 差速器 **Bag-A**



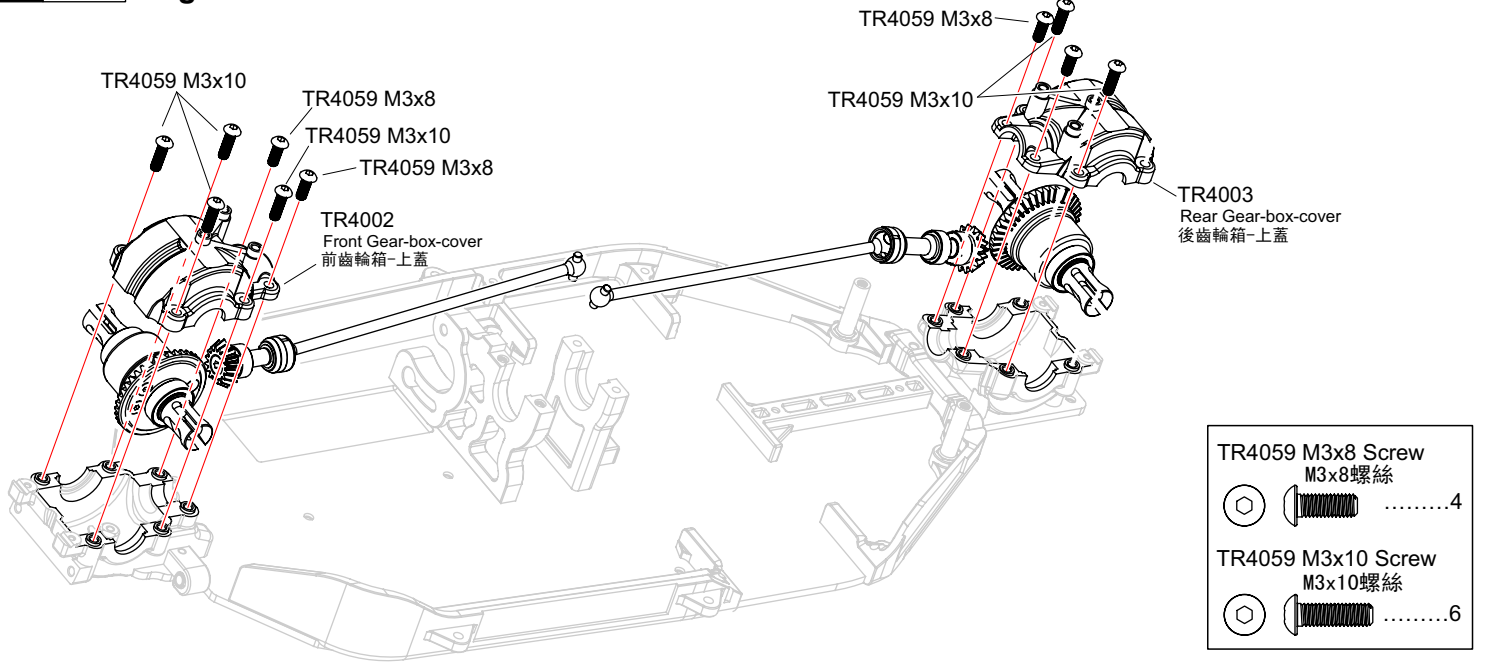
- T04040 M2.5x6 Screw
M2.5x6 螺絲
.....12

6 Mid CVD 中CVD **Bag-A**

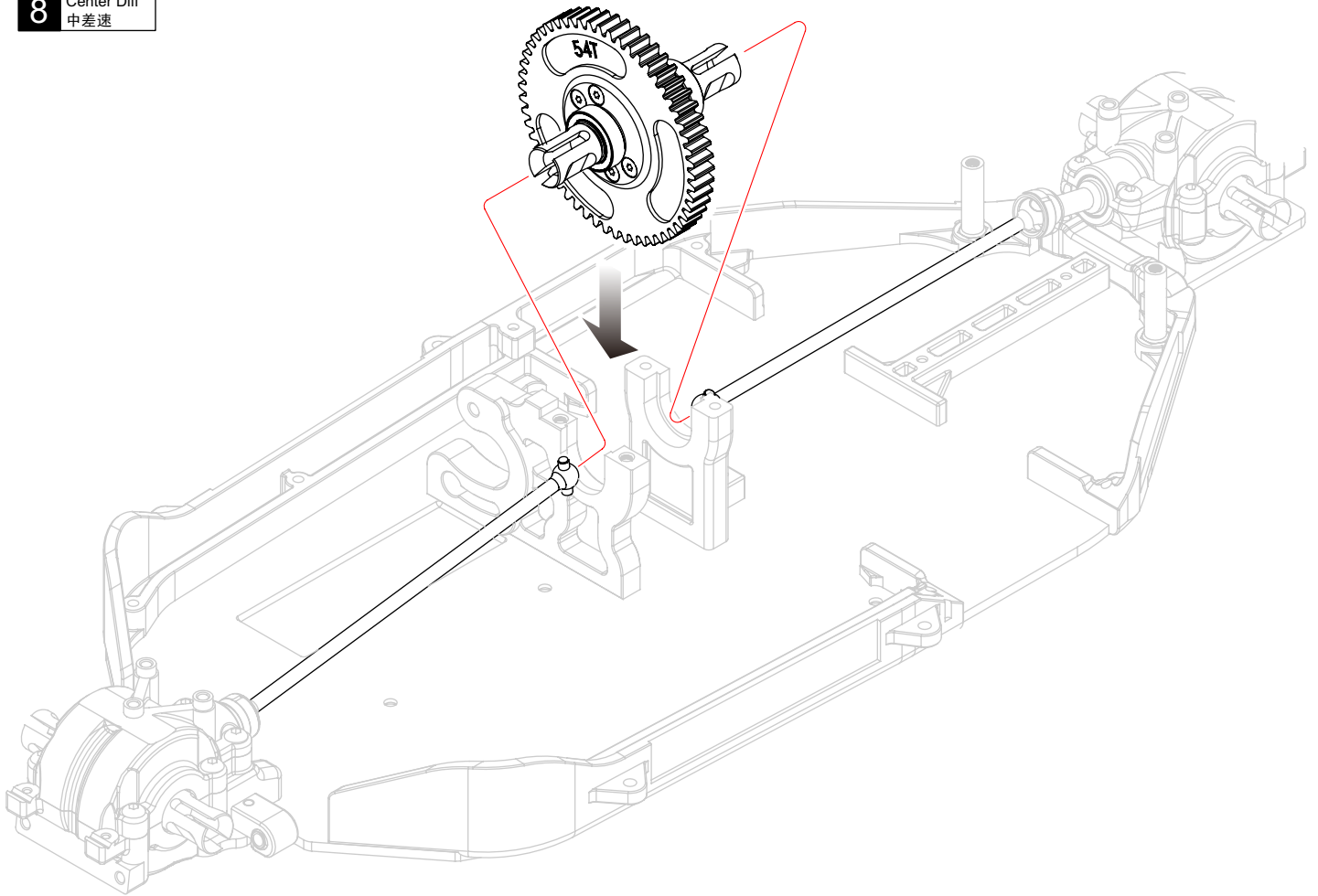
Center Front 中前



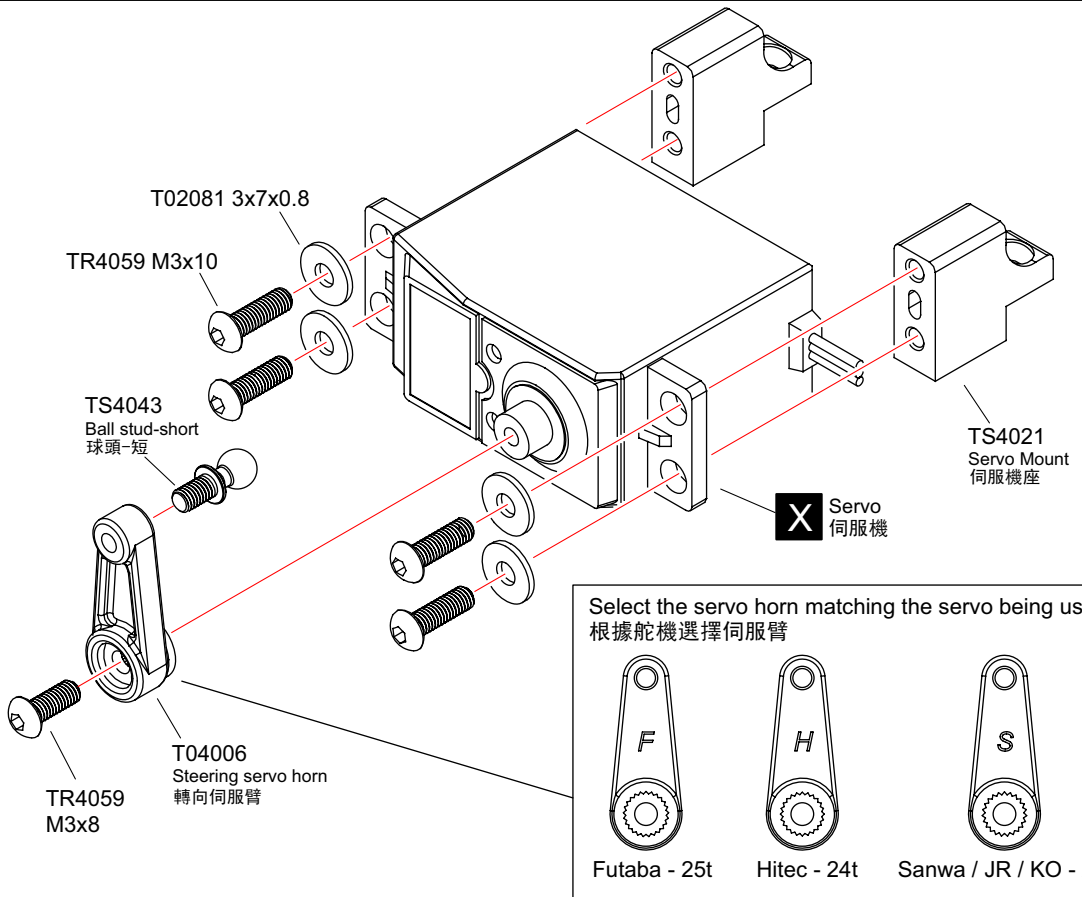
7 Diff 差速器 **Bag-A**



8 Center Diff
中差速



9 Steering Servo
轉向伺服系統 **Bag-B**



- | | |
|------------------------------------|--------|
| TR4059 M3x8 Screw
M3x8螺絲 |1 |
| TR4059 M3x10 Screw
M3x10螺絲 |4 |
| TS4043 Ball stud-Short
球頭-短 |1 |
| T02081 3x7x0.8 Washer
3x7x0.8墊片 |4 |

Select the servo horn matching the servo being used.
根據舵機選擇伺服臂

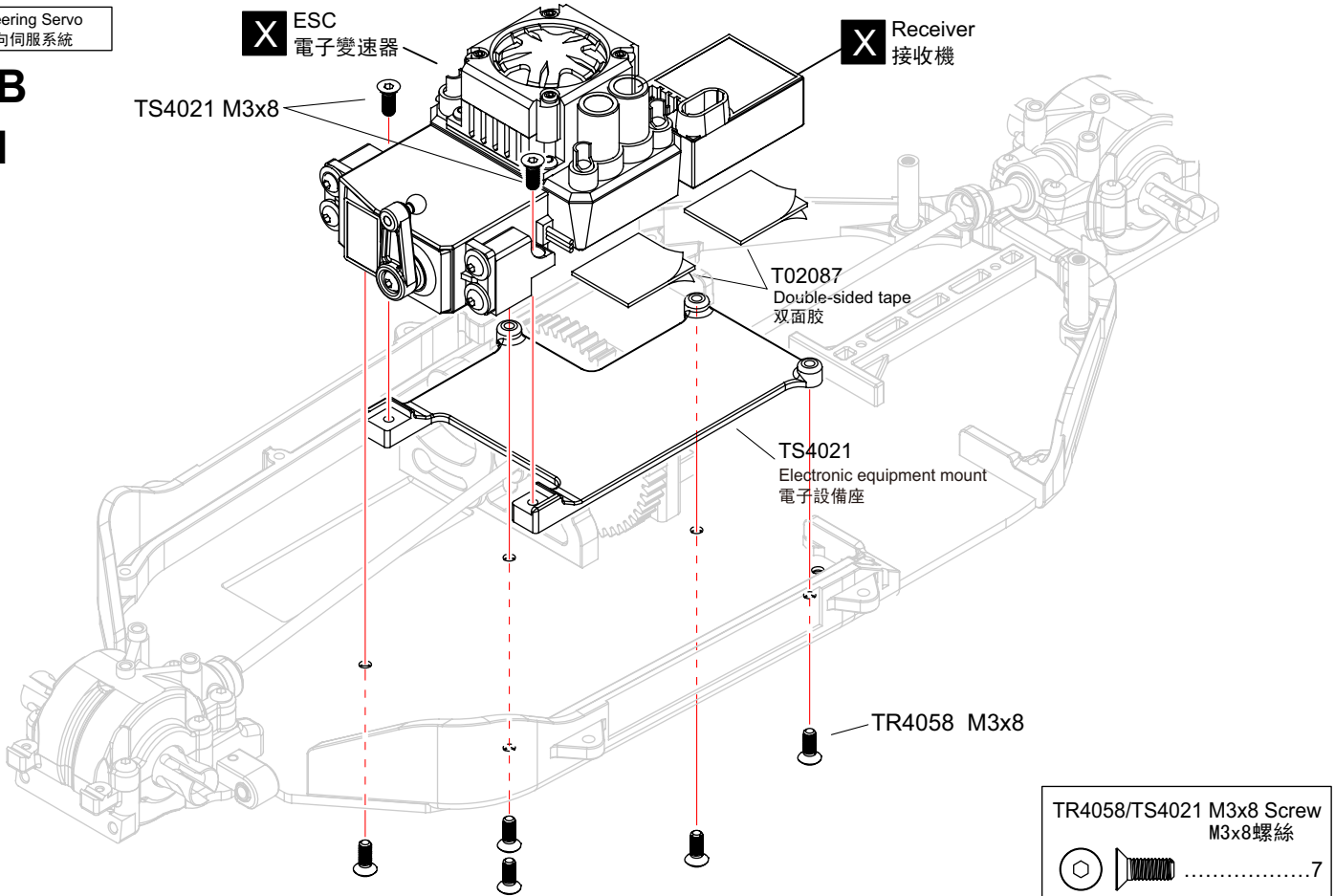
Futaba - 25t	Hitec - 24t	Sanwa / JR / KO - 23t

X Must be purchased separately
需另購物品

10 Steering Servo
轉向伺服系統

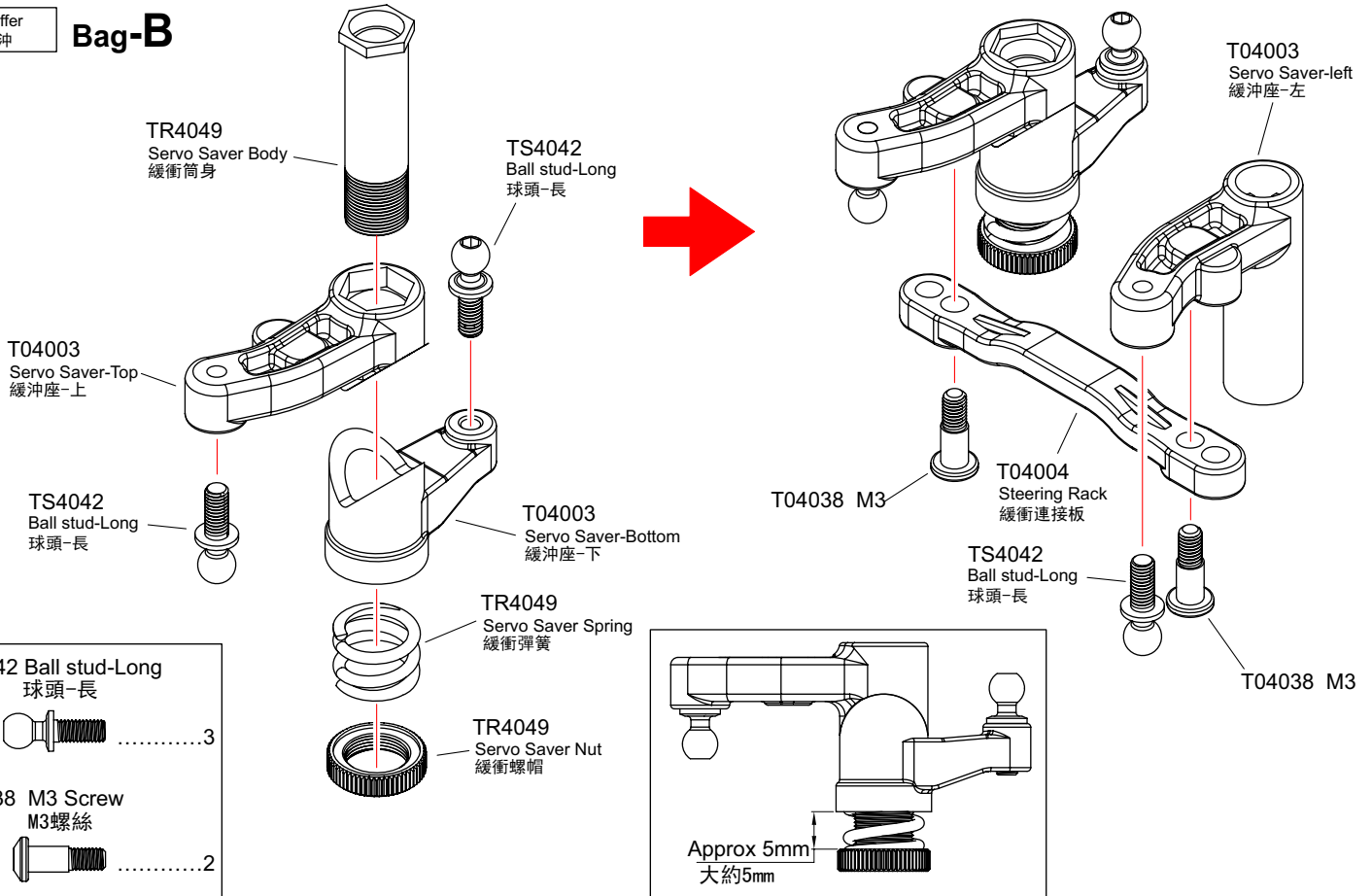
Bag-B

Bag-I



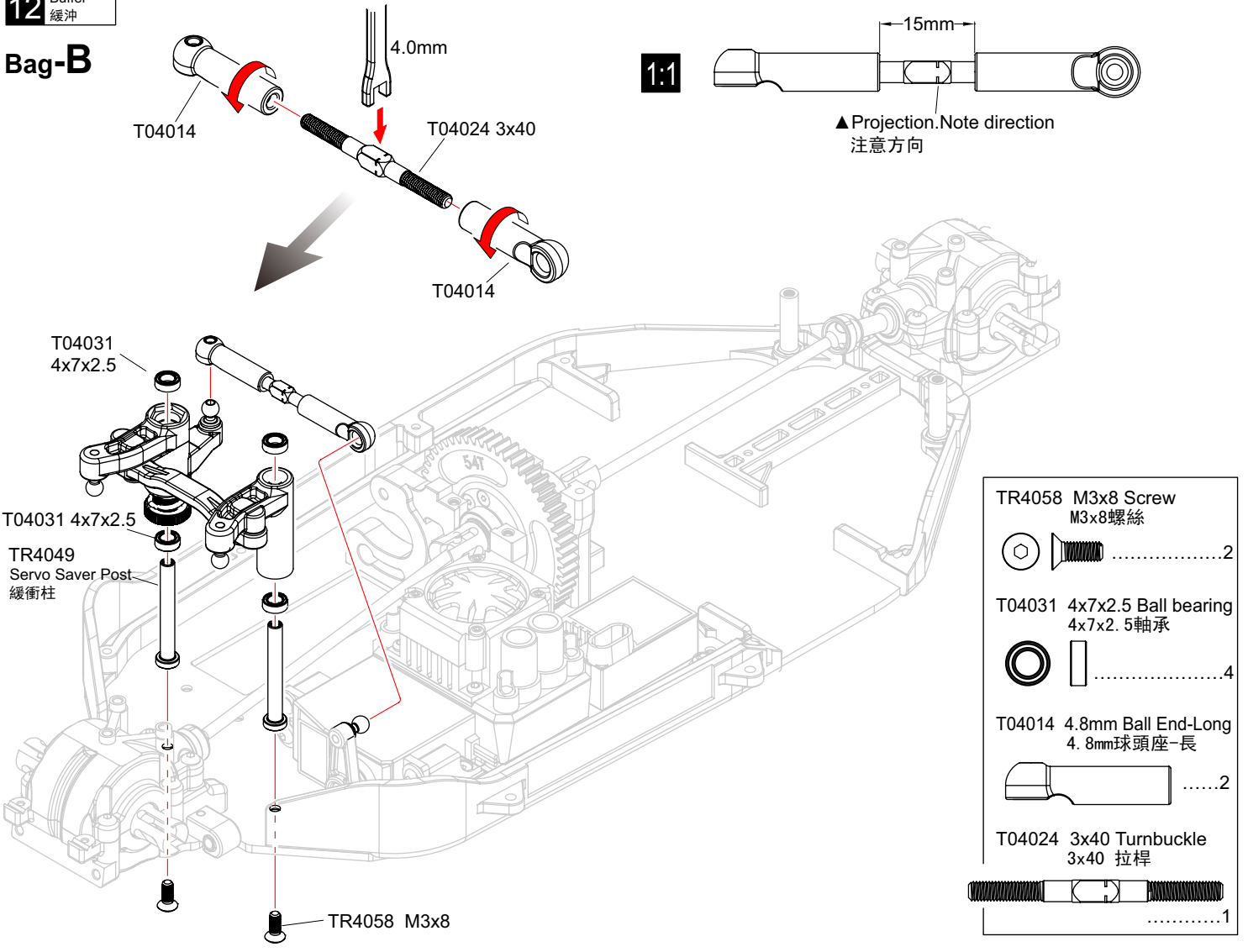
11 Buffer
緩沖

Bag-B



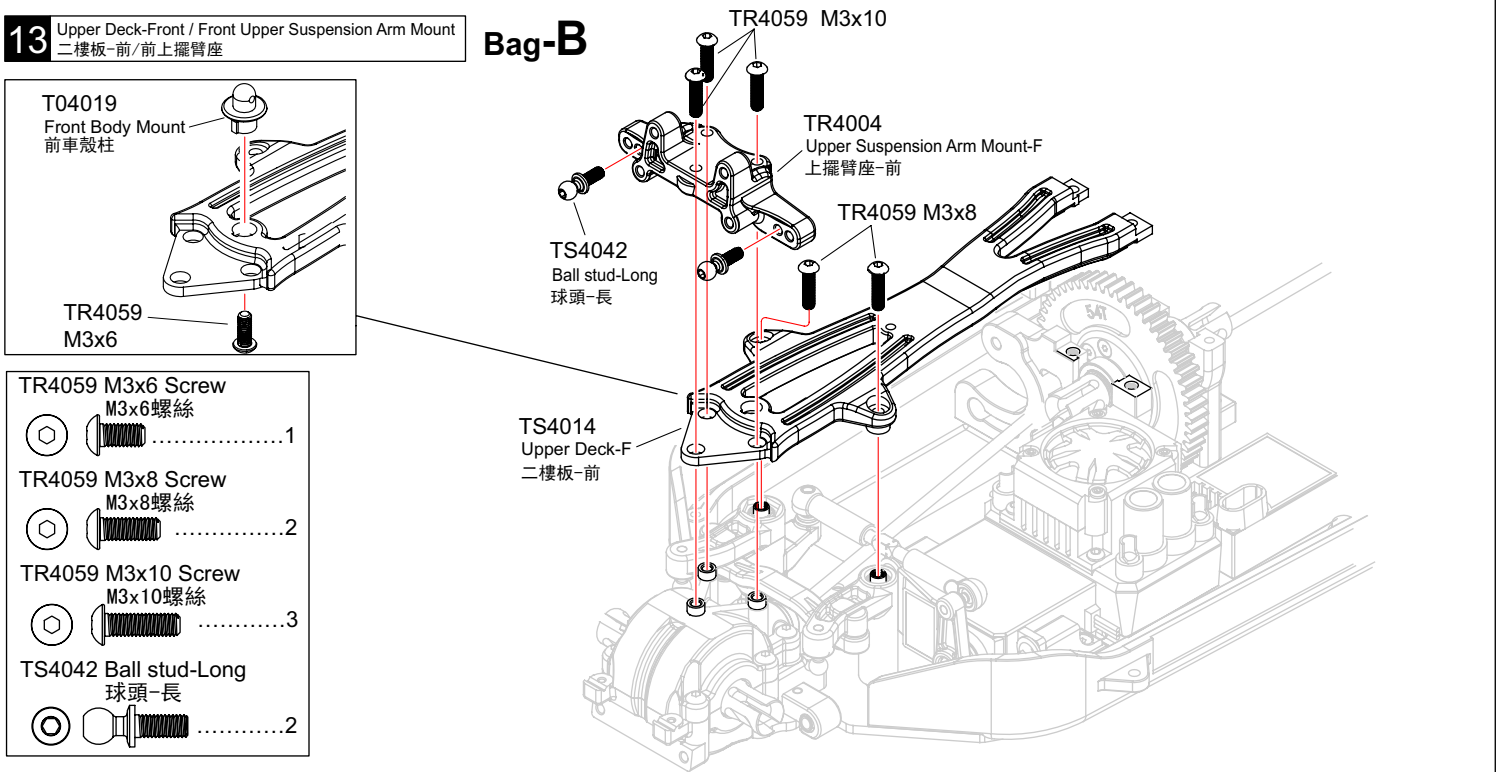
12 Buffer
緩沖

Bag-B



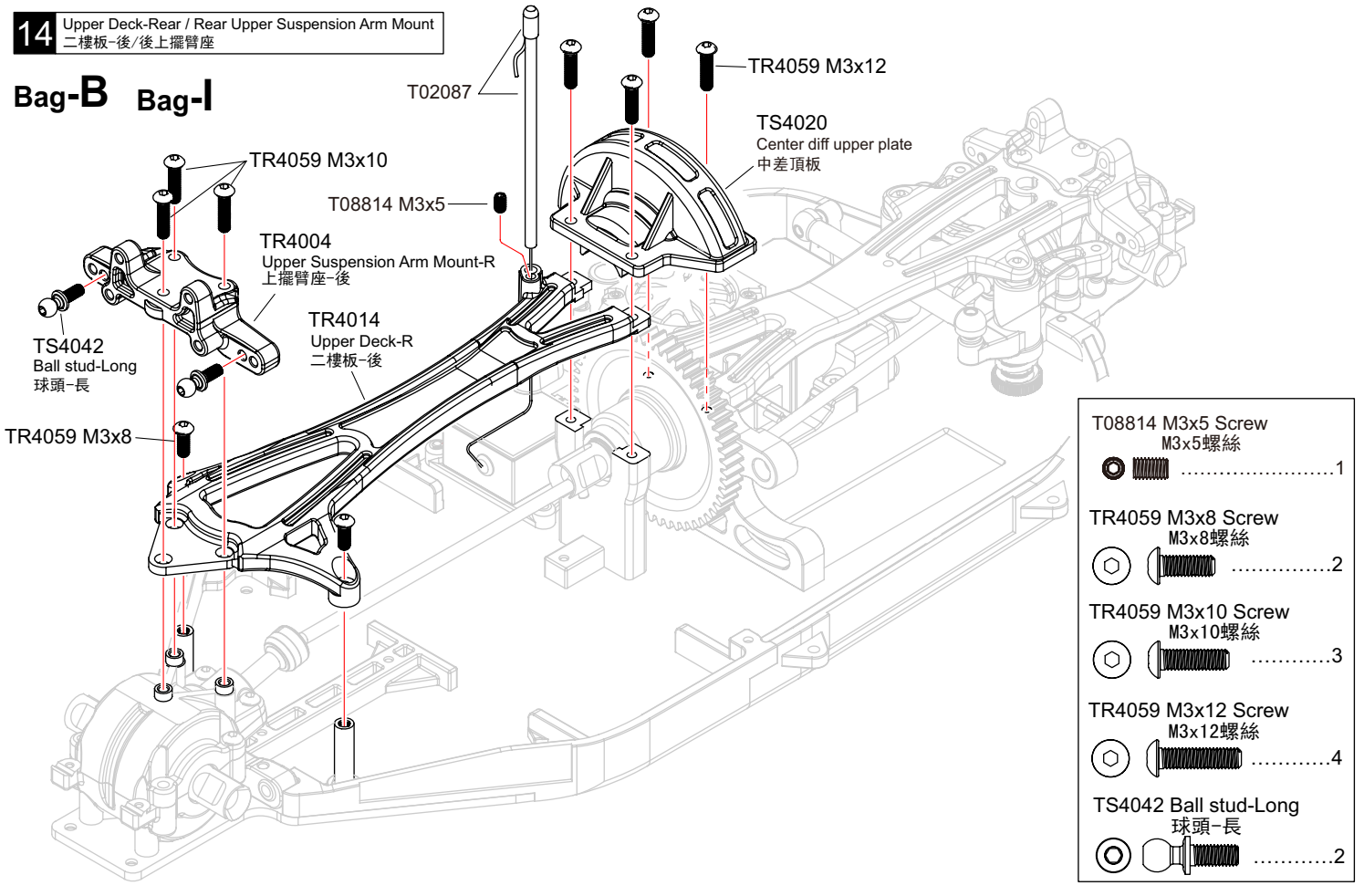
13 Upper Deck-Front / Front Upper Suspension Arm Mount
二樓板-前/前上擺臂座

Bag-B

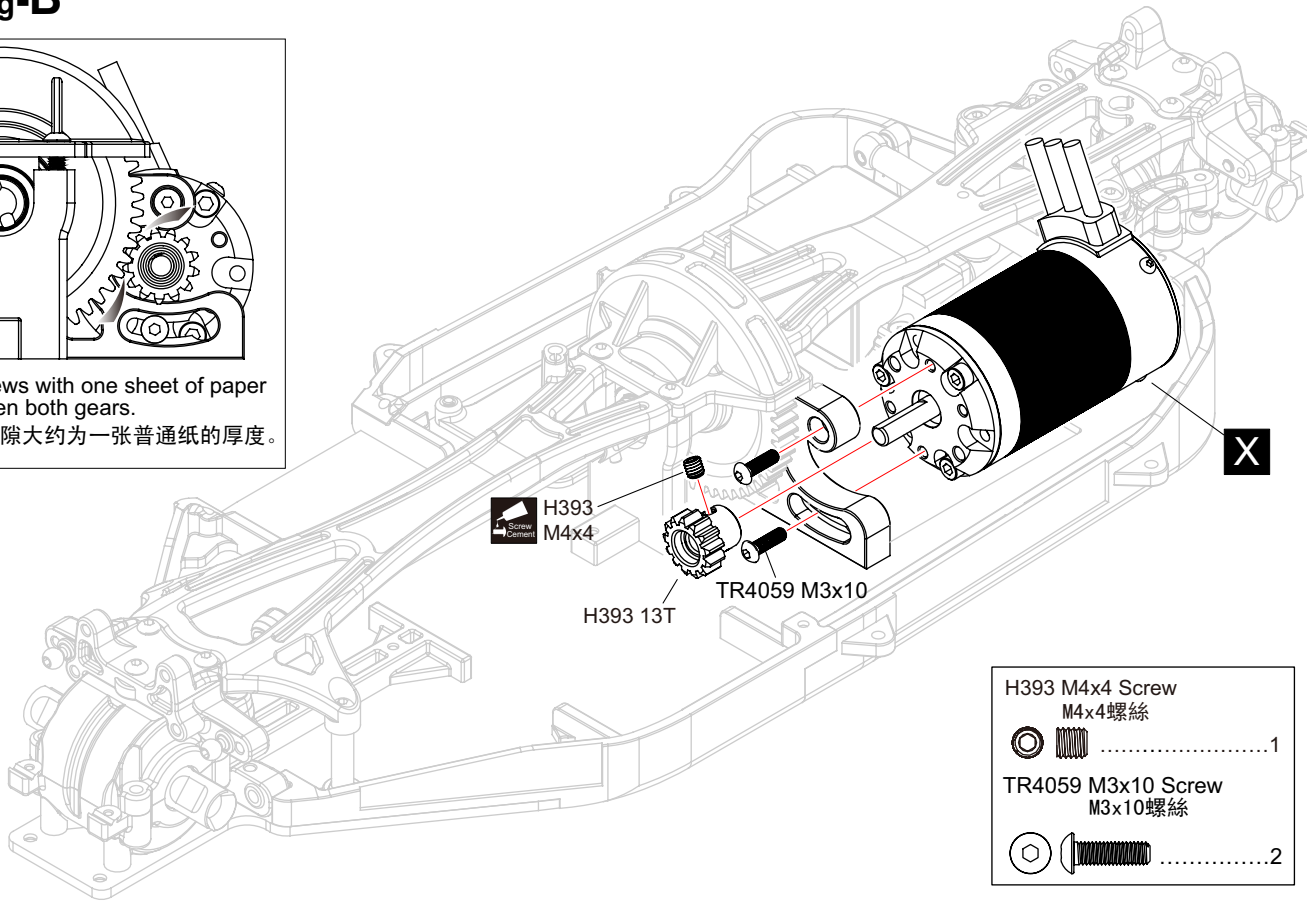
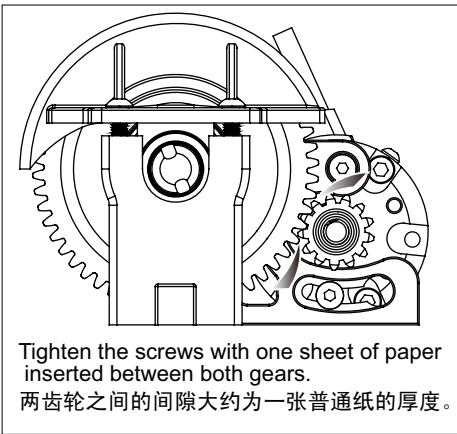


14 Upper Deck-Rear / Rear Upper Suspension Arm Mount
二樓板-後/後上擺臂座

Bag-B Bag-I



15 Motor
馬達 **Bag-B**



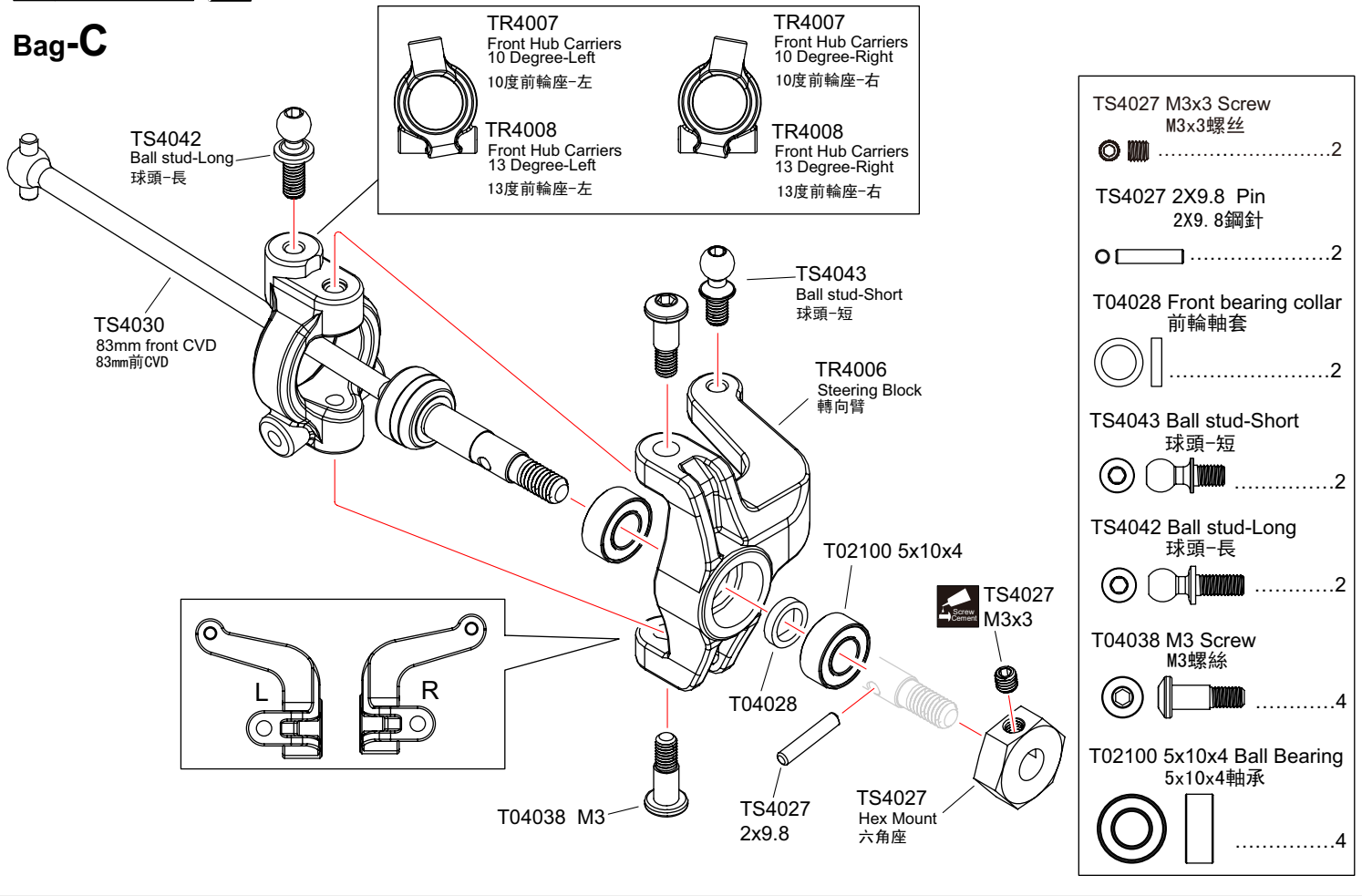
Apply threadlocker(screw cement)
打螺丝胶水

X Must be purchased separately
需另购物品

16 Front Hub Carrier
前輪座



Bag-C



- TR4007 Front Hub Carriers 10 Degree-Left
10度前輪座-左
- TR4007 Front Hub Carriers 10 Degree-Right
10度前輪座-右
- TR4008 Front Hub Carriers 13 Degree-Left
13度前輪座-左
- TR4008 Front Hub Carriers 13 Degree-Right
13度前輪座-右

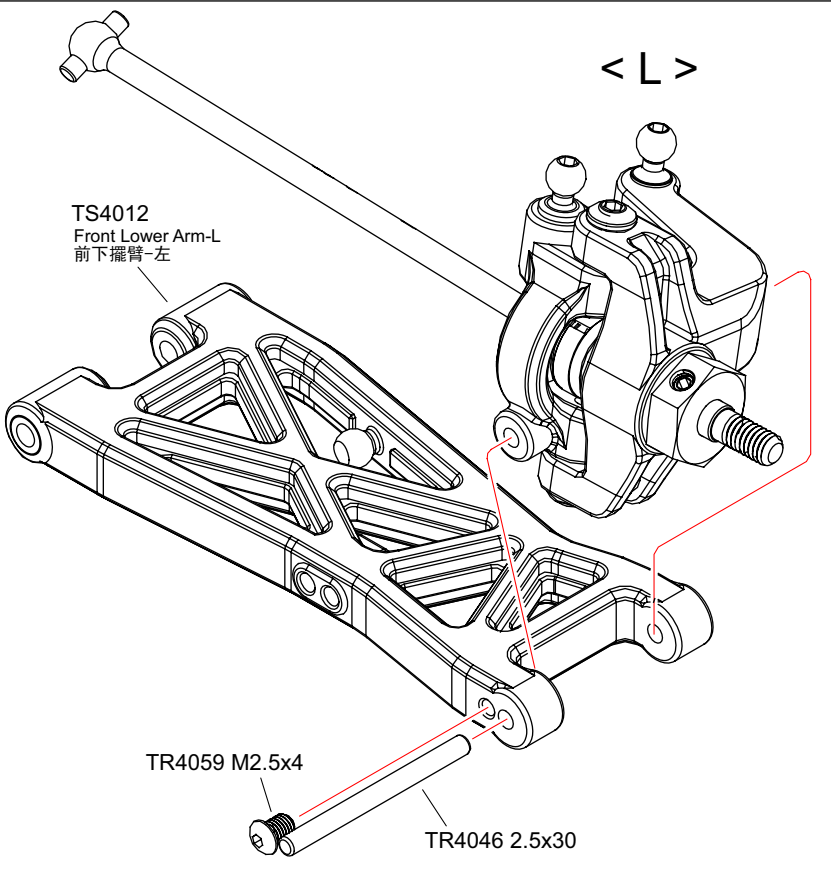
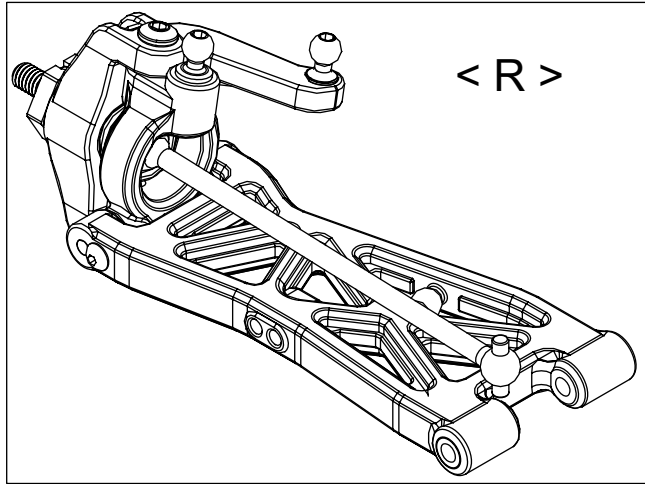
- TS4027 M3x3 Screw
M3x3螺絲2
- TS4027 2X9.8 Pin
2X9.8鋼針2
- T04028 Front bearing collar
前輪軸套2
- TS4043 Ball stud-Short
球頭-短2
- TS4042 Ball stud-Long
球頭-長2
- T04038 M3 Screw
M3螺絲4
- T02100 5x10x4 Ball Bearing
5x10x4軸承4

17 Front Lower arm
前下擺臂



Bag-C

- TR4059 M2.5x4 Screw
M2.5x4螺絲2
- TR4046 2.5x30 Arm Pin
2.5x30擺臂軸2



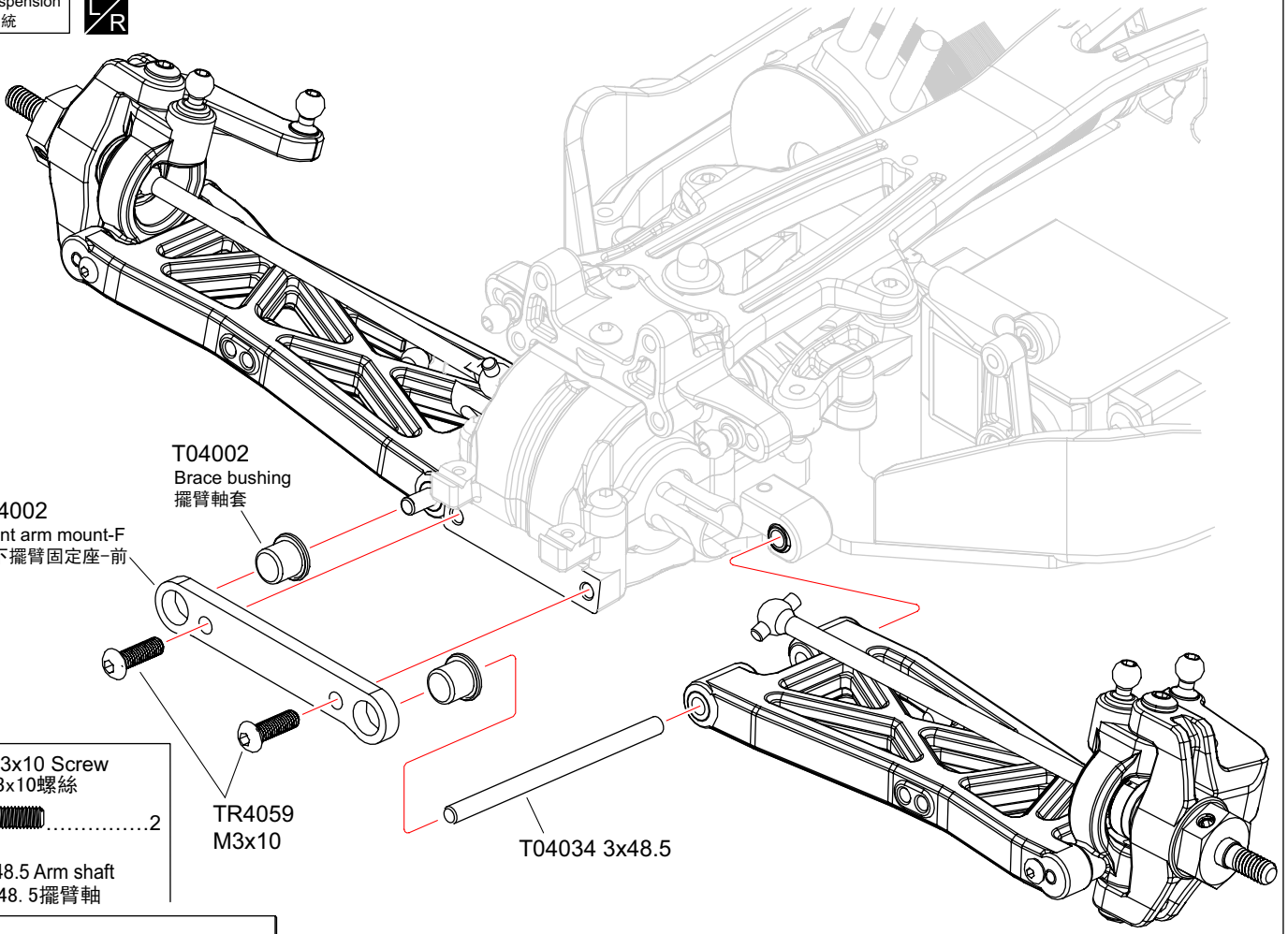
Apply threadlocker(screw cement)
打螺絲胶水

Assemble both Left and Right
組裝左和右

18 Front Suspension
前懸吊系統



Bag-C



T04002
Front arm mount-F
前下擺臂固定座-前

T04002
Brace bushing
擺臂軸套



TR4059 M3x10 Screw
M3x10螺絲
.....2

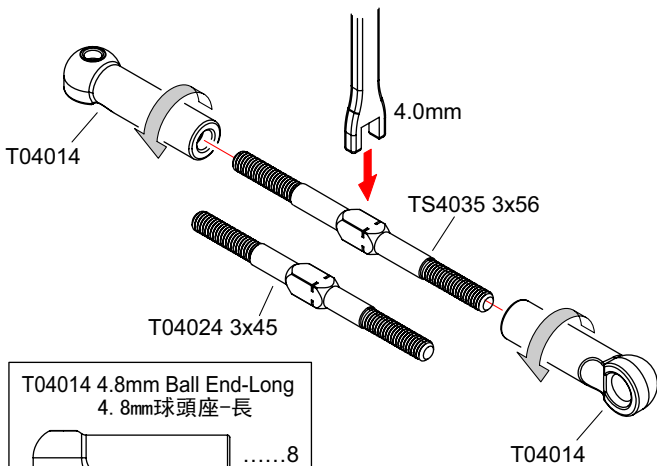
TR4059
M3x10

T04034 3x48.5 Arm shaft
3x48.5擺臂軸
.....2

T04034 3x48.5

19 Turnbuckle
拉桿

Bag-C



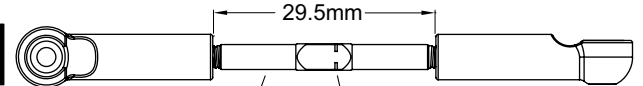
T04014 4.8mm Ball End-Long
4.8mm球頭座-長
.....8

T04024 3x45 Turnbuckle
3x45 拉桿
.....2

TS4034 3x51 Turnbuckle
3x51拉桿
.....2

Front upper Rod-L 前上拉桿-左

1:1 **x1**

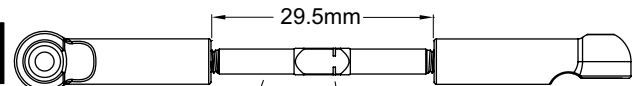


3x51 Turnbuckle

▲Projection.Note direction
注意方向

Front upper Rod-R 前上拉桿-右

1:1 **x1**

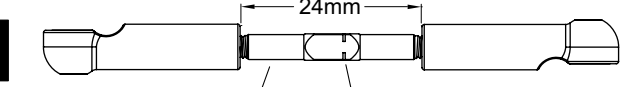


3x51 Turnbuckle

▲Projection.Note direction
注意方向

Steering Rod 轉向拉桿

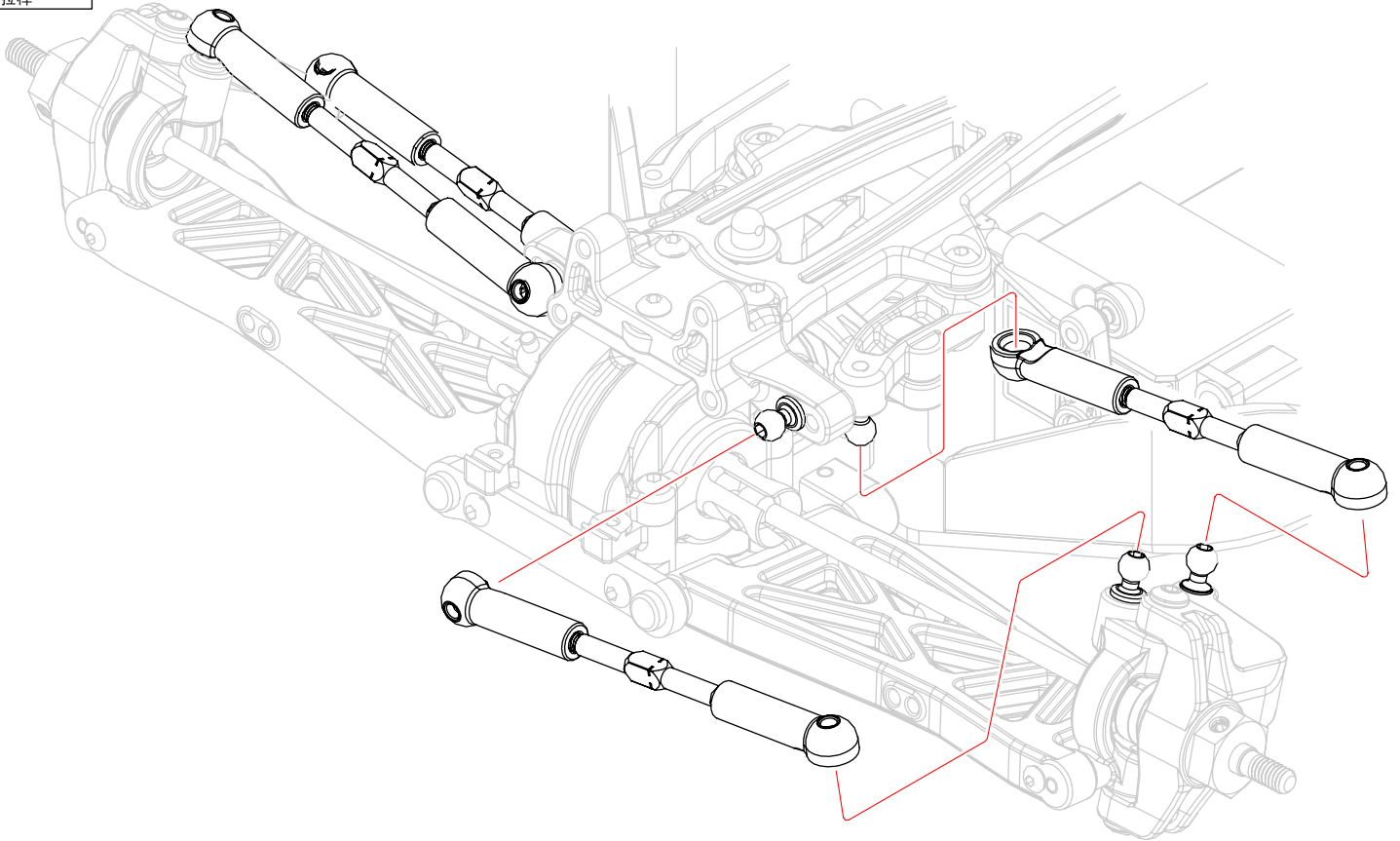
1:1 **x2**



3x45 Turnbuckle

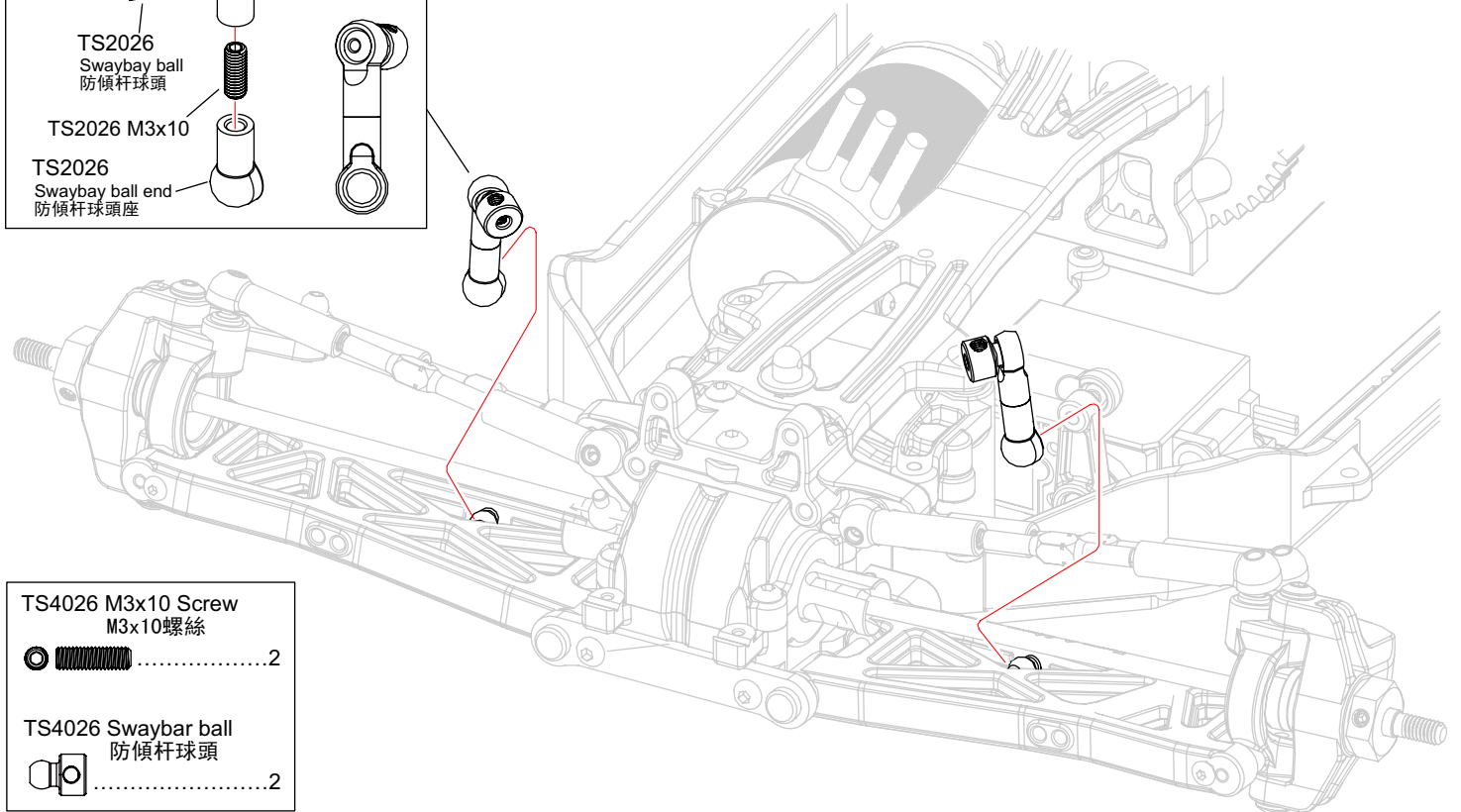
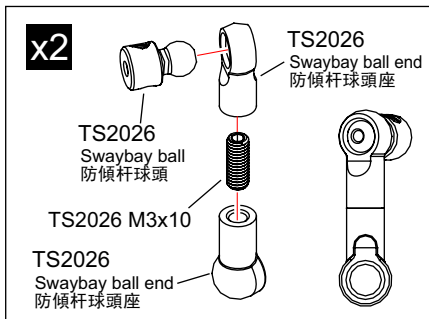
▲Projection.Note direction
注意方向

20 Turnbuckle
拉桿



21 Front suspension
前懸吊系統

Bag-C



TS4026 M3x10 Screw
M3x10螺絲

●2

TS4026 Swaybar ball
防傾杆球頭

□2

L/R Assemble both Left and Right
組裝左和右

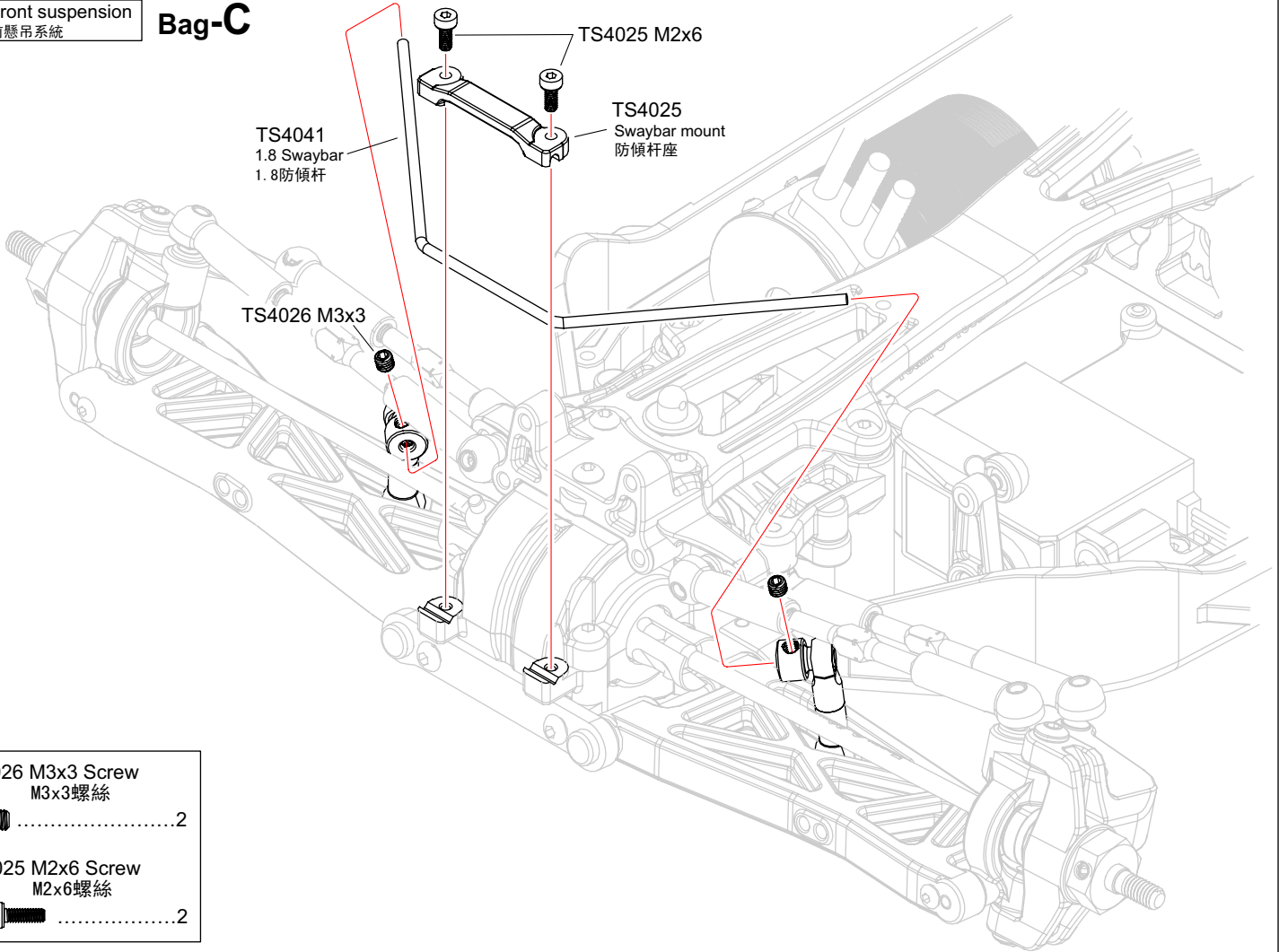
1:1 True-to-scale diagram
圖形比例

10

x2 Assemble as many times as specified
需組裝數量

22 Front suspension
前懸吊系統

Bag-C

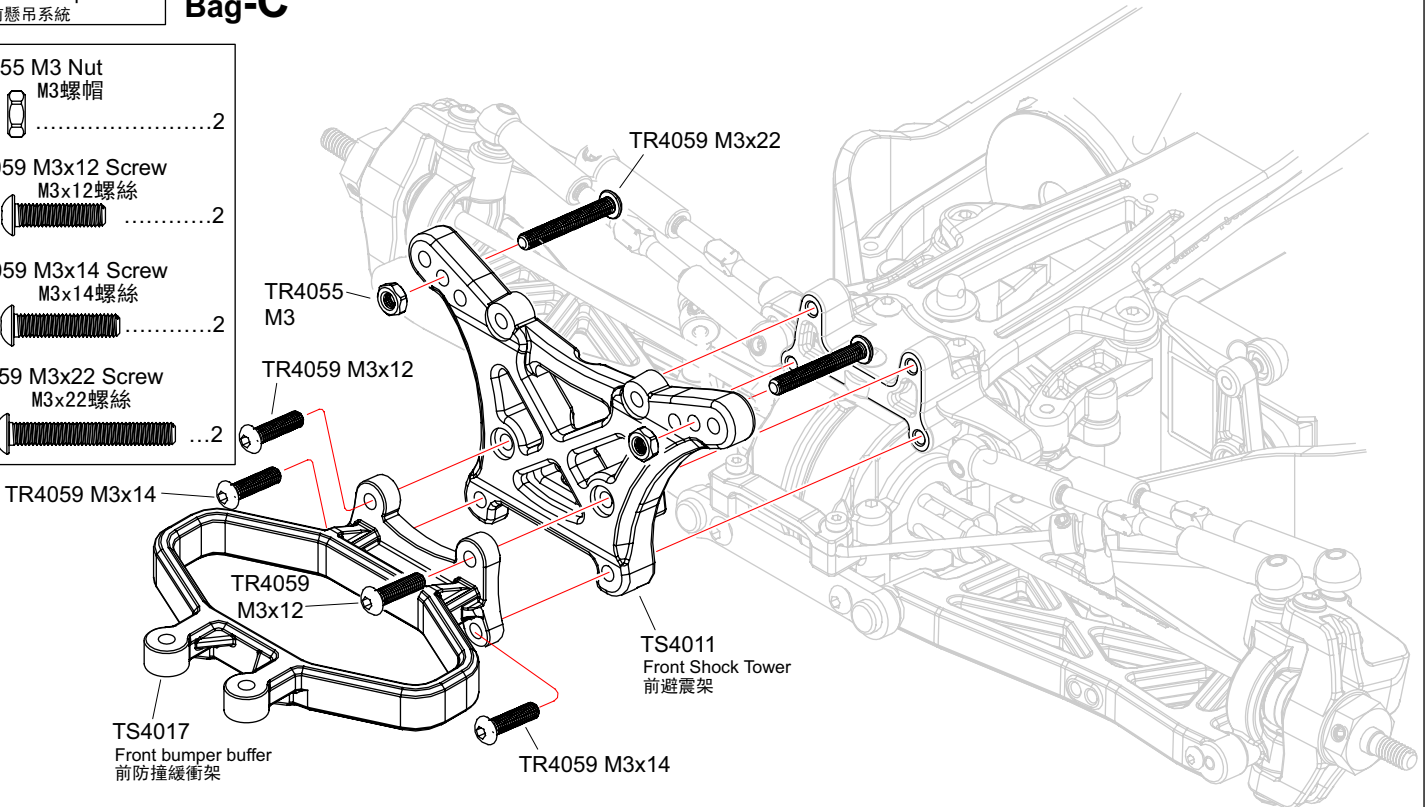


- TS4026 M3x3 Screw
M3x3螺絲2
- TS4025 M2x6 Screw
M2x6螺絲2

23 Front suspension
前懸吊系統

Bag-C

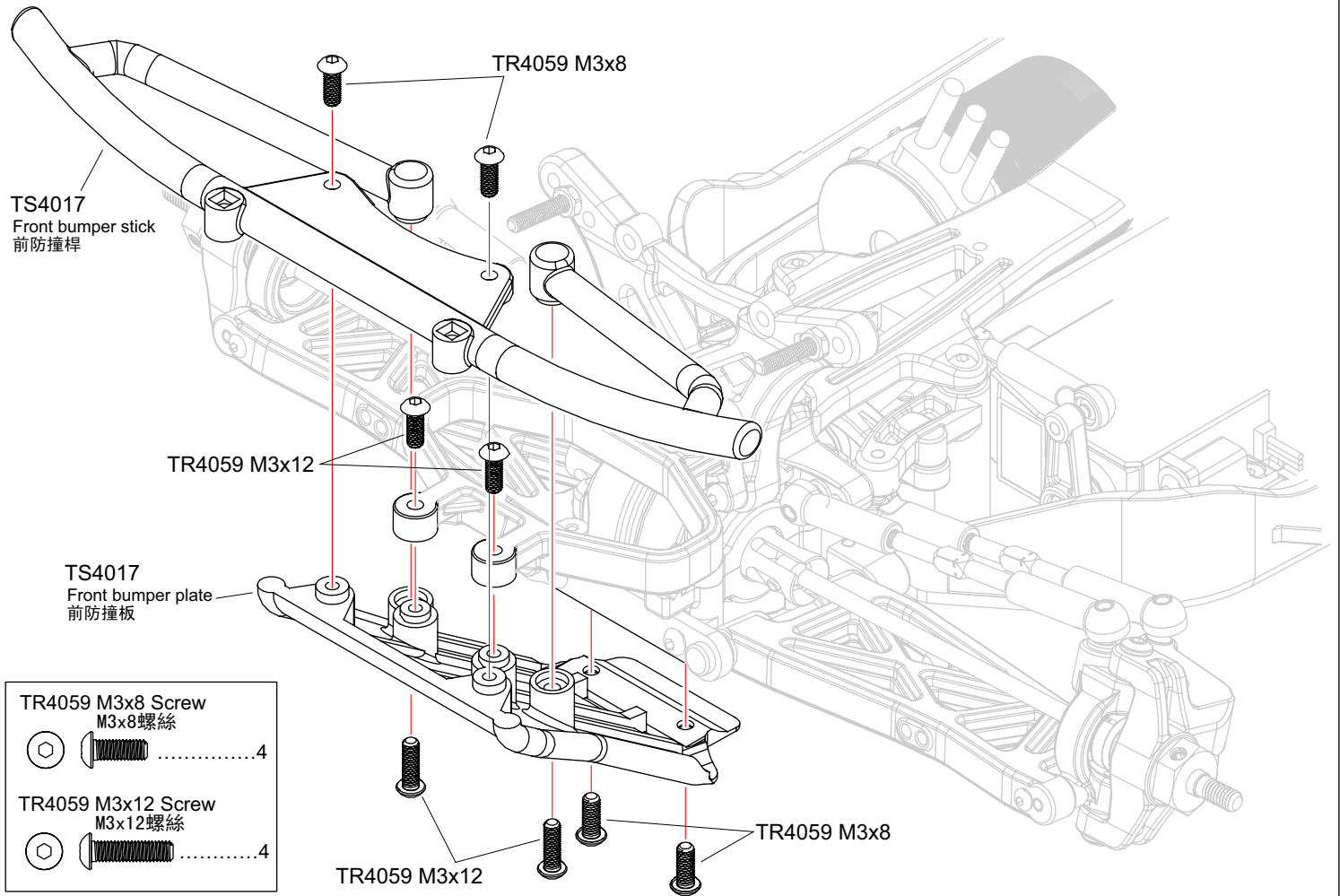
- TR4055 M3 Nut
M3螺帽2
- TR4059 M3x12 Screw
M3x12螺絲2
- TR4059 M3x14 Screw
M3x14螺絲2
- TR4059 M3x22 Screw
M3x22螺絲2



x2 Assemble as many times as specified
需組裝數量

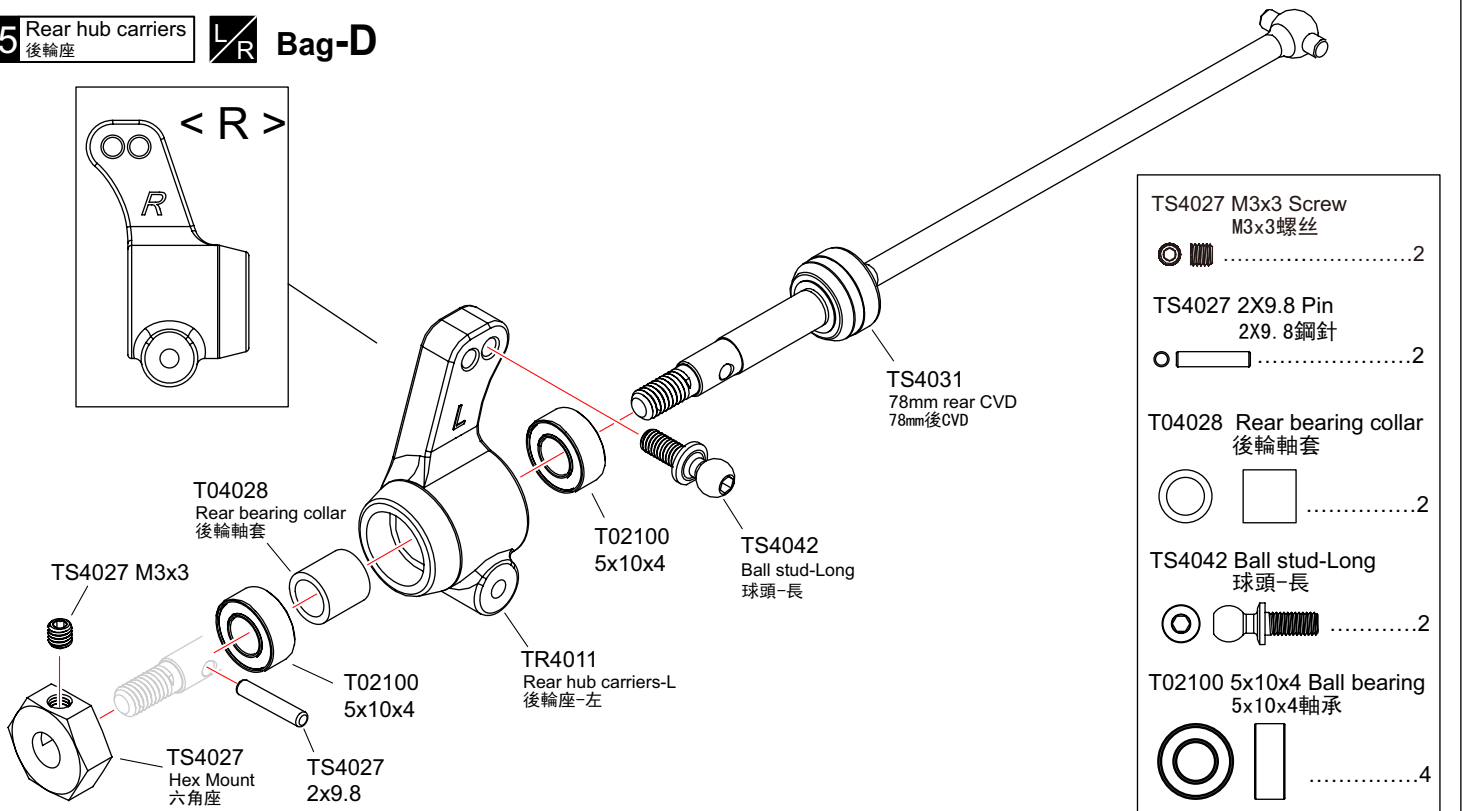
24 Front bumper
前防撞

Bag-C



25 Rear hub carriers
後輪座

Bag-D



26 Rear hub carriers
後輪座

Bag-D

TR4059 M2.5x4 Screw
M2.5x4螺絲

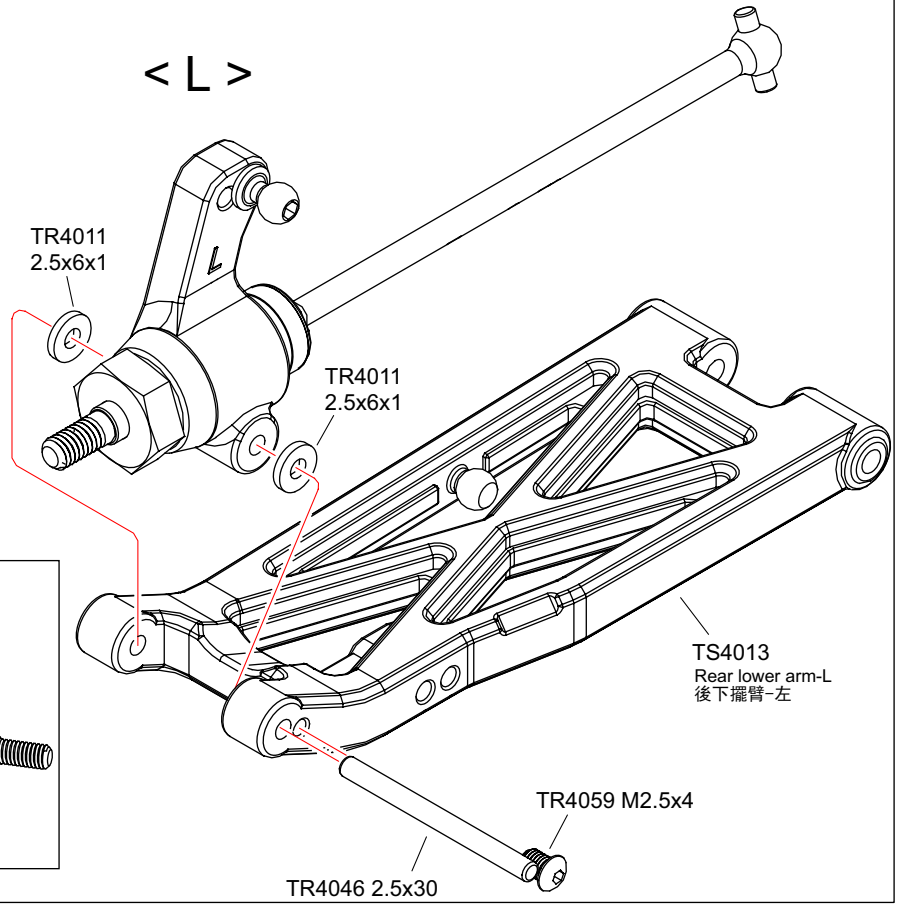
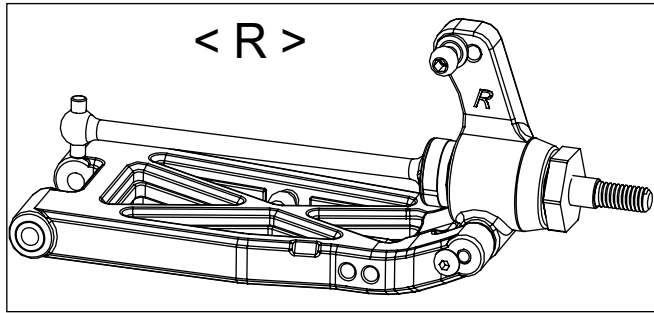
.....2

TR4046 2.5x30 Arm pin
2.5x30擺臂軸

.....2

TR4011 2.5x6x1 Washer
2.5x6x1墊片

.....4



27 Rear suspension
後懸吊系統

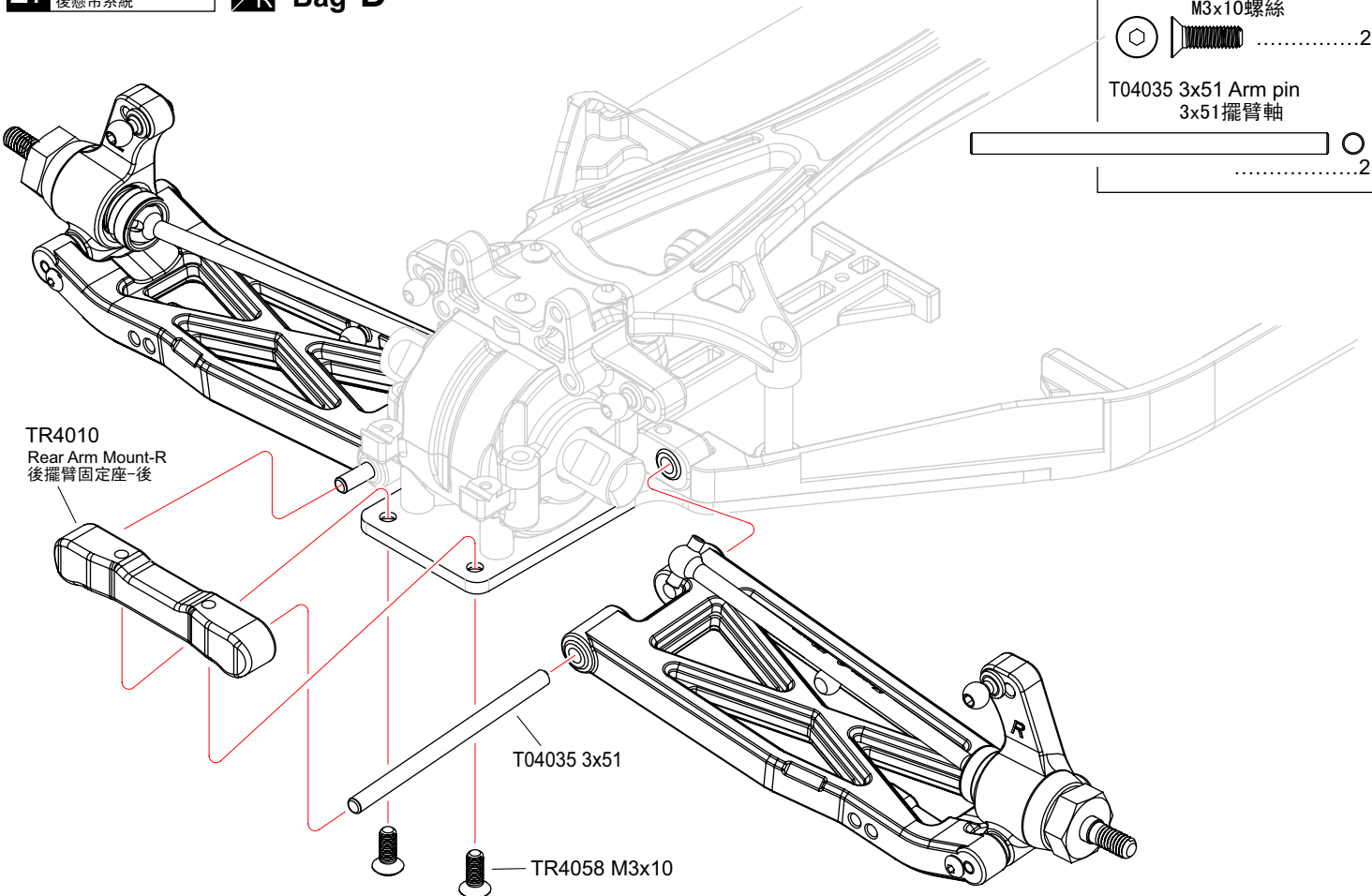
Bag-D

TR4058 M3x10 Screw
M3x10螺絲

.....2

T04035 3x51 Arm pin
3x51擺臂軸

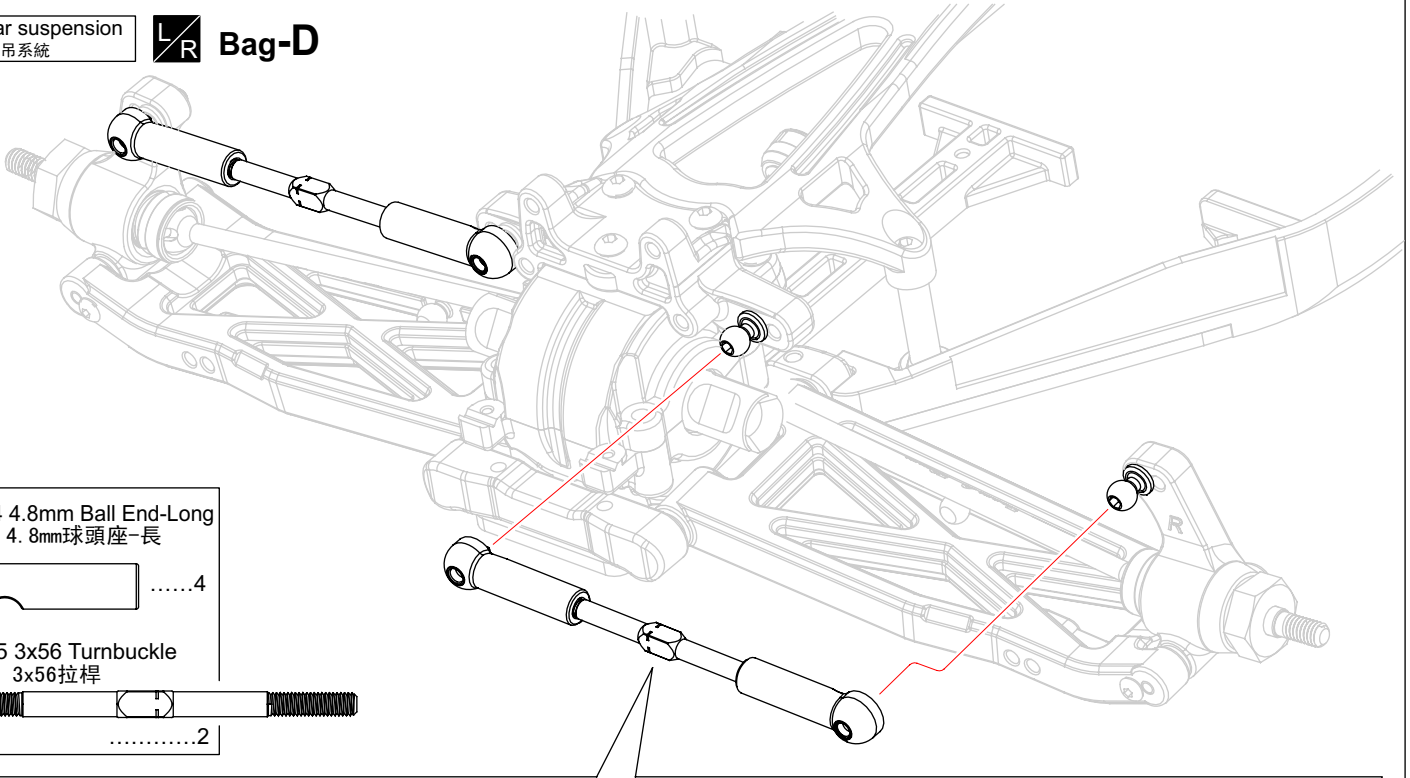
.....2



LR Assemble both Left and Right
組裝左和右

28 Rear suspension
後懸吊系統

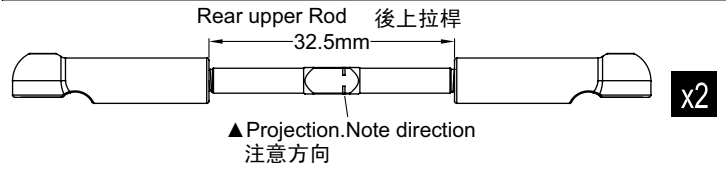
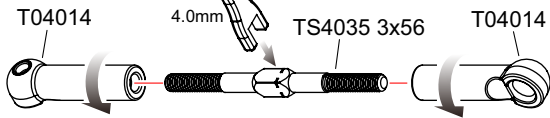
Bag-D



T04014 4.8mm Ball End-Long
4.8mm球頭座-長



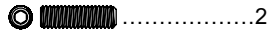
TS4035 3x56 Turnbuckle
3x56拉桿



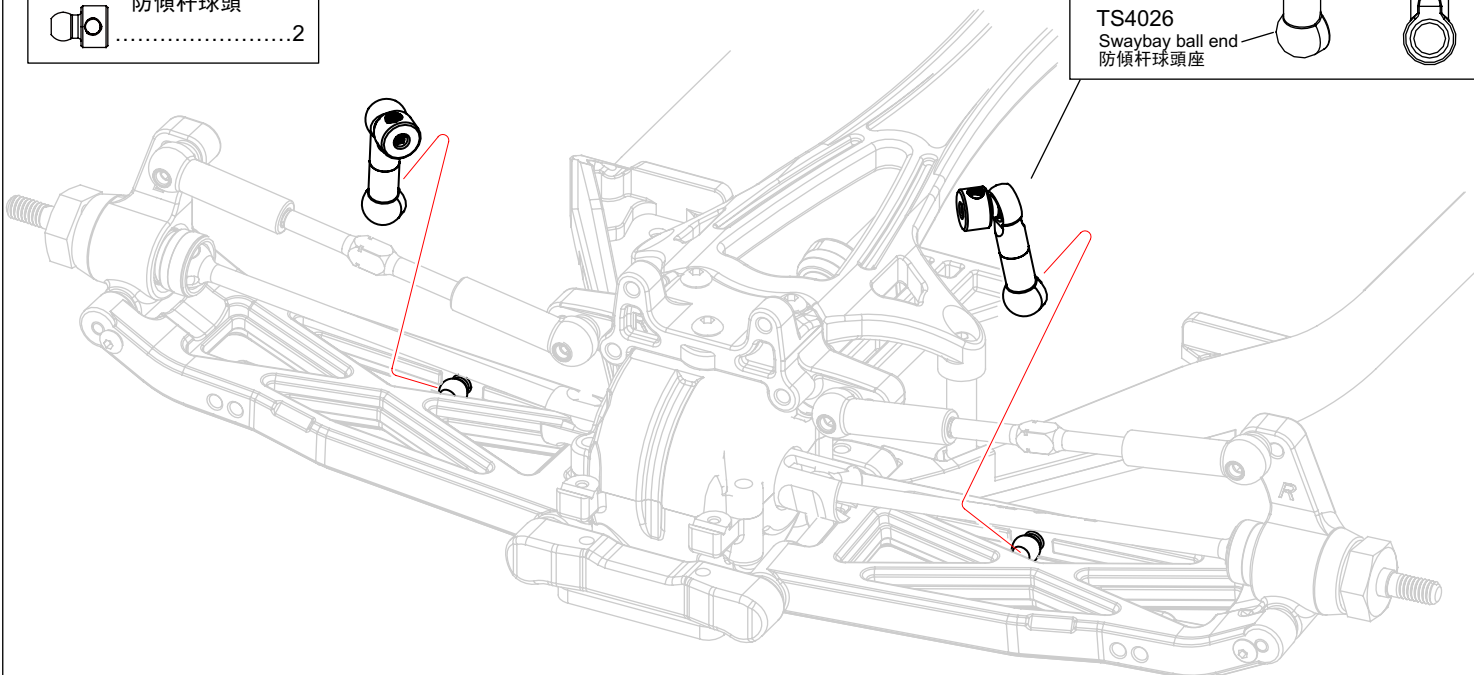
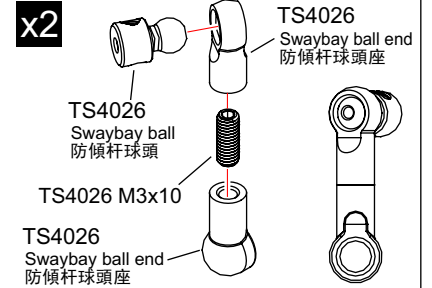
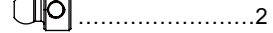
29 Rear suspension
後懸吊系統

Bag-D

TS4026 M3x10 Screw
M3x10螺絲

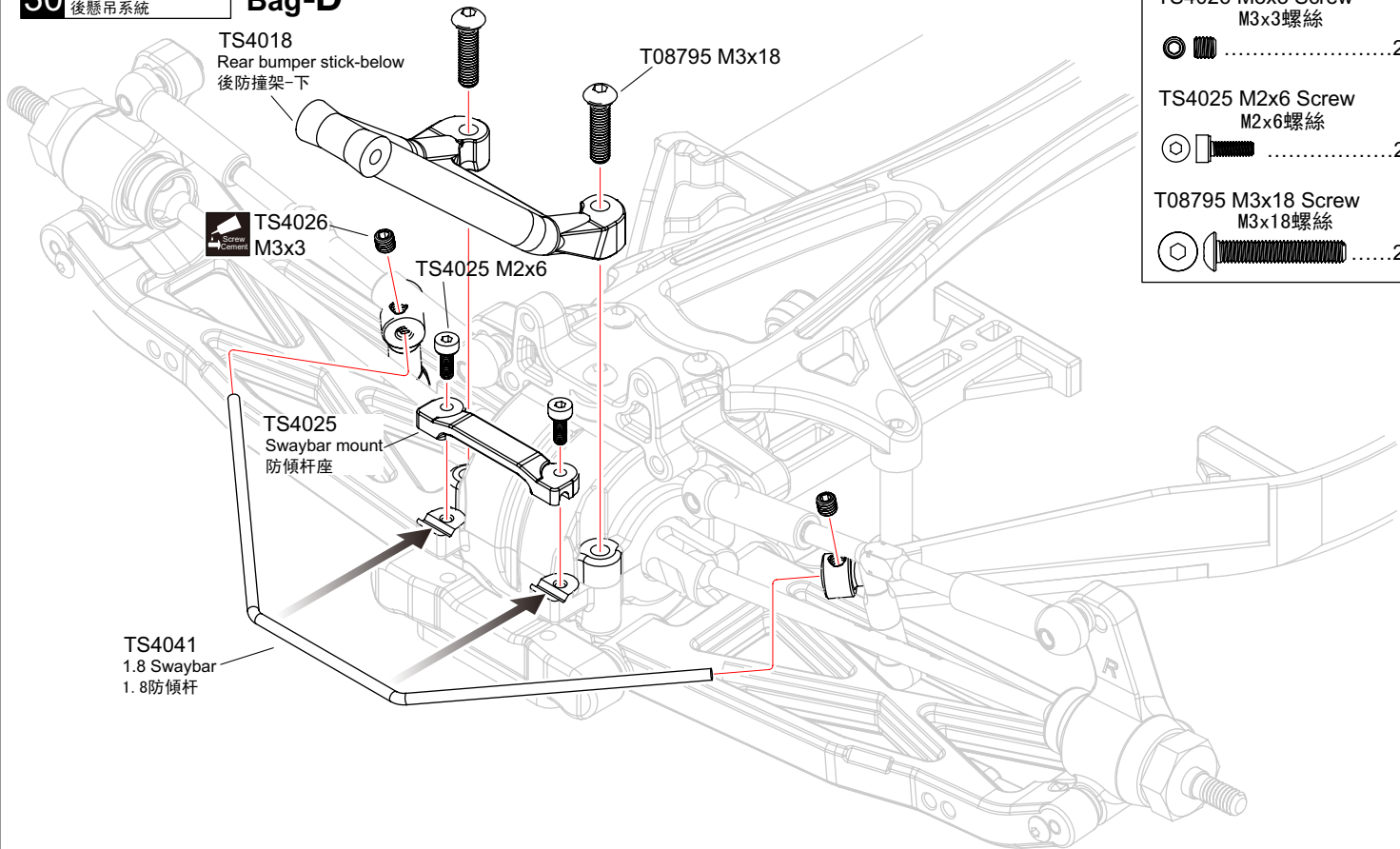


TS4026 Swaybar ball
防傾杆球頭



30 Rear suspension
後懸吊系統

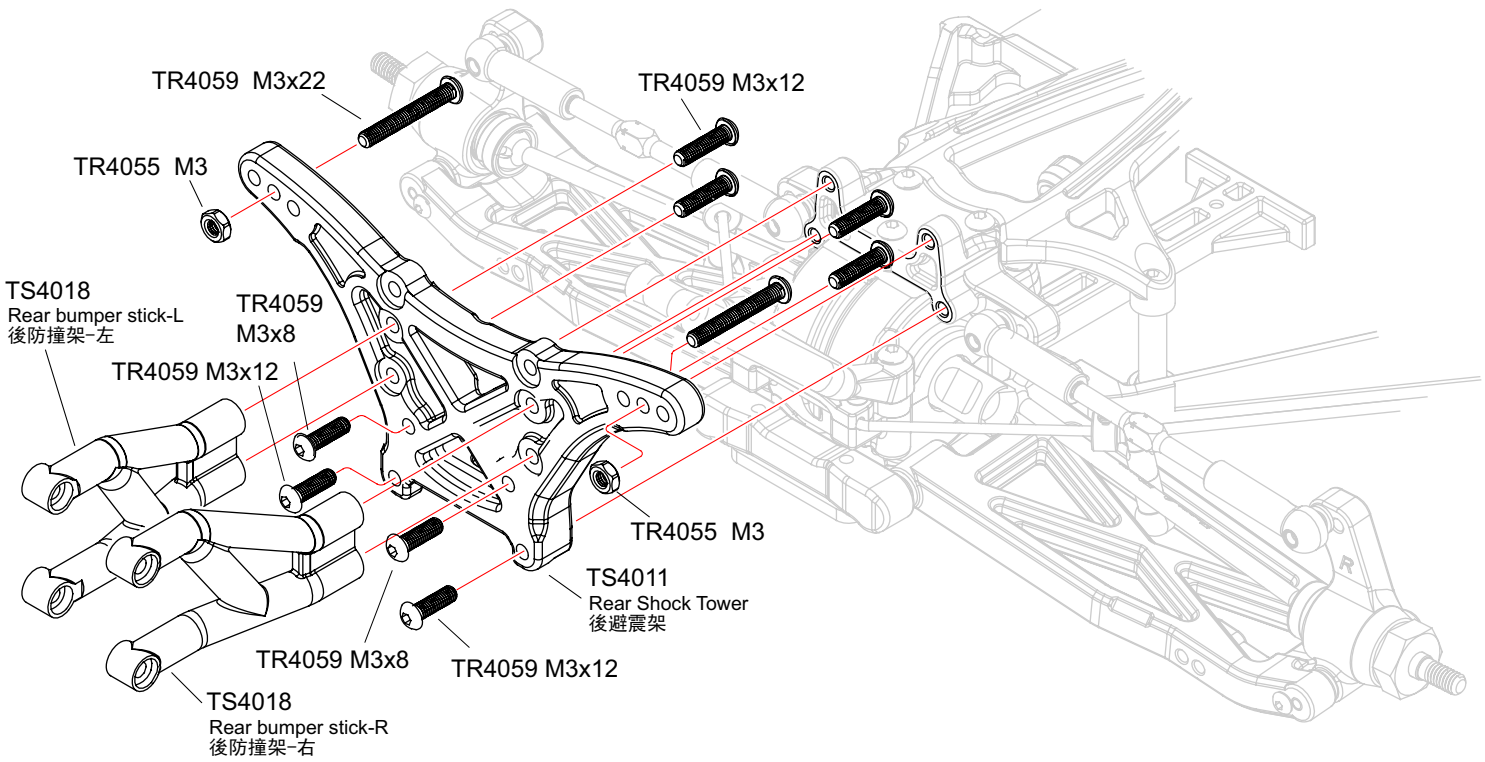
Bag-D



- TS4026 M3x3 Screw
M3x3螺絲2
- TS4025 M2x6 Screw
M2x6螺絲2
- T08795 M3x18 Screw
M3x18螺絲2

31 Rear suspension
後懸吊系統

Bag-D



- TR4055 M3 Nut
M3螺帽2
- TR4059 M3x8 Screw
M3x8螺絲2
- TR4059 M3x12 Screw
M3x12螺絲6
- TR4059 M3x22 Screw
M3x22螺絲2

Apply threadlocker(screw cement)
打螺絲膠水

32 Shock Absorber
避震器

Bag-E

Front-Short
前-短 **x2**

Rear-Short
後-短 **x2**

TG2013/TG2014 2.3 E-ring
2.3E扣

.....8

TS4023 1.2x2 Front piston
1.2x2 前活塞

.....2

TS4023 1.4x2 Rear piston
1.4x2 後活塞

.....2

T02097 2.8x1.9 O-ring
2.8x1.9-O環

.....8

T02097 3.1x1mm Washer
3.1x1墊片

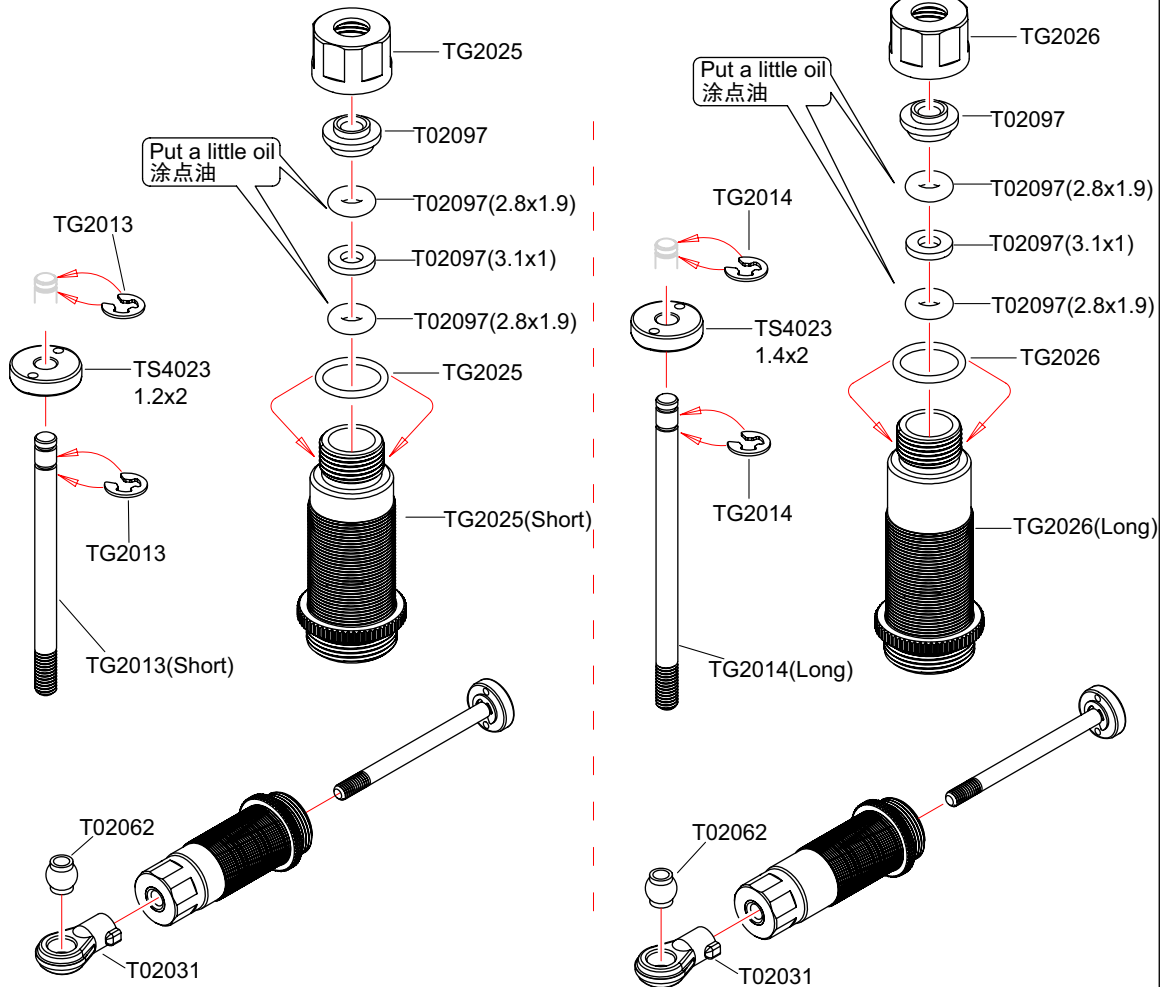
.....4

TG2025/TG2026 8x1 O-ring
8x1-O環

.....4

T02062 5.8x6 Ball stud
5.8x6球頭

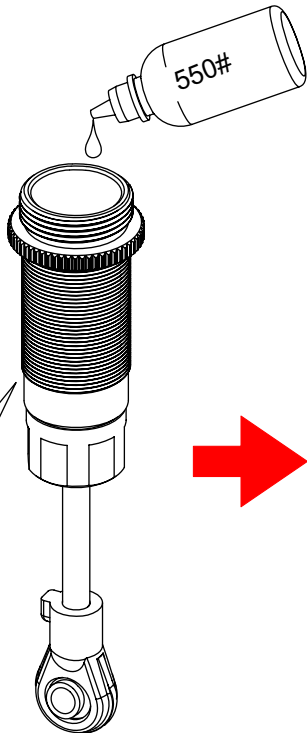
.....4



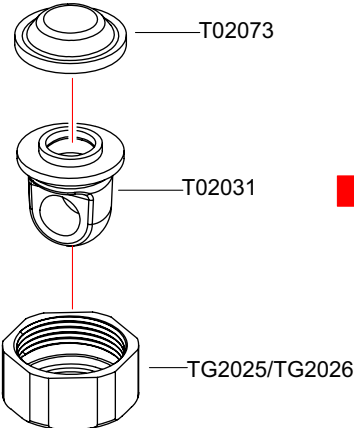
33 Shock Absorber
避震器

Bag-E

for Front(Short)
前面用(短)
for Rear(Long)
後面用(長)

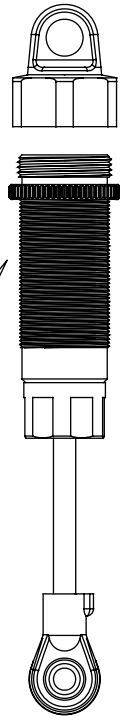


F/R **x2**



x4

for Front(Short)
前面用(短)
for Rear(Long)
後面用(長)

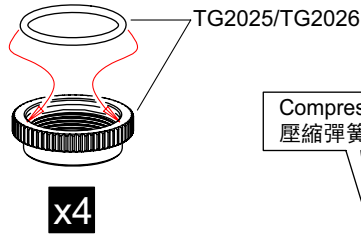


F/R **x2**

34 Shock Absorber
避震器

Bag-E

Front-Short
前-短 **x2**

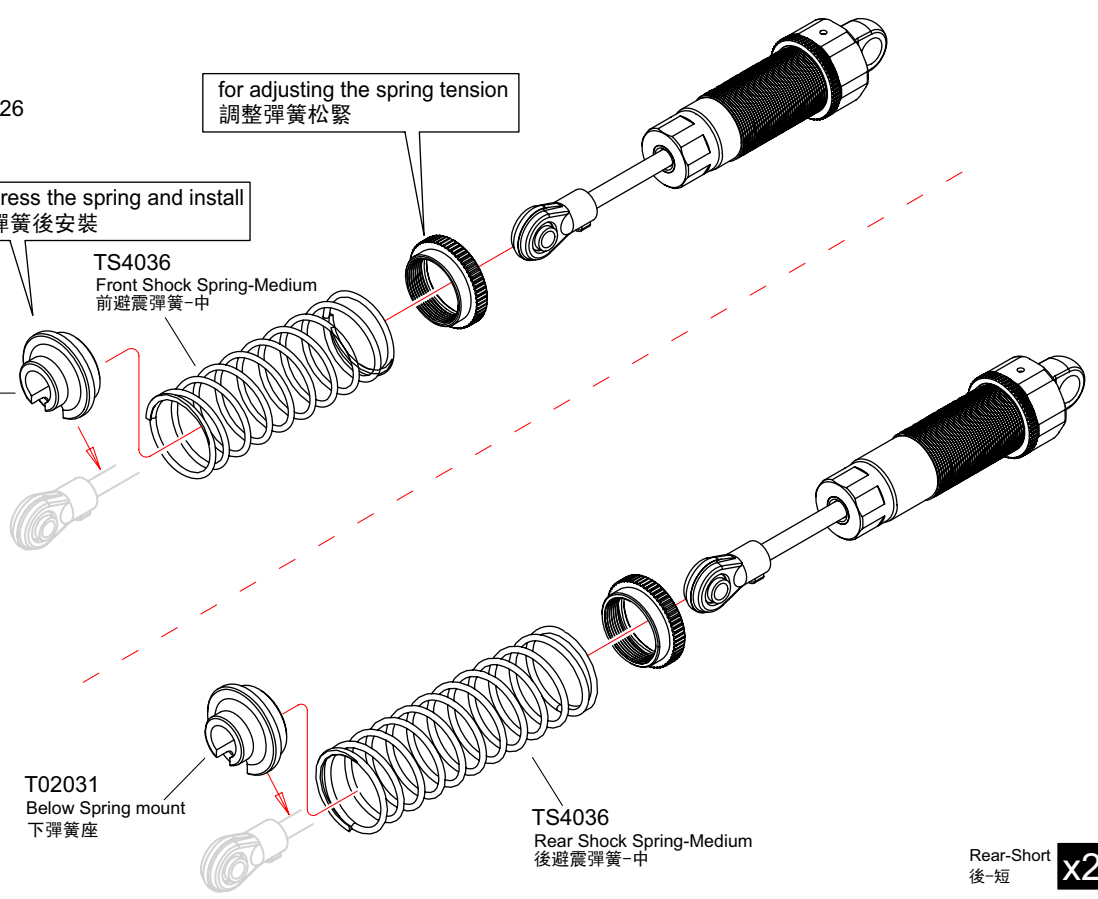


Compress the spring and install
壓縮彈簧後安裝

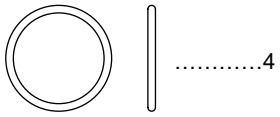
for adjusting the spring tension
調整彈簧松緊

TS4036
Front Shock Spring-Medium
前避震彈簧-中

T02031
Below Spring mount
下彈簧座



TG2025/TG2026 12x1 O-ring
12x1-O環



T02031
Below Spring mount
下彈簧座

TS4036
Rear Shock Spring-Medium
後避震彈簧-中

Rear-Short
後-短 **x2**

35 Front Shock Absorber
前避震器



Bag-E

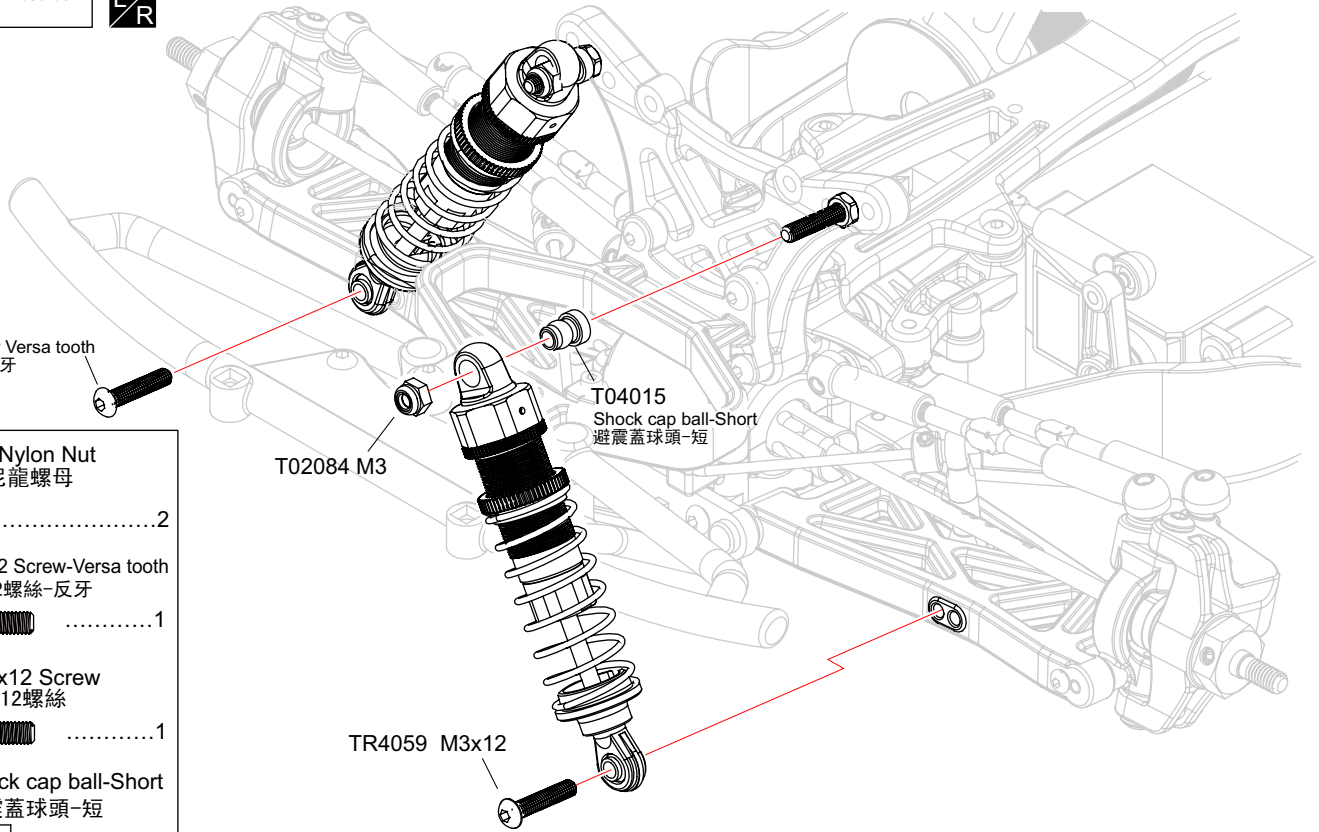
TS4045
M3x12 Screw Versa tooth
M3x12螺絲-反牙

T02084 M3 Nylon Nut
M3尼龍螺母
.....2

TS4045 M3x12 Screw-Versa tooth
M3x12螺絲-反牙
.....1

TR4059 M3x12 Screw
M3x12螺絲
.....1

T04015 Shock cap ball-Short
避震蓋球頭-短
.....2



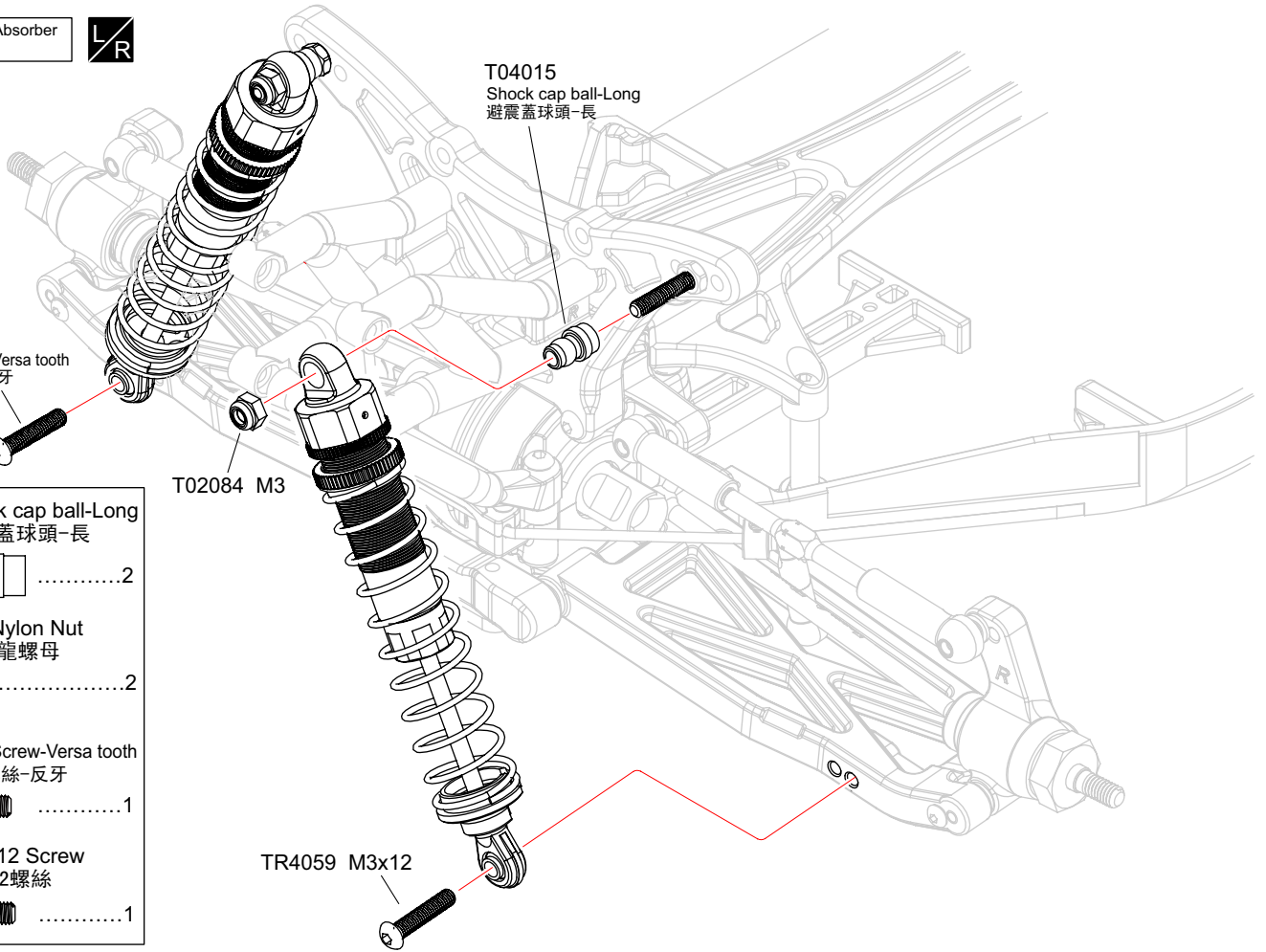
x2 Assemble as many times as specified
需組裝數量

LR Assemble both Left and Right
組裝左和右

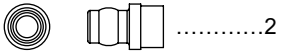
36 Rear Shock Absorber
後避震器



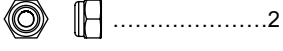
Bag-E



T04015 Shock cap ball-Long
避震蓋球頭-長



T02084 M3 Nylon Nut
M3尼龍螺母



TS4045 M3x12 Screw-Versa tooth
M3x12螺絲-反牙

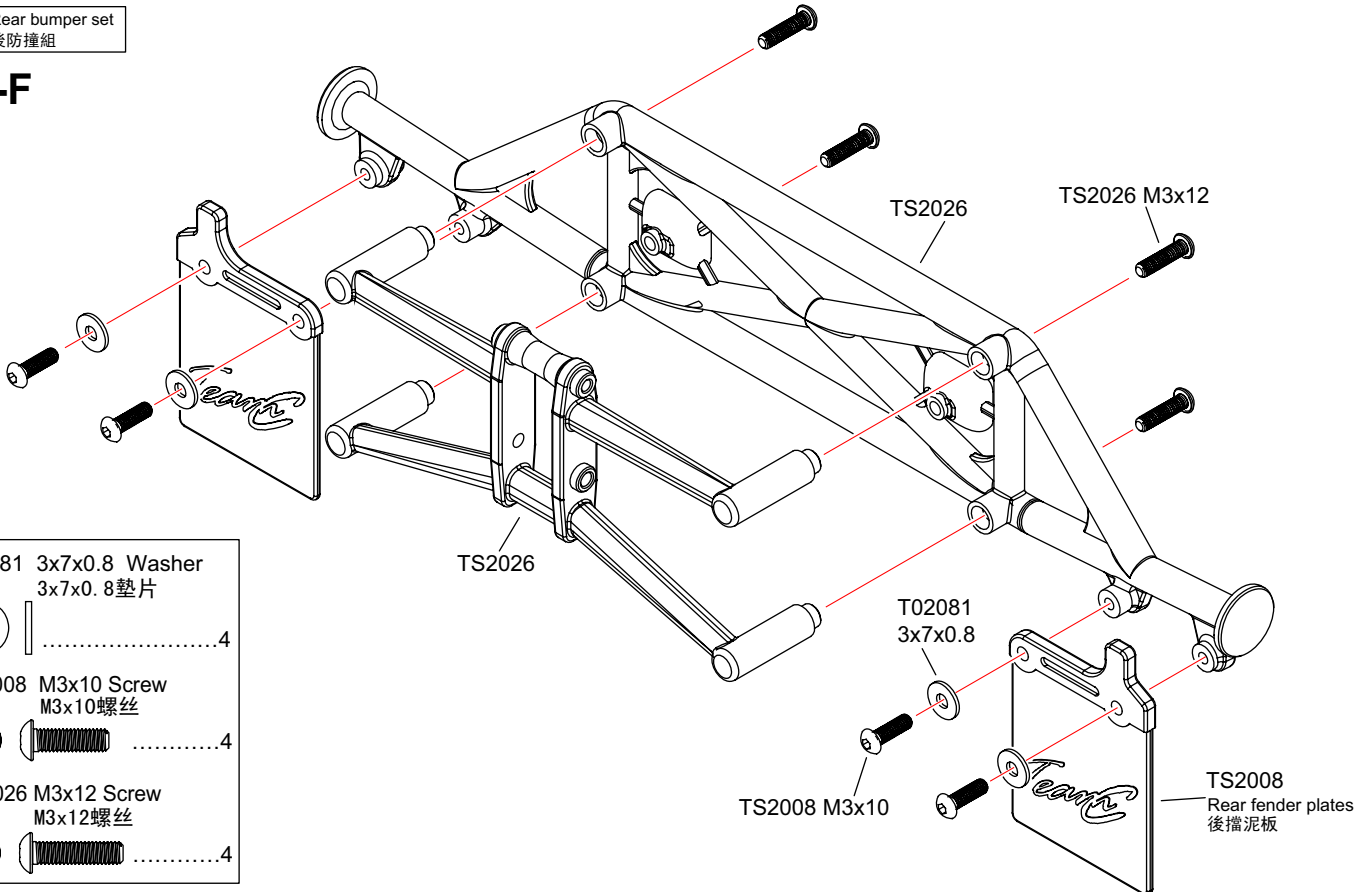


TR4059 M3x12 Screw
M3x12螺絲

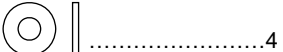


37 Rear bumper set
後防撞組

Bag-F



T02081 3x7x0.8 Washer
3x7x0.8墊片



TS2008 M3x10 Screw
M3x10螺絲



TS2026 M3x12 Screw
M3x12螺絲



TS2026

TS2026 M3x12

TS2026

T02081
3x7x0.8

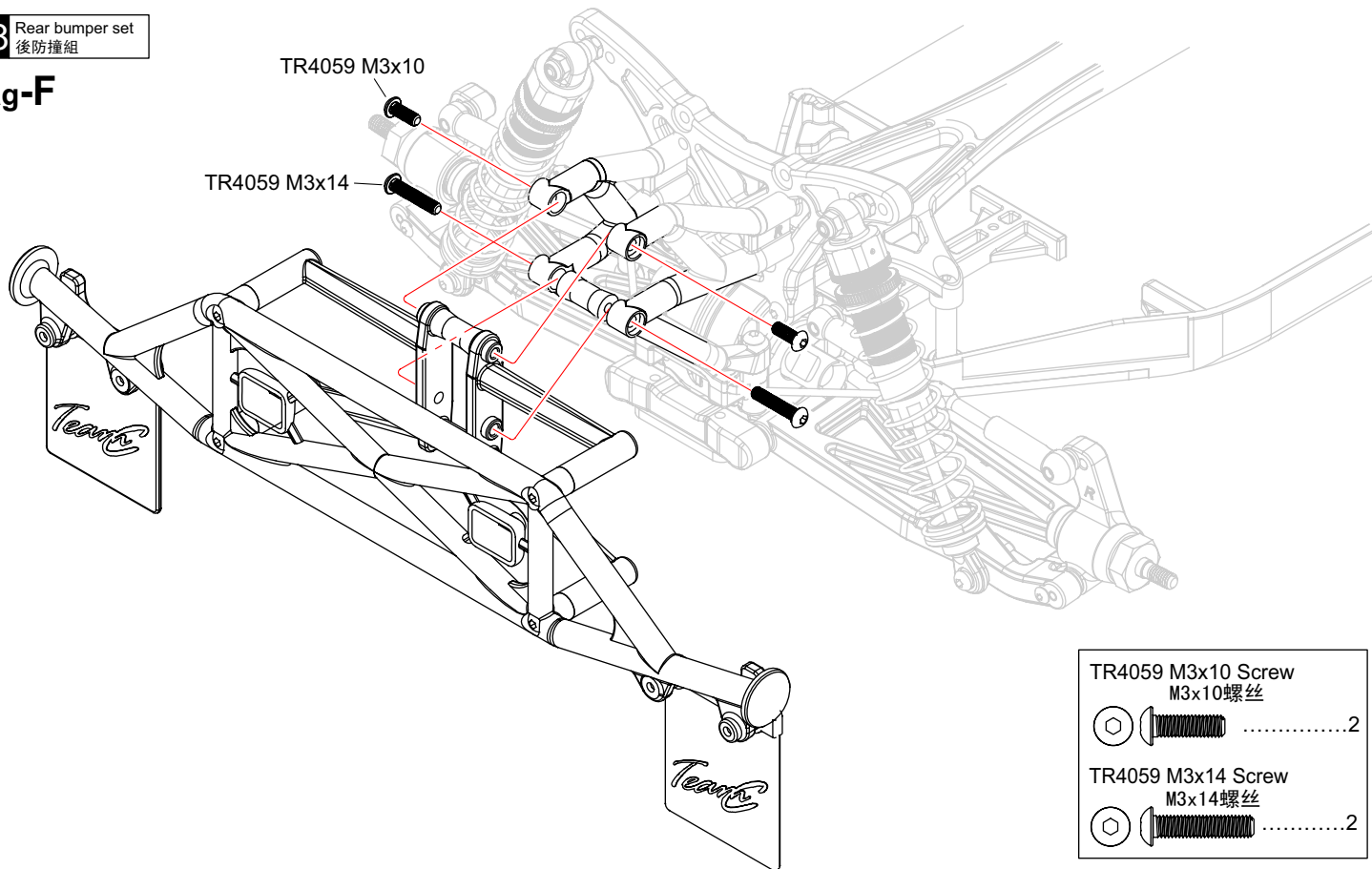
TS2008 M3x10

TS2008
Rear fender plates
後擋泥板

Assemble both Left and Right
組裝左和右

38 Rear bumper set
後防撞組

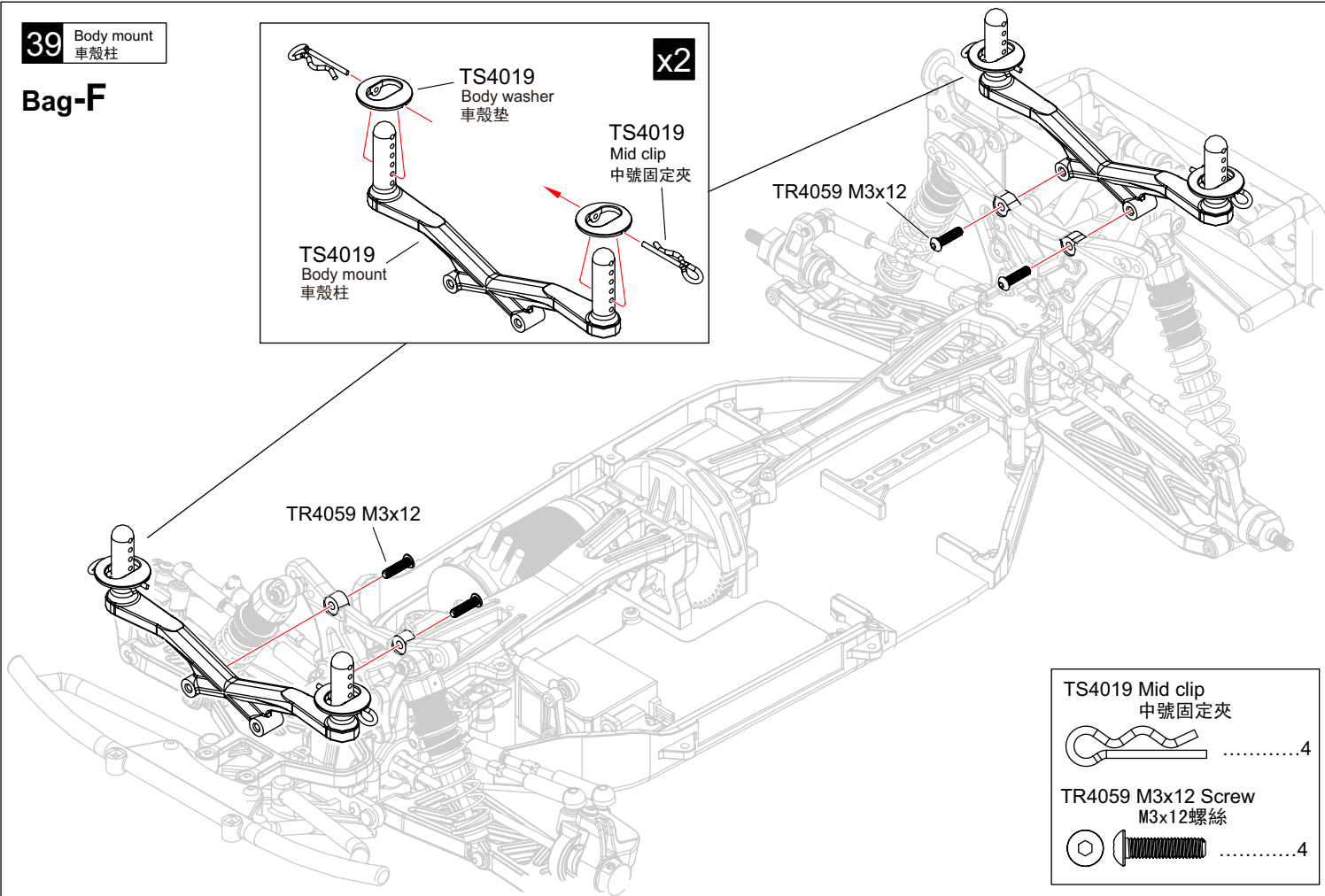
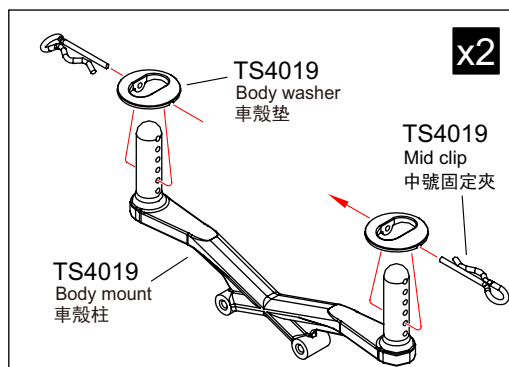
Bag-F



- TR4059 M3x10 Screw
M3x10螺絲2
- TR4059 M3x14 Screw
M3x14螺絲2

39 Body mount
車殼柱

Bag-F

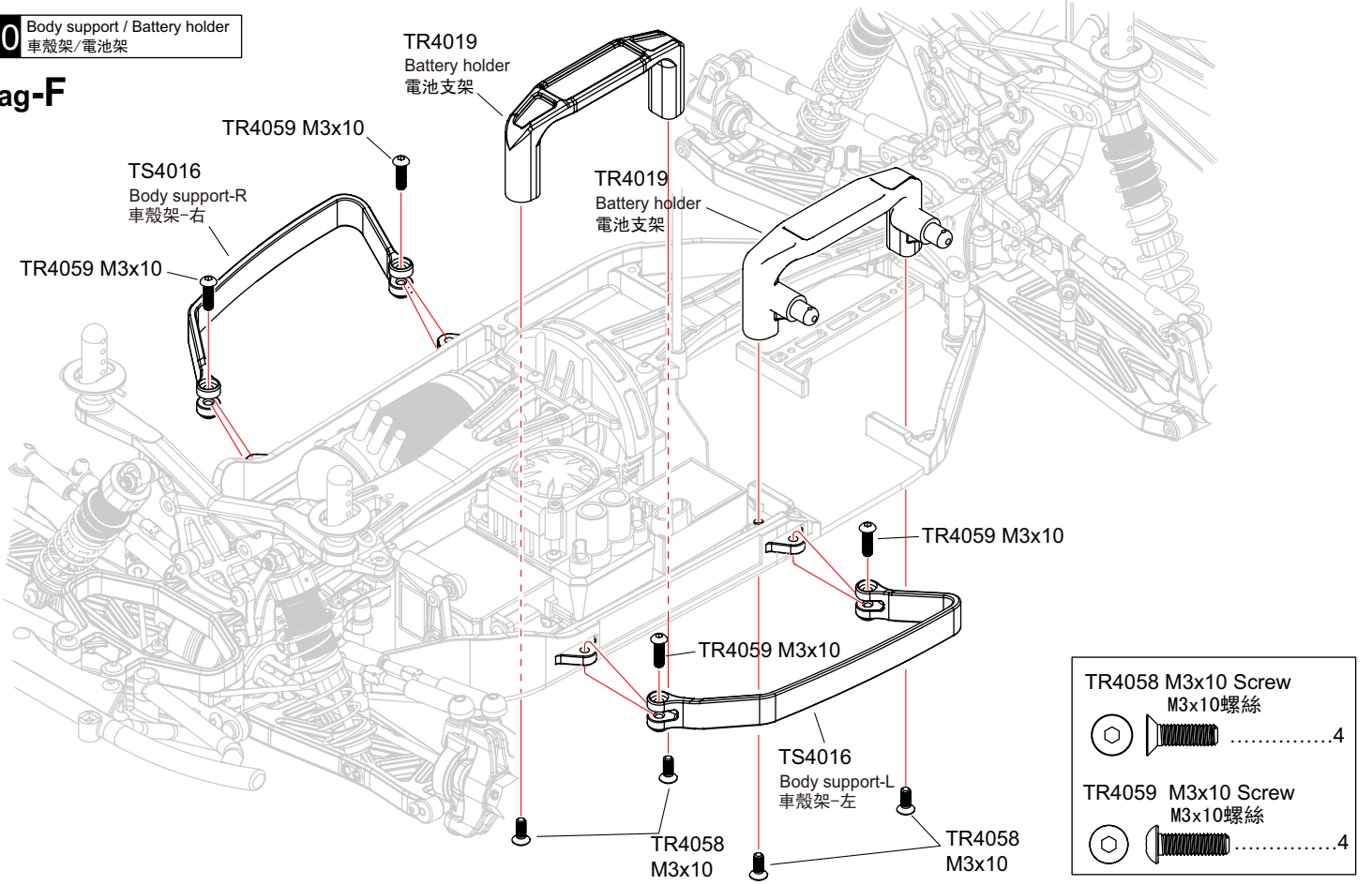


- TS4019 Mid clip
中號固定夾4
- TR4059 M3x12 Screw
M3x12螺絲4

x2 Assemble as many times as specified
需組裝數量

40 Body support / Battery holder
車殼架 / 電池架

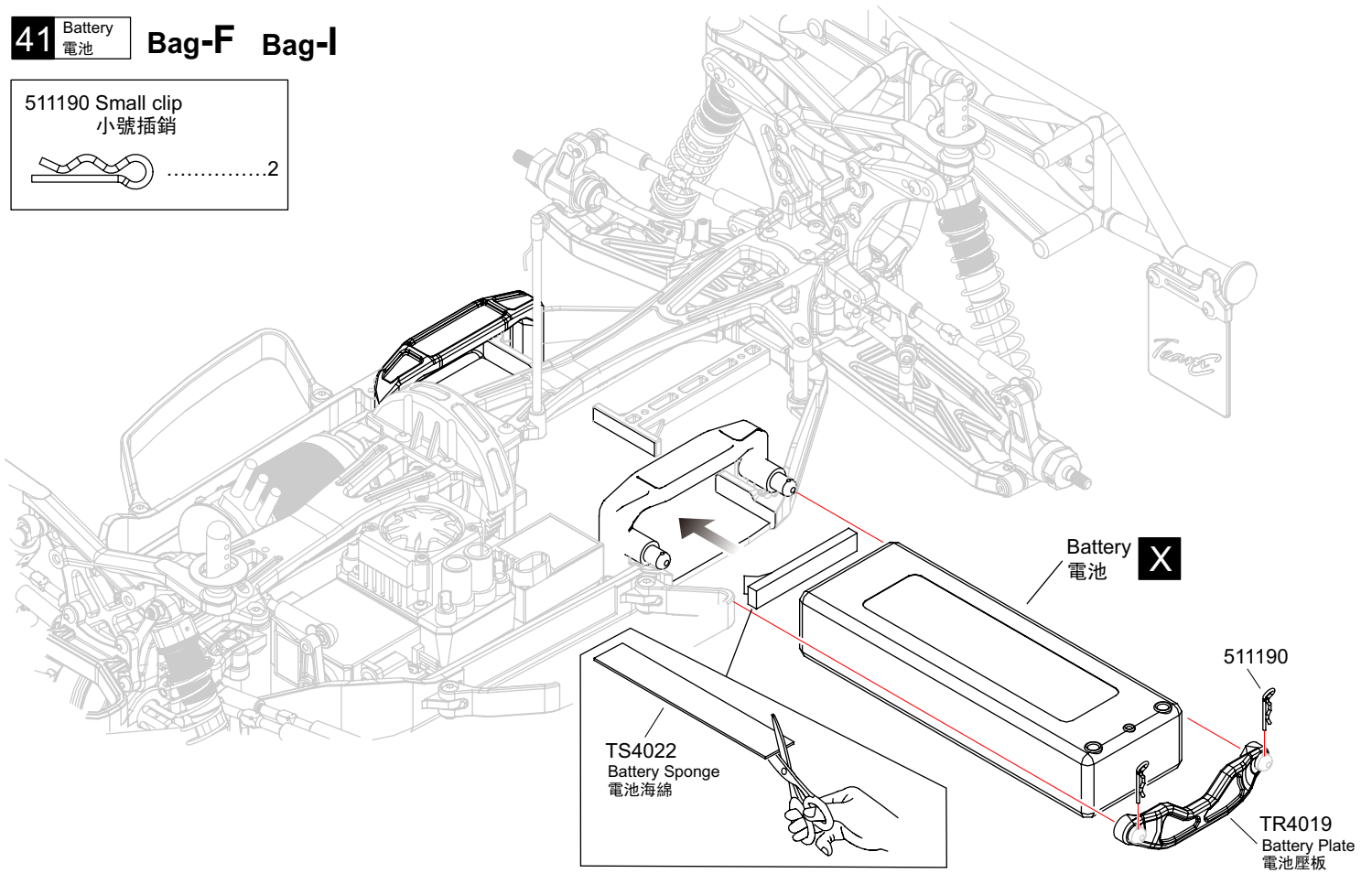
Bag-F



41 Battery
電池 **Bag-F Bag-I**

511190 Small clip
小號插銷

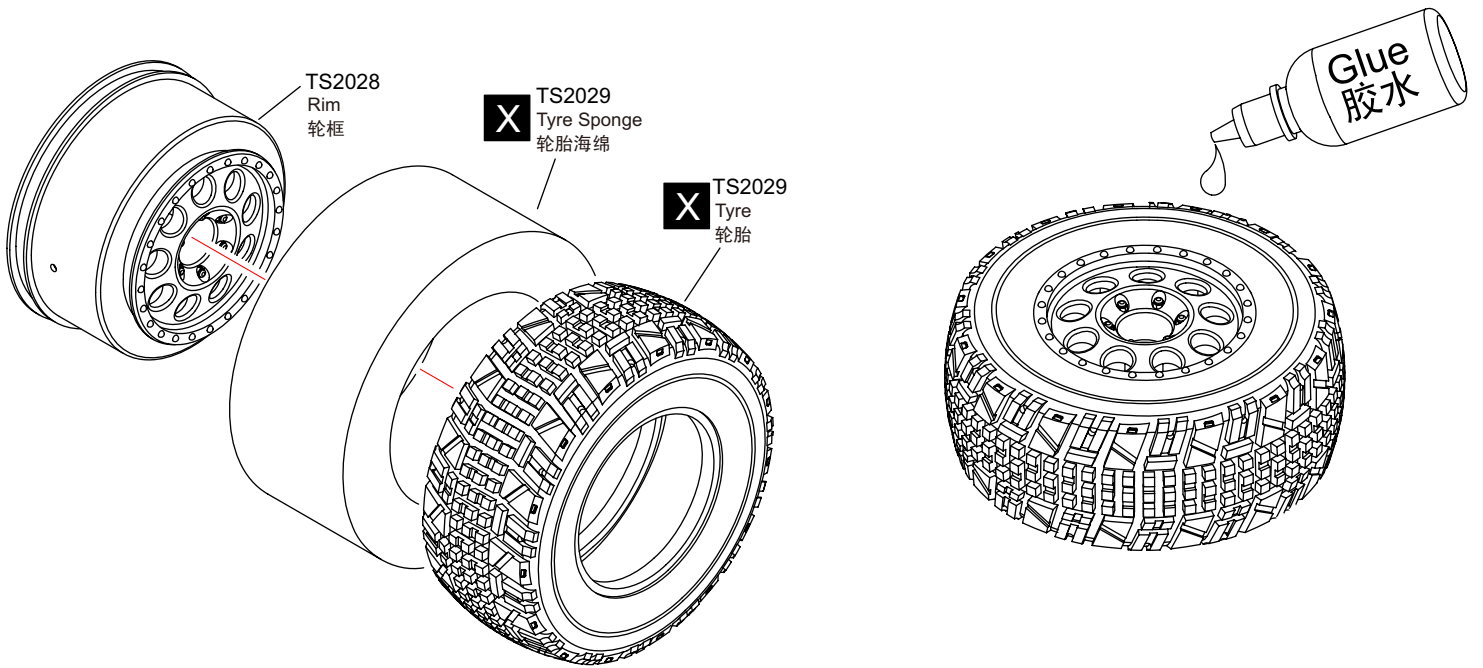
..... 2



X Must be purchased separately
需另購物品

42 Tyre
輪胎

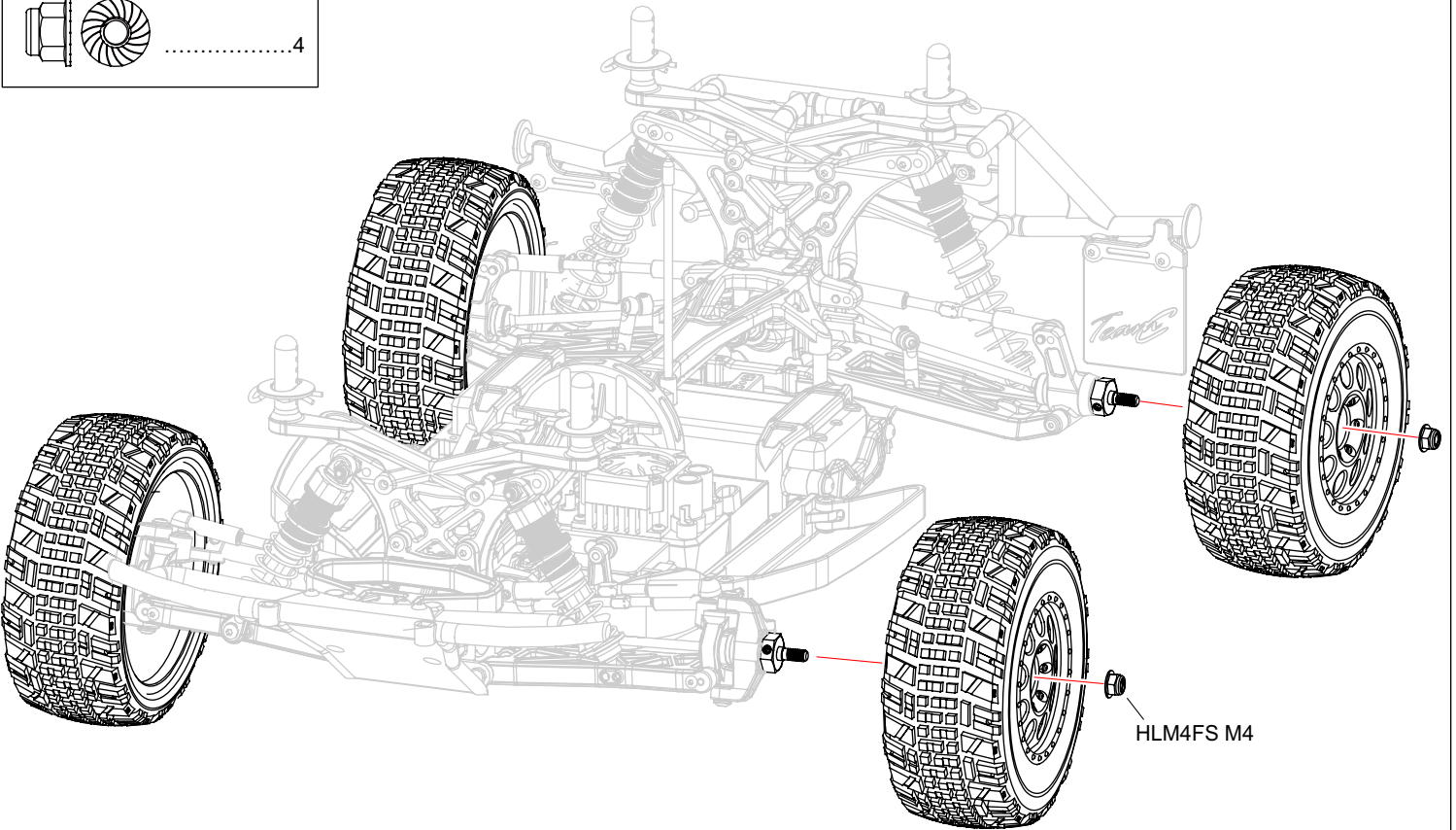
x4 Bag-G



43 Tyre
輪胎

L/R Bag-F

HLM4FS M4 locknut with flange
M4帶邊防松螺母



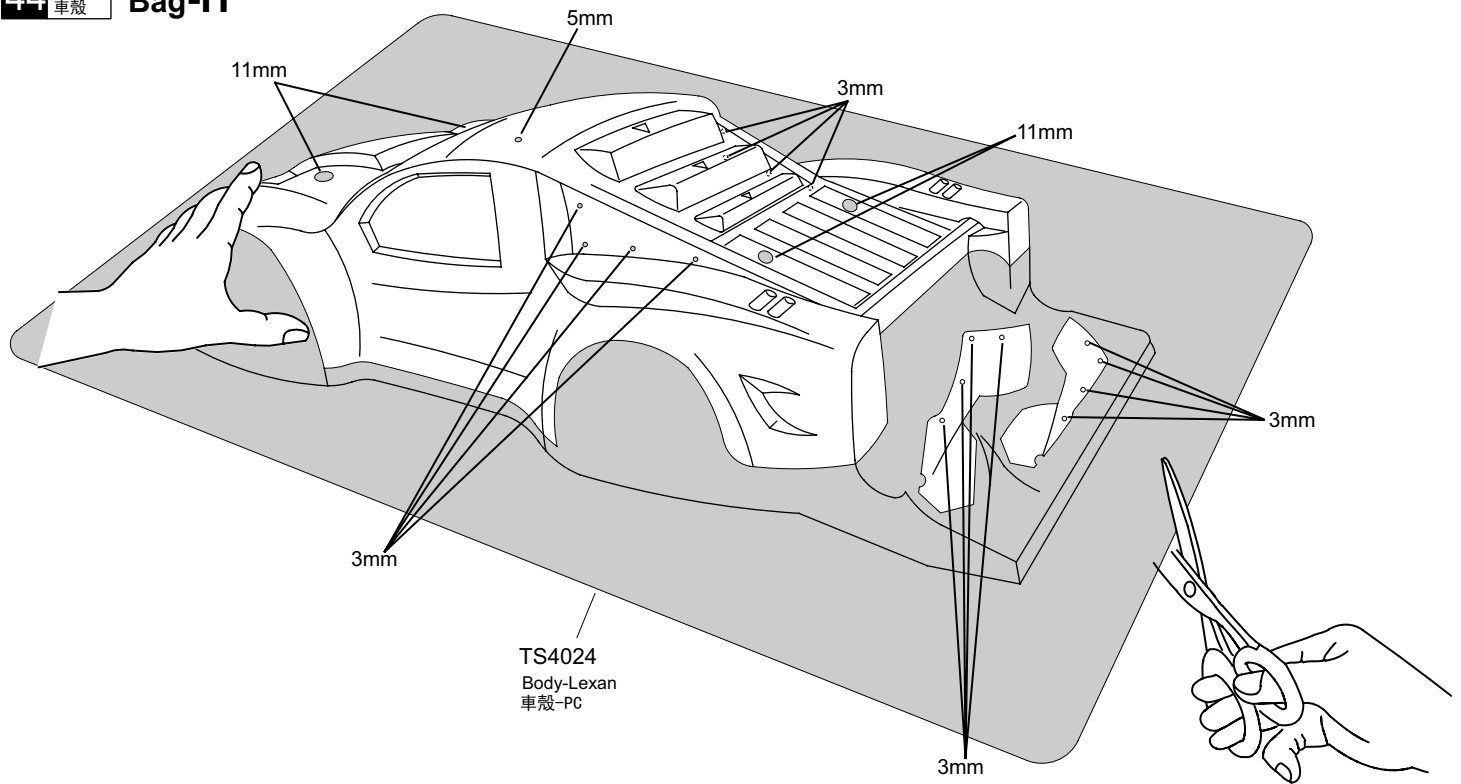
L/R Assemble both Left and Right
組裝左和右

x4 Assemble as many times as specified
需組裝數量

X Must be purchased separately
需另購物品

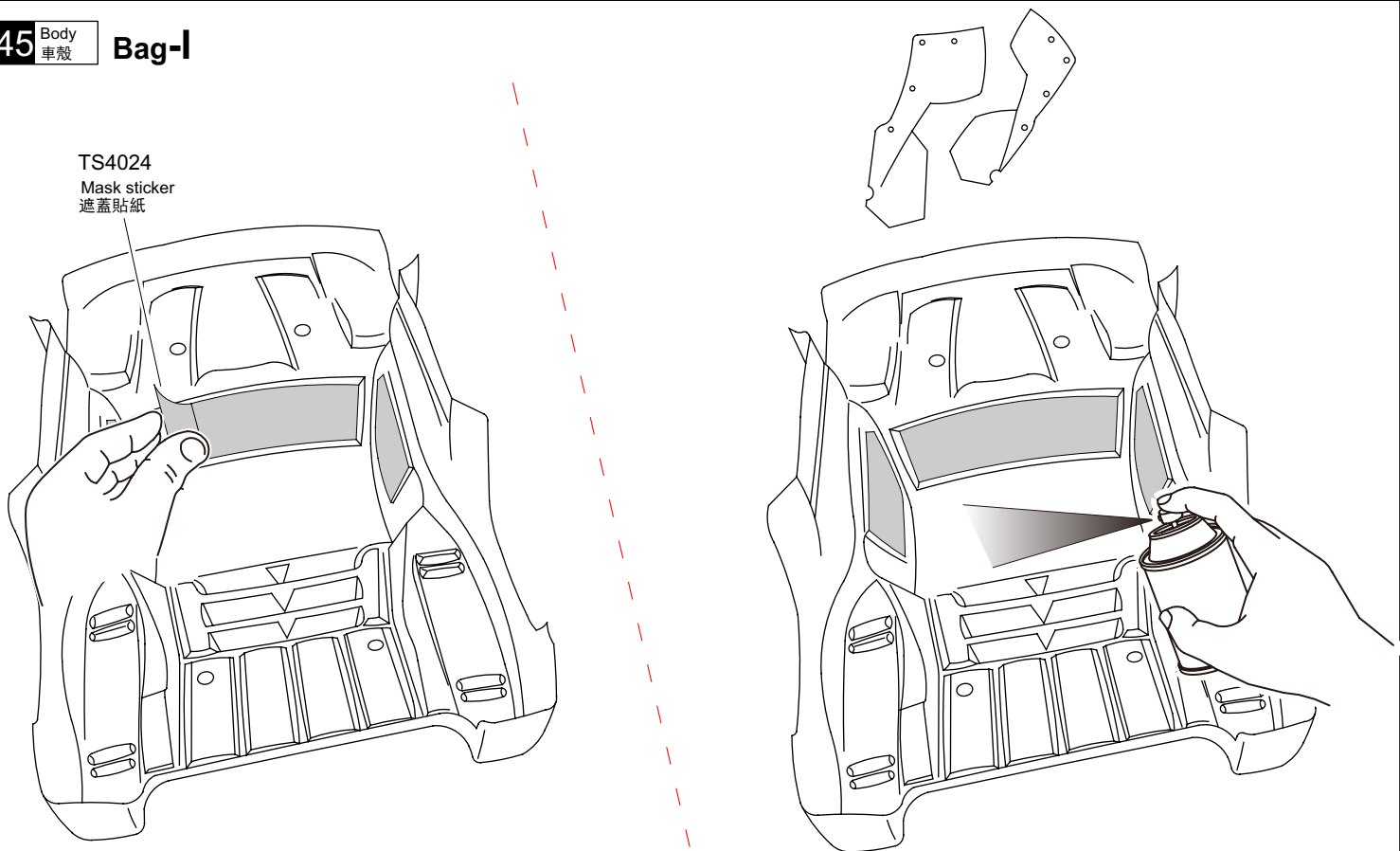
44 Body
車殼

Bag-H



45 Body
車殼

Bag-I

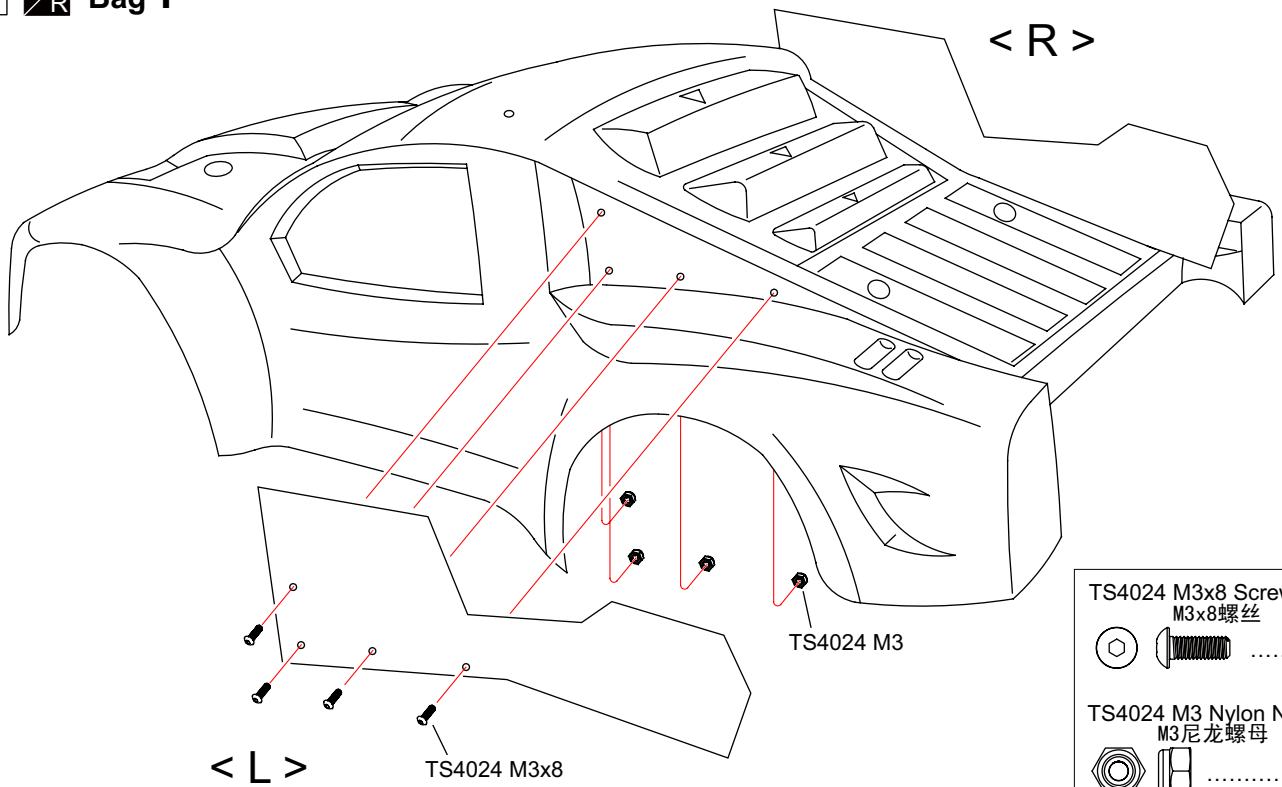


Mask the windows from the inside.
在車窗內壁貼上遮蓋貼紙。

Paint the body shell from the inside
using spray colors.
在車殼內壁噴漆。

46 Body
車殼

L/R Bag-F



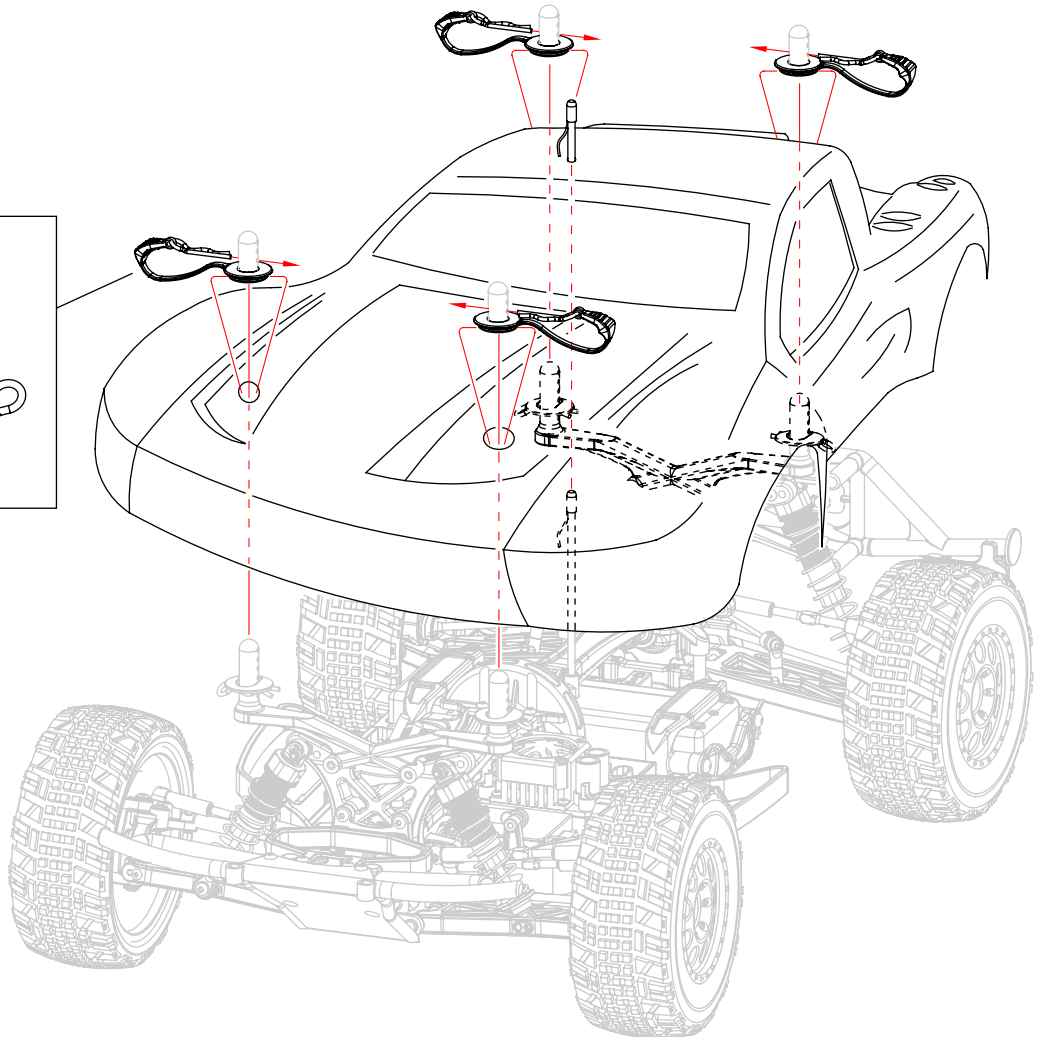
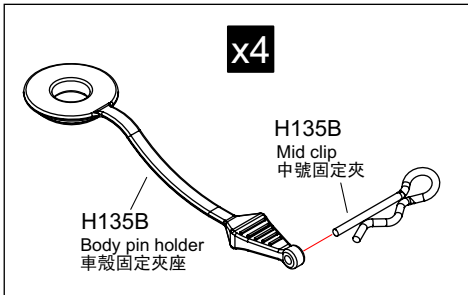
TS4024 M3x8 Screw
M3x8 螺丝8

TS4024 M3 Nylon Nut
M3 尼龙螺母8

47 Body
車殼

L/R Bag-F

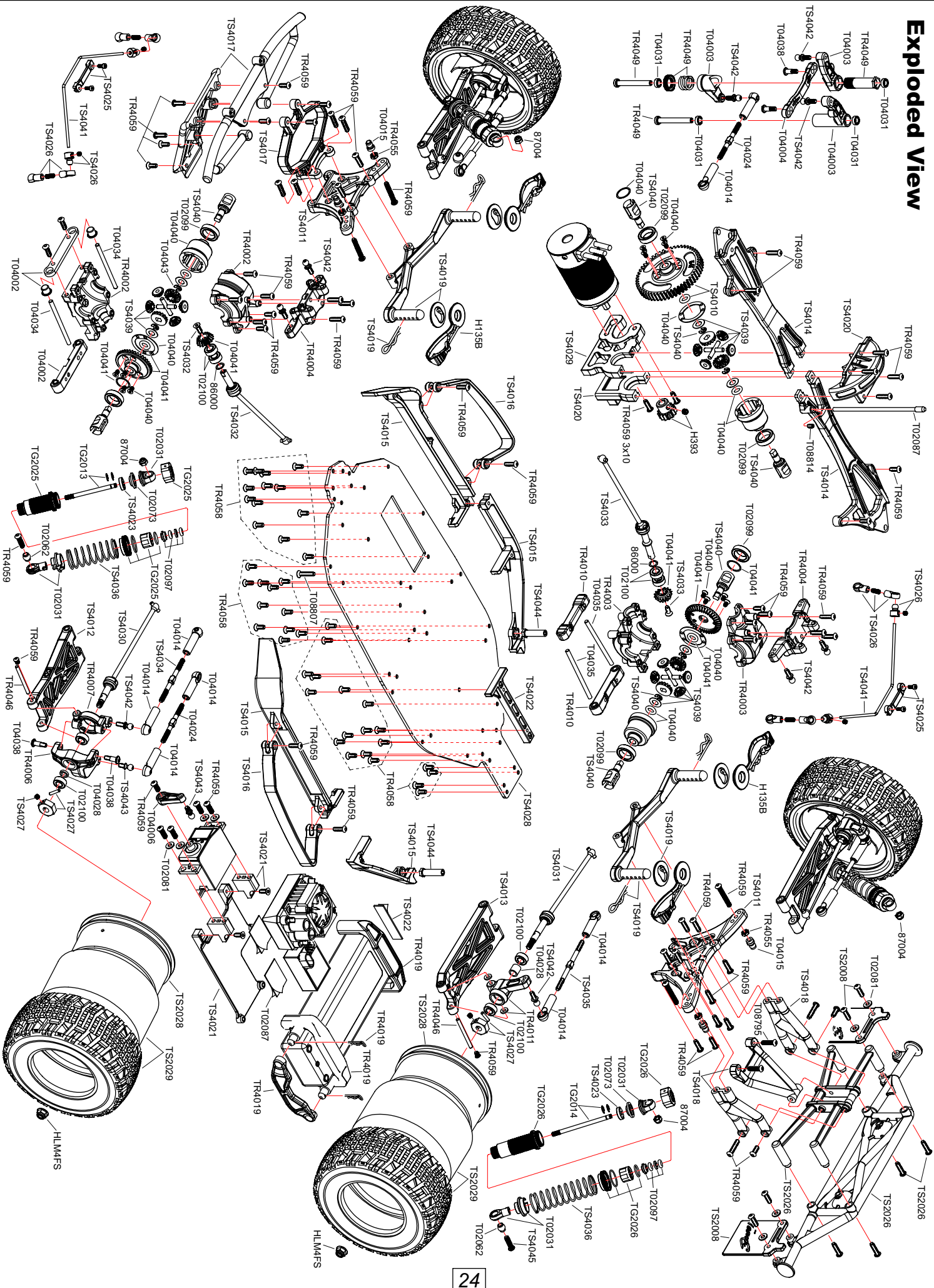
H135B Mid clip
中號固定夾4



L/R Assemble Both Left And Right
組裝左和右

x4 Assemble as many times as specified
需組裝數量

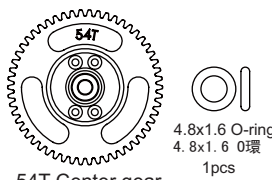
Exploded View



Parts list for TS4 1/10 4WD Short-Course-1

TS4 1/10 四驅短途卡車配件包-1

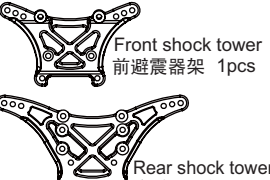
TS4010



4.8x1.6 O-ring
4.8x1.6 O環 1pcs

54T Center gear
54T中差齒 1pcs

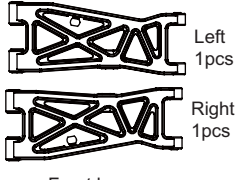
TS4011



Front shock tower
前避震器架 1pcs

Rear shock tower
後避震器架 1pcs

TS4012

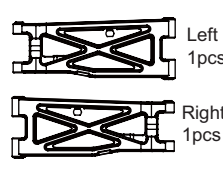


Left 1pcs

Right 1pcs

Front lower arm
前下擺臂

TS4013

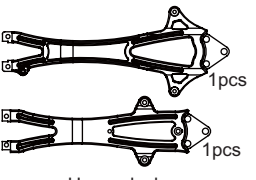


Left 1pcs

Right 1pcs

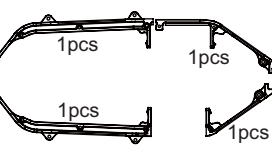
Rear lower arm
後下擺臂

TS4014



Upper deck
二樓板 1pcs

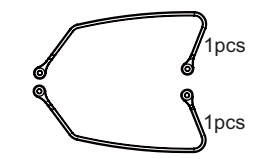
TS4015



1pcs 1pcs 1pcs 1pcs

Side plate
側板

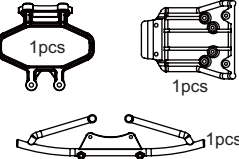
TS4016



1pcs 1pcs

Body support
車殼架

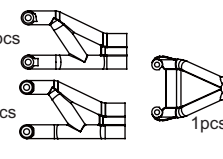
TS4017



1pcs 1pcs 1pcs

Front Bumper set
前防撞組

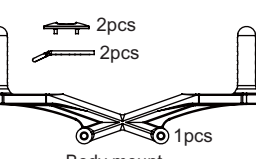
TS4018



1pcs 1pcs 1pcs

Rear bumper stick
後防撞架

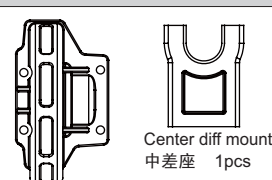
TS4019



2pcs 2pcs 1pcs

Body mount
車殼柱

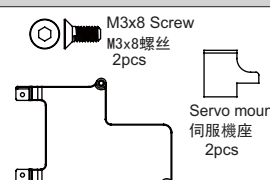
TS4020



Center diff upper plate
中差頂板 1pcs

Center diff mount
中差座 1pcs

TS4021

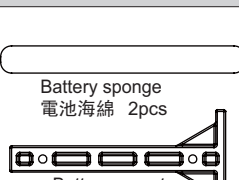


M3x8 Screw
M3x8螺絲 2pcs

Servo mount
伺服機座 2pcs

Electronic equipment mount
電子設備座 1pcs

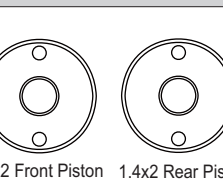
TS4022



Battery sponge
電池海綿 2pcs

Battery mount
電池座 1pcs

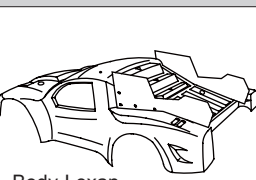
TS4023



1.2x2 Front Piston
1.2x2前活塞 2pcs

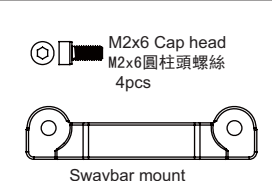
1.4x2 Rear Piston
1.4x2後活塞 2pcs

TS4024



Body-Lexan
車殼-PC 1pcs

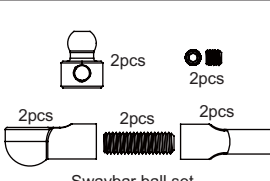
TS4025



M2x6 Cap head
M2x6圓柱頭螺絲 4pcs

Swaybar mount
防傾桿座 2pcs

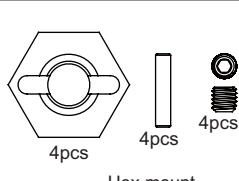
TS4026



2pcs 2pcs 2pcs

Swaybar ball set
防傾桿球頭組

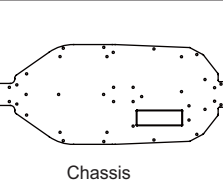
TS4027



4pcs 4pcs 4pcs

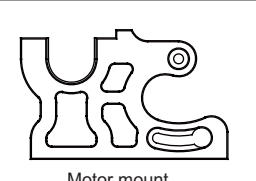
Hex mount
六角座

TS4028



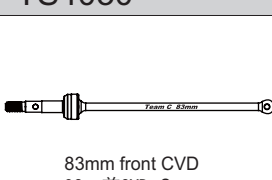
Chassis
底盤 1pcs

TS4029



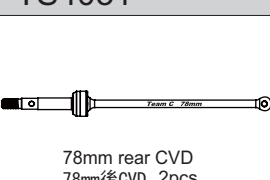
Motor mount
馬達座 1pcs

TS4030



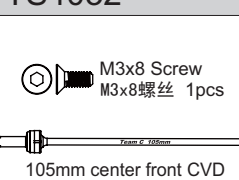
83mm front CVD
83mm前CVD 2pcs

TS4031



78mm rear CVD
78mm後CVD 2pcs

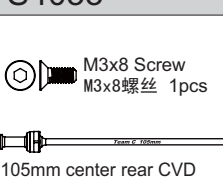
TS4032



M3x8 Screw
M3x8螺絲 1pcs

105mm center front CVD
105mm中前CVD 1pcs

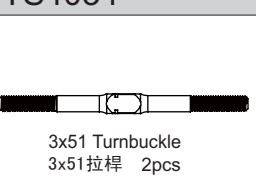
TS4033



M3x8 Screw
M3x8螺絲 1pcs

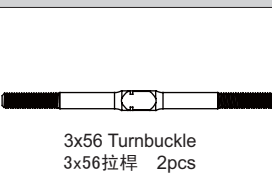
105mm center rear CVD
105mm中後CVD 1pcs

TS4034



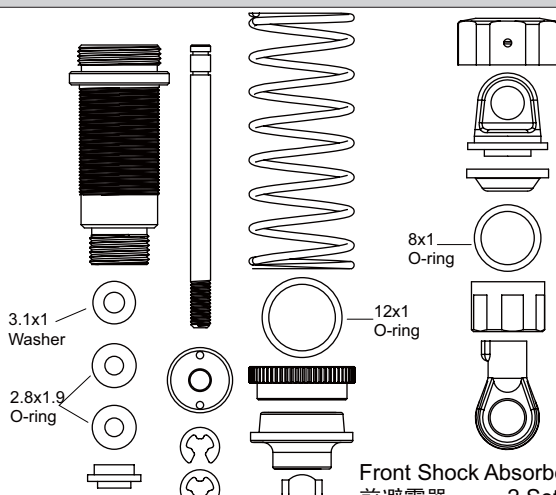
3x51 Turnbuckle
3x51拉桿 2pcs

TS4035



3x56 Turnbuckle
3x56拉桿 2pcs

TS4037



3.1x1 Washer

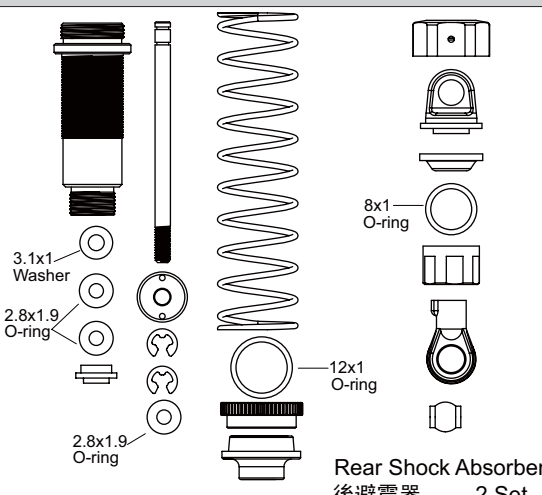
2.8x1.9 O-ring

8x1 O-ring

12x1 O-ring

Front Shock Absorber
前避震器 2 Set

TS4038



3.1x1 Washer

2.8x1.9 O-ring

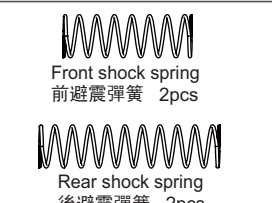
2.8x1.9 O-ring

8x1 O-ring

12x1 O-ring

Rear Shock Absorber
後避震器 2 Set

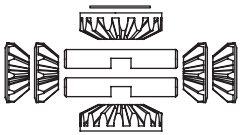
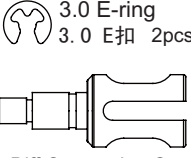
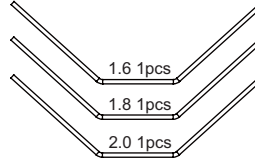
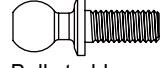



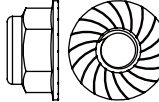

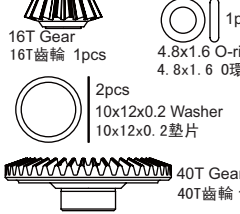
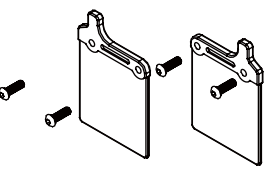
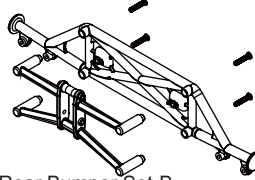
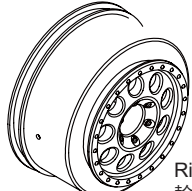
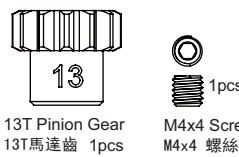
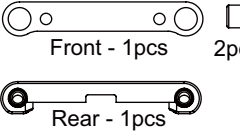
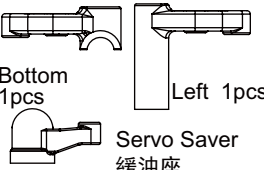

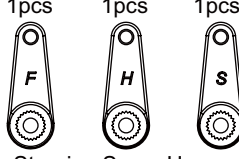
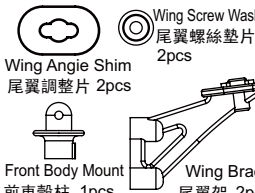

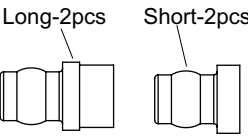


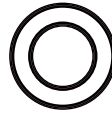

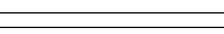
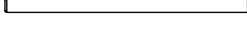
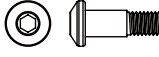
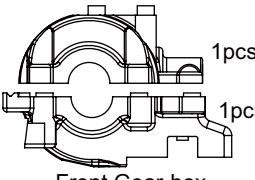
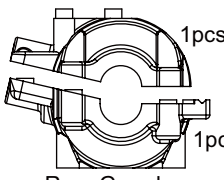
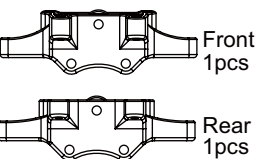
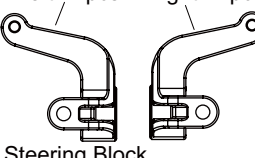

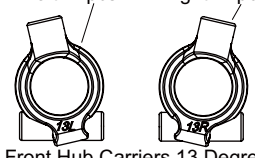
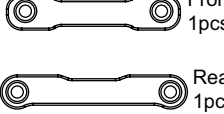
TS4036



Front shock spring
前避震彈簧 2pcs

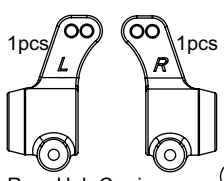
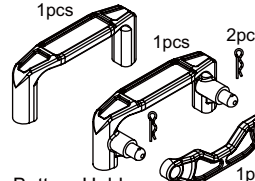
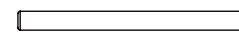
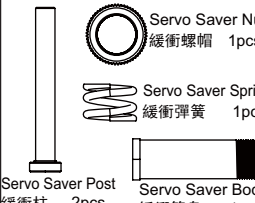
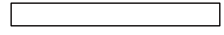
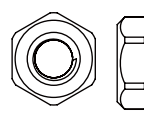
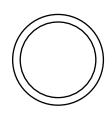
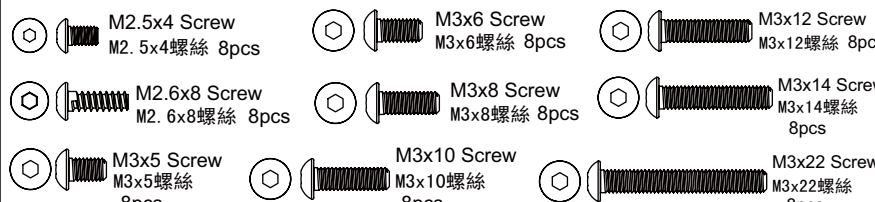
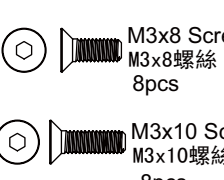
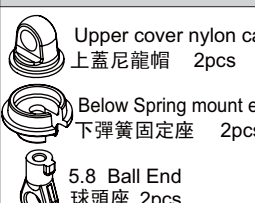
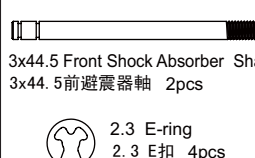

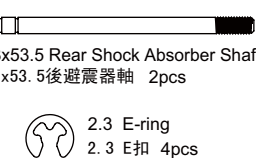
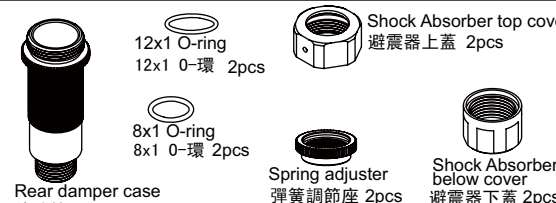
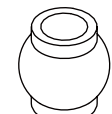
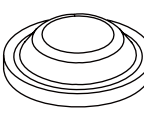

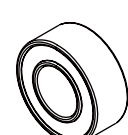
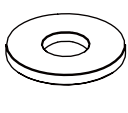
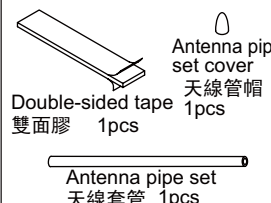




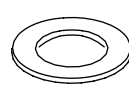

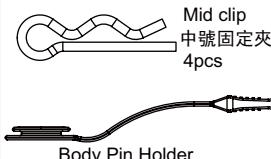

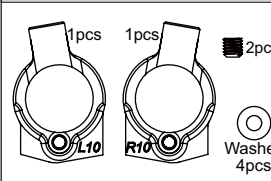
Rear shock spring
後避震彈簧 2pcs

Parts list for TS4 1/10 4WD Short-Course-2 TS4 1/10 四驅短途卡車配件包-2

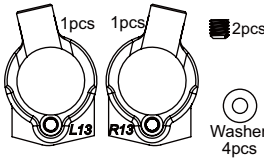
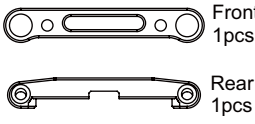
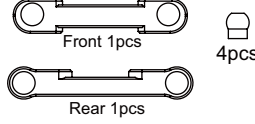


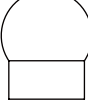
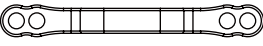
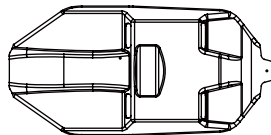
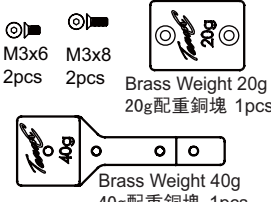

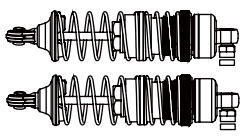
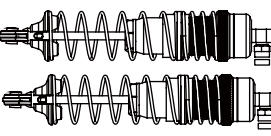
<p>TS4039</p>  <p>Gear Set 齒輪組</p>	<p>TS4040</p>  <p>3.0 E-ring 3.0 E扣 2pcs</p> <p>Diff Connecting Cup 差速接杯 2pcs</p>	<p>TS4041</p>  <p>1.6 1pcs 1.8 1pcs 2.0 1pcs</p> <p>Swaybar 防傾桿</p>	<p>TS4042</p>  <p>Ball stud-long 球頭-長 6pcs</p>	<p>TS4043</p>  <p>Ball stud-short 球頭-短 6pcs</p>
<p>TS4044</p>  <p>Upper deck column 二樓板柱 2pcs</p>	<p>TS4045</p>  <p>M3x12 Screw - Versa tooth M3x12螺絲-反牙 8pcs</p>	<p>HLM4FS</p>  <p>M4 Locknut with flange-Silver M4帶邊防松螺母-銀色 4pcs</p>	<p>T04040</p>  <p>4.8x1.6 O-ring 1pcs 4.8x1.6 O環 1pcs</p> <p>M2.5x6 Screw 4pcs M2.5x6螺絲 4pcs</p> <p>Diff Housing 差速殼 1pcs</p> <p>Diff Pads 差速墊片 1pcs</p>	<p>T04041</p>  <p>16T Gear 1pcs 16T齒輪 1pcs</p> <p>4.8x1.6 O-ring 1pcs 4.8x1.6 O環 1pcs</p> <p>10x12x0.2 Washer 2pcs 10x12x0.2墊片 2pcs</p> <p>40T Gear 1pcs 40T齒輪 1pcs</p>
<p>TS2008</p>  <p>Rear Fender Plates 1Set 後擋泥板</p>	<p>TS2026</p>  <p>Rear Bumper Set-B 後防撞組-B</p>	<p>TS2028</p>  <p>Rim 輪框 2pcs</p>	<p>H393</p>  <p>13T Pinion Gear 13T馬達齒 1pcs</p> <p>M4x4 Screw 1pcs M4x4 螺絲 1pcs</p>	<p>T04002</p>  <p>Front - 1pcs 2pcs</p> <p>Rear - 1pcs</p> <p>Front Arm Mount 前擺臂固定座</p>
<p>T04003</p>  <p>Top - 1pcs Bottom 1pcs Left 1pcs</p> <p>Servo Saver 緩沖座</p>	<p>T04004</p>  <p>Steering Rack 緩衝連接板 1pcs</p>	<p>T04006</p>  <p>1pcs 1pcs 1pcs F H S</p> <p>Steering Servo Horn 轉向伺服臂</p>	<p>T04012</p>  <p>Wing Screw Washer 2pcs 尾翼螺絲墊片 2pcs</p> <p>Wing Angle Shim 2pcs 尾翼調整片 2pcs</p> <p>Front Body Mount 1pcs 前車殼柱 1pcs</p> <p>Wing Brack 2pcs 尾翼架 2pcs</p>	<p>T04014</p>  <p>4.8mm Ball End - Long 4.8mm球頭座-長 7pcs</p>
<p>T04015</p>  <p>Long-2pcs Short-2pcs</p> <p>Shock cap ball 避震蓋球頭</p>	<p>T04024</p>  <p>3x40 Turnbuckle 5pcs 3x40拉桿 5pcs</p> <p>3x45 Turnbuckle 2pcs 3x45拉桿 2pcs</p>	<p>T04028</p>  <p>Front Bearing Collar 前輪軸套 2pcs</p> <p>Rear Bearing Collar 後輪軸套 2pcs</p>	<p>T04031</p>  <p>4x7x2.5 Ball Bearing 4x7x2.5軸承 6pcs</p>	<p>T04032</p>  <p>2x9.8 Pin 2x9.8鋼針 6pcs</p>
<p>T04034</p>  <p>3x48.5 Arm Pin 3x48.5 擺臂軸 2pcs</p>	<p>T04035</p>  <p>3x51 Arm Pin 3x51 擺臂軸 2pcs</p>	<p>T04038</p>  <p>M3 Screw M3螺絲 6pcs</p>	<p>TR4002</p>  <p>1pcs 1pcs</p> <p>Front Gear-box 前齒輪箱</p>	<p>TR4003</p>  <p>1pcs 1pcs 1pcs</p> <p>Rear Gear-box 後齒輪箱</p>
<p>TR4004</p>  <p>Front 1pcs Rear 1pcs</p> <p>Upper Suspension Arm Mount 上擺臂座</p>	<p>TR4006</p>  <p>Left - 1pcs Right - 1pcs</p> <p>Steering Block 轉向臂</p>	<p>TR4007</p>  <p>Left - 1pcs Right - 1pcs</p> <p>Front Hub Carriers 10 Degree 前輪座10°</p>	<p>TR4008</p>  <p>Left - 1pcs Right - 1pcs</p> <p>Front Hub Carriers 13 Degree 前輪座13°</p>	<p>TR4010</p>  <p>Front 1pcs Rear 1pcs</p> <p>Rear Arm Mount 後擺臂固定座</p>

Parts list for TS4 1/10 4WD Short-Course-3

TS4 1/10 四驅短途卡車配件包-3

<p>TR4011</p>  <p>1pcs L 1pcs R Rear Hub Carriers 後輪座 4pcs</p>	<p>TR4019</p>  <p>1pcs 1pcs 2pcs 1pcs Battery Holder 電池支架</p>	<p>TR4046</p>  <p>2.5x30 Arm Pin 2.5x30擺臂軸 2pcs</p>	<p>TR4049</p>  <p>Servo Saver Nut 緩衝螺帽 1pcs Servo Saver Spring 緩衝彈簧 1pcs Servo Saver Post 緩衝柱 2pcs Servo Saver Body 緩衝筒身 1pcs</p>	<p>TR4053</p>  <p>Velcro Tape 魔鬼粘 1 Set</p>	
<p>TR4055</p>  <p>M3 Nut M3螺帽 6pcs</p>	<p>TR4057</p>  <p>8pcs 10x12x0.2 Washer 10x12x0.2墊片</p>	<p>TR4059</p>  <p>M2.5x4 Screw M2.5x4螺絲 8pcs M2.6x8 Screw M2.6x8螺絲 8pcs M3x5 Screw M3x5螺絲 8pcs M3x6 Screw M3x6螺絲 8pcs M3x8 Screw M3x8螺絲 8pcs M3x10 Screw M3x10螺絲 8pcs M3x12 Screw M3x12螺絲 8pcs M3x14 Screw M3x14螺絲 8pcs M3x22 Screw M3x22螺絲 8pcs</p>			
<p>TR4058</p>  <p>M3x8 Screw M3x8螺絲 8pcs M3x10 Screw M3x10螺絲 8pcs</p>	<p>T02031</p>  <p>Upper cover nylon cap 上蓋尼龍帽 2pcs Below Spring mount end 下彈簧固定座 2pcs 5.8 Ball End 球頭座 2pcs</p>	<p>TG2013</p>  <p>3x44.5 Front Shock Absorber Shaft 3x44.5前避震器軸 2pcs 2.3 E-ring 2.3 E扣 4pcs</p>	<p>TG2025</p>  <p>Front damper case 前油筒 2pcs 12x1 O-ring 12x1 O-環 2pcs 8x1 O-ring 8x1 O-環 2pcs Shock Absorber top cover 避震器上蓋 2pcs Spring adjuster 彈簧調節座 2pcs Shock Absorber below cover 避震器下蓋 2pcs</p>		
<p>TG2014</p>  <p>3x53.5 Rear Shock Absorber Shaft 3x53.5後避震器軸 2pcs 2.3 E-ring 2.3 E扣 4pcs</p>	<p>TG2026</p>  <p>12x1 O-ring 12x1 O-環 2pcs 8x1 O-ring 8x1 O-環 2pcs Rear damper case 後油筒 2pcs Shock Absorber top cover 避震器上蓋 2pcs Spring adjuster 彈簧調節座 2pcs Shock Absorber below cover 避震器下蓋 2pcs</p>			<p>T02062</p>  <p>5.8x6 Ball stud 5.8x6球頭 4pcs</p>	
<p>T02073</p>  <p>Diaphragm 氣室 4pcs</p>		<p>T02099</p>  <p>10x15x4 Ball Bearing 10x15x4 軸承 6pcs</p>	<p>T02100</p>  <p>5x10x4 Ball bearing 5x10x4軸承 6pcs</p>	<p>T02081</p>  <p>3x7x0.8 Washer 3x7x0.8墊片 10pcs</p>	<p>T02087</p>  <p>Antenna pipe set cover 天線管帽 1pcs Double-sided tape 雙面膠 1pcs Antenna pipe set 天線套管 1pcs</p>
<p>T08228</p>  <p>M3x10 Set screw M3x10機米螺絲 8pcs</p>	<p>T08795</p>  <p>M3x18 Button head hex screw M3x18半圓頭內六角螺絲 8pcs</p>	<p>T08807</p>  <p>M3x15 Flat head hex screw M3x15平頭內六角螺絲 8pcs</p>	<p>T08814</p>  <p>M3x5 Set screw M3x5機米螺絲 8pcs</p>	<p>86000</p>  <p>5.1x8x0.2 Washer 5.1x8x0.2墊片 6pcs</p>	
<p>87004</p>  <p>M3 Nylon Nut M3尼龍螺母 6pcs</p>	<p>H135B</p>  <p>Mid clip 中號固定夾 4pcs Body Pin Holder 車殼固定夾座 4pcs</p>	<p>511190</p>  <p>Small clip 小號固定夾 10pcs</p>	<p>TU0410 OP</p>  <p>1pcs 1pcs 2pcs Front Hub Carriers 10 Degree 前輪座10° Washer 4pcs</p>		

Parts list for TS4 1/10 4WD Short-Course-4 TS4 1/10 四驅短途卡車配件包-4

<p>TU0413 OP</p>  <p>1pcs 1pcs 2pcs Washer 4pcs Front Hub Carriers 13 Degree 前輪座13°</p>	<p>TU0416 OP</p>  <p>Front 1pcs Rear 1pcs Front Arm Mount 前擺臂固定座</p>	<p>TU0418 OP</p>  <p>Front 1pcs 4pcs Rear 1pcs Rear Arm Mount 後擺臂固定座</p>	<p>TU0418 OP</p>  <p>Front Upper Arm Mount 前上擺臂座 1pcs</p>	<p>TU0422 OP</p>  <p>2pcs Washer 4pcs Rear Hub Carriers 後輪座 2pcs</p>
<p>TU0423 OP</p>  <p>8pcs Rear Arm Mount-Ball 後擺臂固定座-球珠</p>	<p>TU0424 OP</p>  <p>Steering Rack 緩衝連接板 1pcs</p>	<p>TU0430 OP</p>  <p>Dust proof cover-Lexan 防塵罩-PC 1pcs</p>	<p>TS411 OP</p>  <p>M3x6 2pcs M3x8 2pcs Brass Weight 20g 20g配重銅塊 1pcs Brass Weight 40g 40g配重銅塊 1pcs</p>	<p>TC1002 OP</p>  <p>Short Course Racing Tyre - Soft 短途卡車胎-軟</p>
<p>TU0276 OP</p>  <p>12mm Front Big Bore 12mm前大避震</p>	<p>TU0278 OP</p>  <p>12mm Rear Big Bore 12mm後大避震</p>			

TS4

SETUP SHEET for the TeamC TS4

Driver _____

Track / City _____

Event _____ Date ____ / ____ / ____

Conditions

- Smooth Bumpy Low traction Med traction High traction
 Sandy Soft dirt Grass Hard soil Clay Wet Dry Dusty Other

Front Suspension Shock Mounting&Camber link

Anti-roll bar: _____ mm
 Camber _____ °
 Washers _____ mm
 Toe-in (+)/Out (-) _____ °
 Bump Step Spacer _____
 Caster
 10°
 13°
 Ride height _____

Front Shocks

Spring(color)
 Black

 Oil _____ wt
 Piston # _____
 mm

Rear Suspension Shock Mounting&Camber link

Anti-roll bar: _____ mm
 Camber _____ °
 Wheelbase
 Long
 Medium
 Short
 Ride height _____

Rear Shocks

Spring(color)
 Black

 Oil _____ wt
 Piston # _____
 mm

Front Tires&Wheels

Front Tires _____
 Inserts _____ Wheels _____

Rear Tires&Wheels

Rear Tires _____
 Inserts _____ Wheels _____

Batteries

Servo _____
 Esc _____
 Batteries _____

Motor

Motor _____
 Pinion/Spur _____ / _____

Comments

Notes _____



www.teamcracing.net